



www.glmmarine.com



Marine Parts Catalog

High Quality Replacement Parts for:

MerCruiser, Mercury/Mariner/Force,
OMC/Volvo Penta, Johnson/Evinrude & Yamaha



GLM Products, Inc. is committed to producing the highest quality and cost efficient aftermarket marine products in the industry. At GLM, we use only the highest quality materials and most advanced technology for our product line, enabling us to produce the most reliable and compatible products for the marine aftermarket parts industry.

GLM offers an exciting line of exceptional products, which are brand new from factory and compatible and interchangeable with OEM application. Our in-house design and engineering teams enable us to make improvements on original OEM materials and designs. At GLM, we strive to include all new advancements, improvements, and superior materials with the ever-changing world of technology.

Consider the many additions to GLM's line over the past several years. No other aftermarket manufacturer can compare with our variety of products being offered that GLM has developed and re-designed. When you invest in a GLM product, you can be assured that you are receiving the highest quality aftermarket marine part available. GLM's innovation and exclusive aftermarket products keep us the only source for all your boat repair or maintenance needs.

At GLM Products, Inc. we deliver the highest quality and most complete line of over 4,000 aftermarket marine parts sold worldwide. At GLM, we are...

...the Leader of the Aftermarket Marine Parts Industry!



Contents of this catalog are copyrighted. Reproduction of any or all of its contents is prohibited. We have prepared this catalog to provide you with information that is helpful and accurate as possible. Although care has been taken to assure the accuracy of the data presented in this catalog, GLM Products, Inc. does not assume any liability for errors or omissions. All illustrations, photos, etc. used in this catalog are intended as representative views for reference only. MerCruiser and Mercury/Mariner/Force are registered trademarks of the Brunswick Corporation; OMC Cobra and OMC Stringer are registered trademarks of Outboard Marine Corporation; Volvo Penta is a registered trademark of AB Volvo; Johnson/Evinrude are registered trademarks of Bombardier Motor Corporation of America; Yamaha is a registered trademark of Yamaha Motor Company, U.S.A.; GLM is a registered trademark of GLM Products, Inc. Copyright © 2017.

GLM Products, Inc.

Table of Contents

GLM MANIFOLD SECTION		MerCruiser Drive Shaft Housing - Upper	
MerCruiser Manifolds	13	MerCruiser Drive Shaft Housing - Upper	63
MerCruiser - Exhaust Manifold Dimensions	13	Drive Shaft Housings - Complete Assemblies	63
MerCruiser - Inline 4, 181 CID (1990 & Up)	14-15	Drive Shaft Housings - Empty	63
MerCruiser - Inline 4, 153/181 CID (1982-95)	16-17	Drive Shaft Housing Exploded - Alpha One Gen II (91-97)	64-65
MerCruiser - Inline 4, 181 CID (1968-82)	18-19	Drive Shaft Housing Exploded - Alpha One Gen II (98+)	66-67
MerCruiser - Inline 4, 224 CID (1980-89)	20-21	Drive Shaft Housing Exploded - R / MR / Alpha One	68-69
MerCruiser - V6, 229/262 CID (1983 up to 0M)	22-23	Drive Shaft Housing Exploded - Bravo	70-71
MerCruiser - V6 & V8 S.B. Dry Joint Alternative (0M & Up)	24-25	Drive Shaft Housing Service Kits	72
MerCruiser - V8 S.B., 305/350/377 CID (1983 up to 0M)	26-27	Drive Shaft Housing Gear Sets	72
MerCruiser - V8 B.B., 454/502 CID (1981 & Up)	28-29	Yoke & U-Joint Service Kits	72
MerCruiser - Complete Manifold & Conversion Kits	30	Drive Shaft Housing Universal Joint Assembly	72
MerCruiser - Exhaust Flapper Valves, Shutters & Bellows	31	Drive Shaft Housing U-Joints, Yokes & Socket	72
MerCruiser - Cast Iron Spacer Kits & Spacers	31	Drive Shaft Housing Gear Set Applications	73
MerCruiser - Exhaust Gasket Sets	32	Universal Joint Applications	73
MerCruiser - Manifold Adapter Plate Kit	32	Drive Shaft Housing Seal Kits & U-Joint Seal Carriers	74
MerCruiser - Manifold Mounting Kits & Manifold Gaskets	32	Drive Shaft Housing Mounting Kits	74
MerCruiser - Exhaust Elbow Mounting Kits & Adapter Plate	32	Drive Shaft Housing Seal Kits & Seal Carrier Applications	74
MerCruiser - Exhaust Elbow Gaskets	33	Drive Shaft Housing Shim Kits	75
MerCruiser - End Caps & End Cap Screws	33	Stern Drive Shim Applications	75
MerCruiser - End Cap Gaskets	33	Drive Shaft Housing Bearings & Applications	76
MerCruiser - GLM Manifold Applications	33-36	Upper Drive Shaft Identification & Applications	77
		Upper Drive Shaft Housing Oil Seals	77
		Upper Drive Shaft Housing Components	77-78
OMC Manifolds	37	MerCruiser Gearcase - Lower	79
OMC - Exhaust Manifold Dimensions	37	Complete Gearcase (Lower) Assemblies	79
OMC - 4-Cyl., 181 CID (1991 & Up)	38	Gearcases (Lower) - Empty	79
OMC - 4-Cyl., 181 CID (1973-90)	39	Complete Gearcase Assembly Kit - Alpha One Gen II	79
OMC - V6, 262 CID (1986 & Up)	40	Gearcase Rebuild Kits (w/out housing)	79
OMC - V8 S.B., GM 350 CID (1989 & Up)	41	Gearcase Exploded Views - Alpha One Gen II	80-81
OMC - V8 S.B., 305/350 CID (1979-89)	42	Gearcase Exploded Views - MR & Alpha One	82-83
OMC - V8 B.B., 454/502 CID (1991 & Up)	43	Gearcase Exploded Views - MC-1 & R	84-85
OMC - V8 S.B. - FORD, 302/351 CID (1991 & Up)	44	Gearcase Exploded Views - Bravo I & II	86-87
OMC - Complete Manifold, Hi-Rise & Conversion Kits	45	Gearcase Exploded Views - Bravo III	88-89
OMC - Adapter Plate, Exhaust Bellows/Hoses, Flapper Valves	46	Gearcase Seal & Bearing Kits (with & w/out Gears)	90
OMC - Exhaust Manifold Gaskets & Hardware Kits	46	Gearcase Seal Kits	90
		Gearcase Seal & Bearing Kit / Seal Kit Application	90
		Gearcase Gear Sets - Alpha One Gen II	91
		Gearcase Gear Sets - MC-1 / R / MR / Alpha One	91
		Gearcase Gear Set & Clutch Dog Application	91
		Gearcase Ball, Needle Roller & Tapered Roller Bearings	92
		Bearing Carrier Assy., Tab Washers, Cover Nuts & Key	92
		Bearing Carrier Application	92-93
		Gearcase Bearing Application	93
		Gearcase Shim Kits & Stern Drive Shim Application	94
		Lower Drive Shaft, Prop Shaft & Shift Shaft	95
		Lower Drive Shaft, Prop Shaft & Shift Shaft Application	95
		Prop Tools & PropService Kits & Components	95
		Gearcase Components	96
Volvo Penta Manifolds	46	MerCruiser Transom & Power Trim	97
Volvo Penta - Exhaust Manifold Dimensions	46-47	Bell Housing Exploded - Alpha One Gen II	97
Volvo Penta - 4-Cylinder, 181 CID (1994 & Up)	48	Bell Housing Exploded - MC-1 / R / MR / Alpha One	98
Volvo Penta - V6, AQ 175-434 (1993-Before)	49	Bell Housing Exploded - Bravo	99
Volvo Penta - V6, 262 CID (1994 & Up)	50	Gimbal Hsg. w/Ring Exploded - MC-1 / R / MR / Alpha One & Gen II	100
Volvo Penta - V8 S.B., 305/350 CID (1994 & Up)	51	Gimbal Hsg. w/ Ring Exploded - Bravo	101
Volvo Penta - V8 S.B., 305/350 CID (1993 & Before)	52	Transom Plate & Shift Cable Exploded	102
Volvo Penta - V8 B.B., 454/502 CID (1994 & Up)	53	Transom Service Kits	103
Volvo Penta - V8 S.B. FORD 302/351 CID (1994 & Up)	54	Bell Housing Gasket Sets & O-rings	103
Volvo Penta - Complete Manifold, Hi-Rise & Conversion Kits	55	Transom Seals	103
Volvo Penta - Adapter Plate, Ex. Bellows/Hoses, Flapper Valves	56	Water Hoses, Insert & Driver Kit, Plug Kit	103
Volvo Penta - Exhaust Manifold Gaskets & Hardware Kits	56	Exhaust Flapper Valves & Water Shutters	103
		Exhaust Bellows, Clamps, Sleeves & Sleeve Installer	103
		Gimbal Bearing, Tolerance Ring & Gimbal Bearing Seal	104
		Transom Components Application	104
Barr Indmar Marine Power Manifolds	57		
BR / IN / MP - Exhaust Manifold Dimensions - FORD V8 S.B.	57		
BR / IN / MP - Complete Exhaust Manifold Kit - FORD V8 S.B.	57		
BR / IN / MP - Exhaust Manifold Gasket/Hardware Kits	57		
BR / IN / MP - V8 S.B., 305/350 CID	58		
BR / IN / MP - V8 B.B., 454/502 CID	59		
BR / IN / MP - FORD V8 S.B. 302/351 CID	60		
MERCUISER SECTION	61		
MerCruiser Replacement Sterndrives Complete	62		
Sterndrive Unit Applications	62		
Alpha One Generation II Complete	63		
MR / Alpha One Sterndrives Complete	63		

Table of Contents

MerCruiser Transom & Power Trim cont...		97	MerCruiser Ex. Bellows & Clamps, Ex. Gaskets		124
	Bellows Application	104		Exhaust Bellows & 316 Hose Clamps	124
	Shift Cable Kits & Components	105		End Cap Gaskets	124
	Shift Shafts	105		Exhaust Elbow Gaskets	125
	Shift Lever Kit & Components - MC-1 / R / MR / Alpha One & Gen II	105		Exhaust Manifold Gasket Sets	125
	Shift Shaft Bushing Kits	105		Exhaust Manifold Gaskets	125
	Shift Cable Slide & Set Screw	105		Exhaust Manifold, Elbow & Gasket Application	125-127
	Guide Set & Components	105	MerCruiser Fuel Filters, Carb. Parts, Fuel Pumps 128		
	Control Box Lever & Cam	105		Water Separating Fuel Filter Kits	128
	Motor Mount Kits & Components	105		Water Separating Fuel Filters	128
	Engine Couplers & Application	106		Water Separating Fuel Filter Brackets	128
	Power Trim Cylinder Exploded - Alpha One Gen II	107		Carburetor Fuel Filters	129
	Power Trim Cylinder Exploded - R / MR / Alpha / Bravo	108		Fuel Pump Filter Kit & Gaskets	129
	Power Trim Cylinder Exploded - MC-1 (1970-1980)	109		One & Four Barrel Carburetor Kits	129
	Power Trim Cylinders - Complete	110		Two Barrel Carburetor Kits	129
	Power Trim Cylinder Shells & End Caps	110		Carburetor Mounting Gaskets	129
	Power Trim Cylinder Overhaul, O-ring & Seal Kits	110		Inlet Needle & Seats	129
	Power Trim Cylinder Service Kit & Housing Kit - MC-1	110		Carburetor Floats	130
	Trailer Clips	110		VST (Vapor Separator Tank) O-ring Kit & Application	130
	Power Trim Cylinder Application	110		Carburetor Repair Kits & Components Application	130-133
	Trim Cyl. & Hydraulic Hoses Exploded - Alpha One Gen II	111	MerCruiser Ignition & Electrical, Alternator Bracket 134		
	Trim Cyl. & Hydraulic Hoses Exploded - R / MR / Alpha One	112		Thunderbolt IV/V Distributor Assembly Exploded View	134
	Trim Cyl. & Hydraulic Hoses Exploded - Bravo	113		Thunderbolt IV/V Distributor - V6 & V8 Completes	134
	Trim Cyl. & Hydraulic Hoses Exploded - MC-1 (1979-1980)	114		Thunderbolt IV/V Cap Rotor Kits & Components	134
	Trim Connector Kit & Components, Trim Hose Assembly	114		Thunderbolt IV/V Distributor Components	134
	P. T. Ram Bushing Kits & Components - Alpha One Gen II	115		Late Style Delco EST Cap Rotor Kits & Components	135
	P. T. Ram Bushing Kits & Components - R / MR / Alpha One	115		Late Style Delco EST Module & Pick-Up Coil Sensor	135
	P. T. Ram Bushing Kits & Components - Bravo	115		Late Style Delco EST E-Core Coils	135
	P. T. Ram Bushing Kits & Components - MC-1 (1970-1982)	115		Standard Ignition - Tune-Up Kits	135
	Power Trim Ram Bushings, Pins & Kits Application	115		Standard Ignition - Caps & Rotors	135
MerCruiser Sterndrive - Aluminum Anodes 116		116		Standard Ignition - Points & Condensers	136
	Aluminum Anodes Kits	116		Solenoids & Starter Solenoids	136
	Prop Nut Aluminum Anodes Kits	116		Voltage Regulators & Alternator Bracket	136
	Aluminum Anodes - Trim Tabs for D.S. Housing	116		Ignition Coils	136
	Aluminum Anodes - Prop Shaft Carrier & Trim Cylinders	116		GLM to OEM (Points, Condensers, Rotors & Caps)	136
	Aluminum Anodes - Upper Drive Shaft Housing	116		Dist. Assy. Components Application - Electronic Ignitions ...	137-139
	Aluminum Anodes - Transom & Gimbal Housing	116		Standard Ignition Applications	140-141
MerCruiser Cooling - Thermo. & Water Pumps 117		117	MerCruiser Gaskets, Seals & Engine Kits 142		
	Thermostat Housing Kit & Components - 305/350 CID	117		Engine Overhaul Gasket Kits	142
	Thermostat Housing Kit & Components - 454/502 CID	117		Cylinder Head Gasket Kits	142
	Thermostat Housings & Covers	117		Intake Manifold Gasket Sets	142
	Lifting Eye for Thermostat Housing	117		Head Gaskets	142
	T-Valve Assy & Check Ball Kit - R/MR/Alpha One	117		Valve Cover & Lifter Side Cover Gaskets	143
	Thermostat Sleeve, Washer & Screw	117		Timing Chain Cover Gaskets	143
	Thermostat Kits 140° & 160°	118		Oil Pan Gaskets	143
	Thermostats 140° & 160°	118		Gaskets	143
	Thermostat Gaskets & O-ring	118		Crank Shaft Seals - One Piece	144
	Thermostat Kit & Components Application	118-121		Crank Shaft Seals - Two Piece	144
	Recirculating Water Pumps	122		Engine Overhaul Gasket Kits & Components Application ..	144-147
	Recirculating Water Pump Gaskets & Gasket Kits	122	MerCruiser Marine Service Tools 148		
	Sea Water Pump Assembly - Belt Driven	122		Bearing Retainer Wrench	148
	Sea Water Pump Bearing Housing Assembly	122		Drive Gear & Driven Gear Shimming Tools	148
	Sea Water Pump Cover & Pulley Kits	122-123		Shift Cable Tools	148
	Sea Water Pump Service Kits & Components	123		Engine Alignment Tool	148
	Water Pump & Outdrive Seal Kits	123		Hinge Pin Tool	148
	Complete Sea Water Pump Kits - Drive Mounted	123		Bellows Expander Tool	148
	Sea Water Pump Impeller Service Kits - Drive Mounted	123		Bellow Sleeve Installer	148
	Upper Sea Water Pump Hsg. Impeller Kit - Drive Mounted	123		Pinion Nut Adaptor Kit	149
	Sea Water Pump (Drive Mounted) Application	123		Pinion Gear Shimming Tool	149
	Sea Water Pump Components - Alpha One Gen II	124		Drive Shaft Adaptor	149
	Sea Water Pump Components - MC-1 / R / Alpha One	124			

GLM Products, Inc.

Table of Contents

MerCruiser Marine Service Tools cont...	148	MMF Gearcase Shift Components cont...	182
Prop Shaft / Drive Shaft Adaptor	149	Shift Components - 50, 60-125 HP (3 & 4-Cyl.)	186
Bearing Carrier Retainer Wrenches	149	Shift Components - L4, L6 & V6	186
Drive Shaft Bearing Retainer Wrench	149	Shift Components - V6 (3.0L)	186
Shift Shaft Bushing Tool	149	Shift Components Application	186-188
Pinion Bearing Removal & Installation Tool Assy. Kit	150	MMF Prop Shaft Components, Hardware & Tools	188
P.B. Installation Tool, Driver Head, Puller Rod & Spacer	150	Bearing Carrier Cover Nuts, Tab Washers & Application	188
Universal Puller Plate	150	Prop Shaft Identification	189
Prop & Bearing Carrier Puller	150	Prop Shaft Components - 25, 30, 40, 50 HP (2 & 3-Cyl.)	189
Prop Wrench Kits & Prop Wrenches	150	Prop Shaft Components - 35-70 HP (2, 3 & 4-Cyl.)	189
MerCruiser Oil Seal & O-ring Charts, Model/Year/SN#	151	Prop Shaft Components - 50, 55, 60 HP (3-Cyl.)	189
Oil Seals Shaft & Bore Size	151	Prop Shaft Components - 55, 60-120 HP (3 & 4-Cyl.)	189
Oil Seal Applications	152	Prop Shaft Components - L4, L6 & V6 (65-225 HP)	190
Drive Shaft Housing Seals Applications	152	Prop Shaft Components - V6 3.0L (200 DFI, 225 Carb., 225 & 250 EFI)	190
O-Rings Size Chart	153	Prop Hardware - 6-15 HP (1 & 2-Cyl.)	190
Model/Year/Serial Number - Gasoline Engines	154-155	Prop Hardware - 18-25 HP (2-Cyl.)	190
Model/Year/Serial Number - Inboard Gasoline Engines	156	Prop Hardware - 30-75 HP (2, 3 & L4-Cyl.)	190
Model/Year/Serial Number - Inboard Diesel Engines	156	Prop Hardware - 60-120 HP (Inline 4-Cyl.)	191
Model/Year/Serial Number - Sterndrives	156	Prop Hardware - 70-275 HP (L4 & V6)	191
MERCURY MARINER FORCE SECTION	157	Prop Puller, Prop Wrench Kits & Prop Wrenches	191
MMF Gearcase Exploded Views	158	Prop Kits & Hardware Applications	191
MMF Gearcase - 3.9, 4, 4.5, 6, 7.5, 9.8 HP	158-159	MMF Upper Drive Shaft Components	192
MMF Gearcase - 6, 8, 9.9, 10, 15 HP	160-161	Upper Drive Shaft Identification (20" Transom)	192
MMF Gearcase - 18XD, 20, 25 HP	162-163	Drive Shaft Components - Pre-Load Pin Type	192
MMF Gearcase - 25 HP (4S), 30 HP (2-Cyl.), 40 HP, 50 HP (2 & 3-Cyl.)(2 & 4-Stroke)	164-165	Drive Shaft Components - Retaining Nut Type	192
MMF Gearcase - 35-70 HP (2, 3 & 4-Cyl.)	166-167	Drive Shaft Components - Non-Retaining Nut Type	192
MMF Gearcase - 50, 55, 60 HP (3-Cyl.)(2-Stroke)	168-169	Drive Shaft Components - Alpha Gearcase L4, L6 & V6 (65-225 HP)	192
MMF Gearcase - 40, 50, 60 HP EFI (4-Cyl.)(4-Stroke)	168-169	Drive Shaft Components - Late Alpha Gearcase V6 3.0L	193
MMF Gearcase - 30-125 HP (3 & 4-Cyl.)(2 & 4-Stroke)	170-171	MMF Aluminum Anodes & Prop Nut Anode Kits	193
MMF Gearcase - L4, L6 & V6 (65-225 HP)	172-173	Aluminum Prop Nut Anode Kits & Replacement Anodes	193
MMF Gearcase - 3.0L (200 DFI, 225 CARB, 225 & 250 EFI) ...	174-175	Al Anode Kit & Components - 4-Cyl. Verado	193
MMF Gearcase - 4-Stroke Verado	176-177	Al Anode Kit & Components - 6-Cyl. Verado	193
MMF Gearcase Seal & Bearing Kits	178	Al Anode Kit & Components - F40, F40, F60	193
Gearcase Seal Kits - Mercury & Mariner	178	Al Anode Kit & Components - 75, 80, 90, 100, 115 EFI	193
Gearcase Seal Kits - Force	178	Aluminum Anodes	193
Gearcase Seal & Bearing Kits - w/out Forward Bearing	178	Anodes Application	194-196
Gearcase Seal & Bearing Kit Application - Merc & Mar	178-181	MMF Thermostats	197
Gearcase Seal Kit Application - Force	181	Thermostat Kits - 110°, 120°, 130° & 143°	197
MMF Lower Gearcase Gear Sets	182	Thermostats - 110°, 120°, 130° & 143°	197
Gearcase Gear Set - Inline 4 (40, 45, 50 HP)	182	Poppet Valve Kits	197
Gearcase Gear Set - 3-Cylinder 40, 50 HP	182	Thermostat Housing Components	197
Gearcase Gear Set - 3-Cylinder 50, 55, 60 HP	182	Thermostat Kit & Poppet Valve Kit Application	198
Gearcase Gear Set - 3 & 4-Cyl. w/ 3 Jaw Rev. Clutch	182	MMF Water Pumps	199
Gearcase Gear Set - 3 & 4-Cyl. w/ 6 Jaw Rev. Clutch	182	Water Pump Impeller Identification	199
Gearcase Gear Set - Inline 4 w/ 3 Jaw Rev. Clutch	182	Complete Water Pump Housing Kits - 4-Stroke & 2-Stroke	200
Gearcase Gear Set - Inline 4 w/ 6 Jaw Rev. Clutch	182	Water Pump Housing Kits - 4-Stroke & 2-Stroke	200
Gearcase Gear Set - Inline 6 (90-150 HP)	182	Water Pump Impeller Kits - 4-Stroke & 2-Stroke	200
Gearcase Gear Set - V6 135, 150 HP	182	Water Pump Gasket Kits - 2-Stroke	200
Gearcase Gear Set - V6 150, 175, 200 HP w/o Drive Shaft Nut	182	Water Pump Kits Application - Force & Chrysler Only	200
Gearcase Gear Set - V6 150 (XR6, MAG III) 150 EFI, 150 DFI, 175 HP	182	Water Pump Kits Applications - 4-Stroke	201
Gearcase Gear Set - V6 150 (XR4, MAG III) 175, 200, 200 EFI, 220 HP	183	Water Pump Kits Applications - 2-Stroke	202-206
Gearcase Gear Set - V6 225, 250 (3.0L Carb)	183	MMF Pistons	207
Gearcase Gear Set - V6 200, 225 (3.0L DFI), 225, 250 (3.0L EFI) HP	183	GLM Exclusive Marine Pistons w/ Piston Ring Comparison	207
Gearcase Gears Application	183-184	Pistons - Inline 3-Cyl. Optimax DFI - 75, 90, 115HP	207
MMF Gearcase Shift Components	185	Pistons - Inline 4-Cyl. Crossflow - 30-50 HP (1970-02)	207
Shift Components - 25-50 HP (2 & 3-Cyl.)	185	Pistons - 2 & 3-Cyl. Loopcharged - 30-60 HP (1994-02)	207
Shift Components - 35-70 HP (2, 3 & 4-Cyl.)	185	Pistons - Inline 2, 3, 4 & 6-Cyl. Crossflow - 35-150 HP, (1970-90) Low Dome	207
Shift Components - 50, 55, 60 HP (3-Cyl.)	185		

Table of Contents

MMF Pistons cont...	207	MMF Marine Service Tools	245
Piston Designs (DFI, Crossflow, Loopcharged & Four-Stroke).....	208	Pinion Bearing Removal & Installation Tool Assy. Kit	245
Pistons - 3-Cyl. Loopcharged 50-60 HP (1998-02)	208	P.B. Installation Tool, Driver Head, Puller Rod & Spacer	245
Pistons - Inline 3 & 4-Cyl. Loopcharged 65-115 HP (1994-00)	208	Prop & Bearing Carrier Puller	245
Pistons - Inline 3 & 4-Cyl. Loopcharged - 70-115 HP, (1987-93) For use w/ Rod No. 638-8532-1	208	Prop Wrench Kits & Prop Wrenches	245
Pistons - Inline 3 & 4-Cyl. Loopcharged - 70-115 HP, (1987-93) For use w/ Rod No. 646-818846	208	Pinion Nut Adaptor Kit	246
Pistons - 60° V6 Loopcharged - V105-V150 HP (1979-00)	209	Pinion Gear Shimming Tool	246
Pistons - 60° V6 Loopcharged - V175-V225 HP (1978-90)	209	Drive Shaft Adaptor	246
Pistons - 60° V6 Loopcharged - V135-V175 HP (1976-00)	209	Prop Shaft / Drive Shaft Adaptor	246
Pistons - 60° V6 Loopcharged - V140-V200 HP (1991-00)	209	Bearing Carrier Retainer Wrenches	246
Inline 2, 3, 4 & 6-Cyl. Piston Kits & Rings Application	210-211	Drive Shaft Bearing Retainer Wrench	246
60° V6 Piston Kits & Rings Application	212	Shift Shaft Bushing Tool	246
MMF Powerhead Bearing & Seals	213	Universal Puller Plate	246
GLM's Needle & Caged Bearings	213	MMF Oil Seal & O-ring Size Charts	247
Needle Bearing Identification	213	Mercury / Mariner / Force Oil Seals Shaft & Bore Size	247
Powerhead Bearings - Connecting Rod Bearings (Big End)	213	Mercury / Mariner / Force O-Ring Size Chart	248
Powerhead Bearings - Center Bearings	213	OMC VOLVO PENTA SECTION	249
Crankshaft Bearings, Oil Seals & O-rings	213	OMC Cobra SX - Sterndrives (1994 & Up)	250
Powerhead Bearings Application	214-218	Upper Gear Housing - Exploded View (1994 & Up)	250-251
Crankshaft Bearings, Oil Seals & O-rings Application	219-222	Lower Gearcase - Exploded View (1994 & Up)	252-253
MMF Carburetor Kits & Fuel Pumps	223	Transom Assembly - Exploded View (1994 & Up)	254-255
Water Separating Fuel Filter Kits, Filters & Brackets	223	Transom Service Kit	256
Plastic Inline Fuel Filters	224	U-Joint Bellows & Exhaust Bellow - External	256
Transparent Inline Fuel Filters	224	Gimbal Bearing	256
Carburetor Diaphragm & Gasket Kits	224	Thrust Plates, Thrust Plate Shim & Retaining Ring	256
Inlet Needles & Seats	224	Trailer Clips	256
Fuel System Gaskets	224	U-Joint Assembly & Universal Joints	256
Check Valve Kits	225	Yokes & Socket	256
Fuel Pump Diaphragm Kits	225	Gear Housing Seal Kits	256
Fuel System Kits & Components Application	225-229	Bearing Carrier Components	257
MMF Ignition & Electrical	230	Lower Drive Shaft	257
Tune-Up Kits	230	Lower Drive Shaft & Prop Shaft Components	257
Condensers	230	O-rings, Gaskets & Shift Lever Oil Seal	257
Point Sets	230	Prop Shaft	257
Ignition Coils	230	Lower Gear Housing Components	257
Rotor Shaft Bearings	230	OMC Cobra - Upper Gear Housing (1986-1993)	258
Solenoids	230	Sterndrive Unit Application (1986-1993)	258
Power Trim Relay & Rectifier	230	Upper Gear Housing Kits Application (1986-1993)	258
Ignition System Application	231	Prop Shaft Carrier Application (1986-1991)	258
Electrical System Application	232-237	Upper Gear Housings - Complete & Empty	259
MMF Powerhead Gaskets	238	Upper Gear Housing - Assy. & Rebuild Kits	259
Head Gasket Identification - 1, 2, 3 & L4-Cyl.	238	Upper Gear Housing - Exploded View (1986-1993)	260-261
Head Gasket Identification - 60° V6	238	Upper Seal Kit	262
Powerhead Gasket Kits	239	Upper Gear Set Assembly	262
Head Gaskets & Crankcase Gaskets	239	Upper Gear Sets	262
Cylinder Head Seals	239	Lower Bearing Carrier & Components	262
Cylinder Head O-rings	239	Front Bearing Carrier & Components	262
Sound Attenuator Gaskets	239	Water Pump Adapter & Components	263
Powerhead Mounting Gaskets	240	Rear Shims	263
Cylinder Block Cover Gaskets	240	Roller Bearings	263
Reed Block Gaskets	240	Water Pocket Cover & Components	263
Transfer Port Cover Gaskets	241	Thrust Plates, Thrust Plate Shims & Retainer Ring	263
Baffle Plate - Exhaust Manifold Gaskets	241	U-Joint & Water Pump Shaft Assy.	263
V6 Divider Plate Gaskets	241	Yokes, Socket, O-ring & U-Joint	263
Water Jacket Cover Gaskets	241	Cover Assemblies & Dip Stick	263
Miscellaneous Gaskets	241	OMC Cobra - Lower Gearcase (1986-1993)	259
Powerhead Gasket Kit, Head Gasket, O-ring & Seal Application	242-244	Lower Gear Housings - Complete & Empty	259
		Lower Gear Housing - Assy. & Rebuild Kits	259
		Lower Gear Housing - Exploded View (1986-1993)	264-265



GLM Products, Inc.

Table of Contents

OMC Cobra - Lower Gearcase (1986-93) cont...	259	OMC Stringer - Lower Gear Hsg cont...	273
Lower Seal Kits	266	Electric Shift - Shift Cable Assembly	282
Lower Gear Sets	266	Lower Gear Housing - Drive Shafts	282
Prop Shafts	266	Drive Shaft Components	282
Prop Shaft - 4-Cyl. 2.3L (1987-1990), 3.0L (1986-1990)	267	Draing Screw Set	282
Prop Shaft - 4-Cyl. 3.0L (1990), V6 & V8 (1986-1990)	267		
Prop Shaft - ALL (1991-1993)	267	OMC Stringer - Intermediate Housing (1973-85)	283
Shaft & Bearing Housing Kit - 4-Cyl. 2.3L (1987-1990), 3.0L (1986-1990)	267	Intermediate Housing Seal Kits	283
Shaft & Bearing Housing Kit - 3.0L (1990-1993), V6 & V8 (1986-1993)	267	Tilt Housing Seal Kits	283
Shift Shaft Assy - 3.0L (1990-93), V6 & V8 (1986-93)	268	Tilt Housing / Motor Components	283
Cover & Seal Assy. & Components	268	Intermediate Gear Housing - Drive Installation Kits	283
Lower Gear Housing - Drive Shafts	268	Drive Shaft Assembly Components	283
Lower Gear Housing - Drive Shaft Components	268	Ball Gear Kit	283
Water Passage Housing & Components	268	Intermediate Housing - Exploded View (1973-1985)	284-285
Bearing Housing & Components	269	Intermediate Gear Housing Components	286
		Transom Seals	286
		Draing Screw Set (Fill Plug)	286
OMC Cobra - Transom Assembly (1986-1993)	269	OMC Cobra SX, Cobra & Stringer Components	286
Shift Cable Assy. Kit	269	Prop Hardware - 4-Cyl. (1978-1989) & 2.3L (1990)	286
Shift Cable Guide Tube Kit	269	Prop Hardware - 4-Cyl., 3.0L (1990) & V6/V8 (1978-1990)	286
Shift Cable Adjustment Tool Kit	269	Prop Hardware - All (1991-1993)	286
Shift Cable Assembly & Components	269	Prop Hardware - All (1994-1998)	287
Transom Service Kit	269	Aluminum Anode Kit - Gear Housing Cobra (1986-1993)	287
Bellows, Gimbal Bearing & Outdrive Mounting Kit	269	Aluminum Anode Kit - Gear Housing Stringer (1986-1993)	287
Trailer Clips	269	Aluminum Anodes - Upper Gear Housing & Transom	287
Transom Assembly - Exploded View (1986-1993)	270-271	Aluminum Anodes - Lower Gear Housing Cobra (1986-95) & Stringer (1982-1985)	287
		Aluminum Anodes - Prop Shaft Carrier - Cobra (1986-1998) & King Cobra (1990-1995)	287
		Prop Tools - Cobra & Stringer	287
OMC Stringer - Upper Gear Housing (1973-85)	272		
Sterndrive Unit Application - (1973-1985)	272	OMC & Volvo Penta Components	288
Upper Gear Housing Kits Application (1973-1985)	272	Thermostat Kits & Thermostats - 140°, 150° & 160°	288
Upper Gear Housings - Complete & Empty	273	Thermostat Gaskets & O-rings	288
Upper Rebuild Kits & Bearing Retainer Assy. Kits	273	Thermostat Housing	288
Upper Seal Kits	273	Water Heater / Cabin Heater Fitting Kit	288
Upper Gear Housing - Exploded View (1973-1985)	274-275	Recirculating Water Pumps & Gaskets	289
Upper Gear Sets	276	Sea Water Pump - Impeller Kits - Cobra SX (1994 & Up)	289
Ball Gear Kit	276	Sea Water Pump Kits & Components - Cobra (1986-93)	289
Bearing Retainer & Components	276	Water Pump Adapter & Components	289
Rear Shims	276	Sea Water Pump Kits & Components - Stringer (1985 & Below)	290
Roller Bearings	276	Sea Water Pump - Impeller Kits - Volvo AQ	290
Bearing Housing & Components	277	Sea Water Pump Drives - Volvo AQ	290
Cover, O-rings, Screw, Seal & Spring	277	Exhaust Bellows / Hoses	290
Upper Bearing Carrier - Drive Shaft	277	Exhaust Flapper Valves	290
Water Covers, gaskets & Screw	277	Exhaust Manifold Gaskets / Gasket-Hardware Kits	291
Steering Components	277	Exhaust Manifold & Elbow Gaskets	291
		End Cap Gaskets	291
OMC Stringer - Lower Gear Housing (1973-85)	273	Water Separating Fuel Filter Kits, Filters & Brackets	292
Lower Gearcase - Complete & Empty	273	Carburetor & Fuel Pump Fuel Filter Kits	293
Lower Gearcase - Assembly Kit	273	One Barrell Carburetor Kits - Volvo & Carter	293
Lower Gearcase - Seal Kits	273	Holley Carburetor Kits	293
Lower Gearcase - Exploded View (1978-1985)	278-279	Rochester Carburetor Kits	293
Lower Gear Sets	280	Carburetor Mounting Gaskets	293
Prop Shafts	280	Brass Floats & Inlet Needle/Seat	293
Prop Shaft - 4-Cyl. w/ Mechanical Shift (1978-85)	281	Fuel Pump & Fuel Pump Gaskets - Chevy	294
Prop Shaft - V6 & V8 w/ Mechanical Shift (1978-85)	281	Fuel Pump Gasket - Ford	294
Shaft & Bearing Housing Kit - 4-Cyl. w/ Mechanical Shift (1978-85)	281	Carburetor Fuel Filter & Carburetor Kit Applications	294
Shaft & Bearing Housing Kit - V6 & V8 w/ Mechanical Shift (1978-85)	281	Delco EST Cap & Rotor Kits & Components	295
Shift Parts	281	Delco EST Ignition Module & Pick-Up Coil Sensor	295
Lower Bearing Housing & Components	281	Delco EST - E-Core Coil	295
V6 & V8 - Swivel Bearing Retainer (1973-1985)	282	Standard Ignition - Tune-Up Kits	295
Electric Shift - Swivel Bearing Retainer (1965-1977)	282	Standard Ignition - Points & Condensers	295
Electric Shift - Water Tube Grommets & Prop Oil Seal	282	Standard Ignition - Caps & Rotors	296

TOC
Manifolds-Merc.
Manifolds-OMC
Manifolds-Volvo
Manifolds-Barr
MerCruiser
Merc / Mar / For
OMC / Volvo
Johnson / Evin
Yamaha
Index / X-Ref.
Warranty

Table of Contents

OMC & Volvo Penta Components cont... **288**

Ignition Coils, Voltage Regulators & Power Trim Relay 296
 Solenoids 296
 Standard Ignition Components Application 297-298
 Electronic Ignition Distributor Parts Application 298
 Volvo 4-Cyl & 6-Cyl. Ignition Components Application 299
 Distributor Cap Applications 299
 Voltage Regulators, Starter & Trim Solenoids Application 300
 Engine Overhaul & Cylinder Head Gaskets Kits 301
 Intake Manifold Gasket Sets 301
 Valve Cover & Lifter Side Cover Gaskets 301
 Oil Pan & Timing Chain Cover Gaskets 302
 Crank Shaft Seals - One & Two Piece 302
 Gaskets - OMC & Volvo Penta 302

Volvo Penta AQ (1993 & Before) **302**

Lower Gear Housing Seal Kits 302
 Intermediate Gear Housing - Steer Stem Repair Kit & Components 303
 Intermediate Gear Housing - Tilt Bushings & Tilt Components 303
 Intermediate Gear Housing - Drive Cover 303
 Intermediate Gear Housing - Exhaust Bellows 303
 U-Joint Seal Kit & Components 303
 Transom Seal & Top Cover Gaskets 303
 Upper Gear Hsg. - Exploded View (1993 & Before) 304-305
 Lower Gear Hsg. - Exploded View (1993 & Before) 306-307
 Intermediate Gear Hsg. - Exploded View (1993 & Before) ... 308-309
 Transom Assembly - Exploded View (1993 & Before) 310-311

Volvo Penta **312**

Aluminum Anode Kits & Aluminum Anodes 312
 Prop Nut Service Kits & Components 312
 Thrust Rings 312

OMC & Volvo Penta Marine Service Tools **313**

Universal Puller Plate 313
 Prop & Bearing Carrier Puller 313
 Prop Wrenches 313
 Drive Shaft Shimming Tool 313
 Shift Cable Adjustment Tool Kit 313
 Height Gauge for Shift Rod 313
 Spanner Wrench 313
 Pinion Nut Adapter Kit & Drive Shaft Adapters 313
 Engine Alignment Tool 313

OMC & Volvo Oil Seal & O-ring Size Charts **314**

OMC & Volvo Penta - Oil Seals Shaft & Bore Size 314
 OMC & Volvo Penta - Oil Seals Application 315
 OMC & Volvo Penta - O-Ring Size Chart 316

JOHNSON | EVINRUDE SECTION **317**

JohnEvin - Sterndrives & Identification **318**

2 & 3-Cyl. Loopcharged Small Gearcase Identification 318
 2 & 3-Cyl. Loopcharged Large Gearcase Identification 319
 V4 60° & V4 90° Small Gearcase Identification 320
 V4/V6 Large Gearcase Identification - "O" Type & "M" Type 321
 V4 60° Lower Gearcase - Complete & Empty 322
 V4 90° Lower Gearcase - Complete & Empty 322
 V4/V6 "O" Type Lower Gearcase - Complete & Empty 322
 Gearcase Assembly Application 323

JohnEvin - Lower Gearcase Exploded Views **324**

Gearcase Exploded View - 4, 4.5, 5, 6, 7.5, 8 HP (1980 & Up) 324-325
 Gearcase Exploded View - 9.9-15 HP w/ Thru-Prop Exhaust .. 326-327
 Gearcase Exploded View - 20-35 HP w/ Thru-Prop Exhaust ... 328-329
 Gearcase Exploded View - Crossflow-Thru-Cav Plate Exhaust .. 330-331
 Gearcase Exploded View - Loopcharged - Small Gearcase 332-335
 Gearcase Exploded View - Loopcharged - Large Gearcase 336-337
 Gearcase Exploded View - V4 60° (1995-2005) 338-339
 Gearcase Exploded View - V4 90° (1978-1998) 340-341
 Gearcase Exploded View - V4/V6 "O" Type (1979-2006) 342-343
 Gearcase Exploded View - V4/V6 "M" Type (2002-2006) ... 344-345
 Gearcase Exploded View - V6 Hydraulic Shift (1976-1978) 346-347

JohnEvin - Gearcase Assy., Rebuild & Seal Kits **348**

Complete Gearcase Assembly Kits 348
 Gearcase Rebuild Kits w/out Housing 348
 Gearcase Seal Kit - V4/V6/V8 (1978-06) w/ Mech. Shift 348
 Gearcase Seal Kits - Mech. Shift w/ Thru-Prop Exhaust 348
 Gearcase Seal Kits - Electric Shift w/ Cav Plate Exhaust 349
 Gearcase Seal Kits - Elec/Hyd. Shift w/ Thru-Prop Exhaust 349
 Gearcase Seal Kits - Two-Piece Gearcase w/ Cav Plate Ex. 349
 Gearcase Seal Kits Application 349

JohnEvin - Lower Gear Hsg. Gears & Clutch Dog **350**

Lower Gear Sets - 2 & 3-Cyl. Loopcharged 350
 Difference in Engine Designs - V4 & V6, 60° vs. 90° 350
 Lower Gear Sets - V4 60° & V4 90° 351
 Lower Gear Sets - V4 90° "O" Type & V6 Mech/Hyd Shift 351
 Gear Set Application - 2 & 3-Cyl. & V4 352
 Gear Set Application - V6 353

JohnEvin - Gearcase Shift Components **354**

Shift Components - 2-Cyl. Loop (1989-05) Small Gearcase 354
 Shift Components - 2 & 3-Cyl. Loop (1975-88) Small Grcs 354
 Shift Components - 2 & 3-Cyl. Loop (1975-06) Large Grcs 354
 Shift Components - V4 60° & 90° Loop Small Gearcase 354
 Shift Components - V4/V6/V8 "O" Type - Large Gearcase 355
 Shift Components - V4/V6/V8 "M" Type - Large Gearcase 355
 Shift Components Gearcase Gaskets 355
 Cover & Seal Assy. & Components 355

JohnEvin - Prop Shaft Components, Hardware & Tools **356**

Prop Shafts & Identification 356
 Prop Shaft Components - 2-Cyl. Loop (1989-2006) 356
 Prop Shaft Components - 2 & 3-Cyl. Loop (1975-1988) 356
 Prop Shaft Components - 2 & 3-Cyl. Loop (1975-2006) 356
 Prop Shaft Components - V4 90° (1978-1998) 357
 Prop Shaft Components - V4 60° (1995-2006) 357
 Prop Shaft Components - V4/V6/V8 - "M" Type (2002-06) 357
 Prop Shaft Components - V4/V6/V8 - "O" Type (1979-06) 357
 Prop Hardware - 2 & 3-Cyl. Small Grcs. (1972 & Up) 358
 Prop Hardware - 2 & 3-Cyl. Large Grcs. (1975 & Up) 358
 Prop Hardware - V4 Small Grcs. (1973 & Up) 358
 Prop Hardware - V4/V6 "O" Type Large Grcs. (1976-90) 358
 Prop Hardware - V4/V6/V8 - "O" Type Large Grcs. (1991 & Up) 358
 Prop Hardware - 9.9-15 HP (1980-05) 358
 Prop Hardware - 20-35 HP w/ Thru-Prop Exhaust (1980-05) 358
 Prop Thrust Washers & Spline Washers 358
 Prop Nuts & Cotter Pins 359
 Prop Tools 359
 Prop Shaft Application 359
 Prop Hardware Kits & Components Application 359-360



GLM Products, Inc.

Table of Contents

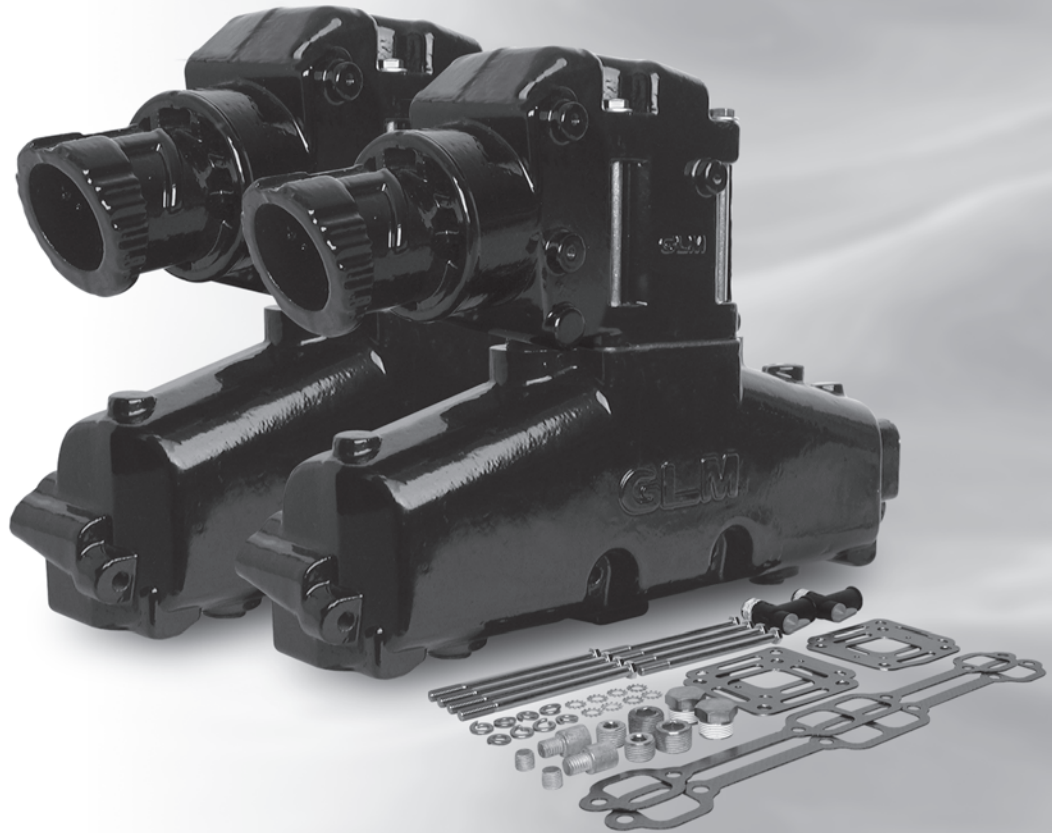
JohnEvin - Upper & Lower Drive Shaft Components 361	JohnEvin - Pistons cont... 375
Upper & Lower Drive Shafts & Identification 361	V6 90° Crossflow Pistons - 175 HP & 235 HP (1980-91) 377
Drive Shaft Components - 2-Cyl. Loop, 40-50 HP, "New" Small Gearcase (1989-2006) 361	V4 60° & V6 60° Loopcharged Pistons - w/ Carburetors 377
Drive Shaft Components - 2-Cyl. Loop, 40-60 HP & 3-Cyl. Loop, 60-75 HP, "Old" Small Gearcase (1975-1988) 361	V4 60° & V6 60° Loopcharged Pistons - w/ Fuel Injection 377
Drive Shaft Components - 2-Cyl. Loop, 40-60 HP (1986-06), 3-Cyl. Loop, 60-75 HP (1975-01) Large Gearcase 361	V4, V6 & V8 90° Loopcharged Pistons - 120-300 HP (1985-87) 378
Drive Shaft Components - V4 60° (1995-06) & V4 90° (1978-98) Small Gearcase 362	V4, V6 & V8 90° Loopcharged Pistons - 120-300 HP (1988 & Up) 378
Drive Shaft Components - "O" Type (1978-2006) & "M" Type (2002-2006) V4 & V6 Large Gearcase 362	V6 90° Loopcharged Pistons - 200 & 225 HP (1993-01) 378
V4/V6 Upper Drive Shaft (Two-Piece) Application 362	2-Cyl. Four-Stroke Pistons 378
V4/V6 Lower Drive Shaft (Two-Piece) Application 362	Piston Kits & Rings Application 379-380
Lower Housing Bearings Application 363-364	JohnEvin - Powerhead Bearings & Seals 381
Oil Seals Application 364-365	Center Bearing Kits 381
Drive Shaft Housing Oil Seals Application 365	Center Bearings 381
JohnEvin - Aluminum Anodes 366	Center Split Sleeve 381
Aluminum Prop Nut Anode Kits & Replacement Anodes 366	Connecting Rod Bearings - Small End 381
Aluminum Anode Kits 366	Connecting Rod Bearings - Big End 381
Aluminum Anodes 366	Main Bearings 381
JohnEvin - Thermostats & Water Pumps 366	Bearing Application 382-383
Thermostat Kits - 143° & 133° 366	Crankshaft Seals Application 384
Thermostats - 143° & 133° 366	JohnEvin - Carburetor Parts & Fuel Filters 385
Thermostat Assembly - 2-Cyl., 25 & 35 HP (1996-2001) 367	Water Separating Fuel Filter Kits, Filters & Brackets 385
Thermostat Assembly - 2 & 3-Cyl. & V4 Loop (1992-2000) 367	Plastic Inline Fuel Filters 386
Thermostat Assembly - V4 Crossflow 367	Transparent Inline Fuel Filters 386
Thermostat Assembly - V6 Crossflow 367	Carburetor Fuel Filters 386
Thermostat Covers & Cover Gaskets 368	Inlet Needle & Seats 386
Thermostat Gaskets 368	Carburetor Gaskets & Components 386
Thermostat & Valve Springs 368	Fuel System Gaskets 386
Thermostat Housing Components 368	Carburetor Service Kits - Needle & Seats Application 387
Water Pump Impeller Identification 369	Fuel Pump Kits 388
Complete Water Pump Hsg. Kits - 15 HP & Below 370	Fuel Pump Components 388
Complete Water Pump Hsg. Kits - 18-40 HP, 2-Cyl. Cross 370	Fuel Pump Kits Application 388
Complete Water Pump Hsg. Kits - 2 & 3-Cyl. Loopcharged 370	JohnEvin - Ignition & Electrical 389
Complete Water Pump Hsg. Kits - V4, V6 & V8 370	Point Sets & Condenser 389
Water Pump Kits Hsg. Kits - V4, V6 & V8 370	Power Trim Relay & Rectifiers 389
Water Pump Kits without Hsg. - 15 HP & Below 370	Point Sets & Condenser Application 389
Water Pump Kits without Hsg. - V4 & V6 (1978 & Before) 370	Power Trim Relay Application 389
Water Pump Kits without Hsg. - V4, V6 & V8 (1979 & After) 370	Rectifier Application 389
Water Pump Impeller Kits - 15 HP & Below 370	JohnEvin - Powerhead Gaskets 390
Water Pump Impeller Kits - V4 & V6 (1978 & Before) 370	1, 2 & 3-Cylinder Head Gasket Identification 390
Water Pump Impeller Kits - V4, V6 & V8 (1979 & After) 370	V4, V6 & V8 Head Gasket Identification 390-391
Water Pump Cups & Wear Plates 371	Head Gaskets 391
Water Pump Housings & Impellers 371	Powerhead Gasket Kits 392
Water Pump Components (Gaskets, Grommets, Seals & Screws) 371	Powerhead Mounting Gaskets 392
Water Pump Kits & Components Application 372-374	Intermediate Housing Exhaust Gaskets 392
JohnEvin - Pistons 375	Exhaust Housing Seals & Crankcase Cover Screw 392
GLM Exclusive Marine Pistons 375	Powerhead Exhaust Gaskets 393
2-Cyl. Crossflow Pistons - 9.9 & 15 HP (1981-82) 375	Powerhead Transfer Port Gaskets 393
2-Cyl. Crossflow Pistons - 20-35 HP (1981-94) 375	Powerhead Water Passage Cover Gaskets 393
2-Cyl. Loopcharged Pistons - 40-60 HP (1980-94) 375	Carburetor to Intake Manifold Gaskets 393
3-Cyl. Loopcharged Pistons - 60-75 HP (1976-88) 375	Intake Manifold & Reed Plate Gaskets 394
Piston Designs (DFI, Crossflow, Loopcharged & Four-Stroke) 376	Air Silencer Gaskets & Cover to Base Gaskets 394
3-Cyl. Loopcharged Pistons - 60-75 HP (1986-94) 376	Head Gasket Application - 1974 & Later Models 394
3-Cyl. Loopcharged Pistons - 60-70 HP (1994-01) 376	Head Gasket Application - Fast Moving for Older Models 395
Difference in Engine Designs - V4 & V6, 60° vs. 90° 376	Powerhead Gasket Kits Application 395
V4 90° & V6 90° Crossflow Pistons - 9.9 & 15 HP (1981-92) 377	JohnEvin - Marine Service Tools 396
	Universal Puller Plate 396
	Prop & Bearing Carrier Puller 396
	Prop Wrenches 396
	Drive Shaft Adapter 396
	Pinion Nut Adapter Kit 396
	Drive Shaft Shimming Tool 396

Table of Contents

JohnEvin - Oil Seals & O-Ring Size Chart	397	Yamaha Cooling System cont...	447
Oil Seals Shaft & Bore Size	397	Complete Water Pump Kits - T-25, F-30 & F-40 HP, 4-Stroke ..	448
O-Ring Size Chart	398	Complete Water Pump Kits - 55 HP	448
YAMAHA SECTION	399	Complete Water Pump Kits - 50-70 HP	448
Yamaha Gearcase Exploded Views	400	Complete Water Pump Kits - 70-90 HP	448
Yamaha Gearcase - 9.9 & 15 HP (1984-06)	400-401	Complete Water Pump Kits - 75-100 HP	448
Yamaha Gearcase - 9.9 & 15 HP (1996-06)	402-403	Complete Water Pump Kits - 115 HP, 4-Stroke	448
Yamaha Gearcase - 20 & 25 HP 2-Cylinder	404-405	Complete Water Pump Kits - 115-130 HP, 2 & 4-Stroke	448
Yamaha Gearcase - F-25 ('98 & Up) & C-30 HP ('93-97) ..	406-407	Complete Water Pump Kits - 115 HP & 150 HP, 2-Stroke	448
Yamaha Gearcase - 25, 30, 40 & 50 HP	408-409	Complete Water Pump Kits - 150-300 HP, 2 & 4-Stroke	448
Yamaha Gearcase - C-25 & C-30 HP	410-411	Complete Water Pump Kits - VF200-VF250 HP, 4-Stroke	448
Yamaha Gearcase - 25, 30 & 40 HP	412-413	Complete Water Pump Kits - F225-F300 HP, V6	448
Yamaha Gearcase - C/CV-40 HP	414-415	Complete Water Pump Kits - 250 HP, 4-Stroke	448
Yamaha Gearcase - 40, 48, 50, P-50 & 55 HP	416-417	Complete Water Pump Kits - 300-350 HP, V8, 4-Stroke	448
Yamaha Gearcase - 40, 50 & 60 HP	418-419	Water Pump Housing Kit - 115-300 HP	448
Yamaha Gearcase - C/CV-55 HP	420-421	Water Pump Impeller Kit - 115-300 HP	448
Yamaha Gearcase - C/P/E/T-60 & C-70 HP	422-423	Water Pump Kits w/o Housing - 9.9-15 HP	449
Yamaha Gearcase - 60, 70, 75 & 90 HP	424-425	Water Pump Kits w/o Housing - 20-25 HP	449
Yamaha Gearcase - F-75, F-80, F-90 & F-100 HP	426-427	Water Pump Kits w/o Housing - 25, 30, 40 & 50 HP, 3-Cyl. ...	449
Yamaha Gearcase - 115, 130 HP (All F, LF & C)	428-429	Water Pump Kits w/o Housing - C/CV-40 HP	449
Yamaha Gearcase - 150, 175, 200, 220 HP	430-431	Water Pump Kits w/o Housing - 40-50 HP	449
Yamaha Gearcase - VF-200 & VF-250 HP	432-433	Water Pump Kits w/o Housing - T-25, F-30 & F-40 HP, 4-S ...	449
Yamaha Gearcase - VZ-200, 225, 250 & 300 HP	434-435	Water Pump Kits w/o Housing - 55 HP	449
Yamaha Gearcase - 220-225 HP	436-437	Water Pump Kits w/o Housing - 50-70 HP	449
Yamaha Gearcase - 225, 250 & 300 HP V6	438-439	Water Pump Kits w/o Housing - 70-90 HP	449
Yamaha Gearcase - 300 & 350 HP V8	440-441	Water Pump Kits w/o Housing - 75-100 HP	449
Yamaha Gearcase Seal Kits	442	Water Pump Kits w/o Housing - 115 HP, 4-Stroke	449
Yamaha Seal Kits - 9.9 thru 90 HP	442	Water Pump Kits w/o Housing - 115-130 HP, 2 & 4-Stroke	449
Yamaha Seal Kits - V4 (115-130 HP)	442	Water Pump Kits w/o Housing - 115 & 150 HP, 2-Stroke	449
Yamaha Seal Kits - 200-300 HP (LZ, Z & VZ)	442	Water Pump Kits w/o Housing - 150-300 HP, 2 & 4-Stroke	449
Yamaha Seal Kits - 150, 175, 200, 220, VF200-VF250 HP	442	Water Pump Kits w/o Housing - VF-200 - VF-250 HP, 4-S	449
Yamaha Seal Kits - V6 (225-300 HP)	442	Water Pump Kits w/o Housing - F-225 - F-300 HP, V6	449
Yamaha Seal Kits - V8 (300-350 HP)	442	Water Pump Kits w/o Housing - 250 HP, 4-Stroke	449
Yamaha Seal Kit Components - Damper Water Seals & Grommets ..	442	Water Pump Kits w/o Housing - 300-350 HP, V8, 4-Stroke	449
Yamaha Seal Kit Components - Misc. Gaskets, Seals & Washers ..	442	Yamaha Thermostat Kits, Thermostats & T. Gaskets	449
Yamaha Seal Kit Components - Water Pump Gaskets	443	Yamaha Water Pump Kits & Components Application	450-452
Yamaha Seal Kit Components - Muffler Gaskets & Seals	443	Yamaha Thermostat Kits & Thermostat Application	453
Yamaha Seal Kit Components - O-rings	443-444	Yamaha Pistons	454
Yamaha Seal Kit Components - Oil Seals	444	GLM Exclusive Marine Pistons & Ring Comparison	454
Yamaha Seal Kits Applications	444	Yamaha Pistons - Inline 48, 55, 75, 80, 85, 90 HP	454
Yamaha Prop Hardware Kits & Aluminum Anodes	445	Yamaha Pistons - 115, 130, 150, 175, 200, 225 HP, V4 & V6 ...	454-455
Yamaha Prop Hardware - 25 thru CV-30 HP	445	Yamaha Pistons 200, 225, 250 HP, V6	455
Yamaha Prop Hardware - F-30 thru F-60 HP	445	Yamaha Piston Kits & Rings Application	455-456
Yamaha Prop Hardware - 40 thru CV-55 HP	445	Yamaha Fuel System	457
Yamaha Prop Hardware - F-50 thru F-100 HP	445	Water Separating Fuel Filter Kits, Filters & Brackets	457
Yamaha Prop Hardware - T-50 thru C-90 HP	445	Plastic Inline Fuel Filters	458
Yamaha Prop Hardware - 115 thru Z-300 HP	445	Fuel Pump Diaphragm & Carburetor Kits	458
Yamaha Aluminum Anodes Kits	446	Carburetor Service Kits Application	458
Yamaha Aluminum Anodes - 20 thru 300 HP	446	Yamaha Powerhead Gaskets	459
Yamaha Aluminum Anodes - Miscellaneous	446	Yamaha & Suzuki Head Gasket Identification	459
Suzuki Aluminum Anodes	446	Yamaha & Suzuki Head Gaskets	460
Honda Aluminum Anodes	446	Yamaha Exhaust Manifold Gaskets & Powerhead Gaskets ..	460
Yamaha Cooling System	447	Yamaha Oil Seals Size Charts, Years & Models	461
Yamaha Water Pump Impeller Identification	447	Yamaha - Oil Seals Size Charts	461
Complete Water Pump Kits - 9.9-15 HP	448	Yamaha - All Years and Models (1984-2006)	462-470
Complete Water Pump Kits - 20-25 HP	448	INDEX, X-REFERENCE & GLM WARRANTY	471
Complete Water Pump Kits - F-25 & C-30 HP	448	GLM Index	471-489
Complete Water Pump Kits - 25 & 30 HP	448	X-References (Merc, OMC, Volvo, Yamaha & Sierra to GLM)	490-508
Complete Water Pump Kits - 25, 30, 40 & 50 HP, 3-Cylinder ...	448	GLM Warranty, Procedure & Claim Application	511-513
Complete Water Pump Kits - C/CV-40 HP	448		
Complete Water Pump Kits - 40-50 HP	448		



GLM Products, Inc.



Quality Aftermarket Replacement

Manifolds

MerCruiser Manifolds	13-36
OMC Manifolds	37-46
Volvo Penta Manifolds	46-56
Barr/Indmar/MP Manifolds	57-60

TOC

Manifolds-Merc.

Manifolds-OMC

Manifolds-Volvo

Manifolds-Barr

MerCruiser

Merc / Mar / For

OMC / Volvo

Johnson / Evin

Yamaha

Index / X-Ref.

Warranty

MAXIMUM MANIFOLD FEATURES

FULLY TUNED

• Designed to Increase Performance, Reduce Back Pressure and Add More Horsepower to your Engine!

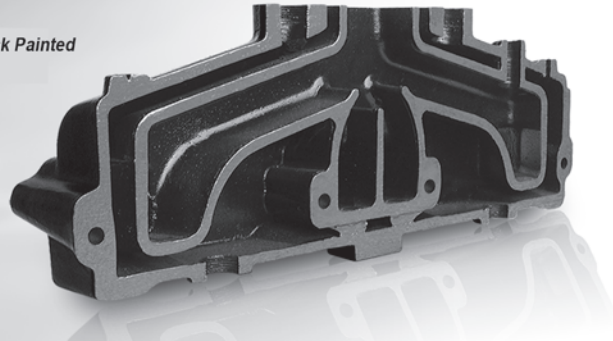
& PROTECTED

• Cast Iron Manifolds are Black Painted for Corrosion Resistance!

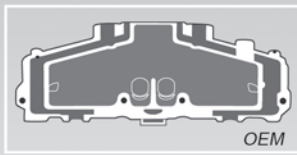
ELBOWS / RISERS



In the Merc. 4" riser, there are 2 extra exits at each side. This allows water to exit more efficiently, keeping engine cooler.

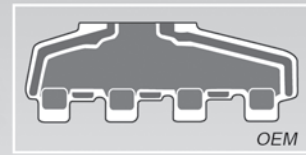


SMALL BLOCK



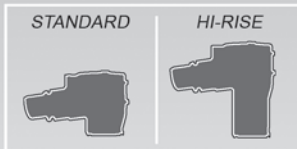
Our fully tuned design guides exhaust gases directly to riser without turbulence and back pressure. This increases the engines performance up to 10%. In the meantime, an additional 40% water cooling area will decrease the entire manifold body temperature significantly.

BIG BLOCK



Our fully tuned design will reduce turbulence and enhance flow for added performance. An extra 30% water cooling area will help reduce temperature in the exhaust exit area allowing for longer gasket life.

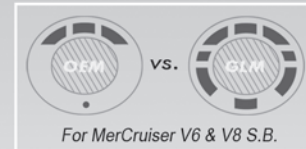
HI-RISE ELBOWS



Complete Sets for OMC & Volvo Pentagm V6, V8sb, V8bb & FORD V8sb

Single-Piece Hi-Rise Approx. 11.3" High GLM Manifold Sets with Hi-Rise Elbows come with all the gaskets & hardware needed. GLM Products, Inc. is your Best Choice for Aftermarket Manifolds!

DRY JOINT ALTERNATIVE



For MerCruiser V6 & V8 S.B.

Manifold + Elbow Sets

Additional Water Ports
Elimination of Exterior Water Cooling System
Elimination of Surface Leaks with GLM's Superior Gaskets
For just over the cost of 1 dry joint elbow, you can purchase GLM's manifold + elbow set and replace both pieces, eliminating your costly dry joint exhaust system!

GLM Products, Inc.

MerCruiser Exhaust Manifold Dimensions

V6 w/ 3" Riser (1983 - 0M SN #'s)	V6 Dry Joint Alternative (0M SN #'s & Up)
<p>No. 51110 OEM: 98504A3 / EXHAUST ELBOW No. 51220 OEM: 99746A17 / EXHAUST MANIFOLD</p>	<p>No. 51148 OEM: N/A / EXHAUST ELBOW No. 51220 OEM: 99746A17 / EXHAUST MANIFOLD</p>
V6 w/ 4" Riser (1983 - 0M SN #'s)	V8 S.B. Dry Joint Alternative (0M SN #'s & Up)
<p>No. 51140 OEM: 807988Q03 / EXHAUST ELBOW No. 51220 OEM: 99746A17 / EXHAUST MANIFOLD</p>	<p>No. 51148 OEM: N/A / EXHAUST ELBOW No. 51230 OEM: 860246A10 / EXHAUST MANIFOLD</p>
V8 S.B. w/ 3" Riser (1983 - 0M SN #'s)	V8 B.B. w/ 3" Riser (1981 & Up)
<p>No. 51110 OEM: 98504A3 / EXHAUST ELBOW No. 51230 OEM: 860246A10 / EXHAUST MANIFOLD</p>	<p>No. 51110 OEM: 98504A3 / EXHAUST ELBOW No. 51240 OEM: 807078T08 / EXHAUST MANIFOLD</p>
V8 S.B. w/ 4" Riser (1983 - 0M SN #'s)	V8 B.B. w/ 4" Riser (1981 & Up)
<p>No. 51140 OEM: 807988Q03 / EXHAUST ELBOW No. 51230 OEM: 860246A10 / EXHAUST MANIFOLD</p>	<p>No. 51140 OEM: 807988Q03 / EXHAUST ELBOW No. 51240 OEM: 807078T08 / EXHAUST MANIFOLD</p>

TOC

Manifolds-Merc.

Manifolds-OMC

Manifolds-Volvo

Manifolds-Barr

MerCruiser

Merc / Mar / For

OMC / Volvo

Johnson / Evin

Yamaha

Index / X-Ref.

Warranty

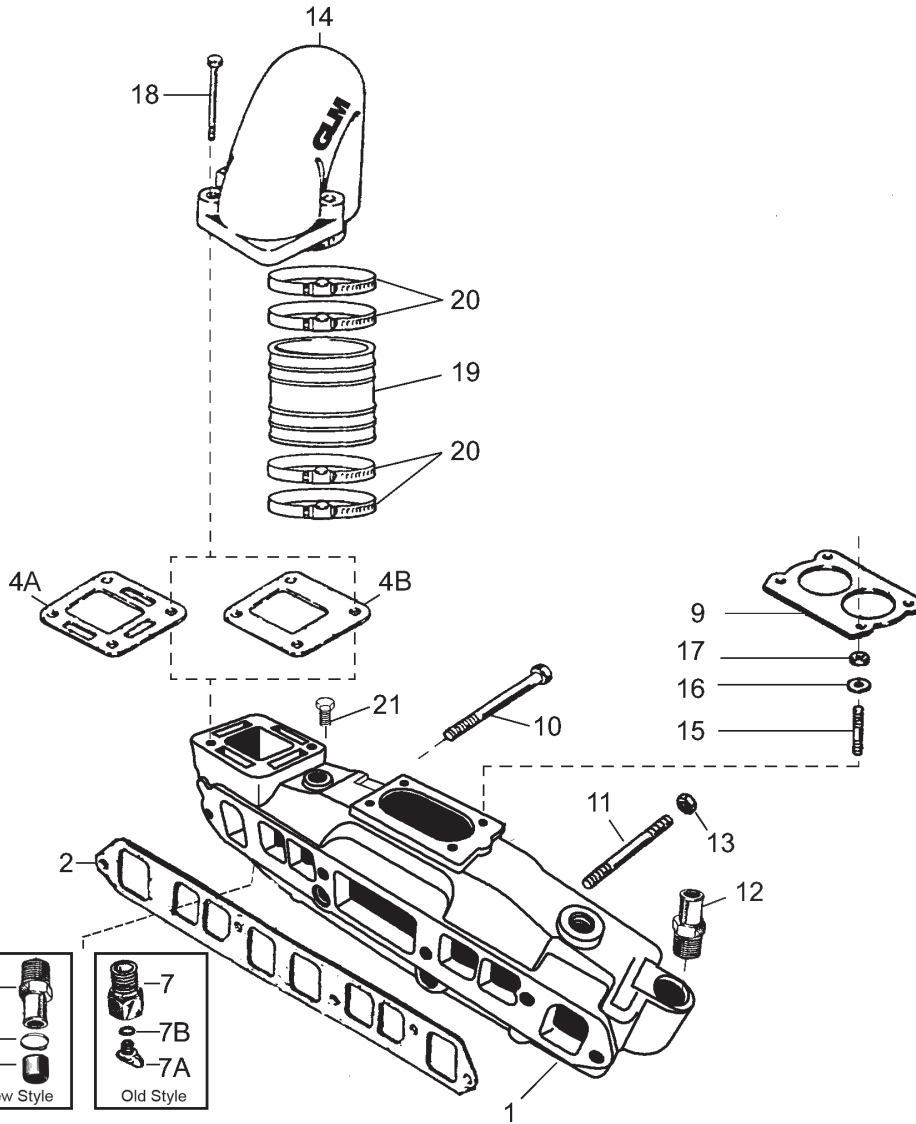
GLM Products, Inc.

MODEL 120/140 - INLINE 4, 153/181 CID, 4-CYL. (1982-95)
 MODEL 3.0LX/3.0L - INLINE 4, GM 181 CID, 4-CYL. (1990 & AFTER)

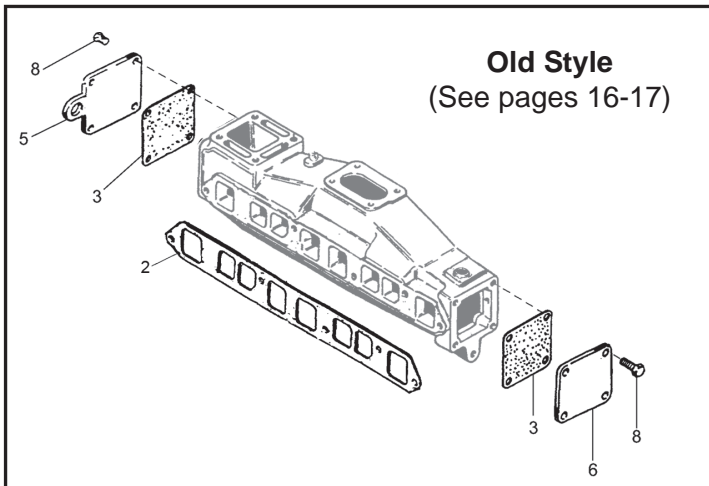
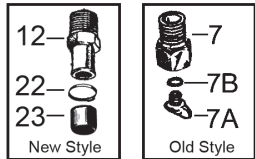
Manifold Set
 No. 58214



24



New Design



See page 30 for complete manifold kits.



TOC
 Manifolds-Merc.
 Manifolds-OMC
 Manifolds-Volvo
 Manifolds-Barr
 MerCruiser
 Merc / Mar / For
 OMC / Volvo
 Johnson / Evin
 Yamaha
 Index / X-Ref.
 Warranty

GLM Products, Inc.

MODEL 120/140 - INLINE 4, 153/181 CID, 4-CYL. (1982-95)

TOC

Manifolds-Merc.

Manifolds-OMC

Manifolds-Volvo

Manifolds-Barr

MerCruiser

Merc / Mar / For

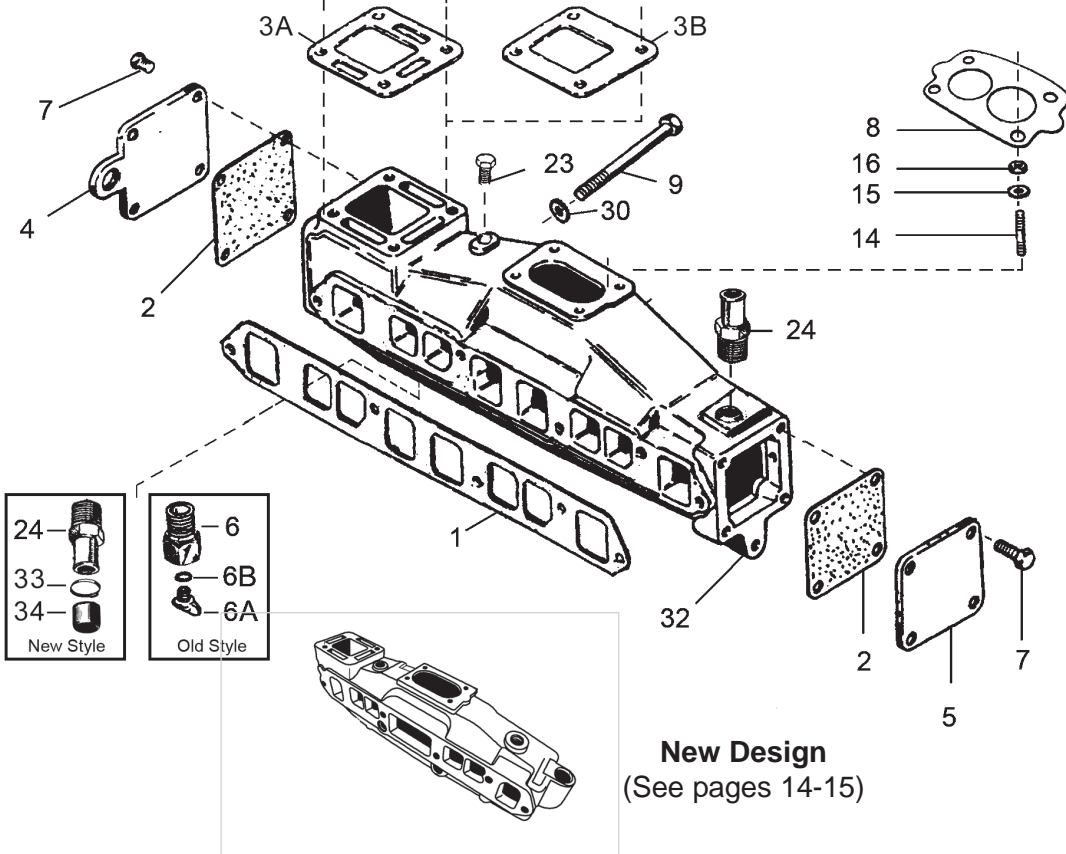
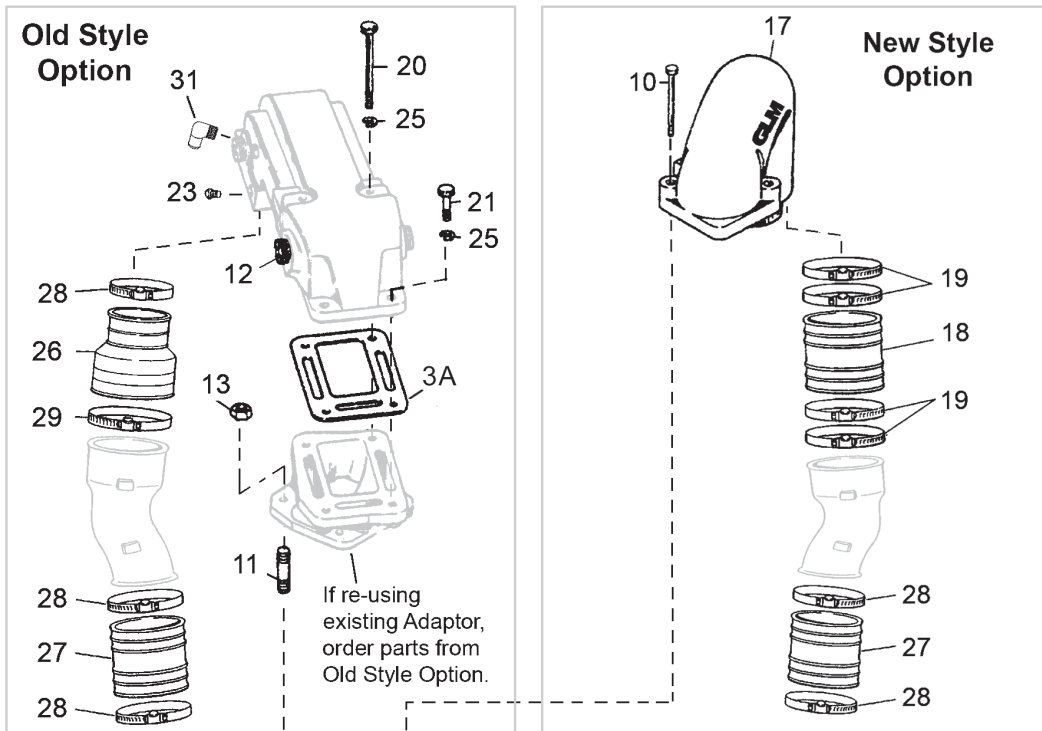
OMC / Volvo

Johnson / Evin

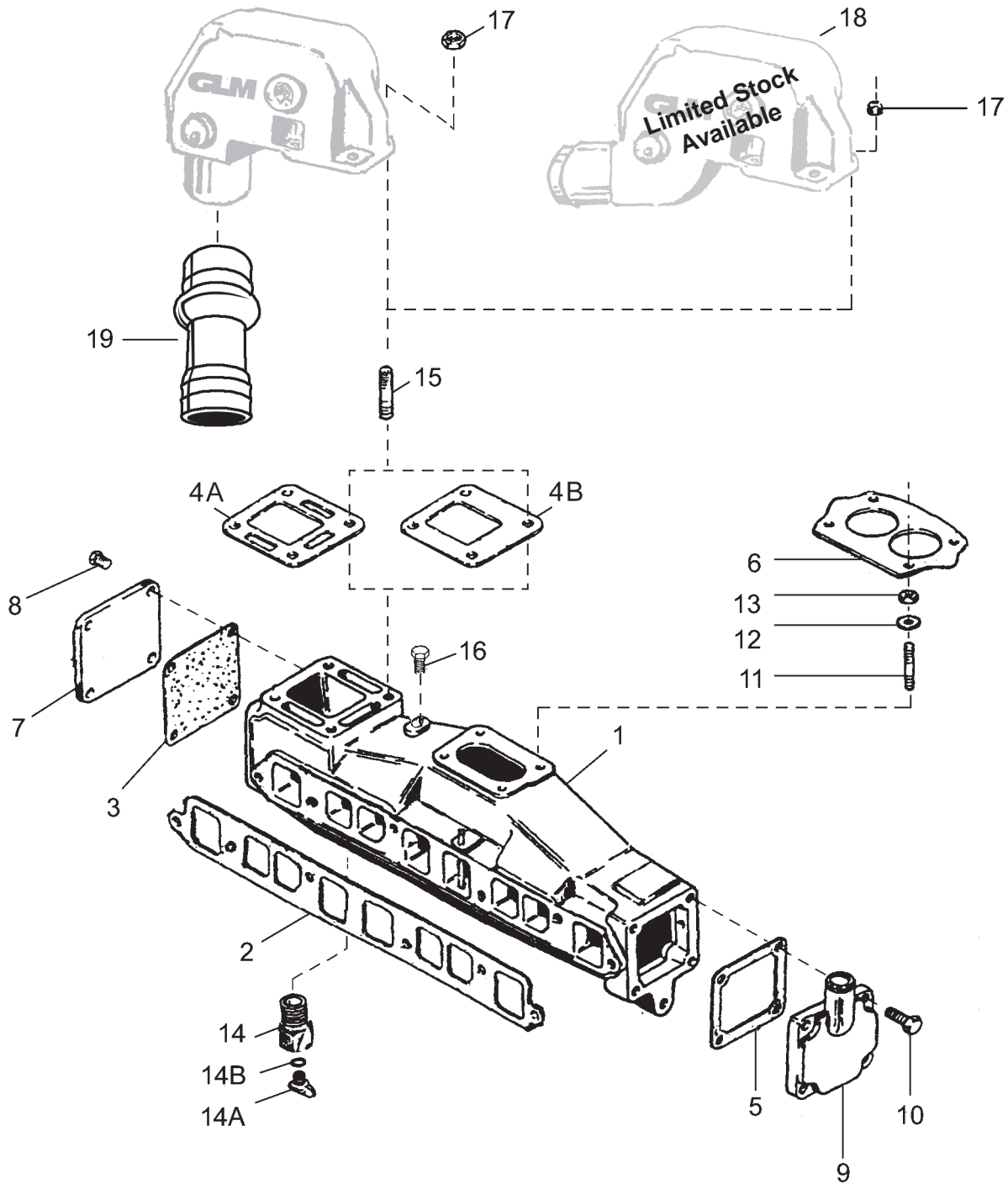
Yamaha

Index / X-Ref.

Warranty



MODEL 140 - INLINE 4, GM 181 CID, 4-CYL. (1968-82)



GLM Products, Inc.

MODEL 175-205 - V6, GM 229/262 CID (1983 - 0M SN#'s)

TOC

Manifolds-Merc.

Manifolds-OMC

Manifolds-Volvo

Manifolds-Barr

MerCruiser

Merc / Mar / For

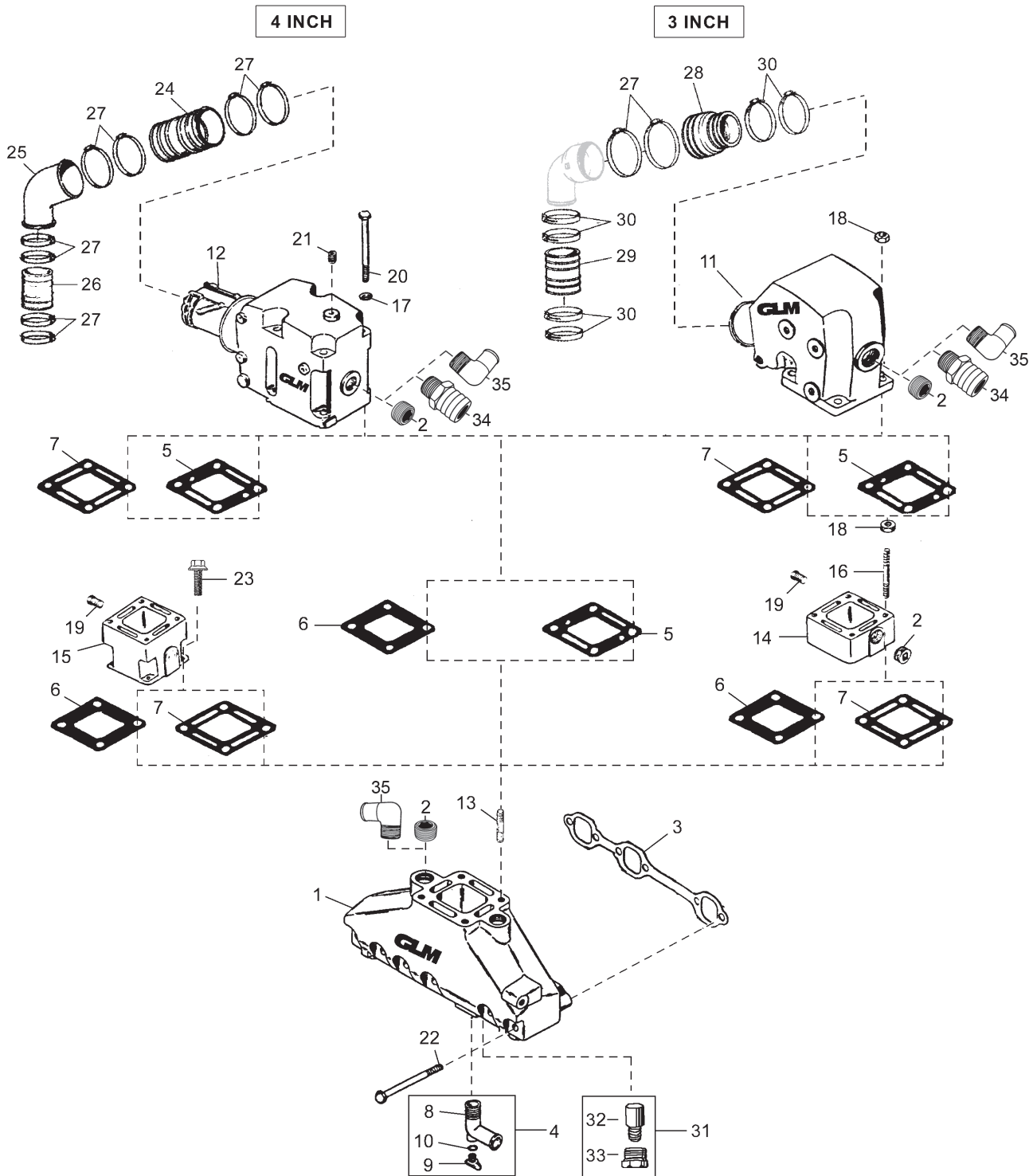
OMC / Volvo

Johnson / Evin

Yamaha

Index / X-Ref.

Warranty



See page 30 for complete manifold kits.

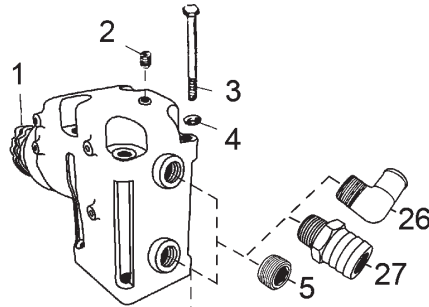


GM V6 & V8 S.B. DRY JOINT ALTERNATIVE (0M SN#'s & UP)

3" Spacer Kit
No. 50350

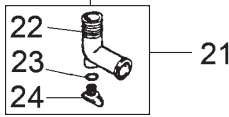
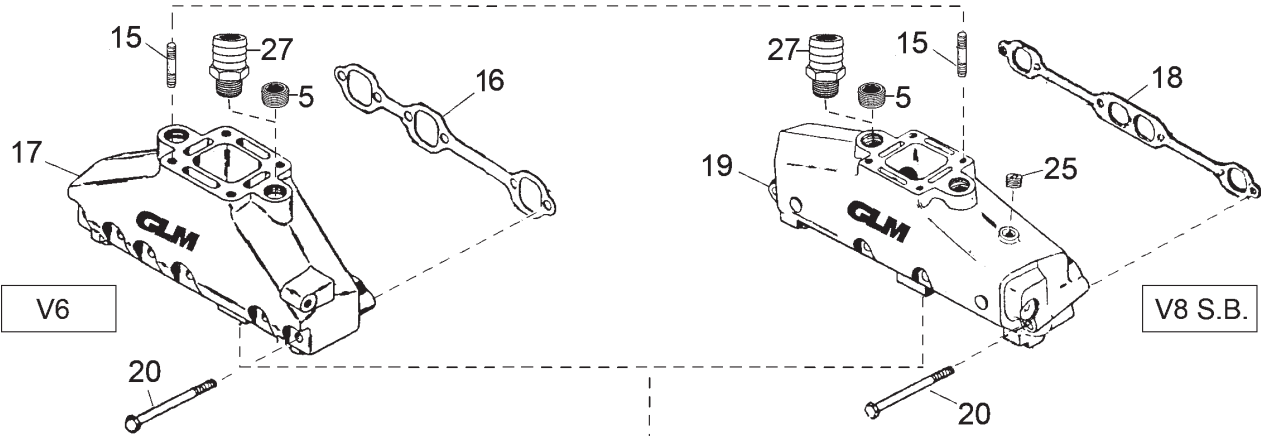
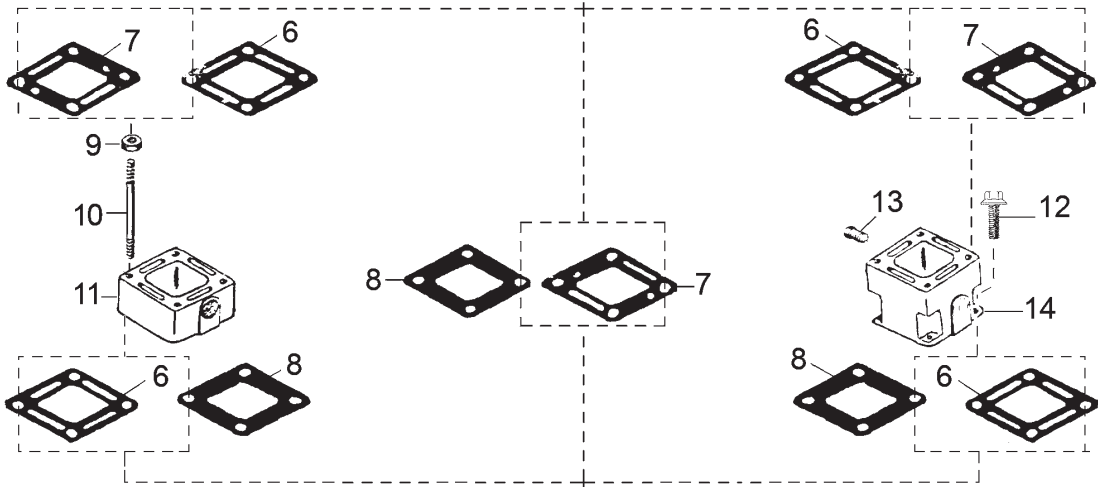


28



3 INCH

6 INCH



See page 30 for complete manifold kits.



GLM Products, Inc.

MODEL 200-320, V8 (S.B.), GM 305/350/377 CID (1983 - 0M SN#'s)

TOC

Manifolds-Merc.

Manifolds-OMC

Manifolds-Volvo

Manifolds-Barr

MerCruiser

Merc / Mar / For

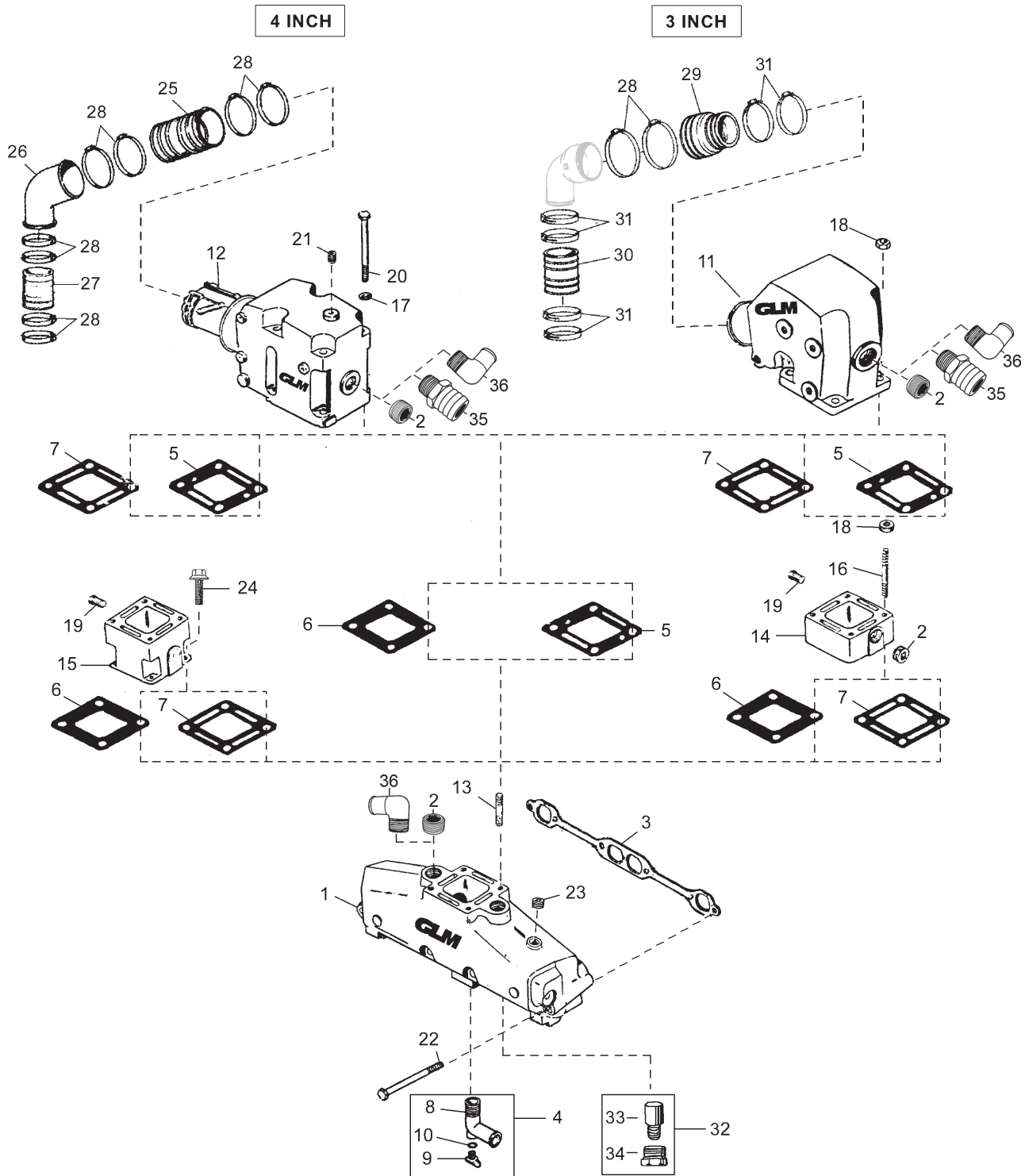
OMC / Volvo

Johnson / Evin

Yamaha

Index / X-Ref.

Warranty



See page 30 for complete manifold kits.



GLM Products, Inc.

MODEL 200-320, V8 (S.B.), GM 305/350/377 CID (1983 - 0M SN#'s)

Ref No.	GLM No.	OEM No.	Description	Qty.
1	51230	860246Q11	Exhaust Manifold Assembly (Iron Casting)	1
2*	21892	22-41622	Plug 3/4-14 (Steel)	1
2	21896	-	Plug 3/4-14 (Brass)	1
3**	31100	27-33395	Gasket - Exhaust Manifold	1
4**	13990	22-806926A1	Hose Fitting with Drain Plug Kit Contents Ref 8, 9, 10	1
5**	30240	27-863724	Gasket - Exhaust Manifold - Raw Water Cooling	1
6	30220	27-860231	Gasket - Exhaust Manifold - Fresh Water Cooling	1
7	32080	27-863726	Gasket - Exhaust Manifold and Spacers	1
8+	13991	22-806926	90 Degree Hose Fitting	1
9+	13992	22-806608A02	Drain Plug Kit (Includes No. 80140)	1
10+	80140	25-45253	O-Ring	1
11	51110	98504A3	Exhaust Elbow (Iron Casting) 3" 15 Degree	1
12	51140	807988A2	Exhaust Elbow (Iron Casting) 4" 7 Degree	1
13	22391	16-49545	Stud (Steel)	4
13	22462	-	Stud (Stainless Steel)	4
14	50300	N/A	Spacer 3" (Iron Casting)	1
15	50600	N/A	Spacer 6" (Iron Casting)	1
16	22474	16-11375	Stud (3/8 X 9 1/2) Use with 4" Elbow	4
16	22481	16-97520	Stud (3/8 X 5) Use with 3" Elbow	4
17*	21493	13-35048	Lockwasher	4
18	21248	11-46335	Flange Serrated Nut	4
19	21893	22-32802-2	Plug	1
20*	22381	10-43749	Screw Steel Zinc Plated	4
21*	21889	-	Plug (Steel)	1
21	22379	22-73379	Plug (Brass)	1
22	21745	10-53728	Screw	4
23**	21899	22-37372	Plug	1
24	22355	10-12244	Screw	4
25	89120	32-44348T	Exhaust Bellow Upper 4" (Fits No. 51140 or No. 51145)	1
26	50760	44267T	Elbow Tube	1
27	89130	32-14358T	Exhaust Bellow Lower 4" (Fits No. 51140 or No. 51145)	1
28	01100	54-815504372	Hose Clamp	4
29	89070	70981A3	Exhaust Bellow Upper 3" (Fits No 51110 or No. 51115)	1
30	89090	32-90949T	Exhaust Bellow Lower 3" (Fits No. 51110 or No. 51115)	1
31	01056	54-815504456	Hose Clamp	4
32	12691	N/A	Aluminum Pencil Anode Kit	AR
33-	12692	N/A	Aluminum Anode	1
34-	21895	N/A	Plug	1
35	13984	22-8666725	Straight Fitting	AR
36	13960	N/A	Elbow Fitting	AR

* Included with Exhaust Elbow 51140

** Included with Manifold 51230

+ Included in Kit No. 13990

- Included in Kit No. 12691

AR = As Required

GLM Products, Inc.

MODEL 330-370, V8 (B.B.), GM 454/502 CID (1981 & UP)

TOC

Manifolds-Merc.

Manifolds-OMC

Manifolds-Volvo

Manifolds-Barr

MerCruiser

Merc / Mar / For

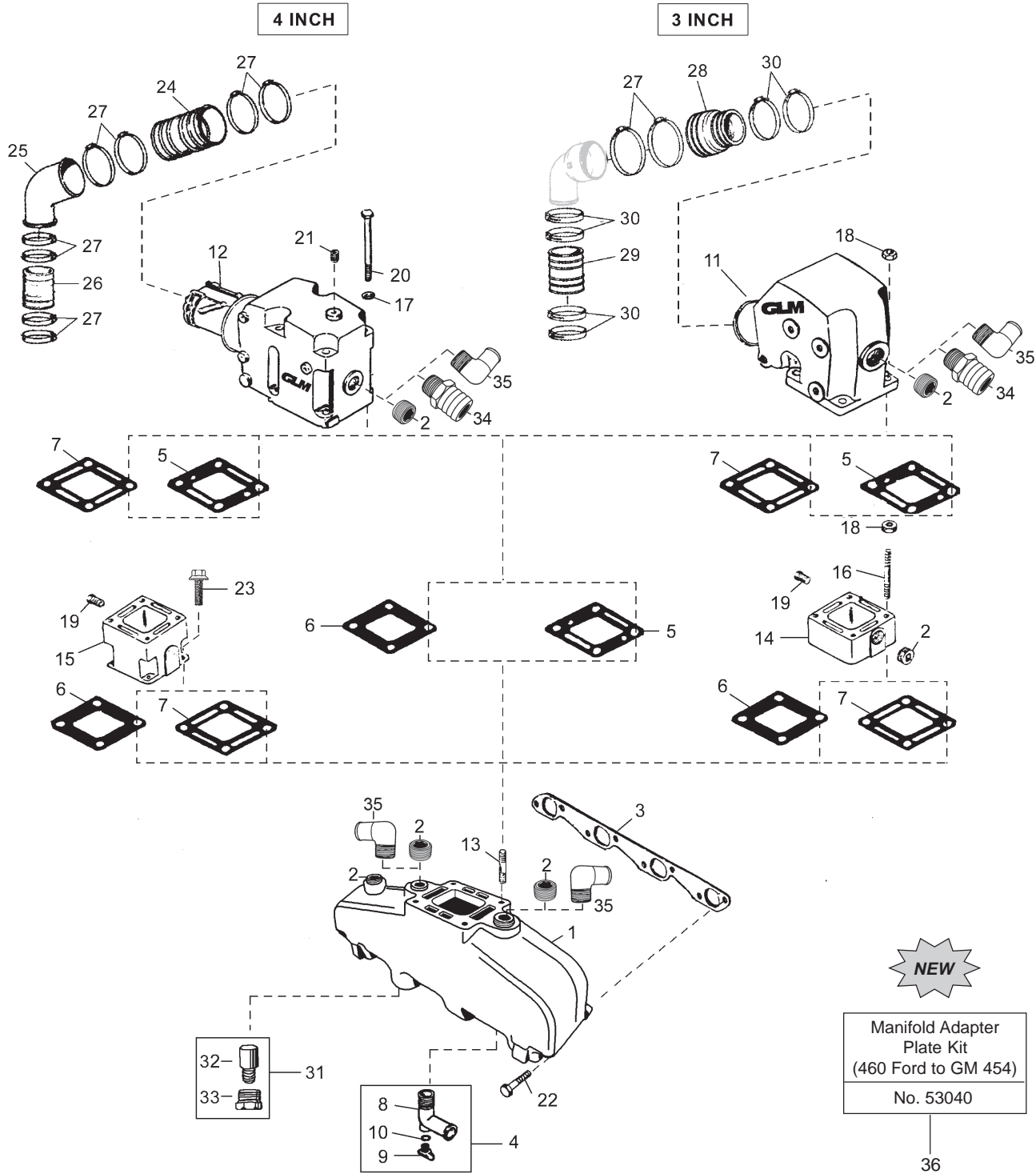
OMC / Volvo

Johnson / Evin

Yamaha

Index / X-Ref.

Warranty



See page 30 for complete manifold kits.



GLM Products, Inc.

MODEL 330-370, V8 (B.B.), GM 454/502 CID (1981 & UP)

Ref No.	GLM No.	OEM No.	Description	Qty.
1	51240	807078T08	Exhaust Manifold Assembly (Iron Casting)	1
2*	21892	22-41622	Plug (Steel)	1
2	21896	-	Plug (Brass)	1
3**	33760	27-46820	Gasket-Exhaust Manifold	1
4**	13990	22-806926A1	Hose Fitting with Drain Plug Kit. Contents Ref. 8,9,10	1
5**	30240	27-863724	Gasket-Exhaust Manifold-Raw Water Cooling	1
6	30220	27-860231	Gasket-Exhaust Manifold-Fresh Water Cooling	1
7	32080	27-863726	Gasket-Exhaust Manifold and Spacers	1
8+	13991	22-806926	90 Degree Hose Fitting	1
9+	13992	22-806608A02	Drain Plug Kit (Includes No. 80140)	1
10+	80140	25-45253	O-Ring	1
11	51110	98504A3	Exhaust Elbow (Iron Casting) 3", 15 Degree	1
12	51140	807988A2	Exhaust Elbow (Iron Casting) 4", 7 Degree	1
13	22391	16-49545	Stud 3/8 X 1 3/4	4
14	50300	N/A	Spacer 3" (Iron Casting)	1
15	50600	N/A	Spacer 6" (Iron Casting)	1
16	22481	16-97520	Stud (3/8 X 5) Use With 3" Elbow	4
16	22474	16-11375	Stud (3/8 X 9 1/2) Use With 4" Elbow	4
17*	21493	13-35048	Lockwasher	4
18	21248	11-46335	Flange Serrated Nut	4
19	21893	22-32802-2	Plug	1
20	22381	10-43749	Screw - Steel Zinc Plated	1
21*	21889	-	Plug (Steel)	1
21	22379	22-73379	Plug (Brass)	1
22	21755	10-37612	Screw	8
23	22355	10-12244	Screw	4
24	89120	32-44348T	Exhaust Bellow Upper 4" (Fits No. 51140 or No. 51145)	1
25	50760	44267T	Elbow Tube	1
26	89130	32-14358T	Exhaust Bellow Lower 4" (Fits No. 51140 or No. 51145)	1
27	01100	54-815504372	Hose Clamp	4
28	89070	70981A3	Exhaust Bellow Upper 3" (Fits No 51110 or No. 51115)	1
29	89090	32-90949T	Exhaust Bellow Lower 3" (Fits No. 51110 or No. 51115)	1
30	01056	54-815504456	Hose Clamp	4
31	12693	N/A	Aluminum Pencil Anode Kit	AR
32-	12694	N/A	Aluminum Anode	1
33-	21895	N/A	Plug	1
34	13984	22-866725	Straight Fitting	AR
35	13960	N/A	Elbow Fitting	AR
36	53040	N/A	Manifold Adapter Plate Kit for Ford 460 to GM 454	1

* Included with Exhaust Elbow 51140

** Included with Manifold 51240

+ Included in Kit No. 13990

- Included in Kit No. 12691

AR = As Required

TOC

Manifolds-Merc.

Manifolds-OMC

Manifolds-Volvo

Manifolds-Barr

MerCruiser

Merc / Mar / For

OMC / Volvo

Johnson / Evin

Yamaha

Index / X-Ref.

Warranty

TOC

Manifolds-Merc.

Manifolds-OMC

Manifolds-Volvo

Manifolds-Barr

MerCruiser

Merc / Mar / For

OMC / Volvo

Johnson / Evin

Yamaha

Index / X-Ref.

Warranty

100% Complete Conversion Kits



- V6 **58992** 4.3L GM 262 w/ Raw Water Cooling (1996-2000)
* Does NOT contain exhaust tube for Y-pipe, must re-use original. *Single-Piece to Center Rise.*
- V8 **58990** GM 305/350 CID w/ 3" or 4" Y-pipe.
* Not for use on engines w/ high mounted power steering pumps. *Log Style to Center Rise.*
- V8 **74009** (OEM: 93175T) Alternator Bracket for No. 58990

100% Complete Manifold Sets V8 B.B.



3 Inch Elbows	4 Inch Elbows
Without Spacers 58241	58242 Without Spacers
3 Inch Spacers 58243	58244 3 Inch Spacers
6 Inch Spacers 58245	58246 6 Inch Spacers

100% Complete Manifold Set 4-Cyl.



4Cyl. **58214** Model 120/140 GM 153/181 CID (1982-1995)
Model 3.0LX/3.0L GM 181 CID (1990 & Up)

460 Adapter Kit Complete



V8bb **58940** Ford 460 to GM 454

100% Complete Manifold Sets V6



3 Inch Elbows	4 Inch Elbows
Without Spacers 58221	58222 Without Spacers
3 Inch Spacers 58223	58224 3 Inch Spacers
6 Inch Spacers 58225	58226 6 Inch Spacers

Dry Joint Alternative V6 Manifold +Elbow Set

Eliminates your exterior water cooling system.



All Gaskets & Hardware Included.

Without Spacer 58650	1 Manifold, 1 Elbow
3 Inch Spacer 58653	1 Manifold, 1 Elbow, 1 Spacer

100% Complete Manifold Sets V8 S.B.



3 Inch Elbows	4 Inch Elbows
Without Spacers 58231	58232 Without Spacers
3 Inch Spacers 58233	58234 3 Inch Spacers
6 Inch Spacers 58235	58236 6 Inch Spacers

Dry Joint Alternative V8 S.B. Manifold +Elbow Set

Eliminates your exterior water cooling system.

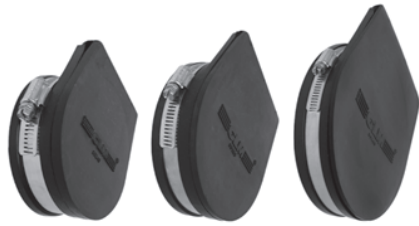


All Gaskets & Hardware Included.

Without Spacer 58660	1 Manifold, 1 Elbow
3 Inch Spacer 58663	1 Manifold, 1 Elbow, 1 Spacer

GLM Products, Inc.

Exhaust Flapper Valves



- 3" **89240** (OEM: 34765A1) 3 inch Flapper with Clamp
- 4" **89250** (OEM: 12644A1) 4 inch Flapper with Clamp
- 5" / 6" **89260** (OEM: N/A) 5 / 6 inch Flapper with Clamp

Water Shutters



- 3" **89160** (OEM: 99370A2) 3 inch Water Shutter
- 4" **89175** (OEM: 807166A1) 4 inch Water Shutter

Exhaust Bellows



- Lower 3 Inch **89090** (OEM: 32-90949T) 3" Elbow to 3" Y-Pipe
- Lower 4 Inch **89130** (OEM: 32-14358T) 4" Elbow to 4" Y-Pipe
- Upper 3 Inch **89070** (OEM: 70981A3) V8 (1971-82), V6/V8 4" Center Mounted Riser to 4" Elbow, Rear Mounted Riser to 4" Y-Pipe
- Upper 4 Inch **89120** (OEM: 32-44348T) V6 & V8 4" Center Mounted Riser to 4" Elbow
- Exhaust Elbow **89060** (OEM: 53114A1) Inline 4 & 6-Cylinder
- Exhaust Elbow **89100** (OEM: 18654A1) w/ Clamps & Clips Transom Plate to Bell Housing
- Exhaust Tube **89150** (OEM: 78458A1) w/ Clamps & Clips Transom Plate to Bell Housing



SUS 316 Hose Clamps

- For 89090, 89060, 89070 **01056** (OEM: 54-815504456)
- For 89100, 89150, 89060 **01070** (OEM: 54-815504348) small
- For 89120, 89130, 89070 **01100** (OEM: 54-815504372) large

Cast Iron Spacer Kits



- 3" Spacer Kit **50310** (OEM: 93320A13) Fits MCM V6 & TBI engines w/ 2-piece exhaust manifolds (0M614999 & Below), MCM/MIE/Ski V8 (305, 350, 377, 454 & 502 CID) engines w/ cast iron elbows (0M29999 & Below), MCM V8 (305 & 350 CID) carb. engines (0M3000000-0M316999), MIE & Ski carb. engines (0M3000000-0M316999).

- 3" Spacer Kit **50320** (OEM: 93320A15) 2001-02 MCM 4.3L MPI (0M3000000-0M614999), 2001-02 MCM V8 (305, 350 & 377 CID) MPI engine (0M3000000-0M599999), 2001-02 MIE & Ski V8 (350 & 377 CID) MPI engines (0M3000000-0M316999). Fits only the above engines with cast iron elbows.

- 3" Spacer Kit **50320** Fits V6 & V8 Small Block Dry-Joint Alternative Manifold & Elbow (2004 & Up). NEW

- 6" Spacer Kit **50610** (OEM: 93322A12) Fits MCM V6 & TBI engines w/ 2-piece exhaust manifolds (0M614999 & Below), MCM/MIE/Ski V8 (305, 350, 377, 454 & 502 CID) engines w/ cast iron elbows (0M29999 & Below), MCM V8 (305 & 350 CID) carb. engines (0M3000000-0M599999), MIE & Ski carb. engines (0M3000000-0M316999).

- 6" Spacer Kit **50620** (OEM: 93322A10) 2001-02 MCM 4.3L (0M3000000-0M314999), 2001-02 MCM V8 (305, 350 & 377 CID) MPI engine (0M3000000-0M599999), 2001-02 MIE & Ski V8 (350 & 377 CID) MPI engines (0M3000000-0M316999).

Cast Iron Spacers 3" & 6"



- 3 Inch Spacer **50300** (OEM: N/A)
- 6 Inch Spacer **50600** (OEM: N/A)

TOC

Manifolds-Merc.

Manifolds-OMC

Manifolds-Volvo

Manifolds-Barr

MerCruiser

Merc / Mar / For

OMC / Volvo

Johnson / Evin

Yamaha

Index / X-Ref.

Warranty

TOC

Manifolds-Merc.

Manifolds-OMC

Manifolds-Volvo

Manifolds-Barr

MerCruiser

Merc / Mar / For

OMC / Volvo

Johnson / Evin

Yamaha

Index / X-Ref.

Warranty

Exhaust Gasket Sets



With Hardware	Without Hardware	
-	39290 27-35898A4	GM 153 CID (2.5L) 120 HP
53930 N/A	39300 27-53354A1	GM 181 CID (3.0L) 140 HP
53932 N/A	39320 27-99777A1	GM 153/181 CID (2.5L/3.0L) 120/140 HP
53271 N/A	39271 N/A	GM 181 CID (3.0LX/3.0L) (1990 & Up)
53950 N/A	39950 N/A	GM 181 CID, 140 HP (3.0L) For Single-Piece Manifold 51214
-	39272 N/A	GM 244 CID 4-Cylinder For Cast Iron Manifold
-	39273 N/A	GM 244 CID 4-Cylinder For Aluminum Manifold
-	39270 27-46401A1	GM 250/292 CID Inline 6-Cylinder
53870 N/A	39870 N/A	GM 229/262 CID V6 175-205 HP Fits Center Rise Manifold
-	39310 27-54566A1	Ford 302/351 CID (5.0/5.8L) Fits Log Style Manifold
-	39280 27-33395A2	GM 305/350 CID (5.0/5.8L) Fits Log Style Manifold, 198-270 HP
53880 N/A	39880 N/A	GM 305/350 CID (5.0/5.7L) Fits Center Rise Manifold, 200-320 HP
-	39120 27-46820A1	GM 427/454/482 CID Fits Log Style Manifold
53890 N/A	39890 N/A	GM 454/502 CID V6 (7.4/8.2L) Fits Center Rise Manifold

Manifold Adapter Plate Kit



V8bb **53040** Ford 460 to GM 454

Exhaust Manifold Mounting Kits



32175	OEM: N/A	GM V6
31105	OEM: N/A	GM V8sb
33765	OEM: N/A	GM V8bb
33795	OEM: N/A	Ford V8

Exhaust Manifold Gaskets



31550	OEM: 27-52546	Chevy 4-Cyl., 153CID, 2.5L, 120 HP
33570	OEM: 27-96429	Chevy 4-Cyl., 153/181 CID, 2.5/3.0L, (1983-1995) nonLX
31570	OEM: 27-53354	Chevy 4-Cyl., 181 CID, 3.0L, (1968-1982)
33580	OEM: 27-815528	Chevy 4-Cyl.
31710	OEM: 27-68715	4-Cyl.24 (3.7L) CID MerCruiser Built
31440	OEM: 27-46401	Chevy Inline 6-Cyl., 250 CID, 165 HP
32170	OEM: 27-99757	Chevy V6
33790	OEM: 27-73866	Ford 302/351
31100	OEM: 27-33395	Chevy 305/350
31101	OEM: CHV-47-0000	Chevy 305/350 (Barr Style)
33760	OEM: 27-46820	Chevy 454/502

Adapter Plate



50040 OEM: N/A Ford 460 to Chevy 454

Exhaust Elbow Mounting Kits



53460

	For 3 Inch Elbow/Riser	For 4 Inch Elbow/Riser
w/out Spacers	Raw 53300	53400 Raw w/out Spacers
w/out Spacers	Fresh 53301	53401 Fresh w/out Spacers
3 Inch Spacers	Raw 53330	53430 Raw 3 Inch Spacers
3 Inch Spacers	Fresh 53331	53431 Fresh 3 Inch Spacers
6 Inch Spacers	Raw 53360	53460 Raw 6 Inch Spacers
6 Inch Spacers	Fresh 53361	53461 Fresh 6 Inch Spacers

For Specified Elbow/Risers
 Fits 51190 Elbow /Riser **53100**
 Fits 51130 Elbow /Riser **53110**
 Fits 51180 Elbow /Riser **53120**
 Fits 51170 Elbow /Riser **53130**

GLM Products, Inc.

Exhaust Elbow Gaskets



- 32080** OEM: 27-860232 Center Riser Open
- 30240** OEM: 27-860233 Center Riser Restricted
- 30220** OEM: 27-860231 Center Riser Closed Cooling
- 32630** OEM: 27-92720 Rear Riser Closed Cooling (1968-82)
- 31520** OEM: 27-99777-2 Rear Riser Open 4/6-Cyl. (1968-82) (except 120HP), All V8 (1978-82)
- 31410** OEM: 27-39915 120 (1966-82)
- 31480** OEM: 27-48042 w/ TRS Drive Chevy 454 V8 (1968-82) Chevy 305/327/350 (1968-77)
- 32460** OEM: 27-856705 Steel Gasket for Merc. Built 4-Cylinder w/ Aluminum Manifolds
- 32370** OEM: 27-89657 Paper Gasket for Merc. Built 4-Cylinder w/ Aluminum Manifolds
- 32470** OEM: 27-18272 Merc. Built 4-Cylinder (except 1976-82 470) w/ Cast Iron Manifolds

End Cap Screws

- 22443** OEM: 10-824941 End Cap Screw
- 21756** OEM: 10-37562 End Cap Screw

End Caps



- 51010** OEM: 60252A2 181 (1968-82), 305/350 (1977-82)
- 51020** OEM: 805629A1 153/181 (1982-95)
- 51030** OEM: 73813A1 153/181 (1982-95), 181 (1968-82) 224 (1976-82), 305/350 (1977-82)

End Cap Gaskets



- 30190** OEM: 27-39917 Front Gasket 153 CID/120 HP (1966-82) For caps w/ water hose connections.
- 31420** OEM: 27-39923 Rear Gasket 153 CID/120 HP (1966-82)
- 30910** OEM: 27-73812 Rear Gasket 153 CID/120 HP (1966-82) For caps w/out water hose connections.
- 31490** OEM: 27-480431 Rear/Front For caps w/ water hose connections.
- 30920** OEM: 27-807218 Rear/Front For caps w/ water hose connections.

MANIFOLD APPLICATIONS FOR MERCURISER

Model	Year	Serial No. Range	Exhaust Mani.Port	Exhaust Mani.Stbd.	Exhaust Elbow	End Cap Front	End Cap Rear	Gasket Ex.Mani.	Gasket Ex.Elbow
110 153/L4	1963-66	1537370-2044033	N.L.A.	N/A	N.L.A.	N.L.A.	N.L.A.	31550	N.L.A.
120 153/L4	1966-82	2046625-6229717	-	N/A	-	N.L.A.	N.L.A.	31550	31410
120 153/L4	1983-86	6229718-0B531853	-	N/A	-	51010	51020	33570	31520
2.5L 153/L4	1987-89	0B531854-0C853255	-	N/A	-	51010	51020	33570	31520
140 181/L4	1968-82	2508261-6229717	51212	N/A	-	51010	51030	31570	31520
140 181/L4	1982-86	6229718-0B450800	-	N/A	-	51010	51020	33570	31520
3.0L 181/L4	1987-95	0B450801-0F603999	-	N/A	-	51010	51020	33570	31520
3.0L 181/L4	1998-	0L010042 & Up	51214	N/A	51160	51030	51020	33580	31520
3.0LX 181/L4	1990-97	0C856559-0K999999	51214	N/A	51160	51030	51020	33580	31520
165 (4-Cyl.) 224/L4	1987-87	0B434941-0B774251	-	N/A	-	N/A	N/A	31710	32470
165 (4-Cyl.) 224/L4	1987-87	0B434941-0B774251	-	N/A	-	N/A	N/A	31710	32460
170 224/L4	1985-86	6916779-0B434940	-	N/A	-	N/A	N/A	31710	32470
170 224/L4	1985-86	6916779-0B434940	-	N/A	-	N/A	N/A	31710	32460
180 224/L4	1987-87	0B436391-0B775248	-	N/A	-	N/A	N/A	31710	32470
180 224/L4	1987-87	0B436391-0B775248	-	N/A	-	N/A	N/A	31710	32460
190 224/L4	1985-86	6916779-0B436390	-	N/A	-	N/A	N/A	31710	32470
190 224/L4	1985-86	6916779-0B436390	-	N/A	-	N/A	N/A	31710	32460
3.7L 224/L4	1988-89	0B774252 & Up	-	N/A	-	N/A	N/A	31710	32470
3.7L 224/L4	1988-89	0B774252 & Up	-	N/A	-	N/A	N/A	31710	32460
3.7LX 224/L4	1988-89	0B775249 & Up	-	N/A	-	N/A	N/A	31710	32470
3.7LX 224/L4	1988-89	0B775249 & Up	-	N/A	-	N/A	N/A	31710	32460
470 224/L4	1976-77	4208730-4625579	-	N/A	-	N.L.A.	N.L.A.	31710	31520
470 MCM & MIE 224/L4	1977-82	4625580-6218036	-	N/A	-	N.L.A.	N.L.A.	31710	31520
470 224/L4	1983-84	6218037-6916778	-	N/A	-	N/A	N/A	31710	32460
485 224/L4	1980-82	5685394-6218036	-	N/A	-	N/A	N/A	31710	32370
488 224/L4	1983-84	6170297-6916778	-	N/A	-	N/A	N/A	31710	32460
140 (6-Cyl.) 194/L6	1963-63	1538930-1725960	N.L.A.	N/A	N.L.A.	N/A	N/A	31440	N.L.A.
150 230/L6	1964-66	1666495-2048046	N.L.A.	N/A	N.L.A.	N/A	N/A	31440	N.L.A.
160 250/L6	1967-69	2048022-2770031	N.L.A.	N/A	N.L.A.	N/A	N/A	31440	N.L.A.
165 (6-Cyl.) 250/L6	1970-81	2770032-5813433	-	N/A	-	51010	51030	31440	31520
200 (6-Cyl.) 292/L6	1969-69	2453769-2712072	-	N/A	-	N.L.A.	51030	31440	31520
185 (4bbl.) 229/V6	1983-84	6330183-6919655	51220	51220	51110	N/A	N/A	32170	30240

MANIFOLD APPLICATIONS FOR MERCRUISER

Model	Year	Serial No. Range	Exhaust Mani.Port	Exhaust Mani.Stbd.	Exhaust Elbow	End Cap Front	End Cap Rear	Gasket Ex.Mani.	Gasket Ex.Elbow
175 262/V6	1987-87	0B527955-0B773242	51220	51220	51140	N/A	N/A	32170	30240
185 (2bbl.) 262/V6	1985-86	0A331455-0B527954	51220	51220	51110	N/A	N/A	32170	30240
185 (2bbl.) 262/V6	1985-86	0A331455-0B527954	51220	51220	51140	N/A	N/A	32170	30240
205 262/V6	1985-86	0A331455-0B527954	51220	51220	51110	N/A	N/A	32170	30240
205 262/V6	1985-86	0A331455-0B527954	51220	51220	51140	N/A	N/A	32170	30240
205 262/V6	1985-86	0A331455-0B527954	51220	51220	51110	N/A	N/A	32170	30240
205 262/V6	1985-86	0A331455-0B527954	51220	51220	51140	N/A	N/A	32170	30240
205 262/V6	1987-87	0B527955-0B775129	51220	51220	51140	N/A	N/A	32170	30240
262 Mag EFI (Gen +) 262/V6	1996-97	0F803800-0K999999	51220	51220	51140	N/A	N/A	32170	32080
262 Mag EFI (Gen +) 262/V6	1996-97	0F803800-0K999999	51220	51220	N/A	N/A	N/A	32170	N/A
4.3L 262/V6	1988-96	0B773243-0F802999	51220	51220	51140	N/A	N/A	32170	30240
4.3L (Gen +) 262/V6	1998-01	0L010044 & Up	51220	51220	51140	N/A	N/A	32170	32080
4.3L (Gen +) 262/V6	1998-01	0L010044 & Up	51220	51220	N/A	N/A	N/A	32170	N/A
4.3L EFI (Gen +) 262/V6	1998-01	0L012009 & Up	51220	51220	51140	N/A	N/A	32170	32080
4.3L EFI (Gen +) 262/V6	1998-01	0L012009 & Up	51220	51220	N/A	N/A	N/A	32170	N/A
4.3L MPI 262/V6	2001-01	0M300000 & Up	51220	51220	51140	N/A	N/A	32170	30240
4.3LH (Gen +) 262/V6	1998-01	0L010044 & Up	51220	51220	51140	N/A	N/A	32170	32080
4.3LH (Gen +) 262/V6	1998-01	0L010044 & Up	51220	51220	N/A	N/A	N/A	32170	N/A
4.3LX (4bbl.) 262/V6	1998-96	0B775130-0F802999	51220	51220	51140	N/A	N/A	32170	30240
4.3LX (Gen +) (2bbl.) 262/V6	1996-01	0F803800-0K999999	51220	51220	51140	N/A	N/A	32170	32080
4.3LX (Gen +) (2bbl.) 262/V6	1996-01	0F803800-0K999999	51220	51220	N/A	N/A	N/A	32170	N/A
4.3LXH (Gen +) 262/V6	1996-97	0F803814-0K999999	51220	51220	51140	N/A	N/A	32170	32080
4.3LXH (Gen +) 262/V6	1996-97	0F803814-0K999999	51220	51220	N/A	N/A	N/A	32170	N/A
215 302/V8	1970-70	2781153-3040410	-	-	-	51010	51030	33790	31520
215 302/V8	1971-72	3040411-3385720	-	-	-	51010	51010	33790	31520
215 MIE 302/V8	1970-70	2781153-3040410	-	-	-	51010	51030	33790	31520
215 MIE 302/V8	1971-72	3040411-3563181	-	-	-	51010	51010	33790	31520
225 (Ford) 302/V8	1973-74	3385721-4166999	-	-	-	51010	51010	33790	31520
225 MIE (Ford) 302/V8	1973-74	3385721-4176999	-	-	-	51010	51010	33790	31520
888 302/V8	1971-77	3108723-4887829	-	-	-	51010	51010	33790	31520
190 283/v8	1963-64	1564539-1730903	N.L.A.	N.L.A.	N.L.A.	N.L.A.	N.L.A.	31100	N.L.A.
198 MIE 305/V8	1977-77	4776402-4931099	-	-	-	51010	51010	31100	31480
198 MIE 305/V8	1977-77	4776402-4931099	-	-	-	51010	51010	31100	31520
200 305/V8	1985-87	6899058-0B525981	51230	51230	51110	N/A	N/A	31100	30240
200 305/V8	1985-87	6899058-0B525981	51230	51230	51140	N/A	N/A	31100	30240
200 305/V8	1987-87	0B525982-0B774444	51230	51230	51140	N/A	N/A	31100	30240
228 305/V8	1977-77	4765100-4888929	-	-	-	51010	51010	31100	31480
228 305/V8	1977-82	4888930-6218461	-	-	-	51010	51010	31100	31520
228 305/V8	1983-95	6218462-0F600999	51230	51230	51110	N/A	N/A	31100	30240
228 305/V8	1983-95	6218462-0F600999	51230	51230	51140	N/A	N/A	31100	30240
228 TR 305/V8	1977-77	4765100-4888929	-	-	-	51010	51010	31100	31480
228 TR 305/V8	1977-78	4888930-5170008	-	-	-	51010	51010	31100	31520
228 MIE 305/V8	1977-77	4765100-4888929	-	-	-	51010	51010	31100	31480
228 MIE 305/V8	1977-80	4888930-5907057	-	-	-	51010	51010	31100	31520
230 305/V8	1985-87	6899269-0B525981	51230	51230	51110	N/A	N/A	31100	30240
230 305/V8	1985-87	6899269-0B525981	51230	51230	51140	N/A	N/A	31100	30240
230 305/V8	1987-87	0B525982-0B773739	51230	51230	51140	N/A	N/A	31100	30240
230 MIE 305/V8	1981-87	5907058-0B788151	51230	51230	51110	N/A	N/A	31100	30240
230 MIE 305/V8	1981-87	5907058-0B788151	51230	51230	51110	N/A	N/A	31100	30240
230 MIE 305/V8	1981-87	5907058-0B788151	51230	51230	51140	N/A	N/A	31100	30240
5.0L 305/V8	1988-95	0B774445-0F600999	51230	51230	51140	N/A	N/A	31100	30240
5.0L (Gen +) 305/V8	1998-01	0L015751 & Up	51230	51230	51140	N/A	N/A	31100	32080
5.0L EFI (Gen +) 305/V8	1998-01	0L012052 & Up	51230	51230	51140	N/A	N/A	31100	32080
5.0L MIE 305/V8	1988-88	0B788152-0C396832	51230	51230	51140	N/A	N/A	31100	30240
5.0L MPI 305/V8	2001-01	0M300000 & Up	51230	51230	51140	N/A	N/A	31100	30240
5.0LX 305/V8	1988-95	0B773740-0F600999	51230	51230	51140	N/A	N/A	31100	30240
898 305/V8	1977-82	4766210-6218461	-	-	-	51010	51010	31100	31480
898 305/V8	1977-82	4766210-6218461	-	-	-	51010	51010	31100	31520
898 305/V8	1983-84	6218462-6899057	51230	51230	51110	N/A	N/A	31100	30240
898 305/V8	1983-84	6218462-6899057	51230	51230	51140	N/A	N/A	31100	30240
225 (GM) 327/V8	1963-68	1539620-2399397	N.L.A.	N.L.A.	N.L.A.	N.L.A.	N.L.A.	31100	N.L.A.
225 (GM) 327/V8	1968-69	2399398-2694014	N.L.A.	N.L.A.	-	51010	51010	31100	31480
225 MIE (GM) 327/V8	1968-68	2278647-2399387	N.L.A.	N.L.A.	N.L.A.	N.L.A.	N.L.A.	31100	N.L.A.
225 MIE (GM) 327/V8	1968-69	2399398-2694014	-	-	-	51010	51030	31100	31480



GLM Products, Inc.

MANIFOLD APPLICATIONS FOR MERCRUISER

Model	Year	Serial No. Range	Exhaust Mani.Port	Exhaust Mani.Stbd.	Exhaust Elbow	End Cap Front	End Cap Rear	Gasket Ex.Mani.	Gasket Ex.Elbow
250 327/V8	1968-69	2314301-2639854	-	-	-	51010	51030	31100	31480
250 MIE 327/V8	1968-69	2314301-2639854	-	-	-	51010	51030	31100	31480
250 350/V8	1977-77	4768000-4908849	-	-	-	51010	51010	31100	31480
250 350/V8	1977-77	4768000-4908849	-	-	-	51010	51010	31100	31520
255 (GM) 350/V8	1975-76	4175500-4499060	-	-	-	51010	51030	31100	31480
255 (GM) 350/V8	1975-76	4175500-4499060	-	-	-	51010	51030	31100	31480
255 (GM) 350/V8	1976-76	4499061-4767999	-	-	-	51010	51010	31100	31520
255 MIE (GM) 350/V8	1975-76	4175500-4499060	-	-	-	51010	51030	31100	31480
255 MIE (GM) 350/V8	1976-80	4499061-5907057	-	-	-	51010	51010	31100	31520
260 350/V8	1978-82	4908850-6218461	-	-	-	51010	51010	31100	31520
260 350/V8	1983-87	6218462-0B773304	51230	51230	51110	N/A	N/A	31100	30240
260 MIE 350/V8	1981-87	5907058-0F024999	51230	51230	-	N/A	N/A	31100	30240
260 MIE 350/V8	1981-87	5907058-0F024999	51230	51230	51110	N/A	N/A	31100	30240
260 MIE 350/V8	1981-87	5907058-0F024999	51230	51230	51140	N/A	N/A	31100	30240
270 350/V8	1969-72	2851074-3385720	-	-	-	51010	51030	31100	31480
270 MIE 350/V8	1969-72	2851074-3077735	-	-	-	51010	51030	31100	31480
280 TRS 350/V8	1975-76	4176250-4770199	-	-	-	51010	51030	31100	31480
280 TRS 350/V8	1975-76	4176250-4770199	-	-	-	51010	51010	31100	31520
300 350/V8	1985-86	6668677-0B430367	51230	51230	N.L.A.	N/A	N/A	31100	32080
320 EFI 350/V8	1987-89	0A543604-0C622418	51230	51230	51140	N/A	N/A	31100	30240
350 Mag Alpha 350/V8	1986-87	0A635178-0K999999	51230	51230	51140	N/A	N/A	31100	30240
350 Mag Alpha EFI 350/V8	1996-97	0F800300-0K999999	51230	51230	51140	N/A	N/A	31100	32080
350 Mag Bravo MPI 350/V8	1995-95	0F415189-0F601999	51230	51230	51140	N/A	N/A	31100	32080
350 Mag Bravo MPI (Gen +) 350/V8	1996-97	0F602000-0K999999	51230	51230	51140	N/A	N/A	31100	32080
350 Mag EFI Ski 350/V8	1994-96	0F215561-0F820706	51230	51230	51140	N/A	N/A	31100	32080
350 Mag EFI Ski (Gen +) 350/V8	1996-97	0F820707-0K999999	51230	51230	51140	N/A	N/A	31100	32080
350 Mag MPI 350/V8	1998-01	0L010019 & Up	51230	51230	51140	N/A	N/A	31100	30240
350 Mag MPI Horizon 350/V8	2001-01	0M300000 & Up	51230	51230	51140	N/A	N/A	31100	32080
350 Mag Horizon MIE 350/V8	1999-01	0L304700 & Up	51230	51230	51140	N/A	N/A	31100	32080
350 Mag MPI MIE 350/V8	1998-98	0L002008-0L304499	51230	51230	51140	N/A	N/A	31100	30240
350 Mag MPI MIE 350/V8	1999-01	0L304500-0M299999	51230	51230	51140	N/A	N/A	31100	32080
350 Mag MPI MIE 350/V8	2001-01	0M300000 & Up	51230	51230	51140	N/A	N/A	31100	30240
350 Mag MPI Ski 350/V8	1995-96	0F350583-0F799999	51230	51230	51140	N/A	N/A	31100	30240
350 Mag MPI Ski (Gen +) 350/V8	2001-01	0M300000 & Up	51230	51230	51140	N/A	N/A	31100	30240
350 Mag Ski 350/V8	1991-97	0D505450-0K999999	51230	51230	51140	N/A	N/A	31100	30240
5.7L 350/V8	1988-97	6218462-0K999999	51230	51230	51140	N/A	N/A	31100	30240
5.7L (Gen +) 350/V8	1998-01	0L010037 & Up	51230	51230	51140	N/A	N/A	31100	32080
5.7L EFI 350/V8	1995-97	0F225560-0K999999	51230	51230	51140	N/A	N/A	31100	30240
5.7L EFI (Gen +) 350/V8	1998-01	0L010035 & Up	51230	51230	51140	N/A	N/A	31100	32080
5.7L EFI MIE 350/V8	1997-97	0K40300-0K999999	-	-	51140	N/A	N/A	31100	30240
5.7L MIE 350/V8	1994-97	0F025000-0K999999	51230	51230	51140	N/A	N/A	31100	32040
5.7L EFI MIE 350/V8	1997-97	0K040300-0K999999	-	-	51140	N/A	N/A	31100	32040
5.7L MIE (Gen +) 350/V8	1998-01	0L002003 & Up	51230	51230	51140	N/A	N/A	31100	32040
5.7L Ski 350/V8	1985-95	0A338533-0F775199	51230	51230	51110	N/A	N/A	31100	32040
5.7L Ski 350/V8	1985-95	0A338533-0F775199	51230	51230	51140	N/A	N/A	31100	32040
5.7L Ski 350/V8	1996-01	0F775200 & Up	51230	51230	51140	N/A	N/A	31100	32040
5.7LX 350/V8	1996-97	0F601000-0K999999	51230	51230	51110	N/A	N/A	31100	32040
5.7LX Bravo EFI 350/V8	1996-97	0F800300-0K999999	51230	51230	51140	N/A	N/A	31100	32080
5.7 LX EFI 350/V8	1996-97	0F752400-0K999999	51230	51230	51110	N/A	N/A	31100	30240
Black Scorpion Ski 350/V8	1996-01	0F800000 & Up	51230	51230	51140	N/A	N/A	31100	32080
233 351/V8	1975-77	4173000-4902304	-	-	-	51010	51010	33790	31520
233 MIE 351/V8	1975-77	4173000-4902304	-	-	-	51030	51010	33790	31520
255 (Ford) 351/V8	1973-74	3258728-4175499	-	-	-	51010	51010	33790	31520
255 MIE (Ford) 351/V8	1973-74	3258728-4175499	-	-	-	51010	51010	33790	31520
255 MIE (Ford) 351/V8	1973-74	3258728-4175499	-	-	-	51030	51010	33790	31520
377 Scorpion MCM 377/V8	2000-01	0L416146 & Up	51230	51230	51140	N/A	N/A	31100	32080
377 Scorpion Ski 377/V8	1997-98	0K000656 & Up	51230	51230	51140	N/A	N/A	31100	30240
MX 6.2L MPI 377/V8	2000-01	0L68003-0M299999	51230	51230	51140	N/A	N/A	31100	32080
MX 6.2L MPI 377/V8	2001-	0M300000 & Up	51230	51230	51140	N/A	N/A	31100	30240
MX 6.2L MPI Horizon 377/V8	2001-	0M300000 & Up	51230	51230	51140	N/A	N/A	31100	32080
MX 6.2L MPI Horizon MIE 377/V8	2001-	0M300000 & Up	51230	51230	51140	N/A	N/A	31100	32080
MX 6.2L MPI MIE 377/V8	2001-	0M300000 & Up	51230	51230	51140	N/A	N/A	31100	30240
325 427/V8	1968-68	2278747-2313964	N.L.A.	N.L.A.	N.L.A.	N.L.A.	N.L.A.	33760	N.L.A.

MANIFOLD APPLICATIONS FOR MERCURUISER

Model	Year	Serial No. Range	Exhaust Mani.Port	Exhaust Mani.Stbd.	Exhaust Elbow	End Cap Front	End Cap Rear	Gasket Ex.Mani.	Gasket Ex.Elbow
325 427/V8	1968-74	2313965-3780449	-	-	-	51010	51030	33760	31480
325 MIE 437/V8	1968-68	2278747-2313964	N.L.A.	N.L.A.	N.L.A.	N.L.A.	N.L.A.	33760	N.L.A.
325 MIE 427/V8	1968-74	2313965-3780449	-	-	-	51010	51030	33760	31480
330 454/V8	1977-81	4623115-6083144	-	-	-	51010	51010	33760	31480
330 454/V8	1982-87	6083145-0B816540	51240	51240	51110	N/A	N/A	33760	30240
330 454/V8	1982-87	6083145-0B816540	51240	51240	51140	N/A	N/A	33760	30240
330 MIE 454/V8	1977-81	4623115-6083144	-	-	-	51010	51010	33760	31480
340 MIE w/B/W 454/V8	1981-87	5889914-0B788365	51240	51240	-	N/A	N/A	33760	30240
340 MIE w/B/W 454/V8	1981-87	5889914-0B788365	51240	51240	51110	N/A	N/A	33760	30240
340 MIE w/B/W 454/V8	1981-87	5889914-0B788365	51240	51240	51140	N/A	N/A	33760	30240
350 MIE 454/V8	1974-75	3780450-4501640	-	-	-	51010	51030	33760	31480
350 MIE 454/V8	1976-76	4501641-4623109	-	-	-	51010	51010	33760	31480
370 TRS 454/V8	1978-85	4179554-6721527	-	-	-	51010	51030	33760	31480
370 TRS 454/V8	1985-87	6721528-0B714586	51240	51240	51140	N/A	N/A	33760	32080
400 TRS 454/V8	1980-86	4179554-0B457644	-	-	-	51010	51030	33760	31480
420 454/V8	1987-89	0A398941-0B622418	-	-	N.L.A.	N/A	N/A	33760	-
425 454/V8	1990-92	0A398941-0D937011	-	-	-	N/A	N/A	33760	-
450 454/V8	1995-96	0F347100-0F347277	-	-	-	N/A	N/A	33760	-
450 454/V8	1995-96	0F347100-0F347277	-	-	-	N/A	N/A	33760	-
450 454/V8	1995-96	0F347100-0F347277	-	-	-	N/A	N/A	33760	-
454 Mag Alpha 454/V8	1986-88	0A631894-0B785148	51240	51240	51140	N/A	N/A	33760	30240
454 Mag Bravo 454/V8	1988-97	0B721206-0K999999	51240	51240	51140	N/A	N/A	33760	30240
454 Mag EFI 454/V8	1994-95	0F115700-0F802349	51240	51240	51140	N/A	N/A	33760	30240
454 Mag EFI Ski 454/V8	1995-96	0F215800-0F820099	51240	51240	51140	N/A	N/A	33760	30240
454 Mag MPI 454/V8	1996-01	0F802350 & Up	51240	51240	51140	N/A	N/A	33760	30240
454 Mag MPI Horizon MIE 454/V8	1998-01	0L002200 & Up	51240	51240	51140	N/A	N/A	33760	30240
454 Mag MPI Ski 454/V8	1996-97	0F820100-0K999999	51240	51240	51140	N/A1	N/A	33760	30240
525 SC w/Bravo 454/V8	1991-96	0D456000-0F877734	-	-	-	N/A	N/A	33760	-
525 SC w/Bravo 454/V8	1991-96	0D456000-0F877734	-	-	-	N/A	N/A	33760	-
525 SC w/SSM 454/V8	1991-96	0D456000-0F877734	-	-	-	N/A	N/A	33760	-
525 SC w/SSM 454/V8	1991-96	0D456000-0F877734	-	-	-	N/A	N/A	33760	-
525 SC 454/V8	1997-97	0K000012 & Up	-	-	N/A	N/A	N/A	-	N/A
7.4L Bravo 454/V8	1988-97	0B771113-0K999999	51240	-	51140	N/A	N/A	33760	30240
7.4L MIE 454/V8	1996-97	0F874815-0K999999	51240	-	51140	N/A	N/A	33760	30240
7.4L MIE w/B/W 454/V8	1988-92	0B788366-0D715493	51240	-	-	N/A	N/A	33760	30240
7.4L MIE w/B/W 454/V8	1988-92	0B788366-0D715493	51240	-	51110	N/A	N/A	33760	30240
7.4L MIE w/B/W 454/V8	1988-92	0B788366-0D715493	51240	-	51140	N/A	N/A	33760	30240
7.4L MIE w/Hurth 454/V8	1989-92	0C391564-0D715493	51240	-	51140	N/A	N/A	33760	30240
7.4L MIE 454/V8	1992-97	0D715494-0K999999	51240	-	51140	N/A	N/A	33760	30240
7.4L MPI 454/V8	1998-01	0L010003 & Up	51240	-	51140	N/A	N/A	33760	30240
7.4L MPI MIE 454/V8	1995-01	0F563052 & Up	51240	-	51140	N/A	N/A	33760	30240
7.4LX Bravo EFI 454/V8	1996-97	0F820000-0K999999	51240	-	51140	N/A	N/A	33760	30240
7.4LX Bravo MPI 454/V8	1996-97	0F602010-0K999999	51240	-	51140	N/A	N/A	33760	30240
390 MCM/MIE 482/V8	1969-70	2781129-3042731	-	-	-	51030	51030	33760	31480
465 502/V8	1990-94	0C849992-0F213244	-	-	-	N/A	N/A	33760	-
500 Bravo 502/V8	1994-98	0F213293-0L001772	-	-	-	N/A	N/A	33760	-
500 (Gen +) 502/V8	1999-00	0L414639-	-	-	-	N/A	N/A	33760	-
502 Mag Bravo 502/V8	1990-93	0C878221-0F114528	51240	51240	51140	N/A	N/A	33760	30240
502 Mag EFI 502/V8	1993-95	0D840650-0F802599	51240	51240	51140	N/A	N/A	33760	30240
502 Mag MPI 502/V8	1996-01	0F802600 & Up	51240	51240	51140	N/A	N/A	33760	30240
600 SC 502/V8	1991-96	0D456489-0F877642	-	-	N/A	N/A	N/A	33760	-
600 SC 502/V8	1997-97	0K000227 & Up	-	-	N/A	N/A	N/A	-	N/A
8.2L MIE 502/V8	1990-96	0C878221-0F819619	51240	51240	51140	N/A	N/A	33760	30240
8.2L MPI MIE 502/V8	1996-01	0F819620 & Up	51240	51240	51140	N/A	N/A	33760	30240
500 Bulldog w/ Bravo 540/V8	1990-98	0C577254-0L001607	-	-	-	N/A	N/A	33760	-
500 Bulldog w/ Bravo 540/V8	1990-98	0C577254-0L001607	-	-	-	N/A	N/A	33760	-
500 Bulldog w/ Bravo 540/V8	1990-98	0C577254-0L001607	-	-	-	N/A	N/A	33760	-
500 Bulldog w/ Bravo 540/V8	1999-00	0L414620-	-	-	-	N/A	N/A	33760	-
500 Bulldog w/ SSM 540/V8	1990-00	0C577254 & Up	-	-	-	N/A	N/A	33760	-
800 SC 572/V8	1993-96	0D763836 & Up	-	-	-	N/A	N/A	-	-

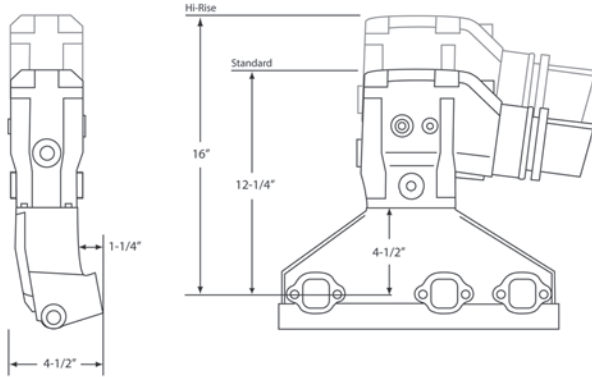


GLM Products, Inc.

OMC Exhaust Manifold Dimensions

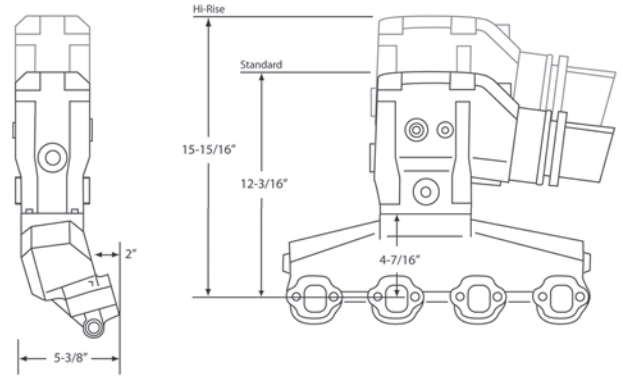
V6 (1986 & Up)

- No. 51330** OEM: 3857944 / EXHAUST ELBOW (Standard)
- No. 51337** OEM: 3862627 / EXHAUST ELBOW (Hi-Rise)
- No. 51480** OEM: 3857656 / EXHAUST MANIFOLD



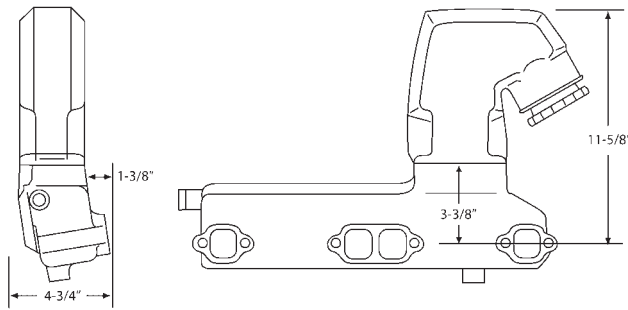
V8 S.B. (1991 & Up)

- No. 51330** OEM: 3857944 / EXHAUST ELBOW (Standard)
- No. 51337** OEM: 3862627 / EXHAUST ELBOW (Hi-Rise)
- No. 51490** OEM: 3852347 / EXHAUST MANIFOLD



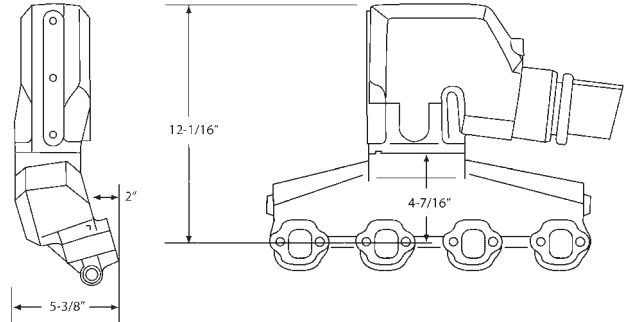
V8 S.B. (1979-88)

- No. 51320** OEM: 909863 / EXHAUST ELBOW
- No. 51410** OEM: 912441 / EXHAUST MANIFOLD



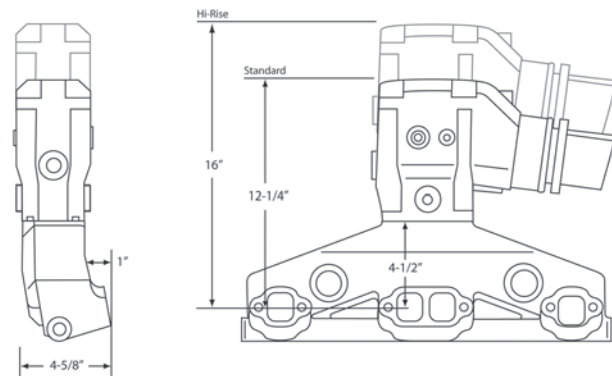
V8 S.B. (1991 & Up) - EFI

- No. 51332** OEM: 3855271 / EXHAUST ELBOW EFI (Port)
- No. 51334** OEM: 3855269 / EXHAUST ELBOW EFI (Starboard)
- No. 51490** OEM: 3852347 / EXHAUST MANIFOLD



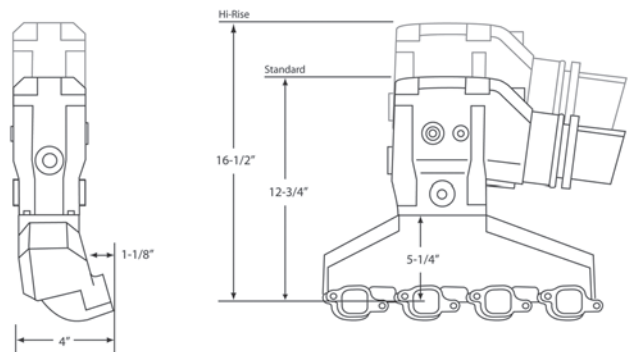
V8 S.B. (1989 & Up)

- No. 51330** OEM: 3857944 / EXHAUST ELBOW (Standard)
- No. 51337** OEM: 3862627 / EXHAUST ELBOW (Hi-Rise)
- No. 51430** OEM: 3857723 / EXHAUST MANIFOLD



V8 B.B. (1991 & Up)

- No. 51330** OEM: 3857944 / EXHAUST ELBOW (Standard)
- No. 51337** OEM: 3862627 / EXHAUST ELBOW (Hi-Rise)
- No. 51500** OEM: 3861459 / EXHAUST MANIFOLD



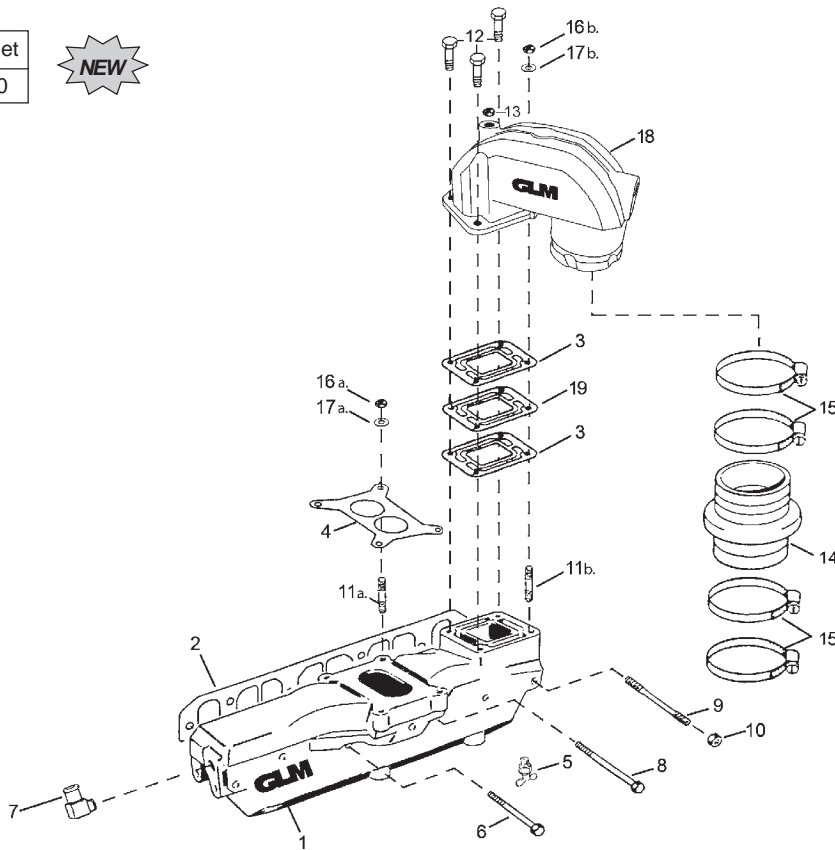
GLM Products, Inc.

MODEL 3.0/3.0 H.O. - GM 181 CID, 4-CYL. (1991 & UP)

Manifold Set
No. 58450



20



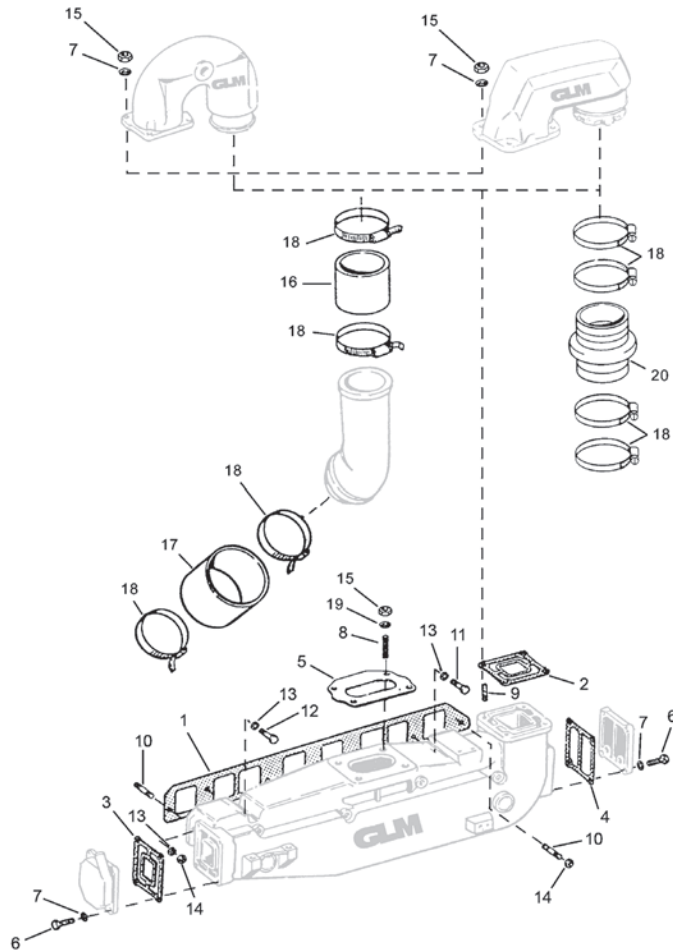
Ref No.	GLM No.	OEM No.	Description	Qty.
1	51450	3858870	Exhaust Manifold - Cast Iron	1
2*	33580	3853256	Gasket - Exhaust Manifold	1
3*	33770	3850495	Gasket - Exhaust Elbow	2
4*	30382	3853283	Gasket - Carburetor	1
5*	13993	82745	Drain Cock	1
6	22315	3853430	Screw	3
7*	13970	3852538	Elbow Fitting - Exhaust Manifold	1
8	21757	3853431	Screw	1
9	22488	3853378	Stud - Exhaust Manifold	2
10	21248	3853404	Locknut	2
11a.	22482	3853373	Stud - Carburetor	4
11b.	22482	3853373	Stud - Exhaust Manifold	1
12	21753	3853397	Screw - Exhaust Elbow	3
13	21887	22-36382	Plug	2
14	89222	3852741	Exhaust Hose	1
15	01090	3852604	Clamp	4
16a.	19354	11-862902	Nut - Carburetor	4
16b.	19354	11-862902	Nut - Exhaust Manifold	1
17a.	21664	12-20084	Washer - Carburetor	4
17b.	21664	12-20084	Washer - Exhaust Manifold	1
18	51340	3863071	Exhaust Elbow	1
19	50007	3853628	Restrictor	1
20	58450	-	Manifold Set	1

* Included with Manifold No. 51450



GLM Products, Inc.

MODEL 140 - GM 181 CID, 3.0L, 4-CYL. (1973-90)



Ref No.	GLM No.	OEM No.	Description	Qty.
1	31570	908079	Gasket - Exhaust Manifold	1
2	33770	3850495	Gasket - Exhaust Elbow	1
3	33330	311121	Gasket - End Cap	1
4	32580	907761	Gasket - End Cap	1
5	34700	315055	Gasket - Carburetor	1
6	22362	317624	Screw - End Cap	1
7	21496	306470	Lockwasher	1
8	22482	3853373	Stud - Carburetor	8
9	22483	310870	Stud - Exhaust Elbow	12
10	22484	3852093	Stud - Exhaust Manifold	4
11	22399	907891	Screw	4
12	22376	201809	Screw	2
13	21493	3852002	Lockwasher	1
14	21160	552938	Nut	3
15	21249	316355	Nut	1
16	89221	909232	Exhaust Hose	1
17	89223	909371	Exhaust Hose	8
18	01090	3852604	Clamp	1
19	21494	-	Washer	1
20	89222	3852741	Exhaust Hose	4

TOC

Manifolds-Merc.

Manifolds-OMC

Manifolds-Volvo

Manifolds-Barr

MerCruiser

Merc / Mar / For

OMC / Volvo

Johnson / Evin

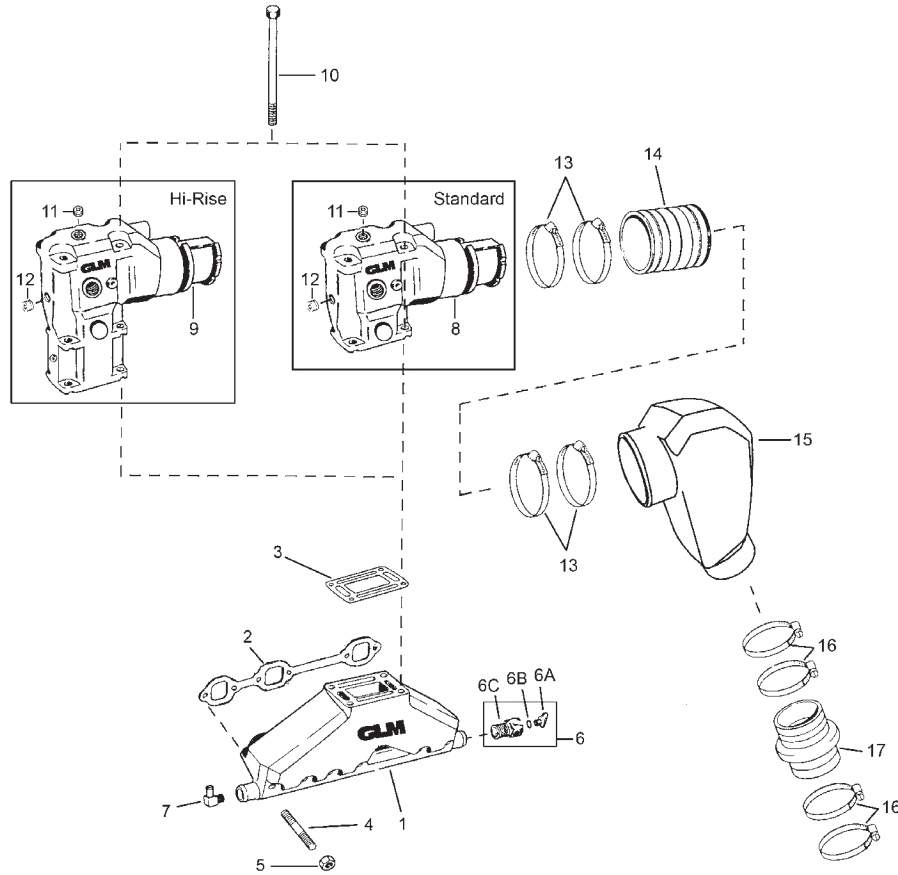
Yamaha

Index / X-Ref.

Warranty

GLM Products, Inc.

MODEL 4.3L - GM 262 CID, V6 (1986 & UP)



Ref No.	GLM No.	OEM No.	Description	Qty.
1	51480	3857656	Exhaust Manifold Assembly	1
2*	32170	3853412	Gasket - Exhaust Manifold	1
3*	33810	909786	Gasket - Exhaust Elbow	1
4	22487	3852467	Stud	6
5	21248	3853404	Nut	6
6*	13982	-	Straight Fitting	1
6A*	13992	806608A02	Drain Plug Kit	1
6B*	80140	304174	O-Ring	1
6C*	13983	-	Straight Fitting	1
7*	13970	3852538	Elbow Fitting	1
8	51330	3857944	Standard Exhaust Elbow Assembly	1
9	51337	3862627	Hi-Rise, Single-Piece Exhaust Elbow Assembly	1
10	22398	3852830	Screw	4
11	22379	-	Plug	1
12	21896	315713	Plug	1
13	01100	3853860	Clamp	4
14	89224	3852696	Exhaust Hose	1
15	50790	3853372	Exhaust Tube	1
16	01090	3852604	Clamp	4
17	89222	3852741	Exhaust Hose	1

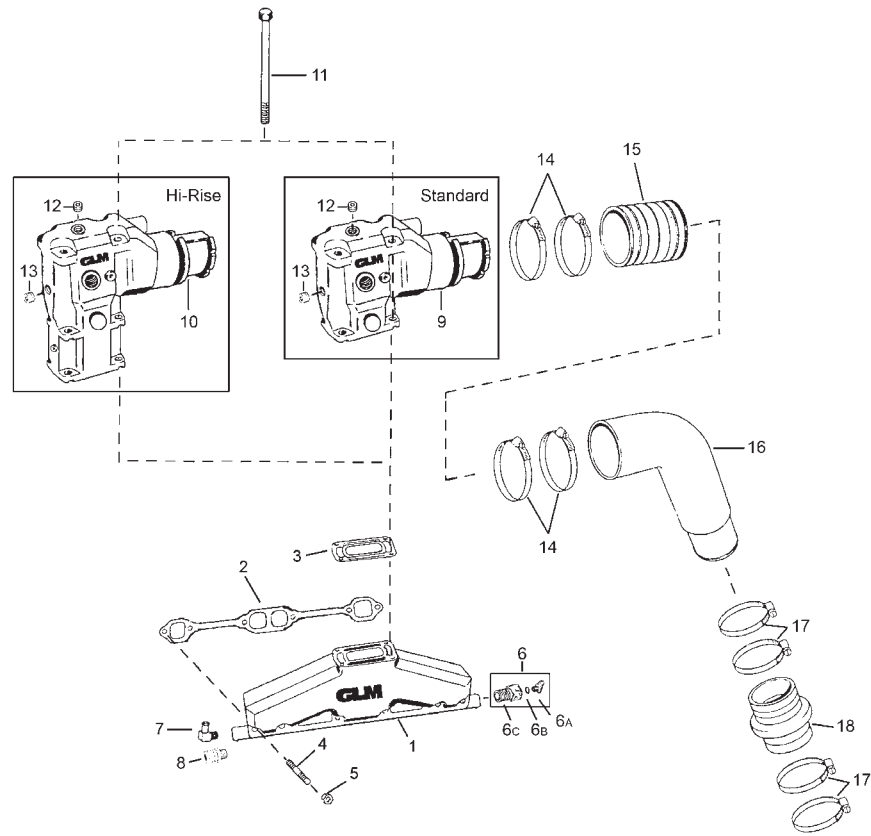
* Included with Manifold No. 51480



TOC
Manifolds-Merc.
Manifolds-OMC
Manifolds-Volvo
Manifolds-Barr
MerCruiser
Merc / Mar / For
OMC / Volvo
Johnson / Evin
Yamaha
Index / X-Ref.
Warranty

GLM Products, Inc.

MODEL 5.0L/5.7L - GM 305/350 CID, V8 S.B. (1989 & UP)

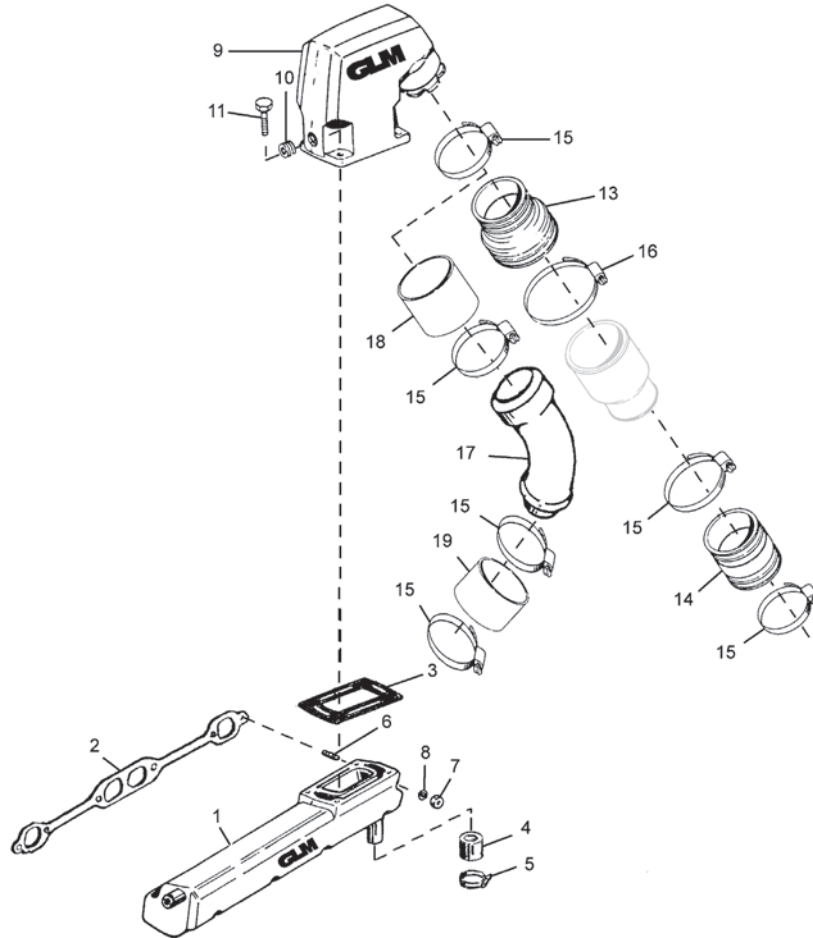


Ref No.	GLM No.	OEM No.	Description	Qty.
1	51430	3857723	Exhaust Manifold Assembly	1
2*	31100	3852468	Gasket - Exhaust Manifold	1
3*	33810	909786	Gasket - Exhaust Elbow	1
4	22487	3852467	Stud	6
5	21248	3853404	Locknut	6
6*	13982	-	Straight Fitting Kit	1
6A*	13992	806608A02	Drain Plug Kit	1
6B*	80140	304174	O-Ring	1
6C*	13983	-	Reducer	1
7*	13970	3852538	Elbow Fitting	1
8*	13985	-	Straight Fitting	1
9	51330	3857944	Standard Exhaust Elbow Assembly	1
10	51337	3862627	Hi-Rise, Single-Piece Exhaust Elbow Assembly	1
11	22398	3852830	Screw	4
12	22379	-	Plug	1
13	21896	315713	Plug	1
14	01100	3853860	Clamp	4
15	89224	3852696	Exhaust Hose	1
16	50780	763891	Exhaust Tube	1
17	01090	3852604	Clamp	4
18	89222	3852741	Exhaust Hose	1

* Included with Manifold No. 51430

GLM Products, Inc.

MODEL 800 SERIES - GM 305/350 CID, V8 S.B. (1979-88)



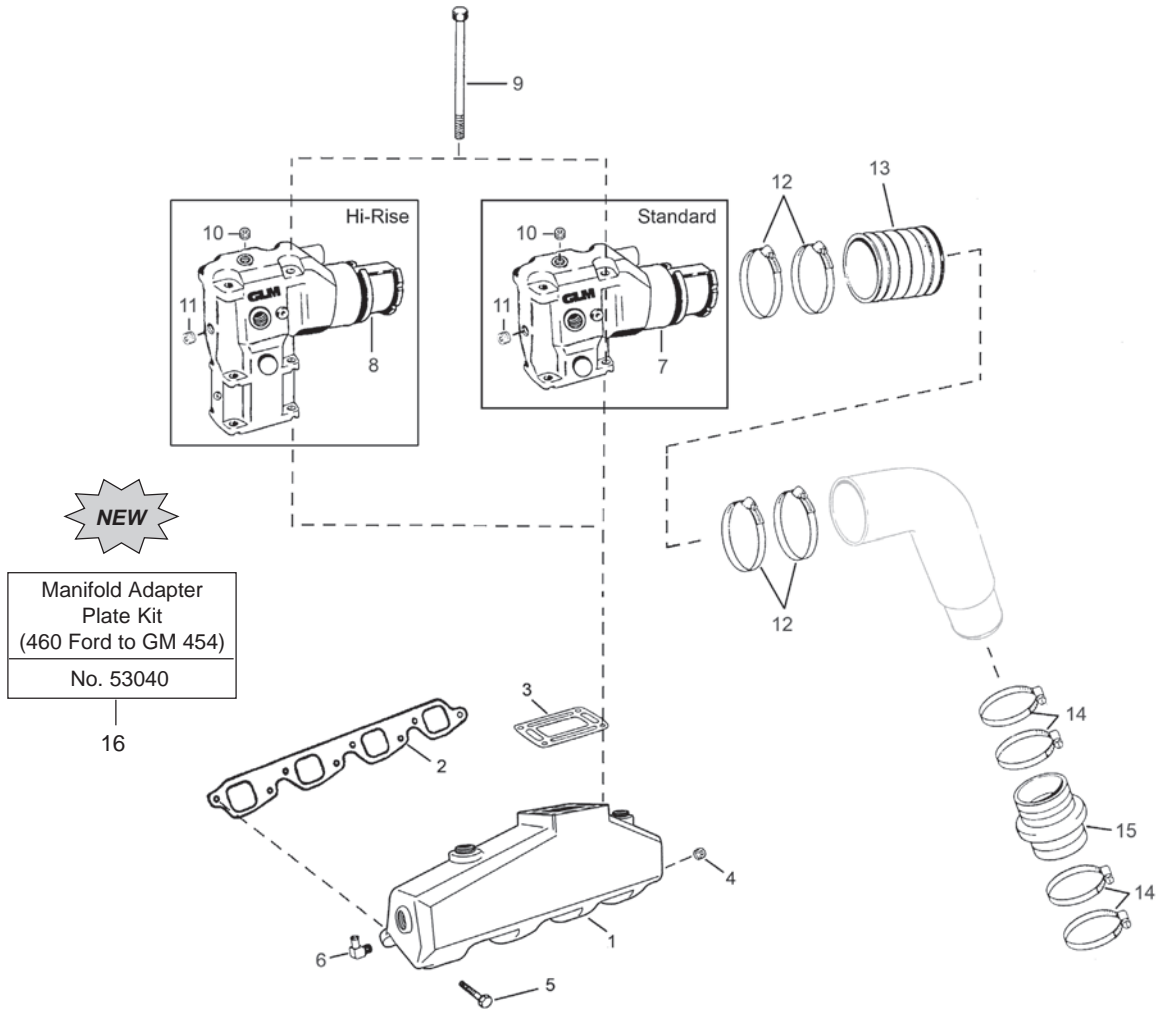
Ref No.	GLM No.	OEM No.	Description	Qty.
1	51410	912441	Exhaust Manifold Assembly - STBD	1
1	51420	912442	Exhaust Manifold Assembly - PORT	1
2*	31100	3852468	Gasket - Exhaust Manifold	1
3*	33810	909786	Gasket - Exhaust Elbow	1
4	22280	764799	Cap	1
5	21791	3853786	Clamp	1
6	22487	3852467	Stud	6
7	21248	3853404	Nut	6
8	21493	309336	Lockwasher	6
9	51320	909863	Exhaust Elbow Assembly	1
10	21896	315713	Plug	1
11	21753	3853397	Screw	4
13	89220	912374	Exhaust Hose (Cobra)	1
14	89230	3852742	Exhaust Hose (Cobra)	1
15	01090	3852604	Clamp	3&4
16	01200	984387	Clamp	1
17	50730	909609	Elbow Tube - STBD (Stringer Mount)	1
17	50740	909610	Elbow Tube - PORT (Stringer Mount)	1
18	89221	909232	Exhaust Hose	1
19	89223	909371	Exhaust Hose	1

* Included with Manifolds No. 51410 & 51420



GLM Products, Inc.

MODEL 7.4/8.2L - V8 B.B., GM 454/502 CID (1991 & UP)



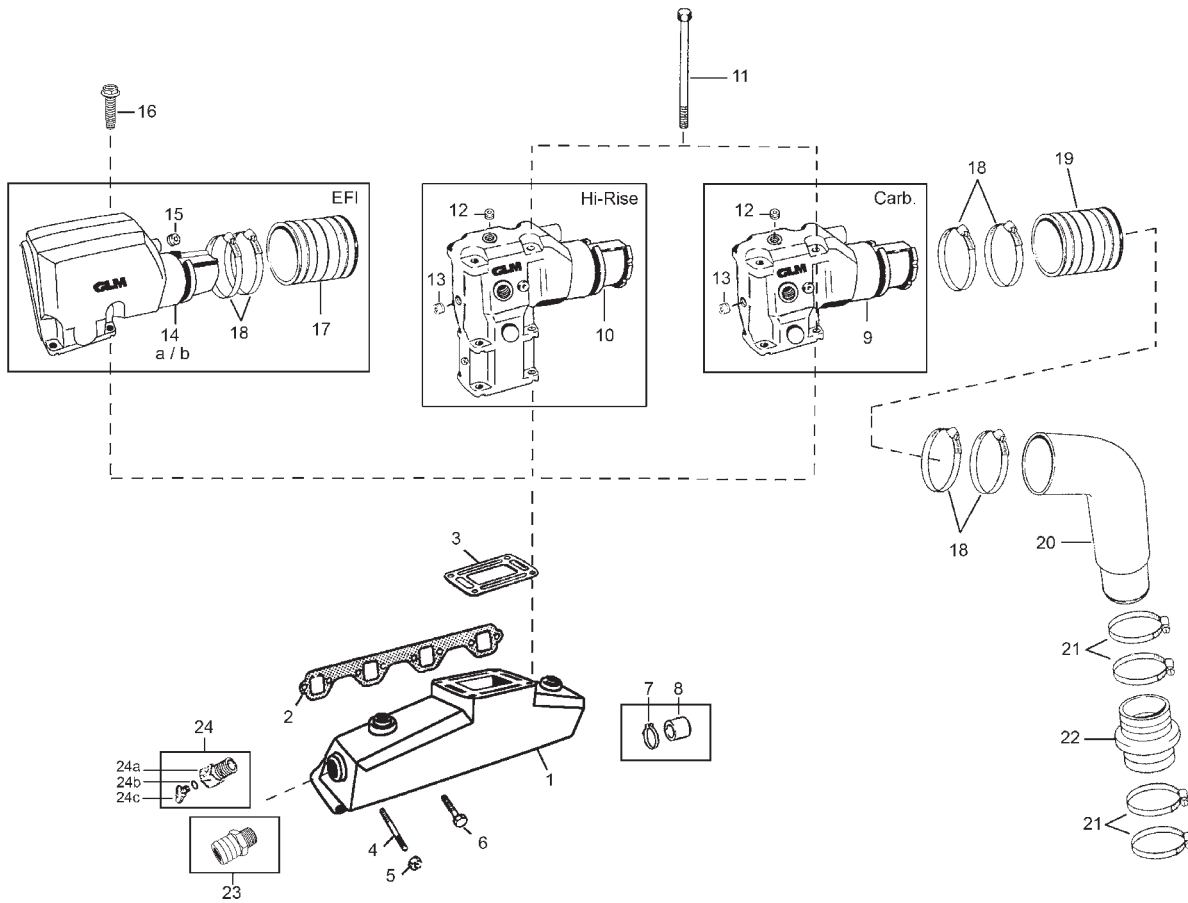
Ref No.	GLM No.	OEM No.	Description	Qty.
1	51500	3861459	Exhaust Manifold	1
2*	33760	3852472	Gasket - Exhaust Manifold	1
3*	33810	909786	Gasket - Exhaust Elbow	1
4*	21874	-	Plug	1
5	21755	3853326	Screw 3/8 - 16 x 1 1/4 Flange	8
6*	13970	3852538	Elbow Fitting	1
7	51330	3857944	Standard Exhaust Elbow Assembly	1
8	51337	3862627	Hi-Rise Single-Piece Exhaust Elbow Assembly	1
9	22398	3852830	Screw	4
10	22379	-	Plug	1
11	21896	315713	Plug	1
12	01100	3853860	Clamp	4
13	89224	3852696	Exhaust Hose	1
14	01090	3852604	Clamp	4
15	89222	3852741	Exhaust Hose	1
16	53040	N/A	Manifold Adapter Plate Kit for Ford 460 to GM 454	1

* Included with Manifold No. 51500

TOC
Manifolds-Merc.
Manifolds-OMC
Manifolds-Volvo
Manifolds-Barr
MerCruiser
Merc / Mar / For
OMC / Volvo
Johnson / Evin
Yamaha
Index / X-Ref.
Warranty

GLM Products, Inc.

MODEL 5.0/5.8L/5.8 & 351 KING EFI - V8, FORD 302/351 CID (1991 & UP)



Ref No.	GLM No.	OEM No.	Description	Qty.	Ref No.	GLM No.	OEM No.	Description	Qty.
1	51490	3852347	Exhaust Manifold Assembly	1	17	89229	3853608	Exhaust Hose (1993-96 EFI)	1
2*	33790	3852455	Gasket - Exhaust Manifold	1	18	01100	3853860	Clamp	4
3*	33810	909786	Gasket - Exhaust Elbow	1	19	89224	3852696	Exhaust Hose (1998-96 Carb.)	1
4	22486	3853434	Stud	5	20	50700	3853386	Exhaust Tube (5.8L)	1
5	21248	3853404	Nut	5	20	50800	3853384	Exhaust Tube (5.0L)	1
6	21755	3853155	Screw	3	21	01090	3852604	Clamp	4
7	01071	912627	Clamp (For OEM Design)	1	22	89222	3852741	Exhaust Hose	1
8	22290	3852476	Cap (For OEM Design)	1	23*	13985	N/A	Straight Fitting	1
9	51330	3857944	Ex. Elbow Assy. ('88-96 Carb.)	1	24*	13982	N/A	Straight Fitting Kit	1
10	51337	3862627	Hi-Rise Single-Piece Exhaust Elbow	1	24a*	13983	-	Reducer	1
11	22398	3852830	Screw (Carb.)	4	24b*	80140	304174	O-Ring	1
12	22379	-	Plug (Carb)	1	24c*	13992	806608A02	Drain Plug Kit	1
13	21896	315713	Plug (Carb)	1					
14a.	51332	3855271	Ex. Elbow Assy. - PORT ('93-96 EFI)	1					
14b.	51334	3855269	Ex. Elbow Assy. - STBD ('93-96 EFI)	1					
15	21889	-	Plug (EFI)	1					
16	21755	3853326	Screw (EFI)	4					

* Included with Manifold No. 51490



TOC
Manifolds-Merc.
Manifolds-OMC
Manifolds-Volvo
Manifolds-Volvo
Manifolds-Barr
MerCruiser
Merc / Mar / For
OMC / Volvo
Johnson / Evin
Yamaha
Index / X-Ref.
Warranty

GLM Products, Inc.

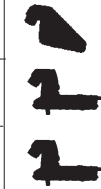
100% Complete Conversion Kits



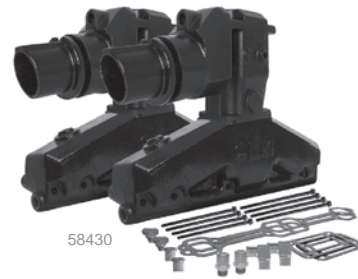
- V6 **58995** GM V6 262, 4.3L (1986-1990)
Single-Piece Manifolds to Center Rise.

- V8 **58497** FORD V8 Small Block, 5.8L
Log Style Manifolds to Center Rise.

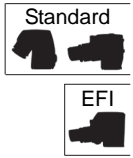
- V8 **58498** FORD V8 Small Block, 5.0L
Log Style Manifolds to Center Rise.



100% Complete Manifold Sets V8 S.B.



- V8sb **58410** GM 305/350 CID (1979-89)
- V8sb **58430** GM 305/350 CID (1990 & Up)
- V8sb **58490** FORD 302/351 CID (Carb. Engine)
- V8sb **58491** FORD 302/351 CID (EFI Engine)



100% Complete Manifold Set 4-Cyl.



4Cyl. **58450** Model 3.0/3.0 H.O. GM 181 CID (1991 & Up)

100% Complete Manifold Sets V8 S.B. with Hi-Rise Single-Piece Elbows



- V8sb **58437** GM 305/350 CID (1990 & Up)
- V8sb **58492** FORD 302/351 CID (Carb.)



100% Complete Manifold Sets V6



V6 **58480** GM 262 CID (1991 & Up)



100% Complete Manifold Sets V8 B.B



V8bb **58500** GM 454/502 CID (1991 & Up)



100% Complete Manifold Sets V6 with Hi-Rise Single-Piece Elbows



V6 **58487** GM 262 CID (1991 & Up)



100% Complete Manifold Sets V8 B.B. with Hi-Rise Single-Piece Elbows



V8bb **58507** GM 454/502 CID (1991 & Up)



TOC

Manifolds-Merc.

Manifolds-OMC

Manifolds-Volvo

Manifolds-Bar

MerCruiser

Merc / Mar / For

OMC / Volvo

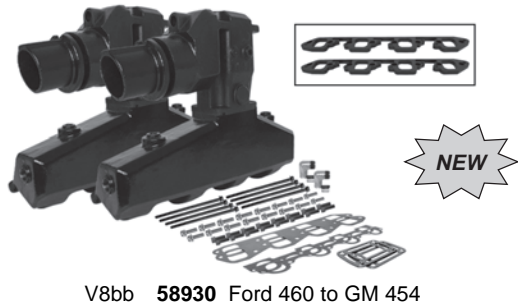
Johnson / Evin

Yamaha

Index / X-Ref.

Warranty

460 Adapter Kit Complete



V8bb **58930** Ford 460 to GM 454

Exhaust Flapper Valves



- 3" **89240** (OEM: 34765A1) 3 inch Flapper with Clamp
- 4" **89250** (OEM: 12644A1) 4 inch Flapper with Clamp
- 5" / 6" **89260** (OEM: N/A) 5 / 6 inch Flapper with Clamp

Manifold Adapter Plate & Kit



- V8bb **53040** Adapter Plate Kit - Ford 460 to GM 454
- V8bb **50040** Adapter Plate Only - Ford 460 to GM 454

Exhaust Manifold Gasket & Hardware Kits



With Hardware	Without Hardware	
-	39780 N/A	GM 153 CID (2.5L) (1965-85)
-	39790 N/A	GM 3.0L 140 HP (1973-86)
-	39770 N/A	GM 2.5L/3.0L (1985-88)
53772 N/A	39771 N/A	GM 181 CID (3.0L) (1991 & Up)
-	39772 N/A	GM V6 229 CID (3.8L) (1981-86)
53773 N/A	39773 N/A	GM V6 262 CID (4.3L) (1991 & Up)
53910 N/A	39910 N/A	GM V8 Small Block For Log Style Manifold
53911 N/A	39910 N/A	GM V8 Small Block For Center Rise Manifold
53920 N/A	39920 N/A	Ford V8 302/351 CID (53920 for Carb.)
53921 N/A	39920 N/A	Ford V8 302/351 CID (53921 for EFI)
53940 N/A	39940 N/A	GM 454/502 CID V8 Big Block

Exhaust Bellows / Hoses



- Upper Hose **89220** (OEM: 912374) 7.5 460 (1987), 5.0/5.8 Ford (1989-90), 5.7 (Late 1986-88)
- Upper Hose **89221** (OEM: 909232) 175-235 HP (1977-86)
- Upper Hose **89224** (OEM: 3852696) 4.3 (1991), 5.0/5.8 7.5 460 (1988-89), 5.7LE (1990-91), All Cone Clutch (1990-91)
- Exhaust Hose **89229** (OEM: 3853608) 5.0/5.8 EFI (1993-96)
- Lower Hose **89222** (OEM: 3852741) 2.5 (1986), 3.0 (1986-91), 2.3 (1989-90), 4.3 (1990-91) 5.0/5.8 Ford (1991), 5.7 (Early 1986)
- Lower Hose **89223** (OEM: 909371) 175-235 HP (1977-86)
- Lower Hose **89230** (OEM: 3852742) 2.3 (1987-88), 4.3 (1987), 5.0/5.8 Ford (1989-90), 5.7 (late 1986), 5.7 (1987-91), All Cone Clutch (1990-91), 350/454/454 HO/460 King, 5.7 LE (1990-91)

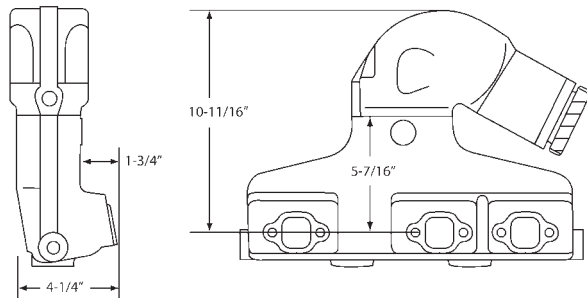


**SUS 316
Hose Clamps**

- For 89920 (small side), **01090** (OEM: 3852604)
89221, 89222, 89223, 89230
- For 89224, 89229 **01100** (OEM: 3853860)
- For 89220 (large side) **01200** (OEM: 984387)

**Volvo Penta Exhaust Manifold Dimension
V6 (1993 & Before)**

- No. 51520** OEM: 857037-6 / EXHAUST ELBOW
- No. 51640** OEM: 856894 / EXHAUST MANIFOLD

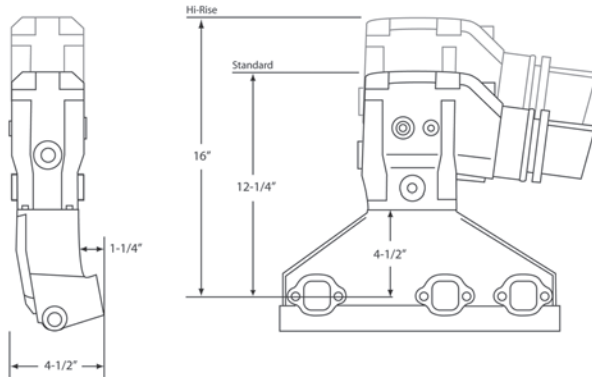


GLM Products, Inc.

Volvo Penta Exhaust Manifold Dimensions

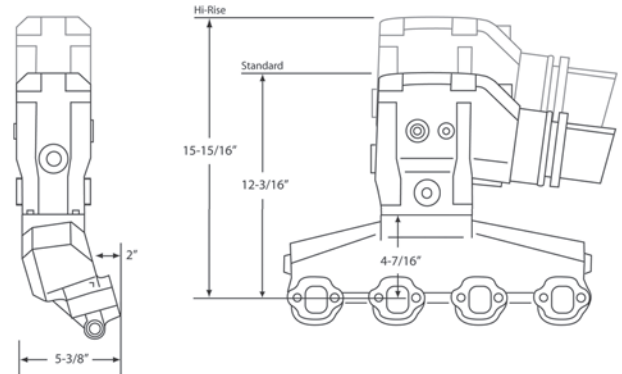
V6 (1994 & Up)

- No. 51330** OEM: 3857944 / EXHAUST ELBOW (Standard)
- No. 51337** OEM: 3862627 / EXHAUST ELBOW (Hi-Rise)
- No. 51480** OEM: 3857656 / EXHAUST MANIFOLD



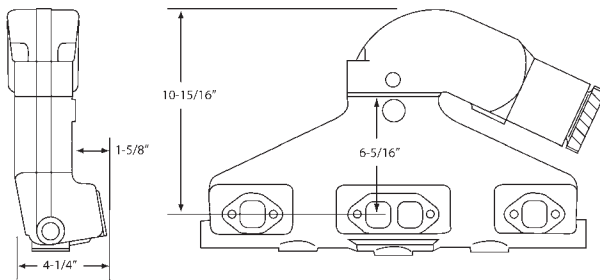
V8 S.B. (1994 & Up)

- No. 51330** OEM: 3857944 / EXHAUST ELBOW (Standard)
- No. 51337** OEM: 3862627 / EXHAUST ELBOW (Hi-Rise)
- No. 51490** OEM: 3852347 / EXHAUST MANIFOLD



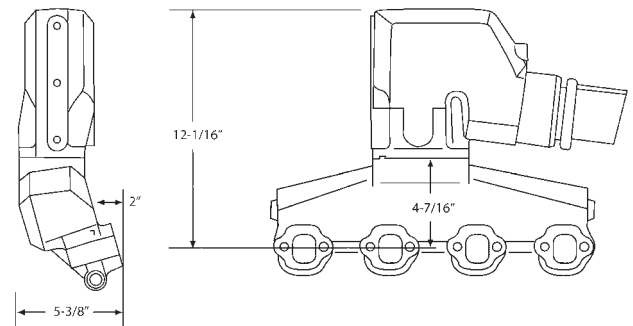
V8 S.B. (1993 & Before)

- No. 51510** OEM: 856891 / EXHAUST ELBOW
- No. 51630** OEM: 856883 / EXHAUST MANIFOLD



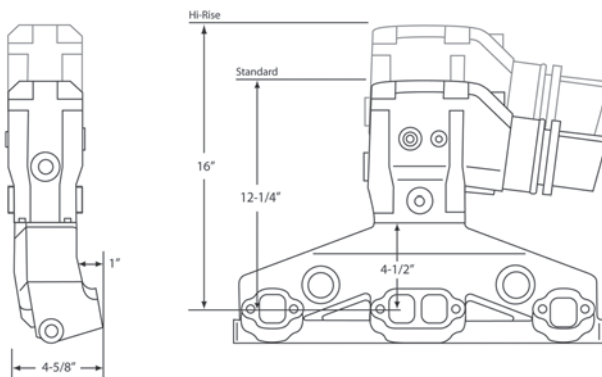
V8 S.B. (1994 & Up) - EFI

- No. 51332** OEM: 3855271 / EXHAUST ELBOW EFI (Port)
- No. 51334** OEM: 3855269 / EXHAUST ELBOW EFI (Starboard)
- No. 51490** OEM: 3852347 / EXHAUST MANIFOLD



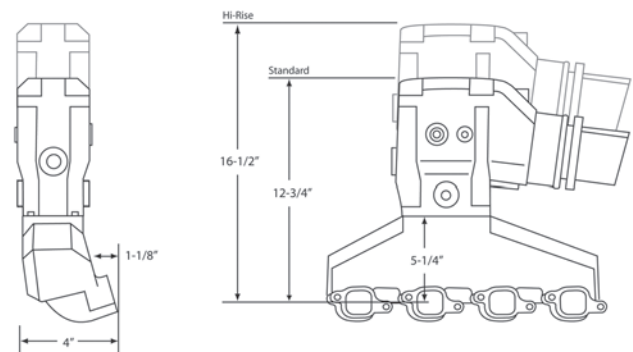
V8 S.B. (1994 & Up)

- No. 51330** OEM: 3857944 / EXHAUST ELBOW (Standard)
- No. 51337** OEM: 3862627 / EXHAUST ELBOW (Hi-Rise)
- No. 51430** OEM: 3857723 / EXHAUST MANIFOLD



V8 B.B. (1994 & Up)

- No. 51330** OEM: 3857944 / EXHAUST ELBOW (Standard)
- No. 51337** OEM: 3862627 / EXHAUST ELBOW (Hi-Rise)
- No. 51500** OEM: 3861459 / EXHAUST MANIFOLD

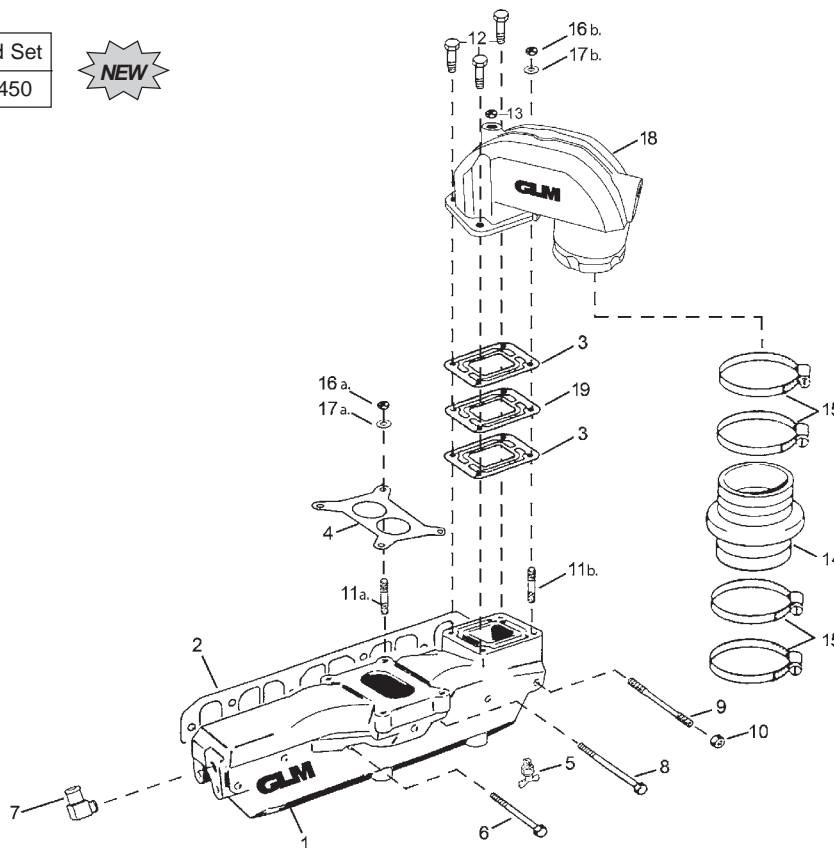


MODEL 3.0GS - GM 181 CID, 4-CYL. (1994 & UP)

Manifold Set
No. 58450



20



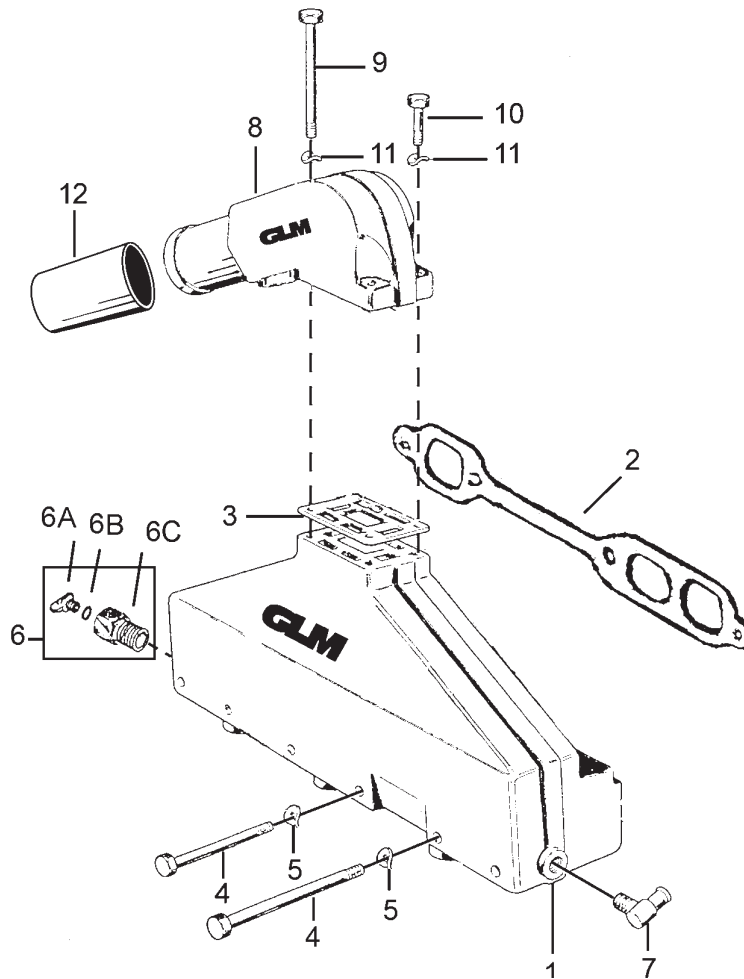
Ref No.	GLM No.	OEM No.	Description	Qty.
1	51450	3858870	Exhaust Manifold - Cast Iron	1
2*	33580	3853256	Gasket - Exhaust Manifold	1
3*	33770	3850495	Gasket - Exhaust Elbow	2
4*	30382	3853283	Gasket - Carburetor	1
5*	13993	82745	Drain Cock	1
6	22315	3853430	Screw	3
7*	13970	3852538	Elbow Fitting - Exhaust Manifold	1
8	21757	3853431	Screw	1
9	22488	3853378	Stud - Exhaust Manifold	2
10	21248	3853404	Locknut	2
11a.	22482	3853373	Stud - Carburetor	4
11b.	22482	3853373	Stud - Exhaust Manifold	1
12	21753	3853397	Screw - Exhaust Elbow	3
13	21887	22-36382	Plug	2
14	89222	3852741	Exhaust Hose	1
15	01090	3852604	Clamp	4
16a.	19354	11-862902	Nut - Carburetor	4
16b.	19354	11-862902	Nut - Exhaust Manifold	1
17a.	21664	12-20084	Washer - Carburetor	4
17b.	21664	12-20084	Washer - Exhaust Manifold	1
18	51340	3863071	Exhaust Elbow	1
19	50007	3853628	Restrictor	1
20	58450	-	Manifold Set	1

* Included with Manifold No. 51450



GLM Products, Inc.

MODEL AQ175, AQ205, AQ430A/B, AQ432, AQ434 - GM V6 (1993 & BEFORE)

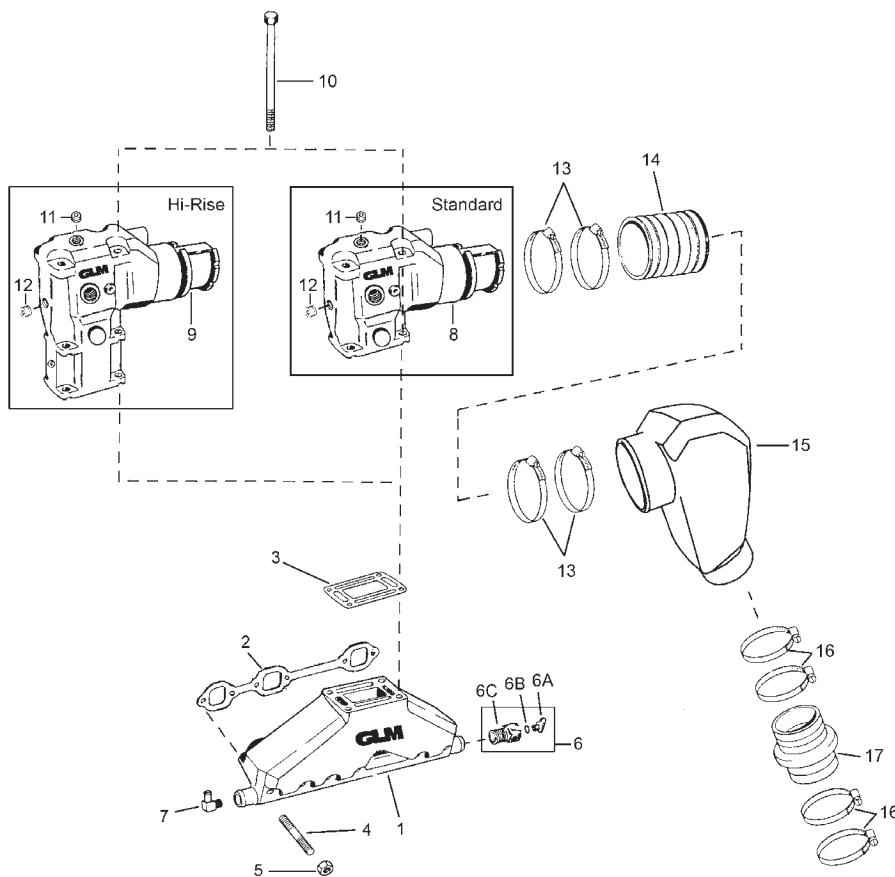


Ref No.	GLM No.	OEM No.	Description	Qty.
1	51640	856894	Exhaust Manifold Assembly	1
2*	32170	3853412	Gasket - Exhaust Manifold	1
3*	35080	857618	Gasket - Exhaust Elbow	1
4	22444	942547	Screw	1
5	21726	942336	Washer	5
6*	13982	192154	Straight Fitting Kit	1
6A*	13992	22-806608A02	Drain Plug Kit	1
6B*	80140	-	O-Ring	1
6C*	13983	-	Reducer	1
7*	13970	3852538	Hose Fitting	1
8	51520	857037	Exhaust Elbow Assembly	1
9	22353	959796	Screw	2
10	22318	940136	Screw	2
11	21725	941907	Washer	4
12	89227	834751	Exhaust Hose - Upper	1

* Included with Manifold No. 51640

GLM Products, Inc.

MODEL 4.3L - GM 262 CID, V6 (1994 & UP)



Ref No.	GLM No.	OEM No.	Description	Qty.
1	51480	3857656	Exhaust Manifold Assembly	1
2*	32170	3853412	Gasket - Exhaust Manifold	1
3*	33810	909786	Gasket - Exhaust Elbow	1
4	22487	3852467	Stud	6
5	21248	3853404	Nut	6
6*	13982	-	Straight Fitting	1
6A*	13992	806608A02	Drain Plug Kit	1
6B*	80140	304174	O-Ring	1
6C*	13983	-	Straight Fitting	1
7*	13970	3852538	Elbow Fitting	1
8	51330	3857944	Standard Exhaust Elbow Assembly	1
9	51337	3862627	Hi-Rise, Single-Piece Exhaust Elbow Assembly (1992-2006)	1
9	51336	3889964	Hi-Rise, Single-Piece Exhaust Elbow Assembly (2007 & Up)	1
10	22398	3852830	Screw	4
11	22379	-	Plug	1
12	21896	315713	Plug	1
13	01100	3853860	Clamp	4
14	89224	3852696	Exhaust Hose	1
15	50790	3853372	Exhaust Tube	1
16	01090	3852604	Clamp	4
17	89222	3852741	Exhaust Hose	1

* Included with Manifold No. 51480



TOC

Manifolds-Merc.

Manifolds-OMC

Manifolds-Volvo

Manifolds-Barr

MerCruiser

Merc / Mar / For

OMC / Volvo

Johnson / Evin

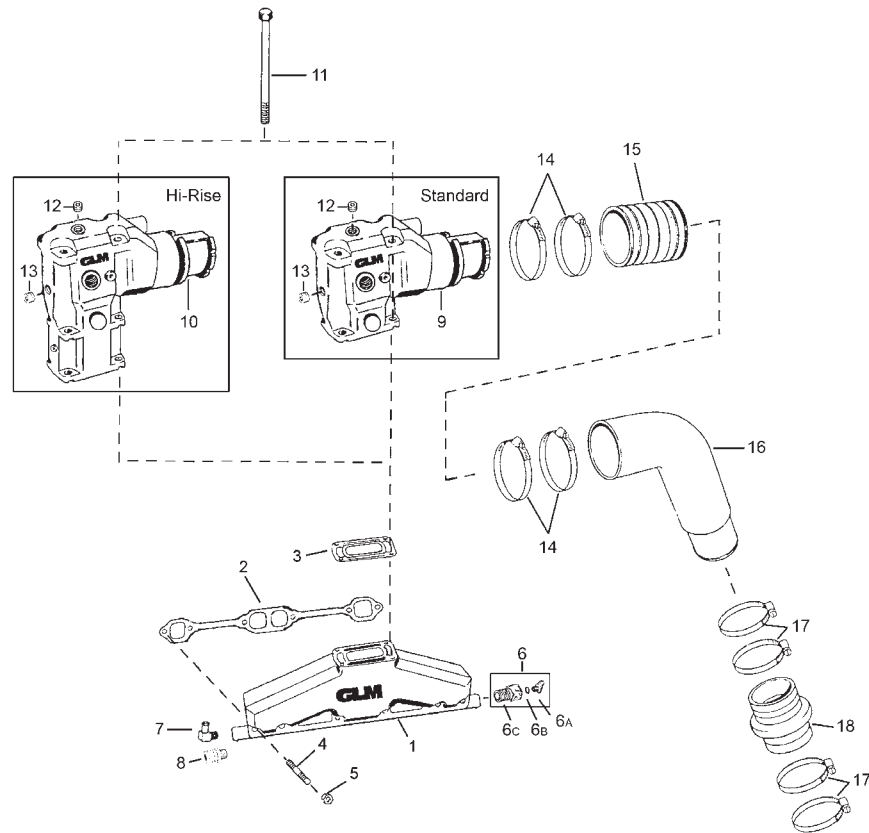
Yamaha

Index / X-Ref.

Warranty

GLM Products, Inc.

MODEL 5.0L/5.7L - GM 305/350 CID, V8 S.B. (1994 & UP)

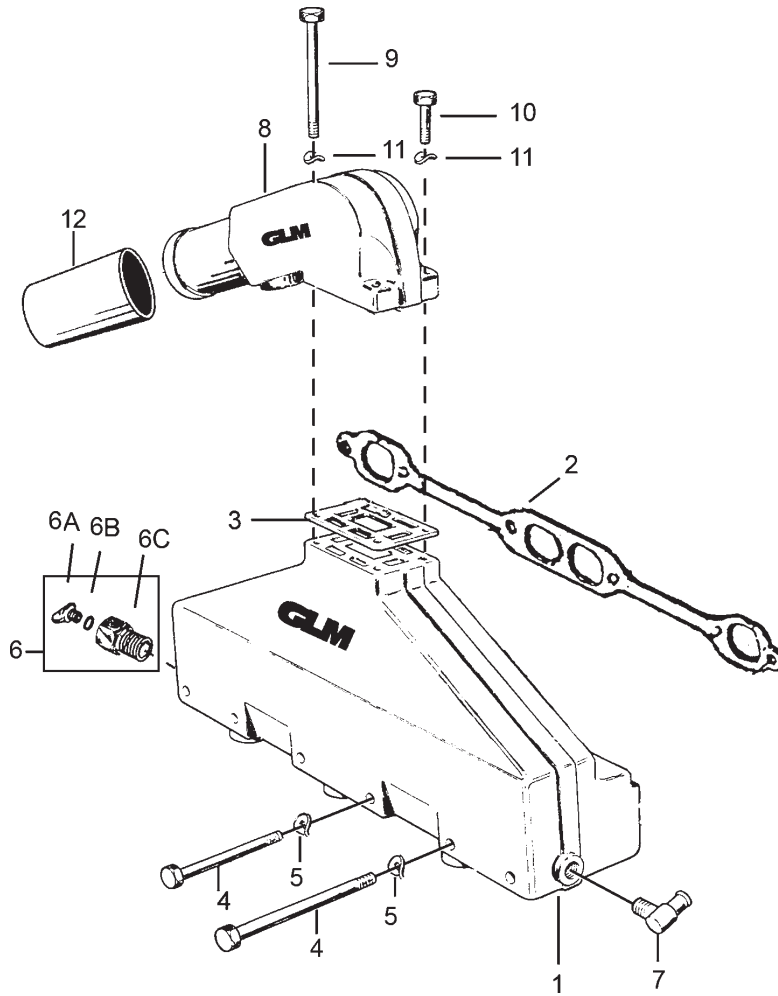


Ref No.	GLM No.	OEM No.	Description	Qty.
1	51430	3857723	Exhaust Manifold Assembly	1
2*	31100	3852468	Gasket - Exhaust Manifold	1
3*	33810	909786	Gasket - Exhaust Elbow	1
4	22487	3852467	Stud	6
5	21248	3853404	Locknut	6
6*	13982	-	Straight Fitting Kit	1
6A*	13992	806608A02	Drain Plug Kit	1
6B*	80140	304174	O-Ring	1
6C*	13983	-	Reducer	1
7*	13970	3852538	Elbow Fitting	1
8*	13985	-	Straight Fitting	1
9	51330	3857944	Standard Exhaust Elbow Assembly	1
10	51337	3862627	Hi-Rise, Single-Piece Exhaust Elbow Assembly (1993-2006)	1
10	51338	3889965	Hi-Rise, Single-Piece Exhaust Elbow Assembly (2007 & Up)	1
11	22398	3852830	Screw	4
12	22379	-	Plug	1
13	21896	315713	Plug	1
14	01100	3853860	Clamp	4
15	89224	3852696	Exhaust Hose	1
16	50780	763891	Exhaust Tube	1
17	01090	3852604	Clamp	4
18	89222	3852741	Exhaust Hose	1

* Included with Manifold No. 51430

GLM Products, Inc.

MODEL 5.0L/5.7L - GM 305/350 CID, V8 S.B. (1993 & BEFORE)



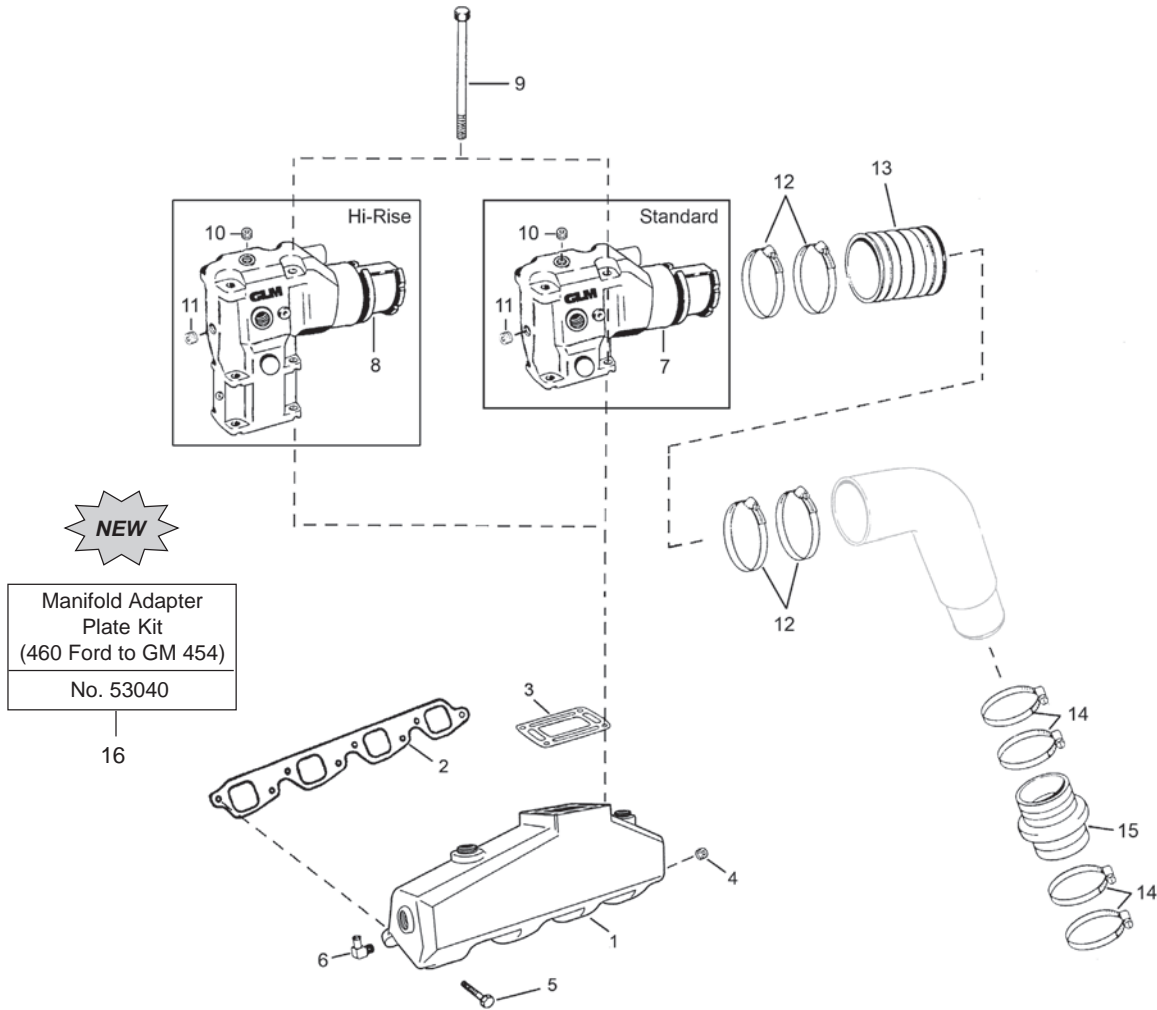
Ref No.	GLM No.	OEM No.	Description	Qty.
1	51630	856883	Exhaust Manifold Assembly	1
2*	31100	3852468	Gasket - Exhaust Manifold	1
3*	35080	857618	Gasket - Exhaust Elbow	1
4	22444	942547	Screw	1
5	21726	942336	Washer	6
6*	13982	-	Straight Fitting Kit	1
6A*	13992	22-806608A02	Drain Plug Kit	1
6B*	80140	-	O-Ring	1
6C*	13983	-	Reducer	1
7*	13970	3852538	Hose Fitting	1
8	51510	856891	Exhaust Elbow Assembly	1
9	22317	959794	Screw	2
10	22318	940186	Screw	2
11	21725	941907	Washer	4
12	89227	834751	Exhaust Hose - Upper	1

* Included with Manifold No. 51630



GLM Products, Inc.

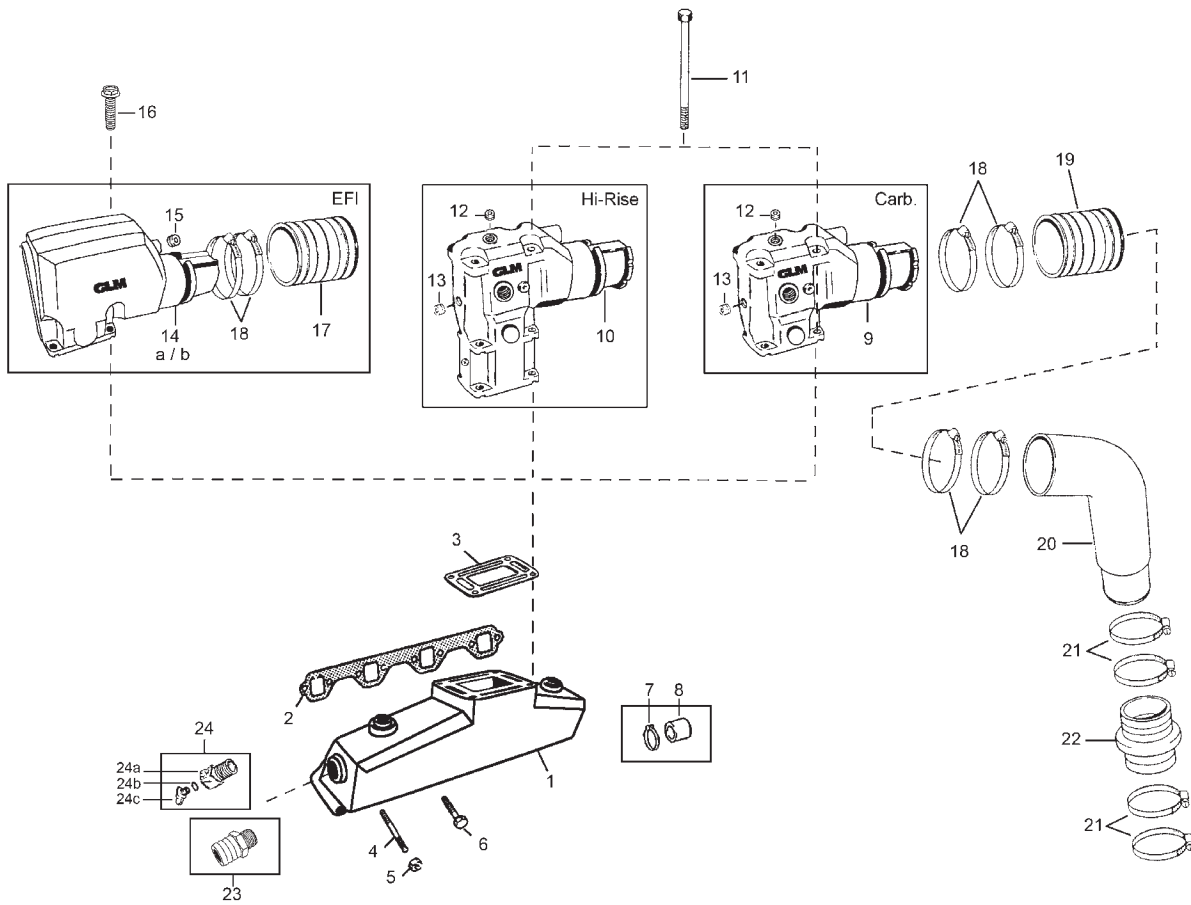
MODEL 7.4/8.2L - V8 B.B., GM 454/502 CID (1994 & UP)



Ref No.	GLM No.	OEM No.	Description	Qty.
1	51500	3861459	Exhaust Manifold	1
2*	33760	3852472	Gasket - Exhaust Manifold	1
3*	33810	909786	Gasket - Exhaust Elbow	1
4*	21874	-	Plug	1
5	21755	3853326	Screw 3/8 - 16 x 1 1/4 Flange	8
6*	13970	3852538	Elbow Fitting	1
7	51330	3857944	Standard Exhaust Elbow Assembly	1
8	51337	3862627	Hi-Rise Single-Piece Exhaust Elbow Assembly	1
9	22398	3852830	Screw	4
10	22379	-	Plug	1
11	21896	315713	Plug	1
12	01100	3853860	Clamp	4
13	89224	3852696	Exhaust Hose	1
14	01090	3852604	Clamp	4
15	89222	3852741	Exhaust Hose	1
16	53040	N/A	Manifold Adapter Plate Kit for Ford 460 to GM 454	1

* Included with Manifold No. 51500

MODEL 5.0/5.8L & Fi/FSi - V8, FORD 302/351 CID (1994 & UP)



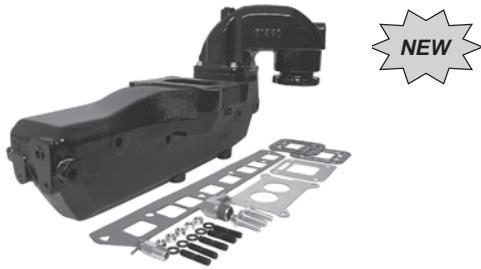
Ref No.	GLM No.	OEM No.	Description	Qty.	Ref No.	GLM No.	OEM No.	Description	Qty.
1	51490	3852347	Exhaust Manifold Assembly	1	17	89229	3853608	Exhaust Hose (1993-96 EFI)	1
2*	33790	3852455	Gasket - Exhaust Manifold	1	18	01100	3853860	Clamp	4
3*	33810	909786	Gasket - Exhaust Elbow	1	19	89224	3852696	Exhaust Hose (1998-96 Carb.)	1
4	22486	3853434	Stud	5	20	50700	3853386	Exhaust Tube (5.8L)	1
5	21248	3853404	Nut	5	20	50800	3853384	Exhaust Tube (5.0L)	1
6	21755	3853155	Screw	3	21	01090	3852604	Clamp	4
7	01071	912627	Clamp (For OEM Design)	1	22	89222	3852741	Exhaust Hose	1
8	22290	3852476	Cap (For OEM Design)	1	23*	13985	N/A	Straight Fitting	1
9	51330	3857944	Ex. Elbow Assy. ('88-96 Carb.)	1	24*	13982	N/A	Straight Fitting Kit	1
10	51337	3862627	Hi-Rise Single-Piece Exhaust Elbow	1	24a*	13983	-	Reducer	1
11	22398	3852830	Screw (Carb.)	4	24b*	80140	304174	O-Ring	1
12	22379	-	Plug (Carb)	1	24c*	13992	806608A02	Drain Plug Kit	1
13	21896	315713	Plug (Carb)	1					
14a.	51332	3855271	Ex. Elbow Assy. - PORT ('93-96 EFI)	1					
14b.	51334	3855269	Ex. Elbow Assy. - STBD ('93-96 EFI)	1					
15	21889	-	Plug (EFI)	1					
16	21755	3853326	Screw (EFI)	4					

* Included with Manifold No. 51490

TOC
Manifolds-Merc.
Manifolds-OMC
Manifolds-Volvo
Manifolds-Barr
MerCruiser
Merc / Mar / For
OMC / Volvo
Johnson / Evin
Yamaha
Index / X-Ref.
Warranty

GLM Products, Inc.

100% Complete Manifold Set 4-Cyl.



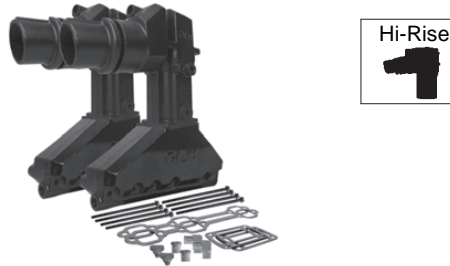
4Cyl. **58450** Model 3.0GS GM 181 CID (1994 & Up)

100% Complete Manifold Sets V6



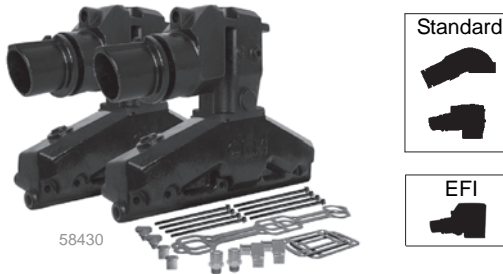
V6 **58640** GM AQ 175-434 (1993 & Before)
 V6 **58480** GM 4.3L, 262 CID (1994 & Up)

100% Complete Manifold Sets V6 with Hi-Rise Single-Piece Elbows



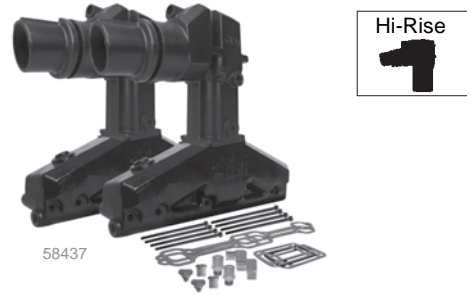
V6 **58486** GM 262 CID (2007 & Up)
 V6 **58487** GM 262 CID (1994 & Up)

100% Complete Manifold Sets V8 S.B.



V8sb **58630** GM 305/350 CID (1993 & Before)
 V8sb **58430** GM 5.7L, 350 CID (1994 & Up)
 V8sb **58490** FORD 302/351 CID (Carb. Engine)
 V8sb **58491** FORD 302/351 CID (EFI Engine)

100% Complete Manifold Sets V8 S.B. with Hi-Rise Single-Piece Elbows



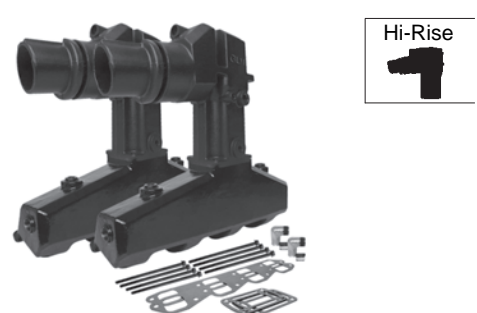
V8sb **58437** GM 305/350 CID (1994 & Up)
 V8sb **58438** GM 305/350 CID (2007 & Up)
 V8sb **58492** FORD 302/351 CID (Carb.)

100% Complete Manifold Sets V8 B.B



V8bb **58500** GM 454/502 CID (7.4/8.2L)

100% Complete Manifold Sets V8 B.B. with Hi-Rise Single-Piece Elbows



V8bb **58507** GM 454/502 CID (1994 & Up)

460 Adapter Kit Complete



V8bb **58930** Ford 460 to GM 454

TOC

Manifolds-Merc.

Manifolds-OMC

Manifolds-Volvo

Manifolds-Barr

MerCruiser

Merc / Mar / For

OMC / Volvo

Johnson / Evin

Yamaha

Index / X-Ref.

Warranty

TOC

Manifolds-Merc.

Manifolds-OMC

Manifolds-Volvo

Manifolds-Bar

MerCruiser

Merc / Mar / For

OMC / Volvo

Johnson / Evin

Yamaha

Index / X-Ref.

Warranty

Exhaust Bellows / Hoses



Upper Hose	89227	(OEM: 834751) Volvo up to 1993	
Upper Hose	89224	(OEM: 3852696) 4.3 (1991), 5.0/5.8, 7.5 460 (1988-89), 5.7LE (1990-91), All Cone Clutch (1990-91)	
Exhaust Hose	89229	(OEM: 3853608) 5.0/5.8 EFI (1993-96)	
Lower Hose	89222	(OEM: 3852741) 2.5 (1986), 3.0 (1986-91), 2.3 (1989-90), 4.3 (1990-91) 5.0/5.8 Ford (1991), 5.7 (Early 1986)	

SUS 316 Hose Clamps



For 89222 **01090** (OEM: 3852604)
 For 89224 & 89229 **01100** (OEM: 3853860)

Exhaust Flapper Valves



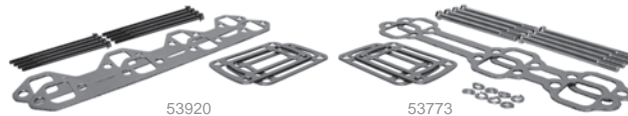
3"	89240	(OEM: 34765A1) 3 inch Flapper with Clamp
4"	89250	(OEM: 12644A1) 4 inch Flapper with Clamp
5" / 6"	89260	(OEM: N/A) 5 / 6 inch Flapper with Clamp

Drain Cock



13993 OEM: 82745-1 AQ120-151, BB140-250, 4-Cyl., (1973-90)

Exhaust Manifold Gasket & Gasket-Hardware Kits



With Hardware	Without Hardware	
53772 N/A	39771 N/A	GM 181 CID (4-Cyl.) (1992 & Up)
53770 N/A	37100 N/A	AQ120-151, BB140-250, 4-Cyl., (1973-90) *No. 53771 Hardware Kit Only
53773 N/A	39773 N/A	GM V6 262 CID (4.3L) (1991 & Up)
53640 N/A	39774 N/A	GM V6 AQ175-434 (1993 & Before)
53775 N/A	39775 N/A	GM V8 305/350 CID (1993 & Before)
53910 N/A	39910 N/A	GM V8 Small Block (53910 for Log Style Manifold)
53911 N/A	39910 N/A	GM V8 Small Block (53911 for Center Rise Manifold)
53920 N/A	39920 N/A	Ford V8 302/351 CID (53920 for Carb.)
53921 N/A	39920 N/A	Ford V8 302/351 CID (53921 for EFI)
53940 N/A	39940 N/A	GM 454/502 CID V8 Big Block

Hardware Kit Only



53771 AQ120-151, BB140-250, 4-Cyl., (1973-90)

Manifold Adapter Plate & Adapter Plate Kit



V8bb **53040** Adapter Plate Kit - Ford 460 to GM 454
 V8bb **50040** Adapter Plate Only - Ford 460 to GM 454

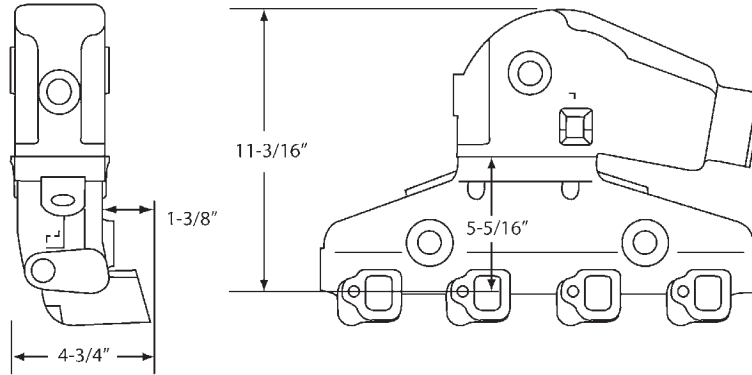
GLM Products, Inc.

Barr / Indmar / Marine Power Exhaust Manifold Dimensions - Ford V8 S.B.

FORD V8 S.B. w/ 3" Riser

No. 56110 OEM: 20-0082 Barr, 0992-000 M.P.
EXHAUST ELBOW

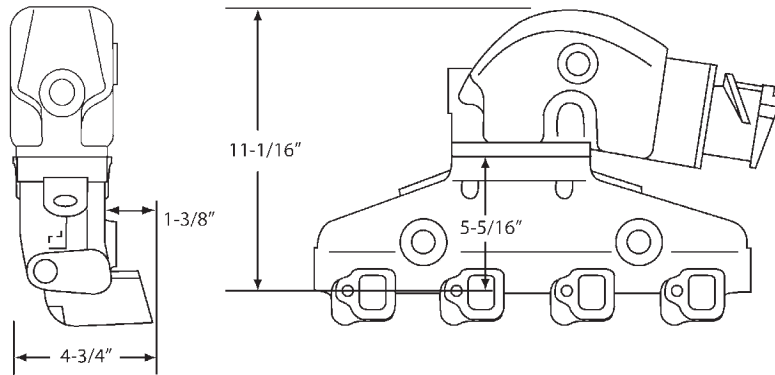
No. 56250 OEM: FM-1-83, 53-2008
EXHAUST MANIFOLD



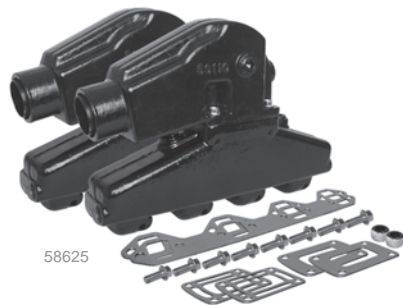
FORD V8 S.B. w/ 4" Riser

No. 56140 OEM: 20-0100 Barr, 0992-000 M.P.
EXHAUST ELBOW

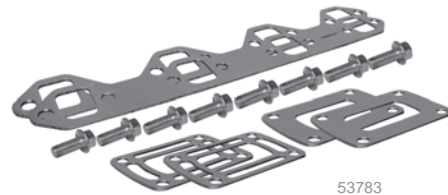
No. 56250 OEM: FM-1-83, 53-2008
EXHAUST MANIFOLD



**100% Complete Manifold Sets
FORD V8 S.B.**



**Exhaust Manifold Gasket
& Hardware Kits**

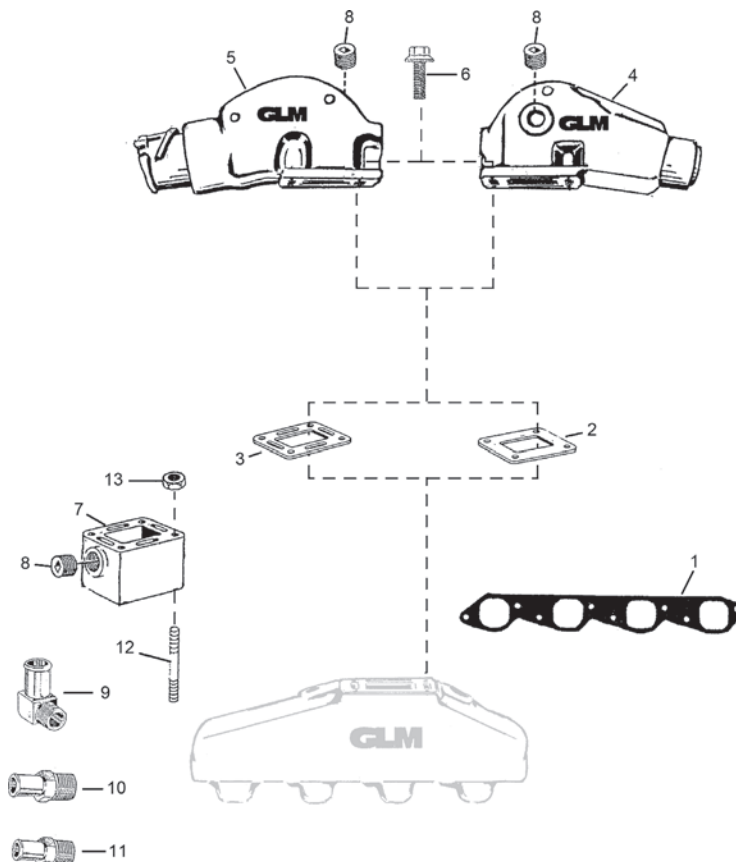


- V8sb **58625** FORD V8 Small Block, Fits 3" Hose
- V8sb **58635** FORD V8 Small Block, Fits 4" Hose

With Hardware	Without Hardware	
53781	39781	GM V8 Small Block
53782	39782	GM V8 Big Block
53783	39783	FORD V8 Small Block

GLM Products, Inc.

MODEL GM 454/502 CID, V8 BIG BLOCK



Ref No.	GLM No.	OEM No.	Description	Qty.
1	33760	CHV-47-000	Gasket - Exhaust Manifold	1
2	36820	1-0105 (Barr)	Gasket - Exhaust Elbow	1
3	36830	1-0107 (Barr)	Gasket - Exhaust Elbow	1
4	56110	20-0082 (Barr)	Exhaust Elbow 3" 10 Degrees	1
		0992-000 (M.P.)		
5	56140	20-0100 (Barr)	Exhaust Elbow 4" 10 Degrees	1
		0992-593 (M.P.)		
6	22355	-	Screw	4
7	56030	20-0097 (Barr)	Spacer 3"	1
8*	21892	-	Plug	1
9	13960	-	90 Degrees Elbow Fitting 3/4-14x1	1
10	13984	-	Straight Fitting 3/4-14x1	1
11	13986	-	Straight Fitting 3/4-14x3/4	1
12	22481	-	Stud	4
13	21248	-	Nut	4

* Included with Exhaust Elbows 56110 & 56140
 Plug also included with 3" Spacer 56030

TOC

Manifolds-Merc.

Manifolds-OMC

Manifolds-Volvo

Manifolds-Barr

MerCruiser

Merc / Mar / For

OMC / Volvo

Johnson / Evin

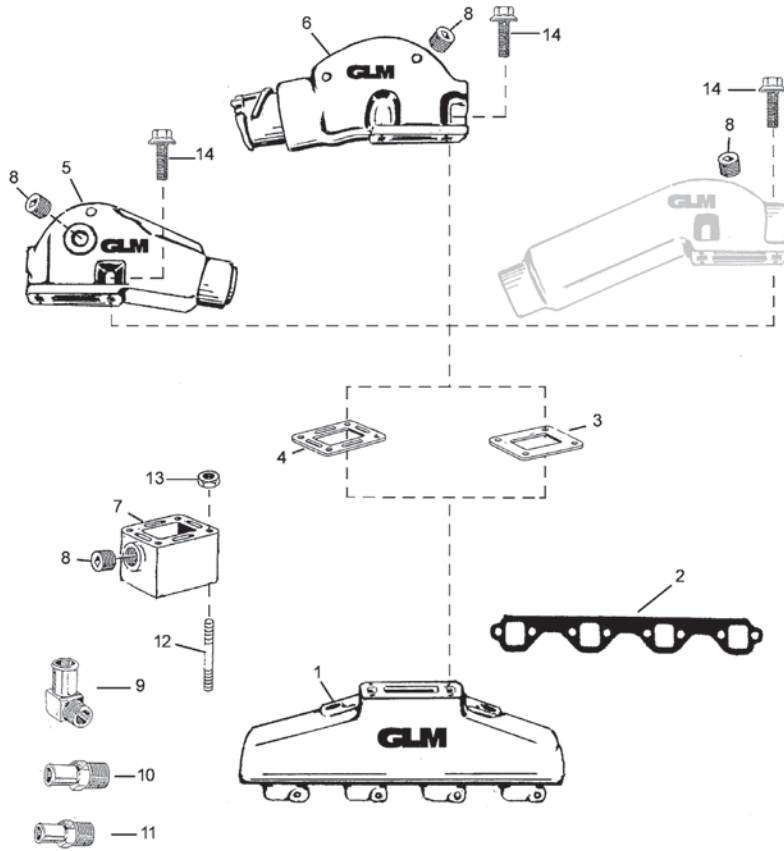
Yamaha

Index / X-Ref.

Warranty

GLM Products, Inc.

MODEL FORD 5.0/5.8L, 302/351 CID, V8 S.B.



Ref No.	GLM No.	OEM No.	Description	Qty.
1	56250	FM-1-83 (Barr) 53-2008 (Indmar)	Exhaust Manifold Assembly	1
2	33790	-	Gasket - Exhaust Manifold	1
3	36820	1-0105 (Barr)	Gasket - Exhaust Elbow	1
4	36830	1-0107 (Barr)	Gasket - Exhaust Elbow	1
5	56110	20-0082 (Barr)	Exhaust Elbow 3" 10 Degrees	1
		0992-000 (M.P.)		
6	56140	20-0100 (Barr)	Exhaust Elbow 4" 10 Degrees	1
		0992-593 (M.P.)		
7	56030	20-0097 (Barr)	Spacer 3"	1
8*	21892	-	Plug	1
9	13960	-	90 Degrees Elbow Fitting 3/4-14x1	1
10	13984	-	Straight Fitting 3/4-14x1	1
11	13986	-	Straight Fitting 3/4-14x3/4	1
12	22481	-	Stud	4
13	21248	-	Nut	4
14	22355	-	Screw	4

* Included with Exhaust Elbows 56110 & 56140

Plug also included with 3" Spacer 56030





Quality Replacement Parts for

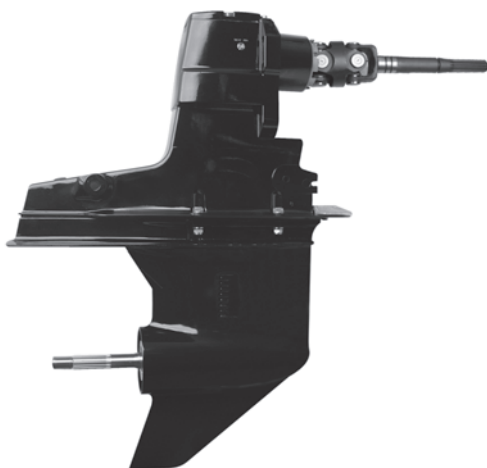
MerCruiser®

Replacement Sterndrives Complete	62-63
Drive Shaft Housing - Upper	63-78
Gearcase - Lower	79-96
Transom & Power Trim	97-115
Aluminum Anodes	116
Thermostats & Water Pumps	117-124

Exhaust Tubes & Clamps, Ex.Gaskets ...	124-127
Fuel Filters, Carb. Parts, Fuel Pumps ..	128-133
Ignition & Electrical, Alt. Bracket	134-141
Gaskets, Seals & Engine Kits	142-147
Marine Service Tools	148-150
Oil Seal-O-ring Charts, Model/Yr/SN ...	151-156

GLM Products, Inc.

Complete Drive Shaft / Gear Hsg. Assy. Alpha One Generation II



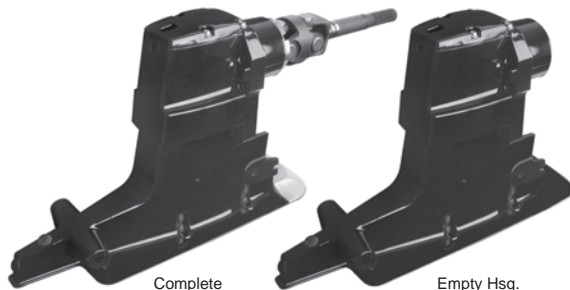
GLM	OEM	Ratio	Year	Engine
20600	5-5121200TP	1.47 (20/22)	1991 & Up	5.0 EFI / 5.7L 350 MAG
20700	5-5121300TP	1.62 (24/24)	1991 & Up	4.3 EFI / 4.3L H 5.0L
20800	5-5121400TP	1.81 (17/19)	1991 & Up	4.3L / 4.3LX
20900	5-5121500TP	1.94 (20/24)	1991 & Up	3.0L / 3.0LX

Complete Drive Shaft / Gear Hsg. Assy. MR / Alpha One



GLM	OEM	Ratio	Engine
20100	5-5010147CP	1.47 (20/22)	Most V8 Under 300 HP
20200	5-5010162CP	1.62 (24/24)	6-Cyl. Inline
20300	5-5010181CP	1.81 (17/19)	V6 & 470/485
20400	5-5010194CP	1.94 (20/24)	4-Cyl. Inline
20500	5-5010130CP	1.30 (16/20)	V8

Drive Shaft Housing (Upper) Alpha One Generation II

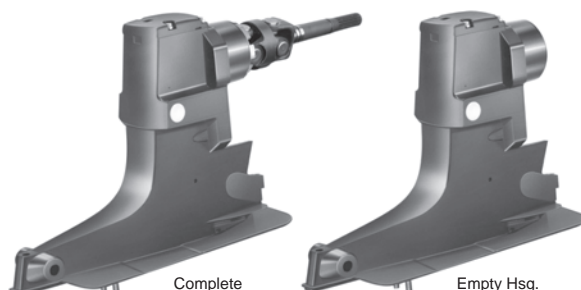


Complete Drive Shaft Housing Assemblies				
GLM	OEM	Ratio	Year	Engine
19600	1547-861063A12	1.47 (20/22)	1991 & Up	5.0 EFI / 5.7L 350 MAG
19700	1547-861063A10	1.62/2.0 (24/24)	1991 & Up	4.3 EFI / 4.3L H 5.0L
19800	1547-861063A8	1.81 (17/19)	1991 & Up	4.3L / 4.3LX
19900	1547-861063A6	1.94/2.4 (20/24)	1991 & Up	3.0L / 3.0LX

Drive Shaft Housings - Empty

29020	1547-861063A4	SN# OL100040 & Up	1998 & Up
29000	1547-815930A7	SN# OD469859-OK999999	1991-1997

Drive Shaft Housing (Upper) R / MR / Alpha One (1990 & Before)



Complete Drive Shaft Housing Assemblies			
GLM	OEM	Ratio	Engine
19100	1547-9412A20	1.47 / 1.50 (20/22)	Most V8 Under 300 HP
19200	1547-9412A21	1.65 / 1.62 (24/24)	6-Cyl. Inline
19300	1547-9412A22	1.84 / 1.81 (17/19)	V6 & 470/485
19400	1547-9412A23	1.98 / 1.94 (20/24)	4-Cyl. Inline
19500	1547-9412A219	1.32 / 1.30 (16/20)	V8

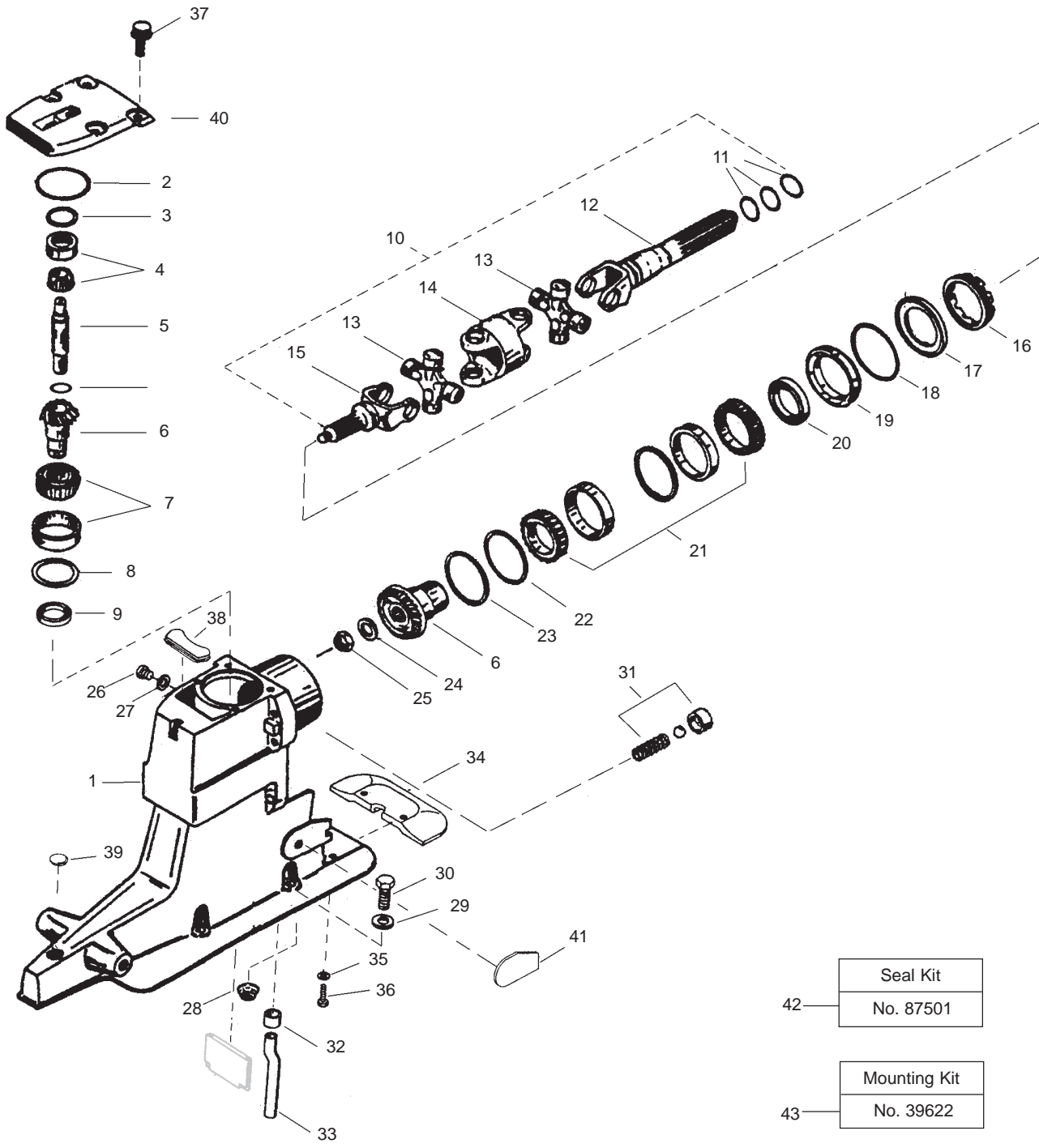
Drive Shaft Housings - Empty

19000	1547-9412A18
-------	--------------

GLM Products, Inc.

DRIVE SHAFT HOUSING - ALPHA ONE GEN II (1991-97)

Serial No. OD469859-0K999999
(1991-1997)



TOC

Manifolds-Merc.

Manifolds-OMC

Manifolds-Volvo

Manifolds-Barr

MerCruiser

Merc / Mar / For

OMC / Volvo

Johnson / Evin

Yamaha

Index / X-Ref.

Warranty

GLM Products, Inc.

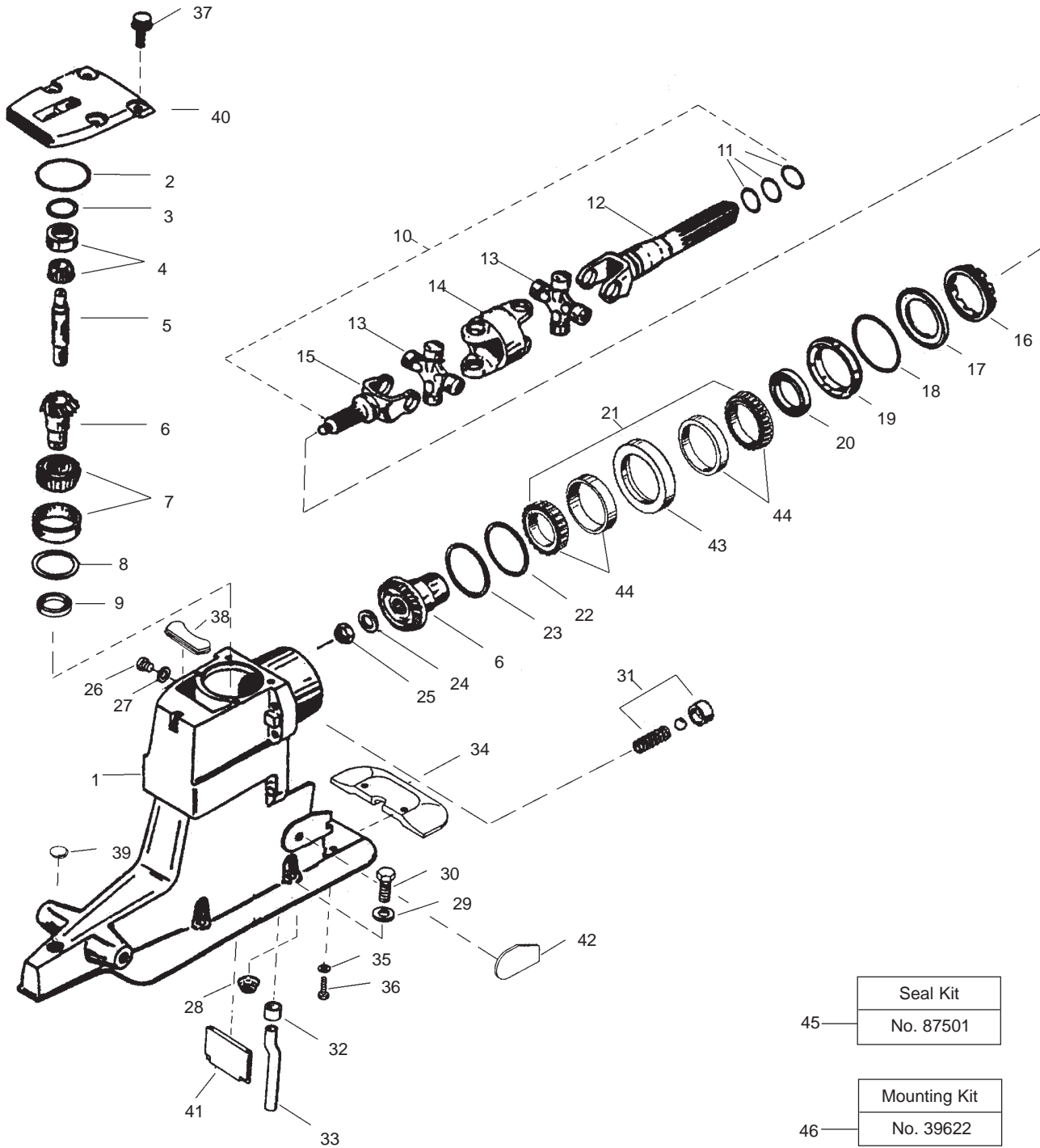
DRIVE SHAFT HOUSING - ALPHA ONE GEN II (1991-97)

Ref No.	GLM No.	OEM No.	Description
1	29000	1547-815930A7	Driveshaft Housing Assembly
2◆	80420	25-32546	O-Ring
3	23260	15-45691A1	Shim (For No. 21510 Bearing)
3	23261	15-32563A1	Shim (For No. 21511 Bearing)
4	21510	31-61100A1	Bearing Assembly (O.D. 1-15/16) (1991-95)
4	21511	31-32575A1	Bearing Assembly (O.D. 1-25/32) (1996-THRU)
5	11131	45-55796-1	Drive Shaft
6	11210	43-18411A2	Gear Set (1.50/1.47 Ratio)(20-22)
6	11220	43-45814A5	Gear Set (1.65/1.62 Ratio)(24-24)
6	11230	43-75325A3	Gear Set (1.84/1.81 Ratio)(17-19)
6	11240	43-55778A3	Gear Set (2.40/1.98/1.94 Ratio)(20-24)
7	21540	31-359900A1	Roller Bearing (1.62, 1.81, 1.94, 2.40 Ratio)
7	21560	31-32573A1	Roller Bearing (1.47 Ratio)
8	23270	15-36178A1	Shim
9◆	85022	26-864319	Oil Seal
10	28050	814819A2	U-Joint Assembly (1991-97)
10	28070	25-25439	U-Joint Assembly (1998 & Up)
11◆+	81180	25-35027	O-Ring
11◆+	82150	814819A3	O-Ring
12	28315	75832T1	Yoke Assembly
13	28030	805536A2	U-Joint
14	28100	39383-1	Socket
15	28310	46020-1	Yoke (1991-97)
16	28350	81611-2	Retainer
17	28390	35983	Ring
18◆	82380	25-70937	O-Ring
19	28370	66081A2	Carrier Assembly
20◆	85030	26-826894	Oil Seal
21	21520	31-35988A12	Roller Bearing Kit
22	23280	15-35980A1	Shim
23	28380	15-71013	Spacer
24	28330	12-45810	Washer
25	28360	11-22339	Nut
26	22420	10-79953Q2	Screw Kit
27◆	31170	12-19183-2	Washer
28	28410	11-817618	Locknut
29	28420	12-45176	Washer
30	28430	10-816601	Bolt
31◆	12930	24-17997A1	Sping Kit
32◆	12831	26-88397	Grommet
33	12829	32-860220	Guide Tube
34	12711	821629Q1	Anode
35	05009	13-78968	Lockwasher
36	22440	10-28668	Screw
37	28300	10-98794	Screw
38	12965	861738	Plug
39	12966	19-32297	Plug
40	28402	828692Q1	Cover Assembly
41	12663	814386	Wear Pad - Port
42	12664	814387	Wear Pad - Starboard
42	87501	26-88397A1	Gearcase Seal Kit
43	39622	27-94996T2	Mounting Kit
◆ Included in Kit No. 87501			
+ Included in Kit No. 39622			

GLM Products, Inc.

DRIVE SHAFT HOUSING - ALPHA ONE GEN II (1998 & Up)

Serial No. OL100040 & Up
(1998 & Up)

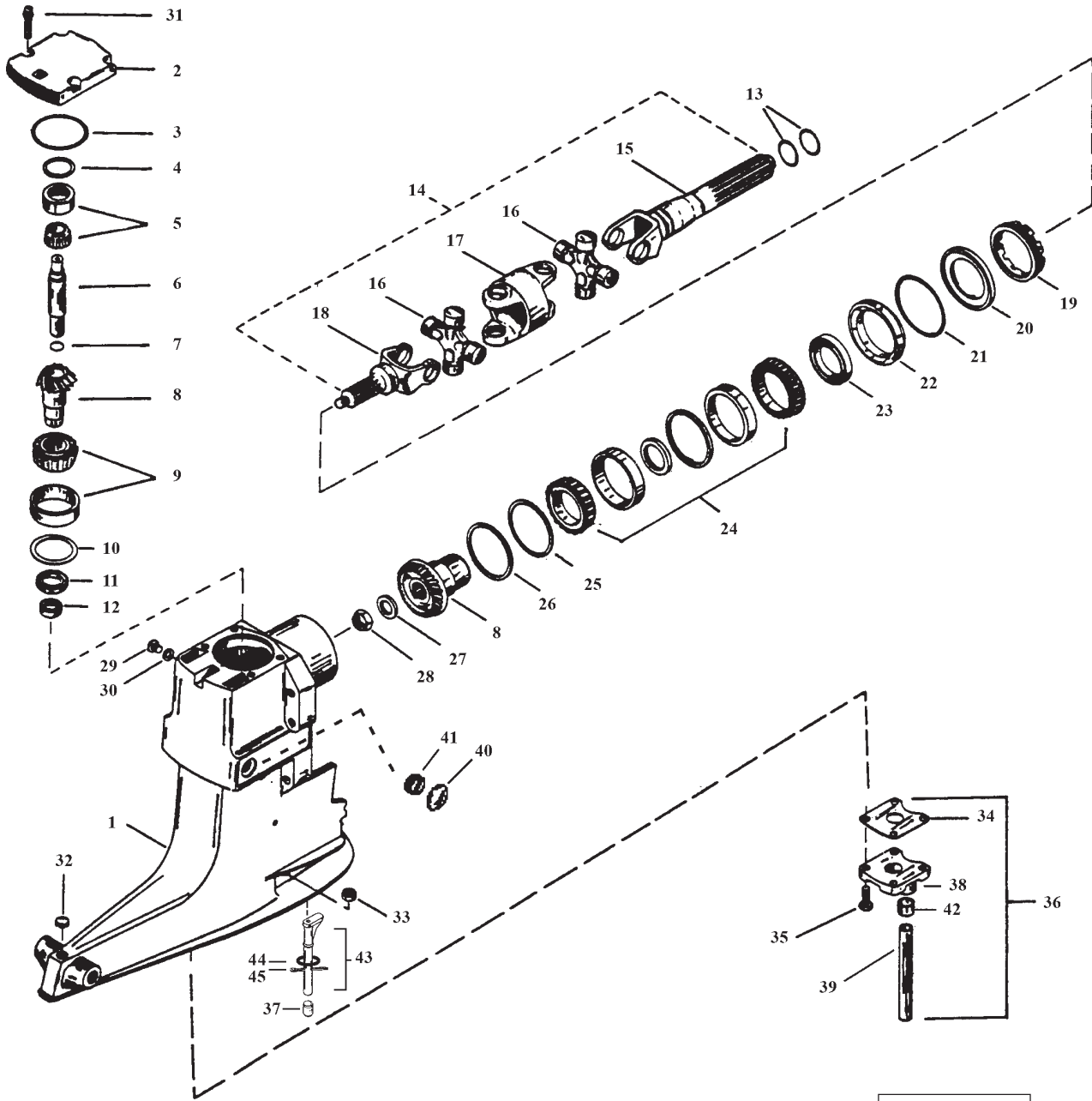


- 45 Seal Kit
No. 87501
- 46 Mounting Kit
No. 39622

GLM Products, Inc.

DRIVE SHAFT HOUSING - R / MR / ALPHA ONE

Serial No. 6225577-OD469858



- 46 — Seal Kit
No. 87500
- 47 — Mounting Kit
No. 39622
- 48 — Mounting Kit
No. 39590

TOC

Manifolds-Merc.

Manifolds-OMC

Manifolds-Volvo

Manifolds-Barr

MerCruiser

Merc / Mar / For

OMC / Volvo

Johnson / Evin

Yamaha

Index / X-Ref.

Warranty

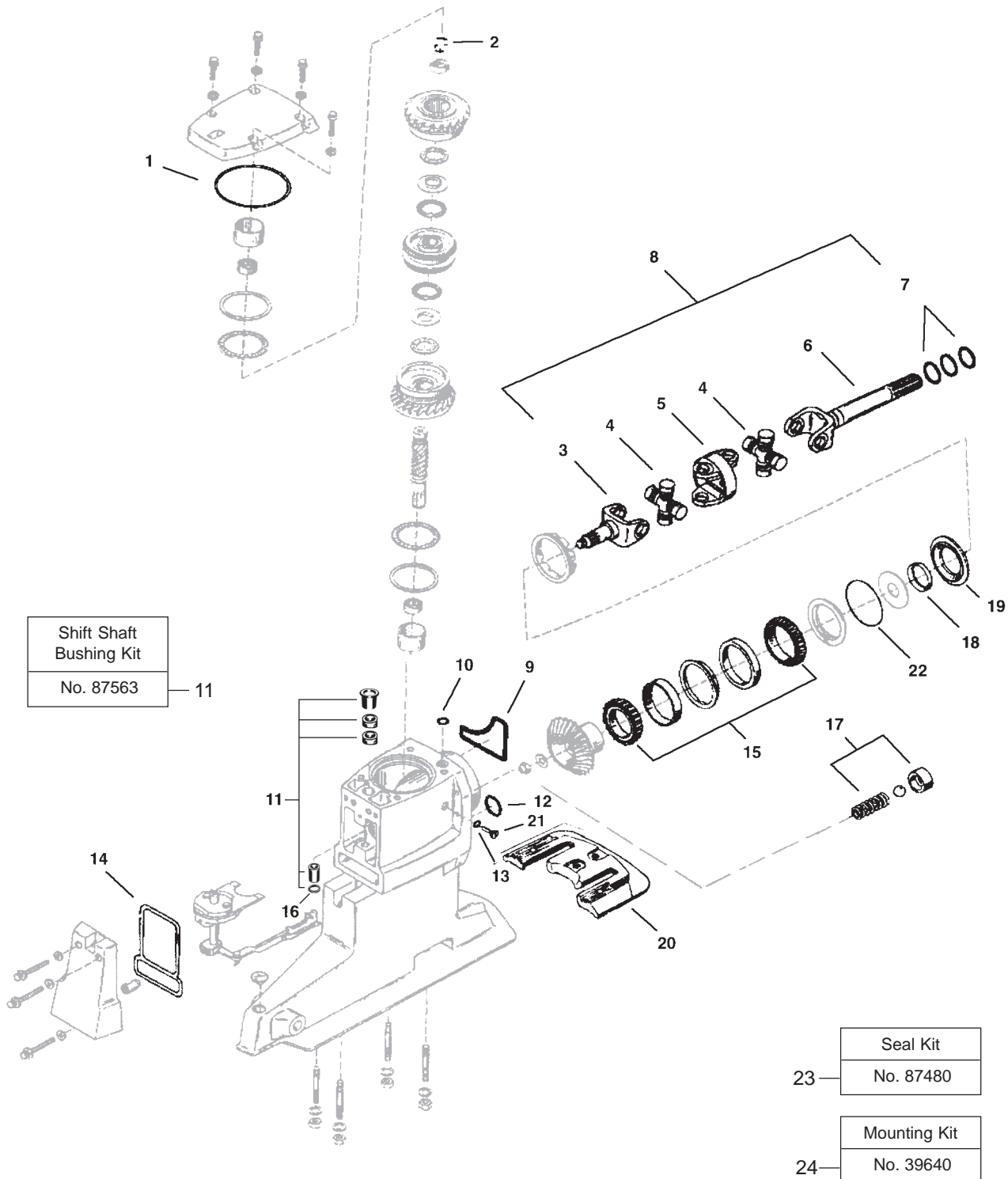
GLM Products, Inc.

DRIVE SHAFT HOUSING - R / MR / ALPHA ONE

Ref No.	GLM No.	OEM No.	Description
1	19000	1547-9412A18	Drive Shaft Housing Assembly
2	28400	94998A4	Cover Assembly
3◆	80420	25-32546	O-Ring
4	23260	15-45691A1	Shim (For No. 21510 Bearing)
4	23261	15-32563A1	Shim (For No. 21511 Bearing)
5	21510	31-61100A1	Bearing Assembly (O.D. 1-15/16)
5	21511	31-32575A1	Bearing Assembly (O.D. 1-25/32)
6	11130	45-55796	Drive Shaft
7◆	80190	25-55801	O-Ring
8	11210	43-18410A4	Gear Set (1.50 or 1.47 Ratio) (20-22)
8	11220	43-45814A5	Gear Set (1.65 or 1.62 Ratio) (24-24)
8	11230	43-75325A3	Gear Set (1.84 or 1.81 Ratio) (17-19)
8	11240	43-55778A3	Gear Set (1.98 or 1.94 Ratio) (20-24)
9	21560	31-32573A1	Roller Bearing (1.50 Ratio)
9	21540	31-35990A1	Roller Bearing (1.65, 1.84, 1.98 Ratio)
9	21550	31-66818A1	Roller Bearing (1.32 Ratio)
10	23270	15-36178A1	Shim
11◆	85020	26-32511	Oil Seal
12◆	85060	26-96503	Oil Seal
13◆+•	81180	25-25439	O-Ring
14	28050	814819A2	U-Joint Assembly
15	28315	814819A3	Yoke Assembly
16	28030	75832T1	U-Joint
17	28100	39383T	Socket
18	28310	46020-1	Yoke
19	28350	816811-1	Retainer
20	28390	35983	Ring
21◆	82380	25-70937	O-Ring
22	28370	66081A2	Carrier Assembly
23◆	85030	26-823894	Oil Seal
24	21520	31-35988A2	Roller Bearing (All Ratio Except 1.32)
24	21530	31-35988A3	Roller Bearing (1.32 Ratio)
25	23280	15-35980A1	Shim
26	28380	15-71013	Shim
27	28330	12-45810	Washer
28	28360	11-22339	Nut
29	22420	10-79953Q2	Screw
30◆	31170	12-19183-2	Washer
31	28300	10-98794	Screw
32	21890	19-47579	Plug
33	21170	11-13439-1	Nut
34◆	31150	27-55810-1	Gasket
35	22440	10-28668	Screw
36	12200	42724A3	Water Pocket Cover Kit
37	21423	23-32632	Bushing
38	85150	26-36557	Grommet
39	12202	32-54236	Water Tube
40	22031	19-42682	Welch Plug (1-1/4 O.D.)
41	22032	22-42861-1	Pipe Plug
42◆	85150	26-36557	Grommet
43	21421	62104-1	Intermediate Shift Shaft
44	21422	12-32666	Washer
45	22100	18-32665	Cotter Pin
46	87500	26-32511A1	Gearcase Seal Kit
47	39622	27-94996T2	Mounting Kit
48	39590	27-64818T4	Mounting Kit
◆ Included in Kit No. 87500			
+ Included in Kit No. 39622			
• Included in Kit No. 39590			

GLM Products, Inc.

DRIVE SHAFT HOUSING - BRAVO



Shift Shaft
Bushings Kit
No. 87563

Seal Kit
No. 87480

Mounting Kit
No. 39640

TOC

Manifolds-Merc.

Manifolds-OMC

Manifolds-Volvo

Manifolds-Barr

MerCruiser

Merc / Mar / For

OMC / Volvo

Johnson / Evin

Yamaha

Index / X-Ref.

Warranty

TOC

Manifolds-Merc.

Manifolds-OMC

Manifolds-Volvo

Manifolds-Barr

MerCruiser

Merc / Mar / For

OMC / Volvo

Johnson / Evin

Yamaha

Index / X-Ref.

Warranty

Drive Shaft Housing Service Kits



GLM	OEM	Ratio	Year	Engine
11237	43-803105T1	1.81 (17/19)	1998 & Up	Alpha One Generation II
11217	43-803103T1	1.47 (20/22)	1998 & Up	Alpha One Generation II
11247	43-803106T1	2.4/1.94 (20/24)	1998 & Up	Alpha One Generation II
11227	43-803104T1	2.0/1.62 (24/24)	1998 & Up	Alpha One Generation II
11236	43-803120T1	1.84/1.81 (17/19)	1991-1997	Alpha One Generation II
11216	43-803102T1	1.5/1.47 (20/22)	1991-1997	Alpha One Generation II
11246	43-803118T1	1.98/1.94 (20/24)	1991-1997	Alpha One Generation II
11226	43-803119T1	1.65/1.62 (24/24)	1991-1997	Alpha One Generation II
11235	43-803114T1	1.84/1.81 (17/19)	1990 & Before	R / MR / Alpha One
11215	43-803116T1	1.5/1.47 (20/22)	1990 & Before	R / MR / Alpha One
11245	43-803101T1	1.98/1.94 (20/24)	1990 & Before	R / MR / Alpha One
11225	43-803112T1	1.65/1.62 (24/24)	1990 & Before	R / MR / Alpha One

Drive Shaft Housing Gear Sets



GLM	OEM	Ratio	Year/Engine
11233	43-853643A2	1.81 (17/19)	(1998 & Up)
11214	43-853641A2	1.47 (20/22)	(1998 & Up) For Most V8 Alpha One Gen II
11222	43-853640A2	1.62/2.0 (24/24)	(1998 & Up)
11244	43-853642A2	1.94/2.4 (20/24)	(1998 & Up)
11230	43-75325A3	1.84/1.81 (17/19)	(1970-1997)
11210	43-18411A2 Heavy Duty	1.5/1.47 (20/22)	(1970-1997) For Most V8 MC1/R/MR/Alpha One & Gen II
11212	43-18411A4 Heavy Duty	1.5/1.47 (20/22)	(1970-1997)
11240	43-55778A3	1.98/1.94 (20/24)	(1970-1997)
11220	43-45814A5	1.65/1.62 (24/24)	(1970-1997)

Yoke & U-Joint Service Kits



- 28302** OEM: N/A Alpha One Gen II (Internal Rings)
- 28303** OEM: N/A Alpha One Gen II (External Rings)
- 28304** OEM: N/A Bravo (Internal Rings)
- 28305** OEM: N/A Bravo (External Rings)
- 28313** OEM: N/A MR (SN# B-418819 & Up)
- 28314** OEM: N/A R/MR (SN# B-418818 & Below)

Drive Shaft Housing U-Joint Assembly

100% Hot Forged Carbon Steel.
(Comes with locknut & tension washer, for best result one time use only)



- 28050** OEM: 814819A2 (1970-1997) with Long Yoke MC1 / R / MR / Alpha One & Gen II
- 28070** OEM: 814819A7 Alpha One Gen II (Internal Rings)
- 28080** OEM: 864281A2 Alpha One Gen II (External Rings)
- 28060** OEM: 12784A10 Bravo (Internal Lock-ring Style)
- 28090** OEM: 864244A2 Bravo (External Lock-ring Style)

D. S. Housing U-Joints, Yokes & Socket



- 28310** OEM: 46020-1 Yoke (1997 & Before) MC-1 / R / MR / Alpha One & Gen II
- 28312** OEM: 853635 Yoke Alpha One Gen II (Internal Rings)
- 28322** OEM: 864282T Yoke Alpha One Gen II (External Rings)
- 28340** OEM: 12784 Yoke Bravo (Internal Rings)
- 28345** OEM: 864245T Yoke Bravo (External Rings)
- 28330** OEM: 12-45810 Washer For 28310, 28312 & 28340
- 28360** OEM: 11-22339 Locknut For 28310, 28312 & 28340
- 28315** OEM: 814819A3 Yoke Long Yoke (Internal Rings)
- 28316** OEM: 864281A01 Yoke Long Yoke (External Rings)
- 28100** OEM: 39383-1 Socket Universal (Internal Rings)
- 28110** OEM: 865503T Socket Universal (External Rings)
- 28010** OEM: 41431 U-Joint L4 & L6-Cyl. (Internal Rings)
- 28020** OEM: 75832T U-Joint L4 & L6-Cyl. (Internal Rings)
- 28030** OEM: 75832T U-Joint Heavy Duty (Internal Rings)
- 28040** OEM: 865496A01 U-Joint (External Lock-ring Style)

GLM Products, Inc.

DRIVE SHAFT HOUSING GEAR SET APPLICATION

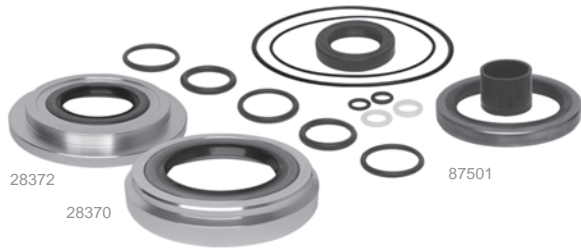
Model	Ratio	Year	Serial No. Range	Drive Gear Gear Kit	Upper Gear Hsg Service Kit
120/140	1.98	1970-1982	2791957-6225576	11240	11240
470/485	1.84	1976-1982	4208730-6225575	11230	11235
165	1.65	1970-1981	2763442-Up	11220	11235
888	1.50	1971-1977	3106717-Up	11210 / 11212	11225
225-S	1.50	1974	3856268-4200499	11210 / 11212	11215
898/228	1.50	1977-1982	4782330-6225576	11210 / 11212	11215
260	1.50	1978-1982	4898730-6225576	11210 / 11212	11215
R/MR/Alpha One	1.98	1983-1990	6225577-Up	11240	11245
R/MR/Alpha One	1.84	1983-1990	6225577-Up	11230	11235
R/MR/Alpha One	1.65	1983-1990	6225577-Up	11220	11225
R/MR/Alpha One	1.50 HD	1983-1990	6225577-Up	11210 / 11212	11215
Alpha One SS	1.50	1986-1989	0A545004-Up	11210 / 11212	11215
Alpha One Gen II	2.40	1991-1997	0D469859-0K999999	11240	11246
Alpha One Gen II	1.98/1.94	1991-1997	0D469859-0K999999	11240	11246
Alpha One Gen II	1.65/1.62	1991-1997	0D469859-0K999999	11220	11226
Alpha One Gen II	1.84/1.81	1991-1997	0D469859-0K999999	11230	11236
Alpha One Gen II	1.50/1.47	1991-1997	0D469859-0K999999	11210 / 11212	11216
Alpha One Gen II	2.40/1.94	1998-Up	OL000040-Up	11244	11247
Alpha One Gen II	1.81	1998-Up	OL000040-Up	11233	11237
Alpha One Gen II	2.00/1.62	1998-Up	OL000040-Up	11222	11227
Alpha One Gen II	1.47	1998-Up	OL000040-Up	11214	11217

UNIVERSAL JOINT APPLICATION

Model	Year	Serial No. Range	U-Joint Assy.	U-Joint Cntr Socket	U-Joint Cross/Bearing	U-Joint O-ring	U-Joint Yoke Drive Gear End	U-Joint Yoke Coupling End
IA / IB / IC	1964	1684188-1777798	-	28100	28020 / 28030+	N/A	28310	-
IA / IB / IC E Z	1965-1966	1776349-2065186	-	28100	28020 / 28030+	81180	28310	-
120 / 140	1967-1982	2062141-6225576	-	28100	28020 / 28030+	81180	28310	-
470 / 485	1976-1982	4208730-6225575	-	28100	28020 / 28030+	81180	28310	-
160 / 165	1967-1981	2065190 & Up	-	28100	28020 / 28030+	81180	28310	-
888 / 225 / 888	1971-1977	3106717 & Up	28050	28100	28020 / 28030+	81180	28310	28315
898 / 228 / 250 / 260	1977-1982	4782330-6225576	28050	28100	28030	81180	28310	28315
R / MR / Alpha One	1983-1986	6225577-0B418818	28050	28100	28030	81180	28310	28315
R / MR / Alpha One	1986-1990	0B418819 & Up	28050	28100	28030	81180	28310	28315
Alpha One SS	1986-1989	0A545004 & Up	28050	28100	28030	81180	28310	28315
Alpha One Gen II	1991-1993	0D469859-0D869999	28050	28100	28030	81180*	28310	28315
Alpha One Gen II	1991-1993	0D469859-0D869999	28050	28100	28030	82150**	28310	28315
Alpha One Gen II	1993-1997	0D870000-0K999999	28050	28100	28030	81180*	28310	28315
Alpha One Gen II	1993-1997	0D469859-0K999999	28050	28100	28030	82150**	28310	28315
Alpha One Gen II	1998 & Up	OL100040 & Up	28070/80•	28100/10•	28030	81180*	28312/22•	28315/16•
Alpha One Gen II	1998 & Up	OL100040 & Up	28070/80•	28100/10•	28030	82150**	28312/22•	28315/16•
Bravo I / II / III	1988-1995	0B664190 & Up	28050	28100	28030	81180*	28340	28315
Bravo I / II / III	1988-1995	0B664190 & Up	28060/90•	28100/10•	28030	82150**	28340/22•	28315/16•
Blackhawk	1994-1995	0F186717 & Up	28060/90•	28100/10•	28030	81180*	28340/22•	28315/16•
Blackhawk	1994-1995	0F186717 & Up	28060/90•	28100/10•	28030	82150**	28340/22•	28315/16•
II	1962-1963	1474909-1602185	N.L.A.	N/A	28030	N/A	N/A	N/A
II	1964-1969	1602186-2671321	N.L.A.	28100	28030	N/A	N.L.A.	N.L.A.
III	1968-1972	2373127-3002613	-	-	-	N/A	-	-
215H	1970	2782203-2909034	N.L.A.	28100	28030	81180	N.L.A.	-
215E	1970-1972	2909035-2915034	N.L.A.	28100	28030	N/A	N.L.A.	N.L.A.
TR / TRS	1973-1993	3377316 & Up	-	28100	28030	N/A	-	-
TR / TRS	1973-1993	3377316 & Up	-	28100	28030	N/A	-	-
* 0.862 I.D. / ** 1.046 I.D.								
+ Heavy Duty								
• External Lock-Ring								

GLM Products, Inc.

Drive Shaft Housing Seal Kits & U-Joint Seal Carrier



Drive Shaft Housing Seal Kits

- 87501** OEM: 26-88397A1 Alpha One Gen II
- 87500** OEM: 26-32511A1 R / MR / Alpha One
- 87480** OEM: 26-16709A2 Bravo I, II, III, X, XR, XZ

U-Joint Seal Carrier

- 28370** OEM: 66081A2 Alpha One Gen II
MC-1 / R / MR / Alpha One
- 28372** OEM: 86779A1 All Bravo & Blackhawk

Drive Shaft Housing Mounting Kits



- 39622** OEM: 27-94996T2 Alpha One Gen II (1991 & Up)
R / MR / Alpha One
- 39590** OEM: 27-64818T4 R / MR / Alpha One
- 39640** OEM: 16755Q1 Bravo I, II, III, X, XR, XZ



DRIVE SHAFT HOUSING SEAL KITS & SEAL CARRIER APPLICATION

Model	Year	Serial No. Range	Drive Shaft Housing Seal Kit	U-Joint Seal Carrier
IA / IB / IC & EZ Shift	1964-1966	1684188-2065186	87500	28370
120 / 140	1967-1982	2062141-6225576	87500	28370
470 / 485	1976-1982	4208730-6225575	87500	28370
160 / 165	1967-1981	2065190 & Up	87500	28370
888	1971-1977	3106717 & Up	87500	28370
225 / 233	1974-1977	3856268 & Up	87500	28370
898 / 228 / 250 / 260	1977-1982	4782330-6225576	87500	28370
R	1983	6225577 & Up	87500	28370
MR / Alpha One	1984-1990	6225577 & Up	87500	28370
MR / Alpha One	1984-1990	6225577 & Up	87500	28370
MR / Alpha One	1984-1990	6225577 & Up	87500	28370
MR / Alpha One (CR)	1984-1990	6225577 & Up	87500	28370
MR / Alpha One (CR)	1984-1990	6225577 & Up	87500	28370
Alpha One SS	1986-1989	0A54004 & Up	87500	28370
Alpha One SS	1986-1989	0A54004 & Up	87500	28370
Alpha One SS	1986-1989	0A54004 & Up	87500	28370
Alpha One Gen II	1991-1995	0D469859-0F679999	87501	28370
Alpha One Gen II	1991-1995	0D469859-0F679999	87501	28370
Alpha One Gen II (CR)	1991-1995	0D469859-0F679999	87501	28370
Alpha One Gen II (CR)	1991-1995	0D469859-0F679999	87501	28370
Alpha One Gen II	1996-1997	0F680000-0K999999	87501	28370
Alpha One Gen II	1986-1997	0F680000-0K999999	87501	28370
Alpha One Gen II (CR)	1996 & Up	0F680000 & Up	87501	28370
Alpha One Gen II (CR)	1996 & Up	0F680000 & Up	87501	28370
Alpha One Gen II	1998 & Up	0L100040 & Up	87501	28370
Alpha One Gen II	1998 & Up	0L100040 & Up	87501	28370
Bravo I	1988 & Up	0B664190 & Up	87480	28372
Bravo II	1988 & Up	0B664190 & Up	87480	28372
Bravo II	1988 & Up	0B664190 & Up	87480	28372
Bravo III	1988 & Up	0B664190 & Up	87480	28372
Blackhawk	1994-1995	0F186717 & Up	87480	28372
TR	1973-1993	3377316 & Up	87580	N/A
TRS	1973-1993	3377316 & Up	87580	N/A

TOC
 Manifolds-Merc.
 Manifolds-OMC
 Manifolds-Volvo
 Manifolds-Bar
 MerCruiser
 Merc / Mar / For
 OMC / Volvo
 Johnson / Evin
 Yamaha
 Index / X-Ref.
 Warranty

GLM Products, Inc.

Drive Shaft Housing Shim Kits



Top Bearing Top Cover

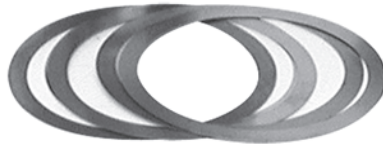
23260 OEM: 15-45691A1 For Bore Size 1.9375
23261 OEM: 15-32563A1 For Bore Size 1.7813

Drive Shaft Housing Shim Kits continued...



Double Bearing Shims

23280 OEM: 15-35980A1



Lower Bearing Shims

28370 OEM: 15-36178A1



Double Bearing Spacer

28380 OEM: 15-71013

STERN DRIVE SHIM APPLICATION

Model	Year	Serial No. Range	Fwd Gear Bearing Shim Kit	G/C D/S Upper Bearing Shim Kit	Rev. Gear Shim	Shim Kit Driven Gear	Shim Kit Drive Gear	Shim Kit Upper Cover	Spacer Shim Driven Gear
I	1963	1534570-1536617	-	-	-	N.L.A.	N.L.A.	23261	N/A
I	1963	1536618-1684187	-	23300	-	N.L.A.	N.L.A.	23261	N/A
IA / IB / IC & EZ Shift	1964-1966	1684188-2065186	23220	23300	-	23270	23280	23261	N/A
120 / 140	1967	2062141-2187468	23220	23300	-	23270	23280	23270	28380
120 / 140	1967-1969	2187469-2791956	23220	23300	-	23270	23280	23261	28380
120 / 140	1970-1971	2791957-3134193	23220	23300	-	23270	23280	N/A	28380
120 / 140	1971-1977	3213658-4893634	23220	23300	23290	23270	23280	23260	28380
120 / 140	1978-1982	4893635-6225576	23220	23300	-	23270	23280	23260	28380
470	1976-1977	4208730-4893934	23220	23300	23290	23270	23280	23260	28380
470 / 485	1978-1982	4893835-6225575	23220	23300	-	23270	23280	23260	28380
160	1967	2065190-2182197	23220	23300	-	23270	23280	23270	28380
160	1967-1969	2182198-2763441	23220	23300	-	23270	23280	23261	28380
165	1970-1971	2763442-3134193	23200	23300	-	23270	23280	N/A	28380
165	1971-1977	3213658-4890459	23220	23300	23290	23270	23280	23260	28380
165	1978-1981	4890460 & Up	23220	23300	-	23270	23280	23260	28380
888	1971-1972	3106717-3472477	23220	23300	-	23270	23280	N/A	28380
888	1973-1977	3472478 & Up	23220	23300	-	23270	23280	23260	28380
225-S	1974	3856268-4200499	23220	23300	-	23270	23280	23260	28380
233	1975-1977	4200500 & Up	23220	23300	-	23270	23280	23260	28380
898 / 228	1977	4782330-4898729	23220	23300	-	23270	23280	23260	28380
898 / 228	1978-1982	4898730-6225576	23220	23300	23290	23270	23280	23260	28380
250	1977	4791300-4899729	23220	23300	-	23270	23280	23260	28380
260	1978-1982	4898730-6225576	23220	23300	23290	23270	23280	23260	28380
R	1983-1984	6225577 & Up	23220	23300	23290	23270	23280	23260	28380
MR / Alpha One Grcs.	1984-1990	6225577 & Up	23220	23210	N/A	23270	23280	23260	28380
MR / Alpha One Grcs. (CR)	1983-1990	6225577 & Up	-	23210	23220	23270	23280	23260	28380
Alpha One SS	1986-1989	0A545004 & Up	23220	23210	N/A	N/A	23280	23260	28380
Alpha One Gen II	1991-1995	0D469859-0F679999	23220	23210	N/A	23270	23280	23260	28380
Alpha One Gen II	1996 & Up	0F680000 & Up	23221	23210	N/A	23270	23280	23261	28380
Alpha One Gen II (CR)	1991-1995	0D469859-0F679999	-	23210	23220	23270	23280	23260	28380
Alpha One Gen II (CR)	1996 & Up	0F680000 & Up	-	23210	23221	23270	23280	23261	28380
Blackhawk	1994-1995	0F186717 & Up	-	23210	-	N/A	N/A	N/A	N/A
III	1968-1972	2373127-3002613	-	-	N/A	-	23270	N/A	-

GLM Products, Inc.

Drive Shaft Housing Bearings Upper & Lower



Upper Drive Shaft Bearings

21510 OEM: 31-61100A1 1-15/16 O.D.

21511 OEM: 31-32575T1 1-25/32 O.D.

Lower Drive Shaft Bearings

21540 OEM: 31-35990A1

21550 OEM: 31-66818A1

21560 OEM: 31-32573A1

21630 OEM: 31-38356A1

Drive Shaft Housing Bearings U-Joint Shaft



U-Joint Shaft Bearings

21520 OEM: 31-35988A12

21522 OEM: 31-30894A5

21525 OEM: 31-86763A2

www.glmmarine.com

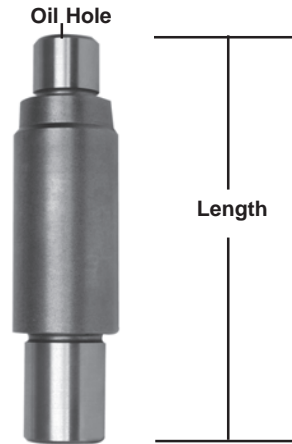
DRIVE SHAFT HOUSING BEARINGS APPLICATIONS

Model	Gear Ratio	Year	Serial No. Range	Bearing Assy. Drive Gear	Bearing Assy. Driven Gear	Bearing - Upper Cover
I	All	1963	1534570-1684187	N.L.A.	21560	21511
IA/IB/IC & EZ Shift	All	1964-1966	1684188-2065186	21520	21540	21511
120/140	1.98	1967	2062141-2187468	21520	21540	21540
120/140	1.98	1967-1971	2187469-3134193	21520	21540	21511
120/140	1.98	1971-1982	3213658-6225576	21520	21540	21510
470/485	1.84	1976-1982	4208730-6225575	21520	21540	21540
160	1.68	1967	2065190-2182197	21520	21540	21511
160	1.68	1967-1971	2182198-3134193	21520	21540	21510
165	1.65	1971-1981	3213658 & Up	21520	21540	21510
888	1.50	1974 & Up	3784375 & Up	21520	21540	21510
225-S	1.50	1974	3856268-4200499	21520	21540	21510
233	1.32	1975-1977	4200500 & Up	-	21550	21510
898/228	1.65	1977-1982	4782330-6225576	21520	21540	21510
250	1.32	1977	4791300-4898729	-	21550	21510
260	1.50	1978-1982	4898730-6225576	21520	21540	21510
R/MR/Alpha One	1.98/1.84/1.65/1.50	1984-1990	6225577 & Up	21520	21540	21510
R/MR/Alpha One	1.50	1984-1990	6225577 & Up	21520	21560	21510
R/MR/Alpha One	1.32	1984-1990	6225577 & Up	-	21550	21510
Alpha One SS	1.32	1986-1989	0A545004 & Up	-	21550	21510
Alpha One SS	1.50	1986-1989	0A545004 & Up	-	21560	21510
Alpha One Gen II	2.40/1.98/1.84/1.65	1991-1995	0D469859-0F679999	21520	21540	21510
Alpha One Gen II	1.50	1991-1995	0D469859-0F679999	21520	21560	21510
Alpha One Gen II	2.40/1.94/1.81/1.62	1996-1997	0F680000-0K999999	21520	21540	21511
Alpha One Gen II	1.47	1996-1997	0F680000-0K999999	21520	21560	21511
Alpha One Gen II	2.40/2.00/1.94/1.81/1.62	1998 & Up	0L100040 & Up	21522	21540	21511
Alpha One Gen II	1.47	1998 & Up	0L100040 & Up	21522	21560	21511
Bravo I/II/III	All	1988 & Up	0B664190-0F345867	21525	-	-
Blackhawk	All	1994-1995	0F186717 & Up	21525	-	-
III	All	1968-1972	2373127-3002613	-	-	N/A
215H	All	1970	2782203-2909034	-	N.L.A.	N/A
TR/TRS	All	1973-1993	3377316 & Up	-	-	N/A
TR/TRS	All	1973-1993	3377316 & Up	21630	-	N/A



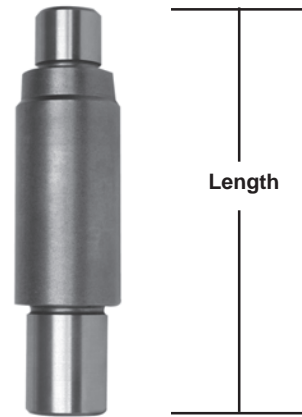
GLM Products, Inc.

Upper Drive Shaft - Alpha One Gen II



11131 OEM: 45-55796-1 *With Oil Hole* Length: 4-7/16"

Upper Drive Shaft - MC-1/R/MR/Alpha One



11130 OEM: 45-55796 *Without Oil Hole* Length: 4-7/16"

UPPER DRIVE SHAFT APPLICATIONS

Model	Year	Serial No.	GLM	OEM
Alpha One Gen II	1998 & Up	OL100040 & Up	11131	45-55796-1
Alpha One Gen II	1991-1997	OD469859-OK999999	11131	45-55796-1
MC-1 / R / MR / Alpha One	1990 & Before	6225577-OD469858	11130	45-55796

Upper DS Hsg. - Oil Seals



85022	OEM: 26-864319	Vertical D.S.	Alpha One Gen II
85060	OEM: 26-96503	Vertical D.S.	MC-1/R/MR/Alpha One
85020	OEM: 26-32511	Driven Gear	MC-1/R/MR/Alpha One
85030	OEM: 26-823894	Yoke	MC-1/R/MR/Alpha One & Gen II
86730	OEM: 26-807006	Yoke	Bravo
85820	OEM: 26-12709	Oil Seal	Bravo

Upper DS Hsg. - Grommets



12831	OEM: 26-88397	Alpha One Gen II
85150	OEM: 26-36557	MC-1 / R / MR / Alpha One (For Water Pocket Cover)

Upper DS Hsg. - Guide Tube



12831 OEM: 26-88397 Alpha One Gen II

Upper DS Hsg. - Cover Assy. & Components



28402	OEM: 828692A1	Cover Assy.	Alpha One Gen II
28400	OEM: 94998A4	Cover Assy.	R / MR / Alpha One
21511	OEM: 31-32575T1	Bearing	R / MR / Alpha One & Gen II
23261	OEM: 15-32563A1	Shim	R / MR / Alpha One & Gen II
28300	OEM: 10-98794	Screw	R / MR / Alpha One & Gen II
80420	OEM: 25-32546	O-ring	R / MR / Alpha One & Gen II

Upper DS Hsg. - Water Pocket Cover Kit & Components



12200	OEM: 42724A3	Pocket Cvr Kit	MC-1 / MR Alpha One
31150	OEM: 27-55810-1	Gasket	MC-1 / MR / Alpha One
85150	OEM: 26-36557	Grommet	MC-1 / MR / Alpha One
12202	OEM: 32-54236	Water Tube	MC-1 / MR / Alpha One
22440	OEM: 10-28668	Screw	MC-1 / MR / Alpha One

TOC

Manifolds-Merc.

Manifolds-OMC

Manifolds-Volvo

Manifolds-Barr

MerCruiser

Merc / Mar / For

OMC / Volvo

Johnson / Evin

Yamaha

Index / X-Ref.

Warranty

Upper Drive Shaft Housing Ring



28390 OEM: 35983 Alpha One & Gen II

Upper Drive Shaft Housing Retainer



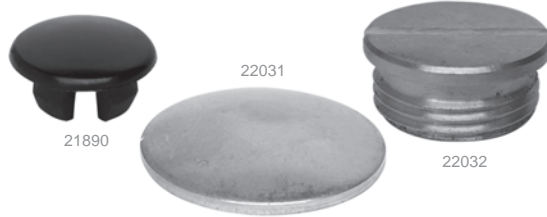
28350 OEM: 816811-2 Alpha One & Gen II

Upper Drive Shaft Housing Shift Shaft Bushing



21423 OEM: 23-32632 Alpha One

Upper Drive Shaft Housing Plugs



21890 OEM: 19-47579 Alpha One
22031 OEM: 19-42682 Alpha One (Welch Plug 1-1/4 O.D.)
22032 OEM: 22-42861-1 Alpha One

Upper Drive Shaft Housing Bravo Seals



86310 OEM: 16755Q1 Bravo
86720 OEM: 12708 Bravo

Upper Drive Shaft Housing Collar Keeper



12920 OEM: 97351 Bravo

Upper Drive Shaft Housing Spring Kit



12930 OEM: 24-17997A1
 Alpha One Gen II / Bravo
 Vazer & Blackhawk

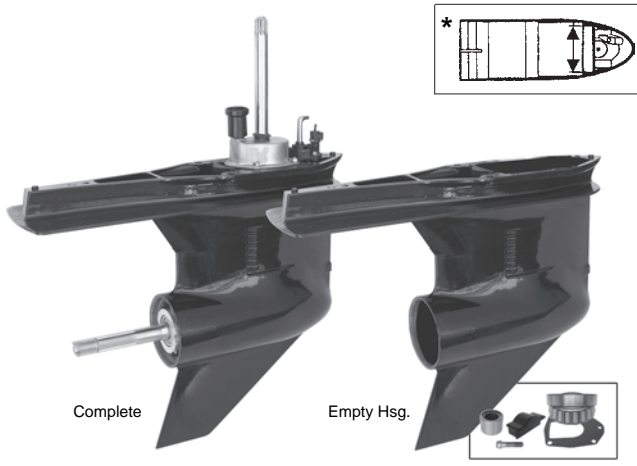
Upper Drive Shaft Housing Draining Screw Set



22420 OEM: 10-79953Q2 For All
31170 OEM: 12-19183-3 (Gasket Only)

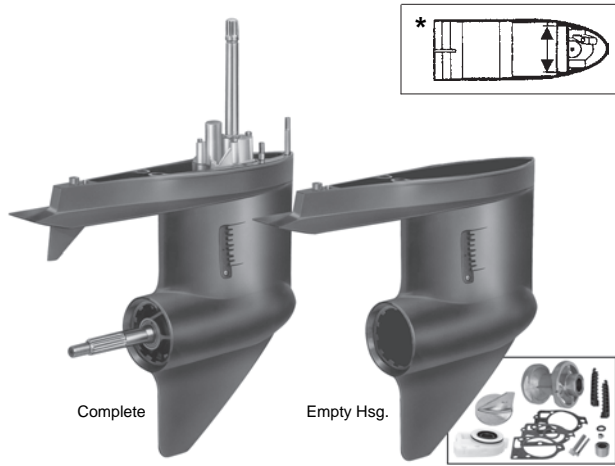
GLM Products, Inc.

Gearcase (Lower) Alpha One Generation II



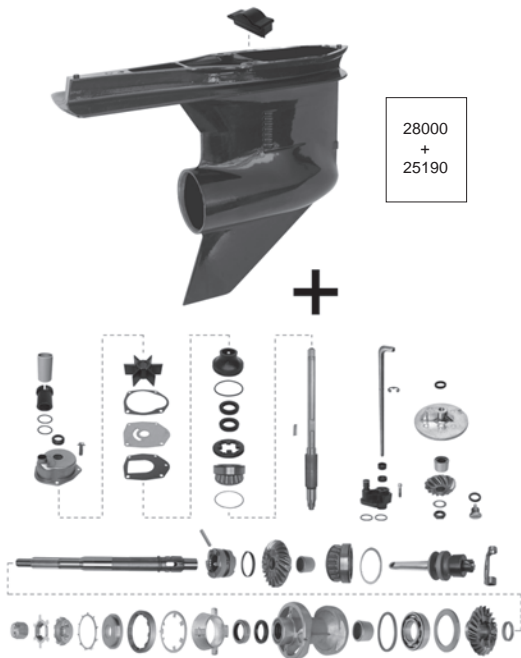
Complete Gearcase (Lower) Assembly				
GLM	OEM	Ratio	Rotation	Drive Unit
18300	1623-815822A53	13:22	Standard Rotation	Alpha One Gen II
Empty Gearcase				
28000	1623-815822A30, SN# OD469859-OK999999 1623-815822A36 *Forward Gear Roller Bearing Bore Size: 3.4985-3.500 inch I.D. (88.86-88.90 mm)			

Gearcase (Lower) MC-1 / R / MR / Alpha One



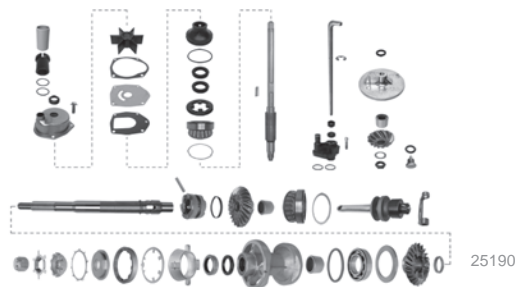
Complete Gearcase (Lower) Assembly				
GLM	OEM	Ratio	Rotation	Drive Unit
18100	1623-8951A43	13:21	Standard Rotation	MC-1 / R / MR Alpha One
Empty Gearcase				
18000	1623-8951A37	*Forward Gear Roller Bearing Bore Size: 3.4985-3.500 inch I.D. (88.86-88.90 mm)		

Complete Gearcase Assembly Kit Alpha One Generation II



28120 OEM: N/A SN# OD469859-OK999999
Forward Gear Roller Bearing Bore Size: 3.4985-3.500 inch I.D. (88.86-88.90 mm)

Gearcase Rebuild Kits (w/out Housing) Alpha One Gen II & MR / Alpha One

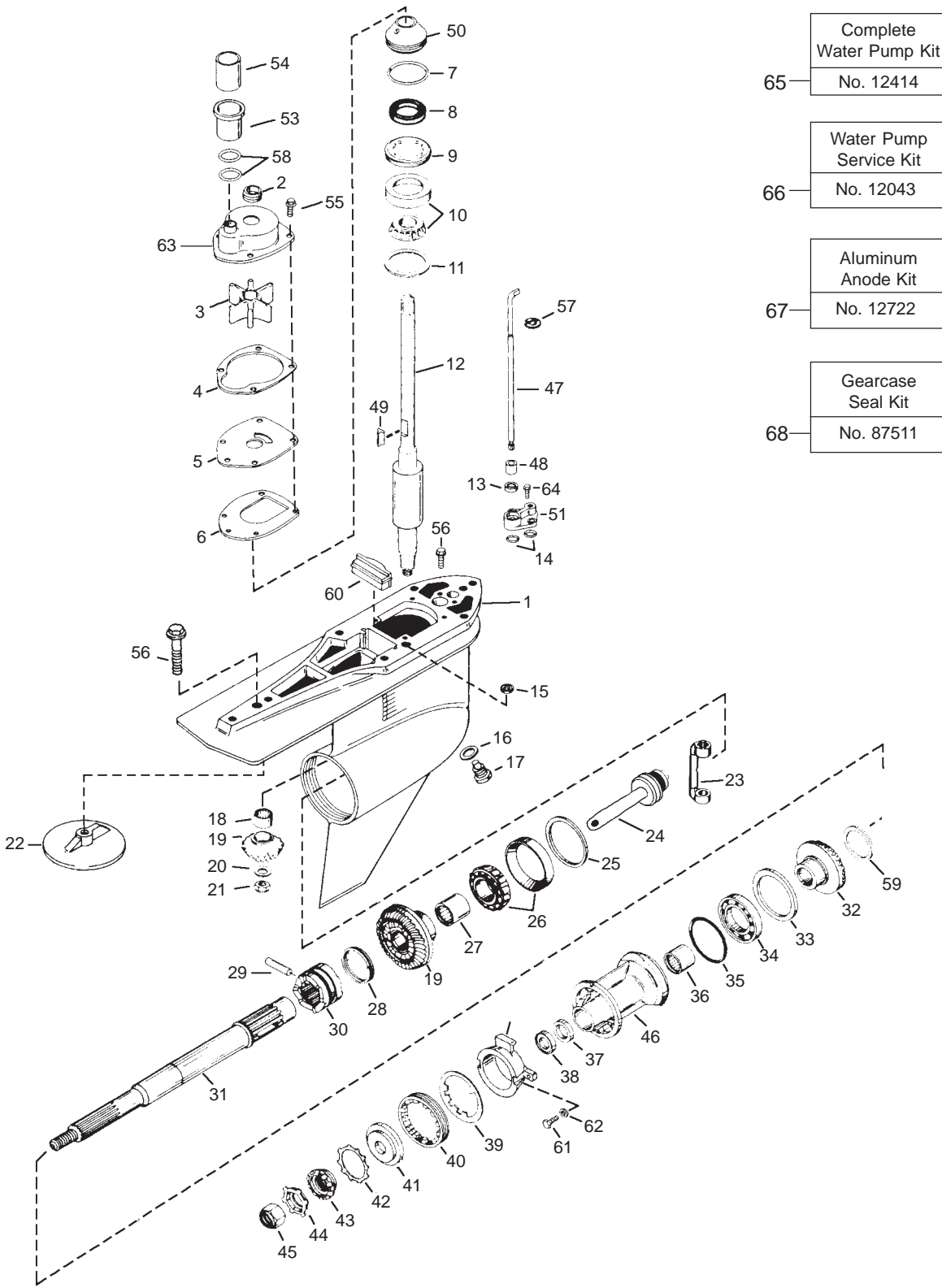


GLM	SN # Range	Year	Drive Unit
25193	OL100040 & Up	1998 & Up	Alpha One Gen II
	F.G. Bearing: 3.265 O.D. / D.S. Bearing: 1.000 I.D. (Comes with No. 11092)		
25192	OL100040 & Up	1998 & Up	Alpha One Gen II
	F.G. Bearing: 3.265 O.D. / D.S. Bearing: 1.000 I.D. (Comes with No. 11092 & No. 21580)		
25191	0F680000-OK999999	1996-1997	Alpha One Gen II
	F.G. Bearing: 3.265 O.D. / D.S. Bearing: 1.0625 I.D. (Comes with No. 11092, No. 21580 & No. 11140)		
25190	0D469859-0F679999	1991-1995	Alpha One Gen II
	F.G. Bearing: 3.5 O.D. / D.S. Bearing: 1.0625 I.D. (Comes with No. 11091, No. 21580 & No. 11120)		
18190	(Does not include empty housing No. 18001 with pinion bearing)		MR / Alpha One

TOC
Manifolds-Merc.
Manifolds-OMC
Manifolds-Volvo
Manifolds-Barr
MerCruiser
Merc / Mar / For
OMC / Volvo
Johnson / Evin
Yamaha
Index / X-Ref.
Warranty

GLM Products, Inc.

GEARCASE - ALPHA ONE GEN II



Complete Water Pump Kit
65 — No. 12414

Water Pump Service Kit
66 — No. 12043

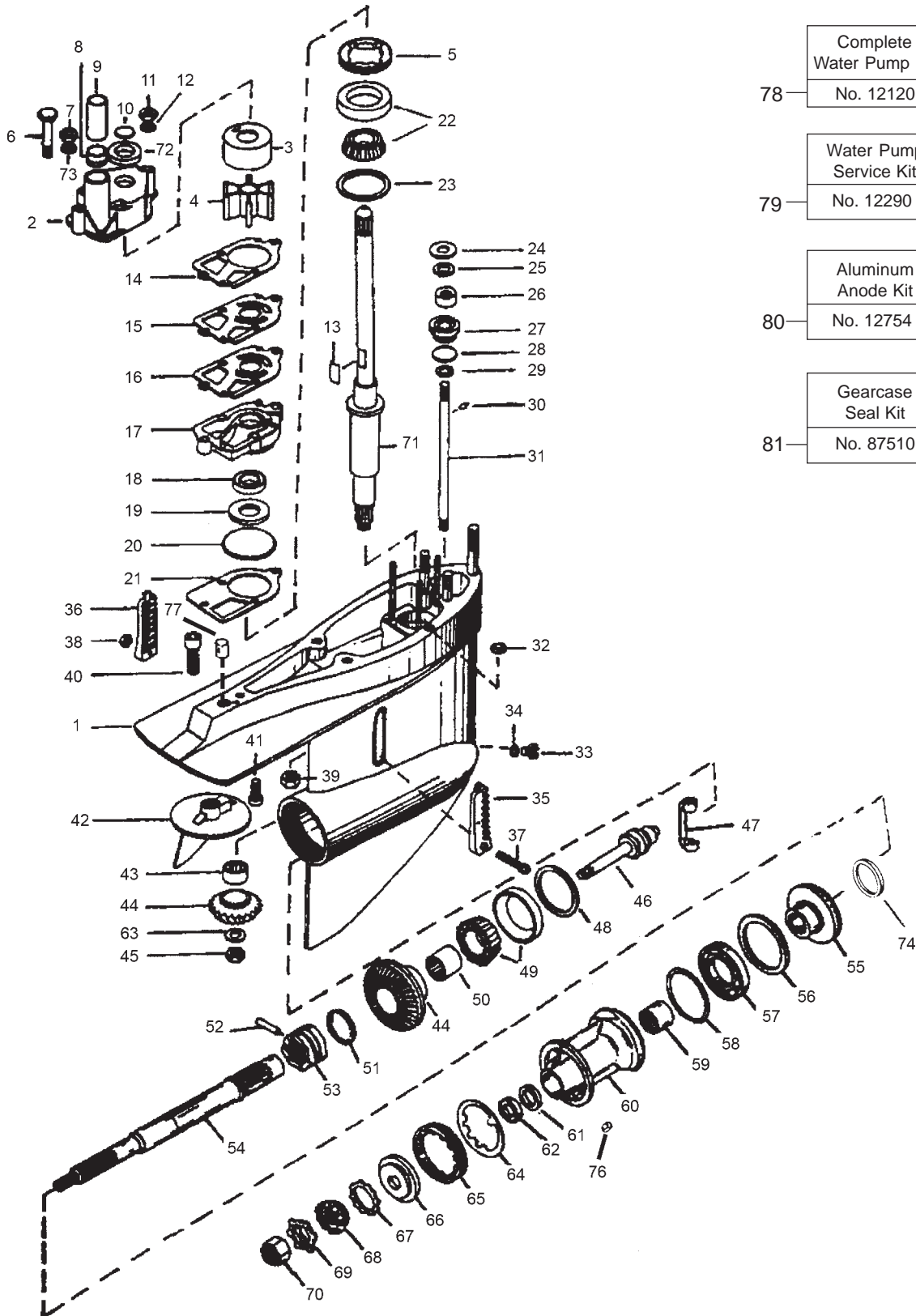
Aluminum Anode Kit
67 — No. 12722

Gearcase Seal Kit
68 — No. 87511

TOC
Manifolds-Merc.
Manifolds-OMC
Manifolds-Volvo
Manifolds-Barr
MerCruiser
Merc / Mar / For
OMC / Volvo
Johnson / Evin
Yamaha
Index / X-Ref.
Warranty

GLM Products, Inc.

GEARCASE - MR & ALPHA ONE



Complete Water Pump Kit
78 — No. 12120

Water Pump Service Kit
79 — No. 12290

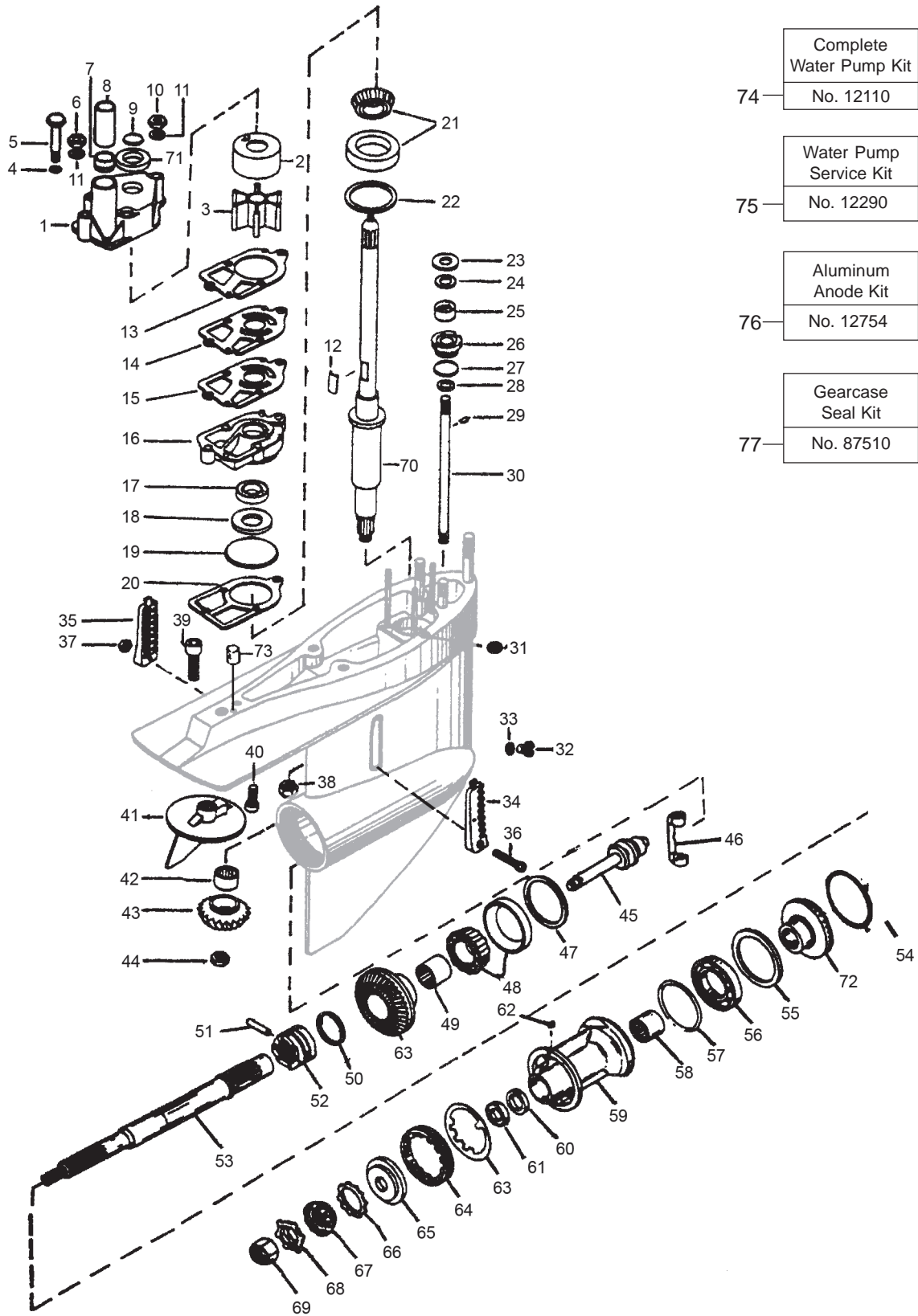
Aluminum Anode Kit
80 — No. 12754

Gearcase Seal Kit
81 — No. 87510

TOC
Manifolds-Merc.
Manifolds-OMC
Manifolds-Volvo
Manifolds-Barr
MerCruiser
Merc / Mar / For
OMC / Volvo
Johnson / Evin
Yamaha
Index / X-Ref.
Warranty

GLM Products, Inc.

GEARCASE - MC-1 & R



Complete Water Pump Kit
74 No. 12110

Water Pump Service Kit
75 No. 12290

Aluminum Anode Kit
76 No. 12754

Gearcase Seal Kit
77 No. 87510



TOC
Manifolds-Merc.
Manifolds-OMC
Manifolds-Volvo
Manifolds-Barr
MerCruiser
Merc / Mar / For
OMC / Volvo
Johnson / Evin
Yamaha
Index / X-Ref.
Warranty

GLM Products, Inc.

GEARCASE - BRAVO I & II

TOC

Manifolds-Merc.

Manifolds-OMC

Manifolds-Volvo

Manifolds-Barr

MerCruiser

Merc / Mar / For

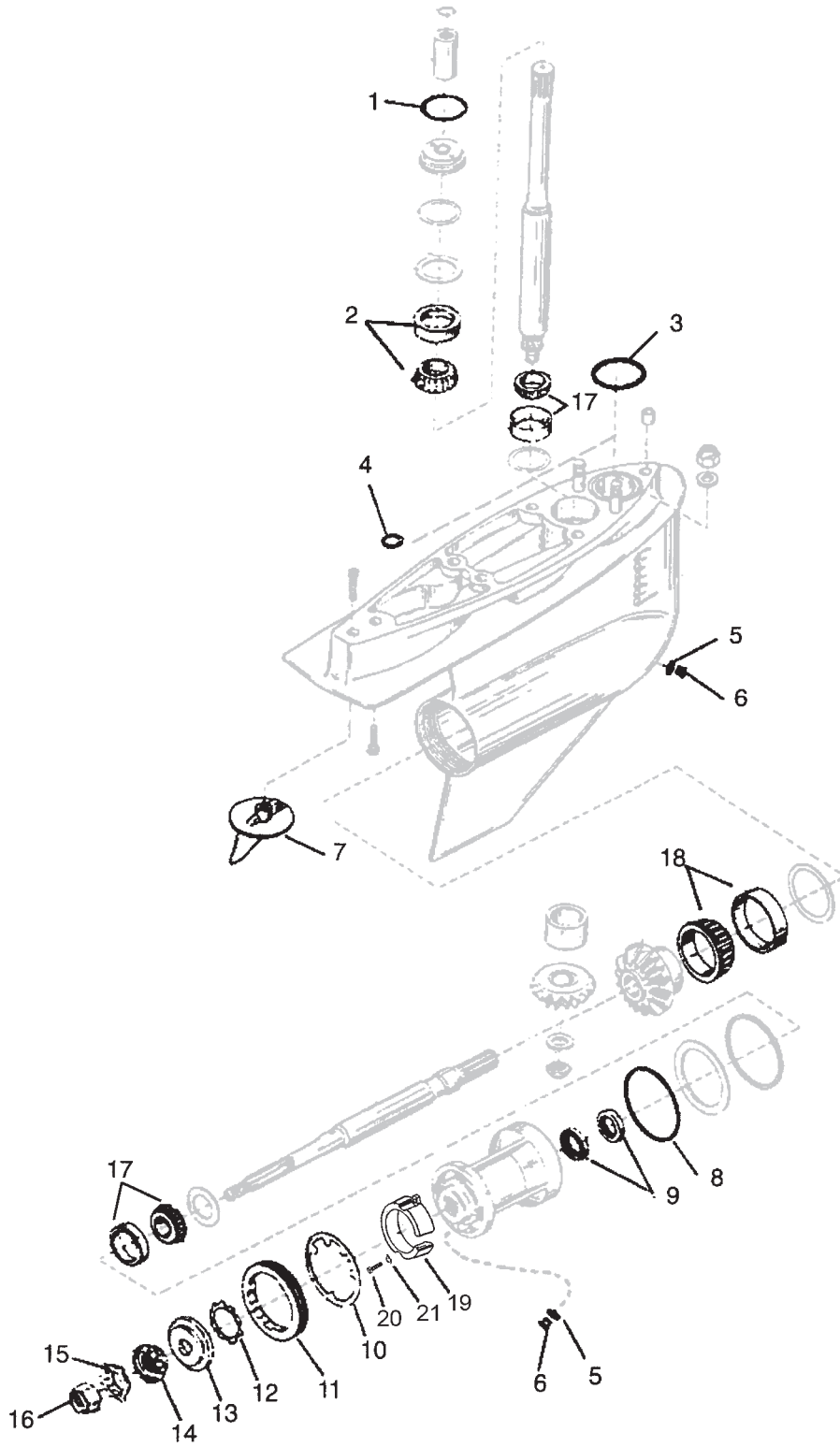
OMC / Volvo

Johnson / Evin

Yamaha

Index / X-Ref.

Warranty



22	Aluminum Anode Kit No. 12724
----	---------------------------------

23	Aluminum Anode Kit No. 12726
----	---------------------------------

24	Gearcase Seal Kit No. 87490
----	--------------------------------

GLM Products, Inc.

GEARCASE - BRAVO III

TOC

Manifolds-Merc.

Manifolds-OMC

Manifolds-Volvo

Manifolds-Barr

MerCruiser

Merc / Mar / For

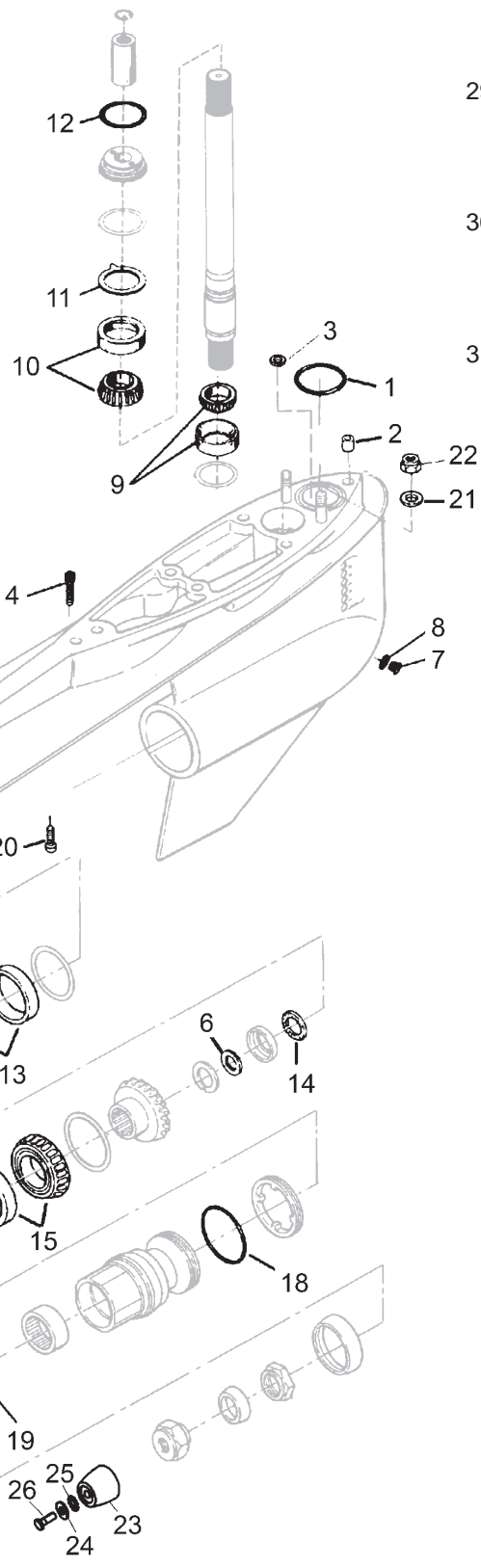
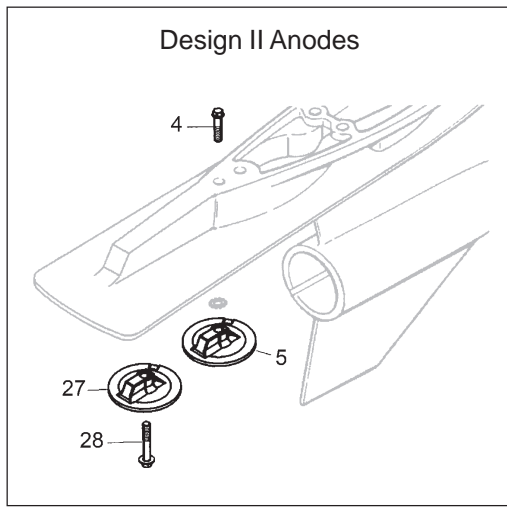
OMC / Volvo

Johnson / Evin

Yamaha

Index / X-Ref.

Warranty



- 29 Aluminum Anode Kit No. 12726
- 30 Aluminum Anode Kit No. 12891
- 31 Gearcase Seal Kit No. 87490



TOC

Manifolds-Merc.

Manifolds-OMC

Manifolds-Volvo

Manifolds-Barr

MerCruiser

Merc / Mar / For

OMC / Volvo

Johnson / Evin

Yamaha

Index / X-Ref.

Warranty

Gearcase Seal & Bearing Kits



25155

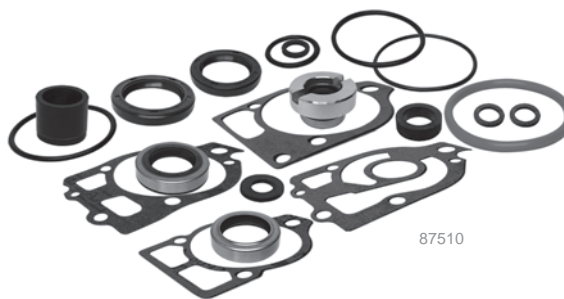
Gearcase Seal & Bearing Kit with Gears

25155	OEM: 43-803073T1	Alpha One Gen II (1998 & Up)
25145	OEM: 43-803071T1	Alpha One Gen II (1996-1997)
25135	OEM: 43-803069T1	Alpha One Gen II (1991-1995)
25125	OEM: 43-803091T1	MR / Alpha One
25115	OEM: 43-803079T1	MC-1 / R

Gearcase Seal & Bearing Kit without Gears

25150	OEM: 31-803096T1	Alpha One Gen II (1998 & Up)
25140	OEM: 31-803095T1	Alpha One Gen II (1996-1997)
25130	OEM: 31-803094T1	Alpha One Gen II (1991-1995)
25120	OEM: 31-803090T1	MR / Alpha One
25110	OEM: 31-803068T1	MC-1 / R

Gearcase Seal Kits



87510

87511	OEM: 26-816575A3	Alpha One Gen II
87510	OEM: 26-33144A2	MC-1 / R / MR / Alpha One
87490	OEM: 26-76868A2	Bravo I, II, III
87580	OEM: N/A	TR & TRS



GEARCASE SEAL & BEARING KIT / SEAL KIT APPLICATION

Model	Year	Serial No. Range	Gearcase Seal & Bearing Kit	Gearcase Seal Kit
IA / IB / IC & EZ Shift	1964-1966	1684188-2065186	N/A	87510
120 / 140	1967-1982	2062141-6225576	N/A	87510
470 / 485	1976-1982	4208730-6225575	N/A	87510
160 / 165	1967-1981	2065190 & Up	N/A	87510
888	1971-1977	3106717 & Up	N/A	87510
225 / 233	1974-1977	3856268 & Up	N/A	87510
898 / 228 / 250 / 260	1977-1982	4782330-6225576	N/A	87510
R	1983	6225577 & Up	25110 / 25115	87510
MR / Alpha One	1984-1990	6225577 & Up	25120 / 25125	87510
MR / Alpha One (CR)	1984-1990	6225577 & Up	-	87510
Alpha One SS	1986-1989	0A54004 & Up	N/A	87511
Alpha One Gen II	1991-1995	0D469859-0F679999	25130 / 25135	87511
Alpha One Gen II (CR)	1991-1995	0D469859-0F679999	25140 / 25145	87511
Alpha One Gen II	1996-1997	0F680000-0K999999	25140 / 25145	87511
Alpha One Gen II	1986-1997	0F680000-0K999999	-	87511
Alpha One Gen II (CR)	1996 & Up	0F680000 & Up	25150 / 25155	87511
Alpha One Gen II	1998 & Up	0L100040 & Up	25150 / 25155	87511
Bravo I	1988 & Up	0B664190 & Up	-	87490
Bravo II	1988 & Up	0B664190 & Up	-	87490
Bravo III	1988 & Up	0B664190 & Up	-	87490
Blackhawk	1994-1995	0F186717 & Up	N/A	87480

GLM Products, Inc.

Gearcase Gear Sets Alpha One Generation II



11312



* Forward gear has retaining ring to stop needle bearing movement

Complete Gear Sets 13:21

11312	OEM: 43-878087A4 SN# 0D469859-0F679999 All ratios except 2.0/2.4	Alpha One Gen II (1991-1995) w/ No. 21590 (3.500 O.D.) (No.11091 + No.11013)
11313	OEM: N/A SN# OF680000 & Up All ratios except 2.0/2.4	Alpha One Gen II (1996 & Up) w/ No. 21593 (3.265 O.D.) (No.11092 + No.11013)

Pinion & Forward Gear Sets 13:21

11091	OEM: N/A SN# 0D469859-0F679999	Alpha One Gen II (1991-1995) w/ No. 21590 (3.500 O.D.)
11092	OEM: 43-878087A2 SN# OF680000 & Up	Alpha One Gen II (1996 & Up) w/ No. 21593 (3.265 O.D.)

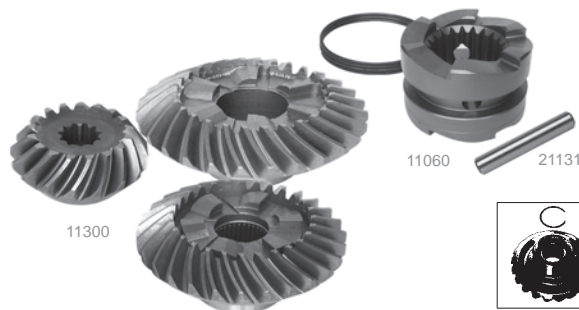
Reverse Gear & Thrust Spacer

11013	OEM: 43-828073A1	R.Gear w/ Spacer	Alpha One Gen II
11012	OEM: 23-824108	Thrust Spacer Only	Alpha One Gen II

Clutch Dog, Spring & Cross Pin

11060	OEM: 52-853594T	Clutch Dog	For All
11050	OEM: 24-30893	Spring	For All
21131	OEM: 17-30632	Cross Pin	For All

Gearcase Gear Sets MC-1 / R / MR / Alpha One



11300



* Forward gear has retaining ring to stop needle bearing movement

Complete Gear Sets

11300	OEM: 43-96084A4 without Pinion Bearing	MC-1 & R (No.11100 + No.11020)
11312	OEM: 43-878087A4 SN# 0D469859-0F679999	MR & Alpha One (13:21) w/ No. 21590 (3.500 O.D.) (No.11091 + No.11013)

Pinion & Forward Gear Sets

11100	OEM: 43-96084A7	MC-1 & R
11091	OEM: N/A SN# 0D469859-0F679999	MR / Alpha One (13:21) w/ No. 21590 (3.500 O.D.)

Reverse Gear & Thrust Spacer

11020	OEM: 43-92320T	R.Gear Only	MC-1 & R
11013	OEM: 43-828073A1	R.Gear w/ Spacer	MR & Alpha One
11012	OEM: 23-824108	Thrust Spacer Only	MR & Alpha One

Clutch Dog, Spring & Cross Pin

11060	OEM: 52-853594T	Clutch Dog	For All
11050	OEM: 24-30893	Spring	For All
21131	OEM: 17-30632	Cross Pin	For All

Alpha One Gen II (1996 & Up)

Use No.
11313
for 3.265"



Alpha One Gen II (1991-1995)

Use No.
11312
for 3.500"



MC-1 / R / MR & Alpha One

Use No.
11312
for 3.500"



GEAR SET & CLUTCH DOG APPLICATION

Model	Gear Ratio	Year	Serial No. Range	Pinion & Fwd Gear	Reverse Gear	Complete Gear Set	Clutch Dog
120 / 140	1.98	1972-1982	3469428-6225576	11100	11020	11300	11060
470 / 485	1.84	1976-1982	4208730-6225575	11100	11020	11300	11060
165	1.65	1972-1981	3469428 & Up	11100	11020	11300	11060
888	1.50	1971-1977	3106717 & Up	11100	11020	11300	11060
225 / 233	1.50 / 1.32	1974-1977	3856268 & Up	11100	11020	11300	11060
898 / 228	1.65 / 1.50	1977-1982	4782330-6225576	11100	11020	11300	11060
250 / 260	1.50 / 1.32	1977-1982	4791300-6225576	11100	11020	11300	11060
R	All	1983	6225577 & Up	11100	11020	11300	11060
MR / Alpha One	All	1984-1990	6225577 & Up	11091	11013	11312	11060
Alpha One SS	All	1986-1989	0A545004 & Up	11091	11013	11312	11060
Alpha One Gen II	1.98 / 1.84 / 1.65 / 1.50	1991-1995	0D469859-0F679999	11091	11013	11312	11060
Alpha One Gen II	1.94 / 1.81 / 1.62 / 1.47	1996-1997	0F680000-0K999999	11091	11013	11313	11060
Alpha One Gen II	2.00 / 1.94 / 1.81 / 1.62 / 1.47	1998 & Up	0L100040 & Up	11091	11013	11313	11060

TOC
Manifolds-Merc.
Manifolds-OMC
Manifolds-Volvo
Manifolds-Barr
MerCruiser
Merc / Mar / For
OMC / Volvo
Johnson / Evin
Yamaha
Index / X-Ref.
Warranty

GLM Products, Inc.

TOC

Manifolds-Merc.

Manifolds-OMC

Manifolds-Volvo

Manifolds-Bar

MerCruiser

Merc / Mar / For

OMC / Volvo

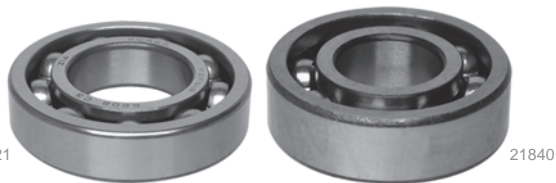
Johnson / Evin

Yamaha

Index / X-Ref.

Warranty

Gearcase Ball Bearing



21621

21840

21621 OEM: 30-31265

21840 OEM: 30-63326T

21620 OEM: 30-88957T For Reverse Gear

Needle Roller Bearing



11420

21610

11420 OEM: 31-30895T For Forward Gear

11410 OEM: 31-30956T For Propshaft Bearing Carrier

22770 OEM: 31-15844 For Reverse Gear, Alpha Counter Rotating

21610 OEM: 31-42647A1 For Pinion Gear, MR / Alpha One & Gen II

Tapered Roller Bearing



21591

21630

21590 OEM: 31-35928T1 For Forward Gear - Large Bearing
1.875" I.D. / 3.500" O.D.

21591 OEM: 31-828437A2 For Forward Gear - Large Bearing
1.750" I.D. / 3.500" O.D.

21593 OEM: 31-828439A2 For Forward Gear - Small Bearing
1.875" I.D. / 3.265" O.D.

21820 OEM: 30-30894A1 For Forward Gear - Large Bearing
1.750" I.D. / 3.500" O.D.

21630 OEM: 31-38356A1

21580 OEM: 31-36387A1 For Drive Shaft - MR/Alpha One & Gen II

21584 OEM: 31-33138A1 For Drive Shaft - MR/Alpha One & Gen II

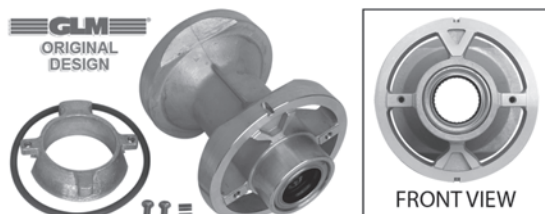
21570 OEM: 31-53079A1 For Drive Shaft - MC-1 / R

21581 OEM: 31-66668A1 For Prop Shaft / Drive Shaft - Bravo

21512 OEM: 31-86748A1 For Drive Shaft - Bravo

21592 OEM: 31-86752A1 For Forward Gear - Bravo

Bearing Carrier Assembly



11405 OEM: 73020A14, 73020A20, 818763A4, 818763A10

Tab Washer



11381

11380 OEM: 14-79447

11381 OEM: 14-18323

Cover Nut



21110

21110 OEM: 52699

21120 OEM: 8M2011027

Key

For Alpha One



11080 OEM: 28-30281

BEARING CARRIER APPLICATION

Model	Year	Serial No. Range	Bearing Carrier	Brng Carrier Cover Nut	Brng Carrier Tab Washer	Brng Carrier O-ring	Brng Carrier Seal
60	1965-1966	1830753-2063740	-	-	N.L.A.	83345	85080
80 / 90	1966-1972	2063741-3225967	N.L.A.	21110	-	83345	85210
I	1963	1534570-1684187	-	21110	-	83415	85130
IA / IB / IC & EZ	1964	1684188-1777798	-	21120	-	83445	85130
120 / 140	1967-1969	2062141-2791956	-	21120	-	83445	85130
120 / 140	1970-1982	2791957-6225576	11405	21120	11380	83445	85130
470 / 485	1976-1982	4208730-6225575	11405	21120	11380	83445	85130
160	1967-1969	2065190-2763441	-	21120	-	83445	85130
165	1970-1981	2763442 & Up	11405	21120	11380	83445	85130
898 / 225 / 233	1971-1977	3784375 & Up	11405	21120	11380	83445	85130
898 / 228 / 250 / 260	1977-1982	4782330-6225576	11405	21120	11380	83445	85130
R	1983	6225577 & Up	11405	21120	11381	83445	85130
MR / Alpha One Grcs.	1984-1990	6225577 & Up	11405	21120	11381	83445	85130
MR / Alpha One (CR)	1984-1990	6225577 & Up	-	21120	11381	83445	85700
Alpha One SS	1986-1989	0A545004 & Up	11405	21120	11380	83445	85130
Alpha One Gen II	1991 & Up	0D469859 & Up	11405	21120	11381	83445	85130
Alpha One Gen II (CR)	1991-1995	0D469859-0F679999	-	21120	11381	83445	85700
Alpha One Gen II (CR)	1996 & Up	0F680000 & Up	-	21120	11381	83445	85130
Bravo I	1988 & Up	0B664190 & Up	-	21120	11381	83445	85130
Bravo II	1988 & Up	0B664190 & Up	-	21120	-	83505	85510

GLM Products, Inc.

BEARING CARRIER APPLICATION CONTINUED...

Model	Year	Serial No. Range	Bearing Carrier	Brng Carrier Cover Nut	Brng Carrier Tab Washer	Brng Carrier O-ring	Brng Carrier Seal
Bravo III	1988 & Up	0B664190 & Up	-	-	N/A	82425	-
Blackhawk	1994-1995	0F186717 & Up	-	-	N/A	83465	-
III	1968-1972	2373127-3002613	N.L.A.	-	-	-	-
215 H	1970	2782203-2909034	N.L.A.	-	-	83505	85510
215 E	1970-1972	2909035-2915034	N.L.A.	-	-	83505	85510
TR	1973-1993	3377316 & Up	-	-	-	83505	85510
TRS	1973-1993	3377316 & Up	-	21120	11380	83445	85130

GEARCASE BEARING APPLICATION

Model	Year	Serial No. Range	Bearing Carrier Bearing	Drive Shaft Bearing Lower	Drive Shaft Bearing Upper	Fwd Gear Inside Roller Bearing	Fwd Gear Outer Bearing	Reverse Gear Bearing
60	1965-1966	1830753-2063740	-	-	-	-	21630	-
80 / 90	1966-1972	2063741-3225967	11410	-	N.L.A.	11420	21820	21621
I	1963	1534570-1536617	11410	-	21840	11420	21820	21621
I	1963	1536618-1563353	11410	-	-	11420	21820	21621
I	1963	1563354-1684187	11410	-	N.L.A.	11420	21820	21621
IA / IB / IC & EZ Shift	1964-1966	1684188-2065186	11410	-	21580	11420	21590	21620
120 / 140	1967-1969	2062141-2791956	11410	-	21580	11420	21590	21620
120 / 140	1970-1977	2791957-4893634	11410	-	21570	11420	21590	21620
120 / 140	1978-1982	4893635-6225576	11410	21600	21570	11420	21590	21620
470	1976-1977	4208730-4893934	11410	-	21570	11420	21590	21620
470 / 485	1978-1982	4893835-6225575	11410	21600	21570	11420	21590	21620
160	1967-1969	2065190-2763441	11410	-	21580	11420	21590	21620
165	1970-1977	2763442-4890459	11410	-	21570	11420	21590	21620
165	1978-1981	4890460 & Up	11410	21600	21570	11420	21590	21620
888	1971-1977	3106717 & Up	11410	-	21570	11420	21590	21620
225 / 233	1974-1977	3856268 & Up	11410	-	21570	11420	21590	21620
898 / 228	1977	4782330-4898729	11410	-	21570	11420	21590	21620
898 / 228	1978-1982	4898730-6225576	11410	21600	21570	11420	21590	21620
250	1977	4791300-4898729	11410	-	21570	11420	21590	21620
260	1978-1982	4898730-6225576	11410	21600	21570	11420	21590	21620
R	1983	6225577 & Up	11410	21600	21570	11420	21590	21620
MR / Alpha One	1984-1990	6225577 & Up	11410	21610	21580	11420	21590	21620
MR / Alpha One (CR)	1984-1990	6225577 & Up	11410	21610	21580	-	-	-
Alpha One SS	1986-1989	0A545004 & Up	11410	21610	21580	11420	21590	21620
Alpha One Gen II	1991-1995	0D469859-0F679999	11410	21610	21580	11420	21590	21620
Alpha One Gen II (CR)	1991-1995	0D469859-0F679999	11410	21610	21580	-	-	-
Alpha One Gen II	1996-1997	0F680000-0K999999	11410	21610	21580	11420	21820	21620
Alpha One Gen II	1996-1997	0F680000-0K999999	11410	21610	21580	11420	21591	21620
Alpha One Gen II (CR)	1996-1997	0F680000-0K999999	11410	21610	21580	-	-	22770
Alpha One Gen II (CR)	1996-1997	0F680000-0K999999	11410	21610	21580	-	-	-
Alpha One Gen II	1998 & Up	0L100040 & Up	11410	21610	21584	11420	21820	21620
Alpha One Gen II (CR)	1998 & Up	0L100040 & Up	11410	21610	21584	-	-	22770
Alpha One Gen II (CR)	1998 & Up	0L100040 & Up	11410	21610	21584	-	-	-
Bravo I	1988 & Up	0B664190 & Up	21581	-	21512	N/A	21592	N/A
Bravo I	1988 & Up	0B664190 & Up	21581	-	21581	N/A	21592	N/A
Bravo II	1988 & Up	0B664190 & Up	-	-	21512	N/A	-	N/A
Bravo II	1988 & Up	0B664190 & Up	-	-	21581	N/A	-	N/A
Bravo III	1988 & Up	0B664190 & Up	-	-	21512	N/A	21592	-
Bravo III	1988 & Up	0B664190 & Up	-	-	21581	N/A	21592	-
Blackhawk	1994-1995	0F186717 & Up	-	-	21580	N/A	21592	-
Blackhawk	1994-1995	0F186717 & Up	-	-	-	N/A	21590	-
II	1962-1969	1474909-2671321	N.L.A.	-	N.L.A.	N.L.A.	21820	N/A
III	1968-1972	2373127-3002613	N.L.A.	-	N.L.A.	N.L.A.	N.L.A.	N/A
215E/H	1970-1972	2782203-2915034	-	-	N.L.A.	N/A	-	-TR
1973-1993	3377316 & Up	-	-	21540	N/A	-	-	-
TR	1973-1993	3377316 & Up	-	-	-	N/A	-	-
TRS	1973-1993	3377316 & Up	11410	-	-	N/A	21590	21581
TRS	1973-1993	3377316 & Up	11410	-	-	N/A	-	21590

GLM Products, Inc.

TOC

Manifolds-Merc.

Manifolds-OMC

Manifolds-Volvo

Manifolds-Barr

MerCruiser

Merc / Mar / For

OMC / Volvo

Johnson / Evin

Yamaha

Index / X-Ref.

Warranty

Gearcase Shim Kits



Gearcase to Drive Shaft Bearing Cup

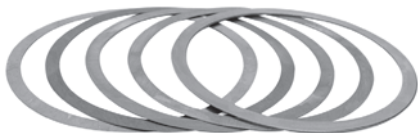
23210 OEM: 15-42637A1 MR/Alpha One & Gen II

Gearcase Shim Kits continued...



Gearcase to Drive Shaft Bearing Cup

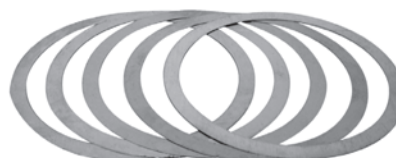
23300 OEM: 15-57007A1 MC-1 / R



Forward Gear Bearing Cup to Gearcase

23220 OEM: 15-47397A1 For Bore Size: 3.500"

23221 OEM: 15-44491A1 For Bore Size: 3.265"



Thrust Washer to Gearcase

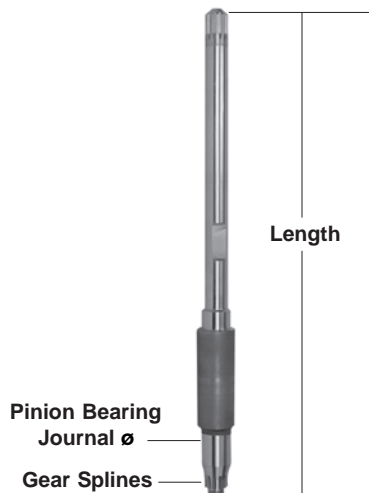
23290 OEM: 15-97166 MC-1 / R / MR

STERN DRIVE SHIM APPLICATION

Model	Year	Serial No. Range	Fwd Gear Bearing Shim Kit	G/C D/S Upper Bearing Shim Kit	Rev. Gear Shim	Shim Kit Driven Gear	Shim Kit Drive Gear	Shim Kit Upper Cover	Spacer Shim Driven Gear
I	1963	1534570-1536617	-	-	-	N.L.A.	N.L.A.	23261	N/A
I	1963	1536618-1684187	-	23300	-	N.L.A.	N.L.A.	23261	N/A
IA / IB / IC & EZ Shift	1964-1966	1684188-2065186	23220	23300	-	23270	23280	23261	N/A
120 / 140	1967	2062141-2187468	23220	23300	-	23270	23280	23270	28380
120 / 140	1967-1969	2187469-2791956	23220	23300	-	23270	23280	23261	28380
120 / 140	1970-1971	2791957-3134193	23220	23300	-	23270	23280	N/A	28380
120 / 140	1971-1977	3213658-4893634	23220	23300	23290	23270	23280	23260	28380
120 / 140	1978-1982	4893635-6225576	23220	23300	-	23270	23280	23260	28380
470	1976-1977	4208730-4893934	23220	23300	23290	23270	23280	23260	28380
470 / 485	1978-1982	4893835-6225575	23220	23300	-	23270	23280	23260	28380
160	1967	2065190-2182197	23220	23300	-	23270	23280	23270	28380
160	1967-1969	2182198-2763441	23220	23300	-	23270	23280	23261	28380
165	1970-1971	2763442-3134193	23200	23300	-	23270	23280	N/A	28380
165	1971-1977	3213658-4890459	23220	23300	23290	23270	23280	23260	28380
165	1978-1981	4890460 & Up	23220	23300	-	23270	23280	23260	28380
888	1971-1972	3106717-3472477	23220	23300	-	23270	23280	N/A	28380
888	1973-1977	3472478 & Up	23220	23300	-	23270	23280	23260	28380
225-S	1974	3856268-4200499	23220	23300	-	23270	23280	23260	28380
233	1975-1977	4200500 & Up	23220	23300	-	23270	23280	23260	28380
898 / 228	1977	4782330-4898729	23220	23300	-	23270	23280	23260	28380
898 / 228	1978-1982	4898730-6225576	23220	23300	23290	23270	23280	23260	28380
250	1977	4791300-4899729	23220	23300	-	23270	23280	23260	28380
260	1978-1982	4898730-6225576	23220	23300	23290	23270	23280	23260	28380
R	1983-1984	6225577 & Up	23220	23300	23290	23270	23280	23260	28380
MR / Alpha One Grcs.	1984-1990	6225577 & Up	23220	23210	N/A	23270	23280	23260	28380
MR / Alpha One Grcs. (CR)	1983-1990	6225577 & Up	-	23210	23220	23270	23280	23260	28380
Alpha One SS	1986-1989	0A545004 & Up	23220	23210	N/A	N/A	23280	23260	28380
Alpha One Gen II	1991-1995	0D469859-0F679999	23220	23210	N/A	23270	23280	23260	28380
Alpha One Gen II	1996 & Up	0F680000 & Up	23221	23210	N/A	23270	23280	23261	28380
Alpha One Gen II (CR)	1991-1995	0D469859-0F679999	-	23210	23220	23270	23280	23260	28380
Alpha One Gen II (CR)	1996 & Up	0F680000 & Up	-	23210	23221	23270	23280	23261	28380
Blackhawk	1994-1995	0F186717 & Up	-	23210	-	N/A	N/A	N/A	N/A
III	1968-1972	2373127-3002613	-	-	N/A	-	23270	N/A	-

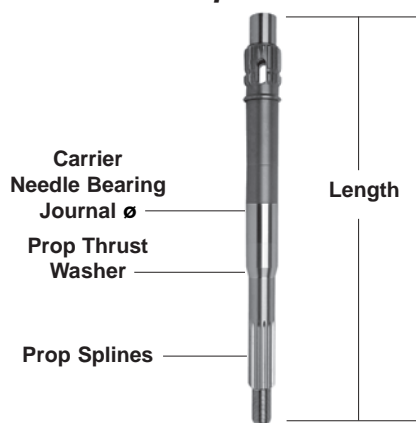
GLM Products, Inc.

Lower Drive Shafts



- 11110** OEM: 45-41939F1 Mercruiser I, except MR/Alpha One
Length: 18-3/4", **Journal ø:** 1", **Gear Splines:** 11
- 11120** OEM: 45-42634 MR / Alpha One w/o preload pins
Length: 18-3/16", **Journal ø:** 1-1/8", **Gear Splines:** 13
- 11140** OEM: 45-816919, Alpha One Gen II (1991 & Up)
45-816472, 45-853647, 45-853648 - All Ratios
Length: 18-3/16", **Journal ø:** 1-1/8", **Gear Splines:** 13

Prop Shaft



- 11155** OEM: 44-850308 MC-1 / R / MR / Alpha One & Gen II
Length: 15-1/2", **Journal ø:** 1-3/16", **Prop Splines:** 15
Prop Thrust Washer: 21301

Shift Shafts



- 21031** OEM: 815919A1 Alpha One Gen II **Length:** 12-1/8"
- 21030** OEM: 77481-1 MC-1/R/MR/Alpha One **Length:** 9-1/4"

LOWER DRIVE SHAFT, PROP SHAFT & SHIFT SHAFT APPLICATION

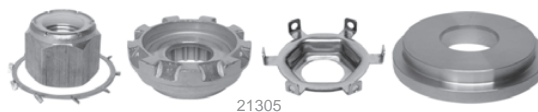
Model	Year	Serial No. Range	Lower Drive Shaft	Prop Shaft	Shift Shaft
IA / IB / IC EZ	1965-1966	1776349-2065186	-	N.L.A.	21030
120 / 140	1967-1969	2062141-2791956	-	N.L.A.	21030
120 / 140	1970-1982	2791957-6225576	11110	11155	21030
470 / 485	1976-1982	4208730-6225575	11110	11155	21030
160	1967-1969	2065190-2763441	-	N.L.A.	21030
165	1970-1981	2763442 & Up	11110	11155	21030
888 / 225 / 233	1971-1977	3106717 & Up	11110	11155	21030
898 / 228 / 250 / 260	1977-1982	4782330-6225576	11110	11155	21030
R	1983	6225577 & Up	11110	11155	21030
MR / Alpha One Grcs.	1984-1990	6225577 & Up	11120	11155	21030
MR / Alpha One (CS)	1984-1990	6225577 & Up	11120	-	21030
Alpha One SS	1986-1989	0A545004 & Up	-	11155	-
Alpha One Gen II	1991-1997	0D469859-0K999999	11140	11155	21031
Alpha One Gen II (CR)	1991-1995	0D469859-0F679999	11140	-	21031
Alpha One Gen II (CR)	1996-1997	0F680000-0K999999	11140	-	21031
Alpha One Gen II	1998 & Up	0L100040 & Up	11140	11155	21031
Alpha One Gen II (CR)	1998 & Up	0L100040 & Up	-	-	21031

Prop Tools



- 90095** (OEM: N/A) Prop & Bearing Carrier Puller for Mercruiser All Style Bearing Carrier & Most Prop. (Capacity: 5 ton min.)
- 90065** OEM: 91-821887A1 Prop Wrench Kit - 1-1/16", Color: Blue With Built In Tab Bender

Prop Service Kits & Components



- 21305** OEM: N/A Prop Service Kit
- 21250** OEM: 11-52707Q1 Prop Nut & Tab Washer Kit
- 21230** OEM: 11-827614 Prop Nut
- 21760** OEM: 13-42351-1 Lock Washer
- 21360** OEM: 12-31211A3 Tab Washer Receiver
- 21200** OEM: 14-816629Q Tab Washer
- 21301** OEM: 12-835467-1 Thrust Washer (Brass)
- 21300** OEM: 13171 Thrust Washer (Stainless Steel)

TOC
Manifolds-Merc.
Manifolds-OMC
Manifolds-Volvo
Manifolds-Barr
MerCruiser
Merc / Mar / For
OMC / Volvo
Johnson / Evin
Yamaha
Index / X-Ref.
Warranty

TOC

Manifolds-Merc.

Manifolds-OMC

Manifolds-Volvo

Manifolds-Barr

MerCruiser

Merc / Mar / For

OMC / Volvo

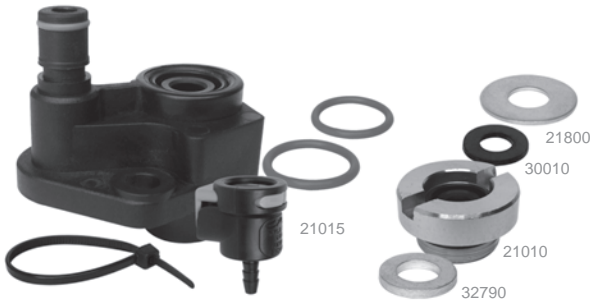
Johnson / Evin

Yamaha

Index / X-Ref.

Warranty

**Lower Gearcase
Shift Bushings, Gasket & Washers**



21015	OEM: 23-815921A21	Bushing Kit	Alpha One Gen II
21017	OEM: 23-815921A20	Bushing	Alpha One Gen II
21010	OEM: 23-30617A2	Bushing	MC-1/R/MR/Alpha One
30010	OEM: 12-31266	Gasket	MC-1/R/MR/Alpha One
21800	OEM: 12-8M0042641	Washer	MC-1/R/MR/Alpha One
32790	OEM: 12-27880	Washer	MC-1/R/MR/Alpha One

**Lower Gearcase
Bushing Service Kit, Sleeve & E-Ring**



21016	OEM: N/A	Service Kit	Alpha One Gen II
85850	OEM: 23-67370	Sleeve	Alpha One Gen II
21136	OEM: 53-29641	E-Ring	Alpha One Gen II

**Lower Gearcase
Shift Crank & Shift Spool**



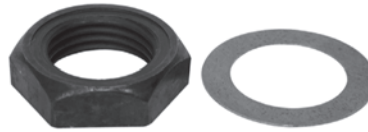
11040	OEM: 76865	Shift Crank	Alpha One & Gen II
11030	OEM: 818349T1	Shift Spool	Alpha One & Gen II

**Lower Gearcase
Retainer & Carrier Assembly**



23200	OEM: 824519-1	Retainer	Alpha One & Gen II
12341	OEM: 807929A1	Carrier Assy.	Alpha One & Gen II

**Lower Gearcase
Pinion Nut Set**



11191	OEM: 12-92721	Pinion Nut Set	Alpha One & Gen II + 11-35921
11190	OEM: 11-35921	Pinion Nut	Alpha One & Gen II
32800	OEM: 12-92721	Washer	Alpha One & Gen II

**Lower Gearcase
Inserts & Hardware**



21880	OEM: 93424-1	Port	MC-1 / R / MR / Alpha One
21870	OEM: 93423-1	Stbd	MC-1 / R / MR / Alpha One
12822	OEM: 10-76156	Screw	MC-1 / R / MR / Alpha One
21161	OEM: 11-45812	Nut	MC-1 / R / MR / Alpha One
21180	OEM: 11-826711-9	Nut	MC-1 / R / MR / Alpha One

**Lower Gearcase
Draining Screw Set**



21731	OEM: 22-8M0058389	Screw Set	Alpha One & Gen II
31170	OEM: 12-19183-3	Gasket	For All

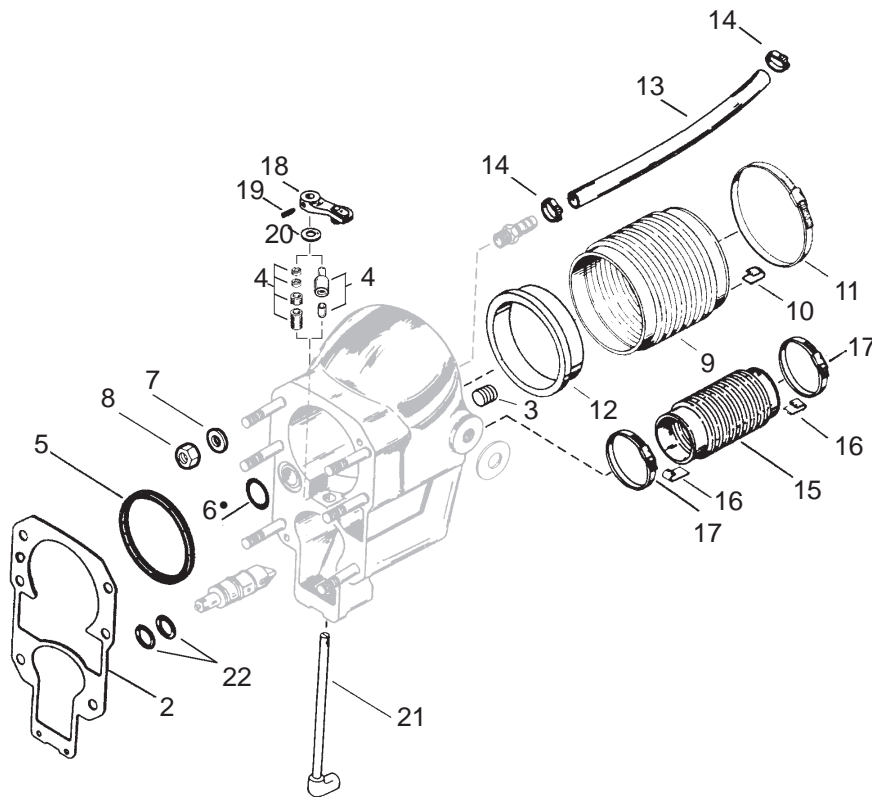
Lower Gearcase - Screws



12834	OEM: 10-40003-27	Screw	Alpha One Gen II
21741	OEM: 10-806327	Screw	Alpha One Gen II
22430	OEM: 10-30206	Screw	Alpha One & Gen II
21740	OEM: 10-32470	Trim Tab Screw	Alpha One
12822	OEM: 10-76156	Insert Screw	MC-1 / R / MR / Alpha One

GLM Products, Inc.

BELL HOUSING - ALPHA ONE GEN II



- 1 — Bell Housing Gasket Kit
No. 39622
- 4 — Shift Shaft Bushing Kit
No. 87561
- Shift Shaft Bushing Kit
No. 87562
- 23 — Transom Service Kit
No. 21960

Ref No.	GLM No.	OEM No.	Description
1♦	39622	27-94996T2	Bell Housing Gasket Kit
2●	31141	27-94996T2	Gasket (Not Sold Separately)
3	21893	22-32802	Pipe Plug
4	87561	23-805041A2	Bushing & Oil Seal Kit (Serial# F094774 & Below)
4	87562	23-806036A1	Bushing & Oil Seal Kit (Serial# F094775 & Up)
5●	31160	27-35982	Gasket, Rubber
6●	82200	25-33504	O-ring
7	21666	12-35935	Washer
8	21170	11-859116	Nut
8	28410	11-859135	Locknut, Flanged
9♦	89180	816431A1	Universal Joint Bellows Assembly
10	89440	54-86049	Grounding Clip
11	01100	54-815504372	Clamp
12	89181	816607	Sleeve
13♦	47110	32-41725-33	Water Hose
14	01071	912627	Clamp
15♦	89100	18654A1	Exhaust Bellows
16	89440	54-86049	Grounding Clip
17	01070	54-815504348	Clamp
18	21140	45518A2	Lever Assembly
19	21750	10-45590	Screw (1-1/16")
20+	30040	12-39116	Washer
21	21419	816685	Shift Shaft, Upper
22●	80120	25-48171	O-ring
23	21960	30-803099T1	Transom Service Kit

♦ Included in Kit No. 39622

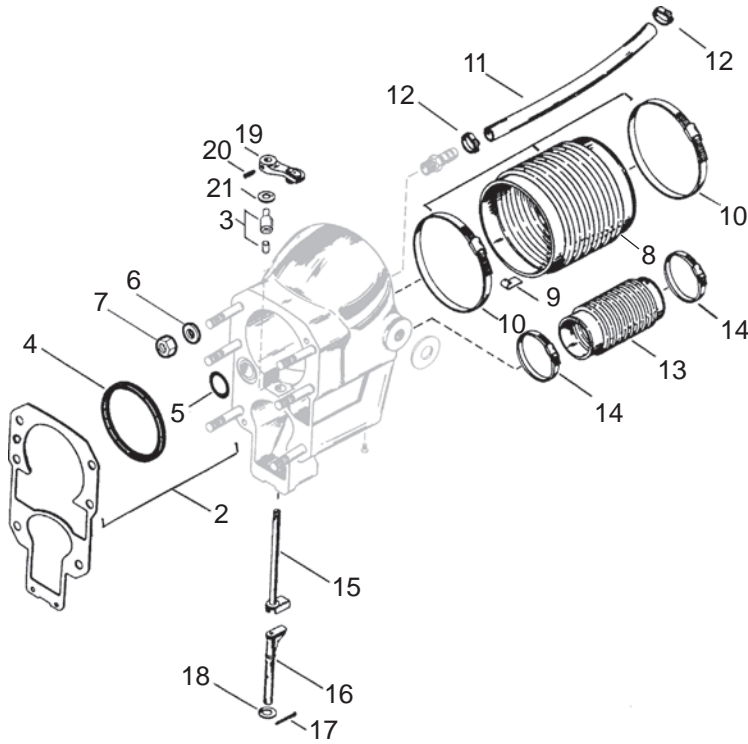
♦ Included in Kit No. 21960

+ Included in Kit No. 87561

TOC
Manifolds-Merc.
Manifolds-OMC
Manifolds-Volvo
Manifolds-Barr
MerCruiser
Merc / Mar / For
OMC / Volvo
Johnson / Evin
Yamaha
Index / X-Ref.
Warranty

GLM Products, Inc.

BELL HOUSING - MC-1 / R / MR / ALPHA ONE



- 1 — Bell Housing Gasket Kit
No. 39590
- Bell Housing Gasket Kit
No. 39622
- 3 — Shift Shaft Bushing Kit
No. 87561
- 22 — Transom Service Kit
No. 21950
- 23 — Transom Service Kit
No. 21951

Ref No.	GLM No.	OEM No.	Description
1	39590	27-64818T4	Bell Housing Gasket Kit (MC-1)
1*	39622	27-94996T2	Bell Housing Gasket Kit (R, MR, Alpha One)
2•	31130	27-64818T4	Gasket (MC-1) (Not Sold Separately)
2+	31141	27-94996-2	Gasket (R, MR, Alpha One) (Not Sold Separately)
3	87561	23-805041A2	Shift Shaft Bushing Kit
4**	31160	27-35982	Gasket, Rubber
5**	82200	25-33504	O-ring
6	21666	12-35935	Washer
7	21170	11-13439-1	Nut
7	28410	11-859135	Locknut, Flanged
8*	89050	60932A4	Bellows Assembly
9	89440	54-86049	Grounding Clip
10	01100	54-815504372	Clamp
11*	47120	32-32461	Water Hose 5/8" I.D.
11*	47110	32-41725-33	Water Hose 3/4" I.D.
12	01071	912627	Clamp
13*	89100	18654A1	Bellows
13-	89150	78458A1	Exhaust Tube (454 / Magnum / JackShaft Models)
14	01070	54-815504348	Clamp
15	21420	45589A3	Shaft Assembly
16	21421	62104	Shift Shaft
17	22100	18-32665	Cotter Pin
18	21422	12-32666	Washer
19	21140	45518A2	Lever Assembly
20	21750	10-45590	Screw
21♦	30040	12-39116	Washer
22	21950	30-803097T1	Transom Service Kit with Exhaust Bellows
23	21951	30-803098T1	Transom Service Kit with Exhaust Tube

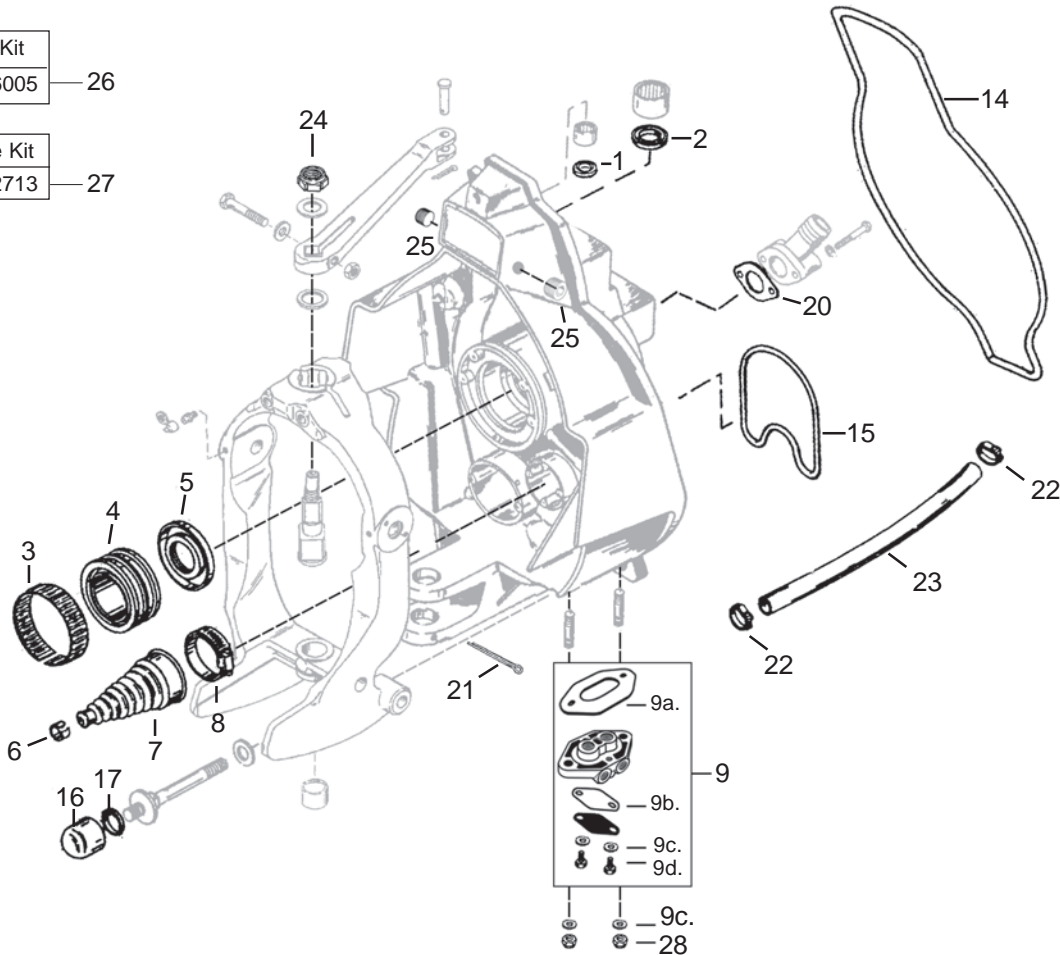
• Included in Kit No. 39590 + Included in Kit No. 39622
 * Included in Kit No. 21950 ♦ Included in Kit No. 87561
 - Included in Kit No. 21951



GLM Products, Inc.

GIMBAL HOUSING w/ RING - MC-1 / R / MR / ALPHA ONE / ALPHA ONE GEN II

- Plug Kit
No. 16005 — 26
- Anode Kit
No. 12713 — 27



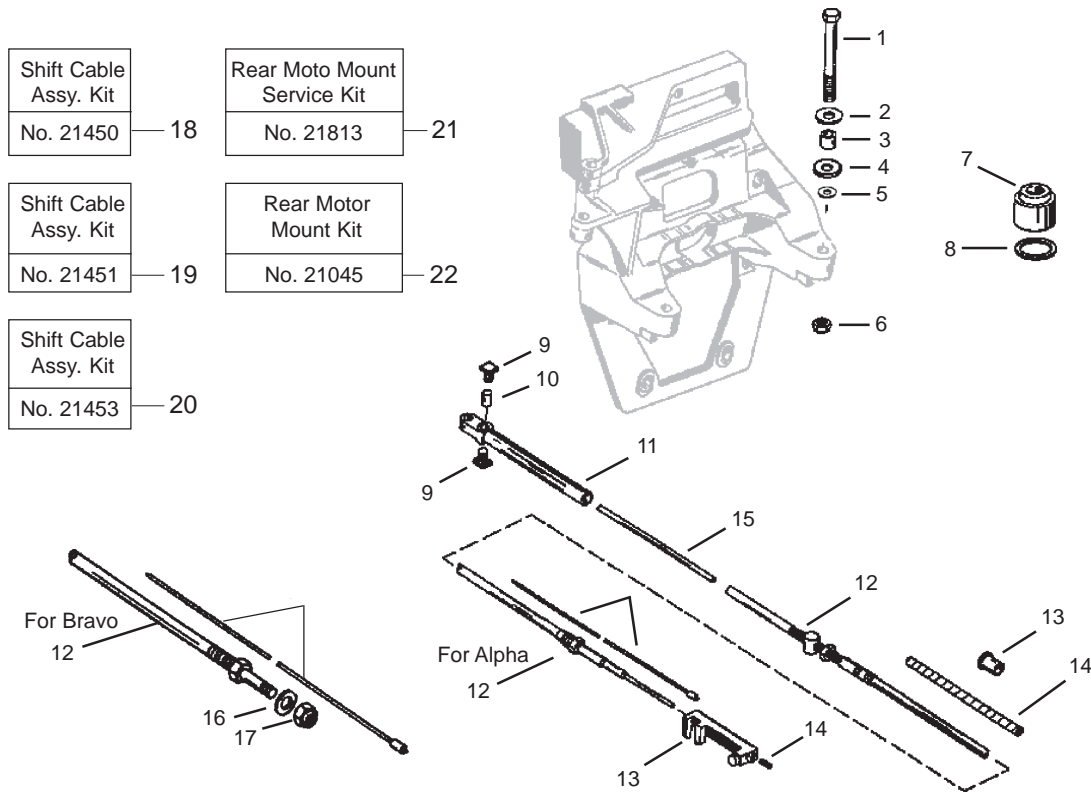
Ref No.	GLM No.	OEM No.	Description	Ref No.	GLM No.	OEM No.	Description
1	85420	26-54925	Oil Seal	9d.+	22440	10-28636	Screw
2	85440	26-32911	Oil Seal	14	86712	65533A1	Transom Seal (MC-1 / R / MR / Alpha One)
3	21851	61075	Tolerance Ring	14	86711	43713	Transom Seal (Alpha One Gen II)
4	21906	30-879194A01, 30-879194A02, 30-862540A3, 30-60794A4	Gimbal Bearing (New Maintenance Free!) Includes No. 21851 & 85910	15	82460	41802	Seal
				16	12700	55989Q9	Anode
				17	30355	12-56085	Gasket
				18•	12713	821631Q1	Anode
5	85910	26-88416	Oil Seal	19•	85656	12077	Seal
6	21790	54-38863	Clamp	20	33000	27-44108-1	Gasket
7	89080	74639A2	Bellow	21	22147	18-54929	Cotter Pin
8	21791	54-31766	Clamp	22	01071	912627	Clamp
9	21970	98825A4	Trim Connector Kit	23	47110	32-41725-33	Water Hose 3/4" O.D.
9a.+	32500	27-98823-1	Gasket	23	47120	32-32461	Water Hose 5/8" O.D.
9b.♦♦	32160	27-99506-1	Gasket, Cover	24♦	21164	11-25599	Locknut
9c.+	05009	13-78968	Lockwasher	25♦	12967	22-88847	Plug
				26	16005	22-88847A1	Plug Kit
				27	12713	821631Q1	Aluminum Anode Kit
				28	21180	11-826711-9	Locknut

- Included in Kit No. 12713
- + Included in Kit No. 21970
- ♦ Included in Kit No. 16005



GLM Products, Inc.

TRANSOM PLATE & SHIFT CABLE



Ref No.	GLM No.	OEM No.	Description
1▪	19310	10-97934	Bolt
2▪	19320	12-35777	Washer
3▪	19340	23-99299	Spacer
4*-<	30020	12-32834	Fibre Washer
5*-<	19326**	12-54012	Washer (**As Required. See Install Instructions)
6▪	19350	11-863332	Locknut
7*-<	21043*	865330	Rear Motor Mount (*Not Sold Separately. Must order Kit No. 21045)
8*-<	21050	99322	Spacer, Stainless Steel
9*+♦	21433	10-20518	Set Screw
10*+♦	21432	43436	Anchor
11*+	21430	43433	Guide
12*+	21710	41951A1	Cable Assembly (MC1 / R / MR / Alpha One / Alpha One Gen II)
12♦	21711	815471A3	Cable Assembly (All Bravo)
13*+♦	21463	14705	Tube
14*+	21462	38473	Wrapping
15	21780	32-38377	Tube
16	32600	12-815472	Washer
17	21162	11-49910	Nut
18	21450	865436A03	Shift Cable Assembly Kit w/ Gasket (R / MR / Alpha One / Alpha One Gen II)
19	21451	865436A02	Shift Cable Assembly Kit (R / MR / Alpha One / Alpha One Gen II)
20	21453	815471T1	Shift Cable Assembly Kit (Bravo)
21	21813	N/A	Rear Motor Mount Service Kit
22	21045	865330A02	Motor Mount Kit

- Included in Kit No. 21450 ▪ Included in Kit No. 21813
- + Included in Kit No. 21451 < Included in Kit No. 21045
- ♦ Included in Kit No. 21453



GLM Products, Inc.

Transom Service Kits



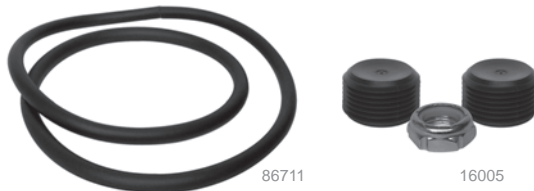
- 21960** OEM: 30-803099T1 Alpha One Gen II
- 21950** OEM: 30-803097T1 R / MR / Alpha One
- 21951** OEM: 30-803098T1 R / MR / Alpha One
- 21965** OEM: 8M0095485 Bravo & Blackhawk

Bell Housing Gasket Sets & O-rings



- 39622** OEM: 27-94996T2 R / MR / Alpha One & Gen II
- 39590** OEM: 27-64818T4 MC-1
- 39640** OEM: 16755Q1 All Bravo & Blackhawk
- 39600** OEM: 27-54014T1 E.H. TR & TRS

Transom Seals / Plug Kit



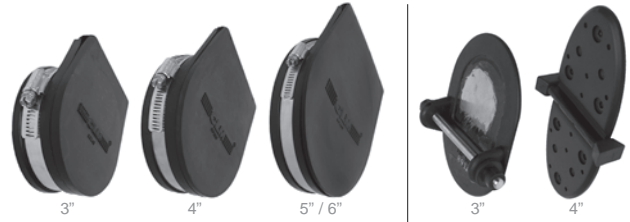
- 86711** OEM: 43713 Alpha One Gen II / Bravo
- 86712** OEM: 65533A1 MC-1 / R / MR / Alpha One
- 16005** OEM: 22-88847A1 Plug Kit

Water Hose Kit, Hoses, Inserts & Driver



- 47230** OEM: 32-8M0090859 Hose Kit for Bravo & Blackhawk
- 47133** OEM: 32-43437 For Bravo Inserts (2) & Driver
- 47110** OEM: 32-41725-33 3/4" O.D. R / MR / Alpha One & Gen II
- 47120** OEM: 32-32461 5/8" O.D. MC-1 / R / MR
- 47236** OEM: 32-8M0040618, Oil Monitor Hose, 57" Length
32-8M0062600 & 32-19409-71 Late Model Alpha & Bravo

Exhaust Flapper Valves & Water Shutters



Exhaust Flapper Valves		
3"	89240	(OEM: 34765A1) 3 inch Flapper with Clamp
4"	89250	(OEM: 12644A1) 4 inch Flapper with Clamp
5" / 6"	89260	(OEM: N/A) 5 / 6 inch Flapper with Clamp
Water Shutters		
3"	89160	(OEM: 99370A2) 3 inch Water Shutter
4"	89175	(OEM: 807166A1) 4 inch Water Shutter

Exhaust Bellows



U-Joint	89180	(OEM: 816431A1) Alpha One Gen II (1991 & Up) w/ Clamps & Clips
U-Joint w/ Ridge	89050	(OEM: 60932A4) MC-1 / R / MR / Alpha One (1973-1990) w/ Clamps & Clips (No. 89440 Clip Only)
U-Joint w/o Ridge	89040	(OEM: 36223A2) MC-1 (1972 & Before) w/ Clamps & Clips
Universal	89140	(OEM: 86840A3) Bravo w/ Clamps & Sleeve
Shift Cable	89080	(OEM: 74639A2) w/ Clamps & Clips
Exhaust Elbow	89100	(OEM: 18654A1) w/ Clamps & Clips Transom Plate to Bell Housing
Exhaust Tube	89150	(OEM: 78458A1) w/ Clamps & Clips Transom Plate to Bell Housing

Shift Bellow Clamp & SUS 316 Hose Clamps

- 21790** (OEM: 54-866507) for 89080
- 01070** (OEM: 54-815504348) #48
- 01071** (OEM: 912627) #10
- 01056** (OEM: 54-815504348) #56
- 21791** (OEM: 54-815504320) #20
- 01100** (OEM: 54-815504372) #72

Bellow Sleeves & Sleeve Installer



89181	OEM: 816607	Sleeve	Alpha One Gen II
89141	OEM: 862209	Sleeve	Bravo
90470	OEM: 91-818162	Installer	Alpha One Gen II & Bravo

GLM Products, Inc.

Gimbal Bearing - Maintenance Free!

Maintenance Free!



GLM Built in U.S.A.

21906 OEM: 30-879194A01, 30-879194A02, 30-862540A3, 30-60794A4

MC-1 / R / MR / Alpha One / Gen II & Bravo

Tolerance Ring & Gimbal Bearing Seal



21851 OEM: 61075 Tolerance Ring
85910 OEM: 26-88416 Gimbal Bearing Seal

TRANSOM COMPONENT APPLICATION

Model	Year	Serial No. Range	Gimbal Bearing	Bell Hsg. Gasket Set	Bell Hsg. O-ring	Bell Hsg. Rubber Seal	Transom Service Kit	Transom Seal
60 / 80 / 90	1965-1966	1830753-2063740	-	-	-	82300	N/A	-
I	1963	1534570-1684187	-	-	82200	-	N/A	-
IA / IB / IC & EZ Shift	1964-1966	1684188-2065186	-	-	82200	31160	N/A	-
120 / 140	1967-1973	2062141-3780849	-	39590	82200	31160	N/A	-
120 / 140	1974-1977	3780850-4893634	21906	39590	82200	31160	N/A	86712
120 / 140	1978-1982	4893635-6225576	21906	39590	82200	31160	N/A	86712
470 / 485	1976-1982	4208730-6225575	21906	39590	82200	31160	N/A	-
160 / 165	1967-1973	2065190-3780849	-	39590	82200	31160	N/A	-
165	1974-1977	3780850-4890459	21906	39590	82200	31160	N/A	86712
165	1978-1981	4890460 & Up	21906	39590	82200	31160	N/A	-
888	1971-1973	3106717 & Up	-	39590	82200	31160	N/A	86712
888	1974-1977	3106717 & Up	21906	39590	82200	31160	N/A	-
225 / 233	1974-1977	3856268 & Up	21906	39590	82200	31160	N/A	86712
898 / 228	1977-1982	4782330-6225576	21906	39590	82200	31160	N/A	86712
250 / 260	1977-1982	4791300-6225576	21906	39590	82200	31160	N/A	86712
R, MR, Alpha One	1983-1990	6225577 & Up	21906	39622	82200	31160	21950	86712
R, MR, Alpha One	1983-1990	6225577 & Up	21906	39622	82200	31160	21951	86712
Alpha One SS	1986-1989	0A545004 & Up	21906	39622	82200	31160	21950	86712
Alpha One SS	1986-1989	0A545004 & Up	21906	39622	82200	31160	21951	86712
Alpha One Gen II	1991-2002	0D469859 & Up	21906	39622	82200	31160	21960	86711
Bravo I / II / III	1988-2002	0B664190 & Up	21906	39640	81270	N/A	21965	86711
Blackhawk	1994-1995	0F186717 & Up	-	39640	81270	N/A	21965	86711
III	1968-1972	2373127-3002613	-	-	83445	N/A	N/A	-
215E / H	1970-1972	2782203-2915034	-	39600	N/A	N/A	N/A	-
TR / TRS	1973-1993	3377316 & Up	-	39600	N/A	N/A	-	-

BELLOWS APPLICATION

Model	Year	Serial No. Range	Exhaust Bellows / Tube	Shift Cable Bellow	U-Joint Bellows
1 / 1A / 1B / 1C & EZ	1963-1966	1534570-2065186	89100	89080	-
120 / 140 / 160 / 165	1967-1972	2062141-3443920	89100	89080	89040
120 / 140 / 160 / 165	1972-1982	3469428-6225576	89100	89080	89050
888	1971-1972	3106717-3472477	89100	89080	89040
888	1973-1977	3472478 & Up	89100	89080	89050
225 / 233	1974-1977	3856268 & Up	89100	89080	89050
898 / 228 / 250 / 260	1977-1982	4782330-6225576	89100	89080	89050
R / MR / Alpha One	1983-1990	6225577 & Up	89100	89080	89050
R / MR / Alpha One	1983-1990	6225577 & Up	89150	89080	89050
Alpha One Gen II	1991 & Up	0D469859 & Up	89100	89080	89180
Bravo I / II / III	1988 & Up	0B664190 & Up	89100	89080	89140
Bravo I / II / III	1988 & Up	0B664190 & Up	89150	89080	89140
Blackhawk	1994-1995	0F186717 & Up	89100	89080	89140
Blackhawk	1994-1995	0F186717 & Up	89150	89080	89140
II	1962-1969	1474909-2671321	N/A	89080	N.L.A.
215H	1970	2782203-2909034	-	N/A	89040
215E	1970-1972	2909035-2915034	-	89080	89040
TR/TRS	1973-1993	3377316 & Up	-	N/A	89050
TR/TRS	1973-1993	3377316 & Up	-	N/A	89050



GLM Products, Inc.

Shift Cable Kits & Components



- 21450** OEM: 865436A03 Shift Cable Kit R/MR/Alpha One & Gen II w / 39622 Gasket Kit. New Style cable with large core wire. Fits newer MerCruisers that install from Aft end of bell housing

- 21451** OEM: 865436A02 Shift Cable Kit R/MR/Alpha One & Gen II New Style cable with large core wire. Fits newer Mercruisers that install from Aft end of bell housing

- 21453** OEM: 815471T1 Shift Cable Kit Bravo

- 21711** OEM: 815471A6 Shift Cable Kit Bravo

- 21710** OEM: 41951A1 Shift Cable R/MR/Alpha One & Gen II New Style cable with large core wire. Fits newer Mercruisers that install from Aft end of bell housing

- 21462** OEM: 38473 Wrapping For All

- 21470** OEM: N/A Core Wire R/MR/Alpha One & Gen II Large diameter core wire. Fits new style cable w/o tube.

- 21463** OEM: 14705 Insert For All

Shift Lever Kit & Components MC-1 / R / MR / Alpha One & Gen II



- 21144** OEM: 45518T1 Shift Lever Kit

- 87561** OEM: 23-805041A2 Shift Shaft Bushings

- 21140** OEM: 45518A3 Upper Shift Shaft Lever

- 21750** OEM: 10-45590 Set Screw

Motor Mount Kits & Components



- 21813** OEM: N/A Rear Motor Mount Service Kit

- 21045*** OEM: 865330A02 Motor Mount Kit - (Includes 2 ea. Motor Mounts, Spacers, Fibre Washers & Small Washers)

- 19310** OEM: 10-97934 Bolt

- 19320** OEM: 12-35777 Washer

- 19340** OEM: 23-99299 Spacer

- 30020** OEM: 12-32834 Fibre Washer

- 19326** OEM: 12-54012 Washer

- 21050** OEM: 23-99322 Spacer, Stainless Steel

- 19350** OEM: 11-863332 Lock Nut

*Motor Mounts Not Sold Separately. Must order Kit No. 21045.

Shift Shafts



- | Upper Shift Shafts | |
|--------------------------|--|
| 21419 | OEM: 816685 Alpha One Gen II |
| 21420 | OEM: 45589A3 MC-1 / R / MR / Alpha One |
| 21418 | OEM: 12711 Bravo |
| Intermediate Shift Shaft | |
| 21421 | OEM: 62104-1 MC-1 / R / MR / Alpha One |

Shift Shaft Bushing Kits



- 87562** OEM: 23-806036A1 Alpha One Gen II (SN# F094775 & Up)

- 87563** OEM: 23-861209A1 Bravo

- 87561** OEM: 23-805041A2 MC-1/R/MR/Alpha One & Gen II

Shift Cable Slide & Set Screw



- 21080** OEM: 850752-1 Shift Cable Slide w/ Set Screw 21090

- 21090** OEM: 10-31700 Set Screw

Guide Set & Components



- 21430** OEM: 43433 + Guide Set w/ Anchor & Set Screw 43436 + 10-20518

- 21432** OEM: 43436 Anchor

- 21433** OEM: 10-20518 Set Screw

Control Box Lever & Cam



- 21060** OEM: 34682 Control Box Lever

- 21070** OEM: 59369 Control Box Cam

GLM Products, Inc.

TOC

Manifolds-Merc.

Manifolds-OMC

Manifolds-Volvo

Manifolds-Barr

MerCruiser

Merc / Mar / For

OMC / Volvo

Johnson / Evin

Yamaha

Index / X-Ref.

Warranty

Engine Coupler Chevy (1985 & Before) & Ford



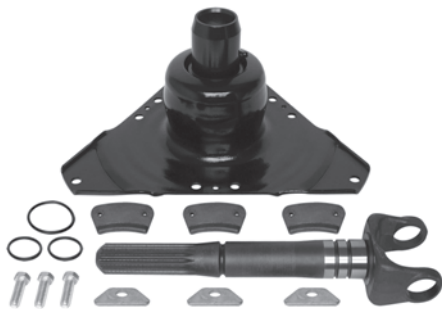
11500 OEM: 76850A2 For older Chevy w/ 2 piece rear main seals.
11510 OEM: 59826A3 For all Ford engines.

Engine Coupler Chevy (1986 & Up)



11520 OEM: 14505A2 For use when a new replacement V6/V8 Chevy with one piece rear main seal is used to replace an older V6/V8 with a 2-piece rear main seal.

Engine Coupler with Yoke V6 & V8 (1983-1993)



11530 OEM: 18643A7 Fits MCM GM V6 & V8, 305/350 CID (1983-1993) & 454 MAG Alpha

Engine Coupler without Yoke V6 & V8 (1993 & Up)



11532 OEM: 18643A5 Fits MCM 3.0L (1999 & Up), GM V6 & V8, 305 / 350 CID (1993 & Up)

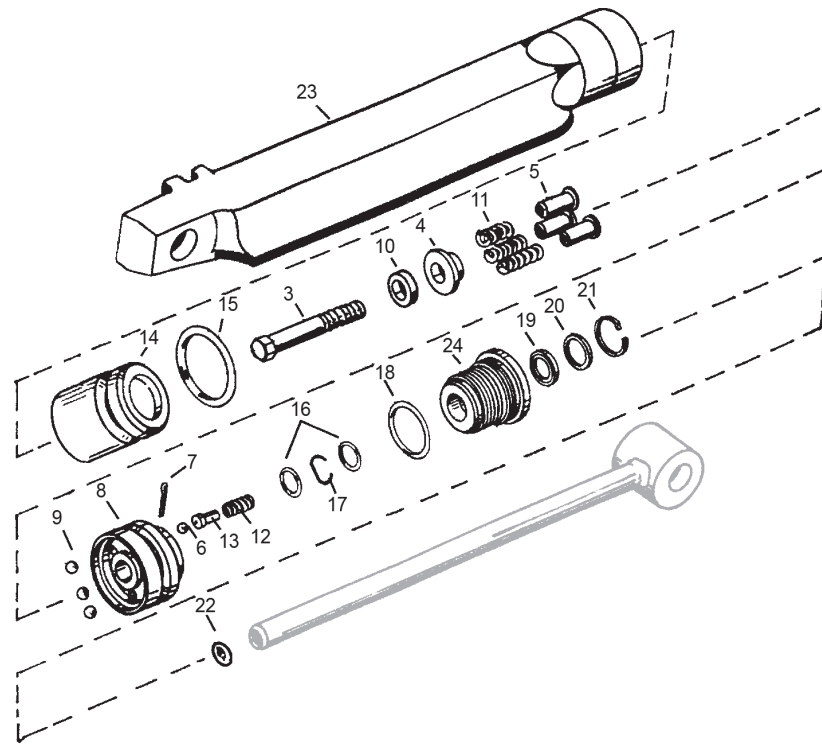
ENGINE COUPLER APPLICATION

Model	Serial No. / Year	Engine Coupler	Model	Serial No. / Year	Engine Coupler
110	1537370-204403	11500	225 & 225 S Ford	3385721 & Up	11510
120	1537370-6229717	11500	228	4765100-6218461	11500
120 (2.5L)	6229718 & Up	11500, 11520	228	6218462 & Up	11500, 11520
140	2508261-6229717 6229718	11500	230 (5.0L)	6218462-B525981	11500, 11520
140 (3.0L)	& Up 1538930	11500, 11520	230 (5.0L)	B525982 & Up	-
3.0L MCM	(1999 & Up)	11532	233 Ford	4173000 & Up	11510
140 (6 CYL.)	1725960	11500	250	4768000-4908849	11500
150	1666495-2048046	11500	260	4908850-6218461	11500
160	2048022-2770031	11500	260 (5.7L)	6218462-B525981	11500, 11520
165 (6 CYL.)	2770032 & Up	11500	260 (5.7L)	B5259812 & Up	-
175 (4.3L)	B5257955 & Up	11530	300 MR	6668677 & Up	11500
185 (229 CD)	6330183 & Up	11500	305 MCM	(1983-1993)	11530
185 (262 CID)	A331455 & Up	11500, 11520	305 MCM	(1999 & Up)	11532
888 Ford (188 HP)	3108723 & Up	11510	320 EFI	A543604 & Up	-
190	1564539 & Up	11500	350 MAG	A635178 & Up	-
898 (198 HP)	4762210 & Up	11500	350 MCM	(1983-1993)	11530
200	6218462 & Up	11500, 11520	350 MCM	(1999 & Up)	11532
205 (262 CID)	A331455-B527954	11500, 11520	454 MAG	A631894 & Up	-
205 (4.3L)	B5257955 & Up	-	454 MAG Alpha	(1983-1993)	11530
225	1539620-2694014	11500			



GLM Products, Inc.

POWER TRIM CYLINDER - ALPHA ONE GEN II



- 1 Overhaul Kit
No. 26580
- 2 Seal Kit
No. 87400
- 25 Aluminum Anode Kit
No. 12703

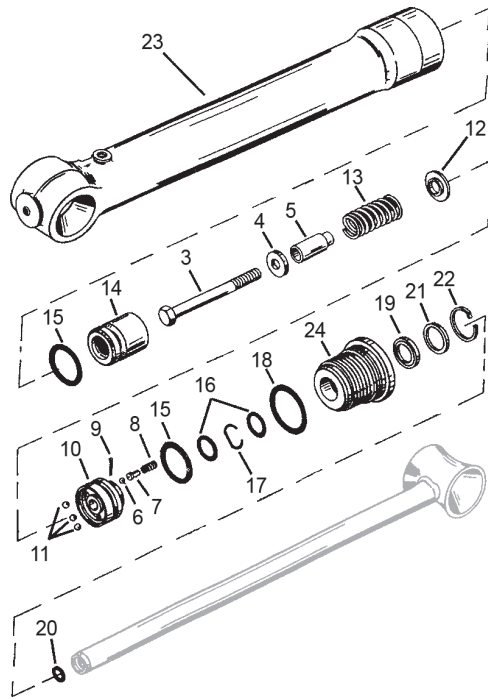
Ref No.	GLM No.	OEM No.	Description
1	26580	87399A3	Overhaul Kit
2	87400	25-87400A2	Seal Kit
3●	-	N.S.S.	Screw
4●	-	N.S.S.	Spring Seat
5●	-	N.S.S.	Valve Seat
6●	-	N.S.S.	Steel Ball
7●	-	N.S.S.	Spring Pin
8●	-	N.S.S.	Shock Piston
9●	-	N.S.S.	Steel Ball
10●	-	N.S.S.	Spacer
11●	-	N.S.S.	Compression Spring
12●	-	N.S.S.	Spring
13●	-	N.S.S.	Eyelet
14●	-	N.S.S.	Floating Piston
15◆	-	N.S.S.	O-ring
16◆	-	N.S.S.	O-ring
17◆	-	N.S.S.	Continuity Ring
18◆	-	N.S.S.	O-ring
19◆	-	N.S.S.	Rod Scraper
20◆	-	N.S.S.	Washer
21◆	-	N.S.S.	Retainer Ring
22◆	-	N.S.S.	O-ring
23	26521	815954T	Cylinder Shell (Starboard)
23	26531	815935T	Cylinder Shell (Port)
24	11610	806191T	End Cap (1.89 O.D.)
25	12703	806189Q1	Aluminum Anode Kit

● Included in Kit No. 26580
◆ Included in Kit No. 87400

TOC
Manifolds-Merc.
Manifolds-OMC
Manifolds-Volvo
Manifolds-Barr
MerCruiser
Merc / Mar / For
OMC / Volvo
Johnson / Evin
Yamaha
Index / X-Ref.
Warranty

GLM Products, Inc.

POWER TRIM CYLINDER - R / MR / ALPHA ONE / BRAVO



(Ref No. 1 thru 20
NOT SOLD
SEPARATELY)

- 1 Overhaul Kit
No. 26380
- 2 Seal Kit
No. 87400
- 25 Aluminum Anode Kit
No. 12672
- 26 Aluminum Anode Kit
No. 12704

Ref No.	GLM No.	OEM No.	Description
1	26380	87399A2	Overhaul Kit
2	87400	25-87400A2	Seal Kit
3*	26381	N.S.S.	Screw
4*	26382	N.S.S.	Washer
5*	26383	N.S.S.	Guide
6*	26384	N.S.S.	Ball (7/64" Dia.)
7*	26385	N.S.S.	Eyelet
8*	26386	N.S.S.	Spring
9*	26387	N.S.S.	Pin
10*	26388	N.S.S.	Shock Piston
11*	26389	N.S.S.	Ball (1/4" Dia.)
12*	26391	N.S.S.	Pusher
13*	26392	N.S.S.	Spring
14	26393	N.S.S.	Floating Piston
15	82189	N.S.S.	O-ring
16*	81169	N.S.S.	O-ring
17*	08110	N.S.S.	Continuity Ring
18*	82239	N.S.S.	O-ring
19*	08742	N.S.S.	Rod Scraper
20*	80139	N.S.S.	O-ring
21*	07400	N.S.S.	Washer
22*	08743	N.S.S.	Retaining Ring
23*	26401	98704T	Cylinder Shell (Starboard) R / MR / Alpha One
23	26411	98703T	Cylinder Shell (Port) R / MR / Alpha One
23	26501	14034	Cylinder Shell (Starboard) R / MR / Alpha One
23	26511	14035	Cylinder Shell (Port) R / MR / Alpha One
23	26402	98704T	Cylinder Shell (Starboard) Bravo
23	26412	98703T	Cylinder Shell (Port) Bravo
24	11610	806191T	End Cap (1.89 O.D)
24	11620	88035	End Cap (2.08 O.D)
25	12672	N/A	Aluminum Anode Kit - Alpha
26	12704	806190Q1	Aluminum Anode Kit - Bravo

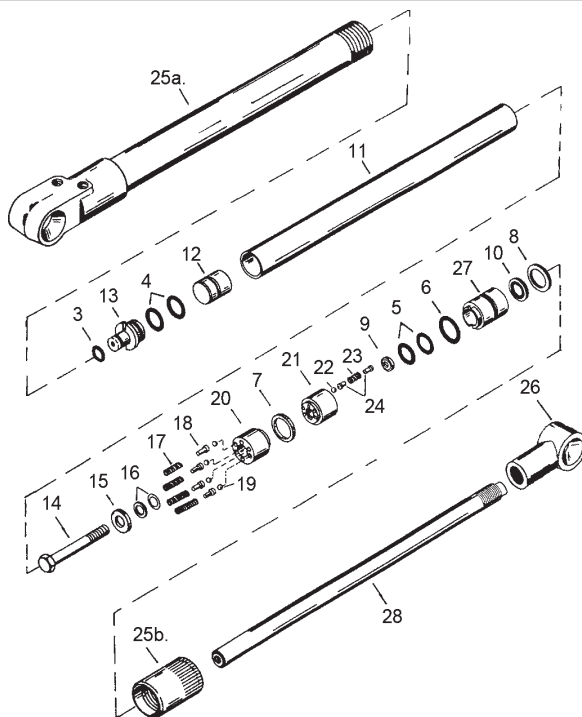
* Included in Kit No. 26380

♦ Included in Kit No. 87400



GLM Products, Inc.

POWER TRIM CYLINDER - MC-1 (1970-1980)



- 1 Overhaul Kit
No. 87412
- 2 O-ring Kit
No. 87410
- 25 Cylinder Housing Kit
No. 21930

Ref No.	GLM No.	OEM No.	Description
1	87412	45522A3	Overhaul Kit
2	87410	25-60342A2	O-ring Kit
3♦♦	81109	-	O-ring
4♦♦	82109	-	O-ring
5♦♦	81169	-	O-ring
6♦♦	82129	-	O-ring
7♦♦	41170	-	Quad Ring
8♦♦	07400	-	Washer
9♦♦	21677	-	Sealing Washer
10♦♦	41172	-	Rod Scraper
11♦♦	87411	-	Inner Tube
12	02191	-	Floating Piston
13	02192	-	Tube Guide
14•	22354	-	Bolt
15•	21668	-	Plain Washer
16•	02195	-	Shim Washer
17•	02196	-	Springs
18•	02197	-	Guide
19•	26384	-	Steel Ball
20•	02199	-	Shock Piston (Impact)
21•	02190	-	Shock Piston (Return)
22•	26384	-	Steel Ball
23•	26386	-	Spring
24•	02187	-	Guide
25	21930	77442A1	Cylinder Housing Kit
25a.+	-	-	Cylinder Housing
25b.+	-	-	End Cap
26	21981	45522T	Pivot End
27	21940	45726	Bearing
28	21984	-	Rod

♦ Included in Kit No. 87412
♦♦ Included in Kit No. 87410
+ Included in Kit No. 21930

TOC
Manifolds-Merc.
Manifolds-OMC
Manifolds-Volvo
Manifolds-Barr
MerCruiser
Merc / Mar / For
OMC / Volvo
Johnson / Evin
Yamaha
Index / X-Ref.
Warranty

TOC

Manifolds-Merc.

Manifolds-OMC

Manifolds-Volvo

Manifolds-Bar

MerCruiser

Merc / Mar / For

OMC / Volvo

Johnson / Evin

Yamaha

Index / X-Ref.

Warranty

Power Trim Cylinders



26530	OEM: 815935A7	Port	Alpha One Gen II
26520	OEM: 815954A7	Starboard	Alpha One Gen II
26410	OEM: 98703A3	Port	R / MR / Alpha One
26400	OEM: 98704A3	Starboard	R / MR / Alpha One (Trim Cylinder Tube Legnth: 15-9/16")
26510	OEM: 14035A3	Port	R / MR / Alpha One
26500	OEM: 14034A3	Starboard	R / MR / Alpha One (Trim Cylinder Tube Legnth: 16-3/16")
26470	OEM: 98703A26	Port	Bravo
26460	OEM: 98704A26	Starboard	Bravo
21980	OEM: 45706A14	1967-1982	MC-1

Power Trim Cylinder Overhaul, O-ring & Seal Kits



Power Trim Overhaul Kits

26580	OEM: 87399A3	1991 & Up	Alpha One Gen II
26380	OEM: 87399A2	1993 & Up	All Except Alpha One Gen II
87412	OEM: 4522A3	1970-1980	MC-1

Power Trim Seal Kit

87400	OEM: 25-87400A2	R / MR / Alpha One & Gen II / Bravo
--------------	-----------------	-------------------------------------

O-ring Kits

87410	OEM: 25-60342A2	Power Trim	MC-1
87413	OEM: N/A	Trim Pump	MC-1 (Square Pump)

Power Trim Cylinder Shells & End Caps



Cylinder Shells

26531	OEM: 815935T	Port	Alpha One Gen II
26521	OEM: 815954T	Starboard	Alpha One Gen II
26411	OEM: 98703T	Port	R / MR / Alpha One
26401	OEM: 98704T	Starboard	R / MR / Alpha One 1983 & Up
26511	OEM: 14035	Port	R / MR / Alpha One
26501	OEM: 14034	Starboard	R / MR / Alpha One 1983 & Up
26412	OEM: 98703T	Port	Bravo
26402	OEM: 98704T	Starboard	Bravo

End Caps & Pivot End

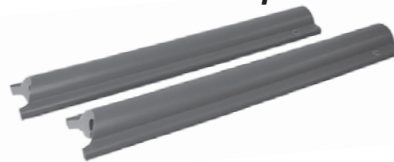
11610	OEM: 806191T	1.890"	Alpha One Gen II
11620	OEM: 88035	2.080"	Alpha One / Bravo
21981	OEM: 45522T	Pivot End	R/MR/Alpha One/Bravo

Power Trim Cylinder Service Kit & Housing Kit for MC-1 (1970-1980)



21990	OEM: N/A	Service Kit	MC-1
21930	OEM: 77442A1	Housing Kit	MC-1

Trailer Clips



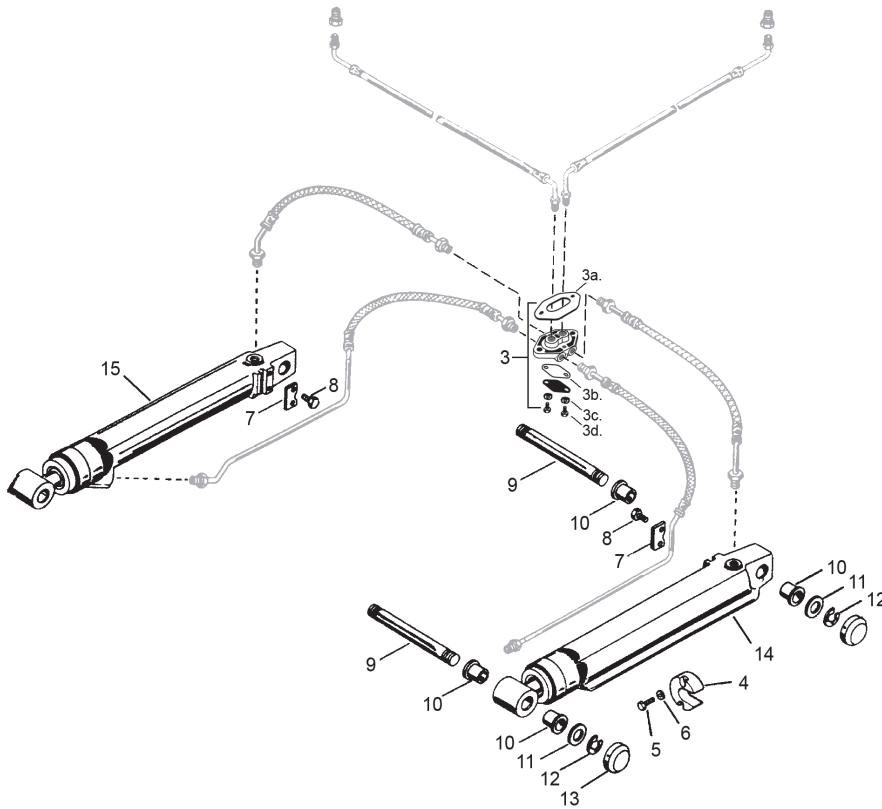
90070	OEM: 817019Q2
--------------	---------------

POWER TRIM CYLINDER APPLICATION

Model	Year	Serial No. Range	Trim Cyl. O-ring Kit	Trim Cylinder Port	Trim Cylinder Stbd.	Trim Cyl. Outer Hsg. Port	Trim Cyl. Outer Hsg. Stbd.
120 / 140	1970-1982	6225576	87410	21980	21980	21930	21930
470 / 485	1976-1982	4208730-6225575	87410	21980	21980	21930	21930
165	1970-1981	2763442-4890459	87410	21980	21980	21930	21930
888 / 225 / 233	1971-1977	3106717 & Up	87410	21980	21980	21930	21930
898 / 228 / 250 / 260	1977-1982	4782330-6225576	87410	21980	21980	21930	21930
R / MR / Alpha One	1983-1990	6225577 & Up	87400	26410	26400	26411	26401
R / MR / Alpha One	1983-1990	6225577 & Up	87400	26510	26500	26511	26501
Alpha One Gen II	1991 & Up	0D469859 & Up	87400	26530	26520	26531	26521
Bravo	1988-1995	0B664190-0F345867	87400	26470	26460	26411	26401

GLM Products, Inc.

TRIM CYLINDERS & HYDRAULIC HOSES - ALPHA ONE GEN II

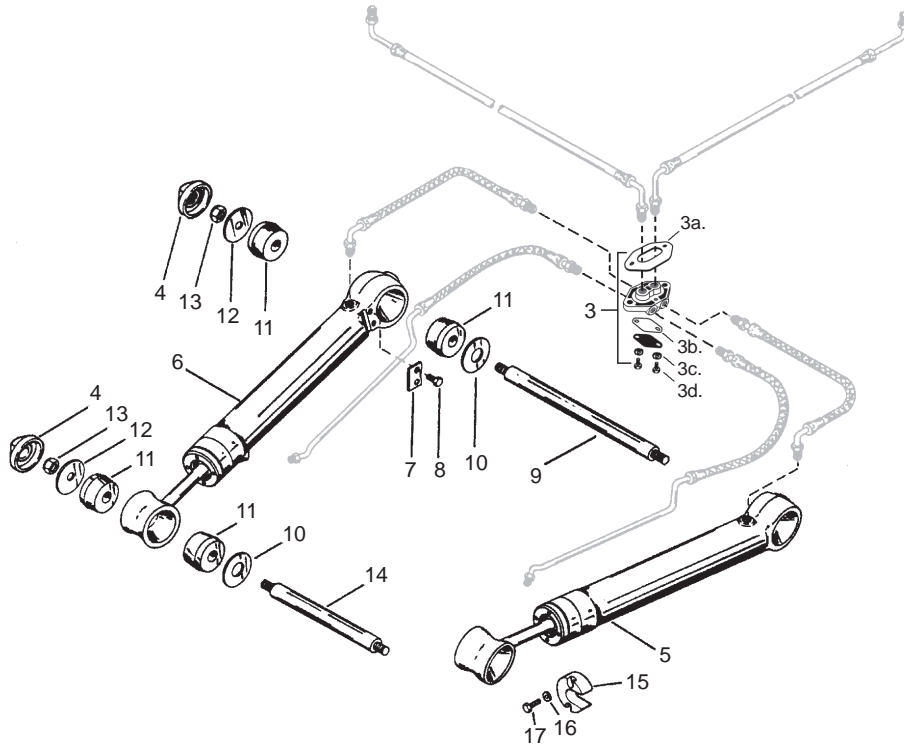


- 1 — Bushing Kit
No. 21425
- 2 — Seal Kit
No. 87400
- 16 — Aluminum Anode Kit
No. 12672
- 17 — Trailer Clips
No. 90070

Ref No.	GLM No.	OEM No.	Description
1	21425	17-8M0065070	Bushing Kit
2	87400	25-87400A2	Seal Kit
3	21970	98825A4	Trim Connector Kit
3a.+	32500	27-98823-1	Gasket (1983 & Up)
3b.+	32160	27-99506-1	Gasket, Cover
3c.+	05009	13-78968	Lockwasher
3d.+	22440	10-28668	Screw
4	12703	806189A1	Anode Assembly
5	12832	10-806290	Screw
6	21491	13-69432	Washer
7♦	26390	85060	Plate
8♦	22306	10-85486	Screw
9♦	21424	17-815953	Anchor Pin
10	26350	23-815950	Bushing
11	21672	12-815952	Washer
12♦	21771	53-815949	E-ring
13♦	26490	19-815951	Cap
14♦	26520	815954A7	Trim Cylinder Assy. (Starboard)
15♦	26530	915935A7	Trim Cylinder Assy. (Port)
16	12672	N/A	Aluminum Anode Kit
17	90070	817019Q2	Trailer Clips
+ Included in Kit No. 21970			
♦ Included in Kit No. 21425			
♦ Included in Kit No. 12672			

GLM Products, Inc.

TRIM CYLINDERS & HYDRAULIC HOSES - R / MR / ALPHA ONE (1983-1990)



- 1 - T.R. Bushing Kit - Front
No. 21370
- 2 - T.R. Bushing Kit - Rear
No. 21380
- 18 - Aluminum Anode Kit
No. 12672
- 19 - Trailer Clips
No. 90070

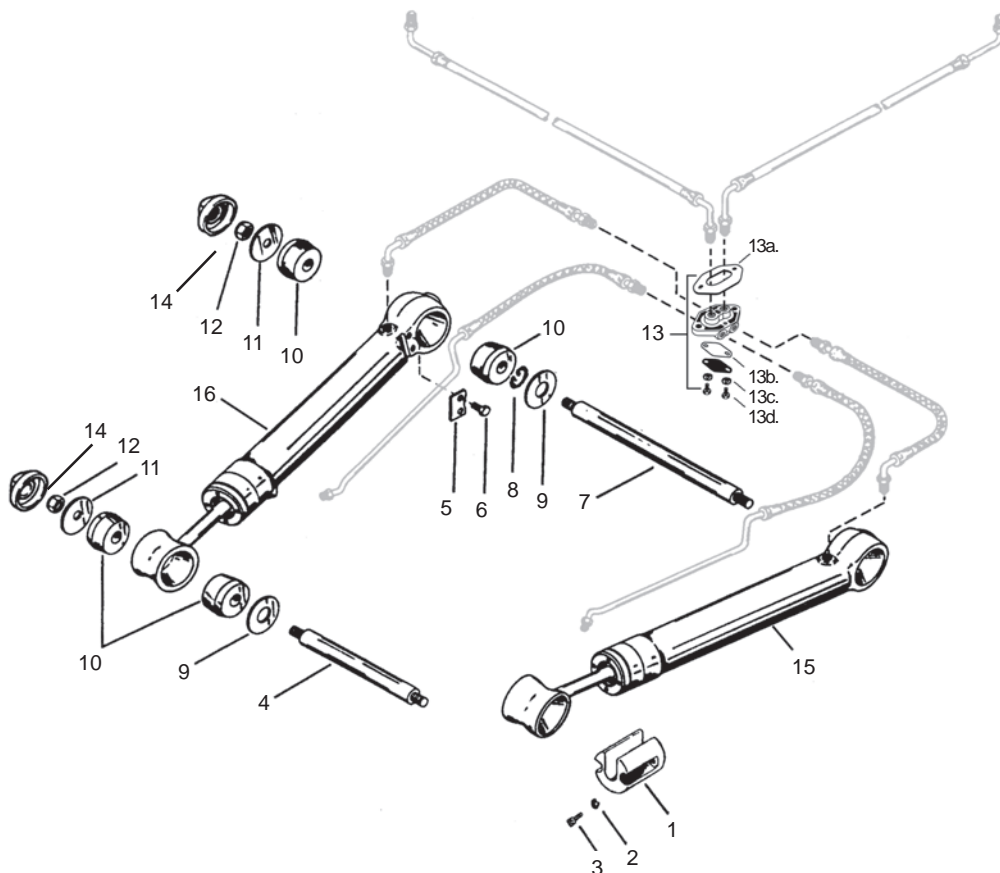
Ref No.	GLM No.	OEM No.	Description
1	21370	17-14873A1	Trim Ram Bushing Kit (Front)
2	21380	17-14872A1	Trim Ram Bushing Kit (Rear)
3	21970	98825A4	Trim Connector Kit
3a.-	32500	27-98823-1	Gasket
3b.-	32160	27-99506-1	Gasket, Cover
3c.-	05009	13-78968	Lockwasher
3d.-	22440	10-28668	Screw
4 ●◆	26480	19-14842	Cap
5	26400	98704A3	Trim Cylinder (Starboard)
6	26410	98703A3	Trim Cylinder (Port)
5	26500	14034A3	Trim Cylinder (Starboard)
6	26510	14035A3	Trim Cylinder (Port)
7	26390	85060	Plate
8	22306	10-85486	Screw
9 ●	21410	N/A	Front Anchor Pin
10 ●◆	21660	12-85058	Washer
11 ●◆	26330	23-99291	Bushing
12 ●◆	21670	12-44163	Washer
13 ●◆	21170	11-859116	Lock Nut
14 ◆	21400	N/A	Rear Anchor Pin
15+	12703	806189A1	Anode Assembly
16+	21491	13-69432	Washer
17+	12832	10-806290	Screw
18	12672	N/A	Aluminum Anode Kit
19	90070	817019Q2	Trailer Clips
- Included in Kit No. 21970			
● Included in Kit No. 21370			
◆ Included in Kit No. 21380			
+ Included in Kit No. 12672			



TOC
Manifolds-Merc.
Manifolds-OMC
Manifolds-Volvo
Manifolds-Barr
MerCruiser
Merc / Mar / For
OMC / Volvo
Johnson / Evin
Yamaha
Index / X-Ref.
Warranty

GLM Products, Inc.

TRIM CYLINDERS & HYDRAULIC HOSES - BRAVO



- 17 Seal Kit
No. 87400
- 18 Trailer Clips
No. 90070

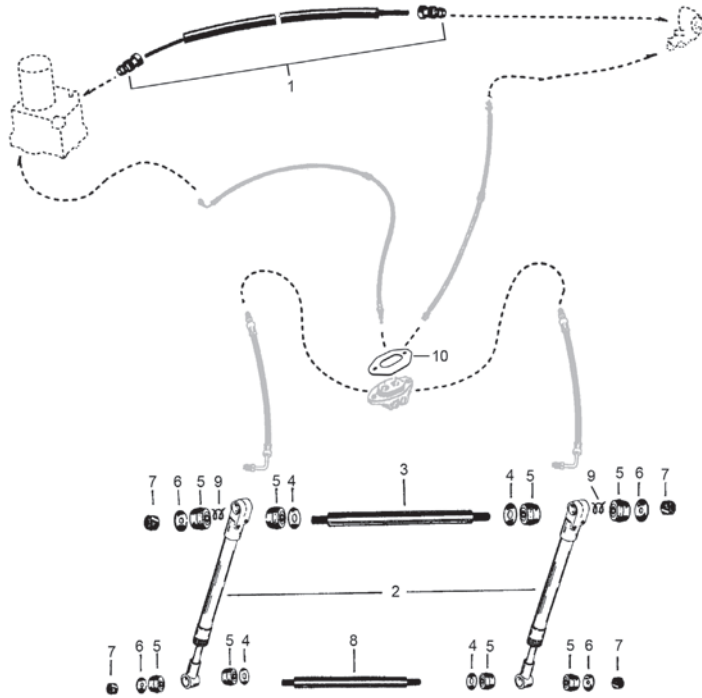
Ref No.	GLM No.	OEM No.	Description
1	12704	806190A1	Anode Assembly
2	21491	13-69432	Lockwasher
3	12832	10-806290	Screw
4	21480	17-44166	Rear Anchor Pin
5	26390	85060	Plate
6	22306	10-85486	Screw
7	21481	17-44167A1	Front Anchor Pin
8	21770	53-805272	Retaining Ring
9	21671	12-44164	Washer
10	26340	23-807073	Bushing
11	21670	12-44163	Washer
12	21170	11-859116	Lock Nut
13	21970	98825A4	Trim Connector Kit
13a.+	32500	27-98823-1	Gasket
13b.+	32160	27-99506-1	Gasket, Cover
13c.+	05009	13-78968	Lockwasher
13d.+	22440	10-28668	Screw
14	26480	19-14842	Cap
15	26460	98704A26	Trim Cylinder Assy. (Starboard)
16	26470	98703A26	Trim Cylinder Assy. (Port)
17	87400	25-87400A2	Seal Kit
18	90070	817019Q2	Trailer Clips

+ Included in Kit No. 21970

TOC
Manifolds-Merc.
Manifolds-OMC
Manifolds-Volvo
Manifolds-Barr
MerCruiser
Merc / Mar / For
OMC / Volvo
Johnson / Evin
Yamaha
Index / X-Ref.
Warranty

GLM Products, Inc.

TRIM CYLINDERS & HYDRAULIC HOSES - MC-1 (1979-1980)



11 — Trailer Clips
No. 90070

Ref No.	GLM No.	OEM No.	Description
1	26220	32-58432A2	Trim Hose Assembly
2	21980	45706A14	Trim Cylinder
3	21130	17-45735	Front Anchor Pin
4	21640	12-45737	Washer
5	26310	23-89574	Bushing
6	21650	12-46765	Washer
7	21160	11-826710-13	Lock Nut
8	21100	17-45738	Rear Anchor Pin
9	21982	24-46312	Spring
10	31470	27-476441	Gasket (1970-1982)
11	90070	817019Q2	Trailer Clips

Trim Connector Kit & Components MC-1 / R / MR / Alpha One & Gen II / Bravo



21970	OEM: 98825A4	Trim Connector Kit	1983 & Up
32500	OEM: 27-98823-1	Gasket - Hydraulic	1983 & Up
31470	OEM: 27-47644-1	Gasket - Hyd. (MC-1)	1970-1982
32160	OEM: 27-99506-1	Gasket - Connector Cvr	1983 & Up
22440	OEM: 10-28668	Screw	1983 & Up
05009	OEM: 13-78968	Lockwasher	1983 & Up

Trim Hose Assembly Pump to Rev. Lock Valve (1967-1982)



26220	OEM: 32-58432A2	Trim Hose Assembly
06210	OEM: N/A	Rubber Hose
06220	OEM: N/A	Trim Hose
26230	OEM: 22-49718	Nut

GLM Products, Inc.

P. T. Ram Bushing Kits & Components Alpha One Gen II



21425	OEM: 56-864641A24	P.T. Ram Bushing Kit - w/pin
26360	OEM: N/A	P.T. Ram Bushing Kit - w/out pin
21424	OEM: 17-815953A01	Anchor Pin (10-11/16" Length)
21672	OEM: 12-815952	Washer
26490	OEM: 19-815951	Cap
26350	OEM: 23-815950-1	Bushing
21771	OEM: 53-815949	E-ring

P. T. Ram Bushing Kits & Components R / MR / Alpha One (1983-1990)



21380	OEM: 17-14872A1	P.T. Ram Bushing Kit -Rear
21370	OEM: 17-14873A1	P.T. Ram Bushing Kit - Front
21400	OEM: 17-14872A1	Rear Anchor Pin (9-1/8" Length)
21410	OEM: 17-14873A1	Front Anchor Pin (11-13/16" Length)
21660	OEM: 12-85058	St. Stl. Washer - Inner
21670	OEM: 12-44163	St. Stl. Washer - Outer
21170	OEM: 11-859116	St. Stl. Locknut (7/16-20)
26330	OEM: 23-99291T	Bushing (Large)
26320	OEM: 23-90203	Bushing (Merc II TR & TRS)

P. T. Ram Bushing Kits & Components Bravo



21910	OEM: 17-44166T1	P.T. Ram Bushing Kit - Rear
21920	OEM: N/A	P.T. Ram Bushing Kit - Front
21480	OEM: 17-44166	Rear Anchor Pin (9" Length)
21481	OEM: 17-44167A1	Front Anchor Pin (12" Length)
21671	OEM: 12-44164	St. Stl. Washer - Inner
21670	OEM: 12-44163	St. Stl. Washer - Outer
21170	OEM: 11-859116	St. Stl. Locknut (7/16-20)
26340	OEM: 23-807073	Bushing
21770	OEM: 53-805272	Retaining Ring
26480	OEM: 19-14842	Cap

P. T. Ram Bushing Kits & Components MC-1, Model 120-260, (1970-1982)



21390	OEM: N/A	P.T. Ram Bushing Kit - Rear
21310	OEM: N/A	P.T. Ram Bushing Kit - Front
21100	OEM: 17-45738	Rear Anchor Pin (7-1/2" Length)
21130	OEM: 17-45735	Front Anchor Pin (10-11/32" Length)
21640	OEM: 12-45737	St. Stl. Washer - Inner
21650	OEM: 12-46765	St. Stl. Washer - Outer
21160	OEM: 11-13437-1, 11-34932	St. Stl. Locknut (3/8-24)
26310	OEM: 23-89574	Bushing

POWER TRIM RAM BUSHINGS, PINS & KITS APPLICATION

Model	Year	Serial No. Range	Anchor Pin Front	Anchor Pin Rear	Front Anchor Pin Kit	Rear Anchor Pin Kit	Trim Cylinder Bushings
120 / 140	1970-1982	2791957-6225576	21130	21100	21310	21390	26310
470 / 485	1978-1977	4208730-6225575	21130	21100	21310	21390	26310
165	1970-1981	2763442 & Up	21130	21100	21310	21390	26310
888 / 225 / 233	1971-1977	3106717 & Up	21130	21100	21310	21390	26310
898 / 228 / 250 / 260	1977-1982	4782330-6225576	21130	21100	21310	21390	26310
R / MR / Alpha One	1983-1990	6225577 & Up	-	-	21370	21380	26330
Alpha One Gen II	1991 & Up	0D469859 & Up	21424	21424	21425	21425	26350
Bravo	1988 & Up	0B664190 & Up	21481	21480	21920	21910	26340
TR / TRS	1970-1982	3377316 & Up	N/A	N/A	-	-	26320

TOC
Manifolds-Merc.
Manifolds-OMC
Manifolds-Volvo
Manifolds-Barr
MerCruiser
Merc / Mar / For
OMC / Volvo
Johnson / Evin
Yamaha
Index / X-Ref.
Warranty

TOC

Manifolds-Merc.

Manifolds-OMC

Manifolds-Volvo

Manifolds-Bar

MerCruiser

Merc / Mar / For

OMC / Volvo

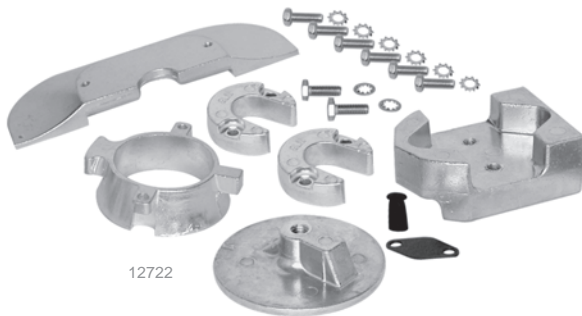
Johnson / Evin

Yamaha

Index / X-Ref.

Warranty

Aluminum Anode Kits



- 12724** OEM: 888758Q01 Anode Kit Bravo I
- 12726** OEM: 888761Q01 Anode Kit Bravo II (1988 & Up)
- 12726** OEM: 888761Q01 Anode Kit Bravo III (1995-2002)
- 12891** OEM: 888761Q02 Anode Kit Bravo III (2003 & Up)
- 12754** OEM: 888756Q02 Anode Kit MR / Alpha One (1984-1990)
- 12722** OEM: 888756Q01 Anode Kit Alpha One Gen II
- 12672** OEM: N/A Anode Kit MR / Alpha One (1984-1990)
Mounts on Trim Cylinder. GLM Design!

Prop Nut Aluminum Anode Kits

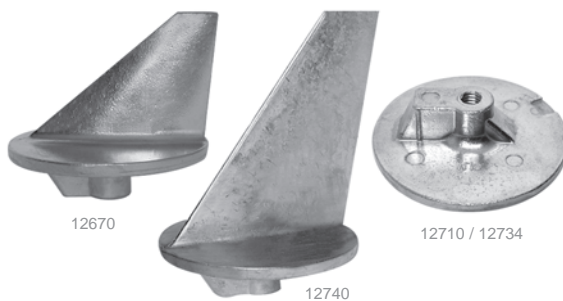


- 12727** OEM: 809658A1 Shaft Size: 3/4 Thread Size: 1/2 NC 13
- 12706** OEM: 809660A1 Shaft Size: 7/8 Thread Size: 5/8 NC 11
- 12717** OEM: 809662A1 Shaft Size: 1 Thread Size: 3/4 NC 10
- 12718** OEM: 809664A1 Shaft Size: 1-1/8 Thread Size: 3/4 NF 16
- 12708** OEM: 809666A1 Shaft Size: 1-1/4 Thread Size: 7/8 NC 9
- 12729** OEM: 809668A1 Shaft Size: 1-1/4 Thread Size: 7/8 NF 14

Replacement Prop Nut Anodes Only

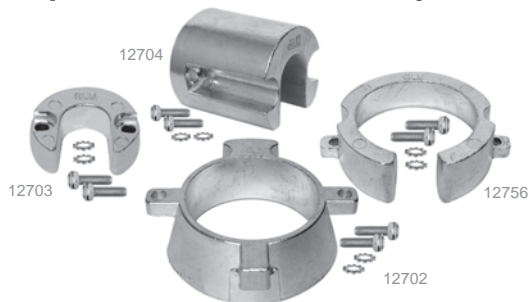
- 12728** OEM: 809658 For Kit 12727 \varnothing 1-1/4" x 1-1/2" L
- 12705** OEM: 809660 For Kit 12706 \varnothing 1-5/8" x 2" L
- 12707** OEM: 809662T For Kit 12717/18 \varnothing 2" x 2-5/8" L
- 12758** OEM: 809666T For Kit 12708/29 \varnothing 2-5/16" x 3" L
- 12765** OEM: 865182A01 For Kit 12891 \varnothing 2-1/8" x 2-3/8" L

**Aluminum Anodes
Trim Tabs for D.S. Housing**



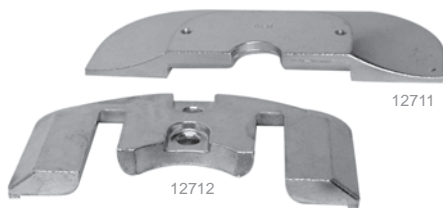
- 12670** OEM: 31640Q4 R / MR / Alpha One Trim Tab
- 12710** OEM: 76214Q5 Alpha One Gen II & All Bravo
Mounts in place of Trim Tab
- 12734** OEM: 76214-4 Bravo III (2003 & Up)
Mounts in place of Trim Tab
- 12740** OEM: 34127T2 Long Length Trim Tab

**Aluminum Anodes
Prop Shaft Carrier & Trim Cylinders**



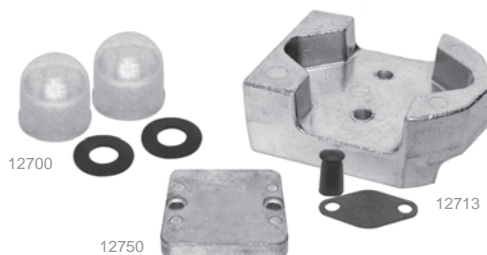
- 12702** OEM: 806105Q1 Alpha One Gen II
Mounts on Prop Shaft Carrier
- 12756** OEM: 806188A1 Bravo
Mounts on Prop Shaft Carrier
- 12703** OEM: 806189Q1 Alpha One Gen II
Mounts on Trim Cylinder
- 12704** OEM: 806190Q1 Bravo & Blackhawk
Mounts on Trim Cylinder

**Aluminum Anodes
(Upper) Drive Shaft Housing**



- 12711** OEM: 821629Q1 Alpha One Gen II
- 12712** OEM: 821630Q1 All Bravo

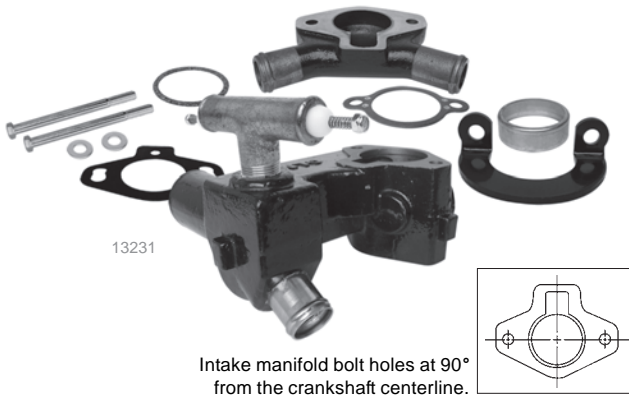
**Aluminum Anodes
Transom & Gimbal Housing**



- 12700** OEM: 55989Q9 Mounts on Transom
- 12713** OEM: 821631Q1 Mounts on Transom
- 12750** OEM: 34762A1 Anodic Plate

GLM Products, Inc.

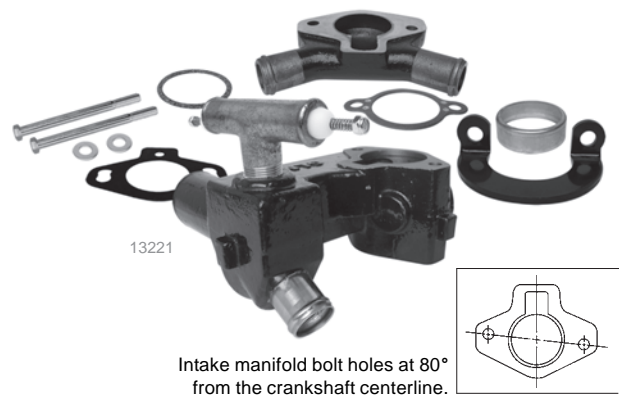
Thermostat Housing Kit & Components V6 & V8 GM 305/350 CID



Intake manifold bolt holes at 90° from the crankshaft centerline.

13231	OEM: 87290A23	Thermostat Housing Kit
13230	OEM: 87290A4	Thermostat Housing Assembly
13236	OEM: 22-98477A2	T-Valve Assy. (Included in 13230)
13220	OEM: 47441A1	Thermostat Cover
13237	OEM: 12552	Lifting Eye
31460	OEM: 27-47510	Gasket
13250	OEM: 23-47508	Thermostat Sleeve
31631	OEM: 27-41812-2	Thermostat Cover Gasket
31560	OEM: 27-53045-1	Gasket
22376	OEM: 10-14164	Screw (2)
21675	OEM: 12-20553	Washer (2)

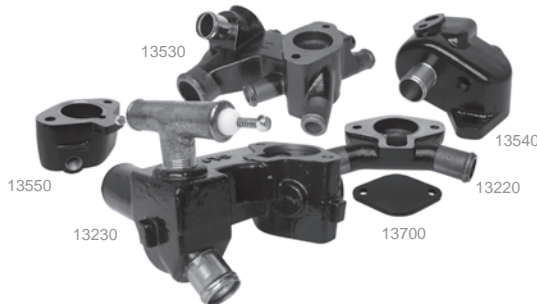
Thermostat Housing Kit & Components V8 GM 454/502 CID



Intake manifold bolt holes at 80° from the crankshaft centerline.

13221	OEM: 90736A24	Thermostat Housing Kit
13520	OEM: 90736A18	Thermostat Housing Assembly
13236	OEM: 22-98477A2	T-Valve Assy. (Included in 13520)
13710	OEM: 47442A1	Thermostat Cover
13237	OEM: 12552	Lifting Eye
31460	OEM: 27-47510	Gasket
13250	OEM: 23-47508	Thermostat Sleeve
31631	OEM: 27-41812-2	Thermostat Cover Gasket
31560	OEM: 27-53045-1	Gasket
22376	OEM: 10-14164	Screw (2)
21675	OEM: 12-20553	Washer (2)

Thermostat Housing & Covers



Thermostat Housing		
13230	OEM: 87290A4	V6/V8 GM 305/350 CID
13520	OEM: 90736A18	V8 GM 454/502 CID
13530	OEM: 78984A1	MC-1 w/ GM 305/350 (1977-1982)
13540	OEM: 861188A1	For closed cooling models
13550	OEM: 55131A5	For closed cooling models
Thermostat Covers		
13220	OEM: 47441A1	V6/V8 GM 305/350 CID
13710	OEM: 47442A1	V8 GM 454/502 CID
13700	OEM: 17494A1	See applications

Lifting Eye for Thermostat Housing



13237 OEM: 12552 For Thermostat Housing

T-Valve Assembly, Check Ball Kit & Components - R / MR / Alpha One



13236	OEM: 22-98477A2	T-Valve Assy. w/ Check Ball Kit
13232	OEM: N/A	Check Ball Kit (w/o T-Valve)
13234	OEM: 10-98476	Check Ball Screw (1983-1990)
13233	OEM: 30-98475	Check Ball
13235	OEM: 24-75533	Check Ball Spring
21163	OEM: 11-29488	Locknut

Thermostat Sleeve, Washer & Screw



13250	OEM: 23-47508T	Thermostat Sleeve
21675	OEM: 12-20553	Washer (T. Housing)
22376	OEM: 10-14164	Screw (T. Housing)

GLM Products, Inc.

Thermostat Kits 140° & 160°



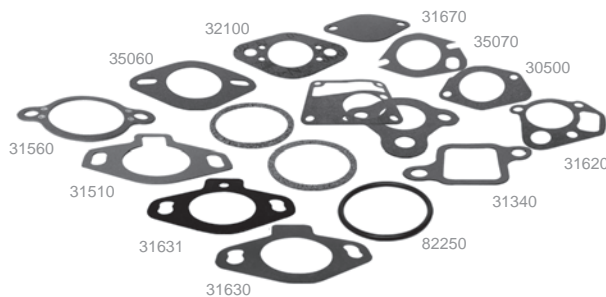
13370	OEM: 59078Q3	140°	4 & 6-Cyl. Inline Chevy
13380	OEM: 807252Q3	140°	V8 Chevy
13390	OEM: 807252Q4	140°	V6 & V8 Chevy
13101	OEM: 807252Q5	160°	V6 & V8 Chevy Late Models w/ 160°
13420	OEM: 99155T2	160°	Merc Built 4-Cyl. Except 470 (1976-1982)
13421	OEM: 99155T1	160°	V6 & V8 Chevy with Closed Cooling (1988 & Up)

Thermostats 140° & 160°



13020	OEM: 59078	140°	4 & 6-Cyl. Inline Chevy
13030	OEM: 807252T1	140°	V6 Chevy & V8 Chevy/Ford
13100	OEM: 807252T2	160°	V6 & V8 Chevy
13040	OEM: 99155A1	160°	Merc Built 4-Cyl. non-(Chevy) Except 470 (1976-1982)

Thermostat Gaskets & O-ring



31630	OEM: 27-41812	Bypass Gasket - Closed
31631	OEM: 27-41812-2	Bypass Gasket - Restricted
31510	OEM: 27-48818-1	Bypass Gasket - Open
31560	OEM: 27-53045-1	Thermo Housing to Intake Manifold
35060	OEM: 27-8M2021920	Thermo Housing to Intake Manifold
31340	OEM: 27-814680	Thermo Housing to Cylinder Head 4 & 6-Cyl. Inline Chevy
31430	OEM: 27-47590-1	Bypass Gasket 4 & 6-Cyl. Inline Chevy
31840	OEM: 27-74830	MerCruiser 470 (1976-1982)
32100	OEM: 27-89656-1	MerCruiser Built Engines
31620	OEM: 27-60208	Bypass Gasket - Ford 302/351
30500	OEM: 27-54505	Thermo Housing to Intake Manifold Ford 302/351
35070	OEM: 27-54506	Thermo Housing to Intake Manifold Ford 302/351
31670	OEM: 27-33179-2	Thermo Housing Top Cover Gasket
32700	OEM: 27-806871	Gasket (Fits under Thermostat)
31460	OEM: 27-47510	Gasket (Fits under Thermostat)
82250	OEM: 25-30224	O-ring (Fits under Thermostat)

THERMOSTAT KIT & COMPONENTS APPLICATION

Model	Year	Serial No. Range	Thermostat Housing	Thermostat Cover	Thermostat & Gasket Kit	Thermostat	Gasket Req'd
60	1965-1968	187079-2049044	N.L.A.	N.L.A.	N/A	13030	-
80	1966-1969	2049045-2851423	N.L.A.	N.L.A.	N/A	13030	-
90	1970-1972	2851424-3226957	N.L.A.	N.L.A.	N/A	13080	31430
110 GM	1963-1966	1537370-2044033	N.L.A.	N.L.A.	N/A	13030	-
120 GM	1964-1972	1666601-3377340	N.L.A.	N.L.A.	N/A	13030	-
120 GM	1964-1967	1725593-2046624	N.L.A.	N.L.A.	N/A	13030	-
120 GM	1964-1967	2046625-2324346	N.L.A.	N.L.A.	N/A	13030	-
120 GM	1964-1967	2324347-3377340	-	-	13370	13020	31430
120 / 2.5L GM	1972-1989	3377341-0C853255	-	-	13370	13020	31430
140 / 3.0L GM	1968-1989	2508261-0C856558	-	-	13370	13020	31430
3.0L / LX GM	1990-1998	0C856559 & Up	-	-	13370	13020	31430
165 / 170 / 3.7L Merc	1985-1989	6916779 & Up	N/A	-	13420	13040	32100
165 / 170 / 3.7L Merc	1985-1989	6916779 & Up	N/A	-	13420	13040	32100
180 / 190 / 3.7LX Merc MCM	1985-1989	6916779 & Up	N/A	-	13420	13040	32100
470 Merc MCM / M IE	1976-1982	4208730-6218036	-	N/A	-	-	31840
470 Merc MCM / M IE	1983-1984	6218037-6916778	N/A	-	13420	13040	32100
485 Merc	1980-1982	5685394-6218036	N/A	-	-	-	32100

GLM Products, Inc.

THERMOSTAT KIT & COMPONENTS APPLICATION

Model	Year	Serial No. Range	Thermostat Housing	Thermostat Cover	Thermostat & Gasket Kit	Thermostat	Gasket Req'd
485 Merc	1983-1984	6170297-6916778	N/A	-	13420	13040	32100
140 GM (6-Cyl.)	1963 & Up	1538930-1725960	N.L.A.	N.L.A.	N/A	13030	-
150 GM	1964-1966	1666495-2048046	N.L.A.	N.L.A.	N/A	13030	-
160 GM	1967-1969	2048022-2770031	N.L.A.	N.L.A.	N/A	13030	-
160 GM	1967 & Up	2048022-2233574	N.L.A.	N.L.A.	N/A	13030	-
160 GM	1968-1969	2326096-2770031	-	-	N/A	13080	31430
165 GM	1970-1981	2770032-5813433	-	-	13370	13020	31430
200 GM (6-Cyl.)	1969 & Up	2453769-2712072	-	-	N/A	13080	31430
185 GM (229)	1983-1984	6330183-6919655	-	13710	13390	13030	31630 / 31460 / 31560
175 / 4.3L GM	1987-1993	0B527955-0F000877	13230	13220	13390	13030	31630 / 31460 / 31560
175 / 4.3L GM	1987-1993	0B527955-0F000877	13231	13700	13390	13030	82250 / 31670 / 31560
185 GM (262)	1985-1987	0A331455-0B527954	13230	13220	13390	13030	31630 / 31460 / 31560
205 GM	1985-1987	0A331455-0B527954	13230	13220	13390	13030	31630 / 31460 / 31560
205 / 4.3LX GM	1987-1993	0B527955-0F000877	13230	13220	13390	13030	82250 / 31670 / 31560
205 / 4.3LX GM	1987-1993	0B527955-0F000877	13231	13700	13390	13030	31560 / 32700
262 MAG Alpha	1996-1997	0F803800 - 0K999999	-	N/A	13101	13100	31560 / 32700
262 MAG Bravo	1996-1997	0F803800 - 0K999999	-	N/A	13101	13100	82250 / 31670 / 31560
4.3L / LX GM	1993-1995	0F000878-0F601126	13231	13700	13390	13030	31560 / 32700
4.3L / LX GM	1993-1995	0F000878-0F601126	-	N/A	13101	13100	31560 / 32700
4.3L / LX / LXH Alpha	1996-1997	0F601127-0K999999	-	N/A	13101	13100	31560 / 32700
4.3L / LX / LXH Bravo	1996-1997	0F601127-0K999999	-	N/A	13101	13100	31560 / 32700
4.3L / LH / EFI Alpha	1998 & Up	0L010044 & Up	-	N/A	13101	13100	31560 / 32700
4.3L / LH / EFI Bravo	1998 & Up	0L010044 & Up	-	N/A	13101	13100	31560 / 32700
4.3L / LH / EFI	1998 & Up	0L010044 & Up	13540	-	-	-	-
190 GM	1963-1964	1564539-1730903	N.L.A.	N.L.A.	N/A	13030	N.L.A.
898 / 198 GM MCM / M IE	1977-1982	4762210-6218461	13530	13220	13380	13030	31510 / 31560
898 / 200 GM	1983-1986	6218462-0B525981	13230	13220	13390	13030	31630 / 31460 / 31560
200 / 5.0L	1987-1995	0B525982-0F600999	13230	13220	13390	13030	31630 / 31460 / 31560
200 / 5.0L	1987-1995	0B525982-0F600999	13231	13700	13390	13030	82250 / 31670 / 31560
200 / 5.0L	1987-1995	0B525982-0F600999	-	N/A	13101	13100	31560 / 32700
5.0L / EFI Alpha	1998 & Up	0L012052 & Up	-	N/A	13101	13100	31560 / 32700
5.0L / EFI Bravo	1998 & Up	0L012052 & Up	-	N/A	13101	13100	31560 / 32700
5.0L / EFI	1998 & Up	0L012052 & Up	-	-	-	-	-
888 Ford MCM / M IE	1971-1977	3108723-4887829	13540	-	13380	13030	31620
215 Ford MCM / M IE	1970 & Up	2781153-3040410	N.L.A.	N.L.A.	N/A	13030	30500
215 Ford MCM / M IE	1971-1972	3040411-3385720	-	-	13380	13030	31620
225 GM	1963-1967	1539620-2399197	N.L.A.	N.L.A.	N/A	13030	N.L.A.
225 GM	1967-1969	2399198-2694014	N.L.A.	13220	N/A	13030	31670 / 31460 / 31510
225 Ford MCM / M IE	1973-1974	3385721-4176999	-	-	13380	13030	31620
228 GM MCM / M IE	1977-1982	4765100-6218461	13530	13220	13380	13030	31510 / 31560
228 GM	1982-1984	6218462-0B525981	13230	13220	13390	13030	31630 / 31460 / 31560
230 M IE	1981-1986	5907058-0B5225505	13230	13220	13390	13030	31630 / 31460 / 31560
230 M IE	1981-1986	5907058-0B5225505	13550	13220	13380	13030	31460 / 31510 / 31560
230 / 5.0L M IE	1987-1988	0B522506-0B788151	13550	13220	13380	13030	31460 / 31510 / 31560
230 / 5.0L M IE	1987-1988	0B522506-0B788151	13231	13700	13390	13030	82250 / 31670 / 31560
230 / 5.0L M IE	1987-1988	0B522506-0B788151	13230	13220	13390	13030	31630 / 31460 / 31560
230 GM	1985-1986	6218462-0B525981	13230	13220	13390	13030	31630 / 31460 / 31560
230 / 5.0LX GM	1987-1995	0B525982-0F600999	13230	13220	13390	13030	31630 / 31460 / 31560
230 / 5.0LX GM	1987-1995	0B525982-0F600999	13231	13700	13390	13030	82250 / 31670 / 31560
230 / 5.0LX GM	1987-1995	0B525982-0F600999	-	N/A	13101	13100	31560 / 32700

GLM Products, Inc.

THERMOSTAT KIT & COMPONENTS APPLICATION

Model	Year	Serial No. Range	Thermostat Housing	Thermostat Cover	Thermostat & Gasket Kit	Thermostat	Gasket Req'd
233 Ford M IE	1975-1977	4173000-4902304	-	-	13380	13030	31620
250 GM MCM / M IE	1968-1969	2314301-2639854	N.L.A.	13220	13380	13030	31460 / 31510 / 31560
250 GM	1977 & Up	4768000-4902304	13530	13220	13380	13030	31510 / 31560
255 Ford MCM / M IE	1973-1974	3258728-4178299	-	-	13380	13030	31620
255 GM MCM / M IE	1975-1980	4175500-5907057	13530	13220	13380	13030	31510 / 31560
260 M IE	1981-1986	5907058-0B522505	13550	13220	13380	13030	31460 / 31510 / 31560
260 M IE	1981-1986	5907058-0B522505	13230	13220	13390	13100	31630 / 31460 / 31560
260 / 5.7L M IE	1987-1993	0B522506-0F024999	13550	13220	13380	13030	31460 / 31510 / 31560
260 / 5.7L M IE	1987-1993	0B522506-0F024999	13230	13220	13390	13030	31460 / 31560
260 / 5.7L M IE	1987-1993	0B522506-0F024999	13231	13700	13390	13030	82250 / 31670 / 31560
260 GM	1978-1982	4908850-6218461	13530	13220	13380	13100	31510 / 31560
260 GM	1982-1986	6218462-0B525981	13230	13220	13390	13030	31630 / 31460 / 31560
260 / 5.7L GM	1987-1995	0B525982-0F600999	13230	13220	13390	13030	31630 / 31460 / 31560
260 / 5.7L GM	1987-1995	0B525982-0F600999	13231	13700	13390	13030	82250 / 31670 / 31560
260 / 5.7L GM	1987-1995	0B525982-0F600999	13231	13700	13390	13100	82250 / 31670 / 31560
260 / 5.7L GM	1987-1995	0B525982-0F600999	-	N/A	13101	13100	31560 / 32700
5.7 GM Alpha	1995-1997	0F225560-0K999999	-	N/A	13101	13100	31560 / 32700
5.7 GM Bravo	1995-1997	0F225560-0K999999	-	N/A	13101	13100	31560 / 32700
5.7L / EFI GM Alpha	1998 & Up	0L010037 & Up	-	N/A	13101	13100	31560 / 32700
5.7L / EFI GM Bravo	1998 & Up	0L010037 & Up	13540	N/A	13101	13100	31560 / 32700
5.7L / EFI GM	1998 & Up	0L010037 & Up	13540	-	-	-	-
5.7L Ski	1985-1995	0A338533-0F775199	13230	13220	13390	13030	31630 / 31460 / 31560
5.7L Ski	1987-1995	0B514627-0F775199	13231	13700	13390	13030	82250 / 31670 / 31560
5.7L Ski	1987-1998	0B514627 & Up	-	N/A	13101	13100	31560 / 32700
5.7L M IE	1994-1995	0F025000-0F622099	13231	13700	13390	13030	82250 / 31670 / 31560
5.7L M IE	1994-1995	0F025000-0F622099	13550	N/A	13101	13100	31510 / 31560
5.7L M IE	1996-1997	0F622100-0K999999	-	N/A	13101	13100	31560 / 32700
5.7L M IE	1996-1997	0F622100-0K999999	13550	N/A	13101	13100	31510 / 31500
5.7L M IE	1998 & Up	0L002003 & Up	-	N/A	13101	13100	31560 / 32700
5.7L M IE	1998 & Up	0L002003 & Up	13540	-	-	-	-
350 MAG	1986-1995	0A635178-0F600999	13230	13220	13390	13030	31630 / 31460 / 31560
350 MAG	1987-1995	0B525982-0F600999	13231	13700	13390	13030	82250 / 31670 / 31560
350 MAG	1987-1997	0B525982-0F600999	-	N/A	13101	13100	31560 / 32700
350 MAG Ski	1991-1996	0D505450-0K040399	13231	13700	13390	13030	82250 / 31670 / 31560
350 MAG Ski	1991-1997	0D505450-0K999999	-	N/A	13101	13100	31560 / 32700
350 MAG EFI Ski	1994-1997	0D505450-0K999999	-	N/A	13101	13100	31560 / 32700
350 MAG MPI Ski	1995-1998	0F350583 & Up	-	N/A	13101	13100	31560 / 32700
Scorpion Ski	1996-1998	0F800000 & Up	-	N/A	13101	13100	31560 / 32700
350 MAG MPI / M IE	1998 & Up	0L010019 & Up	13540	-	-	-	-
350 MAG MPI / M IE	1998 & Up	0L010019 & Up	-	N/A	13101	13100	31560 / 32700
270 GM MCM / M IE	1969-1972	2851074-3385720	N.L.A.	13220	13380	13030	31460 / 31510 / 31560
280 GM	1975-1976	4176250-4770199	13530	13220	13380	13030	31510 / 31560
300 GM	1985-1986	6668677-0B430367	13230	13220	13390	13030	31630 / 31460 / 31560
320 GM	1987-1989	0A543604-0C622418	-	13220	13380	13030	31460 / 31510 / 31560
325 GM MCM / M IE	1969-1972	2278747-3780449	N.L.A.	13710	13380	13030	31460 / 31510 / 31560
330 GM MCM / M IE	1977-1987	4623115-0B816540	13550	13710	13380	13030	31460 / 31510 / 31560
330 GM MCM / M IE	1977-1987	4623115-0B816540	-	13710	13390	13030	31630 / 31460 / 31560
340 / 7.4L M IE	1981-1992	5889914-0D715493	13550	13710	13380	13030	31460 / 31510 / 31560
340 / 7.4L M IE	1981-1992	5889914-0D715493	13520	13710	13390	13030	31630 / 31460 / 31560
340 / 7.4L M IE	1981-1992	5889914-0D715493	13231	13700	13390	13030	31630 / 31460 / 31560



GLM Products, Inc.

THERMOSTAT KIT & COMPONENTS APPLICATION

Model	Year	Serial No. Range	Thermostat Housing	Thermostat Cover	Thermostat & Gasket Kit	Thermostat	Gasket Req'd
7.4L GM	1988-1991	0B771113-0D603117	13520	13710	13390	13030	31630 / 31460 / 31560
7.4L GM	1988-1991	0B771113-0D603117	13231	13700	13390	13030	82250 / 31670 / 31560
7.4L GM	1992-1996	0D603118-0F351999	13231	13700	13390	13030	82250 / 31670 / 31560
7.4 / LX GM	1996-1997	0F352000-0K999999	-	N/A	13101	13100	31560 / 32700
7.4 M P I / T B I	1995-1998	0F563052 & Up	-	N/A	13101	13100	31560 / 32700
7.4 M P I / T B I	1995-1998	0F563052 & Up	13540	-	-	-	-
7.4 L M I E	1989-1994	0C391564-0D715493	13231	13700	13390	13030	82250 / 31670 / 31560
7.4 L M I E	1989-1994	0C391564-0D715493	13550	13710	13101	13100	31460 / 31510 / 31560
7.4 L M I E	1989-1994	0D715494-0F349999	13231	13700	13390	13030	82250 / 31670 / 31560
7.4 L M I E	1989-1994	0C391564-0F349999	13550	13710	13380	13030	31460 / 31510 / 31560
7.4 L M I E	1994-1996	0F350000-0F820141	-	N/A	13101	13100	31560 / 32700
7.4 L M I E	1994-1996	0D715494-0F820141	13550	13710	13380	13030	31460 / 31510 / 31560
7.4 L M I E	1996-1997	0F820142-0K999999	-	N/A	13101	13100	31560 / 32700
7.4 L M I E	1996-1997	0F820142-0K999999	13550	13710	13101	13100	31510 / 31560
454 Horizon M I E	1998 & Up	0L002200 & Up	-	N/A	-	-	-
454 Horizon M I E	1998 & Up	0L002200 & Up	13540	-	-	-	-
350 M I E	1974-1976	3780450-4623109	N.L.A.	N.L.A.	13380	13030	31510-31560
370 GM	1978-1985	4179554-6721527	N.L.A.	13710	13380	13030	31460 / 31510 / 31560
370 GM	1985-1987	6721528-0B714586	13520	13710	13390	13030	31630 / 31460 / 31560
390 GM MCM / M I E	1969-1970	27881129-3042731	N.L.A.	N.L.A.	13380	13030	31460 / 31510 / 31560
400 GM	1980-1986	4179554-0B457644	N.L.A.	13710	13380	13030	31460 / 31510 / 31560
420 GM	1987-1989	0A398941-0B622418	-	13700	13380	13030	31460 / 31510 / 31560
425 GM	1990-1993	0A398941-0D937011	13520	13710	N/A	13030	31631 / 31460 / 31560
440 GM	1983-1986	4179554-0B485220	N.L.A.	13710	13380	13030	31460 / 31510 / 31560
450 GM	1995-1996	0F3247100-0F347277	13230	13220	N/A	13030	31631 / 31460 / 31560
454 MAG GM	1986-1992	0A631894-0D805068	13520	13710	13390	13030	31630 / 31460 / 31560
454 MAG GM	1992-1994	0D805069-0F304999	13231	13700	13390	13030	82250 / 31670 / 31560
454 MAG MCM / Ski	1995-1997	0F305000-0K999999	-	N/A	13101	13100	31560 / 32700
460 GM	1983-1986	4179554-6181046	N.L.A.	13710	13390	13030	31630 / 31460 / 31560
465 GM	1990-1994	0C849992-0F213244	13520	13710	N/A	13030	31631 / 31460 / 31560
500 GM	1994 & Up	0F213293 & Up	13230	13220	N/A	13030	31631 / 31460 / 31560
500 Bulldog	1990-1996	0C577254 & Up	13230	13220	N/A	13030	31631 / 31460 / 31560
502 MAG GM	1990-1993	0C878221-0F114528	13231	13700	13390	13030	82250 / 31670 / 31560
502 EFI / MPI MCM	1993-1997	0F802600-0K999999	-	N/A	13101	13100	31560 / 32700
502 MAG MPI	1998 & Up	0L017000 & Up	-	N/A	13101	13100	31560 / 32700
502 MAP MPI	1998 & Up	0L017000 & Up	13540	-	-	-	-
525 GM	1991-1997	0D456000 & Up	-	13220	13390	13030	31630 / 31460 / 31560
575 GM	1986-1992	0A677429-0D763716	13230	13220	13380	13030	31460 / 31510 / 31560
600 GM	1991-1996	0D456489-0F877642	-	-	N/A	13030	-
600 GM	1997 & Up	0K000227 & Up	-	-	N/A	-	-
800 GM MCM	1993-1996	0D763836 & Up	-	-	N/A	-	-
8.2L M I E	1990-1992	0C878221-0D857199	13231	13700	13390	13030	82250 / 31670 / 31560
8.2L M I E	1990-1992	0C878221-0D857199	13550	-	13390	13030	31460 / 31510 / 31560
8.2L M I E	1993-1996	0D857200-0F350274	13231	13700	13101	13100	31560 / 32700
8.2L M I E	1993-1996	0F350275-0F819619	-	N/A	13101	13100	31560 / 32700
8.2L M I E	1993-1996	0D857200-0F819619	13550	N/A	13101	13100	31560 / 31510
8.2L MPI / M I E	1996 & Up	0F819620 & Up	-	N/A	13101	13100	31560 / 32700
8.2L MPI / M I E	1996 & Up	0F819620 & Up	13540	-	-	-	-

TOC

Manifolds-Merc.

Manifolds-OMC

Manifolds-Volvo

Manifolds-Barr

MerCruiser

Merc / Mar / For

OMC / Volvo

Johnson / Evin

Yamaha

Index / X-Ref.

Warranty

TOC

Manifolds-Merc.

Manifolds-OMC

Manifolds-Volvo

Manifolds-Bar

MerCruiser

Merc / Mar / For

OMC / Volvo

Johnson / Evin

Yamaha

Index / X-Ref.

Warranty

Recirculating Water Pumps



BRAND NEW!

GLM Recirculating Water Pumps Include:

- Machined Brass Impeller
- Bi-Directional & Balanced
- Stainless Steel Seal Cup & Spring
- Stainless Steel Backing Plate
- Epoxy Painted Pump Housing
- Stainless Banded Ceramic Seal Seat

15100	OEM: 884727	Inline 4 & 6-Cyl. Chevy (153 - 2.5L / 181 - 3.0L / 250 - 4.0L)
15201	OEM: 850399-1	V6 & V8 S.B. Chevy New Style! (229 - 3.8L / 262 - 4.3L / 305 - 5.0L / 350 - 5.7L) Fits Both Metal & Composite Timing Chain Cover
15301	OEM: 850454-1	V8 B.B. Chevy New Style! (409 - 6.6L / 427 - 6.9L / 454 - 7.4L / 502 - 8.2L) Fits Both Metal & Composite Timing Chain Cover

Recirculating Water Pump Gaskets

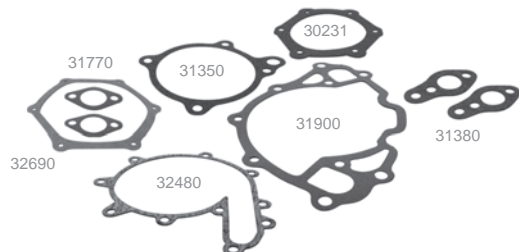


Gasket Kits

39750	OEM: 27-56108A1	302/351 CID, 215 (inboard), 233, 255 HP 888 (188 HP)
39760	OEM: 27-68714A7	Merc 224 CID 4-Cyl. 165, 170, 180, 190, 470, 488 & 485 HP
30231	OEM: 27-803192A1	For 15201, V6 305/350 Chevy
32690	OEM: 27-803192A2	For 15301, V8 454/502 Chevy

Gaskets (solo)

31900	OEM: 27-56880	Ford 302/351
32480	OEM: 27-88046	MCM/MIE 470
31350	OEM: 27-33956	For 15100, 4/6-Cyl. Inline Chevy
31380	OEM: 27-34897	For 15201, V6 305/350 Chevy
31770	OEM: 27-49110	For 15301, V8 454/502 Chevy

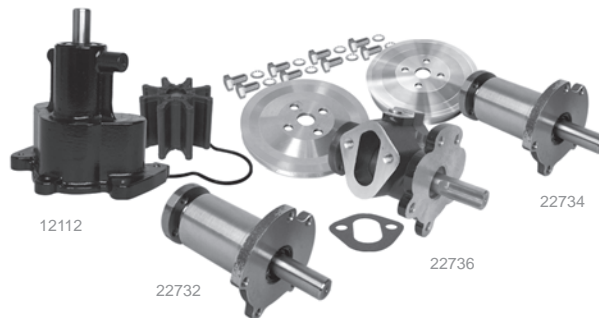


Sea Water Pump Assy. - Belt Driven



12111	OEM: 46-8M0122655	For engines w/ Serpentine belt (w/out Pulley)	Alpha & Bravo
12114	OEM: N/A	For engines w/ Serpentine belt (w/ Pulley)	Alpha & Bravo
12097	OEM: 46-807151A9	For engines w/ Serpentine belt (w/ Pulley)	GLM Brass Hsg. & St. Steel fittings
12115	OEM: N/A	For engines w/ V-belt (w/ Pulley)	GLM Brass Hsg. & St. Steel fittings Brng. Hsg. w/ Fuel Pump Port & Gasket
12093	OEM: 46-807151A12 & 46-72774A32	For engines w/ V-belt (w/out Pulley)	GLM Brass Hsg. & St. Steel fittings

Sea Water Pump Bearing Housing Assy.



12112	OEM: 46-8M0118062	For engines w/ Serpentine belt (w/out Pulley)	Alpha & Bravo
22732	OEM: N/A	For engines w/ V-belt (w/out Pulley)	
22734	OEM: N/A	For engines w/ Serpentine belt (w/ Pulley)	
22736	OEM: N/A	For engines w/ V-belt (w/ Pulley)	Brng. Hsg. w/ Fuel Pump Port & Gasket

Sea Water Pump Cover & Pulley Kits



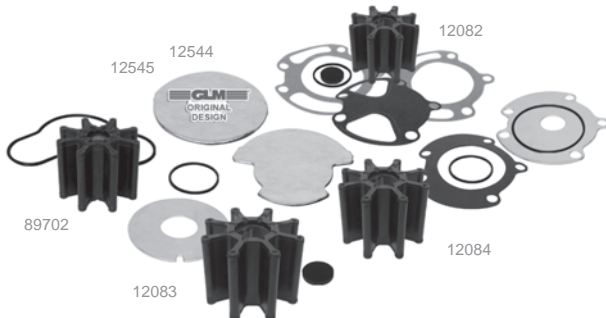
12088	OEM: 46-807151A14	Fits GLM one-piece brass body (w/ GLM Brass Hsg. & St. Steel Fittings)	Fits Merc. one-piece pump
--------------	-------------------	---	---------------------------

GLM Products, Inc.

Sea Water Pump Cover & Pulley Kits continued...

12116	OEM: 862776A01	For engines w/ Serpentine belt Alpha & Bravo
12118	OEM: N/A	Kit for engines w/ Serpentine belt Alpha & Bravo
22213	OEM: 861579	For engines w/ Serpentine belt
22217	OEM: N/A	For engines w/ V-belt
22209	OEM: N/A	For engines w/ Serpentine belt Alpha & Bravo (For No. 12111 & 12112)

Sea Water Pump Service Kits & Components



12084	OEM: 47-59362T6	Fits GLM one-piece brass body Fits Merc. one-piece pump
12083	OEM: 47-59362T5	Fits Merc. (1976 & Before) w/ one-piece brass pump
12085	OEM: 47-59362Q7	Fits Merc. two-piece pump
12082	OEM: 47-59362A4	Fits Merc. two-piece pump
89702	OEM: 47-8M0104229	Impeller & O-ring No. 81900 Fits MPI engines (Alpha & Bravo)
81900	OEM: 25-8M2021987	Fits MPI engines (Alpha & Bravo)
12545	OEM: 8M2014176	Wear Plate for plastic pump cvr
12544	OEM: N/A (GLM Design)	Wear Plate for No. 12112 pump housing

Water Pump & Outdrive Seal Kits



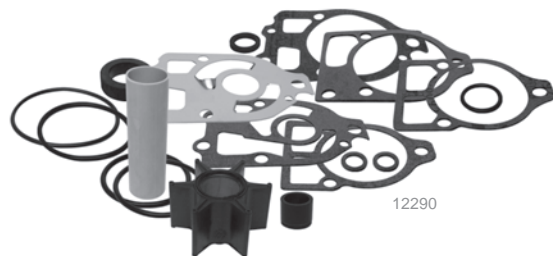
88010	SN# 2663442-6225576	MC-1 / R (1970-1983)
88020	SN# 6225577 & Up	MR / Alpha One (1984-1990)

Complete Sea Water Pump Kits Drive Mounted



12414	OEM: 817275Q4	Alpha One Gen II
12120	OEM: N/A	MR / Alpha One (1984-1990)
12110	OEM: N/A	MC-1 / R (1970-1983)
12130	OEM: N/A	MC-1 (1969 & Below) w/ flush screw

Sea Water Pump Impeller Service Kits Drive Mounted



12080	OEM: N/A	Alpha One Gen II
12043	OEM: 47-43026K06	Alpha One Gen II
12290	OEM: 47-89984T5	MC-1 / R / MR / Alpha One
39530	OEM: N/A	MC-1 / R / MR / Alpha One

Upper Sea Water Pump Housing Impeller Kit - Drive Mounted



12280	OEM: 46-96148T8	MC-1 / R / MR / Alpha One
-------	-----------------	---------------------------

SEA WATER PUMP (DRIVE MOUNTED) APPLICATION

Model	Serial No. Range	Water Pump & Outdrive Seal Kit	Complete Kit	Housing Kit	Service Kit	Pump Base	Impeller
MC-1 w/ Flush Screw	2495186-2763441	-	12130	12280	12290 / 39530	12330 / 12333	89840
MC-1 w/o Flush Screw	2763442-6854392	88010	12110	12280	12290 / 39530	12310 / 12311	89840
MR / Alpha One	6854393-OD469858	88020	12120	12280	12290 / 39530	12320 / 12322	89840
Alpha One Gen II	OD469859 & Up	-	12414	-	12080	12341	89630
Bravo I / II / III	OB664190 & Up	-	-	-	12082 / 12085	-	89740

TOC

Manifolds-Merc.

Manifolds-OMC

Manifolds-Volvo

Manifolds-Barr

MerCruiser

Merc / Mar / For

OMC / Volvo

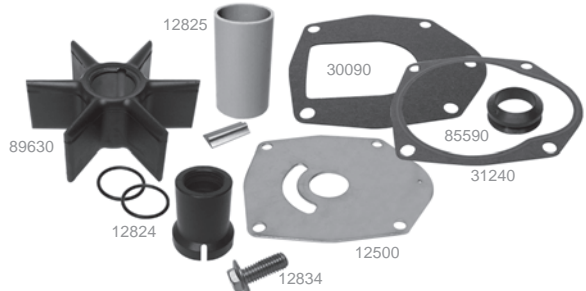
Johnson / Evin

Yamaha

Index / X-Ref.

Warranty

**Sea Water Pump Components
Alpha One Gen II**



89630	OEM: 47-43026T2	Impeller
11071	OEM: 28-43037	Key
12834	OEM: 10-816928	Screw-Cover
85590	OEM: 26-816575A2	Face Seal
12825	OEM: 23-816583	Guide Tube
12824	OEM: 816597A1	Coupling Assy.
31240	OEM: 27-817277-1	Gasket
30090	OEM: 27-43033-1	Gasket
12500	OEM: 817276-1	Face Plate

Exhaust Bellows & 316 Hose Clamps



Lower 3 Inch	89090	(OEM: 32-90949T) 3" Elbow to 3" Y-Pipe
Lower 4 Inch	89130	(OEM: 32-14358T) 4" Elbow to 4" Y-Pipe
Upper 3 Inch	89070	(OEM: 70981A3) V8 (1971-82), V6/V8 3" Center Mounted Riser to 4" Elbow, Rear Mounted Riser to 4" Y-Pipe
Upper 4 Inch	89120	(OEM: 32-44348T) V6 & V8 4" Center Mounted Riser to 4" Elbow
Exhaust Elbow	89060	(OEM: 53114A1) Inline 4 & 6-Cylinder

316 Hose Clamps

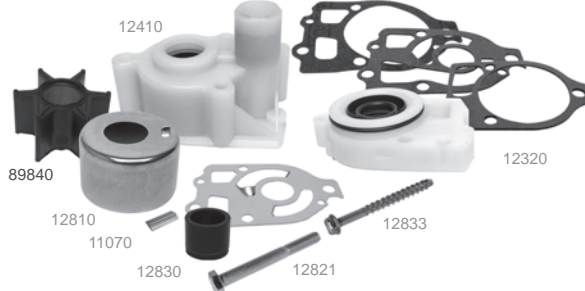
For 89060/70, 89090	01056	(OEM: 54-815504456)	#48
For 89060 & 89070	01080	(OEM: 872531)	#52
For 89090, 89130, 89070 & 89120	01100	(OEM: 54-815504372)	#72

End Cap Gaskets



30190	OEM: 27-39917	Front Gasket 153 CID/120 HP (1966-82) For caps w/ water hose connections.
31420	OEM: 27-39923	Rear Gasket 153 CID/120 HP (1966-82)
30910	OEM: 27-73812	Rear Gasket 153 CID/120 HP (1966-82) For caps w/out water hose connections.
31490	OEM: 27-480431	Rear/Front For caps w/ water hose connections.
30920	OEM: 27-807218	Rear/Front For caps w/ water hose connections.

**Sea Water Pump Components
MC-1 / R / Alpha One**



12833	OEM: 10-96411	Screw-Water Pump
12821	OEM: 10-30720	Screw-Water Pump Cover
12810	OEM: 48752	Water Pump Cup
89840	OEM: 47-89984T4	Impeller
11070	OEM: 28-56654	Key
12820	OEM: 23-29804T	Guide Tube
12830	OEM: 26-38970	Grommet
12410	OEM: 46-96148T1	Water Pump Housing
1984-1990		
12320	OEM: 46-44292A3	Water Pump Base & Gasket Kit
12322	OEM: 46-44292T1	Water Pump Base Kit
12510	OEM: 32435	Wear Plate
31020	OEM: 27-858524	Gasket
31010	OEM: 27-85608-1	Gasket
31050	OEM: 27-42631-1	Gasket
1970-1983		
12311	OEM: 46-57234T1	Water Pump Base Kit
12310	OEM: 46-57234A1	Water Pump Base
31040	OEM: 27-856704	Gasket
1969 & Before		
12333	OEM: 46-48748T1	Water Pump Base Kit
12330	OEM: 46-48748A1	Water Pump Base w/ Flush Screw Hole
31040	OEM: 27-856704	Gasket

Exhaust Elbow Gaskets

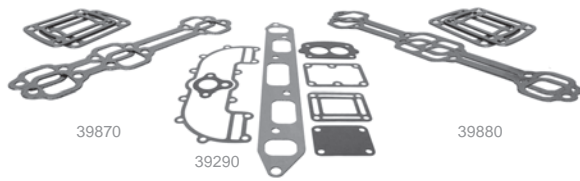


32080	OEM: 27-860232	Center Riser Open
30240	OEM: 27-860233	Center Riser Restricted
30220	OEM: 27-860231	Center Riser Closed Cooling
32630	OEM: 27-92720	Rear Riser Closed Cooling (1968-82)
31520	OEM: 27-99777-2	Rear Riser Open 4/6-Cyl. (1968-82) (except 120HP), All V8 (1978-82)
31410	OEM: 27-39915	120 (1966-82)
31480	OEM: 27-48042	w/ TRS Drive Chevy 454 V8 (1968-82) Chevy 305/327/350 (1968-77)
32460	OEM: 27-856705	Steel Gasket for Merc. Built 4-Cylinder w/ Aluminum Manifolds
32370	OEM: 27-89657	Paper Gasket for Merc. Built 4-Cylinder w/ Aluminum Manifolds
32470	OEM: 27-18272	Merc. Built 4-Cylinder (except 1976-82 470) w/ Cast Iron Manifolds

TOC
Manifolds-Merc.
Manifolds-OMC
Manifolds-Volvo
Manifolds-Bar
MerCruiser
Merc / Mar / For
OMC / Volvo
Johnson / Evin
Yamaha
Index / X-Ref.
Warranty

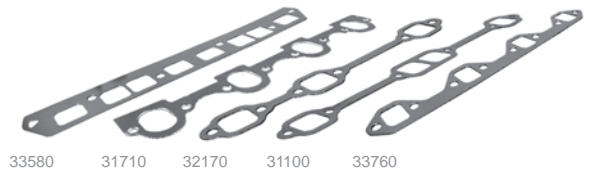
GLM Products, Inc.

Exhaust Manifold Gasket Sets



39890	OEM: N/A	Chevy V8 454/502 CID, 7.4L/8.2L (1983 & Up)
39880	OEM: N/A	Chevy V8 305/350 CID, 5.0L/5.7L (1983-2001)
39870	OEM: N/A	Chevy V6 229/262 CID, 3.8L/4.3L (1983-2001)
39320	OEM: 27-99777A1	Chevy 4-Cyl. 153/181 CID, 2.5/3.0 (1983-1995) 120/140 HP
39310	OEM: 27-54566A1	V8 Ford 302/351 (1970-1977)
39300	OEM: 27-53354A1	Chevy 4-Cyl. 181 CID, 3.0L 140 HP (1968-1982)
39120	OEM: 27-46820A1	Chevy V8 454 CID 7.4L (1968-1982)
39270	OEM: 27-46401A1	Chevy 6-Cyl. 250 CID 250, 4.1L (1970-1981) 165 HP
39280	OEM: 27-33395A2	Chevy V8 305/327/350 (1968-1982) 120 HP
39290	OEM: 27-35898A-4	Chevy 4-Cyl. 153 CID, 2.5L (1966-1982) 120 HP

Exhaust Manifold Gaskets



31550	OEM: 27-52546	Chevy 4-Cyl., 153CID, 2.5L, 120 HP
33570	OEM: 27-96429	Chevy 4-Cyl., 153/181 CID, 2.5/3.0L, (1983-1995) nonLX
31570	OEM: 27-53354	Chevy 4-Cyl., 181 CID, 3.0L, (1968-1982)
33580	OEM: 27-815528	Chevy 4-Cyl.
31710	OEM: 27-68715	4-Cyl.24 (3.7L) CID MerCruiser Built
31440	OEM: 27-46401	Chevy Inline 6-Cyl., 250 CID, 165 HP
32170	OEM: 27-99757	Chevy V6
33790	OEM: 27-73866	Ford 302/351
31100	OEM: 27-33395	Chevy 305/350
31101	OEM: CHV-47-0000	Chevy 305/350 (Barr Style)
33760	OEM: 27-46820	Chevy 454/502

MERCUISER EXHAUST MANIFOLD, ELBOW & GASKET APPLICATION

Model	Year	Serial No. Range	End Cap Front	End Cap Rear	Exhaust Elbow	Exhaust Manifold Port	Exhaust Manifold Stbd.	Gasket End Cap Front	Gasket End Cap Rear	Gasket Exhaust Manifold	Gasket Exhaust Elbow
110 L4	1963-1966	1537370-2044033	N.L.A.	N.L.A.	N.L.A.	N.L.A.	N.A	N.L.A.	N.L.A.	31550	N.L.A.
120 L4	1966-1982	2046625-6229717	N.L.A.	N.L.A.	-	-	N/A	30190	31420	31550	31410
120 / 2.5L L4	1983-1989	6229718-0C853255	51010	51020	-	51212	N/A	31490	30920	33570	31520
140 L4	1968-1982	2508261-6229717	51010	51030	51120	-	N/A	31490	31490	31570	31520
140 / 3.0L L4	1982-1995	6229718-0F603999	51010	51020	-	51212	N/A	31490	30920	33570	31520
3.0LX L4	1990-1995	0C856559-0F426999	N/A	N/A	-	-	N/A	N/A	N/A	33580	31520
3.0L / LX L4	1995 & Up	0F427000 & Up	51030	51020	-	-	N/A	30920	30920	33580	31520
165 / 170 / 3.7L CI L4	1985-1989	6916779-0C762299	N/A	N/A	-	-	N/A	N/A	N/A	31710	32470
165 / 170 / 3.7LAL L4	1985-1989	6916779-0C762299	N/A	N/A	-	-	N/A	N/A	N/A	31710	32460
180 / 190 / 3.7LX CI L4	1985-1989	6916779-0C762299	N/A	N/A	-	-	N/A	N/A	N/A	31710	32470
180 / 190 / 3.7LXAL L4	1985-1989	6916779-0C762299	N/A	N/A	-	-	N/A	N/A	N/A	31710	32460
470 MCM L4	1976-1977	4208730-4625579	N.L.A.	N.L.A.	51120	-	N/A	31490	31490	31710	31520
470 MCM / MIE L4	1977-1982	4625580-6218036	N.L.A.	N.L.A.	-	-	N/A	31490	31490	31710	31520
470 MCM Aluminum L4	1983-1984	6218037-6916778	N/A	N/A	-	-	N/A	N/A	N/A	31710	32460
485 L4	1980-1982	5685394-6218036	N/A	N/A	-	-	N/A	N/A	N/A	31710	32370
488 Aluminum L4	1983-1984	6170297-6916778	N/A	N/A	-	-	N/A	N/A	N/A	31710	32460
140 L6	1963	1538930-1725960	N/A	N/A	N.L.A.	N/A	N/A	N/A	N/A	31440	N.L.A.
150 L6	1964-1966	1666495-2048046	N/A	N/A	N.L.A.	N/A	N/A	N/A	N/A	31440	N.L.A.
160 L6	1967-1969	2048022-2770031	N/A	N/A	N.L.A.	N.L.A.	N/A	N/A	N/A	31440	N.L.A.
165 L6	1970-1981	2770032-5813433	51010	51030	51120	-	N/A	31490	30920	31440	31520
200 L6	1969	2453769-2712072	N.L.A.	51030	51120	-	N/A	31490	31490	31440	31520
175 / 185 / 4.3L V6	1985-1992	0A331455-0D714106	N/A	N/A	51110	51220	51220	N/A	N/A	32170	30240
175 / 185 / 4.3L V6	1985-1992	0A331455-0D714106	N/A	N/A	51140	51220	51220	N/A	N/A	32170	30240
185 (4 BBL) V6	1983-1984	6330183-6919655	N/A	N/A	51110	51220	51220	N/A	N/A	32170	30240
205 / 4.3LX V6	1985-1991	0A331455-0D714369	N/A	N/A	51110	51220	51220	N/A	N/A	32170	30240
205 / 4.3LX V6	1985-1991	0A331455-0D714369	N/A	N/A	51140	51220	51220	N/A	N/A	32170	30240
262 MAG / 4.3L EFI V6	1996 & Up	0F803800 & Up	N/A	N/A	51140	51220	51220	N/A	N/A	32170	30240
262 MAG / 4.3L EFI V6	1996 & Up	0F803800 & Up	N/A	N/A	N/A	-	-	N/A	N/A	32170	N/A
4.3L / LX V6	1992-1996	0D714107-0F802999	N/A	N/A	51140	51220	51220	N/A	N/A	32170	30240
4.3L / LH / LX / LXH V6	1996 & Up	0F803800 & Up	N/A	N/A	51140	51220	51220	N/A	N/A	32170	30240
4.3L / LH / LX / LXH V6	1996 & Up	0F803800 & Up	N/A	N/A	N/A	-	-	N/A	N/A	32170	N/A
190 V8	1963-1964	1564539-1730903	N.L.A.	N.L.A.	N.L.A.	N.L.A.	N.L.A.	-	-	31100	-

MERCUISER EXHAUST MANIFOLD, ELBOW & GASKET APPLICATION

Model	Year	Serial No. Range	End Cap Front	End Cap Rear	Exhaust Elbow	Exhaust Manifold Port	Exhaust Manifold Stbd.	Gasket End Cap Front	Gasket End Cap Rear	Gasket Exhaust Manifold	Gasket Exhaust Elbow
198 MIE V8	1977 & Up	4762210-6218461	51010	51010	-	-	-	31490	31490	31100	31520
898 MCM V8	1977-1982	47622210-6218461	51010	51010	51120	-	-	31490	31490	31100	31520
898 / 200 / 5.0L V8	1983-1995	6218462-0F600999	N/A	N/A	51110	51230	51230	N/A	N/A	31100	30240
898 / 200 / 5.0L V8	1983-1995	6218462-0F600999	N/A	N/A	51140	51230	51230	N/A	N/A	31100	30240
5.0L / EFI (2 bbl) V8	1998 & Up	0L015751 & Up	N/A	N/A	51140	51230	51230	N/A	N/A	31100	30240
215 MCM (FORD) V8	1970	2781153-3040410	51010	51030	51120	-	-	31490	31490	33790	31520
215 MCM (FORD) V8	1971-1972	3040411-3563181	51010	51010	51120	-	-	31490	31490	33790	31520
215 MIE (FORD) V8	1970	2781153-3040410	51010	51030	-	-	-	31490	31490	33790	31520
215 MIE (FORD) V8	1971-1972	3040411-3563181	51010	51010	-	-	-	31490	31490	33790	31520
225 MCM (FORD) V8	1973-1974	3385721-4166999	51010	51010	51120	-	-	31490	31490	33790	31520
225 MCM (FORD) V8	1973-1974	3385721-4166999	51010	51010	-	-	-	31490	31490	33790	31520
888 (FORD) V8	1971-1977	3108723-4887829	51010	51010	51120	-	-	31490	31490	33790	31520
225 MCM / MIE (GM) V8	1963-1968	1539620-2399397	N.L.A.	N.L.A.	N.L.A.	N.L.A.	N.L.A.	-	-	31100	-
225 MCM / MIE (GM) V8	1968-1969	2399398-2694014	51010	51030	-	-	-	31490	31490	31100	31480
228 V8	1977	4765100-4888929	51010	51010	-	-	-	31490	31490	31100	31520
228 V8	1978-1982	4765100-4888929	51010	51010	51120	-	-	31490	31490	31100	31520
228 TR V8	1977	4765100-4888929	51010	51010	-	-	-	31490	31490	31100	31480
228 TR V8	1977-1978	4888930-5170008	51010	51010	51120	-	-	31490	31490	31100	31520
228 MIE V8	1977	4765100-4888929	51010	51010	-	-	-	31490	31490	31100	31520
228 MIE V8	1977-1980	4888930-5907057	51010	51010	-	-	-	31490	31490	31100	31520
228 / 230 / 5.0LX V8	1983-1995	6218462-0F600999	N/A	N/A	51110	51230	51230	N/A	N/A	31100	30240
228 / 230 / 5.0LX V8	1983-1995	6218462-0F600999	N/A	N/A	51140	51230	51230	N/A	N/A	31100	30240
230 / 5.0L MIE V8	1981-1987	5907058-0B788151	N/A	N/A	-	51230	51230	N/A	N/A	31100	30240
230 / 5.0L MIE V8	1981-1987	5907058-0B788151	N/A	N/A	51110	51230	51230	N/A	N/A	31100	30240
230 / 5.0L MIE V8	1981-1987	5907058-0B788151	N/A	N/A	51140	51230	51230	N/A	N/A	31100	30240
233 MCM (FORD) V8	1975-1977	4173000-4902304	51010	51010	51120	-	-	31490	31490	33790	31520
233 MIE (FORD) V8	1975-1977	4173000-4902304	51010	51010	-	-	-	31490	31490	33790	31520
233 MIE (FORD) V8	1975-1977	4173000-4902304	51030	51010	-	-	-	31490	31490	33790	31520
250 MCM / MIE (327) V8	1968-1969	2314301-2639854	51010	51030	-	-	-	31490	31490	31100	31480
250 (350) V8	1977	4768000-4908849	51010	51010	51120	-	-	31490	31490	31100	31520
255 MCM / MIE (FORD) V8	1973-1974	3258728-4175499	51010	51010	51120	-	-	31490	31490	33790	31520
255 MIE (FORD) V8	1973-1974	3258728-4175499	51010	51010	-	-	-	31490	31490	33790	31520
255 MIE (FORD) V8	1973-1974	3258728-4175499	51030	51010	-	-	-	31490	31490	33790	31520
255 MCM (GM) V8	1975-1976	4175500-4499060	51010	51030	-	-	-	31490	31490	31100	31480
255 MCM (GM) V8	1976	4499061-4767999	51010	51010	51120	-	-	31490	31490	31100	31520
255 MIE (GM) V8	1975-1976	4175500-4499060	51010	51030	-	-	-	31490	31490	31100	31480
255 MIE (GM) V8	1976-1980	4499061-5907057	51010	51010	-	-	-	31490	31490	31100	31520
260 / 5.7L MIE V8	1981-1993	5907058-0F024999	N/A	N/A	-	51230	51230	N/A	N/A	31100	30240
260 / 5.7L MIE V8	1981-1993	5907058-0F024999	N/A	N/A	51110	51230	51230	N/A	N/A	31100	30240
260 / 5.7L MIE V8	1981-1993	5907058-0F024999	N/A	N/A	51140	51230	51230	N/A	N/A	31100	30240
260 V8	1978-1982	4908850-6218461	51010	51010	51120	-	-	31490	31490	31100	31520
260 / 5.7L / LX V8	1983-1997	6218462-0K999999	N/A	N/A	51110	51230	51230	N/A	N/A	31100	30240
260 / 5.7L / LX V8	1983-1997	6218462-0K999999	N/A	N/A	51140	51230	51230	N/A	N/A	31100	30240
5.7L CARB & EFI V8	1998 & Up	0L010037 & Up	N/A	N/A	51140	51230	51230	N/A	N/A	31100	30240
5.7L / LX EFI V8	1995 & Up	0F225560 & Up	N/A	N/A	51140	51230	51230	N/A	N/A	31100	30240
5.7LX Bravo EFI V8	1996-1997	0F800300-0K999999	N/A	N/A	51140	51230	51230	N/A	N/A	31100	30240
5.7L SKI V8	1985-1997	0A338533-0K999999	N/A	N/A	51110	51230	51230	N/A	N/A	31100	30240
5.7L SKI V8	1985-1997	0A338533-0K999999	N/A	N/A	51140	51230	51230	N/A	N/A	31100	30240
5.7L SKI V8	1998 & Up	0L002005 & Up	N/A	N/A	51140	51230	51230	N/A	N/A	31100	30240
5.7L MIE V8	1994-1997	0F025000-0K999999	N/A	N/A	51140	51230	51230	N/A	N/A	31100	30240
5.7L MIE V8	1998 & Up	0L002003 & Up	N/A	N/A	51140	51230	51230	N/A	N/A	31100	30240
5.7L EFI MIE V8	1997	0K040300-0K999999	N/A	N/A	51140	-	-	N/A	N/A	31100	30240
350 MAG Alpha V8	1986-1997	0A635178-0K999999	N/A	N/A	51140	51230	51230	N/A	N/A	31100	30240
350 MAG Alpha EFI V8	1996-1997	0F800300-0K999999	N/A	N/A	51140	51230	51230	N/A	N/A	31100	30240
350 MAG Bravo MPI V8	1995-1996	0F415189-0K001500	N/A	N/A	51140	51230	51230	N/A	N/A	31100	30240
350 MAG Bravo MPI V8	1997	0K001501-0K999999	N/A	N/A	51140	51230	51230	N/A	N/A	31100	30240
350 MAG Bravo MPI V8	1998 & Up	0L010019 & Up	N/A	N/A	51140	51230	51230	N/A	N/A	31100	30240
350 MAG SKI V8	1991-1997	0D505450-0K999999	N/A	N/A	51140	51230	51230	N/A	N/A	31100	30240
350 MAG EFI SKI V8	1994-1996	0F215561-0F820706	N/A	N/A	51140	51230	51230	N/A	N/A	31100	30240
350 MAG EFI SKI V8	1996-1997	0F820707-0K999999	N/A	N/A	51140	51230	51230	N/A	N/A	31100	30240
350 MAG MPI SKI V8	1995 & Up	0F350583 & Up	N/A	N/A	51140	51230	51230	N/A	N/A	31100	30240
350 MAG MPI SKI V8	1998 & Up	0L002008 & Up	N/A	N/A	51140	51230	51230	N/A	N/A	31100	30240
Black Scorpion SKI V8	1996 & Up	0F800000 & Up	N/A	N/A	51140	51230	51230	N/A	N/A	31100	30240

GLM Products, Inc.

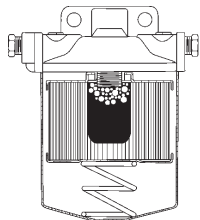
Eliminate Fuel Starvation with GLM's Low Pick-up Water/Fuel Separator Mounting Bracket

Engine compartment temperatures can soar on hot summer days creating high gasoline temperatures. High temps and agitation caused by rough seas can aerate the gasoline in the water/fuel separator filter turning it into foam. A fuel pump can't pull aerated gasoline from the water/fuel separator and deliver it to the carburetor or fuel rail efficiently. The engine will show signs of gasoline starvation (lean) at high speeds, a situation very similar to vapor lock.

Because this aerated gasoline rises to the top of the water/fuel separating filter, GLM has introduced a filter mounting bracket with a fuel pick-up extending deeper into the filter. Through extensive research and testing the GLM engineers have found the optimum location for the fuel pick-up. The deeper location is low enough to be free of aerated gasoline but high enough to be free of the water in the bottom of the separator.

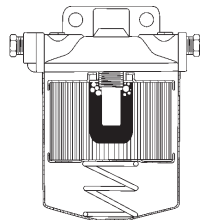
The deeper fuel pickup is only found on the new GLM water/fuel separator mounting bracket kits. It might solve some of those mysterious fuel delivery problems your engine may be experiencing!

Conventional Fuel Filter



Air molecules rise to top and into the fuel system.

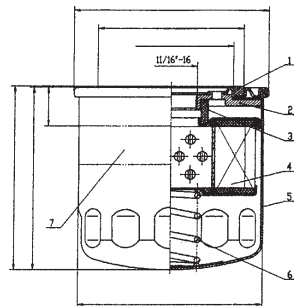
GLM's Fuel Filter



Our design prevents air from entering the fuel system.

GLM Fuel Filter Features

- 28 or 10 micron filter paper shaped into 70 pleats total 327 sq. in. filtration. The largest filtering capability in the aftermarket. (4)
- BWG #11 heavy duty spring (6).
- Gasoline resistant rubber seals (1) (3).
- Oxidizing treatment inside powder coated outside for corrosion protection (5).
- Minimum 196N.m. torque strength between adapt plate and canister (2).
- Will not separate 2 cycle oil from gasoline!



Water Separating Fuel Filter Kits



All kits come with 2 brass plugs & 2 extension tubes.

w/ Translucent Red Stainless Steel Bracket

24960	(24940+25011)	28 Micron
	Flow: 50 GPH	ø1/4" NPTF Ports
24962	(24940+25031)	28 Micron
	Flow: 75 GPH	ø3/8" NPTF Ports

w/ SUS 316 Stainless Steel Bracket

24956	(24950+25010)	28 Micron
	Flow: 50 GPH	ø1/4" NPTF Ports
24958	(24940+25030)	28 Micron
	Flow: 75 GPH	ø3/8" NPTF Ports
24957	(24942+25010)	10 Micron
	Flow: 50 GPH	ø1/4" NPTF Ports
24959	(24942+25030)	10 Micron
	Flow: 75 GPH	ø3/8" NPTF Ports

w/ Die Cast Aluminum Bracket

24950	(24940+25000)	28 Micron
	Flow: 50 GPH	ø1/4" NPTF Ports
24953	(24940+25020)	28 Micron
	Flow: 75 GPH	ø3/8" NPTF Ports
24952	(24942+25000)	10 Micron
	Flow: 50 GPH	ø1/4" NPTF Ports
24954	(24942+25020)	10 Micron
	Flow: 75 GPH	ø3/8" NPTF Ports

Water Separating Fuel Filters



24942	OEM: N/A	10 Micron (4-7/16" H)
24940	OEM: 35-60494-1	28 Micron (4-7/16" H)
24941	OEM: 35-802893Q	28 Micron (3-3/4" H)
24930	OEM: 502905(OMC)	28 Micron (4-7/16" H)

Water Separating Fuel Filter Brackets



All brackets come with 2 brass plugs & 2 extension tubes.

Translucent Red Stainless Steel Brackets

25011	(2 inputs & 2 outputs)	ø1/4" NPTF Ports
25031	(2 inputs & 2 outputs)	ø3/8" NPTF Ports

SUS 316 Stainless Steel Brackets

25010	(2 inputs & 2 outputs)	ø1/4" NPTF Ports
25030	(2 inputs & 2 outputs)	ø3/8" NPTF Ports

Die Cast Aluminum Brackets

25000	(2 inputs & 2 outputs)	ø1/4" NPTF Ports
25020	(2 inputs & 2 outputs)	ø3/8" NPTF Ports



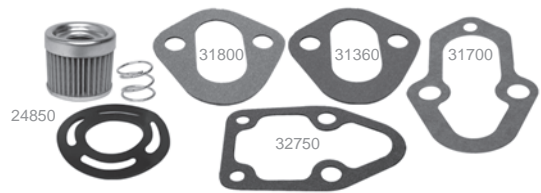
GLM Products, Inc.

Carburetor Fuel Filters



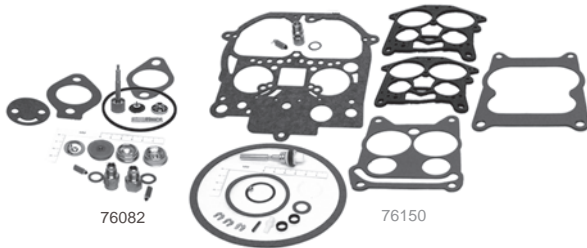
24841	OEM: 1397-8767Q	Fuel Filter Kit
24840	OEM: 35-53336Q	Fuel Filter
24810	OEM: 93568	Fuel Filter (Holley 4-Barrel)
24980	OEM: 1397-2150	Fuel Filter Kit

Fuel Pump Filter Kit & Gaskets



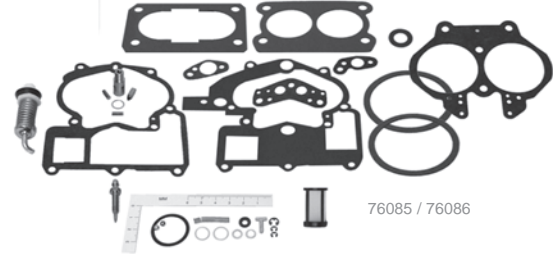
24850	OEM: 35-803897K1	Fuel Pump Filter Kit
31700	OEM: 27-42457	Fuel Pump Gasket - V6
31360	OEM: 27-34213	Fuel Pump Gasket - V8 Chevy
32750	OEM: 27-34898	Fuel Pump Gasket - 305/350
31800	OEM: 27-72805	Fuel Pump Gasket - V8 Ford

One Barrell & Four Barrel Carb. Kits



76082	OEM: 1398-3089	Carter 1-Barrel Fits 80 HP Renault (1966-1969)
76150	OEM: 823426A1	Rochester Quadrajets 4-Barrel Fits all engines w/ Quadrajets Marine Carbs.
76140	OEM: 809064	Weber 4-Barrel for V8
76170	OEM: 809065	Weber 4-Barrel for V8
76096	OEM: 1396-5238	Holley 4-Barrel Fits 351 Ford (1970-1974)
76110	OEM: 13220	Holley 4-Barrel Fits most MerCruiser HP engines.

Two Barrel Carburetor Kits



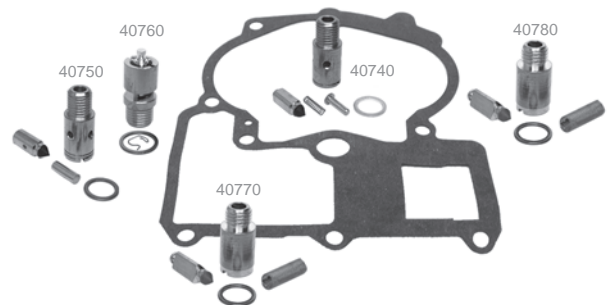
76068	OEM: 823427A1	Rochester 2-Barrel 153 CID, 2.5L, 120HP (1972 & Up) w/ Roch. Carb. 181 CID, 3.0L, 140HP (1968 & Up) w/ Roch. Carb. All Chevy Inline 6-Cyl. engines w/ Roch. Carb.
76083	OEM: 1397-6367A1	Rochester 2-Barrel 224 CID, 3.7L (1976-1989) w/ Roch. Carb.
76106	OEM: 1397-8760	Rochester 2-Barrel V8 302 Ford (1970-1977) w/ Roch. Carb.
76107	OEM: 1397-5831	Rochester 2-Barrel V8 305 Chevy (1978 & Up) w/ Roch. Carb.
76081	OEM: 1396-4656	Holley 2-Barrel V8 302 Ford (1970-1977) w/ Holley Carb.
76085	OEM: 3302-804845	MerCarb 2-Barrel Early MerCarb (1983-1986) w/ #1 Design Accel. Pump
76086	OEM: 3302-804844	MerCarb 2-Barrel Late MerCarb (1985 & Up) w/ #2 Design Accel. Pump

Carburetor Mounting Gaskets



2-Barrel & 5.7L / 7.4L MPI		
30580	OEM: 27-60715	Holley Carb.
31660	OEM: 27-64692	Rochester Carb.
32140	OEM: 27-70142	Holley Carb.
32180	OEM: 27-807982	Rochester & MerCarb
30363	OEM: 27-805396	5.7L & 7.4L MPI
4-Barrel		
30362	OEM: 27-12732	Holley Carb.
30361	OEM: 27-41609	Holley Carb.
32130	OEM: 27-65577	Holley Carb.
31540	OEM: 27-48399	Rochester Carb.
30380	OEM: 27-52457-2	Rochester & Weber
30510	OEM: 27-58764	Rochester

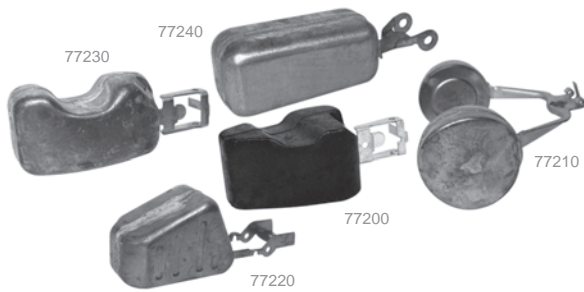
Inlet Needle & Seats



40740	OEM: 3302-804689	Late MerCarb w/ Spring
40750	OEM: 3302-9407	Early MerCarb Solid
40760	OEM: 1397-8548	Quadrajets
40770	OEM: 811534	Weber V8 Engines
40780	OEM: 823727	Weber V6 Engines

GLM Products, Inc.

Carburetor Floats



- 77210** OEM: 1397-2610 Rochester 1-Barrel
- 77200** OEM: 1397-2060 Rochester 2-Barrel
- 77230** OEM: 1397-5837, 3302-9031 Rochester & MerCarb 2-Barrel
- 77220** OEM: 1397-3327, 8546 / 8959 Quadrajel 4-Barrel
- 77240** OEM: 811536T Weber 4-Barrel

VST (Vapor Separator Tank) O-ring Kit



40040 OEM: 808500 GM EFI

VST O-RING KIT APPLICATION

Model	Year
262 MAG (TBI)(GEN+)	-
350 MAG EFI SKI (TBI) GM 350 V8	1994-1996
350 MAG MPI SKI GM 350 V8	1995-1996
350 MAG ALPHA EFI (GEN+) GM 350 V8	1996
350 MAG BRAVO MPI GM 350 V8	1995
350 MAG BRAVO MPI (GEN+) GM 350 V8	1996
454 EFI (GEN V) GM 454 V8	1994-1996
454 EFI (SKI) GEN V GM 454 V8	1995
454 MAG MPI (SKI) GEN VI GM 454 V8	1996-1997
454 MAG MPI BRAVO (GEN VI) GM 454 V8	1996-1997
5.7L ALPHA EFI (TBI) GM 350 V8	1995
5.7L BRAVO EFI (TBI) GM 350 V8	1995
5.7L EFI (2 BBL.-TBI) GM 350 V8	1996
5.7LX BRAVO EFI (GEN+) GM 350 V8	1996
5.7LX EFI (4 BBL.-TBI) GM 350 V8	1996
502 EFI (GEN V) GM 502 V8	1993-1995
502 MAG MPI (GEN VI) GM 502 V8	1996
7.4L MPI MIE (LH) GEN V GM 454 V8	1995-1996
7.4L MPI MIE (LH) GEN VI GM 454 V8	1996-1997
7.4LX BRAVO (MPI)(GEN V) GM 454 V8	1996
7.4LX BRAVO (MPI) (GEN VI) GM 454 V8	1996-1997
8.2L MIE MPI (LH) GEN VI GM 502 V8	1996-1997

CARBURETOR REPAIR KITS & COMPONENTS APPLICATION

Model	Year	Serial No. Range	Original Carb No.	MFG No. Code / Model	Carb. Repair Kit	Base Gasket	Carb. Float	Needle & Seat
60 L4	1965-1968	1887079-2049044	1342-2565	MD135A	-	N.L.A.	N.L.A.	N.L.A.
60 L4	1965-1968	1887079-2049044	1342-2565	MD134A	-	N.L.A.	N.L.A.	N.L.A.
80 L4	1966-1969	2049045-2851423	1346-2770	RBS4394S C 1/RBS	76082	N.L.A.	N.L.A.	N.L.A.
90 L4	1970-1971	2851424-3225967	1351-4263A1	7040082 R 2/2G C	76068	31660	77200	NSS
90 L4	1972	3225868-3226957	1351-4263A2	7041369 R 2/2G C	76068	31660	77200	NSS
110 L4	1963-1966	1537370-2044033	1336-2076	7036543 R 2/2G C	N.L.A.	31660	77200	NSS
120 L4	1964-1968	1666601-2520424	1336-2076	7036543 R 2/2G C	N.L.A.	31660	77200	NSS
120 L4	1969-1972	2520425-3377340	1336-3594A1	7036543 R 2/2G C	N.L.A.	31660	77200	NSS
120 L4	1972-1973	3377341-3770649	1351-4263A3	7041369 R 2/2G C	76068	31660	77200	NSS
120 L4	1974-1975	3770650-4469865	1351-5202A1	7043182 R 2/2G C	76068	31660	77200	NSS
120 L4	1976-1978	4469866-5192048	1351-6065A2	7044182 R 2/2G C	76068	31660	77200	NSS
120 L4	1979-1982	5192049-6229717	1351-7354A1	17059054 R 2/2G C	76068	31660	77200	NSS
120/2.5L L4	1983-1989	6229718-0C853255	1351-8480A2	17081060 R 2/2G C	76068	31660	-	NSS
120/2.5L L4	1983-1989	6229718-0C853255	1389-8490A2	M 2/MERCARB	76086	32180	77230	40750
120/2.5L L4	1983-1989	6229718-0C853255	1389-9350A2	M 2/MERCARB	76086	32180	77230	40750
120/2.5L L4	1983-1989	6229718-0C853255	1389-9562A1	M 2/MERCARB	76086	32180	77230	40750
140 L4	1968-1969	2508261-2816416	1351-3635A1	7036646 R/2G C	76068	31660	77200	NSS
140 L4	1970	2816417-2911439	1351-4032A1	7040080 R/2G C	76068	31660	77200	NSS
140 L4	1970-1973	2911440-3771644	1351-4293A1	7040084 R/2G C	76068	31660	77200	NSS
140 L4	1974-1978	3771645-5157668	1351-5203A1	7043184 R/2G C	76068	31660	77200	NSS
140 L4	1979-1982	5157669-6229717	1351-7355A1	17059052 R/2G C	76068	31660	77200	NSS
140/3.0L L4	1983-1989	6229718-0C856556	1351-8480A2	17081060 R/2G C	76068	31660	-	NSS
140/3.0L L4	1983-1989	6229718-0C856556	1389-8490A2	M 2/MERCARB	76086	32180	77230	40750
140/3.0L L4	1983-1989	6229718-0C856556	1389-9350A2	M 2/MERCARB	76086	32180	77230	40750



GLM Products, Inc.

CARBURETOR REPAIR KITS & COMPONENTS APPLICATION

Model	Year	Serial No. Range	Original Carb No.	MFG No. Code / Model	Carb. Repair Kit	Base Gasket	Carb. Float	Needle & Seat
140/3.0L L4	1983-1989	6229718-0C856556	1389-9562A1	M 2/MERCARB	76086	32180	77230	40750
3.0L L4	1990	0C856559-0D447414	1389-815396A2	M 2/MERCARB	76086	32180	77230	40740
3.0L L4	1991-1993	0D447415-0D836075	1389-9562A1	M 2/MERCARB	76086	32180	77230	40740
3.0L L4	1993-1995	0D836076-0F603999	1389-815396A2	M 2/MERCARB	76086	32180	77230	40740
3.0LX L4	1990 & Up	0C856559 & Up	1389-815397A2	M 2/MERCARB	76086	32180	77230	40740
165/170/3.7L (4-Cyl) L4	1987-1989	6916779 & Up	1389-9564A1	M 2/MERCARB	76086	32180	77230	40750
470 L4	1976-1984	4208730-6916778	1376-5990A1	17057132 R/2G C	76068	31660	77230	NSS
470 L4	1983-1984	6218037-6916778	1389-8489A5	M 2/MERCARB	76086	32180	77230	40740
485 L4	1980-1982	5685394-6218036	1376-5990A1	17057132 R 2/G C	76068	31660	77230	NSS
180/190/3.7LX (4-Cyl.) L4	1985-1989	6916779 & Up	1347-9142A2	17083522 R 2/2ME	76150	30380	77220	40760
488 L4	1983-1984	6170297-6916778	1347-8460A3	17081299 R 4/4ME	76150	30380	77220	-
140 (6-Cyl.) L6	1963	1538930-1725960	1338-2161	7025638 R 1/B C	-	N.L.A.	77210	NSS
140 (6-Cyl.) L6	1963	1538930-1725960	1338-2166	7025662 R 1/B	-	N.L.A.	77210	NSS
150 L6	1964-1966	1666495-1823489	1338-2428	7024180 R 1/B C	-	N.L.A.	77210	NSS
150 L6	1964-1966	1666495-1823489	1338-2431	7024181 R 1/B	-	N.L.A.	77210	NSS
150 L6	1964-1966	1823490-1830151	1338-2608	7025183 R 1/B C	-	N.L.A.	77210	NSS
150 L6	1964-1966	1823490-1830151	1338-2609	7025184 R 1/B	-	N.L.A.	77210	NSS
150 L6	1964-1966	1830152-2048046	1338-2633	7025188 R 2/2G C	76068	31660	77200	NSS
160 L6	1967-1968	2048022-2492035	1338-2991	7026088 R 2/2G C	76068	31660	77200	NSS
160 L6	1969	2492036-2770031	1351-3635A1	7036646 R 2/2G C	76068	31660	77200	NSS
165 (6-Cyl.) L6	1970-1972	2770032-3354791	1351-4282A1	7040083 R 2/2G C	76068	31660	77200	NSS
165 (6-Cyl.) L6	1972-1973	3354702-3774864	1351-4871A1	7042183 R 2/2G C	76068	31660	77200	NSS
165 (6-Cyl.) L6	1974-1978	3774865-5178958	1351-5204A1	7043183 R 2/2G C	76068	31660	77200	NSS
165 (6-Cyl.) L6	1979-1981	5178959-5813433	1351-7356A1	17059050 R 2/2G C	76068	31660	77200	NSS
200 (6-Cyl.) L6	1969	2453769-2494935	1347-3237A2	7037082 R 4/4M V	76150	30380	77200	N.L.A.
200 (6-Cyl.) L6	1969	2494936-2712072	1347-3237A4	7037082 R 4/4M V	76150	30380	77200	N.L.A.
185 (229 CID) V6	1993-1994	6330183-6919655	3300-8886A2	17083515 R 4/4M E	76150	30380	77200	40760
175/185/4.3L (262 CID) V6	1985-1987	0A221455-0B527954	3304-9353A2	M 2/MERCARB	76085	32180	77230	40750
175/185/4.3L (262 CID) V6	1985-1992	0A221455-0D714106	3304-9565A1	M 2/MERCARB	76086	32180	77230	40750
175/185/4.3L (262 CID) V6	1992-1993	0D714107-0F000877	3304-9565A7	M 2/MERCARB	76086	32180	77230	40750
175/185/4.3L (262 CID) V6	1993-1995	0F000878-0F601126	3310-806080A2	M 2/MERCARB	76086	32180	77230	40740
175/185/4.3L (262 CID) V6	1996 & Up	0F601127 & Up	3310-807764A1	M 2/MERCARB	76086	32180	77230	40740
205/4.3LX V6	1985-1991	0A331455-0D714369	3304-9354A2	17084516 R 2/2G C	76150	30380	77220	40760
4.3LX V6	1992-1996	0D714370-0F802999	3310-818660A1	-	76086	30380	77240	40780
4.3LXH/LH V6	1996 & Up	0F303114 & Up	3310-807826A1	WEBER	-	30380	77240	40780
190 V8	1963-1964	1564539-1730903	1339-2249	7026358 R 2/2G C	76098	N.L.A.	N.L.A.	NSS
198 MIE / 898 MCM V8	1977	4762210-6218461	1376-6491A1	17057139 R 2/2G C	76106	32180	77230	NSS
198 MIE / 898 MCM V8	1977-1982	4762210-6218461	1376-6491A1	17057139 R 2/2G C	76106	32180	77230	NSS
898/200 V8	1983-1986	6218462-0B525981	1376-8295A 3	17080350 R 2/2G C	76106	32180	77230	NSS
898/200 V8	1983-1986	6218462-0B525981	1389-8488A2	M 2/MERCARB	76086	32180	77230	40750
898/200 V8	1983-1986	6218462-0B525981	1389-0563A1	M 2/MERCARB	76086	32180	77230	40750
200/5.0L V8	1987-1995	0B525982-0F600999	1389-9670A2	M 2/MERCARB	76086	32180	77230	40740
5.0L (Gen+) V8	1988 & Up	0L0157751 & Up	3310-861448A1	M 2/MERCARB	76086	32180	77230	40740
215 MCM/MIE (Ford) V8	1970-1972	2781153-3385720	1356-4066	C9FF9510E H4/4160	76096	32130	N.L.A.	N.L.A.
225 MCM/MIE (Ford) V8	1973-1974	3385721-4166999	1356-5155	D2JL9510C H4/4160	76096	32130	N.L.A.	N.L.A.
888 V8	1971-1977	3108723-4887829	1356-4642	D1JJ95108 H2/2300	76081	30580	77230	N.L.A.
888 V8	1971-1977	3108723-4887829	1376-5659A1	7044185 R2/2G C	76106	32180	N.L.A.	NSS
225 MCM/MIE (GM) V8	1963-1969	1539620-2694014	1337-2103	7025564 R4/4G C	76084	N.L.A.	N.L.A.	NSS
225 MCM/MIE (GM) V8	1963-1969	1539620-2694014	1337-2604	7025756 R4/4G C	76084	N.L.A.	77220	NSS
225 MCM/MIE (GM) V8	1963-1969	1539620-2694014	1347-3353	7037082 R4/4M V	76150	31540	77220	NSS

GLM Products, Inc.

CARBURETOR REPAIR KITS & COMPONENTS APPLICATION

Model	Year	Serial No. Range	Original Carb No.	MFG No. Code / Model	Carb. Repair Kit	Base Gasket	Carb. Float	Needle & Seat
225 MCM/MIE (GM) V8	1963-1969	1539620-2694014	1347-3237A3	7037082 R4/4M V	76150	31540	77220	NSS
228 V8	1977-1978	4765100-5069430	1347-6427A1	17057282 R4/4M V	76150	30380	77220	NSS
228 TR & MIE V8	1977-1978	4765100-5069430	1347-6438A1	17057283 R4/4M V	76150	30380	77220	NSS
228 V8	1978-1981	5069431-6021783	1347-7361A1	17059292 R4/4M V	76150	30380	77220	NSS
228 V8	1982	6021784-6218461	1347-9296A4	17080565 R4/4M V	76150	30380	77220	40760
228/230/5.0LX V8	1983-1995	6218462-0F600999	1347-9661A3	17080565 R4/4M V	76150	30380	77220	40760
228 MIE V8	1978-1982	5069431-6040745	1347-7364A1	17059291 R4/4M V	76150	30380	77220	NSS
230 MIE V8	1982-1987	6040746-0B788151	1347-8290A1	17080564 R4/4M V	76150	30380	77220	40760
233 MCM & MIE V8	1975-1977	4173000-4465029	1376-5744A1	7044187 R2/2G C	76106	32180	77230	NSS
233 MCM & MIE V8	1975-1977	4465030-4902304	1376-6152A2	17056197 R2/2G C	76106	32180	77230	NSS
250 (350 CID) V8	1977	4768000-4908849	1347-3353	7037082 R4/4M V	76150	31540	77220	NSS
250 (350 CID) V8	1977	4768000-4908849	1347-3237A3	7037082 R4/4M V	76150	31540	77220	NSS
255 MCM/MIE (Ford) V8	1973-1974	3258728-4175499	1356-5169	D2JL9510E H4/4160	76096	32130	N.L.A.	N.L.A.
255 MIE (GM) V8	1975-1978	4175500-4924564	1347-5732A1	7044291 R4/4M V	76150	30380	77220	NSS
255 MIE (GM) V8	1978	4924565-5195908	1347-7062A1	17057295 R4/4M V	76150	30380	77220	NSS
255 MIE (GM) V8	1979-1980	5195909-5907057	1347-7365A1	17059289 R4/4M V	76150	30380	77220	NSS
260 MIE V8	1980-1986	5907058-0B522505	1347-8289A1	17080562 R4/4M V	76150	30380	77220	40760
260 MIE/5.7 MIE V8	1987-1993	0B522506-0F024999	1347-9662A4	17080561 R4/4M V	76150	30380	77220	40760
5.7 MIE V8	1994	0F025000-0F349299	3310-806761A1	9665S WEBER	76140	30380	77240	40770
5.7 MIE V8	1994	0F025000-0F349299	3310-806761A2	9665S WEBER	76140	30380	77240	40770
5.7 MIE V8	1995	0F349300-0F622099	3310-806761A3	9665S WEBER	76140	30380	77240	40770
5.7 MIE V8	1996-1997	0F622100-0K999999	3310-807262A2	4781S WEBER	76140	30380	77240	40770
5.7 MIE (2BBL) V8	1998 & Up	0L002003 & Up	3310-861245A1	M2/MERCARB	76086	32180	77230	40740
255 V8	1975-1976	4175500-4767999	1347-5732A1	7044291 R4/4M V	76150	30380	77220	NSS
260 V8	1978	4908850-5060805	1347-6492A1	17057298 R4/4M V	76150	30380	77220	NSS
260 V8	1978-1982	5060806-6024393	1347-7362A1	17059288 R4/4M V	76150	30380	77220	NSS
260 V8	1982-1986	6024393-0B525981	1347-8282A4	17080561 R4/4M V	76150	30380	77220	40760
260/5.7L Alpha V8	1987-1993	0B525982-0F000454	1347-9662A4	17080561 R4/4M V	76150	30380	77220	40760
5.7 Alpha V8	1993-1994	0F000455-0F273497	3310-806761A1	9665S WEBER	76150	30380	77240	40770
5.7L Alpha V8	1994-1995	0F273498-0F600999	3310-806761A3	9665S WEBER	76140	30380	77240	40770
5.7 (2 BBL) V8	1996-1997	0F601000-0K999999	3310-807312A1	M 2/MERCARB	76086	32180	77230	40740
5.7 (Gen+) (2 BBL) V8	1998 & Up	0L010037 & Up	3310-861245A1	M 2/MERCARB	76086	32180	77230	40740
5.7LX (4 BBL) V8	1996-1997	0F601000-0K999999	3310-807262A2	9781S WEBER	76140	30380	77240	40770
5.7L Bravo (w/o HR Intake) V8	1987-1991	0B525982-0D617327	1347-9662A4	17080561 R4/4M V	76150	30380	77220	40760
5.7L Bravo (w/ HR Intake) V8	1987-1991	0B525982-0D617327	1347-8289A1	17080561 R4/4M V	76150	30380	77220	40760
5.7L Bravo V8	1992-1995	0D617328-0F600999	3310-806970A1	9770SA WEBER	76170	30380	77240	40770
350 Magnum Alpha V8	1986-1991	0A635178-0D617327	1347-8289A1	17080562 R4/4M V	76150	30380	77220	40760
350 Magnum Alpha V8	1992-1995	0D617328-0F600999	3310-806970A1	9770SA WEBER	76170	30380	77240	40770
350 Magnum Alpha V8	1996-1997	0F601000-0K999999	3310-807262A2	9781S WEBER	76140	30380	77240	40770
5.7 SKI V8	1985-1993	0A338533-0F025099	1347-9415T	17095013 R4/4M V	76150	30380	77220	40760
5.7 SKI V8	1993-1995	0F025100-0F449999	3310-806761A2	9665S WEBER	76140	30380	77240	40770
5.7 SKI V8	1995	0F450000-0F775199	3310-806761A3	9665S WEBER	76140	30380	77240	40770
5.7 SKI (2 BBL) V8	1996-1997	0F775200-0K999999	3310-807312A1	M 2/MERCARB	76086	32180	77230	40740
5.7L SKI (GEN+) (2 BBL) V8	1998 & Up	0L002005 & Up	3310-861245A1	M 2/MERCARB	76086	32180	77230	40740
350 MAG SKI V8	1991-1997	0D505450-0K999999	3310-807262A2	9781S WEBER	76140	30380	77240	40770
350 MAG SKI V8	1997	0K040400-0K999999	3310-860371A1	9781S WEBER	76140	30380	77240	40770
270 MCM/MIE V8	1969-1972	2851074-3385720	1347-4180A1	7029285 R4/4M V	76150	30380	77220	NSS
280 TRS V8	1975	4176250-4176468	1347-4179A2	7040283 R4/4M V	76150	30380	77220	NSS
280 TRS V8	1975-1976	4176469-4770199	1347-5981A1	7044290 R4/4M V	76150	30380	77220	NSS
300 MR/TRS V8	1985-1986	6668677-0B430367	1347-7498A7	17059280 R4/4M V	76150	30380	77220	NSS



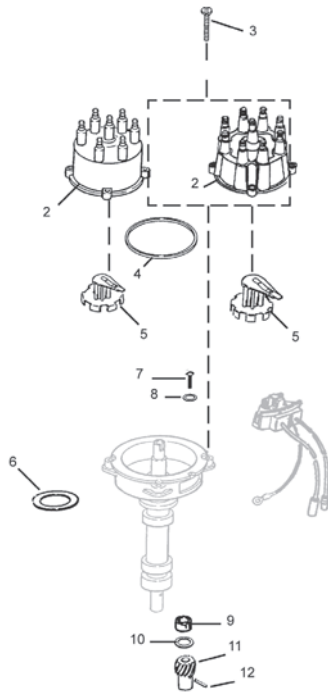
GLM Products, Inc.

DISTRIBUTOR ASSEMBLY - THUNDERBOLT IV & V

Distributor Assembly GM V6



71240 OEM: 805185A37



Distributor Assembly GM V8



71250 OEM: 805185A36

Ref. No.	GLM No.	OEM No.	Description	Ref. No.	GLM No.	OEM No.	Description
1	71240	805185A37	Distributor Assy. V6	6	31370	27-34486-3	Gasket
1	71250	805185A36	Distributor Assy. V8	7	22311	10-66686	Screw (1")
2	71500	815407A2	Distributor Cap V6	7	22312	10-72202	Screw (1-1/4")
2	71510	805759T2	Distributor Cap V8	8	21491	13-69432	Lockwasher
3	22305	10-90926	Screw	9	21426	23-90915	Bushing
4	32060	27-805760	Gasket	10	21661	12-90931	Washer
5	72890	13524A6	Rotor Assy.	11	19360	43-818807	Drive Gear
5	72880	13524T1	Rotor Assy.	12	22195	17-47617	Pin

Thunderbolt IV / V Cap Rotor Kit & Components



71790

71780

V6		
71790	OEM: 815407T5	Cap & Rotor Kit
71500	OEM: 815407A2	Cap
72890	OEM: 13524A6	Rotor
V8		
71780	OEM: 805759T3	Cap & Rotor Kit
71510	OEM: 805759T1	Cap
72880	OEM: 13524T1	Rotor

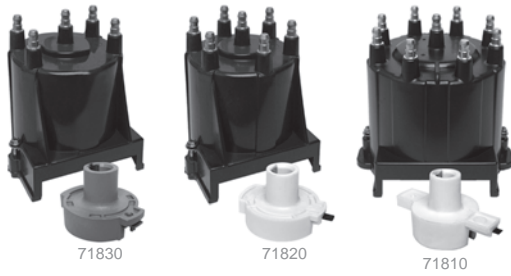
Thunderbolt IV & V Components



19360	OEM: 43-818807	Drive Gear
21426	OEM: 23-90915	Bushing
22195	OEM: 17-47617	Pin
31370	OEM: 27-34486-3	Gasket
22305	OEM: 10-90926	Screw
22311	OEM: 10-66686	Screw - 1"
22312	OEM: 10-72202	Screw - 1-1/4"
21661	OEM: 12-90931	Washer
21491	OEM: 13-69432	Washer

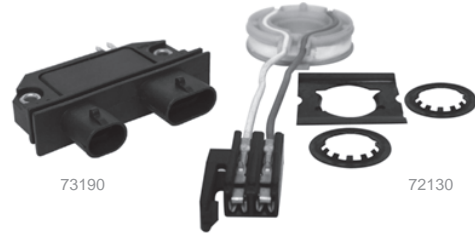
GLM Products, Inc.

Delco EST (Electronic Spark Timing) Cap & Rotor Kit - Components



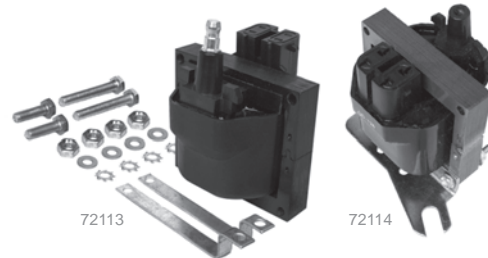
4-Cyl.		
71830	OEM: 811635Q2	Cap & Rotor Kit
71420	OEM: 811635T3	Cap
71120	OEM: 811636-1	Rotor
6-Cyl.		
71820	OEM: 850484T3	Cap & Rotor Kit
71410	OEM: 850484T2	Cap
71110	OEM: 8M0062084	Rotor
8-Cyl.		
71810	OEM: 808483Q1	Cap & Rotor Kit
71400	OEM: 808483T3	Cap
71100	OEM: 8M6001253	Rotor

Late Style Delco EST Ignition Module & Pick-Up Coil Sensor



73190	OEM: 811637T	Ignition Module
72130	OEM: 811639T	Pick-Up Coil Sensor

Late Style Delco EST E-Core Coils



72113	OEM: 817378	E-Core Coil
72114	OEM: 806673T1	E-Core Coil

Standard Ignition Tune-Up Kits



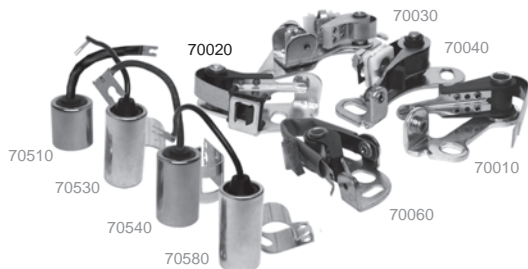
Delco Tune-Up Kits		
71720	OEM: N/A	Inline 4-Cyl.
71710	OEM: N/A	Inline 6-Cyl.
71700	OEM: N/A	V8
72610	OEM: 34235Q1	4 & 6-Cyl. (w/o Cap)
72630	OEM: 801766	V8 (w/o Cap)
Prestolite Tune-Up Kits		
71750	OEM: N/A	V6
71740	OEM: N/A	V8
71770	OEM: N/A	V8
72650	OEM: 392-6324T1	V6 & V8 (w/o Cap)
72640	OEM: 801768	V8 (w/o Cap)
Prestolite Cap & Rotor Kit		
71840	OEM: 393-4988T1	V8
Mallory Tune-Up Kits		
71760	OEM: N/A	V8
72620	OEM: 391-5090T1	V8 (w/o Cap)

Standard Ignition Cap & Rotors



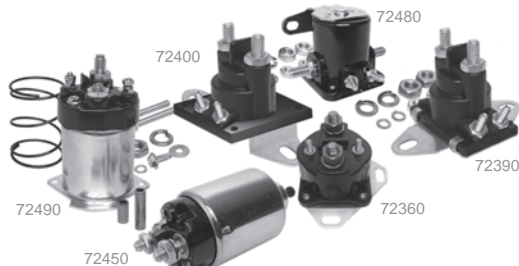
Distributor Caps		
71540	OEM: 393-9459T1	Delco 4-Cyl.
71530	OEM: 33765T	Delco 6-Cyl.
71520	OEM: 33708	Delco V8
71600	OEM: 392-9086T	Prestolite V6
71570	OEM: 392-6318T	Prestolite V8
71550	OEM: 393-4988T2	Prestolite V8
71590	OEM: 391-5075T1	Mallory V8
Rotors		
71020	OEM: 58217	Delco 4 & 6-Cyl.
71010	OEM: 33707	Delco V8
71060	OEM: 392-9089T	Prestolite V6 & V8
71030	OEM: 65864	Prestolite V8
71040	OEM: 8M6001224	Mallory V8

Standard Ignition - Points & Condensers



Points		
70020	OEM: 34235T	Delco 4 & 6-Cyl.
70030	OEM: 33700	Delco V8
70010	OEM: 8M6001219	Prestolite
70040	OEM: 898253007	Prestolite V8
70060	OEM: 8M6001250	Mallory
Condensers		
70530	OEM: 33662	Delco 4 & 6-Cyl.
70580	OEM: 8M6001217	Delco V8 / Mallory
70510	OEM: 8M6001249	Prestolite
70540	OEM: 81-64851	Prestolite V8

Solenoids & Starter Solenoids



72480	OEM: 25661T1	Solenoid
72370	OEM: 89-853654A1	Solenoid
72400	OEM: 89-96158T	Solenoid w/ Bent Base
72410	OEM: 65057T1	Solenoid
72390	OEM: 89-96054T	Solenoid w/ Flat Base
72360	OEM: 89-76416A1	Solenoid
72380	OEM: 89-818999A2	Solenoid
72470	OEM: 89-850188T1	Solenoid
72490	OEM: 33261	Starter Solenoid
72450	OEM: 809463A1	Starter Solenoid
72460	OEM: 89-18080	Starter Solenoid

Voltage Regulators & Alternator Bracket



72210	OEM: 78385	Voltage Regulator
72240	OEM: 42785	Voltage Regulator - Mando
72250	OEM: 808534T	Voltage Regulator - Prestolite
74009	OEM: 93175T	Alternator Bracket - GM 305 & 350 For use with No. 58990 Manifold Conversion Kit

IMPORTANT INFORMATION!

MerCruiser installs various makes of ignition distributors into the engines they sell. These are: Delco, Prestolite, Mallory & MerCruiser Thunderbolt. It is the customer's responsibility to know what distributor is in the boat being serviced.

NOTE: All 4 & 6-Cyl. Inline Engines use Delco Distributors. All V6 Engines with Breaker Points use Prestolite Distributors.

Ignition Coils



72122	OEM: 392-881732	8.1L (SN# OM315052 & Below)
72110	OEM: 392-806529A1	Used w/ Points Style Ignition & Resistor Wire. Use w/ External Resistor.
72115	OEM: 392-805570A2	Used w/ Thunderbolt IV & V. Use w/out External Resistor.

GLM to OEM INTERCHANGE

Points, Condensers, Rotors & Caps

Description	OEM No.	GLM No.
Points		
Prestolite 1-42V	70010	OEM: 392-6325
Delco 4 & 6 D108	70020	OEM: 34235
Delco V8	70030	OEM: 33700
Mallory 25042	70060	OEM: 391-5090
Prestolite	70040	OEM: 898253007
Condensers		
Prestolite 2-96	70510	OEM: 392-6324
Delco 4 & 6 D204	70530	OEM: 33662
Delco V8 / Mallory	70580	OEM: 8M6001217
Prestolite	70540	OEM: 81-64851
Rotors		
Delco 4 & 6 D423	71020	OEM: 58217
Delco V8	71010	OEM: 33707
Mallory 309	71040	OEM: 391-7057
Prestolite 4-101	71060	OEM: 392-0080
MerCruiser V6	72890	OEM: 13524A6
MerCruiser V8	72880	OEM: 13524T1
Prestolite	71030	OEM: 65864
Caps		
MerCruiser V6	71500	OEM: 13753A2
MerCruiser V8	71510	OEM: 16457A4
Delco 6	71530	OEM: 33765
Delco 4	71540	OEM: 393-9459
Delco V8	71520	OEM: 33708
Prestolite V8 3-142	71570	OEM: 293-6318
Mallory V8	71590	OEM: 391-5075T1
Prestolite V6 3-149	71600	OEM: 392-9086
Prestolite	71550	OEM: 393-4988T2

TOC
Manifolds-Merc.
Manifolds-OMC
Manifolds-Volvo
Manifolds-Bar
MerCruiser
Merc / Mar / For
OMC / Volvo
Johnson / Evin
Yamaha
Index / X-Ref.
Warranty

GLM Products, Inc.

DISTRIBUTOR ASSY. COMPONENTS APPLICATION - ELECTRONIC IGNITIONS

Model	# Cyl.	Ignition	Year	Serial No. Range	Distributor Assy.	Module / Sensor	Pick-Up Coil
3.0L/LX	181 / L4	EST	1990-2001	0C856559 & Up	-	73190	72130
175 / 4.3L (2 bbl.)	262 / V6	Thunderbolt IV	1987-1993	0B527955-0F000877	71240	-	N/A
185 (2 bbl.)	262 / V6	Thunderbolt IV	1985-1987	6919656-0B527954	71240	-	N/A
205/4.3LX (4 bbl.)	262 / V6	Thunderbolt IV	1985-1993	0A331455-0F001219	71240	-	N/A
4.3L (2 bbl.)	262 / V6	Thunderbolt IV	1993-1996	0F000878-0F802999	71240	-	N/A
4.3LX (4 bbl.)	262 / V6	Thunderbolt IV	1993-1996	0F001220-0F802999	71240	-	N/A
4.3LX / LXH Alpha (Gen+)	262 / V6	Thunderbolt IV	1996-1997	0F803000-0K999999	71240	-	N/A
4.3LX / LXH Bravo (Gen+)	262 / V6	Thunderbolt IV	1996-1997	0F803000-0K999999	71240	-	N/A
4.3L / LH Alpha (Gen+)	262 / V6	Thunderbolt IV	1998-2001	0L010044 & Up	71240	-	N/A
4.3L / LH Bravo (Gen+)	262 / V6	Thunderbolt IV	1998-2001	0L010044 & Up	71240	-	N/A
262 Mag. (TBI) (Gen+)	262 / V6	Delco	1996	0F803800-0F999999	-	73190	72130
262 Mag. (TBI) (Gen+)	262 / V6	Delco	1997	0K0015121-0K999999	-	73190	72130
4.3L EFI (Gen+) (TBI)	262 / V6	Delco	1998	0L012009-0L359999	-	73190	72130
4.3L EFI (Gen+) (TBI)	262 / V6	Mercury - HEI	1999-2001	0L360000 & Up	71240	-	N/A
898 / 198	305 / V8	Thunderbolt IV	1983-1984	6218462-6899057	71250	-	N/A
200 / 5.0L	305 / V8	Thunderbolt IV	1985-1986	6899058-0B525981	71250	-	N/A
200 / 5.0L	305 / V8	Thunderbolt IV (2)	1987-1995	0B525982-0F600999	71250	-	N/A
200 / 5.0L	305 / V8	Thunderbolt IV (1)	1987-1995	0B525982-0F600999	71250	-	N/A
228	305 / V8	Thunderbolt IV	1983-1984	6218462-6899268%	71250	-	N/A
230 / 5.0LX	305 / V8	Thunderbolt IV	1985-1986	6899269-0B525981	71250	-	N/A
230 / 5.0LX	305 / V8	Thunderbolt IV (2)	1987-1995	0B525982-0F600999	71250	-	N/A
230 / 5.0LX	305 / V8	Thunderbolt IV (2)	1987-1995	0B525982-0F600999	71250	-	N/A
5.0L Alpha (Gen+)	305 / V8	Thunderbolt V	1998-2001	0L015751 & Up	71250	-	N/A
5.0L Bravo (Gen+)	305 / V8	Thunderbolt V	1988-2001	0L015751 & Up	71250	-	N/A
5.0L EFI (Gen+)	305 / V8	Delco	1998	0L012052-0L331630	-	73190	72130
5.0L EFI (Gen+)	305 / V8	Delco	1998	0L0331651-0L339999	-	73190	72130
5.0L EFI (Gen+)	305 / V8	Mercury - HEI	1999-2001	0L331631-0L331650	71250	-	N/A
5.0L EFI (Gen+)	305 / V8	Mercury - HEI	1999-2001	0L340000 & Up	71250	-	N/A
230/5.0L MIE (LH)	305 / V8	Thunderbolt IV	1981-1986	5907058-0B522505	71250	-	N/A
230/5.0L MIE (RH)	305 / V8	Thunderbolt IV	1981-1986	5907058-0B522505	71250	-	N/A
230/5.0L MIE (LH)	305 / V8	Thunderbolt IV	1987	0B522506-0B788151	71250	-	N/A
230/5.0L MIE (RH)	305 / V8	Thunderbolt IV	1987	0B522506-0B788151	71250	-	N/A
225 MIE (GM)	327 / V8	Mallory	1968	2278647-2694014	N.L.A.	-	N/A
250 MCM & MIE	327 / V8	Mallory	1968-69	2314301-2639854	N.L.A.	-	N/A
260/5.7L	350 / V8	Thunderbolt IV	1982-1986	6218462-0B525981	71250	-	N/A
260/5.7 Alpha	350 / V8	Thunderbolt IV (2)	1987-1994	0B525982-0F273497	71250	-	N/A
260/5.7 Alpha	350 / V8	Thunderbolt IV (1)	1987-1994	0B525982-0F273497	71250	-	N/A
260/5.7 Alpha	350 / V8	Thunderbolt IV (2)	1994-1995	0F273498-0F600999	71250	-	N/A
260/5.7 Alpha	350 / V8	Thunderbolt IV (1)	1994-1995	0F273498-0F600999	71250	-	N/A
260/5.7 Bravo	350 / V8	Thunderbolt IV (2)	1987-1991	0B525982-0D617327	71250	-	N/A
260/5.7 Bravo	350 / V8	Thunderbolt IV (1)	1987-1991	0B525982-0D617327	71250	-	N/A
260/5.7 Bravo	350 / V8	Thunderbolt IV (2)	1992-1993	0D617328-0F353524	71250	-	N/A
260/5.7 Bravo	350 / V8	Thunderbolt IV (1)	1992-1993	0D617328-0F353524	71250	-	N/A
5.7L Alpha (2bbl.)	350 / V8	Thunderbolt V	1996-1997	0F601000-0K999999	71250	-	N/A
5.7LX Alpha (4 bbl.)	350 / V8	Thunderbolt V	1996-1997	0F601000-0K999999	71250	-	N/A
5.7L Alpha (Gen+)	350 / V8	Thunderbolt V	1998-2001	0L010037 & Up	71250	-	N/A
5.7 Bravo	350 / V8	Thunderbolt V	1994-1995	0F353525-0F600999	71250	-	N/A
5.7L Bravo (2 bbl.)	350 / V8	Thunderbolt V	1996-1997	0F601000-0K999999	71250	-	N/A
5.7LX Bravo (4 bbl.)	350 / V8	Thunderbolt V	1996-1997	0F601000-0K999999	71250	-	N/A
5.7L Bravo (Gen+)	350 / V8	Thunderbolt V	1998-2001	0L010037 & Up	71250	-	N/A
5.7L EFI	350 / V8	Delco	1995	0F225560-0F752399	-	73190	72130
5.7L EFI	350 / V8	Delco	1996-1997	0F752400-0K999999	-	73190	72130
5.7L EFI (Gen+)	350 / V8	Delco	1998	0L010035-0L325976	-	73190	72130
5.7L EFI (Gen+)	350 / V8	Delco	1998	0L326000-0L331598	-	73190	72130
5.7L EFI (Gen+)	350 / V8	Delco	1998	0L331992-0L335715	-	73190	72130
5.7L EFI (Gen+)	350 / V8	Delco	1998	0L336000-0L339999	-	73190	72130
5.7L EFI (Gen+)	350 / V8	Mercury - HEI	1999	0L325977-0L325999	71250	-	N/A
5.7L EFI (Gen+)	350 / V8	Mercury - HEI	1999	0L331599-0L331991	71250	-	N/A
5.7L EFI (Gen+)	350 / V8	Mercury - HEI	1999	0L335716-0L335999	71250	-	N/A
5.7L EFI (Gen+)	350 / V8	Mercury - HEI	1999-2001	0L340000 & Up	71250	-	N/A
5.7LX EFI	350 / V8	Delco	1996-1997	0F752400-0K999999	-	73190	72130

DISTRIBUTOR ASSY. COMPONENTS APPLICATION - ELECTRONIC IGNITIONS

Model	# Cyl.	Ignition	Year	Serial No. Range	Distributor Assy.	Module / Sensor	Pick-Up Coil
5.7LX Bravo EFI (Gen+)	350 / V8	Delco	1996	0F800300-0K001508	-	73190	72130
5.7LX Bravo EFI (Gen+)	350 / V8	Delco	1997	0K001509-0K999999	-	73190	72130
260/5.7L MIE (LH)	350 / V8	Thunderbolt IV	1981-1986	5907058-0B522505	71250	-	N/A
260/5.7L MIE (RH)	350 / V8	Thunderbolt IV	1981-1986	5907058-0B522505	71250	-	N/A
260/5.7L MIE (LH)	350 / V8	Thunderbolt IV	1987-1993	0B522506-0F024999	71250	-	N/A
260/5.7L MIE (RH)	350 / V8	Thunderbolt IV	1987-1993	0B522506-0F024999	71250	-	N/A
5.7L MIE	350 / V8	Thunderbolt IV (2)	1993-1995	0F025000-0F622099	71250	-	N/A
5.7L MIE	350 / V8	Thunderbolt IV (2)	1993-1995	0F025000-0F622099	71250	-	N/A
5.7L MIE	350 / V8	Thunderbolt IV	1995	0F622151-0F746099	71250	-	N/A
5.7L MIE	350 / V8	Thunderbolt IV	1996	0F622100-0F622150	71250	-	N/A
5.7L MIE	350 / V8	Thunderbolt IV	1996-1997	0F746100-0K999999	71250	-	N/A
5.7L MIE (Gen+)	350 / V8	Thunderbolt IV	1998-2001	0L002003 & Up	71250	-	N/A
5.7L EFI MIE (Gen+)	350 / V8	Delco	1997	0K040300-0K999999	-	73190	72130
5.7L Ski	350 / V8	Thunderbolt IV (2)	1987-1995	0B514627-0F775199	71250	-	N/A
5.7L Ski	350 / V8	Thunderbolt IV (1)	1987-1995	0B514627-0F775199	71250	-	N/A
5.7L Ski	350 / V8	Thunderbolt IV	1996-1997	0F775200-0K999999	71250	-	N/A
5.7L Ski	350 / V8	Thunderbolt IV	1998-2001	0L002005 & Up	71250	-	N/A
350 Mag Alpha	350 / V8	Thunderbolt IV	1986-1987	0A635178-0B525981	71250	-	N/A
350 Mag Alpha	350 / V8	Thunderbolt IV (2)	1987-1991	0B525982-0D617327	71250	-	N/A
350 Mag Alpha	350 / V8	Thunderbolt IV (1)	1987-1991	0B525982-0D617327	71250	-	N/A
350 Mag Alpha	350 / V8	Thunderbolt IV (2)	1992-1994	0D617328-0F353690	71250	-	N/A
350 Mag Alpha	350 / V8	Thunderbolt IV (1)	1992-1994	0D617328-0F353690	71250	-	N/A
350 Mag Alpha	350 / V8	Thunderbolt	1995-1997	0F353691-0F600999	71250	-	N/A
350 Mag Alpha	350 / V8	Thunderbolt IV	1996-1997	0F601000-0K999999	71250	-	N/A
350 Mag. Alpha EFI (Gen+)	350 / V8	Delco	1996	0F800300-0K001508	-	73190	72130
350 Mag. Alpha EFI (Gen+)	350 / V8	Delco	1997	0K001509-0K999999	-	73190	72130
350 Mag. Bravo MPI	350 / V8	Delco	1995	0F415189-0F601999	-	73190	72130
350 Mag. Bravo MPI (Gen+)	350 / V8	Delco	1996	0F602000-0K001500	-	73190	72130
350 Mag. Bravo MPI (Gen+)	350 / V8	Delco	1997	0F001501-0K999999	-	73190	72130
350 Mag. MPI (Gen+)	350 / V8	Delco	1998	0L010019-0L325952	-	73190	72130
350 Mag. MPI (Gen+)	350 / V8	Mercury - HEI	1999-2001	0L325953 & Up	71250	-	N/A
350 Mag. MPI MIE (Gen+)	350 / V8	Delco	1998-2001	0L002008-0L302199	-	73190	72130
350 Mag. MPI MIE (Gen+)	350 / V8	Mercury - HEI	1998-2001	0L302200 & Up	71250	-	N/A
350 Mag. Horizon MIE	350 / V8	Mercury - HEI	1999-2001	0L304700 & Up	71250	-	N/A
350 Mag. Ski	350 / V8	Thunderbolt IV (2)	1991-1996	0D505450-0K040399	71250	-	N/A
350 Mag. Ski	350 / V8	Thunderbolt IV (1)	1991-1996	0D505450-0K040399	71250	-	N/A
350 Mag. Ski	350 / V8	Thunderbolt V	1991-1997	0D505450-0K040399	71250	-	N/A
350 Mag. EFI Ski	350 / V8	Delco	1994-1996	0F215561-0F820706	-	73190	72130
350 Mag. EFI Ski	350 / V8	Delco	1994-1996	0F215561-0F820706	-	73190	72130
350 Mag. EFI Ski (Gen+)	350 / V8	Delco	1996	0F820707-0K040005	-	73190	72130
350 Mag. EFI Ski (Gen+)	350 / V8	Delco	1997	0K040006-0K999999	-	73190	72130
350 Mag. MPI Ski	350 / V8	Delco	1995-1996	0F350583-0F799999	-	73190	72130
350 Mag. MPI Ski	350 / V8	Delco	1995-1996	0F350583-0F799999	-	73190	72130
350 Mag. MPI Ski (Gen+)	350 / V8	Delco	1998	0L002600-0L304599	-	73190	72130
350 Mag. MPI Ski (Gen+)	350 / V8	Mercury - HEI	1999-2001	0L304600 & Up	71250	-	N/A
Black Scorpion Ski (Gen+)	350 / V8	Delco	1996	0F800000-0K040000	-	73190	72130
Black Scorpion Ski (Gen+)	350 / V8	Delco	1997-1998	0K040001-0K999999	-	73190	72130
Black Scorpion Ski (Gen+)	350 / V8	Delco	1999-2001	0L002700 & Up	-	73190	72130
300	350 / V8	Thunderbolt IV	1985-1986	6668677-0B430367	71250	-	N/A
320 EFI	350 / V8	Thunderbolt IV	1987-1989	0A543604-0C622418	71250	-	N/A
MX 6.2L MPI	377 / V8	Mercury - HEI	2000-2001	0L680003 & Up	71250	-	N/A
377 Scorpion MCM	377 / V8	Delco	1999-2000	0L416146 & Up	-	73190	72130
377 Scorpion Ski	377 / V8	Delco	1997-1998	0K000656 & Up	-	73190	72130
330	454 / V8	Thunderbolt IV	1982-1987	6083145-0B816540	71250	-	N/A
7.4L Bravo	454 / V8	Thunderbolt IV	1988-1991	0B771113-0D603117	71250	-	N/A
7.4L Bravo	454 / V8	Thunderbolt IV (2)	1992-1997	0D603118-0K999999	71250	-	N/A
7.4 Bravo I/II	454 / V8	Thunderbolt IV (1)	1992-1997	0D603118-0K999999	71250	-	N/A
7.4L Bravo III	454 / V8	Thunderbolt IV	1992-1997	0D683118-0K999999	71250	-	N/A
7.4L Bravo III	454 / V8	Thunderbolt V	1992-1996	0D603118-0F800699	71250	-	N/A
7.4L Bravo III	454 / V8	Thunderbolt V	1996-1997	0F800700-0K999999	71250	-	N/A
7.4LX Bravo EFI	454 / V8	Delco	1996-1997	0F820000-0K999999	-	73190	72130

GLM Products, Inc.

DISTRIBUTOR ASSY. COMPONENTS APPLICATION - ELECTRONIC IGNITIONS

Model	# Cyl.	Ignition	Year	Serial No. Range	Distributor Assy.	Module / Sensor	Pick-Up Coil
7.4LX Bravo MPI	454 / V8	Delco	1996	0F602010-0F801999	-	73190	72130
7.4LX Bravo MPI	454 / V8	Delco	1996	0F820000-0K147349	-	73190	72130
7.4LX Bravo MPI	454 / V8	Delco	1997	0K147350-0K999999	-	73190	72130
7.4L MPI (L29)	454 / V8	Delco	1998	0L010003-0L085005	-	73190	72130
7.4L MPI (L29)	454 / V8	Delco	1998-2001	0L085006 & Up	-	73190	72130
340/7.4L MIE	454 / V8	Thunderbolt IV	1981-1992	5889914-0D715493	71250	-	N/A
7.4L MIE	454 / V8	Thunderbolt IV (2)	1992-1996	0D715494-0F820141	71250	-	N/A
7.4L MIE	454 / V8	Thunderbolt IV (1)	1992-1996	0D715494-0F820141	71250	-	N/A
7.4L MIE	454 / V8	Thunderbolt V	1992-1996	0D715494-0K999999	71250	-	N/A
7.4L TBI MIE	454 / V8	Delco	1996-1997	0F874815-0K999999	-	73190	72130
7.4L MPI MIE	454 / V8	Delco	1995-1996	0F563052-0F820103	-	73190	72130
7.4L MPI MIE	454 / V8	Delco	1996	0F820104-0K146534	-	73190	72130
7.4L MPI MIE	454 / V8	Delco	1997	0K146535-0K999999	-	73190	72130
7.4L MPI MIE (L29)	454 / V8	Delco	1998	0L002006-0L086006	-	73190	72130
7.4L MPI MIE (L29)	454 / V8	Delco	1998-2001	0L086007 & Up	-	73190	72130
370 TRS	454 / V8	Thunderbolt IV	1985-1987	6721528-0B714586	71250	-	N/A
420	454 / V8	Thunderbolt IV	1987-1989	0A398941-0B622418	71250	-	N/A
450	454 / V8	Thunderbolt IV	1995-1996	0F347100-0F347277	71250	-	N/A
454 Mag. Alpha	454 / V8	Thunderbolt IV	1986-1988	0A631894-0B785148	71250	-	N/A
454 Mag. Bravo	454 / V8	Thunderbolt IV (2)	1988-1992	0B721206-0D805068	71250	-	N/A
454 Mag. Bravo	454 / V8	Thunderbolt IV (1)	1988-1992	0B721206-0D805068	71250	-	N/A
454 Mag. Bravo	454 / V8	Thunderbolt IV	1992-1994	0D805069-0F304999	71250	-	N/A
454 Mag. Bravo	454 / V8	Thunderbolt V	1992-1997	0D805069-0K999999	71250	-	N/A
454 EFI	454 / V8	Delco	1994-1996	0F115700-0F802349	-	73190	72130
454 EFI	454 / V8	Delco	1994-1996	0F115700-0F802349	-	73190	72130
454 Mag. MPI	454 / V8	Delco	1996	0F802350-0K147349	-	73190	72130
454 Mag. Ski	454 / V8	Delco	1997-1998	0K147350-0L085009	-	73190	72130
454 Mag. Ski	454 / V8	Delco	1998-2001	0L085010 & Up	-	73190	72130
454 Mag. MPI Horizon MIE	454 / V8	Delco	1998-2001	0L002200-0L086000	-	73190	72130
454 Mag. MPI Horizon MIE	454 / V8	Delco	1998-2001	0L086001 & Up	-	73190	72130
454 Mag. MPI Ski	454 / V8	Delco	1995-1996	0F215800-0F820099	-	73190	72130
454 Mag. MPI Ski	454 / V8	Delco	1996-1997	0F820100-0K999999	-	73190	72130
500	502 / V8	Thunderbolt IV	1994-1996	0F213293-0F745159	71250	-	N/A
500	502 / V8	Thunderbolt IV	1997-1998	0F745195-0L001772	71250	-	N/A
500 (Gen+)	502 / V8	Thunderbolt IV	1999-2000	0L414639 & Up	71250	-	N/A
500 EFI	502 / V8	Delco	1998-2000	0L001477 & Up	-	73190	72130
502 Mag.	502 / V8	Thunderbolt IV (2)	1990-1993	0C878221-0F114528	71250	-	N/A
502 Mag.	502 / V8	Thunderbolt IV (1)	1990-1993	0C878221-0F114528	71250	-	N/A
502 EFI	502 / V8	Delco	1993-1996	0D840650-0F802599	-	73190	72130
502 Mag. MPI	502 / V8	Delco	1996	0F802600-0K147349	-	73190	72130
502 Mag. MPI	502 / V8	Delco	1997-1998	0K147350-0L085000	-	73190	72130
502 Mag. MPI	502 / V8	Delco	1998	0L085001 & Up	-	73190	72130
8.2L MIE	502 / V8	Thunderbolt IV	1990-1992	0C878221-0D857199	71250	-	N/A
8.2L MIE	502 / V8	Thunderbolt IV (1)	1993-1996	0D857200-0F819619	71250	-	N/A
8.2L MIE	502 / V8	Thunderbolt V	1993-1996	0D857200-0F819619	71250	-	N/A
8.2L MPI MIE	502 / V8	Delco	1996	0F819620-0K145121	-	73190	72130
8.2L MPI MIE	502 / V8	Delco	1997-1998	0K145122-0L086012	-	73190	72130
8.2L MPI MIE	502 / V8	Delco	1998	0L086013 & Up	-	73190	72130
525 SC	502 / V8	Thunderbolt IV	1991-1995	0D456000-0F877734	71250	-	N/A
525 SC	502 / V8	Thunderbolt IV	1996-1997	0K000012 & Up	71250	-	N/A
575 Sci	502 / V8	Delco	200-2001	0L306696 & Up	-	73190	72130
600 SC	502 / V8	Thunderbolt IV	1991-1993	0D456489-0D763875	71250	-	N/A
600 SC	502 / V8	Thunderbolt IV	1993-1996	0D763876-0F877642	71250	-	N/A
600 SC	502 / V8	Thunderbolt IV	1997-2001	0K000227 & Up	71250	-	N/A
500 Bulldog	540 / V8	Thunderbolt IV	1990-1996	0C577003-0F745405	71250	-	N/A
500 Bulldog	540 / V8	Thunderbolt IV	1997-1998	0K000248-0L001607	71250	-	N/A
500 Bulldog	540 / V8	Thunderbolt IV	1999-2000	0L414620 & Up	71250	-	N/A
575	540 / V8	Thunderbolt IV	1986-1992	0A677429-0D763716	71250	-	N/A
800 SC	572 / V8	Thunderbolt IV	1993-1996	0D763836-0F877725	71250	-	N/A
800 SC	572 / V8	Thunderbolt IV	1997-2001	0K000223 & Up	71250	-	N/A

GLM Products, Inc.

STANDARD IGNITION APPLICATION

Model	Cyl.	Ignition	Year(s)	Serial No. Range	Coil	Cap	Tune-Up Kit	Points	Cond.	Rotor
110	L4	Delco	1963-66	1537370-2044033	72110	71540	72610	70020	70530	71020
120	L4	Delco	1964-74	1666601-3825578	72110	71540	72610	70020	70530	71020
120/2.5L	L4	Delco	1974-89	3825579-0C853255	72110	71540	72610	70020	70530	71020
140	L4	Delco	1968-74	2508261-3826282	72110	71540	72610	70020	70530	71020
140/3.0L	L4	Delco	1974-89	3826283-0C856558	72110	71540	72610	70020	70530	71020
3.0L/LX	L4	Prestolite	1990-95	0C856559-0F603999	72110	-	72650	70010	70510	71060
165/3.7L	L4	Delco	1987-89	0B434940 & Up	72110	71540	72610	70020	70530	71020
170	L4	Delco	1985-86	6916779-0B434940	72110	71540	72610	70020	70530	71020
180/3.7LX	L4	Delco	1987-89	0B436391 & Up	72110	71540	72610	70020	70530	71020
180/3.7LX	L4	Prestolite	1987-89	0B436391 & Up	72110	-	72650	70010	70510	71060
190	L4	Delco	1985-86	6916779-0B436390	72110	71540	72610	70020	70530	71020
470	L4	Delco	1976-84	4208730-6916778	72110	71540	72610	70020	70530	71020
485	L4	Delco	1980-82	5685394-6218036	72110	71540	72610	70020	70530	71020
488	L4	Delco	1983-84	6170297-6916778	72110	71540	72610	70020	70530	71020
140	L6	Delco	1963	1538930-1725960	N.L.A.	71530	72610	70020	70530	71020
150	L6	Delco	1964-66	1666495-2048046	N.L.A.	71530	72610	70020	70530	71020
160	L6	Delco	1967-69	2048022-2494926	72110	71530	72610	70020	70530	71020
160	L6	Delco	1969	2492927-2770031	72110	71530	72610	70020	70530	71020
165	L6	Delco	1970	2770032-2771483	72110	71530	72610	70020	70530	71020
165	L6	Delco	1971-81	2771484-5813433	72110	71530	72610	70020	70530	71020
200	L6	Delco	1969	2453769-2712072	72110	71530	72610	70020	70530	71020
185 (4 bbl.) (3.8L)	V6	Prestolite	1983-84	6330183-6919655	72110	71600	72650	70010	70510	71060
190 (GM 283)	V8	Delco	1963-64	1564539-1730903	72115	N.L.A.	72630	N.L.A.	N.L.A.	N.L.A.
215 MCM & MIE (Ford 302)	V8	Autolite	1970-72	2781153-3463181			72640	70040	70540	71030
215 MCM & MIE (Ford 302)	V8	Mallory	1970-72	2781153-3463181	72110	71590	72620	70060	70580	71040
225 MCM & MIE (Ford 302)	V8	Autolite	1973-74	3385721-4166999			72640	70040	70540	71030
225 MCM & MIE (Ford 302)	V8	Mallory	1973-74	3385721-4166999	72110	71590	72620	70060	70580	71040
225 MCM & MIE (Ford 302)	V8	Mercury	1973-74	3385721-4166999	72110	71550	72670	70050	70540	71030
888 (Ford 302)	V8	Mercury	1971-77	3108723-4887829			72670	70050	70580	71030
888 (Ford 302)	V8	Prestolite	1971-77	3108723-4887829	72110	71570	72660	70010	70510	71050
888 (Ford 302)	V8	Mallory	1971-77	3108723-4887829	72110	71590	72620	70060	70580	71040
888 (Ford 302)	V8	Autolite	1971-77	3108723-4887829			72640	70040	70540	71030
225 (GM 327)	V8	Delco	1963-69	1539620-2694014	72110	N.L.A.	72630	N.L.A.	N.L.A.	N.L.A.
228 MCM & MIE	V8	Mallory	1977-82	4765100-6218461	72110	71590	72620	70060	70580	71040
898/198 MCM & MIE	V8	Mallory	1977-82	4762210-6218461	72110	71590	72620	70060	70580	71040
225 MIE (GM 327)	V8	Mallory	1968	2278647-2694014	-	71550	71840			
233 MCM & MIE	V8	Mercury	1975-77	4173000-4902304	72110	71550	72670	70050	70540	71030
233 MCM & MIE	V8	Prestolite (clip)	1975-77	4173000-4902304	72110	71570	72660	70010	70510	71050
233 MCM & MIE	V8	Prestolite (screw)	1975-77	4173000-4902304	72110	71560	72650	70010	70510	71060
250 MCM & MIE (GM 327)	V8	Thunderbolt	1968-69	2314301-2639854	-	71550	71840			
250 (GM 350)	V8	Mallory	1977	4768000-4908849	72110	71590	72620	70060	70580	71040
255 MIE & MCM (Ford 351)	V8	Mallory	1973-80	3258728-5907057	72110	71590	72620	70060	70580	71040
255 MIE & MCM (Ford 351)	V8	Mercury	1973-80	3258728-5907057	72110	71590	72670	70050	70540	71030
255 (GM 350)	V8	Mallory	1975-76	3258728-4501254	72110	71590	72620	70060	70580	71040
255 (GM 350)	V8	Mercury	1976	4498701-4767999	72110	71550	72670	70050	70540	71030
260	V8	Mallory	1978-82	4908850-6218461	72110	71590	72620	70060	70580	71040
5.7L Ski	V8	Mallory	1985-95	0A338533-0F775199	72115	71510	72620	70060	70580	71040
5.7L Ski	V8	Prestolite	1985-95	0A338533-0F775199	-	71400	72650	70010	70510	71060
280 TRS	V8	Mallory	1976	4499391-4770199	72110	71590	72620	70060	70580	71040
330 MCM & MIE	V8	Mallory	1977-81	4623115-6083144	72110	71590	72620	70060	70580	71040

TOC

Manifolds-Merc.

Manifolds-OMC

Manifolds-Volvo

Manifolds-Bar

MerCruiser

Merc / Mar / For

OMC / Volvo

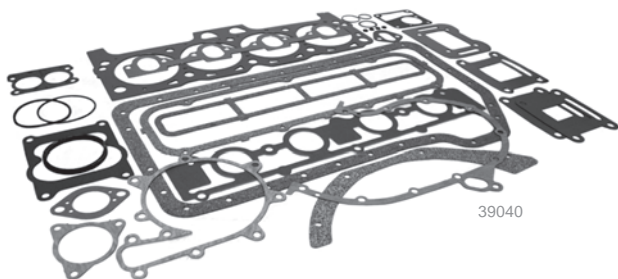
Johnson / Evin

Yamaha

Index / X-Ref.

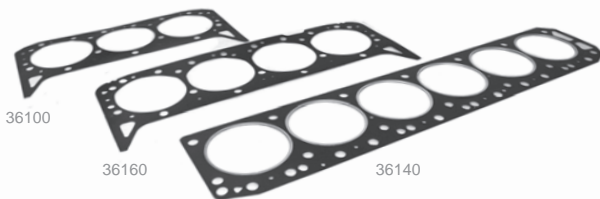
Warranty

Engine Overhaul Gasket Kits



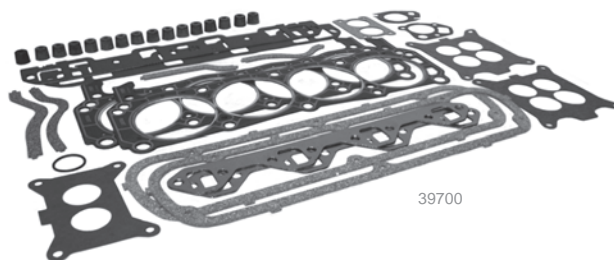
39050	OEM: 27-34273A88	GM 153 CID, 2.5L (1983-1989)
39011	OEM: 27-810846A05 + 27-52364A88	MCM 140/3.0L (1983-1989), MCM 3.0L/LX (1990 & Up)
39060	OEM: 27-801839	GM 181 CID, 3.0L (1968-1982)
39110	OEM: 27-74830A3	Merc 224, 3.7L 470 (1976-1984) & 485 (1980-1982)
39040	OEM: 27-43186A1	Merc 224 CID, 3.7L (1983-1989) except 470 (1983-1984)
39100	OEM: 27-801841	GM 250 CID, 4.0L, 160, 165HP
39650	OEM: 27-11977A92	Chevy 262 CID, 175, 185 & 205 HP (1992 & Before)
39012	OEM: 27-801842	4.3L
39013	OEM: 27-824326A93	4.3L/LX Gen II (1993-1995)
39014	OEM: 27-824326A96	4.3L (Gen+) (1996 & Up)
39030	OEM: 27-801857	Ford 302 CID, 5.0L
39010	OEM: 27-75611A86	GM 305/350, 5.0/5.7L (1986 & Before)
39017	OEM: 27-75611A88	MCM/MIE 200, 230, 260, 350 Mag, 5.0L/LX & 5.7L (1987-1995)
39016	OEM: 27-861246A05	5.0/5.7L (Gen+) (1998 & Up)
39018	OEM: 27-806871A96	MCM/MIE 260, 350 Mag, 5.7L/LX (1991-1997)
39019	OEM: 27-75611A96	MCM/MIE 5.7L/LX EFI, 350 Mag EFI (Gen+) (1996-1997)
39015	OEM: 27-801843	305/350, 5.0/5.7L (1986 & Before)
39020	OEM: 27-801853	GM 454 CID, 7.4L (1991 & Before)

Head Gaskets



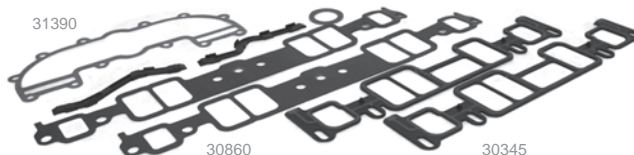
36130	OEM: 27-34273-1	Chevy 153 CID, 2.5L
36150	OEM: 27-52364	Chevy 181 CID, 3.0L
36120	OEM: 27-13709	MerCruiser 224 CID, 3.7L
36140	OEM: 27-47453	Chevy 250 CID, 6-Cyl., 4.1L
36100	OEM: 27-816460	Chevy 262 CID, V6, 4.3L
36170	OEM: 27-75647	Ford 302 CID, 5.0L
36160	OEM: 27-75611	Chevy 305/350 CID, 5.0L/5.7L
36180	OEM: 27-850470	Chevy Gen V & IV, 454 CID, 7.4L (1992 & Up)
36110	OEM: 27-8M0049045	Chevy Mark IV, 454 CID, 7.4L (1991 & Before)

Cylinder Head Gasket Kits



GM Gasket Kits	
39661	OEM: N/A 4-Cyl., 2.5L (1968-1982)
39662	OEM: N/A 4-Cyl., 3.0L (1968-1982)
39663	OEM: N/A 4-Cyl., 3.0L (1991 & Up)
39664	OEM: N/A 4-Cyl., 4.3L (1996 & Up)
39660	OEM: 27-47453A1 250 CID, 165 HP (SN# 2700032 & Up)
39651	OEM: N/A 262 CID, 175, 185 & 205 HP Same as No. 39650 w/o Oil Pan Gasket & Crank Seals.
39690	OEM: 27-75611A2 305/350, 898 (198HP), 200, 228, 230/260 Inboard, 230, 250, 255, 260, 280 & 5.7L Ski (1996 & Before)
39652	OEM: 27-75611A03 4-Cyl., 2.5L (1968-1982)
Ford Gasket Kits	
39680	OEM: 27-64763A2 351 CID, 233 HP (SN# 4173000-4500860)
39670	OEM: 27-56110A1 302 CID, 215 Inboard, 225 HP, 888 (188HP)
39700	OEM: 27-75647A1 302 CID, 888 (188HP) (SN# 461530 & Up)

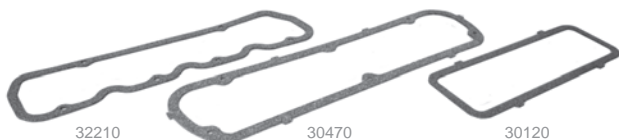
Intake Manifold Gasket Sets



31390	OEM: 27-35898T	110 / 120 HP
31550	OEM: 27-52546	Chevy 153 CID, 4-Cyl., 2.5L, 120 HP
33570	OEM: 27-96429	Chevy 153/181 CID, 4-Cyl., 2.5/3.0L, (1983-1995) nonLX
31570	OEM: 27-53354	Chevy 181 CID, 4-Cyl., 3.0L, (1968-1982)
33580	OEM: 27-815528	Chevy 4-Cyl.
31750	OEM: 27-70905	Merc. 224 CID, 3.7L
31440	OEM: 27-46401	Chevy Inline 6-Cyl., 250 CID, 165 HP
30345	OEM: 27-824326002	GM 4.3L (1996 & Up)
30349	OEM: N/A	GM 262 CID, 4.3L
30351	OEM: 27-11977	GM 262 CID, 4.3L
39200	OEM: 27-73042	Ford 302 CID, 5.0L (SN#4466390-4615129)
30860	OEM: 27-17145	GM 305/350 CID, 5.0/5.7L (1997 & Before)
30347	OEM: 27-807473A1	GM 5.0/5.7L (1996 & Up)
36280	OEM: 27-75645	Ford 351 CID, 5.8L
39170	OEM: 27-65184	GM 454 CID, 7.4L

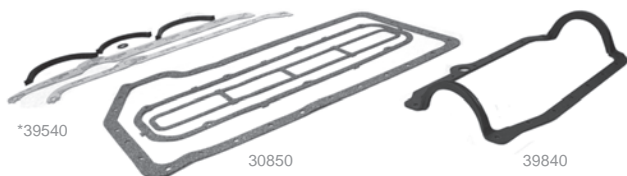
GLM Products, Inc.

Valve Cover & Lifter Side Cover Gaskets



Valve Cover Gaskets		
32210	OEM: 27-806452	GM 153/181 CID, 2.5/3.0L
31820	OEM: 27-73666	Merc. 224 CID, 3.7L
30340	OEM: 27-49936	GM 250 CID, 4.1L
30359	OEM: 27-11988	GM 262 CID, 4.3L
30356	OEM: 27-851040	GM 3.0L (1998 & Up)
30353	OEM: 27-11999	GM 305/350 CID, 5.0/5.7L Cork Gasket (1986 & Before)
30357	OEM: 27-17467	GM 305/350 CID, 5.0/5.7L Rubber Gasket (1987 & Up)
30470	OEM: 27-56173	Ford 302/351 CID, 5.0/5.8L
30350	OEM: 27-49121	Mark IV GM 454/502 CID, 7.4/8.2L
30358	OEM: 27-827154	GM 4.3L/LX/LH/LXH w/ Plastic Valve Cover (1996 & Up)
Lifter Side Cover Gaskets		
30100	OEM: 27-34208	120/140 CID, 4-Cyl. w/ Casting Cover
32640	OEM: 27-814703	120/140 CID, 4-Cyl. w/ Stamped Cover
30120	OEM: 27-34209	140/150/160/165 CID, 6-Cyl.

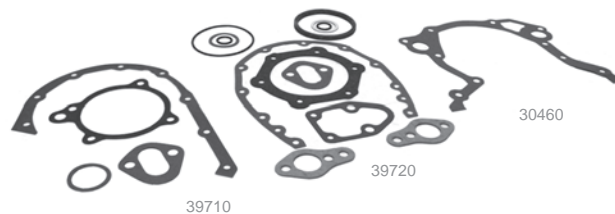
Oil Pan Gaskets



39470	OEM: 27-14901A1	GM 153/181 CID, 2.5L & 3.0L
30850	OEM: 27-72479A5	Merc. 224 CID, 3.7L
39460	OEM: 27-42797	GM 229 CID, V6, 3.8L
39130	OEM: 27-49949	GM 250, 160/165 Inline 6-Cyl., 4.1L
39840	OEM: 27-883964	GM 262 CID, V6, 4.3L
39860	OEM: 27-14247T1	GM 262 CID, V6, 4.3L
39850	OEM: 27-13865-1	GM 305/350 CID, 5.0/5.7L (1986 & Up)
39490	OEM: 27-52550	Mark IV GM 454/502 CID, 7.4/8.2L (1991 & Before)
*39540	OEM: 27-85817A1 27-90458A1	GM 262, 265, 267, 283, 302, 305, 327, 350 & 400 S.B. (1991 & Before)
39160	OEM: 27-64798	Ford 302 CID, 5.0L
39500	OEM: 27-75483	Ford 351 CID, 5.8L
30370	OEM: 27-49955	Drain Plug

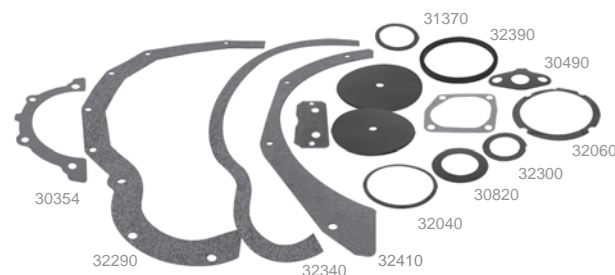
*Universal Type

Timing Chain Cover Gaskets



Timing Chain Cover Gasket Kits		
39710	OEM: 27-34213A2	Chevy 153/181 CID, 110, 120, 130 140, 150, 160 & 165 HP, 2.5/3.0L
39730	OEM: 27-42457A1	Chevy 262 CID, 175, 185 & 205 HP
39740	OEM: 27-54529A1	Mark IV, Chevy 454, 325, 330, 340 & 350 Inboard & 300 TRS (1991 & Before)
39720	OEM: 27-34895A2	Chevy 305/350 CID, 200, 225, 228, 230, 250, 255, 260, 270, 280 HP 898, (198HP) & 5.7L Ski (1997 & Before)
Timing Chain Cover Gaskets		
30360	OEM: 27-49953	4 & 6-Cyl. Chevy Timing Chain Cover
30530	OEM: 27-14250	Chevy V6 & V8 S.B. Timing Chain Cover (1997 & Before)
30440	OEM: 27-54529	Chevy 454 CID Timing Chain Cover (1991 & Before)
30460	OEM: 27-56108	Ford V8 Timing Chain Cover

Gaskets



32040	OEM: 391-5076	Mallory V8 Distributor Cap
31370	OEM: 27-34486-3	V6 & V8 Chevy Distributor Mounting
32300	OEM: 27-87707	4-Cyl. Distributor Mounting
32060	OEM: 27-805760	V6 & V8 T-Bolt Distributor Cap
30110	OEM: 27-34460	4 & 6-Cyl. Chevy Oil Pump Cover
30490	OEM: 27-56859	Oil Pump Mounting
32390	OEM: 27-91892	Oil Filter & Adapter
30820	OEM: 27-71614	224 MerCruiser Reservoir Cap Closed Cooling
31850	OEM: 27-75450	224 CID Heat Exchanger Cap
31830	OEM: 27-99960	224 CID Heat Exchanger End Cap
30200	OEM: 27-39947	120 Choke Cover
32290	OEM: 27-86015	Flywheel Housing Cover
32340	OEM: 27-88983	470, 170 HP Flywheel Housing Cover
30354	OEM: 27-14241	V6 305 & 350 CID Rear Main Seal Retainer Cover
32410	OEM: 27-94976	Flywheel Housing Cover

GLM Products, Inc.

Crank Shaft Seals One Piece



- 85780** OEM: 26-97335 All GM w/ Metal Timing Cover
One Piece - Front Main
- 85790** OEM: 26-14240 4.3/5.0/5.7L Standard Rotation
One Piece - Rear Main
(1986 & Up)

Crank Shaft Seals Two Piece



- 85490** OEM: 26-814622 Chevy (1985 & Before)
Two Piece - Rear Main
- 85960** OEM: 26-14756 7.4/8.2L (1991 & Before)
Two Piece - Rear Main
- 85980** OEM: 26-64796 Ford 351 CID Two Piece - Rear Main

ENGINE OVERHAUL GASKET KITS & COMPONENTS APPLICATION

Model	# Cyl.	Year(S)	Serial No. Range	Cylinder Head Gasket	Exhaust Manifold Gasket	Intake Manifold Gasket Sets	Oil Pan Gasket	Rocker Cover Gasket	Timing Cover Gasket	Overhaul Gasket Set
120	153 / L4	1964-1982	1666601-6229717	36130	31550	31550	39470	32210	30360	-
120	153 / L4	1983-1986	6229718-0B531853	36130	33570	33570	39470	32210	30360	39050
2.5L	153 / L4	1987-1989	0B531854-0C853255	36130	33570	33570	39470	32210	30360	39050
140	181 / L4	1968-1982	2508261-6229717	36150	31570	31570	39470	32210	30360	39060
140	181 / L4	1983-1986	6229718-0B450800	36150	33570	33570	39470	32210	30360	-
3.0L	181 / L4	1987-1989	0B450801-0C856558	36170	33570	33570	39470	32210	30360	-
3.0L	181 / L4	1990-1994	0C856559-0F353099	36150	33570	33570	-	32210	30360	-
3.0L	181 / L4	1998-2003	0L010042 & Up	36150	33580	33580	-	-	30360	-
3.0LX	181 / L4	1990-1997	0C856559-0K999999	36150	33580	33580	-	32210	30360	-
165	224 / L4	1987-1987	0B434941-0B774251	36120	31710	31750	30850	31820	39760	39040
170	224 / L4	1985-1986	6916779-0B434940	36120	31710	31750	30850	31820	39760	39040
180	224 / L4	1987-1987	0B436391-0B775248	36120	31710	31750	30850	31820	39760	39040
190	224 / L4	1985-1986	6916779-0B436390	36120	31710	31750	30850	31820	39760	39040
3.7L	224 / L4	1988-1989	0B774252-0C762299	36120	31710	31750	30850	31820	39760	39040
3.7LX	224 / L4	1988-1989	0B775249-0C762299	36120	31710	31750	30850	31820	39760	39040
470	224 / L4	1976-1984	4208730-6916778	36120	31710	31750	30850	31820	39760	39110
485	224 / L4	1980-1982	5685394-6218036	36120	31710	31750	30850	31820	39760	39110
488	224 / L4	1983-1984	6170297-6916778	36120	31710	31750	30850	31820	39760	39040
160	250 / L6	1967-1969	2048022-2770031	36140	31440	-	39130	30340	30360	39100
165 (6-Cyl.)	250 / L6	1970-1981	2770032-5813433	36140	31440	-	39130	30340	30360	39100
185 (4 bbl.)	229 / V6	1983-1984	6330183-6919655	36100	32170	N.L.A.	N.L.A.	N/A	30530	N/A
175	262 / V6	1987-1987	0B527955-0B773242	36100	32170	30351	39840	30359	30530	39650
185 (2 bbl.)	262 / V6	1985-1986	0A331455-0B527954	36100	32170	30351	39840	30359	30530	39650
205	262 / V6	1985-1986	0A331455-0B527954	36100	32170	30351	39840	30359	30530	39650
262 Mag EFI (Gen+)	262 / V6	1996-1997	0F803800-0K999999	36100	32170	-	-	30356	N.S.S.	39014
4.3L	262 / V6	1988-1992	0B773243-0D714106	36100	32170	30351	39840	30359	30530	39650
4.3L (Gen II)	262 / V6	1992-1993	0D714107-0F000877	36100	32170	-	39840	30359	-	39650
4.3L (Gen II)	262 / V6	1992-1993	0D714107-0F000877	36100	32170	-	39840	30359	-	39012
4.3L (Gen II)	262 / V6	1993-1995	0F000878-0F601126	36100	32170	-	39840	30359	-	39013
4.3L (Gen II)	262 / V6	1993-1995	0F000878-0F601126	36100	32170	-	39840	30359	-	39012
4.3L (Gen II)	262 / V6	1996-1996	0F601127-0F802999	36100	32170	-	39840	30356	N.S.S. (2)	39013
4.3L (Gen II)	262 / V6	1996-1996	0F601127-0F802999	36100	32170	-	39840	30356	N.S.S. (2)	39012
4.3L (Gen+)	262 / V6	1998-2003	0L010044 & Up	36100	32170	-	-	30356	N.S.S.	39014
4.3L EFI (Gen+)	262 / V6	1998-2003	0L012009 & Up	36100	32170	-	-	30356	N.S.S.	39014
4.3L MPI	262 / V6	2001-2003	0M300000 & Up	36100	32170	-	-	30356	N.S.S.	-
4.3LH (Gen+)	262 / V6	1998-2003	0L010044 & Up	36100	32170	-	-	30356	N.S.S.	39014
4.3LX	262 / V6	1988-1991	0B775130-0D714369	36100	32170	30351	39840	30359	30530	39650
4.3LX (Gen II)	262 / V6	1992-1993	0D714370-0F001219	36100	32170	-	39840	30359	-	39650
4.3LX (Gen II)	262 / V6	1992-1993	0D714370-0F001219	36100	32170	-	39840	30359	-	39012
4.3LX (Gen II)	262 / V6	1993-1995	0F001220-0F601126	36100	32170	-	39840	30359	-	39013
4.3LX (Gen II)	262 / V6	1993-1995	0F001220-0F601126	36100	32170	-	39840	30359	-	39012
4.3LX (Gen II)	262 / V6	1996-1996	0F601127-0F802999	36100	32170	-	39840	30356	N.S.S. (2)	39013
4.3LX (Gen II)	262 / V6	1996-1996	0F601127-0F802999	36100	32170	-	39840	30356	N.S.S. (2)	39012
4.3LX (Gen+)	262 / V6	1996-1997	0F803000-0K999999	36100	32170	-	-	30356	N.S.S.	39014
4.3LX (Gen+)	262 / V6	1996-1997	0F803114-0K999999	36100	32170	-	-	30356	N.S.S.	39014
215	302 / V8	1970-1972	2781153-3395720	36170	33790	39200	39160	30470	N.L.A.	39030
225 (Ford)	302 / V8	1973-1974	3385721-4166999	36170	33790	39200	39160	30470	N.L.A.	39030
225 S (Ford)	302 / V8	1974-1974	3836688-4166999	36170	33790	39200	39160	30470	N.L.A.	39030
888	302 / V8	1971-1977	3108723-4615129	36170	33790	39200	39160	30470	N.L.A.	39030



GLM Products, Inc.

ENGINE OVERHAUL GASKET KITS & COMPONENTS APPLICATION

Model	# Cyl.	Year(S)	Serial No. Range	Cylinder Head Gasket	Exhaust Manifold Gasket	Intake Manifold Gasket Sets	Oil Pan Gasket	Rocker Cover Gasket	Timing Cover Gasket	Overhaul Gasket Set
888	302 / V8	1977-1977	4615130-4887829	36170	33790	N.L.A.	39160	30470	N.L.A.	39030
190	283 / V8	1963-1964	1564539-1730903	36160	31100	N.L.A.	N.L.A.	30353	30530	39015
198 MIE	305 / V8	1977-1977	4762210-4931099	36160	31100	30860	39540	30353	30530	N.L.A.
198 MIE	305 / V8	1977-1977	4762210-4931099	36160	31100	30860	39540	30353	30530	N.L.A.
200	305 / V8	1985-1987	6899058-0B525981	36160	31100	30860	39540	30353	30530	39010
200	305 / V8	1985-1987	6899058-0B525981	36160	31100	30860	39850	30353	30530	39010
200	305 / V8	1987-1987	0B525982-0B774444	36160	31100	30860	39850	30357	30530	39010
200	305 / V8	1987	0B525982-0B774444	36160	31100	30860	39850	30357	30530	39017
228	305 / V8	1977-1982	4765100-6218461	36160	31100	30860	39540	30353	30530	N.L.A.
228	305 / V8	1977-1982	4765100-6218461	36160	31100	30860	39540	30353	30530	N.L.A.
228	305 / V8	1983-1984	6218462-6899268	36160	31100	30860	39540	30353	30530	39010
228	305 / V8	1983-1984	6218462-6899268	36160	31100	30860	39540	30353	30530	39010
228 MIE	305 / V8	1977-1980	4765100-5907057	36160	31100	30860	39540	30353	30530	39010
230	305 / V8	1985-1987	6899269-0B525981	36160	31100	30860	39540	30353	30530	39010
230	305 / V8	1985-1987	6899269-0B525981	36160	31100	30860	39850	30353	30530	39010
230	305 / V8	1987	0B525982-0B773739	36160	31100	30860	39850	30357	30530	39017
230 MIE	305 / V8	1981-1987	5907058-0B522505	36160	31100	30860	39540	30353	30530	39010
230 MIE	305 / V8	1981-1987	5907058-0B522505	36160	31100	30860	39850	30353	30530	39010
230 MIE	305 / V8	1987	0B522506-0C396832	36160	31100	30860	39850	30357	30530	39017
5.0L	305 / V8	1988-1955	0B774445-0F600999	36160	31100	30860	39850	30357	30530	39017
5.0L	305 / V8	1988-1995	0B774445-0F600999	36160	31100	30860	39850	30357	30530	39017
5.0L Gen+	305 / V8	1998-2003	0L015751 & Up	36160	31100	39540	39940	30357	N.S.S.	39016
5.0 EFI Gen+	305 / V8	1998-2003	0L012052 & Up	36160	31100	39540	39940	30357	N.S.S.	39016
5.0L MIE	305 / V8	1988	0B788152-0C396832	36160	31100	30860	39850	30357	30530	39017
5.0L MPI	305 / V8	2001-2003	0M300000 & Up	-	31100	39540	39940	30357	N.S.S.	39016
5.0LX	305 / V8	1988-1995	0B773740-0F600999	36160	31100	30860	39850	30357	30530	39017
898	305 / V8	1977-1982	4762210-6218461	36160	31100	30860	39540	30353	30530	N.L.A.
898	305 / V8	1983-1984	6218462-6899057	36160	31100	30860	39540	30353	30530	39010
898	305 / V8	1983-1984	6218462-6899057	36160	31100	30860	39540	30353	30530	39010
225 GM (LH)	327 / V8	1963-1969	1539620-2595696	36160	31100	N.L.A.	N.L.A.	30353	30530	39015
225 GM (RH)	327 / V8	1963-1969	1539620-2595696	36160	31100	N.L.A.	N.L.A.	30353	30530	N.L.A.
225 GM (LH)	327 / V8	1969-1969	2595697-2694014	36160	31100	-	N.L.A.	30353	30530	39015
225 GM (RH)	327 / V8	1969-1969	2595697-2694014	36160	31100	-	N.L.A.	30353	30530	N.L.A.
250 (LH)	327 / V8	1968-1969	2314301-2557817	36160	31100	N.L.A.	N.L.A.	30353	30530	39015
250 (RH)	327 / V8	1968-1969	2314301-2557817	36160	31100	N.L.A.	N.L.A.	30353	30530	N.L.A.
250 (LH)	327 / V8	1969-1969	2557818-2639854	36160	31100	-	N.L.A.	30353	30530	39015
250 (RH)	327 / V8	1969-1969	2557818-2639854	36160	31100	-	N.L.A.	30353	30530	N.L.A.
250	350 / V8	1977-1977	4768000-4908849	36160	31100	30860	39540	30353	30530	39010
250	350 / V8	1977-1977	4768000-4908849	36160	31100	30860	39540	30353	30530	39015
255 (GM)	350 / V8	1975-1975	4175500-4498700	36160	31100	30860	N.L.A.	30353	30530	39010
255 (GM)	350 / V8	1975-1975	4175500-4498700	36160	31100	30860	N.L.A.	30353	30530	39015
255 (GM)	350 / V8	1976-1976	4498701-4767999	36160	31100	30860	39540	30353	30530	39010
255 (GM)	350 / V8	1976-1976	4498701-4767999	36160	31100	30860	39540	30353	30530	39015
255 MIE	350 / V8	1975-1980	4175500-5907057	36160	31100	30860	39540	30353	30530	39010
260	350 / V8	1978-1982	4908850-6218461	36160	31100	30860	39540	30353	30530	39010
260	350 / V8	1978-1982	4908850-6218461	36160	31100	30860	39540	30353	30530	39015
260	350 / V8	1983-1986	6218462-0B525981	36160	31100	30860	39540	30353	30530	39010
260	350 / V8	1983-1986	6218462-0B525981	36160	31100	30860	39850	30353	30530	39015
260	350 / V8	1987	0B525982-0B773304	36160	31100	30860	39850	30357	30530	39017
260 MIE	350 / V8	1981-1986	5907058-0B522505	36160	31100	30860	39850	30353	30530	39010
260 MIE	350 / V8	1981-1986	5907058-0B522505	36160	31100	30860	39540	30353	30530	39010
270	350 / V8	1969-1972	2851074-3077735	36160	31100	-	N.L.A.	30353	30530	N/A
280	350 / V8	1975-1975	4176250-4499390	36160	31100	30860	N.L.A.	30353	30530	N/A
280	350 / V8	1876-1976	4499391-4770199	36160	31100	30860	39540	30353	30530	N/A
300	350 / V8	1985-1986	6668677-0B430367	36160	31100	30860	39850	N.L.A.	30530	N.L.A.
300	350 / V8	1985-1986	6668677-0B430367	36160	31100	30860	39540	N.L.A.	30530	N.L.A.
320 EFI	350 / V8	1987-1989	0A543604-0C622418	36160	31100	30860	39850	N.L.A.	30530	N.L.A.
350 Mag Alpha	350 / V8	1986-1986	0A635178-0B525981	36160	31100	30860	39850	30353	30530	39010
350 Mag Alpha	350 / V8	1987-1995	0B525982-0F600999	36160	31100	30860	39850	30357	30530	39017
350 Mag Alpha	350 / V8	1996-1997	0F601000-0K999999	36160	31100	30860	39940	30357	N.S.S.	39018
350 Mag Alpha EFI (Gen+)	350 / V8	1996-1997	0F800300-0K999999	36160	31100	39540	39940	30357	N.S.S.	39019
350 Mag Bravo MPI	350 / V8	1995-1995	0F415189-0F601999	36160	31100	-	39850	30357	30530	-
350 Mag Bravo MPI (Gen+)	350 / V8	1996-1997	0F602000-0K999999	36160	31100	-	39940	30357	N.S.S.	-
350 Mag EFI Ski	350 / V8	1994-1996	0F215561-0F820706	36160	31100	30860	39940	30357	N.S.S.	39018
350 Mag EFI Ski (Gen+)	350 / V8	1996-1997	0F820707-0K999999	36160	31100	-	39940	30357	N.S.S.	39019

GLM Products, Inc.

ENGINE OVERHAUL GASKET KITS & COMPONENTS APPLICATION

Model	# Cyl.	Year(S)	Serial No. Range	Cylinder Head Gasket	Exhaust Manifold Gasket	Intake Manifold Gasket Sets	Oil Pan Gasket	Rocker Cover Gasket	Timing Cover Gasket	Overhaul Gasket Set
350 Mag MPI (Gen+)	350 / V8	1998-2001	0L010019-0M299999	36160	31100	-	39940	30357	N.S.S.	-
350 Mag MPI (Gen+)	350 / V8	2001-2003	0M300000 & Up	-	31100	-	39940	30357	N.S.S.	39016
350 Mag MPI Horizon	350 / V8	2001-2003	0M300000 & Up	-	31100	-	39940	30357	N.S.S.	39016
350 Mag MPI Horizon MIE (Gen+)	350 / V8	1999-2001	0L304700-0M299999	36160	31100	39540	39940	30357	N.S.S.	-
350 Mag MPI Horizon MIE (Gen+)	350 / V8	2001-2003	0M300000 & Up	-	31100	-	39940	30357	N.S.S.	39016
350 Mag MPI MIE (Gen+)	350 / V8	1998-2001	0L002008-0M299999	36160	31100	-	39940	30357	N.S.S.	-
350 Mag MPI MIE (Gen+)	350 / V8	2001-2003	0M300000 & Up	-	31100	-	39940	30357	N.S.S.	39016
350 Mag MPI Ski	350 / V8	1995-1996	0F350583-0F799999	36160	31100	30860	39940	30357	N.S.S.	-
350 Mag MPI Ski (Gen+)	350 / V8	1998-2003	0L002600 & Up	36160	31100	-	39940	30357	N.S.S.	-
350 Mag Ski	350 / V8	1991-1997	0D505450-0K999999	36160	31100	30860	39940	30357	N.S.S.	39018
5.7L	350 / V8	1988-1995	0B773305-0F600999	36160	31100	30860	39850	30357	30530	39018
5.7L	350 / V8	1996-1997	0F601000-0K999999	36160	31100	30860	39940	30357	N.S.S.	39018
5.7L (Gen+)	350 / V8	1998-2003	0L010037 & Up	36160	31100	-	39940	30357	N.S.S.	39016
5.7L EFI	350 / V8	1995	0F225560-0F752399	36160	31100	30860	39850	30357	30530	39017
5.7L EFI	350 / V8	1996-1997	0F752400-0K999999	36160	31100	30860	39940	30357	N.S.S.	39018
5.7L EFI (Gen+)	350 / V8	1998-2003	0L010035 & Up	36160	31100	-	39940	30357	N.S.S.	39016
5.7L EFI MIE (Gen+)	350 / V8	1997	0K040300-0K999999	36160	31100	-	39940	30357	N.S.S.	39019
5.7L MIE	350 / V8	1987-1995	0B522506-0F622099	36160	31100	30860	39850	30357	30530	39017
5.7L MIE	350 / V8	1995	0F622151-0F746099	36160	31100	30860	39850	30357	30530	39017
5.7L MIE	350 / V8	1996	0F622100-0F622150	36160	31100	30860	39940	30357	N.S.S.	39018
5.7L MIE	350 / V8	1996-1997	0F746100-0K999999	36160	31100	30860	39940	30357	N.S.S.	39018
5.7L MIE (Gen+)	350 / V8	1998-2003	0L002003 & Up	36160	31100	-	39940	30357	N.S.S.	-
5.7L Comp Ski	350 / V8	1985-1986	0A338553-0B514626	36160	31100	30860	39540	30353	30530	39010
5.7L Comp Ski	350 / V8	1985-1986	0A338553-0B514626	36160	31100	30860	39850	30353	30530	39010
5.7L Comp Ski	350 / V8	1987-1995	0B514627-0F775199	36160	31100	30860	39850	30357	30530	39017
5.7L Comp Ski	350 / V8	1996-1997	0F775200-0K999999	36160	31100	30860	39940	30357	N.S.S.	39018
5.7L Comp Ski (Gen+)	350 / V8	1998-2002	0L002005 & Up	36160	31100	30860	39940	30357	N.S.S.	39018
5.7LX	350 / V8	1996-1997	0F601000-0K999999	36160	31100	30860	39940	30357	N.S.S.	39018
5.7LX Bravo EFI (Gen+)	350 / V8	1996-1997	0F800300-0K999999	36160	31100	39540	39940	30357	N.S.S.	39019
5.7LX EFI	350 / V8	1996-1997	0F752400-0K999999	36160	31100	30860	39940	30357	N.S.S.	39018
Black Scorpion Ski (Gen+)	350 / V8	1996-2003	0F800000 & Up	36160	31100	-	39940	30357	N.S.S.	-
233	351 / V8	1975-1975	4173000-4465029	36170	33790	36280	N.L.A.	30470	N.L.A.	N/A
233	351 / V8	1976-1977	4465030-4902304	36170	33790	36280	39500	30470	N.L.A.	N/A
255 (Ford)	351 / V8	1973-1974	3258728-4175499	36170	33790	-	N.L.A.	30470	N.L.A.	N/A
377 Scorpion MCM	377 / V8	2000-2003	0L416146 & Up	36160	31100	-	39940	30357	N.S.S.	-
377 Scorpion Ski (Gen+)	377 / V8	1997-1998	0K000656 & Up	36160	31100	-	39940	30357	N.S.S.	-
MX 6.2L MPI	377 / V8	2000-2001	0L680003 & Up	36160	31100	-	39940	30357	N.S.S.	-
MX 6.2L MPI	377 / V8	2001-2003	0M300000 & Up	-	31100	-	39940	30357	N.S.S.	-
MX 6.2L MPI Horizon	377 / V8	2001-2003	0M300000 & Up	-	31100	-	39940	30357	N.S.S.	-
MX 6.2L MPI Horizon MIE	377 / V8	2001-2003	0M300000 & Up	-	31100	-	39940	30357	N.S.S.	-
MX 6.2L MPI MIE	377 / V8	2001-2003	0M300000 & Up	-	31100	-	39940	30357	N.S.S.	-
325	427 / V8	1969-1972	2278747-3640670	36110	33760	N.L.A.	39490	30350	30440	N/A
325	427 / V8	1972-1972	3640671-3780449	N.L.A.	33760	39170	39490	30350	30440	N/A
330	454 / V8	1977-1981	4623115-6083144	36110	33760	39170	39490	30350	30440	39020
330	454 / V8	1982-1987	6083145-0B816540	36110	33760	39170	39490	30350	30440	-
330 MIE	454 / V8	1977-1980	4623115-5889913	36110	33760	39170	39490	30350	30440	-
330 MIE	454 / V8	1977-1980	4623115-5889913	36110	33760	39170	39490	30350	30440	39020
340 MIE w/B-W	454 / V8	1981-1987	5889914-0B788365	36110	33760	39170	39490	30350	30440	-
340 MIE w/B-W	454 / V8	1981-1987	5889914-0B788365	36110	33760	39170	39490	30350	30440	39020
350 MIE	454 / V8	1974-1976	3780450-4623109	N.L.A.	33760	39170	39490	30350	30440	39020
370 TRS	454 / V8	1978-1985	4179554-6721527	36110	33760	-	39490	30350	30440	-
370 TRS	454 / V8	1985-1987	6721528-0B714586	36110	33760	-	39490	30350	30440	N.L.A.
400 TRS	454 / V8	1980-1986	4179554-0B457644	36110	33760	-	39490	30350	30440	-
420	454 / V8	1987-1989	0A398941-0B622418	36110	33760	-	39490	-	30440	-
425	454 / V8	1990-1992	0B622419-0D725499	36110	33760	-	39490	-	30440	-
425 (Gen V)	454 / V8	1992-1993	0F725500-0D937011	-	33760	-	-	-	-	-
440 TRS	454 / V8	1983-1986	4179554-0B485220	36110	33760	-	39490	-	-	N.L.A.
450 (Gen V)	454 / V8	1995-1996	0F347100-0F347277	-	33760	-	-	-	-	-
454 Mag Alpha	454 / V8	1986-1988	0A631894-0B785148	36110	33760	39170	39490	30350	30440	-
454 Mag Alpha	454 / V8	1986-1988	0A631894-0B785148	36110	33760	39170	39490	30350	30440	39020
454 Mag Bravo	454 / V8	1988-1992	0B721206-0D805068	36110	33760	-	39490	30350	30440	-
454 Mag Bravo (Gen V)	454 / V8	1992-1994	0D805069-0F304999	36180	33760	-	-	30358	-	-
454 Mag Bravo (Gen V)	454 / V8	1995-1996	0F305000-0F801699	36180	33760	-	-	30358	-	-
454 Mag Bravo (Gen V)	454 / V8	1996-1997	0F801700-0K999999	36180	33760	-	-	30358	-	-
454 Mag EFI (Gen V)	454 / V8	1994-1996	0F115700-0F802349	36180	33760	-	-	30358	-	-

GLM Products, Inc.

TOC

Manifolds-Merc.

Manifolds-OMC

Manifolds-Volvo

Manifolds-Barr

MerCruiser

Merc / Mar / For

OMC / Volvo

Johnson / Evin

Yamaha

Index / X-Ref.

Warranty

Bearing Retainer Wrench



90100 OEM: 91-17256 Installs & removes drive shaft bearing retainer on MC-1 / R / MR / Alpha One / Alpha One Gen II / Blackhawk & Bravo

Drive Gear Shimming Tool



90170 OEM: 91-60523 Measures upper drive gear clearance on MC-1 / R / MR / Alpha One & Alpha One Gen II

Shift Cable Tool



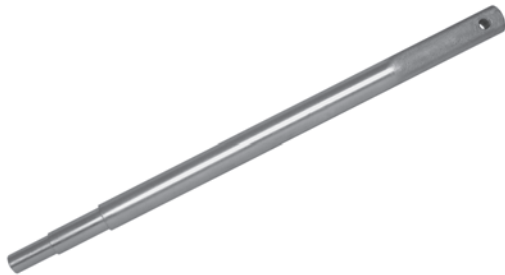
90110 OEM: 91-12037 Installs & removes shift cables on MC-1 / R / MR / Alpha One & Alpha One Gen II

Driven Gear Shimming Tool



90180 OEM: 91-60526T Measures upper driven gear clearance on MC-1 / R / MR / Alpha One & Alpha One Gen II

Engine Alignment Tool



90050 OEM: 91-805475A1 Aligns engine & drive unit during installation

Hinge Pin Tool



90200 OEM: 91-78310 Removes & installs hinge pins on MerCruiser drive units during installation

Bellows Expander Tool

Scissor handle with vinyl grip & opens with screw lock. GLM Original Design!



90360 OEM: 91-45497A1 Installs exhaust bellows on MC-1 / R / MR / Alpha One / Alpha One Gen II / Blackhawk & Bravo drive units.

Bellow Sleeve Installer



90470 OEM: 91-818162 Install sleeves on exhaust bellows on Alpha One Gen II & Bravo.

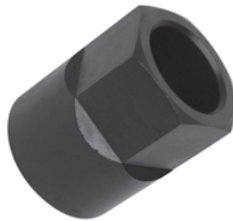
GLM Products, Inc.

Pinion Nut Adaptor Kit

90210 OEM: 91-61067A04 Holds pinion nut when removing pinion gear & drive shaft on MC-1 / R / MR / Alpha One & Alpha One Gen II. Comes with 90220 D.S. Adaptor.

Pinion Gear Shimming Tool

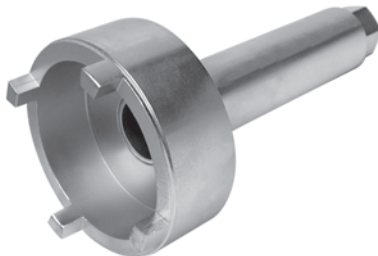
90160 OEM: 91-56048001 Measures pinion height of MC-1 / R / MR / Alpha One & Alpha One Gen II drive units.

Drive Shaft Adaptor

90220 OEM: 91-56775T Provides a wrench surface to turn the drive shaft on MC-1 / R / MR / Alpha One & Alpha One Gen II drive units.

Prop Shaft / Drive Shaft Adaptor

90230 OEM: 91-61077T Provides a wrench surface to turn the propeller shaft on MC-1 / R / MR / Alpha One / Alpha Alpha One Gen II / Bravo & TRS drive units. (Use as a Drive Shaft Adaptor for Bravo, Blackhawk & TRS drive units.)

Bearing Carrier Retainer Wrench

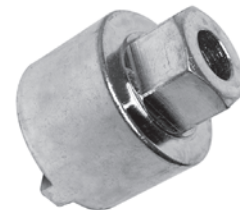
90190 OEM: 91-61069T Removes & installs bearing carrier retainer nuts on MC-1 / R / MR / Alpha One / Alpha Alpha One Gen II / Bravo I & TRS drive units

Bearing Carrier Retainer Wrench

90490 OEM: 91-17257 + 90-805374-1 Removes & installs bearing carrier retainer nuts on Bravo II & Bravo III drive units.

Drive Shaft Bearing Retainer Wrench

90240 OEM: 91-43506T Removes & Installs threaded bearing retainer on MR / Alpha One / Alpha One Gen II sterndrives

Shift Shaft Bushing Tool

90140 OEM: 91-31107T Removes & Installs the shift shaft bushing in the gear case of MC-1 / R / MR / Alpha One drive units.

TOC

Manifolds-Merc.

Manifolds-OMC

Manifolds-Volvo

Manifolds-Barr

MerCruiser

Merc / Mar / For

OMC / Volvo

Johnson / Evin

Yamaha

Index / X-Ref.

Warranty

TOC

Manifolds-Merc.

Manifolds-OMC

Manifolds-Volvo

Manifolds-Barr

MerCruiser

Merc / Mar / For

OMC / Volvo

Johnson / Evin

Yamaha

Index / X-Ref.

Warranty

Pinion Bearing Removal & Installation Tool Assembly Kit



90295 OEM: N/A Pinion Bearing Tool Assembly Kit
Installs & removes pinion bearing on MC-1 / R / MR / Alpha One & Alpha One Gen II drive units

Pinion Bearing Installation Tool



90260 OEM: 91-38628T GLM's new tool more precisely fits pinion bearing to avoid crooked seating

Driver Head



90270 OEM: 91-36569T Removes pinion bearing on MC-1 / R / MR / Alpha One & Gen II

Puller Rod



90280 OEM: 91-31229 Installs & removes pinion bearing
Used with No. 90260 & 90270

Spacer



90290 OEM: N/A Installs pinion bearing
Fits No. 90280

Universal Puller Plate



90150 OEM: 91-37241 Pulls gears & bearings.

Prop & Bearing Carrier Puller

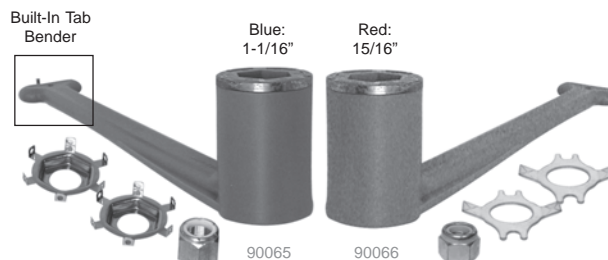
TOES IN
For prop & old style bearing carrier.



TOES OUT
For new style bearing carrier.

90095 OEM: N/A For MerCruiser all style bearing carrier and most prop. (5 ton min.)

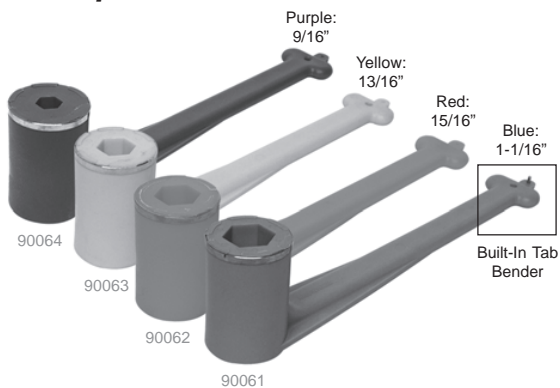
Prop Wrench Kits



90065 OEM: 91-8218871 Color Coded: Blue - 1-1/16"
For All MerCruiser, Mercury / Mariner / Force V4 & V6 & Honda BF75-BF130. With Built In Tab bender

90066 OEM: 91-856639A1 Color Coded: Red - 15/16"
For Mercury / Mariner / Force Outboard 30-65 HP, 70 HP 3-Cyl. (1989 & Before), 15-25 HP 4-Stroke

Prop Wrenches - Color Coded



90061 OEM: 91-859046M4 Color Coded: Blue - 1-1/16"
With Built In Tab bender

90062 OEM: 91-859046M3 Color Coded: Red - 15/16"

90063 OEM: 91-859046M2 Color Coded: Yellow - 13/16"

90064 OEM: 91-859046M1 Color Coded: Purple - 9/16"

GLM Products, Inc.

OIL SEALS SHAFT & BORE SIZE

Table By OEM Numbers

GLM No.	OEM No.	Shaft Size	Bore Size	GLM No.	OEM No.	Shaft Size	Bore Size
85700	26-12224	1.1875	1.6875	85440	26-55682	1.0000	1.2500
85820	26-12709	0.5000	0.6875	85460	26-56397	0.7500	1.1250
85130	26-14077	1.1875	1.6875	85480	26-56788	0.8750	1.2500
85790	26-14240	3.7500	4.5000	85500	26-62818	1.6250	2.2500
85040	26-16977	0.8750	1.2500	85022	26-864319	0.8750	1.3750
86730	26-18816	1.6875	2.2500	85120	26-69188	0.8750	1.2500
86590	26-20070	0.6250	1.0000	85520	26-69189	0.8750	1.3125
85210	26-23517	0.7500	1.2500	85530	26-70081	1.1875	1.7500
85680	26-24590	0.3750	0.5625	85810	26-72785	0.7500	1.8750
85110	26-26226	1.0000	1.5000	85130	26-76868	1.1875	1.6875
85100	26-26805	0.6875	1.1250	85580	26-79831	0.7500	1.1250
85100	26-27163	0.6875	1.1250	85370	26-805080	2.5000	3.1875
85260	26-30530	0.5625	1.0000	85581	26-816646-1	0.3750	0.7500
85270	26-30913	0.4375	0.8360	85510	26-821092	1.5000	2.2500
85290	26-32121	0.7500	1.0000	85030	26-823894	2.2500	3.0000
85020	26-32511	1.2500	2.0000	85050	26-89236-1	0.3750	0.7500
85440	26-32911	1.0000	1.2500	85070	26-89238	0.8750	1.5000
85330	26-33467	0.6250	1.1250	85080	26-90562	0.7500	1.2500
85160	26-43035	1.0312	1.4688	85600	26-94038	1.0000	1.5000
85170	26-43036	1.0312	1.4688	85610	26-96063	0.4375	0.8750
85010	26-41953	1.1875	1.8750	85060	26-96503-1	0.8750	1.3750
85140	26-45577-1	0.3125	0.4375	85100	26-99325	0.6875	1.1250
85380	26-45587	0.3750	0.6250				
85800	26-48443	0.7500	1.3750				

Table By Shaft Size

GLM No.	OEM No.	Shaft Size	Bore Size	GLM No.	OEM No.	Shaft Size	Bore Size
85140	26-45577-1	0.3125	0.4375	85060	26-96503-1	0.8750	1.3750
85050	26-89236-1	0.3750	0.7500	85070	26-89238	0.8750	1.5000
85380	26-45587	0.3750	0.6250	85120	26-69188	0.8750	1.2500
85581	26-816646-1	0.3750	0.7500	85480	26-56788	0.8750	1.2500
85680	26-31249	0.3750	0.5625	85520	26-69189	0.8750	1.3125
85270	26-30913	0.4375	0.8360	85110	26-26226	1.0000	1.5000
85610	26-96063	0.4375	0.8750	85440	26-32911	1.0000	1.2500
85820	26-12709	0.5000	0.6875	85440	26-55682	1.0000	1.2500
85260	26-30530	0.5625	1.0000	85600	26-94038	1.0000	1.5000
85330	26-33467	0.6250	1.1250	85170	26-43036	1.0312	1.4688
86590	26-20070	0.6250	1.0000	85160	26-43035	1.0312	1.4688
85100	26-26805	0.6875	1.1250	85010	26-41953	1.1875	1.8750
85100	26-27163	0.6875	1.1250	85130	26-14077	1.1875	1.6875
85100	26-99325	0.6875	1.1250	85130	26-76868	1.1875	1.6875
85080	26-90562	0.7500	1.2500	85530	26-70081	1.1875	1.7500
85210	26-23517	0.7500	1.2500	85700	26-12224	1.1875	1.6875
85290	26-32121	0.7500	1.0000	85020	26-32511	1.2500	2.0000
85460	26-56397	0.7500	1.1250	85510	26-821092	1.5000	2.2500
85580	26-79831	0.7500	1.1250	85500	26-62818	1.6250	2.2500
85800	26-48443	0.7500	1.3750	86730	26-18816	1.6875	2.2500
85810	26-72785	0.7500	1.8750	85030	26-823894	2.2500	3.0000
85022	26-864319	0.8750	1.3750	85370	26-805080	2.5000	3.1875
85040	26-16977	0.8750	1.2500	85790	26-14240	3.7500	4.5000

GLM Products, Inc.

OIL SEALS APPLICATION

Model	Serial No. Range	GLM No.	Qty.	Model	Serial No. Range	GLM No.	Qty.
MR, Alpha I	6225577 - To Date	85130 (A)	2	160/165	2065190 - To Date	85050 (D)	1
R, MR, Alpha I	6225577 - To Date	85050 (D)	1	160/165	2065190 - To Date	85070 (F)	1
R, MR, Alpha I	6225577 - To Date	85070 (F)	1	160/165	2065190 - To Date	85130 (A)	2
MR, Alpha I	6225577 - To Date	85040 (G)	1	160/165	2065190 - 4890459	85040 (H)	1
R	6225577 - To Date	85040 (G)	1	160/165	2065190 - To Date	85040 (G)	1
Alpha I SS	All	85070 (F)	1	225 S	3856268 - 4200499	85040 (G)	1
Alpha I SS	All	85050 (D)	1	225 S	3856268 - 4200499	85070 (F)	1
Alpha I SS	All	85040 (G)	1	225 S	3856268 - 4200499	85130 (A)	2
Alpha I SS	All	85130 (A)	2	225 S	3856268 - 4200499	85050 (D)	1
Bravo I	B664190 - To Date	85130 (A)	2	233	4200500 - To Date	85050 (D)	1
I	1534570 - 1536617	85050 (E)	1	233	4200500 - To Date	85040 (G)	1
I	1534570 - 1684187	85050 (D)	1	233	4200500 - To Date	85130 (A)	2
I	1534570 - 1684187	85130 (A)	2	233	4300500 - To Date	85070 (F)	1
I	1534570 - 1684187	85040 (H)	1	250	4791300 - 4898729	85040 (G)	1
I	1536618 - 1684187	85070 (E)	1	250	4791300 - 4898729	85070 (F)	1
I	1563354 - 1684187	85040 (E)	1	250	4791300 - 4898729	85130 (A)	2
IA, IB, IC	1684188 - 2065189	85070 (E)	1	250	4791300 - 4898729	85050 (D)	1
IA, IB, IC	1684188 - 2065189	85130 (A)	2	255 TRS	3377316 - 4203749	85130 (A)	2
IA, IB, IC	1684188 - 2065189	85040 (E)	1	260	4898730 - 6225576	85050 (D)	1
IA, IB, IC	1684188 - 2065189	85040 (H)	1	260	4898730 - 6225576	85130 (A)	2
IA, IB, IC	1684188 - 2065189	85050 (D)	1	260	4898730 - 6225576	85040 (G)	1
TRS	4794900 - To Date	85130 (A)	2	260	4898730 - 6225576	85070 (F)	1
60	1830753 - 2063740	85050 (D)	1	280 TRS	4203750 - 4895399	85130 (A)	2
60	1830753 - 2063740	85080 (F)	1	470	4208730 - 6225576	85050 (D)	1
60	1830753 - 2063740	85580 (G)	1	470	4208730 - 6225576	85070 (F)	1
60	1830753 - 2063740	85210 (C)	1	470	4208730 - 6225576	85130 (A)	2
60	1830753 - 2063740	85080 (B)	1	470	4208730 - 6225576	85040 (G)	1
80	2063741 - 2895029	85130 (A)	2	485	4893835 - To Date	85130 (A)	2
80	2063741 - 2895029	85050 (D)	1	485	4893835 - To Date	85050 (D)	1
80	2063741 - 2895029	85580 (G)	1	485	4893835 - To Date	85040 (G)	1
80	2063741 - 2895029	85080 (F)	1	485	4893835 - To Date	85070 (F)	1
90	2898020 - 3225967	85050 (D)	1	888	3106717 - To Date	85070 (F)	1
90	2898020 - 3225967	85130 (A)	2	888	3106717 - To Date	85050 (D)	1
90	2898020 - 3225967	85080 (F)	1	888	3106717 - To Date	85040 (H)	1
90	2898020 - 3225967	85580 (G)	1	888	3106717 - To Date	85040 (G)	1
120/140	2062141 - 6225576	85040 (G)	1	888	3106717 - To Date	85130 (A)	2
120/140	2062141 - 4893634	85040 (H)	1	898/228	4782330 - 6225576	85070 (F)	1
120/140	2062141 - 6225576	85070 (F)	1	898/228	4782330 - 6225576	85040 (G)	1
120/140	2062141 - 6225576	85050 (D)	1	898/228	4782330 - 6225576	85050 (D)	1
120/140	2062141 - 6225576	85130 (A)	2	898/228	4782330 - 6225576	85130 (A)	2

(A) Prop Shaft Seal (C) Prop Shaft Outer Seal (E) Water Pump Base Seal (G) Water Pump Base Upper Seal
 (B) Prop Shaft Inner Seal (D) Shift Shaft Bushing Seal (F) Water Pump Base Lower Seal (H) Water Pump Body Seal

DRIVE SHAFT HOUSING SEALS APPLICATIONS

Model	Serial No. Range	GLM No.	Qty.	Model	Serial No. Range	GLM No.	Qty.
R, MR, Alpha I	6225577 - To Date	85030 (A)	1	250	4791300 - 4898729	85020 (B)	1
Alpha I SS	All	85030 (A)	1	250	4791300 - 4898729	85030 (A)	1
Alpha I SS	All	85060 (C)	1	250	4791300 - 4898729	85060 (C)	1
Alpha I SS	All	85020 (B)	1	260	4898730 - 6225576	85020 (B)	1
IA, IB, IC	1684188 - 2065189	85030 (A)	1	260	4898730 - 6225576	85060 (C)	1
I, IA, IB, IC	1534570 - 2065189	85020 (B)	1	260	4898730 - 6225576	85030 (A)	1
IA, IB, IC	1749276 - 2065189	85060 (C)	1	470	4208730 - 6225576	85060 (C)	1
II	1474909 - 2671321	85030 (A)	1	470	4208730 - 6225576	85030 (A)	1
120/140	2062141 - 6225576	85030 (A)	1	470	4208730 - 6225576	85020 (B)	1
120/140	2062141 - 6225576	85060 (C)	1	485	4893835 - To Date	85030 (A)	1
120/140	2062141 - 6225576	85020 (B)	1	485	4893835 - To Date	85020 (B)	1
160/165	2065190 - To Date	85030 (A)	1	485	4893835 - To Date	85060 (C)	1
160/165	2065190 - To Date	85020 (B)	1	888	3106717 - To Date	85060 (C)	1
160/165	2065190 - To Date	85060 (C)	1	888	3106717 - To Date	85020 (B)	1
225 S	3856268 - 4200499	85050 (C)	1	888	3106717 - To Date	85030 (A)	1
225 S	3856268 - 4200499	85020 (B)	1	898/228	4782330 - 6225576	85020 (B)	1
225 S	3856268 - 4200499	85030 (A)	1	898/228	4782330 - 6225576	85030 (A)	1
233	4200500 - To Date	85020 (B)	1	898/228	4782330 - 6225576	85060 (C)	1
233	4200500 - To Date	85030 (A)	1				
233	4200500 - To Date	85060 (C)	1				

(A) Bearing Carrier Seal (B) Gear Chamber Seal (C) Lower Drive Shaft Seal



GLM Products, Inc.

O-RINGS

GLM	OEM	I.D.	O.D.	W.	GLM	OEM	I.D.	O.D.	W.	GLM	OEM	I.D.	O.D.	W.
Table By OEM Numbers														
82340	25-20081	2	3-1/4	1/8	82150	25-35027	1-1/16	1-5/16	1/8	81100	25-62704	3/8	9/16	3/32
80070	25-16524	5/32	9/32	1/16	82350	25-35029	3-1/8	3-3/8	1/8	80180	25-62705	3/4	7/8	1/16
82280	25-20826	2-1/4	2-1/2	1/8	82100	25-35276	3/4	1	1/8	80430	25-62706	3-1/2	3-5/8	1/16
82310	25-20863	2-5/8	2-7/8	1/8	81240	25-35480	1-1/4	1-7/16	3/32	84190	25-62817	3-3/4	4-17/20	11/40
82110	25-21836	13/16	1-1/16	1/8	81175	25-36318	13/16	1	3/32	80330	25-64067	2	2-1/8	1/16
82140	25-32145	1	1-1/4	1/8	81070	25-36390	11/16	13/16	1/16	80440	25-64966	3-3/4	3-7/8	1/16
81180	25-25439	7/8	1-1/16	3/32	82270	25-38099	2-1/8	2-3/8	1/8	81250	25-65936	1-5/16	1-1/2	3/32
81080	25-26543	1/4	7/16	3/32	81150	25-38101	11/16	7/8	3/32	82480	25-67202	4-3/4	5	1/8
82240	25-26722	1-3/4	2	1/8	80090	25-38933	7/32	11/32	1/16	80410	25-67206	3	3-1/8	1/16
81110	25-26802	7/16	5/8	3/32	82440	25-39695	4-1/4	4-1/2	1/8	81470	25-69202	2-11/16	2-7/8	3/32
82230	25-26855	1-5/8	1-7/8	1/8	82710	25-42357	9-1/4	9-1/2	1/8	83465	25-69201	4-1/8	4-1/2	3/16
81230	25-29439	1-3/16	1-3/8	3/32	80140	25-45253	1/2	5/8	1/16	82380	25-70937	3-1/2	3-3/4	1/8
81190	25-29845	15/16	1-1/8	3/32	80160	25-45254	5/8	3/4	1/16	82530	25-805197	5-3/8	5-5/8	1/8
83415	25-29976	3-1/2	3-7/8	3/16	80290	25-45257	1-1/2	1-5/8	1/16	82425	25-805331	4	4-1/14	1/8
82250	25-30224	1-7/8	2-1/8	1/8	81140	25-45711	5/8	13/16	3/32	81420	25-822370	2-3/8	2-9/16	3/32
81360	25-30529	2	2-3/16	3/32	82390	25-47254	3-5/8	3-7/8	1/8	45250	25-82275M	41.5mm	47.5mm	3mm
81160	25-30613	3/4	15/16	3/32	81220	25-47632	1-1/8	1-5/16	3/32	45260	25-82289M	66mm	76.6mm	5.30mm
82360	25-31305	3-1/4	3-1/2	1/8	80120	25-48171	3/8	1/2	1/16	45280	25-84054M	40mm	44.8mm	2.4mm
83445	25-31534	3-7/8	4-1/4	3/16	82120	25-48452	7/8	1-1/8	1/8	45270	25-81175M	62mm	70mm	4mm
83345	25-31986	2-5/8	3	3/16	80160	25-48462	5/8	3/4	1/16	83330	25-85549	2-1/2	2-7/8	3/16
80140	25-32509	1/2	5/8	1/16	80380	25-53421	2-5/8	2-3/4	1/16	82900	25-85594	1/4	19/32	11/64
80420	25-32546	3-1/4	3-3/8	1/16	81430	25-54029	2-7/16	2-5/8	3/32	82050	25-88198	7/16	11/16	1/8
82260	25-33145	2	2-1/4	1/8	81510	25-54030	3	3-3/16	3/32	81530	25-89497	3-1/2	3-11/16	3/32
81430	25-33465	2-7/16	2-5/8	3/32	80190	25-55801	13/16	15/16	1/16	81390	25-90011	2-3/16	2-3/8	3/32
81260	25-33466	1-3/8	1-9/16	3/32	80230	25-58390	1-1/16	1-3/16	1/16	80390	25-93211	2-3/4	2-7/8	1/16
82200	25-33504	1-3/8	1-5/8	1/8	80350	25-62457	2-1/4	2-3/8	1/16	*84026	25-94288	1-1/14	1-3/8	1/16
82400	25-33756	3-3/4	4	1/8	81520	25-62700	3-1/4	3-7/16	3/32	81570	25-97387	4-1/2	4-11/16	3/32
83505	25-34821	4-5/8	5	3/16	80115	25-62702	5/16	7/16	1/16	82060	25-99691	1-1/2	3/4	1/8
Table By Nominal Size														
81030	25-29619	3/32	9/32	3/32	81230	25-29439	1-3/16	1-3/8	3/32	80410	25-67206	3	3-1/8	1/16
80070	25-16524	5/32	9/32	1/16	81240	25-35480	1-1/4	1-7/16	3/32	81510	25-54030	3	3-3/16	3/32
80090	25-38933	7/32	11/32	1/16	*84026	25-94288	1-1/14	1-3/8	1/16	82340	25-20081	2	3-1/4	1/8
81080	25-26543	1/4	7/16	3/32	81250	25-65936	1-5/16	1-11/16	3/32	82350	25-35029	3-1/8	3-3/8	1/8
82900	25-85594	1/4	19/32	11/64	81260	25-33466	1-3/8	1-9/16	3/32	80420	25-32546	3-1/4	3-3/8	1/16
80115	25-62702	5/16	7/16	1/16	82200	25-33504	1-3/8	1-5/8	1/8	81520	25-62700	3-1/4	3-7/16	3/32
80120	25-48171	3/8	1/2	1/16	81270	25-45710	1-7/16	1-5/8	3/32	82360	25-31305	3-1/4	3-1/2	1/8
81100	25-62704	3/8	9/16	3/32	80290	25-45257	1-1/2	1-5/8	1/16	80430	25-62706	3-1/2	3-5/8	1/16
81110	25-26802	7/16	5/8	3/32	82060	25-99691	1-1/2	3/4	1/8	81530	25-89497	3-1/2	3-11/16	3/32
82050	25-88198	7/16	11/16	1/8	82230	25-26855	1-5/8	1-7/8	1/8	82380	25-70937	3-1/2	3-3/4	1/8
80140	25-32509	1/2	5/8	1/16	82240	25-26722	1-3/4	2	1/8	83415	25-29976	3-1/2	3-7/8	3/16
80160	25-48462	5/8	3/4	1/16	82250	25-30224	1-7/8	2-1/8	1/8	82390	25-47254	3-5/8	3-7/8	1/8
81140	25-48462	5/8	3/4	1/16	80330	25-64067	2	2-1/8	1/16	80440	25-64966	3-3/4	3-7/8	1/16
80170	25-36390	11/16	13/16	1/16	81360	25-30529	2	2-3/16	3/32	82400	25-33756	3-3/4	4	1/8
81150	25-38101	11/16	7/8	3/32	82260	25-33145	2	2-1/4	1/8	84190	25-62817	3-3/4	4-17/20	11/40
80180	25-62705	3/4	7/8	1/16	82270	25-38099	2-1/8	2-3/8	1/8	83445	25-31534	3-7/8	4-1/4	3/16
81160	25-30613	3/4	15/16	3/32	81390	25-90011	2-3/16	2-3/8	3/32	82425	25-905331	4	4-1/4	1/8
82100	25-35276	3/4	1	1/8	80350	25-62457	2-1/4	2-3/8	1/16	83465	25-69201	4-1/8	4-1/2	3/16
80190	25-55801	13/16	15/16	1/16	82280	25-20826	2-1/4	2-1/2	1/8	82440	25-39695	4-1/4	4-1/2	1/8
81175	25-36318	13/16	1	3/32	81420	25-822370	2-3/8	2-9/16	3/32	81570	25-97387	4-1/2	4-11/16	3/32
82110	25-21836	13/16	1-1/16	1/8	81430	25-33465	2-7/16	2-5/8	3/32	83505	25-34821	4-5/8	5	3/16
81180	25-25439	7/8	1-1/16	3/32	81430	25-54029	2-7/16	2-5/8	3/32	82480	25-67202	4-3/4	5	1/8
82120	25-48452	7/8	1-1/8	1/8	83330	25-85549	2-1/2	2-7/8	3/16	82530	25-805197	5-3/8	5-5/8	1/8
81190	25-29845	15/16	1-1/8	3/32	80380	25-53421	2-5/8	2-3/4	1/16	82710	25-42357	9-1/4	9-1/2	1/8
82140	25-23145	1	1-1/4	1/8	82310	25-20863	2-5/8	2-7/8	1/8	45280	25-84054M	40mm	44.8mm	2.4mm
80230	25-58390	1-1/16	1-3/16	1/16	83345	25-31986	2-5/8	3	3/16	45250	25-82275M	41.5mm	47.5mm	3mm
82150	25-35027	1-1/16	1-5/16	1/8	81470	25-69202	2-11/16	2-7/8	3/32	45270	25-81175M	62mm	70mm	4mm
81220	25-47632	1-1/8	1-5/16	3/32	80390	25-92311	2-3/4	2-7/8	1/16	45260	25-82289M	66mm	76.6mm	5.30mm

* Quad Ring

GLM Products, Inc.

MODEL / YEAR / SERIAL NUMBER - GASOLINE ENGINES

Model	Make	CID	Cylinders	Year	Serial No. Range
60	Renault	68	I/L 4	1965-1968	1887079-2049044
80	Renault	80	I/L 4	1966-1969	2049045-2851423
90	Renault	96	I/L 4	1970-1972	2851424-3226957
110	GM	153	I/L 4	1963-1966	1537370-2044033
120	GM	153	I/L 4	1964-1972	1666601-3377340
120	GM	153	I/L 4	1972-1978	3377341-5192048
120	GM	153	I/L 4	1979-1982	5192049-6229717
120/2.5L	GM	153	I/L 4	1983-1989	6229718-0B531853
140	GM	181	I/L 4	1968-1972	2508261-3332137
140	GM	181	I/L 4	1972-1978	3332138-5157668
140	GM	181	I/L 4	1979-1982	5157669-6229717
140/3.0L	GM	181	I/L 4	1982-1989	6229718-0C856558
3.0L/LX	GM	181	I/L 4	1990-1995	0C856559-0F603999
3.0LX	GM	181	I/L 4	1996	0G604000 and up
140	GM	194	I/L 6	1963	1538930-1725960
470 (2bbl.)	Mercury	224	I/L 4	1976-1979	4208730-5520114
470 (2bbl.)	Mercury	224	I/L 4	1980-1982	5520115-6218036
470 (2bbl.)	Mercury	224	I/L 4	1983-1984	6218037-6916778
170 (2bbl.)	Mercury	224	I/L 4	1985-1986	6916779 and up
165/3.7L (2bbl.)	Mercury	224	I/L 4	1987-1989	6916779 and up
485 (2bbl.)	Mercury	224	I/L 4	1980-1982	5685394-6218036
488 (4bbl.)	Mercury	224	I/L 4	1983-1984	6170297-6916778
190 (4bbl.)	Mercury	224	I/L 4	1985-1986	6916779 and up
180/3.7LX (4bbl.)	Mercury	224	I/L 4	1987-1989	6916779 and up
185 (4bbl.)	GM	229	V6	1983-1984	6330183-6919655
150	GM	230	I/L 6	1964-1966	1666495-2048046
160	GM	250	I/L 6	1967-1969	2048022-2770031
165	GM	250	I/L 6	1970-1978	2770032-5178958
165	GM	250	I/L 6	1979-1981	5178959-5813433
185 (2bbl.)	GM	262	V6	1985-1987	0A331455-0B527954
175/4.3L (2bbl.)	GM	262	V6	1987-1992	0B527955-0D714106
4.3L (GEN II)(2bbl.)	GM	262	V6	1992-1993	0D714107-0F000877
4.3L (GEN II)(2bbl.)	GM	262	V6	1993-1995	0F000878-0F601126
4.3L (GEN II)(2bbl.)	GM	262	V6	1996	0F601127-0F802999
4.3LX (GEN+)(2bbl.)	GM	262	V6	1996	0F803000 and up
205 (4bbl.)	GM	262	V6	1985-1987	0A331455-0B527954
205/4.3LX (4bbl.)	GM	262	V6	1987-1991	0B527955-0D714369
4.3L (GEN II)(4bbl.)	GM	262	V6	1992-1993	0D714370-0F001219
4.3L (GEN II)(4bbl.)	GM	262	V6	1993-1995	0F001220-0F601126
4.3L (GEN II)(4bbl.)	GM	262	V6	1996	0F601127-0F802999
4.3LXH (GEN+)(4bbl.)	GM	262	V6	1996	0F803114 and up
190	GM	283	V8	1963-1964	1564539-1730903
200	GM	292	I/L 6	1969	2453769-2712072
888 (2bbl.)	Ford	302	V8	1971-1977	3108723-4887829
215 (4bbl.)	Ford	302	V8	1970-1972	2781153-3385720
225 (4bbl.)	Ford	302	V8	1973-1974	3385721-4166999
225-S (4bbl.)	Ford	302	V8	1973-1974	3385721-4166999
898 (2bbl.)	GM	305	V8	1977-1982	4762210-6218461
898 (2bbl.)	GM	305	V8	1983-1984	6218462-0B525981
200 (2bbl.)	GM	305	V8	1985-1986	6218462-0B525981
200/5.0L (2bbl.)	GM	305	V8	1987-1995	0B525982-0F600999
228 (4bbl.)	GM	305	V8	1977-1978	4765100-5170008
228 (4bbl.)	GM	305	V8	1979-1982	5170009-6218461
228 (4bbl.)	GM	305	V8	1982-1984	6218462-0B525981
230 (4bbl.)	GM	305	V8	1985-1986	6218462-0B525981
230/5.0LX (4bbl.)	GM	305	V8	1987-1995	0B525982-0F600999
225	GM	305	V8	1963-1966	1539620-2278646
225	GM	327	V8	1967-1969	2278647-2694014
250	GM	327	V8	1968-1969	2314301-2639854
255	GM	327	V8	1975-1976	4175500-4767999
250	GM	350	V8	1977	4768000-4908849
260	GM	350	V8	1978-1982	4908850-6218461
260	GM	350	V8	1982-1986	6218462-0B525981



GLM Products, Inc.

MODEL / YEAR / SERIAL NUMBER - GASOLINE ENGINES

Model	Make	CID	Cylinders	Year	Serial No. Range
260	GM	350	V8	1982-1986	6218462-0B525981
260/5.7L	GM	350	V8	1987-1995	0B525982-0F600999
5.7L Alpha (2bbl.)	GM	350	V8	1996	0F601000 and up
5.7L Alpha (EFI) TBI	GM	350	V8	1995	0F355305-0F752399
5.7L Alpha (2bbl. - TBI)	GM	350	V8	1996	0F752400 and up
5.7LX Alpha (4bbl.)	GM	350	V8	1996	0F601000 and up
5.7LX Alpha (4bbl. - TBI)	GM	350	V8	1996	0F752400 and up
5.7L Bravo	GM	350	V8	1989-1995	0B525982-0F600999
5.7L Bravo (2bbl.)	GM	350	V8	1996	0F601000 and up
5.7L Bravo (EFI) TBI	GM	350	V8	1995	0F225560-0F752399
5.7L Bravo (2bbl. - TBI)	GM	350	V8	1996	0F752400 and up
5.7LX Bravo (4bbl.)	GM	350	V8	1996	0F601000 and up
5.7LX Bravo (4bbl. - TBI)	GM	350	V8	1996	0F752400 and up
5.7LX Bravo (TBI)(Gen+)	GM	350	V8	1996	0F800300 and up
350 Mag. Alpha	GM	350	V8	1986-1987	0A635178-0B525981
350 Mag. Alpha	GM	350	V8	1987-1995	0B525982-0F600999
350 Mag. Alpha (4bbl.)	GM	350	V8	1996	0F601000 and up
350 Mag. Alpha (TBI)(Gen+)	GM	350	V8	1996	0F800300 and up
350 Mag. Bravo (MPI)	GM	350	V8	1995	0F415189-0F601999
350 Mag. Bravo (MPI)(Gen+)	GM	350	V8	1996	0F602000 and up
270	GM	350	V8	1969-1972	2851074-3385720
280TRS	GM	350	V8	1975-1976	4176250-4770199
300 Tempest	GM	350	V8	1985-1986	6668677-0B430367
320 (EFI)	GM	350	V8	1987	0A543604-0B157602
320 (EFI)	GM	350	V8	1988-1989	0B157603-0C622418
233	Ford	351	V8	1975-1977	4173000-4902304
255	Ford	351	V8	1973-1974	3258728-4175499
325	GM	427	V8	1969-1972	2278747-3780449
330	GM	454	V8	1977-1981	4623115-6083144
330	GM	454	V8	1982-1987	6083145-0B816540
7.4L Bravo	GM	454	V8	1988-1991	0B771113-0D603117
7.4LX Bravo (Gen.V)	GM	454	V8	1992-1996	0D603118-0F800699
7.4LX Bravo (MP)	GM	454	V8	1996	0F602010 and up
454 Mag. Alpha	GM	454	V8	1986-1988	0A631894-0B785148
454 Mag. Bravo	GM	454	V8	1988-1992	0B721206-0D805068
454 Mag. Bravo (Gen.V)	GM	454	V8	1992-1994	0D805069-0F304999
454 Mag. Bravo (Gen.V)	GM	454	V8	1995-1996	0F305000-0F801699
454 EFI (Gen.V)	GM	454	V8	1994-1996	0F115700-0F802349
370 TRS	GM	454	V8	1978-1985	4179554-6721527
370 TRS	GM	454	V8	1985-1987	6721528-0B714586
400 TRS	GM	454	V8	1980-1986	4179554-0B457644
420	GM	454	V8	1987-1989	0A398941-0B622418
425	GM	454	V8	1990-1992	0A398941-0B622418
425 (Gen.V)	GM	454	V8	1992-1993	0A398941-0B622418
440TRS	GM	454	V8	1983-1986	4179554-0B485220
450 (Gen.V)	GM	454	V8	1995	0F347100-0F615761
525 SC	GM	454	V8	1991-1992	0D456000 and up
525 SC (Gen.V)	GM	454	V8	1992-1995	0D456000 and up
390	GM	482	V8	1969-1970	2781129-3042731
460 TRS	GM	482	V8	1983-1986	4179554-6181046
465	GM	502	V8	1990-1992	0C84992-0F213244
465 (Gen.V)	GM	502	V8	1992-1994	0C84992-0F213244
500 (Gen.V)	GM	502	V8	1994-1995	0F213293 and up
502 Mag. Bravo	GM	502	V8	1990-1992	0C878221-0D824588
502 Mag. Bravo (Gen.V)	GM	502	V8	1992-1993	0D824589-0F114528
502 EFI (Gen.V)	GM	502	V8	1993-1995	0D840650-0F802599
600 SC	GM	502	V8	1991-1992	0D456489 and up
600 SC (Gen.V)	GM	502	V8	1992-1996	0D456489 and up
500	GM	540	V8	1990-1996	0C577254 and up
575	GM	540	V8	1986-1992	0A677429-0D763716

GLM Products, Inc.

TOC

Manifolds-Merc.

Manifolds-OMC

Manifolds-Volvo

Manifolds-Barr

MerCruiser

Merc / Mar / For

OMC / Volvo

Johnson / Evin

Yamaha

Index / X-Ref.

Warranty

MODEL / YR / SN# - INBOARD GASOLINE						STERNDRIVE		
Model	Make	CID	Cyl.	Year	Serial No. Range	Model	Year	Serial No. Range
470 MIE	Mer.	224	I/L 4	1980-1981	5520115-6218036	60	1965-1966	1830753-2063740
215 MIE	Ford	302	V-8	1970-1972	2781153-3563181	80	1966-1969	2063741-2898029
225 MIE	Ford	302	V-8	1973-1974	3385721-4176999	90	1970-1972	2898030-3225967
198 MIE (2bbl.)	GM	305	V-8	1977	4762210-6218461	I	1963	1534570-1684187
228 MIE (4bbl.)	GM	305	V-8	1977-1978	4765100-5170008	1A/1B/1C	1964	1684188-1777798
228 MIE (4bbl.)	GM	305	V-8	1979-1980	5170009-5907057	1A/1B/1C (EZ-Shift)	1965-1966	1776349-2065189
230 MIE (4bbl.)	GM	305	V-8	1981-1986	5907058-0B522505	120/140	1967-1969	2062141-2791956
230/5.0L MIE (4bbl.)	GM	305	V-8	1987-1995	0B522506-0B788151	120/140	1970-1977	2791957-4893634
225 MIE	GM	327	V-8	1968	2278647-2694014	120/140	1978-1982	4893635-6225576
250 MIE	GM	327	V-8	1968-1969	2314301-2639854	160	1967-1969	2065190-273441
255 MIE	GM	350	V-8	1975-1978	4175500-5195908	165	1970-1977	2763442-4890459
255 MIE	GM	350	V-8	1979-1980	5195909-5907057	165	1978-1981	4890460 and up
260 MIE	GM	350	V-8	1981-1986	5907058-0B522505	II	1962-1963	1474909-1602185
260/5.7 MIE	GM	350	V-8	1987-1993	0B522506-0F024999	II	1964-1967	1602186-2278488
5.7L MIE	GM	350	V-8	1994-1995	0F025000 and up	II (1.78:1)	1968-1969	2398798-2671321
5.7L MIE	GM	350	V-8	1996	0F622100-0F622150	III	1968-1972	2373127-3002613
					0F746100 and up	215H	1970	2782203-2909034
5.7L (SKI) MIE	GM	350	V-8	1985-1987	0A338533-0B514626	215E	1970-1972	2909035-2915034
5.7L (COMP. SKI)	GM	350	V-8	1987-1995	0B514627-0F775199	888	1971-1977	3106717 and up
5.7L (COMP. SKI)(2bbl.)	GM	350	V-8	1996	0F775200 and up	898/228	1977	4782330-4898729
350 Mag. (SKI) CARB	GM	350	V-8	1991-1995	0D505450 and up	898/228	1978-1982	4898730-622576
350 Mag. (SKI) 9EFI)TBI	GM	350	V-8	1994-1996	0F215561 and up	225-S	1974	3856268-4200499
350 Mag. (SKI) 9EFI)MPI	GM	350	V-8	1995-1996	0F350583 and up	233	1975-1977	4200500 and up
Black Scorpion (GEN+)	GM	350	V-8	1996	0F800000 and up	250	1977	4791300-4898729
270 MIE	GM	350	V-8	1969-1972	2851074-3077735	II-TR	1973-1976	3377316-4794899
233 MIE	GM	351	V-8	1975-1976	4173000-4775784	260	1978-1982	4898730-6225576
255 MIE	GM	351	V-8	1973-1974	3258728-4178299	255-TRS	1973-1974	3377316-4203749
325 MIE	GM	427	V-8	1968-1974	2278747-3780449	280-TRS	1975-1976	4203750-4895399
330 MIE	GM	454	V-8	1977-1980	4623115-5889913	470	1976-1977	4208730-4893934
340/7.4l MIE w/B/W	GM	454	V-8	1981-1992	5889914-0D715493	470	1978-1882	4893835-6225576
7.4L MIE w/Hurth	GM	454	V-8	1989-1992	0C391564-0D715493	485	1980-1982	4893835 and up
7.4L MIE (LH) Gen.V	GM	454	V-8	1992-1996	0D715494-0F820141	R/MR/Alpha One	1983-1990	6225577 and up
7.4L EFI MIE (LH) Gen.V	GM	454	V-8	1995-1996	0F563052-0F820103	Alpha One (Gen. II)	1991-1995	0D469859-0F679999
454 EFI (SKI)(Gen.V)	GM	454	V-8	1995-1996	0F215800-0F820099	Alpha One (Gen. II)	1996	0F680000 and up
350 MIE	GM	454	V-8	1974-1976	3780450-4623109	TR/TRS	1977-1993	4794900 and up
390 MIE	GM	482	V-8	1969-1970	2781129-2825059	Bravo I/II/III	1988-1995	0B664190-0F729999
8.2L MIE w/Hurth	GM	502	V-8	1990-1992	0C878221-0D857199	Bravo I/II/III	1996	0F730000 and up
8.2L MIE (Gen.V)	GM	502	V-8	1993-1996	0D857200-0F819619	Blackhawk	1994-1995	ALL
INBOARD DIESEL ENGINE						S5M II/III/IV/V	1982-1995	ALL
						Alpha One SS	1986-1989	ALL
Rover	Rover	60	I/L 4	1965-1967	3140000F and up			
530D-TA(Bravo)	VM	183	I/L 5	1989	0B993002-0D725151			
D183 Turbo AC (Bravo)	VM	183	I/L 5	1990-1993	0B993002-0D725151			
D3.0L (Bravo)	VM	183	I/L 5	1994-1995	0D725152 and up			
636D-TA (Bravo)	VM	219	I/L 6	1989	0B993002-0D850127			
D219 Turbo AC (Bravo)	VM	219	I/L 6	1990-1993	0B993002-0D850127			
D3.6L (Bravo)	VM	219	I/L 6	1994-1995	0D850128 and up			
D254 Turbo AC (Bravo)	VM	254	I/L 6	1990-1993	0C849461-0D554731			
D4.2L (Bravo)	VM	254	I/L 6	1994-1995	0D554732 and up			
7.3L (Bravo)	NAV	444	V-8	1994-1995	0F060048 and up			
530D-TA	VM	183	I/L 5	1989	0B993002-0D725151			
D183 Turbo AC	VM	183	I/L 5	1990-1993	0B993002-0D725151			
D3.0L	VM	183	I/L 5	1994-1995	0D725152 and up			
636D-TA	VM	219	I/L 6	1989	0B993002-0D850127			
D219 Turbo AC	VM	219	I/L 6	1990-1993	0B993002-0D850127			
D3.6L	VM	219	I/L 6	1994-1995	0D850128 and up			
D254 Turbo AC	VM	254	I/L 6	1990-1993	0C849461-0D554731			
D4.2L	VM	254	I/L 6	1994-1995	0D554732 and up			
7.3L	NAV	444	V-8	1994-1995	0F060000 and up			
WO4CTA (150hp)	HINO	234	I/L 4	ALL				
WO4CTI (210hp)	HINO	234	I/L 4	ALL				
WO6DTI (250hp)	HINO	351	I/L 6	ALL				
WO6DTA (310hp)	HINO	351	I/L 6		0D854106 and up			





Quality Replacement Parts for

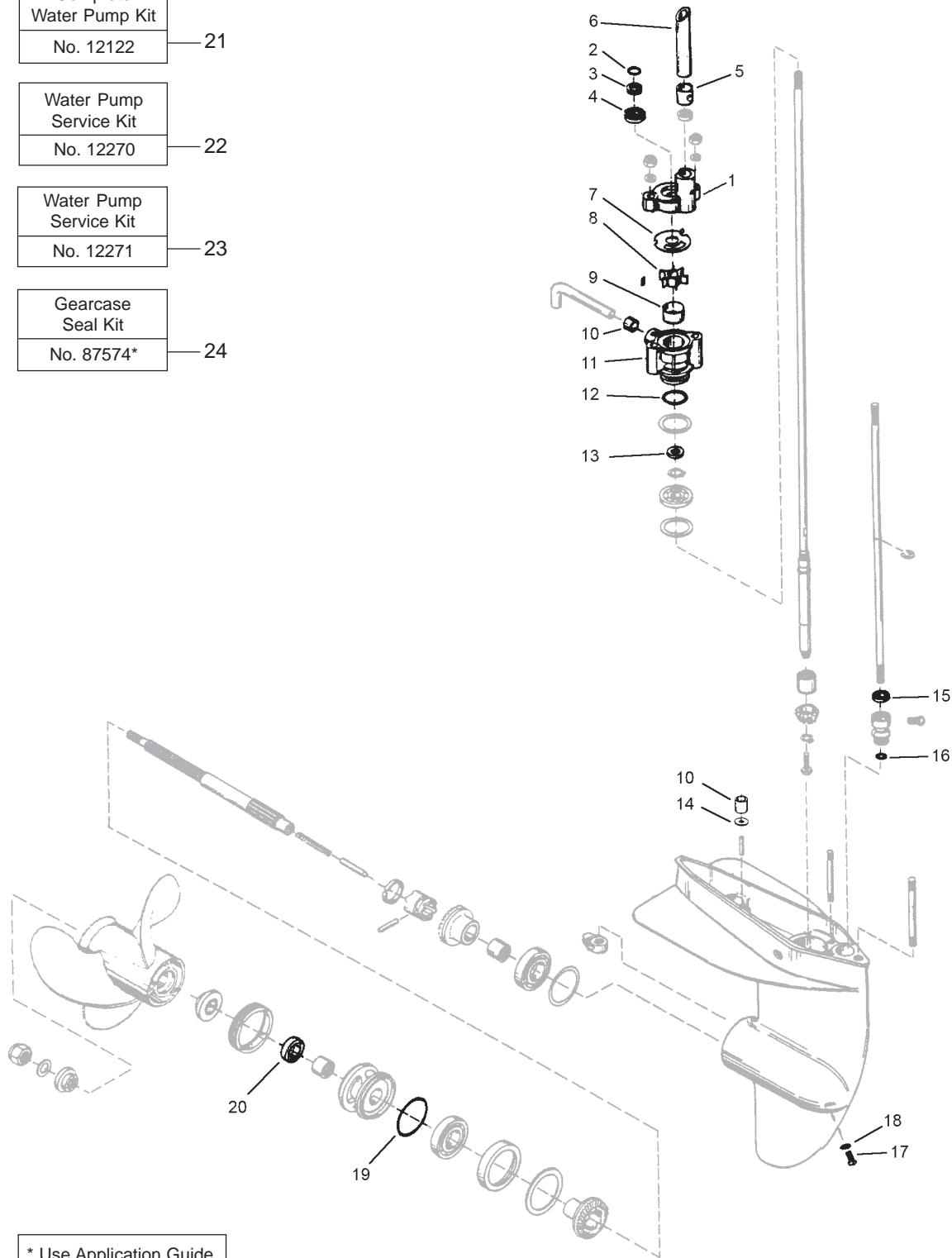
Mercury® / Mariner® / Force®

<i>Gearcase Exploded Views</i>	158-177	<i>Water Pumps</i>	199-206
<i>Gearcase Seal & Bearing Kits</i>	178-181	<i>Pistons</i>	207-212
<i>Lower Gearcase Gear Sets</i>	182-184	<i>Powerhead Bearings & Seals</i>	213-222
<i>Gearcase Shift Components</i>	185-188	<i>Carburetor Kits & Fuel Pumps</i>	223-229
<i>Prop Shaft Components, Hardware & Tools</i> ..	188-191	<i>Ignition & Electrical</i>	230-237
<i>Upper Drive Shaft Components</i>	192-193	<i>Powerhead Gaskets</i>	238-244
<i>Aluminum Anodes</i>	193-196	<i>Marine Service Tools</i>	245-246
<i>Thermostats</i>	197-198	<i>Oil Seal & O-ring Size Charts</i>	247-248

GLM Products, Inc.

GEARCASE - 3.9, 4, 4.5, 6, 7.5, 9.8 HP

Complete Water Pump Kit No. 12122	21
Water Pump Service Kit No. 12270	22
Water Pump Service Kit No. 12271	23
Gearcase Seal Kit No. 87574*	24



* Use Application Guide

TOC

Manifolds-Merc.

Manifolds-OMC

Manifolds-Volvo

Manifolds-Barr

MerCruiser

Merc / Mar / For

OMC / Volvo

Johnson / Evin

Yamaha

Index / X-Ref.

Warranty

GLM Products, Inc.

GEARCASE - 6, 8, 9.9, 10, 15 HP

TOC

Manifolds-Merc.

Manifolds-OMC

Manifolds-Volvo

Manifolds-Barr

MerCruiser

Merc / Mar / For

OMC / Volvo

Johnson / Evin

Yamaha

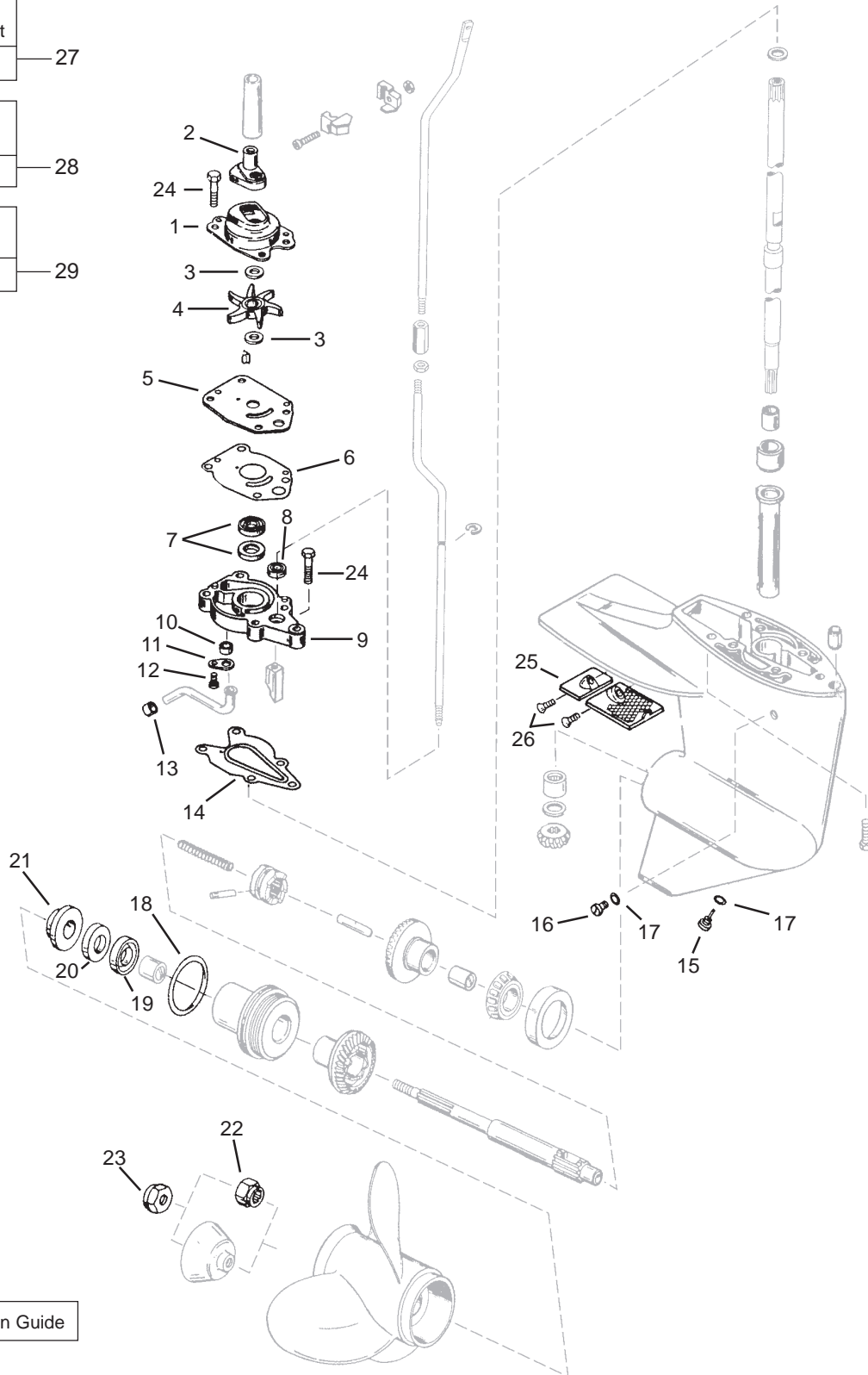
Index / X-Ref.

Warranty

Complete Water Pump Kit
No. 12051 — 27

Water Pump Impeller Kit
No. 12306 — 28

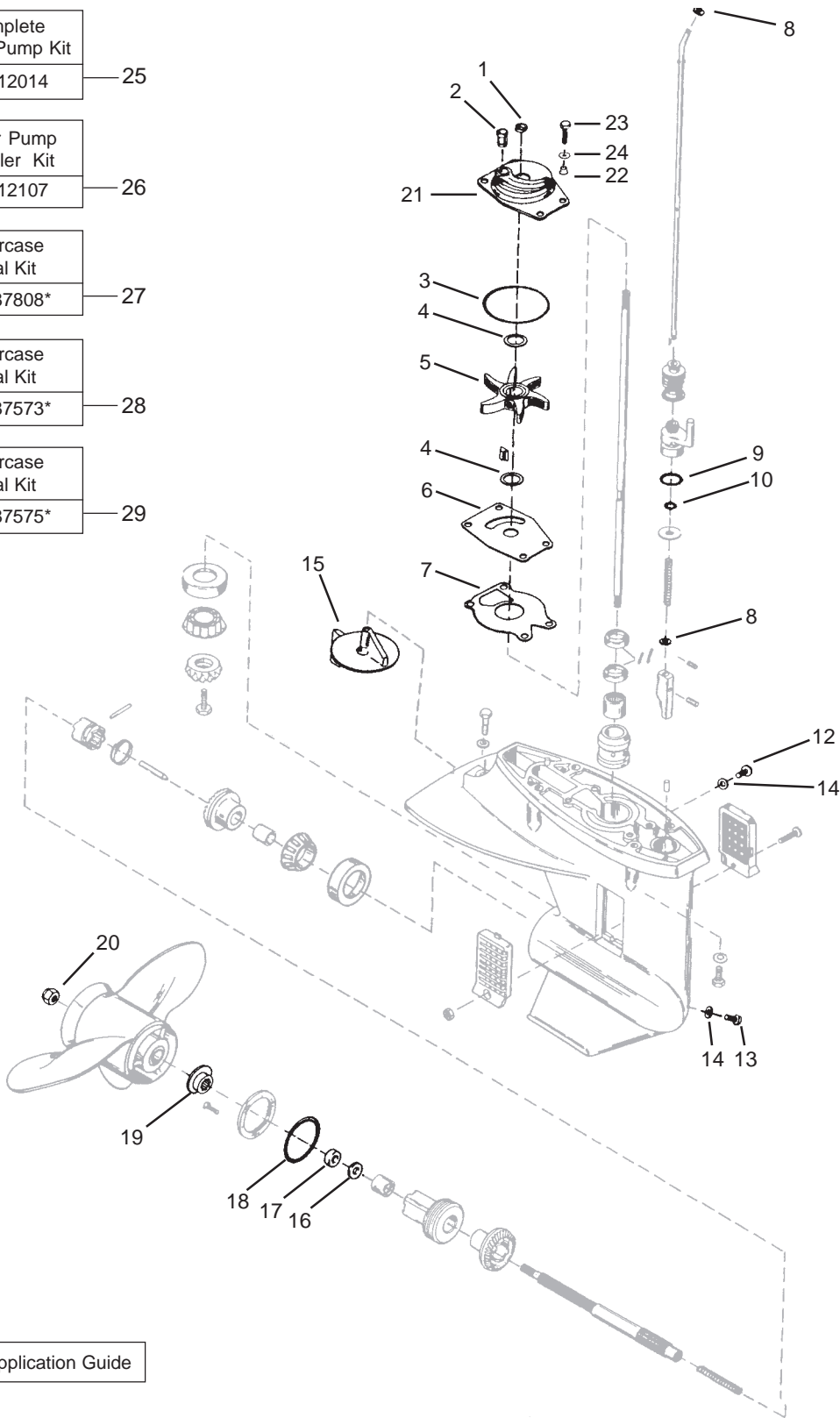
Gearcase Seal Kit
No. 87576* — 29



GLM Products, Inc.

GEARCASE - 18XD, 20, 25 HP

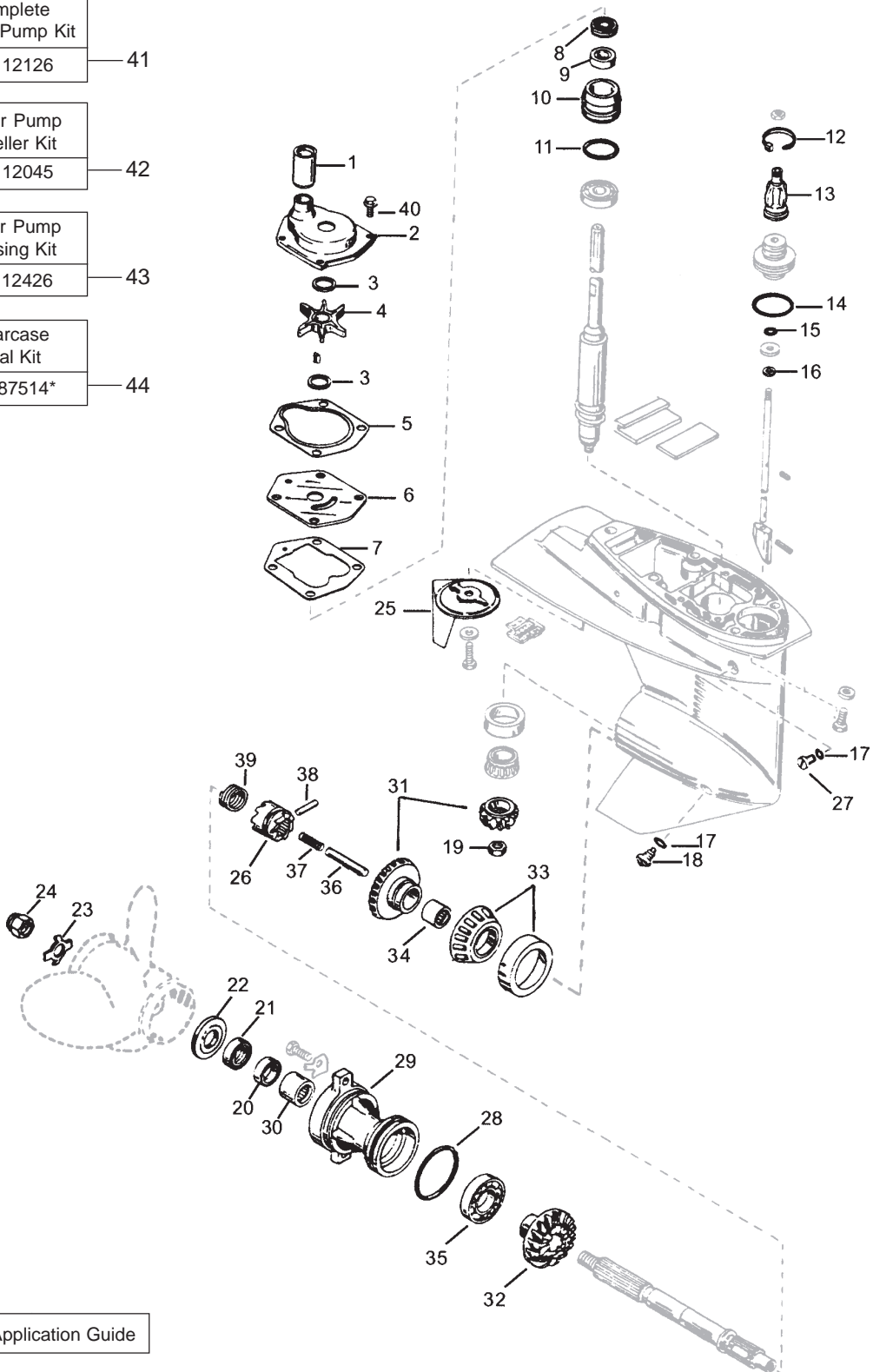
Complete Water Pump Kit No. 12014	25
Water Pump Impeller Kit No. 12107	26
Gearcase Seal Kit No. 87808*	27
Gearcase Seal Kit No. 87573*	28
Gearcase Seal Kit No. 87575*	29



TOC
 Manifolds-Merc.
 Manifolds-OMC
 Manifolds-Volvo
 Manifolds-Barr
 MerCruiser
 Merc / Mar / For
 OMC / Volvo
 Johnson / Evin
 Yamaha
 Index / X-Ref.
 Warranty

GEARCASE - 25 HP (4S), 30 HP (2-CYL.), 40 HP, 50 HP (2 & 3-CYL.) - 2 & 4-STROKE

Complete Water Pump Kit No. 12126	41
Water Pump Impeller Kit No. 12045	42
Water Pump Housing Kit No. 12426	43
Gearcase Seal Kit No. 87514*	44



* Use Application Guide

TOC

Manifolds-Merc.

Manifolds-OMC

Manifolds-Volvo

Manifolds-Barr

MerCruiser

Merc / Mar / For

OMC / Volvo

Johnson / Evin

Yamaha

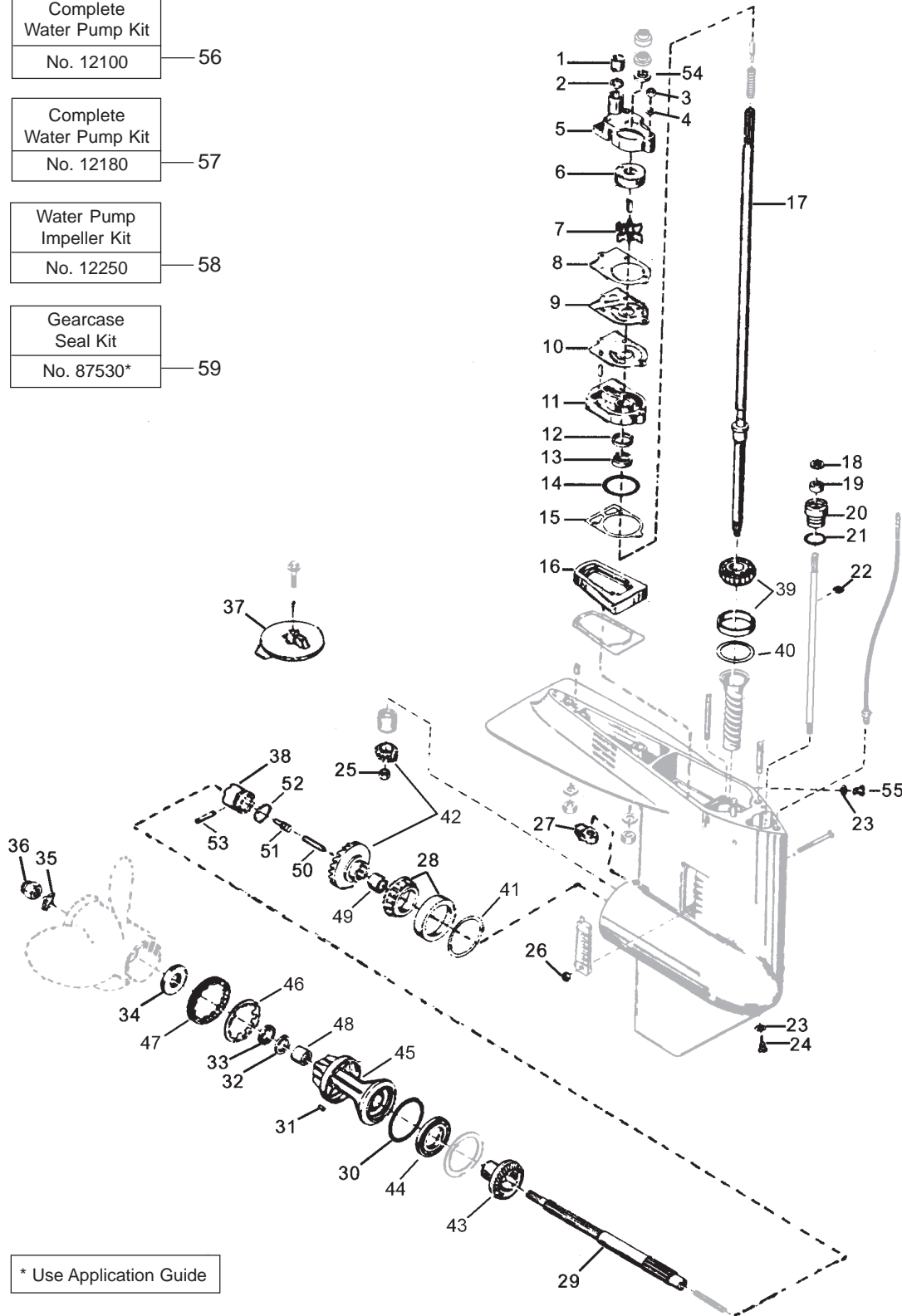
Index / X-Ref.

Warranty

GLM Products, Inc.

GEARCASE - 35-70 HP (2, 3 & 4-CYL.)

Complete Water Pump Kit No. 12100	56
Complete Water Pump Kit No. 12180	57
Water Pump Impeller Kit No. 12250	58
Gearcase Seal Kit No. 87530*	59



TOC

Manifolds-Merc.

Manifolds-OMC

Manifolds-Volvo

Manifolds-Barr

MerCruiser

Merc / Mar / For

OMC / Volvo

Johnson / Evin

Yamaha

Index / X-Ref.

Warranty

GLM Products, Inc.

GEARCASE - 35-70 HP (2, 3 & 4-CYL.)

Ref No.	GLM No.	OEM No.	Description
1	85360	26-38452	Grommet
2	32710	12-38453	Gasket
3	21180	11-13438	Lock Nut
4	21490	12-29245	Washer
5	12420	46-77822A1	Water Pump Housing
6	12860	48753	Water Pump Cup
7	89830	47-89983T	Impeller
8	31070	27-19551	Gasket
9	12520	32768	Wear Plate
10	31060	27-19553	Gasket
11	12030	46-77177A1	Water Pump Base
12	85080	26-90562	Oil Seal
13	85580	26-79831	Oil Seal
14	82240	25-26722	O-ring
15	31190	27-19552	Gasket
16	85630	37721	Seal
17	11165	45-98180	Drive Shaft (Long)
18	30030	12-77674	Gasket
19	85581	26-816464-1	Oil Seal
20	21020	23-77631A2	Bushing Assembly
21	81180	25-25439	O-ring
22	21136	53-29641	Retaining Ring
23	31170	12-19183-3	Gasket
24	21731	22-67892A1	Draining Screw
25	11192	11-55910	Pinion Nut
26	21161	11-45812	Lock Nut
27	11184	76039-4	Shift Cam
28	21630	31-38356A1	Bearing
29	11156	44-75365	Prop Shaft
30	83345	25-31986	O-ring
31	11080	28-30281	Key
32	85120	26-69188	Oil Seal
33	85520	26-69189	Oil Seal
34	21290	73345A1	Thrust Hub
35	21220	14-76281	Tab Washer
36	21240	11-69578A1	Prop Nut
37	12670	31640Q4	Anode
38	11065	52-92911T	Clutch Dog
39	21585	31-77420A1	Bearing
40	23225	15-92881A1	Shim Set
41	23226	15-38374A1	Shim Set
42	11452	43-803497T1	P/Forward Gear Set
43	11462	43-79158T	Reverse Gear
44	21628	30-20839T	Bearing
45	11382	69386A1	Bearing Carrier
46	11370	14-53012	Keyed Washer
47	21112	11-87763	Cover Nut
48	11428	31-21700	Bearing
49	11427	31-21739	Bearing
50	11187	38441	Cam Follower
51	21091	20843	Slide
52	11047	24-38114	Spring
53	21107	17-38113	Cross Pin
54	21320	25-20273	Slinger
55	22420	10-79953Q2	Screw Set
56	12100	46-77177A3	Complete Water Pump Kit
57	12180	46-73640A2	Complete Water Pump Kit
58	12250	47-89983T1	Water Pump Impeller Kit
59	87530	26-79831A1	Gearcase Seal Kit

TOC

Manifolds-Merc.

Manifolds-OMC

Manifolds-Volvo

Manifolds-Barr

MerCruiser

Merc / Mar / For

OMC / Volvo

Johnson / Evin

Yamaha

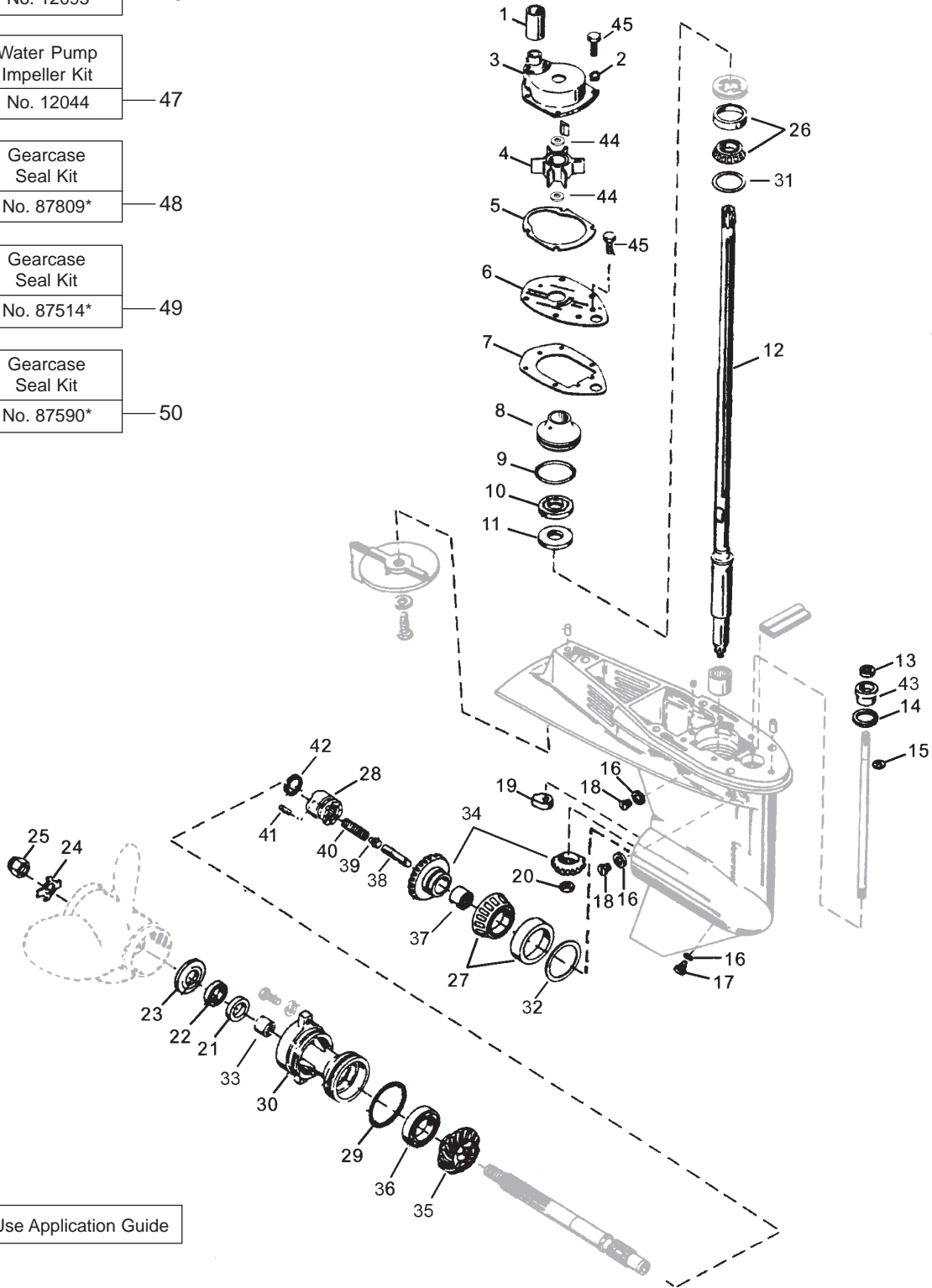
Index / X-Ref.

Warranty

GEARCASE - 50, 55, 60 HP (3-CYL.) (2S), 40, 50, 60 HP EFI (4-CYL.) (4S)

3.44 in. (87.38mm) Torpedo Diameter

- Complete Water Pump Kit
No. 12095 — 46
- Water Pump Impeller Kit
No. 12044 — 47
- Gearcase Seal Kit
No. 87809* — 48
- Gearcase Seal Kit
No. 87514* — 49
- Gearcase Seal Kit
No. 87590* — 50



TOC

Manifolds-Merc.

Manifolds-OMC

Manifolds-Volvo

Manifolds-Barr

MerCruiser

Merc / Mar / For

OMC / Volvo

Johnson / Evin

Yamaha

Index / X-Ref.

Warranty

GLM Products, Inc.

GEARCASE - 50, 55, 60 HP (3-CYL.) (2S), 40, 50, 60 HP EFI (4-CYL.) (4S)

Ref No.	GLM No.	OEM No.	Description
1	85180	43023	Tube Seal
1	85182	859770-1	Tube Seal (For 4-Stroke)
2	31590	23-43045	Insulator
3	12417	14334A3	Pump Housing
4	89616	47-19453T	Impeller
5	37490	27-822189	Gasket
6	12506	19700A2	Wear Plate
7	37470	27-19701	Gasket
8	12352	46-812966A7	Pump Base
9	82250	25-30224	O-ring
10	86870	26-814670	Oil Seal
11	86860	26-814669	Oil Seal
12	11167	45-812731	Drive Shaft (Long)
13	85581	26-816464-1	Oil Seal
14	81780	25-45258	O-ring
15	21136	53-29641	Retaining Ring
16	31170	12-19183-3	Gasket
17	21731	22-67892A1	Draining Screw
18	22420	10-79953Q2	Screw Kit
19	11184	76039-4	Shift Cam
20	11192	11-55910	Pinion Nut
21	85120	26-69188	Oil Seal
22	85520	26-69189	Oil Seal
23	21290	73345A1	Thrust Hub
24	21220	14-76281	Tab Washer
25	21240	11-69758A1	Prop Nut
26	21585	31-77420A1	Bearing
27	21541	31-812767A1	Bearing
28	11063	52-850048T	Clutch Dog
29	82310	25-815460	O-ring
30	11394	19291A3	Bearing Carrier
31	23224	15-812770A1	Shim Set
32	23223	15-812769A1	Shim Set
33	11428	31-21700	Bearing
34	11562	43-803499T1	P/Forward Gear Set (1.64:1 Ratio)
35	11572	43-813695T	Reverse Gear
36	21628	30-20839T	Bearing
37	11427	31-21739	Bearing
38	11188	812929-1	Cam Follower
39	21091	20843	Slide
40	11048	24-815418	Spring
41	21107	17-38113	Cross Pin
42	11050	24-30893	Spring
43	21022	23-813696A2	Bushing Assembly
44	31177	12-858234	Washer-Plastic
45	23236	10-824832-4	Screw
46	12095	46-812966A11	Complete Water Pump Kit
47	12044	47-19453Q2	Water Pump Impeller Kit
48	87809	26-814669A2	Gearcase Seal Kit
49	87514	823547A2	Gwearcase seal Kit
50	87590	26-43035A4	Gearcase Seal Kit

TOC

Manifolds-Merc.

Manifolds-OMC

Manifolds-Volvo

Manifolds-Barr

MerCruiser

Merc / Mar / For

OMC / Volvo

Johnson / Evin

Yamaha

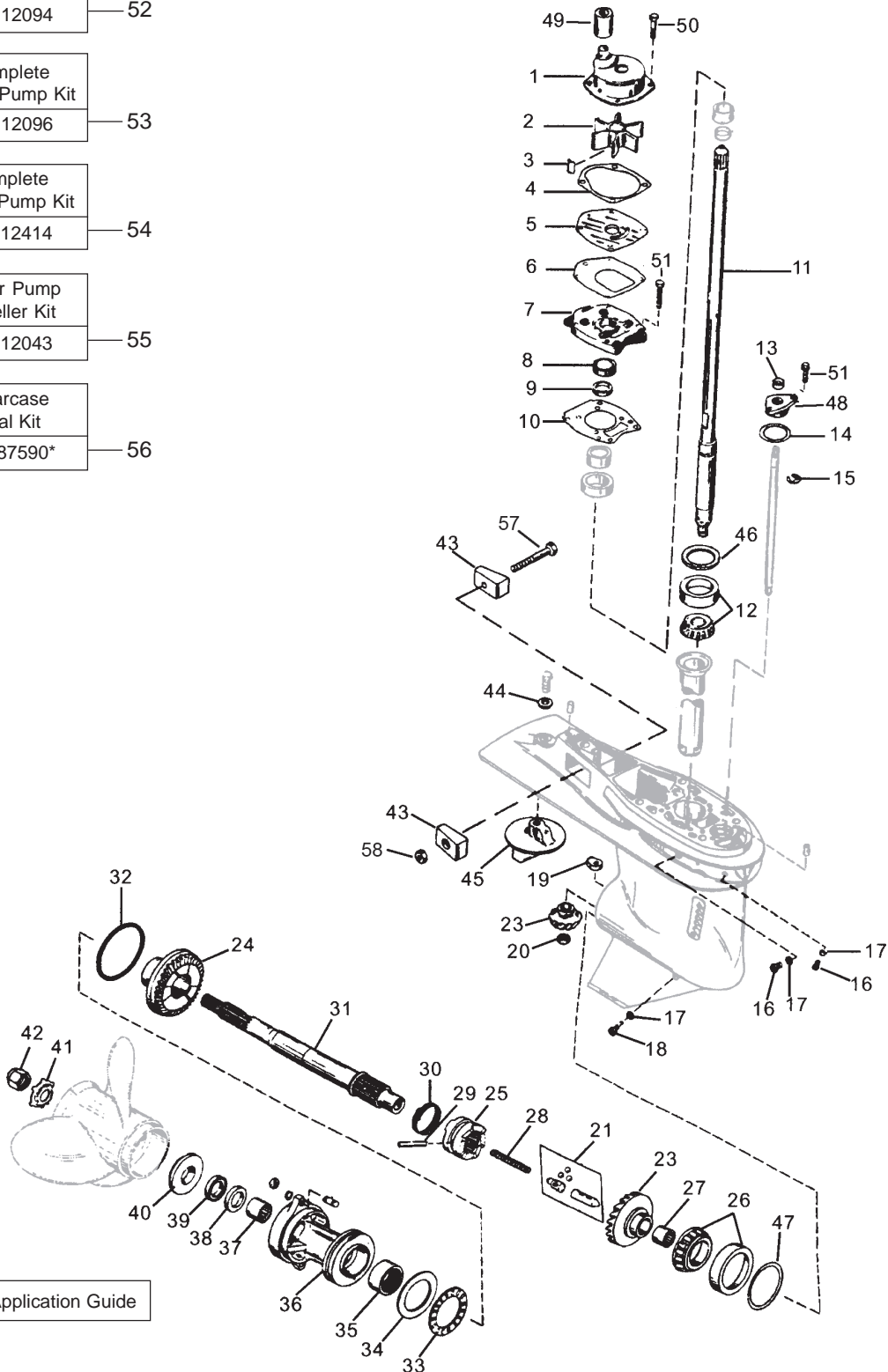
Index / X-Ref.

Warranty

GEARCASE - 30-125 HP (3 & 4-CYL.)

2 & 4-Stroke w/ 4.25 in. (107.95mm) Torpedo Diameter Big Foot

Complete Water Pump Kit No. 12094	52
Complete Water Pump Kit No. 12096	53
Complete Water Pump Kit No. 12414	54
Water Pump Impeller Kit No. 12043	55
Gearcase Seal Kit No. 87590*	56



* Use Application Guide



TOC
Manifolds-Merc.
Manifolds-OMC
Manifolds-Volvo
Manifolds-Barr
MerCruiser
Merc / Mar / For
OMC / Volvo
Johnson / Evin
Yamaha
Index / X-Ref.
Warranty

GLM Products, Inc.

GEARCASE - 30-125 HP (3 & 4-CYL.)

Ref No.	GLM No.	OEM No.	Description	Ref No.	GLM No.	OEM No.	Description
1	12416	817275A2	Water Pump Assembly	46	23222	15-44492A1	Shim Set
2	89630	47-43026T2	Impeller	47	23221	15-44491A1	Shim Set
3	11071	28-43037	Key	48	21024	23-43052A4	Bushing Assembly
4	31240	27-817277-1	Gasket	49	85180	43023	Water Tube Seal (White)
5	12500	817276-1	Wear Plate	49	85190	43023-2	Water Tube Seal (Black)
6	30090	27-43033-1	Gasket	49	12838	832942A1	Coupling Assembly
7	12342	43055A4	Pump Base Assembly	50	23234	10-826844-30	Screw
8	85170	26-43036	Oil Seal	51	22342	10-40003-30	Screw
9	85160	26-43035	Oil Seal	52	12094	46-430224A7	Complete Water Pump Kit
10	30320	27-43047-2	Gasket	53	12096	817275A6	Complete Water Pump Kit
11	11160	45-43031A1	Drive Shaft (Long)	54	12414	817275Q5	Complete Water Pump Kit
11	11164	45-826736A1	Drive Shaft (Long)	55	12043	47-43026Q06	Water Pump Impeller Kit
12	22960	31-42677A1	Bearing	56	87590	26-43035A4	Gearcase Seal Kit
13	85581	26-816464-1	Oil Seal	57	22341	10-40003-33	Screw
14	81275	25-45710	O-ring	58	21169	11-40138-6	Nut
15	21136	53-29641	Retaining Ring				
16	22420	10-79953Q2	Screw Kit				
17	31170	12-19183-3	Gasket				
18	21731	22-67892A1	Draining Screw				
19	11184	76039-4	Shift Cam (3 Jaw)				
19	11185	850307	Shift Cam (6 Jaw)				
20	11190	11-35921	Pinion Nut				
21	11182	850315A1	Cam Follower Kit				
22	22492	30-44530	Ball				
23	11560	43-803500T1	P/Frwd Gear Set (2.31:1 Ratio 3 Jaw)				
23	11565	43-803501T1	P/Frwd Gear Set (2.31:1 Ratio 6 Jaw)				
24	11570	43-12635T	Reverse Gear (3 Jaw)				
24	11575	43-850034T	Reverse Gear (6 Jaw)				
25	11061	52-822539T	Clutch Dog (3 Jaw)				
25	11063	52-850048T	Clutch Dog (6 Jaw)				
26	21820	31-30894A1	Bearing				
27	11420	31-30895	Bearing				
28	11034	24-30622	Spring (3 Jaw)				
28	11036	24-850327	Spring (6 Jaw)				
29	21131	17-30632	Cross Pin				
30	11050	24-30893	Spring				
31	11153	44-12238T	Prop Shaft (3 Jaw)				
31	11155	44-850308	Prop Shaft (6 Jaw)				
32	82390	25-97386	O-ring				
33	22750	31-12576	Thrust Bearing				
34	21653	12-12577	Thrust Washer				
35	22760	31-12578T	Bearing				
36	11412	12596T2	Bearing Carrier				
37	11410	31-30956	Bearing				
38	85130	26-76868	Oil Seal				
39	85530	26-70081	Oil Seal				
40	21350	13191A1	Thrust Hub				
41	21200	14-816629Q	Tab Washer				
42	21230	11-827614	Prop Nut				
43	12675	826134Q	Anode				
44	28420	12-45176	Washer				
45	12670	31640Q4	Trim Tab				

TOC

Manifolds-Merc.

Manifolds-OMC

Manifolds-Volvo

Manifolds-Barr

MerCruiser

Merc / Mar / For

OMC / Volvo

Johnson / Evin

Yamaha

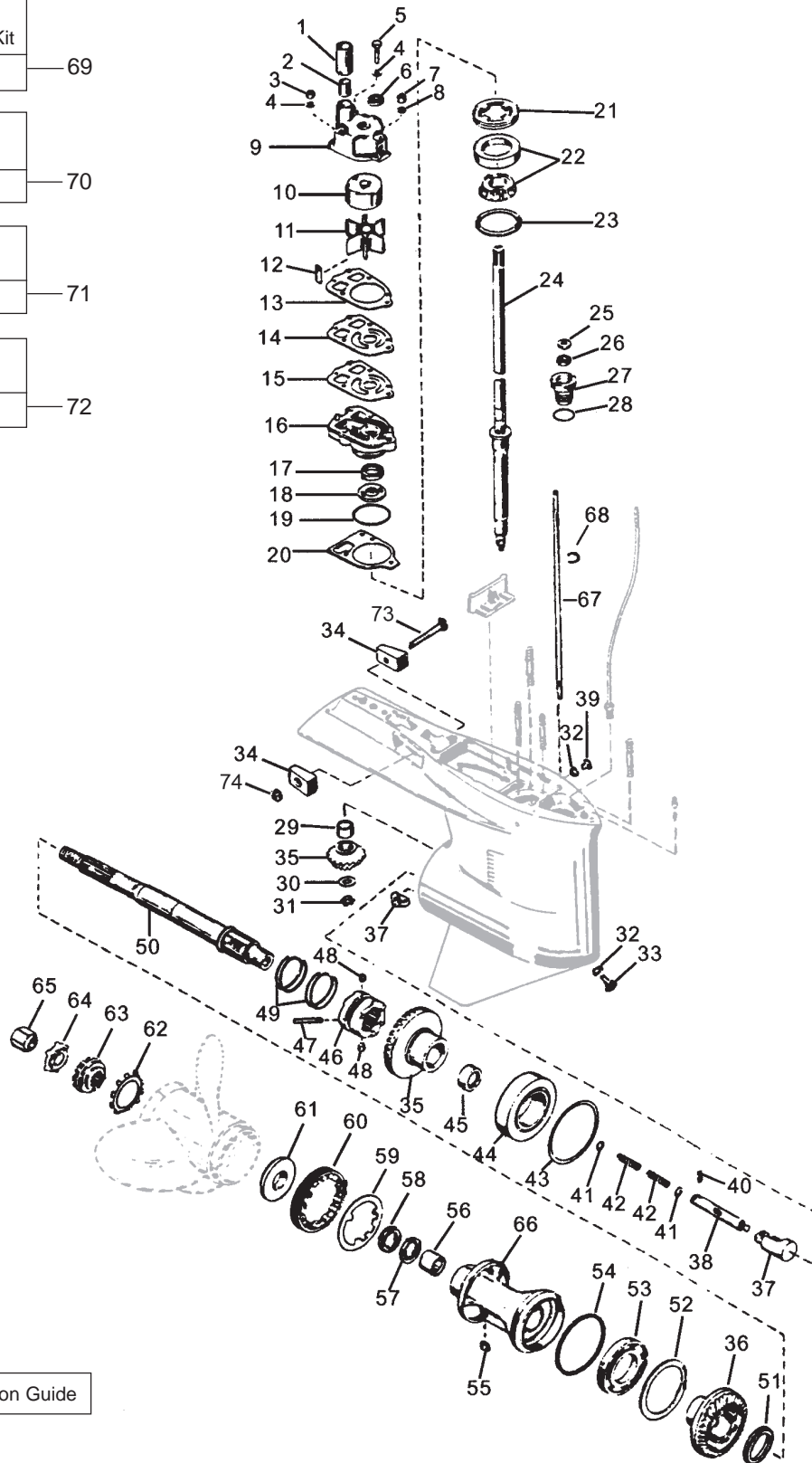
Index / X-Ref.

Warranty

GLM Products, Inc.

GEARCASE - L4, L6 & V6 (65-225 HP)

Complete Water Pump Kit No. 12280	69
Water Pump Impeller Kit No. 12290	70
Gearcase Seal Kit No. 87520*	71
Gearcase Seal Kit No. 87540*	72



* Use Application Guide



TOC
Manifolds-Merc.
Manifolds-OMC
Manifolds-Volvo
Manifolds-Barr
MerCruiser
Merc / Mar / For
OMC / Volvo
Johnson / Evin
Yamaha
Index / X-Ref.
Warranty

GLM Products, Inc.

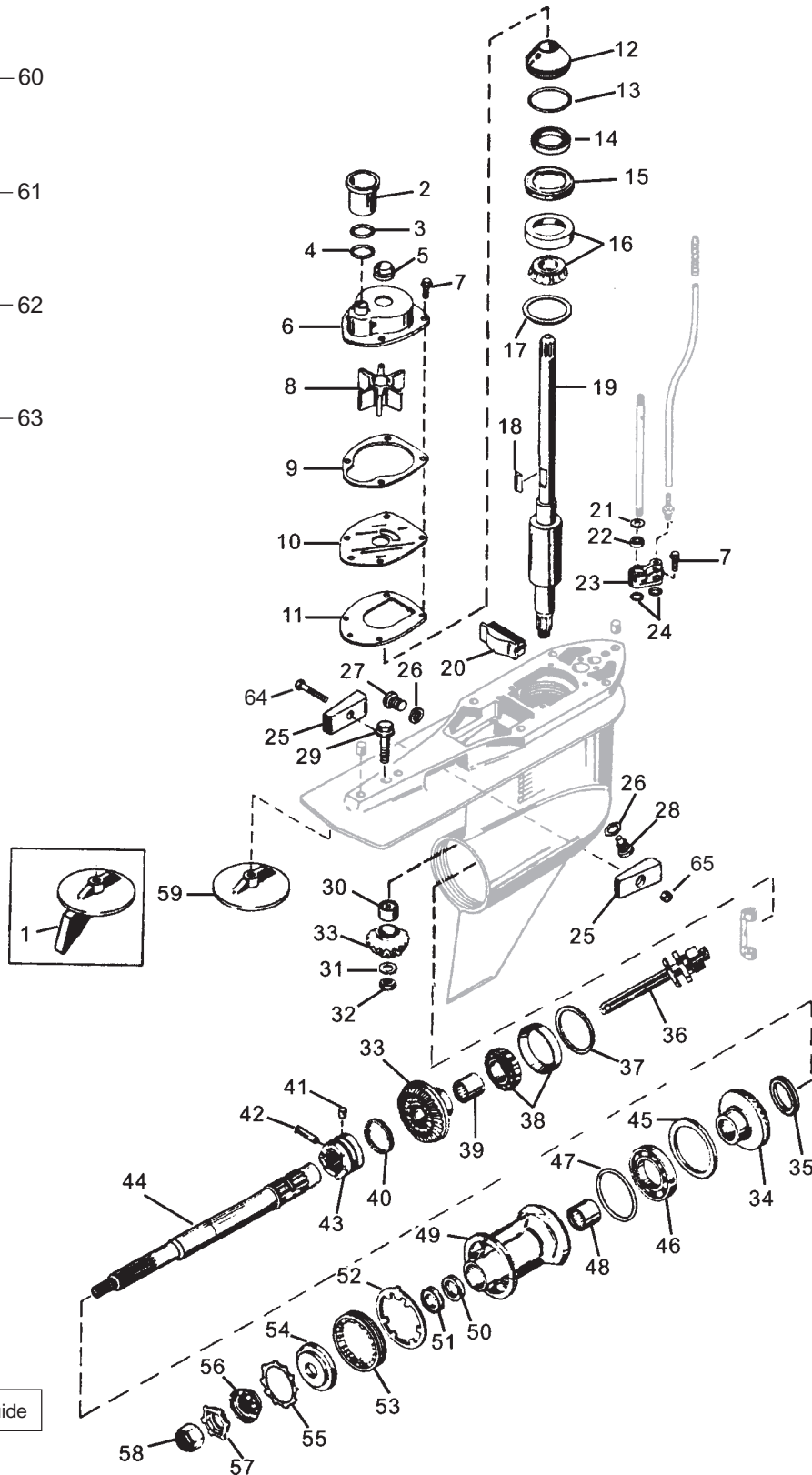
GEARCASE - L4, L6 & V6 (65-225 HP)

Ref No.	GLM No.	OEM No.	Description	Ref No.	GLM No.	OEM No.	Description
1	12820	23-29804	Tube Guide	38	26420	79911A1	Rod Kit
2	12830	26-38970	Seal	38	26430	828827	Rod
3	21180	11-13438	Nut	39	22420	10-79953Q2	Screw Set
4	21490	12-29245	Washer	40	21101	17-78906	Pin
5	12833	10-96411	Screw	41	21665	12-78910	Washer
6	21330	25-30271	Slinger	42	11033	24-79910	Spring
7	21190	11-13436	Nut	43	23220	15-47397A1	Shim Set
8	21720	12-36001	Washer	44	21820	31-30894A1	Bearing
9	12410	46-96148T1	Pump Housing	44	21830	31-78172A1	Bearing
10	12810	48752T	Pump Cup	45	11430	31-54928-1	Bearing
11	89840	47-89984T4	Impeller	45	11420	31-30895T	Bearing
12	11070	28-56654	Key	46	11060	52-853594T	Clutch Dog
13	31020	27-858524	Gasket	46	11061	52-822539T	Clutch Dog
14	12510	32435	Wear Plate	46	11062	52-823174T	Clutch Dog
15	31010	27-85608-1	Gasket	46	11064	52-859340T	Clutch Dog
16	12320	46-44292A3	Pump Base	47	21131	17-30632	Cross Pin
17	85040	26-16977	Oil Seal	47	21102	17-78905	Cross Pin
18	85070	26-89238	Oil Seal	48	21103	17-78909	Detent Pin
19	81390	25-90011	O-ring	48	21104	17-828356	Detent Pin
20	31050	27-42631-1	Gasket	49	11050	24-30893	Spring
21	23200	824519-1	Retainer	49	11059	24-78962	Spring
22	21580	31-36387A1	Bearing	50	11151	44-94148	Prop Shaft
23	23210	15-42637A1	Shim Set	50	11152	44-93003	Prop Shaft
24	11161	45-44000-1	Drive Shaft	51	11012	23-824108	Thrust Spacer
24	11162	45-42646	Drive Shaft	52	23140	68100-1	Thrust Ring
24	11163	45-98682A1	Drive Shaft (with Pre-load Pin)	53	21620	30-88957T	Bearing
25	30030	12-77674	Gasket	54	83445	25-896524	O-ring
26	85581	26-816464-1	Oil Seal	55	11080	28-30281	Key
27	21020	23-77631A2	Bushing	56	11410	31-30956	Bearing
28	81180	25-25439	O-ring	57	85130	26-76868	Oil Seal
29	21610	31-42647A1	Bearing	58	85700	26-12224	Oil Seal
29	22780	31-32898T	Bearing	59	11380	14-79447	Keyed Washer
30	32800	12-92721	Washer	60	21120	79448	Cover Nut
31	11190	11-35921	Nut	61	21301	12-835467-1	Thrust Hub
32	31170	12-19183-3	Gasket	62	21760	13-42351-1	Lockwasher
33	21731	22-67892A1	Draining Screw	63	21360	12-31211A3	Receiver
34	12675	826134Q	Anode	64	21200	14-816629Q	Tab Washer
35	11340	43-68548T3	Pinion Gear (Straight)	65	21230	11-827614	Lock Nut
35	11350	43-68447T1	Forward Gear (Straight)	66	11396	43567T1	Bearing Carrier
35	11670	43-44102A7	P/Forward Gear (2.00:1)	67	21150	76062A1	Shift Shaft (Long)
35	11780	43-803619T1	P/Forward Gear (2.00:1)	68	21136	53-29641	Retaining Ring
35	11450	43-44104A8	P/Forward Gear (1.87:1)	69	12280	46-96148A8	Complete Water Pump Kit
35	11675	43-803615T2	P/Forward Gear (1.87:1)	70	12290	47-89984T5	Water Pump Impeller Kit
35	11710	43-859321A3	P/Forward Gear (1.75:1)	71	87520	26-55682A1	Gearcase Seal Kit
36	11360	43-76250T	Reverse Gear (Straight)	72	87540	26-89238A2	Gearcase Seal Kit
36	11680	43-824987A2	Reverse Gear	73	22341	10-40003-33	Screw
36	11790	43-85462T	Reverse Gear	74	21169	11-40138-6	Nut
36	11460	43-824986A2	Reverse Gear				
36	11685	43-828175A1	Reverse Gear				
36	11720	43-859322A1	Reverse Gear				
37	11180	89594A1	Cam Follower Kit				

GLM Products, Inc.

GEARCASE - 3.0L (200 DFI, 225 CARB, 225 & 250 EFI)

Complete Water Pump Kit No. 12096	60
Complete Water Pump Kit No. 12414	61
Gearcase Seal Kit No. 87512*	62
Gearcase Seal Kit No. 87513*	63



TOC
Manifolds-Merc.
Manifolds-OMC
Manifolds-Volvo
Manifolds-Barr
MerCruiser
Merc / Mar / For
OMC / Volvo
Johnson / Evin
Yamaha
Index / X-Ref.
Warranty

GLM Products, Inc.

GEARCASE - 3.0L (200 DFI, 225 CARB, 225 & 250 EFI)

Ref No.	GLM No.	OEM No.	Description	Ref No.	GLM No.	OEM No.	Description
1	12670	31640Q4	Anode	46	21620	30-88957T	Bearing
2	12838	832942A1	Coupling Assembly	47	83445	25-896524	O-ring
3	82150	25-35027	O-ring	48	11410	30-30956	Bearing
4	82110	25-21836	O-ring	49	11405	818763A11	Bearing Carrier
5	85590	26-816575A2	Face Seal	50	85130	26-14077	Oil Seal
6	12415	817275A1	Water Pump Assembly	51	85700	26-12224	Oil Seal
7	12834	10-19937-16	Screw	52	11381	14-18323	Keyed Washer
8	89630	47-43026T2	Impeller	53	21120	79448	Cover Nut
9	31240	27-817277-1	Gasket	54	21301	12-835467	Thrust Washer
10	12500	817276-1	Wear Plate	55	21760	13-42351-1	Lockwasher
11	30090	27-43033-1	Gasket	56	21360	12-31211A3	Tab Washer Receiver
12	12341	807929A1	Pump Base	57	21200	14-816629Q	Tab Washer
13	81390	25-90011	O-ring	58	21250	11-827614	Lock Nut
14	85022	26-864319	Oil Seal	59	12710	76214Q5	Anode
15	23200	824519-1	Retainer	60	12096	817275A6	Complete Water Pump Kit
16	21580	31-36387A1	Bearing	61	12414	817275Q5	Complete Water Pump Kit
17	23210	15-42637A1	Shim Set	62	87512	26-816575A4	Gearcase Seal Kit
18	11071	28-43037	Key	63	87513	26-816575A5	Gearcase Seal Kit
19	11140	45-816472	Drive Shaft	64	22341	10-40003-33	Screw
20	88180	821526	Filler Block	65	21169	11-40138-6	Nut
21	30030	12-77674	Gasket				
22	85581	26-816464-1	Oil Seal				
23	21018	23-815921A4	Shift Bushing				
24	81175	25-36318	O-ring				
25	12675	826134Q	Anode				
26	31170	12-19183-3	Gasket				
27	22420	10-79953Q2	Screw Set				
28	21731	22-67892A1	Draining Screw				
29	21741	10-806327	Screw				
30	21610	31-42647A1	Bearing				
31	32800	12-92721	Washer				
32	11190	11-35921	Nut				
33	11710	43-859321A3	P/Forward Gear (1.75)				
33	11091	43-828072A2	P/Forward Gear (1.62)				
34	11720	43-859322A1	Reverse Gear				
34	11013	43-828073A1	Reverse Gear				
35	11012	23-824108	Thrust Spacer				
36	11030	818349T1	Shift Spool				
37	23220	15-47397A1	Shim Set (3.500 O.D.)				
37	23221	15-44491A1	Shim Set (3.265 O.D.)				
38	21590	31-35928A1	Bearing (1.875 I.D./3.500 O.D.)				
38	21593	31-828439A2	Bearing (1.875 I.D./3.265 O.D.)				
38	21820	31-30894A1	Bearing (1.750 I.D./3.265 O.D.)				
39	11420	31-30895T	Bearing				
40	11050	24-30893	Spring				
41	21104	17-828356	Detent Pin				
42	21131	17-30632	Cross Pin				
43	11060	52-853594T	Clutch Dog				
43	11064	52-859340T	Clutch Dog				
44	11155	44-850308	Prop Shaft				
45	23140	68100-1	Thrust Ring				

TOC

Manifolds-Merc.

Manifolds-OMC

Manifolds-Volvo

Manifolds-Barr

MerCruiser

Merc / Mar / For

OMC / Volvo

Johnson / Evin

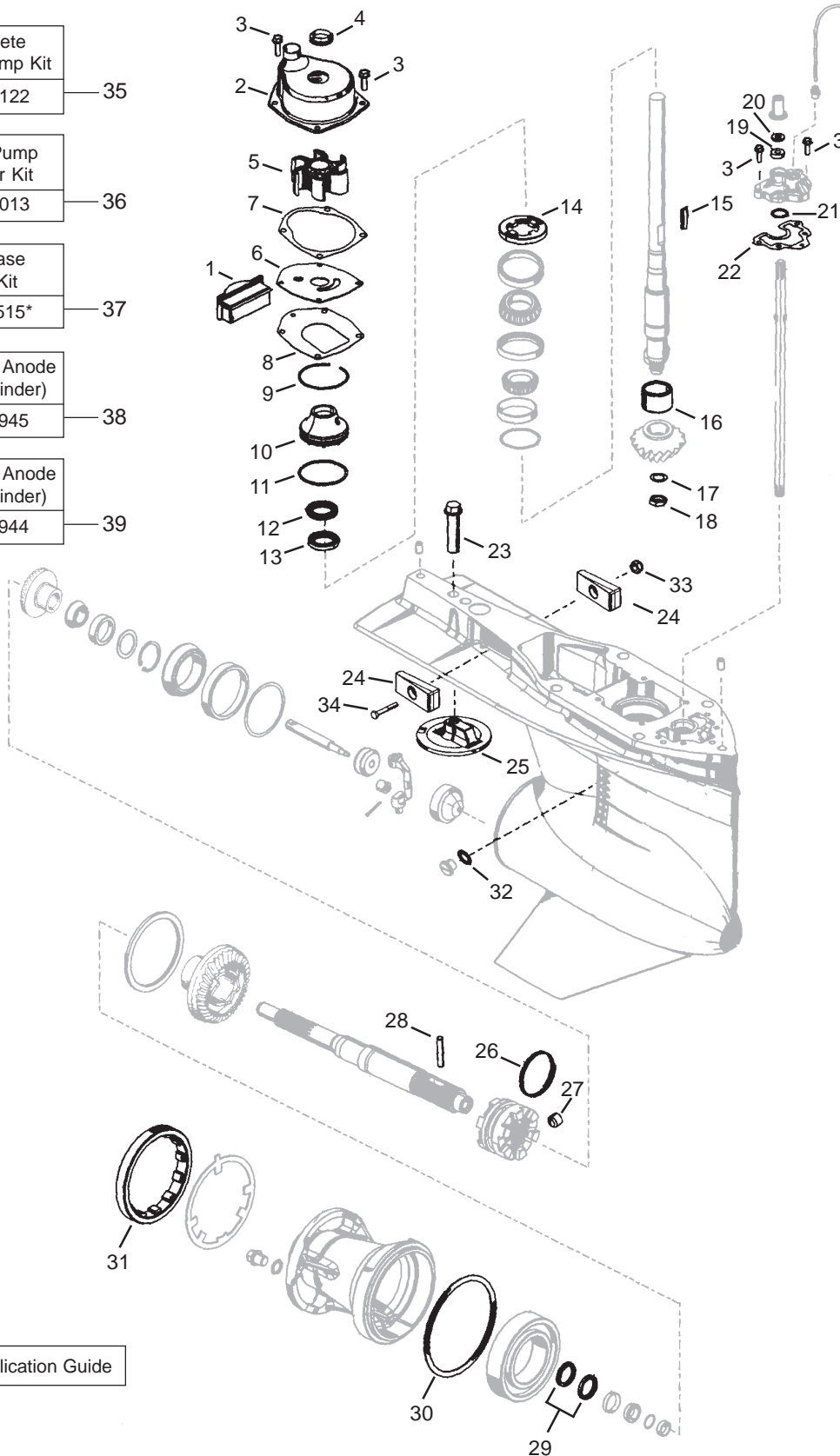
Yamaha

Index / X-Ref.

Warranty

GEARCASE - 4-STROKE VERADO

Complete Water Pump Kit No. 12122	35
Water Pump Impeller Kit No. 12013	36
Gearcase Seal Kit No. 87515*	37
Aluminum Anode Kit (4-Cylinder) No. 12945	38
Aluminum Anode Kit (6-Cylinder) No. 12944	39



* Use Application Guide

TOC
Manifolds-Merc.
Manifolds-OMC
Manifolds-Volvo
Manifolds-Barr
MerCruiser
Merc / Mar / For
OMC / Volvo
Johnson / Evin
Yamaha
Index / X-Ref.
Warranty

TOC

Manifolds-Merc.

Manifolds-OMC

Manifolds-Volvo

Manifolds-Barr

MerCruiser

Merc / Mar / For

OMC / Volvo

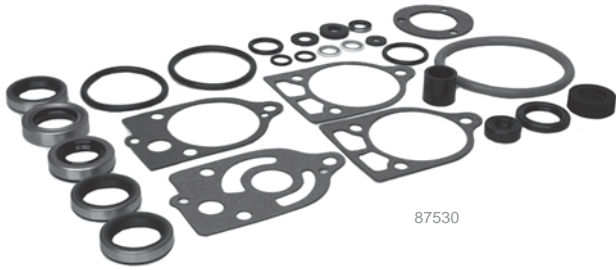
Johnson / Evin

Yamaha

Index / X-Ref.

Warranty

**Gearcase Seal Kits
Mercury & Mariner**



87530

- 87576** OEM: 26-41365A3 Mercury & Mariner
- 87590** OEM: 26-43035A4 Mercury & Mariner
- 87520** OEM: 26-55682A1 Mercury & Mariner
- 87573** OEM: 26-66303A1 Mercury & Mariner
- 87574** OEM: 26-77066A1 Mercury & Mariner
- 87530** OEM: 26-79831A1 Mercury & Mariner
- 87809** OEM: 26-814669A2 Mercury & Mariner
- 87512** OEM: 26-816575A4 Mercury & Mariner
- 87513** OEM: 26-816575A5 Mercury & Mariner
- 87810** OEM: 26-820645A1 Mercury & Mariner
- 87514** OEM: 823547A2 Mercury & Mariner
- 87575** OEM: 26-85090A1 Mercury & Mariner
- 87808** OEM: 26-85090A2 Mercury & Mariner
- 87540** OEM: 26-89238A2 Mercury & Mariner

**Gearcase Seal Kits
Force**



87807

- 87800** OEM: FK1060
- 87801** OEM: FK1061
- 87805** OEM: FK1068
- 87802** OEM: FK1062
- 87803** OEM: FK1063-2
- 87804** OEM: FK1065
- 87807** OEM: FK1203-1

**Gearcase Seal & Bearing Kits
Without Forward Bearing**



11800

- 11800** OEM: 31-803029T1
- 11810** OEM: 31-803031T1
- 11820** OEM: 31-803033T1
- 11830** OEM: 31-803496T1
- 11840** OEM: 31-803806T1
- 11850** OEM: 31-803495T1
- 11860** OEM: 31-803494T1
- 11870** OEM: 31-803493T1



GEARCASE SEAL KIT / SEAL & BEARING KIT APPLICATION

Model	Year	Country	Serial No. Range	Gearcase Seal Kit Mercury / Mariner	Seal & Bearing Kit w/out Fwd Bearing
4 (1-Cyl.)	1982-86	USA	5595532-0A809600	87574	-
4 (1-Cyl.)	1982-86	AUS	8068065 and Up	87574	-
4 (1-Cyl.)	1982-86	BEL	9258281-9477829	87574	-
4 (1-Cyl.)	1982-86	CAN	7143688 and Up	87574	-
4.5 (1-Cyl.)	1975-79	USA	4107220 and Up	87574	-
4.5 (1-Cyl.)	1975-79	AUS	8026540 and Up	87574	-
4.5 (1-Cyl.)	1975-79	BEL	9072179 and Up	87574	-
4.5 (1-Cyl.)	1975-79	CAN	7045758 and Up	87574	-
6	1986-93	USA	0A197112 and Up	87576	-
6	1986-93	BEL	9461526 and Up	87576	-
7.5 (7.5, 75)	1978	USA	4851693 and Up	87574	-
7.5 (7.5, 75)	1978	AUS	8051350 and Up	87574	-
7.5 (7.5, 75)	1978	BEL	9181726 and Up	87574	-
7.5 (7.5, 75)	1978	CAN	7111898 and Up	87574	-
8	1986-93	USA	0A197112 and Up	87576	-
8	1986-93	BEL	9461526 and Up	87576	-
8 (Bodense 4-Stroke)	1995-98	USA	0H00058-0H017349	87576	-
8 (Bodense 4-Stroke)	1995-98	USA	0G760300 and Up	87576	-
9.8 (9.8, 110)	1979-85	USA	4839254 and Up	87574	-
9.8 (9.8, 110)	1979-85	AUS	8050625 and Up	87574	-
9.8 (9.8, 110)	1979-85	BEL	9165303 and Up	87574	-
9.8 (9.8, 110)	1979-85	CAN	7111348 and Up	87574	-
9.9	1986-93	USA	0A197112 and Up	87576	-
9.9	1986-93	BEL	9461526 and Up	87576	-
9.9 (4-Stroke)	1999	USA	0H00058-0H17349	87576	-
9.9 (4-Stroke)	1990-93	USA	0G760300 and Up	87576	-



GLM Products, Inc.

GEARCASE SEAL KIT / SEAL & BEARING KIT APPLICATION

Model	Year	Country	Serial No. Range	Gearcase Seal Kit Mercury / Mariner	Seal & Bearing Kit w/out Fwd Bearing
10 (XR10, Sea Pro 10)	1990-93	USA	0D038000 and Up	87576	-
10 (XR10, Sea Pro 10)	1990-93	BEL	9596000 and Up	87576	-
10 Magnum / Marathon	1990-93	USA	0D038000 and Up	87576	-
10 Magnum / Marathon	1990-93	BEL	9596000 and Up	87576	-
15 (15, 15 Sea Pro / Marathon)	1988-93	USA	0B292414 and Up	87576	-
15 (15, 15 Sea Pro / Marathon)	1988-93	BEL	9927000 and Up	87576	-
15 XD Sea Pro / Marathon	1997-98	BEL	9927000 and Up	87808	-
15 (Super)	-	USA	0B238464 and Up	87808	-
15 (Super)	-	BEL	9507381 and Up	87808	-
15 (Super)	-	CAN	0A730007 and Up	87808	-
18	1980-83	USA	5837437-6443972	87575	-
18	1980-83	AUS	8071973 and Up	87575	-
18	1980-83	BEL	9308306-9415100	87575	-
18	1980-83	CAN	7173723-7209532	87575	-
18 (18XD)	1984-85	USA	6443973 and Up	87808	-
18 (18XD)	1984-85	BEL	9378151 and Up	87808	-
18 (18XD)	1984-85	CAN	7209533 and Up	87808	-
20 (20, 200)	1978-81	USA	4709593-6443972	87573	-
20 (20, 200)	1978-81	AUS	8045199 and Up	87573	-
20 (20, 200)	1978-81	BEL	9157230-9415100	87573	-
20 (20, 200)	1978-81	CAN	7098523-7209532	87573	-
20 (20, 20XD)	1986-87	USA	6443973 and Up	87808	-
20 (20, 20XD)	1986-87	BEL	9415101 and Up	87808	-
20 (20, 20XD)	1986-87	CAN	7209533 and Up	87808	-
25	1980-83	USA	5705532-6443972	87575	-
25	1980-83	AUS	8073158 and Up	87575	-
25	1980-83	BEL	9315316-9415100	87575	-
25	1980-83	CAN	7166928-7209532	87575	-
25 (25, 25XD)	1983 1/2	USA	6416713 and Up	87808	-
25 (25, 25XD)	1983 1/2	BEL	9378116 and Up	87808	-
25 (25, 25XD)	1983 1/2	CAN	7207858 and Up	87808	-
25 Lightning (3-Cyl.)	1997	USA	0E268781 and Up	87808	-
25 (4-Stroke)	1998	USA	0G590000 and Up	87514	-
30 (2-Cyl.) (644cc)	1994-98	USA	0G053314 and Up	87514	-
35 (2-Cyl.)	1984-86	USA	6445653 and Up	87530	-
35 (2-Cyl.)	1984-86	BEL	9384476 and Up	87530	-
35 (2-Cyl.)	1984-86	CAN	7209608 and Up	87530	-
40 (40, 402) (2-Cyl.)	1978-79	USA	4860103-0G053313	87530	-
40 (40, 402) (2-Cyl.)	1978-79	AUS	8052125 and Up	87530	-
40 (40, 402) (2-Cyl.)	1978-79	BEL	9184451 and Up	87530	-
40 (40, 402) (2-Cyl.)	1978-79	CAN	7112423 and Up	87530	-
40 (2-Cyl.) (644cc)	1994-98	USA	0G053314 and Up	87514	-
40 (4-Stroke) (Non Bigfoot)	1998	USA	0G231123 and Up	87514	-
40 (4-Cyl.)	1989-Up	USA	0C159200 and Up	87530	11870
40 (4-Cyl.)	1989-Up	BEL	9570790 and Up	87530	11870
40 (3-Cyl.)	1997-98	USA	0G531301 and Up	87514	11860
40 (3-Cyl.)	1997-98	BEL	9973100 and Up	87514	11860
45 Bodensee (4-Stroke) (Non Bigfoot)	1996-98	USA	0G231123 and Up	87514	-
45 (4-Cyl.)	1986	USA	5531630 and Up	87530	11870
45 (4-Cyl.)	1986	AUS	8063985 and Up	87530	11870
45 (4-Cyl.)	1986	BEL	9248006 and Up	87530	11870
45 (4-Cyl.)	1986	CAN	7143688 and Up	87530	11870
50 (4-Cyl.)	1980-85	USA	5531630 and Up	87530	11870
50 (4-Cyl.)	1980-85	AUS	8063985 and Up	87530	11870
50 (4-Cyl.)	1980-85	BEL	9248006 and Up	87530	11870
50 (4-Cyl.)	1980-85	CAN	7143688 and Up	87530	11870
50 (3-Cyl.)	1991-95	USA	0D000750-0G589999	87809	11850
50 (3-Cyl.)	1991-95	BEL	9683055-9973099	87809	11850
50 (3-Cyl.)	1998	USA	0G590000 and Up	87514	11860
50 (3-Cyl.)	1998	BEL	9973100 and Up	87514	11860
50 (3-Cyl.)	1986-87	USA	6428681-0D000749	87530	-
50 (3-Cyl.)	1986-87	BEL	9385911-9683054	87530	-
50 (3-Cyl.)	1986-87	CAN	7208333 and Up	87530	-
50 (4-Stroke) (Non Bigfoot)	1995-98	USA	0G231123 and Up	87514	-
50 (4-Stroke) (Bigfoot)	1995-98	USA	0G231123 and Up	87590	-
55 (3-Cyl.)	1996	USA	0D000750 and Up	87809	11850
55 (3-Cyl.)	1996	BEL	9741042 and Up	87809	11850
60 (3-Cyl.)	1984-87	USA	6428681-0D000749	87530	-
60 (3-Cyl.)	1984-87	BEL	9385911-9683054	87530	-
60 (3-Cyl.)	1984-87	CAN	7208333 and Up	87530	-
60 (3-Cyl.) (Bigfoot)	1991-95	USA	0D000750 and Up	87590	-
60 (3-Cyl.) (Bigfoot)	1991-95	BEL	9683055 and Up	87590	-
60 (3-Cyl.) Standard, Non Bigfoot	1991-95	USA	0D000750 and Up	87809	11850
60 (3-Cyl.) Standard, Non Bigfoot	1991-95	BEL	9683055 and Up	87809	11850
60 (3-Cyl.) 3 Jaw Rev. Clutch Bigfoot	1991-95	USA	0D000750-0G589999	87590	11830
60 (3-Cyl.) 3 Jaw Rev. Clutch Bigfoot	1991-95	BEL	9683055-9973099	87590	11830

GEARCASE SEAL KIT / SEAL & BEARING KIT APPLICATION

Model	Year	Country	Serial No. Range	Gearcase Seal Kit Mercury / Mariner	Seal & Bearing Kit w/out Fwd Bearing
60 (3-Cyl.) 6 Jaw Rev. Clutch Bigfoot	1991-95	USA	0D000750-0G589999	87590	11830
60 (3-Cyl.) 6 Jaw Rev. Clutch Bigfoot	1991-95	BEL	9683055-9973099	87590	11830
60 (3-Cyl.) 6 Jaw Rev. Clutch Bigfoot	1998	USA	590000 and Up	87590	11830
60 (3-Cyl.) 6 Jaw Rev. Clutch Bigfoot	1998	BEL	9973100 and Up	87590	11830
70 (3-Cyl.)	1977-79	USA	4571652-0A996141	87530	-
70 (3-Cyl.)	1977-79	AUS	8042350 and Up	87530	-
70 (3-Cyl.)	1977-79	BEL	9135825-9385910	87530	-
70 (3-Cyl.)	1977-79	CAN	7087823-7208332	87530	-
70 (3-Cyl.) 3 Jaw Rev. Clutch	1987	USA	0A996142-0C221999	87590	11830
70 (3-Cyl.) 3 Jaw Rev. Clutch	1987	BEL	9483121-9589038	87590	11830
70 (3-Cyl.) 6 Jaw Rev. Clutch	1987	USA	0A996142-0C221999	87590	11830
70 (3-Cyl.) 6 Jaw Rev. Clutch	1987	BEL	9483121-9589038	87590	11830
75 (3-Cyl.) 3 Jaw Rev. Clutch	1990-93	USA	0A996142 and Up	87590	11830
75 (3-Cyl.) 3 Jaw Rev. Clutch	1990-93	BEL	9483121 and Up	87590	11830
75 (3-Cyl.) 6 Jaw Rev. Clutch	1994-98	USA	0A996142 and Up	87590	11830
75 (3-Cyl.) 6 Jaw Rev. Clutch	1994-98	BEL	9483121 and Up	87590	11830
75 (4-Cyl.)	1984-88	USA	6432901 and Up	87520	-
75 (4-Cyl.)	1984-88	BEL	9393856 and Up	87520	-
75 (4-Cyl.)	1984-88	CAN	7208573 and Up	87520	-
80 (3-Cyl.) 3 Jaw Rev. Clutch	1987	USA	0A996142-0C221999	87590	11830
80 (3-Cyl.) 3 Jaw Rev. Clutch	1987	BEL	9483121-9589038	87590	11830
80 (3-Cyl.) 6 Jaw Rev. Clutch	1987	USA	0A996142-0C221999	87590	11830
80 (3-Cyl.) 6 Jaw Rev. Clutch	1987	BEL	9483121-9589038	87590	11830
80 (80, 800) (4-Cyl.)	1978-79	USA	4831999-6432900	87520	-
80 (80, 800) (4-Cyl.)	1978-79	AUS	8050200 and Up	87520	-
80 (80, 800) (4-Cyl.)	1978-79	BEL	9177626-9393855	87520	-
80 (80, 800) (4-Cyl.)	1978-79	CAN	7110998-7208572	87520	-
90 (3-Cyl.) 3 Jaw Rev. Clutch	1987	USA	0A996142 and Up	87590	11830
90 (3-Cyl.) 3 Jaw Rev. Clutch	1987	BEL	9483121 and Up	87590	11830
90 (3-Cyl.) 6 Jaw Rev. Clutch	1987	USA	0A996142 and Up	87590	11830
90 (3-Cyl.) 6 Jaw Rev. Clutch	1987	BEL	9483121 and Up	87590	11830
90 (90, 900) (6-Cyl.)	1978-79	USA	4845301 and Up	87520	-
90 (90, 900) (6-Cyl.)	1978-79	CAN	7111698 and Up	87520	-
90 (90, 900) (6-Cyl.)	1978-79	AUS	8060545 and Up	87520	-
100 (4-Cyl.) 3 Jaw Rev. Clutch	1988-93	USA	0B209468 and Up	87590	11830
100 (4-Cyl.) 3 Jaw Rev. Clutch	1988-93	BEL	9523034 and Up	87590	11830
100 High Altitude 3 Jaw Rev. Clutch	1988-93	USA	0B209468 and Up	87590	11830
100 High Altitude 3 Jaw Rev. Clutch	1988-93	BEL	9523034 and Up	87590	11830
100 (4-Cyl.) 6 Jaw Rev. Clutch	1988-98	USA	0B209468 and Up	87590	11830
100 (4-Cyl.) 6 Jaw Rev. Clutch	1988-98	BEL	9523034 and Up	87590	11830
100 High Altitude 6 Jaw Rev. Clutch	1988-93	USA	0B209468 and Up	87590	11830
100 High Altitude 6 Jaw Rev. Clutch	1988-93	BEL	9523034 and Up	87590	11830
115 (4-Cyl.) 3 Jaw Rev. Clutch	1988-93	USA	0C100000 and Up	87590	11830
115 (4-Cyl.) 3 Jaw Rev. Clutch	1988-93	BEL	9559771 and Up	87590	11830
115 High Altitude 3 Jaw Rev. Clutch	1989-93	USA	0C100000 and Up	87590	11830
115 High Altitude 3 Jaw Rev. Clutch	1989-93	BEL	9559771 and Up	87590	11830
115 (4-Cyl.) 6 Jaw Rev. Clutch	1989-93	USA	0C100000 and Up	87590	11830
115 (4-Cyl.) 6 Jaw Rev. Clutch	1989-93	BEL	9559771 and Up	87590	11830
115 High Altitude 6 Jaw Rev. Clutch	1989-93	USA	0C100000 and Up	87590	11830
115 High Altitude 6 Jaw Rev. Clutch	1989-93	BEL	9559771 and Up	87590	11830
115 (115, 1150) (6-Cyl.)	1978-79	USA	4855153 and Up	87520	-
115 (115, 1150) (6-Cyl.)	1978-79	AUS	8051950 and Up	87520	-
115 (115, 1150) (6-Cyl.)	1978-79	CAN	711248 and Up	87520	-
125 (4-Cyl.) 3 Jaw Rev. Clutch	1994-98	USA	0D283222 and Up	87590	11830
125 (4-Cyl.) 3 Jaw Rev. Clutch	1994-98	BEL	9793577 and Up	87590	11830
125 High Altitude 3 Jaw Rev. Clutch	1994-98	USA	0D283222 and Up	87590	11830
125 High Altitude 3 Jaw Rev. Clutch	1994-98	BEL	9793577 and Up	87590	11830
125 (4-Cyl.) 6 Jaw Rev. Clutch	1994-98	USA	0D283222 and Up	87590	11830
125 (4-Cyl.) 6 Jaw Rev. Clutch	1994-98	BEL	9793577 and Up	87590	11830
125 High Altitude 6 Jaw Rev. Clutch	1994-98	USA	0D283222 and Up	87590	11830
125 High Altitude 6 Jaw Rev. Clutch	1994-98	BEL	9793577 and Up	87590	11830
140 (140, 1400) (6-Cyl.)	1978-79	USA	4865678 and Up	87520	-
140 (140, 1400) (6-Cyl.)	1978-79	AUS	8052650 and Up	87520	-
140 (140, 1400) (6-Cyl.)	1978-79	CAN	7112773 and Up	87520	-
V-135 Std. Rotation, 2:1 Ratio, Ratcheting	1986-88	USA	0A904646-0G437999	87540	11810
V-135 Counter Rotation, Ratcheting	1989-90	USA	0C100861-0G437999	87540	-
V-135 Std. Rotation, 2:1 Ratio, Non-Ratcheting	1997-04	USA	0G438000 and Up	87540	11820
V-135 Counter Rotation, Non-Ratcheting	1997-04	USA	0G438000 and Up	87540	-
V-135 DFI Std. Rotation, 2:1, Non-Ratcheting	1998-04	USA	0G590000 and Up	87540	11810
V-135 DFI Counter Rotation, Non-Ratcheting	1998-04	USA	0G590000 and Up	87540	-
V-150 Std. Rotation, 2:1 Ratio, Ratcheting	1985	USA	6616991-0A904645	87520	11800
V-150 Std. Rotation, 2:1 Ratio, Ratcheting	1986-88	USA	0A904646-0G437999	87540	11810
V-150 Counter Rotation, 2:1, Ratcheting	1989-90	USA	0C100861-0G437999	87540	-
V-150 (XR4, MAG II) w/ 4-1/4" Dia. Torpedo	1988-91	USA	0C239553-04303045	87540	-
V-150 (XR4, MAG III) w/ 4-1/4" Dia. Torpedo	1988-91	USA	0D082000-0G437999	87540	11810
V-150 EFI Std. Rotation, 1.87:1, Ratcheting	1993-95	USA	0D082000-0G437999	87540	11810

GLM Products, Inc.

GEARCASE SEAL KIT / SEAL & BEARING KIT APPLICATION

Model	Year	Country	Serial No. Range	Gearcase Seal Kit Mercury / Mariner	Seal & Bearing Kit w/out Fwd Bearing
V-150 EFI Counter Rotation, 1.87:1, Ratcheting	1993-95	USA	0D082000-0G437999	87540	-
V-150 Std. Rotation, 2:1, Non-Ratcheting	1996-98	USA	0G438000 and Up	87540	11820
V-150 Counter Rotation, Non-Ratcheting	1996-98	USA	0G438000 and Up	87540	-
V-150 (XR6, MAG III) Std. Rot., 1.87:1, Non-Ratchet	1996-98	USA	0G438000 and Up	87540	11820
V-150 EFI Std. Rot., 1.87:1, Non-Ratcheting	1996-98	USA	0G438000 and Up	87540	11820
V-150 EFI Counter Rot., 1.87:1, Non-Ratcheting	1996-98	USA	0G438000 and Up	87540	-
V-150 DFI Std. Rot., 1.87:1, Non-Ratcheting	1998	USA	0G590000 and Up	87540	11820
V-150 DFI Counter Rot., 1.87:1, Non-Ratcheting	1998	USA	0G590000 and Up	87540	-
V-175 Std. Rot., w/ pre-load pin in drive shaft	1980-81	USA	5393737-6618750	87520	11800
V-175 Std. Rot., w/ pre-load pin in drive shaft	1980-81	AUS	8064250 and Up	87520	11800
V-175 Std. Rot., 1.87:1 Ratio, Ratcheting	1985-88	USA	6618751-0G437999	87540	11810
V-175 Counter Rot., 1.87:1 Ratio, Ratcheting	1985-88	USA	6618751-0G437999	87540	-
V-175 EFI Std. Rot., 1.87:1, Ratcheting	1991	USA	0D000750-0G437999	87540	11810
V-175 EFI Counter Rot., 1.87:1, Ratcheting	1991	USA	0D082000-0G437999	87540	-
V-175 Std. Rot., 1.87:1, Non-Ratcheting	1996-98	USA	0G438000 and Up	87540	11820
V-175 Counter Rot., 1.87:1, Non-Ratcheting	1996-98	USA	0G438000 and Up	87540	-
V-175 EFI Std. Rot., 1.87:1, Non-Ratcheting	1996-98	USA	0G438000 and Up	87540	11820
V-175 Counter Rot., 1.87:1, Non-Ratcheting	1996-98	USA	0G438000 and Up	87540	-
V-200 Std. Rot. w/ pre-load pin in drive shaft	1978-79	USA	5393737-6073191	87520	11800
V-200 Std. Rot. w/ pre-load pin in drive shaft	1980-81	AUS	8061595-8065672	87520	11800
V-200 Std. Rot. w/ pre-load pin in drive shaft	1982-84	USA	6073192-6625220	87520	11800
V-200 Std. Rot., 1.87:1, Ratcheting	1985-88	USA	6625221-0C291519	87540	11810
V-200 Counter Rot., 1.87:1, Ratcheting	1989-90	USA	0C100861-0G437999	87540	-
V-200 Std. Rot., 1.87:1, Ratcheting	1991	USA	0C291520-0G437999	87540	11810
V-200 EFI Std. Rot., 1.87:1, Ratcheting	1989-90	USA	0C100861-0C291519	87540	11810
V-200 EFI Std. Rot., 1.87:1, Ratcheting	1991	USA	0C291520-0G437999	87540	11810
V-200 EFI Counter Rot., 1.87:1, Ratcheting	1992-95	USA	0D082000-0G437999	87540	-
V-200 DFI Std. Rot., 1.87:1, Ratcheting	1997-04	USA	0G437999	87540	11840
V-200 DFI Std. Rot., 1.75:1, Non-Ratcheting	1997	USA	0G438000 and Up	87540	11840
V-200 DFI Counter Rot., 1.75:1, Ratcheting	1997	USA	0G386496-0G437999	87513	-
V-200 Std. Rot., 1.87:1, Non-Ratcheting	1996-98	USA	0G438000 and Up	87513	11820
V-200 Counter Rot., 1.87:1, Non-Ratcheting	1996-98	USA	0G438000 and Up	87513	-
V-200 EFI Std. Rot., 1.87:1, Non-Ratcheting	1996-98	USA	0G438000 and Up	87513	11820
V-200 Counter Rot., 1.87:1, Non-Ratcheting	1996-98	USA	0G438000 and Up	87513	-
V-200 DFI Counter Rot., 1.75:1, Non-Ratcheting	1997	USA	0G438000 and Up	87513	-
200 (3.0L) Std. Rot. & DFI, 1.75:1 Ratio	1998	USA	0G590000 and Up	87513	11840
225 (3.0L) DFI Std. Rot., 1.75:1 Ratio	1998	USA	0G590000 and Up	87513	11840
225 (3.0 Carb) Sea Pro Std. Rot., 1.62:1	1994-98	USA	0G437999 and Below	87513	11840
225 (3.0 Carb) Sea Pro Std. Rot., 1.75:1	1994-98	USA	0G437999 and Below	87513	11840
V-220 Std. Rot., 1.87:1 Ratio	1987-88	USA	B117316 and Up	87520	-
V-225 Std. Rot., w/ pre-load pin in drive shaft	1980-81	USA	5628028 and Up	87512	-
225 (3.0 Carb) Std. Rot., 1.62:1 Ratio	1994-98	USA	0D280813 and Up	87513	-
225 (3.0L) EFI Std. Rot., 1.75:1 Ratio	1995-98	USA	0G129222-0G437999	87513	11840
225 (3.0L) EFI Std. Rot., 1.75:1 Ratio	1995-98	USA	0G438000 and Up	87513	11840
225 (3.0L) EFI Std. Rot., 1.87:1 Ratio	1995-98	USA	0G438000 and Up	87513	11840
250 (3.0L) EFI Std. Rot., 1.75:1 Ratio	1995-98	USA	0G129222-0G437999	87513	11840
250 (3.0L) EFI Std. Rot., 1.75:1 Ratio	1995-98	USA	0G438000 and Up	87513	11840
250 (3.0L) EFI Std. Rot., 1.87:1 Ratio	1995-98	USA	0G438000 and Up	87513	11840
250 / 275 Std. Rotation	1989-94	USA	C101891 and Up	87513	11840
Verado	-	-	-	87515	-

GEARCASE SEAL KIT APPLICATION - FORCE

Model	Year	Gearcase Seal Kit	Model	Year	Gearcase Seal Kit
6, 7.5	1978-Up	87802	75	1980-83	87803
9.9, 15	All	87804	75	1996-97	87809
20, 25	1972-78	87805	85	1980-89	87803
25	1989	87810	85	1989	87807
25	1996-97	87808	90	1974-77	87810
35	1970-72	87800	90	1983	87803
35	1972 1/2	87810	90	1990-94	87807
35	1973	87800	90	1995-Up	87590
35	1974-75	87805	90	1990-91	87807
35	1986-91	87810	105	1970-76	87801
35	1989-91	87810	105	1979-83	87803
40	1992-94	87810	120	1990-94	87807
50	1984-94	87810	120	1995-Up	87590
55	1972 1/2-1974	87810	125	1983-89	87803
55	1978-82	87800	125	1989	87807
60	1984 & Before	87800	125	1989	87807
70	1970-73	87801	150	1989-94	87807
70	1979	87801			
70	1991-95	87809			
75	1975-79	87801			

Gearcase Gear Sets 40-250 HP



Inline 4 (40, 45, 50 HP)

11442	OEM: N/A 2.0:1 Ratio (13:26) Teeth	L4 40 HP (1989 & Up) SN# OC149200 & Up L4 45 HP (1986) SN# 5531630 & Up L4 50 HP (1980-1986) SN# 5531630 & Up
--------------	--	--

11452	OEM: 43-803497T1	Forward & Pinion Set
11462	OEM: 43-79158T	Reverse Gear 6 Jaw w/out Washer

3-Cylinder (40, 50 HP)

11444	OEM: N/A 1.83:1 Ratio (12:22) Teeth	3-Cylinder 40 HP (1991-1995) SN# OD000750-OG589999 3-Cylinder 50 HP (1994-2000) SN# OG590000 & Up
--------------	---	--

11454	OEM: 43-803498T1	Forward & Pinion Set
11464	OEM: 43-822163T1	Reverse Gear 6 Jaw w/out Spacer

3-Cylinder (50, 55, 60 HP)

11552	OEM: N/A 1.64:1 Ratio (14:23) Teeth	3-Cylinder 50 HP SN# OD000750-OG589999 3-Cylinder 55 HP SN# OD000750 & Up 3-Cylinder 60 HP SN# OD000750 & Up
--------------	---	---

11562	OEM: 43-803499T1	Forward & Pinion Set
11572	OEM: 43-813695T	Reverse Gear 3 Jaw w/out Spacer

3 & 4-Cylinder w/ 3 Jaw Reverse Clutch

11550	OEM: N/A 2.31:1 Ratio (13:30) Teeth	3-Cylinder 60 HP (0.85L) SN# OD000750-OG589999 3-Cylinder 70, 80 HP (1.40L) SN# OA996142-OC221999 3-Cylinder 70, 90 HP (1.40L) SN# OA996142 & Up L4 100, 115, 125 HP High Altitude SN# OB209468 & Up
--------------	---	---

11560	OEM: 43-803500T1	Forward & Pinion Set
--------------	------------------	----------------------

11570	OEM: 43-12635T	Reverse Gear 3 Jaw w/out Spacer
--------------	----------------	---------------------------------

3 & 4-Cylinder w/ 6 Jaw Reverse Clutch

11555	OEM: N/A 2.31:1 Ratio (13:30) Teeth	3-Cylinder 60 HP (0.85L) SN# OD000750 & Up 3-Cylinder 70, 80 HP (1.40L) SN# OA996142-OC221999 3-Cylinder 75, 90 HP (1.40L) SN# OA996142 & Up L4 100, 115, 125 HP High Altitude SN# OB209468 & Up
--------------	---	---

11565	OEM: 43-803501T1	Forward & Pinion Set
--------------	------------------	----------------------

11575	OEM: 43-850034T	Reverse Gear 6 Jaw w/out Spacer
--------------	-----------------	---------------------------------

Gearcase Gear Sets continued...

Inline 4 w/ 3 Jaw Reverse Clutch*

11556	OEM: N/A 2.07:1 Ratio (14:29) Teeth	L4 100 HP (1.85L) SN# OB209468-OG760299 L4 115 HP (1.85L) SN# OC100000-OG760299 L4 125 HP (1.85L) SN# OD283222-OG760299
--------------	---	--

11566	OEM: 43-803037T1	Forward & Pinion Set
--------------	------------------	----------------------

11576	OEM: 43-19671T	Reverse Gear 6 Jaw w/out Spacer
--------------	----------------	---------------------------------

*All Models use Forward 6 Jaw Ratcheting /
Reverse 3 Jaw Non-Ratcheting Style Clutch GLM No. 11061

Inline 4 w/ 6 Jaw Reverse Clutch*

11557	OEM: N/A 2.07:1 Ratio (14:29) Teeth	L4 100 HP (1.85L) SN# OB209468 & Up L4 115 HP (1.85L), 115 EFI (1.75L) SN# OC100000 & Up L4 115 OptiMax (1.50L) SN# OC100000 & Up L4 125 HP (1.85L) Classic SN# OD283222 & Up
--------------	---	--

11567	OEM: 43-881260A5	Forward & Pinion Set
--------------	------------------	----------------------

11577	OEM: 43-850036T	Reverse Gear 6 Jaw w/out Spacer
--------------	-----------------	---------------------------------

*All Models use Forward Ratcheting / Reverse Ratcheting
6 Jaw Style Clutch GLM No. 11063

Inline 6 Jaw (90-150 HP)

11330	OEM: N/A 2.0:1 Ratio (14:28) Teeth	L6 90 HP - SN# 4845301 & Up L6 115 HP - SN# 4855153 & Up L6 140 HP - SN# 4865678 & Up L6 150 HP - SN# 3502806 & Up
--------------	--	---

11350	OEM: 43-68447T1	Forward Gear
--------------	-----------------	--------------

11340	OEM: 43-68548T3	Pinion Gear
--------------	-----------------	-------------

11360	OEM: 43-76250T	Reverse Gear 3 Jaw w/out Spacer
--------------	----------------	---------------------------------

V6 (135, 150 HP)*

11660	OEM: 43-44102A2 2.0:1 Ratio (14:28) Teeth	V6 135 HP SN# OA904646-OG437999 V6 150 HP SN# OA904646-OG437999
--------------	---	--

11670	OEM: 43-44102A7	Forward & Pinion Set
--------------	-----------------	----------------------

11680	OEM: 43-824987A2	Reverse Gear 6 Jaw with Spacer
--------------	------------------	--------------------------------

*Use Ratcheting Style Clutch GLM No. 11062

V6 (150, 175, 200 HP) w/o Drive Shaft Nut*

11770	OEM: N/A 2.0:1 Ratio (14:28) Teeth	V6 150 HP Standard Rotation SN# 6616991-OA904645 V6 175 HP Standard Rotation SN# 5393737-668750 V6 200 HP standard Rotation SN# 5393737-6073191
--------------	--	--

11780	OEM: 43-803619T1	Forward & Pinion Set
--------------	------------------	----------------------

11790	OEM: 43-85462T	Reverse Gear 6 Jaw w/out Spacer
--------------	----------------	---------------------------------

*All Models with Pre-load Pin in Drive Shaft

V6 (150 XR6 & MAG III, 150 EFI, 150 DFI, 175 HP)*

11665	OEM: N/A 1.87:1 Ratio (15:28) Teeth	V6 150 XR6, MAG III & EFI Standard SN# OG438000 & Up V6 150 DFI Standard Rotation SN# OG590000 & Up V6 175, 175 EFI Standard Rotation SN# OG438000 & Up
--------------	---	--

11675	OEM: 43-803615T2	Forward & Pinion Set
--------------	------------------	----------------------

11685	OEM: 43-828175A1	Reverse Gear 6 Jaw with Spacer
--------------	------------------	--------------------------------

*All Models use Non-Ratcheting Style Clutch

GLM Products, Inc.

Gearcase Gear Sets continued...

V6 (150 XR4 & MAG III, 175, 200, 200 EFI, 220 HP)*		
11440	OEM: 43-44104A2 1.87:1 Ratio (15:28) Teeth	V6 150 XR4 & MAG III, 150 EFI Standard SN# OD082000-OG437999 V6 175, 175 EFI Standard Rotation SN# 661875-OG437999 V6 200, 200 EFI Standard Rotation SN# 6625221-OG437999 V6 220 HP Standard Rotation SN# B117316 & Up

11450	OEM: 43-44104A8	Forward & Pinion Set
11460	OEM: 43-824986A2	Reverse Gear 6 Jaw with Spacer

*All Models use Ratcheting Style Clutch GLM No. 11062

V6 (225, 250 HP) 3.0L Carb.*		
11313	OEM: N/A 1.62:1 Ratio (13:21) Teeth	V6 225 Sea Pro (3.0L Carb.) SN# OG245605-OG437999 V6 225 (3.0L Carb.) SN# OD280813-OG437999

11092	OEM: 43-878087A2	Forward & Pinion Set
11013	OEM: 43-828073A1	Reverse Gear 6 Jaw with Spacer

*All Models use Ratcheting Style Clutch GLM No. 11060

Gearcase Gear Set
& Seal Kit

V6 (200, 225 HP 3.0L DFI, 225, 250 3.0L)*		
11700	OEM: N/A 1.75:1 Ratio (12:21) Teeth	V6 200, 225 3.0L DFI Standard Rotation SN# OG438000 & Up V6 225, 250 3.0L EFI Standard Rotation SN# OG438000 & Up

11710	OEM: 43-859321A3	Forward & Pinion Set
11720	OEM: 43-859322A1	Reverse Gear 6 Jaw with Spacer

*All Models use Non-Ratcheting Style Clutch GLM No. 11064

LOWER GEARCASE GEARS APPLICATION

Model	Year	Country	Serial No. Range	Complete Gear Set	Forward & Pinion	Reverse Gear	Forward Bearing
40 (4-Cyl.)	1989-Up	USA	0C159200 and Up	11442	11452	11462	21630
40 (4-Cyl.)	1989-Up	BEL	9570790 and Up	11442	11452	11462	21630
45 (4-Cyl.)	1986	USA	5531630 and Up	11442	11452	11462	21630
45 (4-Cyl.)	1986	AUS	8063985 and Up	11442	11452	11462	21630
45 (4-Cyl.)	1986	BEL	9248006 and Up	11442	11452	11462	21630
45 (4-Cyl.)	1986	CAN	7143688 and Up	11442	11452	11462	21630
50 (4-Cyl.)	1980-85	USA	5531630 and Up	11442	11452	11462	21630
50 (4-Cyl.)	1980-85	AUS	8063985 and Up	11442	11452	11462	21630
50 (4-Cyl.)	1980-85	BEL	9248006 and Up	11442	11452	11462	21630
50 (4-Cyl.)	1980-85	CAN	7143688 and Up	11442	11452	11462	21630
40 (3-Cyl.)	1997-98	USA	0G531301 and Up	11444	11454	11464	21581
40 (3-Cyl.)	1997-98	BEL	9973100 and Up	11444	11454	11464	21581
50 (3-Cyl.)	1991-95	USA	0D000750-0G589999	11552	11562	11572	21541
50 (3-Cyl.)	1991-95	BEL	9683055-9973099	11552	11562	11572	21541
50 (3-Cyl.)	1998	USA	0G590000 and Up	11444	11454	11464	21581
50 (3-Cyl.)	1998	BEL	9973100 and Up	11444	11454	11464	21581
55 (3-Cyl.)	1996	USA	0D000750 and Up	11552	11562	11572	21541
55 (3-Cyl.)	1996	BEL	9741042 and Up	11552	11562	11572	21541
60 (3-Cyl.) Standard, Non-Bigfoot	1991-95	USA	0D000750 and Up	11552	11562	11572	21541
60 (3-Cyl.) Standard, Non-Bigfoot	1991-95	BEL	9683055 and Up	11552	11562	11572	21541
60 (3-Cyl.) 3 Jaw Rev. Clutch Bigfoot	1991-95	USA	0D000750-0G589999	11550	11560	11570	21820
60 (3-Cyl.) 3 Jaw Rev. Clutch Bigfoot	1991-95	BEL	9683055-9973099	11550	11560	11570	21820
60 (3-Cyl.) 6 Jaw Rev. Clutch Bigfoot	1991-95	USA	0D000750-0G589999	11555	11565	11575	21820
60 (3-Cyl.) 6 Jaw Rev. Clutch Bigfoot	1991-95	BEL	9683055-9973099	11555	11565	11575	21820
60 (3-Cyl.) 6 Jaw Rev. Clutch Bigfoot	1998	USA	590000 and Up	11555	11565	11575	21820
60 (3-Cyl.) 6 Jaw Rev. Clutch Bigfoot	1998	BEL	9973100 and Up	11555	11565	11575	21820
70 (3-Cyl.) 3 Jaw Rev. Clutch	1987	USA	0A996142-0C221999	11550	11560	11570	21820
70 (3-Cyl.) 3 Jaw Rev. Clutch	1987	BEL	9483121-9589038	11550	11560	11570	21820
70 (3-Cyl.) 6 Jaw Rev. Clutch	1987	USA	0A996142-0C221999	11555	11565	11575	21820
70 (3-Cyl.) 6 Jaw Rev. Clutch	1987	BEL	9483121-9589038	11555	11565	11575	21820
75 (3-Cyl.) 3 Jaw Rev. Clutch	1990-93	USA	0A996142 and Up	11550	11560	11570	21820
75 (3-Cyl.) 3 Jaw Rev. Clutch	1990-93	BEL	9483121 and Up	11550	11560	11570	21820
75 (3-Cyl.) 6 Jaw Rev. Clutch	1994-98	USA	0A996142 and Up	11555	11565	11575	21820
75 (3-Cyl.) 6 Jaw Rev. Clutch	1994-98	BEL	9483121 and Up	11555	11565	11575	21820
80 (3-Cyl.) 3 Jaw Rev. Clutch	1987	USA	0A996142-0C221999	11550	11560	11570	21820
80 (3-Cyl.) 3 Jaw Rev. Clutch	1987	BEL	9483121-9589038	11550	11560	11570	21820
80 (3-Cyl.) 6 Jaw Rev. Clutch	1987	USA	0A996142-0C221999	11555	11565	11575	21820
80 (3-Cyl.) 6 Jaw Rev. Clutch	1987	BEL	9483121-9589038	11555	11565	11575	21820
90 (3-Cyl.) 3 Jaw Rev. Clutch	1987	USA	0A996142 and Up	11550	11560	11570	21820
90 (3-Cyl.) 3 Jaw Rev. Clutch	1987	BEL	9483121 and Up	11550	11560	11570	21820
90 (3-Cyl.) 6 Jaw Rev. Clutch	1987	USA	0A996142 and Up	11555	11565	11575	21820
90 (3-Cyl.) 6 Jaw Rev. Clutch	1987	BEL	9483121 and Up	11555	11565	11575	21820
100 (4-Cyl.) 3 Jaw Rev. Clutch	1988-93	USA	0B209468 and Up	11556	11566	11576	21820
100 (4-Cyl.) 3 Jaw Rev. Clutch	1988-93	BEL	9523034 and Up	11556	11566	11576	21820
100 High Altitude 3 Jaw Rev. Clutch	1988-93	USA	0B209468 and Up	11550	11560	11570	21820
100 High Altitude 3 Jaw Rev. Clutch	1988-93	BEL	9523034 and Up	11550	11560	11570	21820
100 (4-Cyl.) 6 Jaw Rev. Clutch	1988-98	USA	0B209468 and Up	11557	11567	11577	21820

GLM Products, Inc.

LOWER GEARCASE GEARS APPLICATION

Model	Year	Country	Serial No. Range	Complete Gear Set	Forward & Pinion	Reverse Gear	Forward Bearing
100 (4-Cyl.) 6 Jaw Rev. Clutch	1988-98	BEL	9523034 and Up	11557	11567	11577	21820
100 High Altitude 6 Jaw Rev. Clutch	1988-93	USA	0B209468 and Up	11555	11565	11575	21820
100 High Altitude 6 Jaw Rev. Clutch	1988-93	BEL	9523034 and Up	11555	11565	11575	21820
115 (4-Cyl.) 3 Jaw Rev. Clutch	1988-93	USA	0C100000 and Up	11556	11566	11576	21820
115 (4-Cyl.) 3 Jaw Rev. Clutch	1988-93	BEL	9559771 and Up	11556	11566	11576	21820
115 High Altitude 3 Jaw Rev. Clutch	1989-93	USA	0C100000 and Up	11550	11560	11570	21820
115 High Altitude 3 Jaw Rev. Clutch	1989-93	BEL	9559771 and Up	11550	11560	11570	21820
115 (4-Cyl.) 6 Jaw Rev. Clutch	1989-93	USA	0C100000 and Up	11557	11567	11577	21820
115 (4-Cyl.) 6 Jaw Rev. Clutch	1989-93	BEL	9559771 and Up	11557	11567	11577	21820
115 High Altitude 6 Jaw Rev. Clutch	1989-93	USA	0C100000 and Up	11555	11565	11575	21820
115 High Altitude 6 Jaw Rev. Clutch	1989-93	BEL	9559771 and Up	11555	11565	11575	21820
125 (4-Cyl.) 3 Jaw Rev. Clutch	1994-98	USA	0D283222 and Up	11556	11565	11576	21820
125 (4-Cyl.) 3 Jaw Rev. Clutch	1994-98	BEL	9793577 and Up	11556	11565	11576	21820
125 High Altitude 3 Jaw Rev. Clutch	1994-98	USA	0D283222 and Up	11550	11560	11570	21820
125 High Altitude 3 Jaw Rev. Clutch	1994-98	BEL	9793577 and Up	11550	11560	11570	21820
125 (4-Cyl.) 6 Jaw Rev. Clutch	1994-98	USA	0D283222 and Up	11557	11567	11577	21820
125 (4-Cyl.) 6 Jaw Rev. Clutch	1994-98	BEL	9793577 and Up	11557	11567	11577	21820
125 High Altitude 6 Jaw Rev. Clutch	1994-98	USA	0D283222 and Up	11555	11565	11575	21820
125 High Altitude 6 Jaw Rev. Clutch	1994-98	BEL	9793577 and Up	11555	11565	11575	21820
V-135 Std. Rotation, 2:1 Ratio, Ratcheting	1986-88	USA	0A904646-0G437999	11660	11670	11680	21830
V-135 Counter Rotation, Ratcheting	1989-90	USA	0C100861-0G437999	-	-	-	21830
V-135 Std. Rotation, 2:1 Ratio, Non-Ratcheting	1997-04	USA	0G438000 and Up	-	-	-	21820
V-135 Counter Rotation, Non-Ratcheting	1997-04	USA	0G438000 and Up	-	-	-	21820
V-135 DFI Std. Rotation, 2:1, Non-Ratcheting	1998-04	USA	0G590000 and Up	-	-	-	21820
V-150 Std. Rotation, 2:1 Ratio, Ratcheting	1985	USA	6616991-0A904645	11770	11780	11790	21830
V-150 Std. Rotation, 2:1 Ratio, Ratcheting	1986-88	USA	0A904646-0G437999	11660	11670	11680	21830
V-150 Counter Rotation, 2:1, Ratcheting	1989-90	USA	0C100861-0G437999	-	-	-	21820
V-150 (XR4, MAG II) w/ 4-1/4" Dia. Torpedo	1988-91	USA	0C239553-04303045	-	-	-	21830
V-150 (XR4, MAG III) w/ 4-1/4" Dia. Torpedo	1988-91	USA	0D082000-0G437999	11440	11450	11460	21830
V-150 EFI Std. Rotation, 1.87:1, Ratcheting	1993-95	USA	0D082000-0G437999	11440	11450	11460	21830
V-150 Std. Rotation, 2:1, Non-Ratcheting	1996-98	USA	0G438000 and Up	-	-	-	21820
V-150 (XR6, MAG III) Std. Rot., 1.87:1, Non-Ratcheting	1996-98	USA	0G438000 and Up	11665	11675	11685	21820
V-150 EFI Std. Rot., 1.87:1, Non-Ratcheting	1996-98	USA	0G438000 and Up	11665	11675	11685	21820
V-150 DFI Std. Rot., 1.87:1, Non-Ratcheting	1998	USA	0G590000 and Up	11665	11675	11685	21820
V-175 Std. Rot., w/ pre-load pin in drive shaft	1980-81	USA	5393737-6618750	11770	11780	11790	21830
V-175 Std. Rot., w/ pre-load pin in drive shaft	1980-81	AUS	8064250 and Up	11770	11780	11790	21830
V-175 Std. Rot., 1.87:1 Ratio, Ratcheting	1985-88	USA	6618751-0G437999	11440	11450	11460	21830
V-175 Counter Rot., 1.87:1 Ratio, Ratcheting	1985-88	USA	6618751-0G437999	-	-	-	21830
V-175 EFI Std. Rot., 1.87:1, Ratcheting	1991	USA	0D000750-0G437999	11440	11450	11460	21830
V-175 EFI Counter Rot., 1.87:1, Ratcheting	1991	USA	0D082000-0G437999	-	-	-	21830
V-175 Std. Rot., 1.87:1, Non-Ratcheting	1996-98	USA	0G438000 and Up	11665	11675	11685	21820
V-175 Counter Rot., 1.87:1, Non-Ratcheting	1996-98	USA	0G438000 and Up	-	-	-	21820
V-175 EFI Std. Rot., 1.87:1, Non-Ratcheting	1996-98	USA	0G438000 and Up	11665	11675	11685	21820
V-175 Counter Rot., 1.87:1, Non-Ratcheting	1996-98	USA	0G438000 and Up	-	-	-	21820
V-200 Std. Rot. w/ pre-load pin in drive shaft	1978-79	USA	5393737-6073191	11770	11780	11790	21830
V-200 Std. Rot. w/ pre-load pin in drive shaft	1980-81	AUS	8061595-8065672	11770	11780	11790	21830
V-200 Std. Rot. w/ pre-load pin in drive shaft	1982-84	USA	6073192-6625220	-	-	-	21830
V-200 Std. Rot., 1.87:1, Ratcheting	1985-88	USA	6625221-0C291519	11440	11450	11460	21830
V-200 Std. Rot., 1.87:1, Ratcheting	1991	USA	0C291520-0G437999	11440	11450	11460	21830
V-200 EFI Std. Rot., 1.87:1, Ratcheting	1989-90	USA	0C100861-0C291519	11440	11450	11460	21830
V-200 EFI Std. Rot., 1.87:1, Ratcheting	1991	USA	0C291520-0G437999	11440	11450	11460	21830
V-200 EFI Counter Rot., 1.87:1, Ratcheting	1992-95	USA	0D082000-0G437999	-	-	-	21830
V-200 DFI Std. Rot., 1.87:1, Ratcheting	1997-04	USA	0G437999	-	-	-	21590
V-200 DFI Std. Rot., 1.75:1, Non-Ratcheting	1997	USA	0G438000 and Up	11700	11710	11720	21820
V-200 DFI Counter Rot., 1.75:1, Ratcheting	1997	USA	0G386496-0G437999	-	-	-	21590
V-200 Std. Rot., 1.87:1, Non-Ratcheting	1996-98	USA	0G438000 and Up	11665	11675	11685	21820
V-200 Counter Rot., 1.87:1, Non-Ratcheting	1996-98	USA	0G438000 and Up	-	-	-	21820
V-200 EFI Std. Rot., 1.87:1, Non-Ratcheting	1996-98	USA	0G438000 and Up	11665	11675	11685	21820
V-200 Counter Rot., 1.87:1, Non-Ratcheting	1996-98	USA	0G438000 and Up	-	-	-	21820
V-200 DFI Counter Rot., 1.75:1, Non-Ratcheting	1997	USA	0G438000 and Up	-	-	-	21820
200 (3.0L) DFI Std. Rot., 1.75:1 Ratio	1998	USA	0G590000 and Up	11700	11710	11720	21820
200 (3.0L) Std. Rot., 1.75:1 Ratio	1998	USA	0G590000 and Up	11700	11710	11720	21820
225 (3.0L) DFI Std. Rot., 1.75:1 Ratio	1998	USA	0G590000 and Up	11700	11710	11720	21820
225 (3.0 Carb) Sea Pro Std. Rot., 1.62:1	1994-98	USA	0G437999 and Below	11312	11091	11013	21590/21593
225 (3.0 Carb) Sea Pro Std. Rot., 1.75:1	1994-98	USA	0G437999 and Below	11470	11480	11490	21590/21593
V-220 Std. Rot., 1.87:1 Ratio	1987-88	USA	B117316 and Up	11440	11450	11460	21830
V-225 Std. Rot., w/ pre-load pin in drive shaft	1980-81	USA	5628028 and Up	-	-	-	21830
225 (3.0 Carb) Std. Rot., 1.62:1 Ratio	1994-98	USA	0D280813 and Up	11312	11091	11013	21590/21593
225 (3.0L) EFI Std. Rot., 1.75:1 Ratio	1995-98	USA	0G129222-0G437999	11470	11480	11490	21820
225 (3.0L) EFI Std. Rot., 1.75:1 Ratio	1995-98	USA	0G438000 and Up	11700	11710	11720	21820
225 (3.0L) EFI Std. Rot., 1.87:1 Ratio	1995-98	USA	0G438000 and Up	11730	11740	11750	21820
250 (3.0L) EFI Std. Rot., 1.75:1 Ratio	1995-98	USA	0G129222-0G437999	11700	11710	11720	21820
250 (3.0L) EFI Std. Rot., 1.75:1 Ratio	1995-98	USA	0G438000 and Up	11700	11710	11720	21820
250 (3.0L) EFI Std. Rot., 1.87:1 Ratio	1995-98	USA	0G438000 and Up	-	-	-	21820
250 / 275 Std. Rotation	1989-94	USA	C101891 and Up	-	-	-	21590

GLM Products, Inc.

Shift Components
25-50 HP (2 & 3-Cyl.)

11950	OEM: 52-803486T1	Clutch & Cam Follower Kit (*)
11047*	OEM: 43-38114	Spring (for Clutch Dog)
21106*	OEM: 17-85093	Cross Pin
11066*	OEM: 52-812314T	Clutch Dog
11186*	OEM: 821578	Cam Follower
11046*	OEM: 24-826199-1	Spring (for Cam Follower)
21465	OEM: 823548	Cable Tie
89083	OEM: 822158	Boot
82230	OEM: 25-26855	O-ring (large)
45230	OEM: 25-85594	O-ring (small)
21490	OEM: 12-29245	Washer

* Included in Kit No. 11950

Shift Components
50, 55, 60 HP (3-Cyl.)

11940	OEM: 52-803487T1	Clutch & Cam Follower Kit (*)
11050*	OEM: 24-30893	Spring
21107*	OEM: 17-38113	Cross Pin
11063*	OEM: 52-850048T	Clutch Dog
11188*	OEM: 812929-1	Cam Follower
21091*	OEM: 20843	Slide
11184*	OEM: 76039-4	Shift Cam
11048*	OEM: 24-815418	Spring
85581	OEM: 26-816464-1	Oil Seal
21022	OEM: 23-813696A2	Bushing Assy. w/ Oil Seal
81200	OEM: 25-45258	O-ring
21136	OEM: 53-29641	Retaining Ring

* Included in Kit No. 11940

Shift Components
35-70 HP (2, 3 & 4-Cyl.)

11960	OEM: 52-803492T1	Clutch & Cam Follower Kit (*)
11047*	OEM: 43-38114	Spring
21107*	OEM: 17-38113	Cross Pin
11065*	OEM: 52-92911T	Clutch Dog
11187*	OEM: 38441	Cam Follower
21091*	OEM: 20843	Slide
11184*	OEM: 76039-4	Shift Cam
11049*	OEM: 24-39845	Spring
45230	OEM: 25-85594	O-ring
30030	OEM: 12-77674	Gasket
85581	OEM: 26-816464-1	Oil Seal
21020	OEM: 23-77631A2	Bushing Assy. w/ Oil Seal
81180	OEM: 25-25439	O-ring
21136	OEM: 53-29641	Retaining Ring

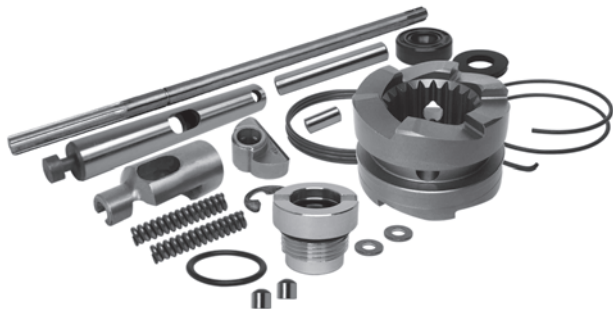
* Included in Kit No. 11960

Shift Components
55, 60-125 HP (3 & 4-Cyl.)

11900	OEM: 52-803488T1	Clutch & Cam Follower Kit - 3 Jaw(*)
11910	OEM: 52-803489T1	Clutch & Cam Follower Kit - 6 Jaw(+)
11050*+	OEM: 24-30893	Spring
21131*+	OEM: 17-30632	Cross Pin
11061*	OEM: 52-822539T	Clutch Dog - 3 Jaw
11063+	OEM: 52-850048T	Clutch Dog - 6 Jaw
11034*	OEM: 24-30622	Spring - 3 Jaw
11036	OEM: 24-850327	Spring - 6 Jaw
11182*+	OEM: 850315A1	Cam Follower Kit
11184*	OEM: 76039-4	Shift Cam - 3 Jaw
11185+	OEM: 850307	Shift Cam - 6 Jaw
85581	OEM: 26-816464-1	Oil Seal
21024	OEM: 23-43052A4	Bushing Assy. w/ Oil Seal
81275	OEM: 25-45710-1	O-ring
21136	OEM: 53-29641	Retaining Ring

* Included in Kit No. 11900 / + Included in Kit No. 11910

Shift Components - L4, L6 & V6



11920	OEM: 52-803490T1	Clutch & Cam Follower Kit w/ Ratcheting Clutch (*)
11930	OEM: 52-803491T1	Clutch & Cam Follower Kit w/ Non-Ratcheting Clutch (+)
11050+	OEM: 24-30893	Spring (for 11060, 11061 & 11064)
11059*	OEM: 24-78962	Spring (for 11062)
11060	OEM: 52-853594T	Clutch Dog
11061	OEM: 52-822539T	Clutch Dog
11064+	OEM: 52-859340T	Clutch Dog
11062*	OEM: 52-823174T	Clutch Dog
21131+	OEM: 17-30632	Cross Pin (for 11050)
21102*	OEM: 17-78905	Cross Pin (for 11059)
26420*	OEM: 79911A1	Rod Kit
11180*+	OEM: 89594A1	Cam Follower Kit
26430+	OEM: 828827	Rod
21103*	OEM: 17-78909	Detent Pin
21104+	OEM: 17-828356	Detent Pin
30030	OEM: 12-77674	Gasket

85581	OEM: 26-816464-1	Oil Seal
21020	OEM: 23-77631A2	Bushing Assy. w/ Oil Seal
81180	OEM: 25-25439	O-ring
21136	OEM: 341280	Retaining Ring
21150	OEM: 76062A1	Shift Shaft

* Included in Kit No. 11920 / + Included in Kit No. 11930

Shift Components - V6 (3.0L)



11050	OEM: 24-30893	Spring
21131	OEM: 17-30632	Cross Pin
11060	OEM: 52-853594T	Clutch Dog
11064	OEM: 52-859340T	Clutch Dog
21104	OEM: 17-828356	Detent Pin
11030	OEM: 818349T1	Shift Spool
30030	OEM: 12-77674	Gasket
85581	OEM: 26-816464-1	Oil Seal
21018	OEM: 23-815921A4	Bushing Assy. w/ Oil Seal
81175	OEM: 25-36318	O-ring

SHIFT COMPONENTS APPLICATION

Model	Year	Country	Serial No. Range	Clutch & Cam Follower Kit	Clutch Dog
40 (4-Cyl.)	1989-Up	USA	0C159200 and Up	11960	11065
40 (4-Cyl.)	1989-Up	BEL	9570790 and Up	11960	11065
45 (4-Cyl.)	1986	USA	5531630 and Up	11960	11065
45 (4-Cyl.)	1986	AUS	8063985 and Up	11960	11065
45 (4-Cyl.)	1986	BEL	9248006 and Up	11960	11065
45 (4-Cyl.)	1986	CAN	7143688 and Up	11960	11065
50 (4-Cyl.)	1980-85	USA	5531630 and Up	11960	11065
50 (4-Cyl.)	1980-85	AUS	8063985 and Up	11960	11065
50 (4-Cyl.)	1980-85	BEL	9248006 and Up	11960	11065
50 (4-Cyl.)	1980-85	CAN	7143688 and Up	11960	11065
40 (3-Cyl.)	1997-98	USA	0G531301 and Up	11950	11066
40 (3-Cyl.)	1997-98	BEL	9973100 and Up	11950	11066
50 (3-Cyl.)	1991-95	USA	0D000750-0G589999	11940	11063
50 (3-Cyl.)	1991-95	BEL	9683055-9973099	11940	11063
50 (3-Cyl.)	1998	USA	0G590000 and Up	11950	11066
50 (3-Cyl.)	1998	BEL	9973100 and Up	11950	11066
55 (3-Cyl.)	1996	USA	0D000750 and Up	11940	11063
55 (3-Cyl.)	1996	BEL	9741042 and Up	11940	11063
60 (3-Cyl.) Standard, Non Bigfoot	1991-95	USA	0D000750 and Up	11940	11063
60 (3-Cyl.) Standard, Non Bigfoot	1991-95	BEL	9683055 and Up	11940	11063
60 (3-Cyl.) 3 Jaw Rev. Clutch Bigfoot	1991-95	USA	0D000750-0G589999	11900	11061
60 (3-Cyl.) 3 Jaw Rev. Clutch Bigfoot	1991-95	BEL	9683055-9973099	11900	11061
60 (3-Cyl.) 6 Jaw Rev. Clutch Bigfoot	1991-95	USA	0D000750-0G589999	11910	11063
60 (3-Cyl.) 6 Jaw Rev. Clutch Bigfoot	1991-95	BEL	9683055-9973099	11910	11063
60 (3-Cyl.) 6 Jaw Rev. Clutch Bigfoot	1998	USA	590000 and Up	11910	11063
60 (3-Cyl.) 6 Jaw Rev. Clutch Bigfoot	1998	BEL	9973100 and Up	11910	11063
70 (3-Cyl.) 3 Jaw Rev. Clutch	1987	USA	0A996142-0C221999	11900	11061
70 (3-Cyl.) 3 Jaw Rev. Clutch	1987	BEL	9483121-9589038	11900	11061
70 (3-Cyl.) 6 Jaw Rev. Clutch	1987	USA	0A996142-0C221999	11910	11063

GLM Products, Inc.

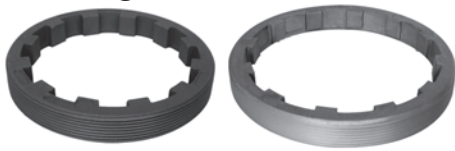
SHIFT COMPONENTS APPLICATION CONTINUED...

Model	Year	Country	Serial No. Range	Clutch & Cam Follower Kit	Clutch Dog
70 (3-Cyl.) 6 Jaw Rev. Clutch	1987	BEL	9483121-9589038	11910	11063
75 (3-Cyl.) 3 Jaw Rev. Clutch	1990-93	USA	0A996142 and Up	11900	11061
75 (3-Cyl.) 3 Jaw Rev. Clutch	1990-93	BEL	9483121 and Up	11900	11061
75 (3-Cyl.) 6 Jaw Rev. Clutch	1994-98	USA	0A996142 and Up	11910	11063
75 (3-Cyl.) 6 Jaw Rev. Clutch	1994-98	BEL	9483121 and Up	11910	11063
80 (3-Cyl.) 3 Jaw Rev. Clutch	1987	USA	0A996142-0C221999	11900	11061
80 (3-Cyl.) 3 Jaw Rev. Clutch	1987	BEL	9483121-9589038	11900	11061
80 (3-Cyl.) 6 Jaw Rev. Clutch	1987	USA	0A996142-0C221999	11910	11063
80 (3-Cyl.) 6 Jaw Rev. Clutch	1987	BEL	9483121-9589038	11910	11063
90 (3-Cyl.) 3 Jaw Rev. Clutch	1987	USA	0A996142 and Up	11900	11061
90 (3-Cyl.) 3 Jaw Rev. Clutch	1987	BEL	9483121 and Up	11900	11061
90 (3-Cyl.) 6 Jaw Rev. Clutch	1987	USA	0A996142 and Up	11910	11063
90 (3-Cyl.) 6 Jaw Rev. Clutch	1987	BEL	9483121 and Up	11910	11063
100 (4-Cyl.) 3 Jaw Rev. Clutch	1988-93	USA	0B209468 and Up	11900	11061
100 (4-Cyl.) 3 Jaw Rev. Clutch	1988-93	BEL	9523034 and Up	11900	11061
100 High Altitude 3 Jaw Rev. Clutch	1988-93	USA	0B209468 and Up	11900	11061
100 High Altitude 3 Jaw Rev. Clutch	1988-93	BEL	9523034 and Up	11900	11061
100 (4-Cyl.) 6 Jaw Rev. Clutch	1988-98	USA	0B209468 and Up	11910	11063
100 (4-Cyl.) 6 Jaw Rev. Clutch	1988-98	BEL	9523034 and Up	11910	11063
100 High Altitude 6 Jaw Rev. Clutch	1988-93	USA	0B209468 and Up	11910	11063
100 High Altitude 6 Jaw Rev. Clutch	1988-93	BEL	9523034 and Up	11910	11063
115 (4-Cyl.) 3 Jaw Rev. Clutch	1988-93	USA	0C100000 and Up	11900	11061
115 (4-Cyl.) 3 Jaw Rev. Clutch	1988-93	BEL	9559771 and Up	11900	11061
115 High Altitude 3 Jaw Rev. Clutch	1989-93	USA	0C100000 and Up	11900	11061
115 High Altitude 3 Jaw Rev. Clutch	1989-93	BEL	9559771 and Up	11900	11061
115 (4-Cyl.) 6 Jaw Rev. Clutch	1989-93	USA	0C100000 and Up	11910	11063
115 (4-Cyl.) 6 Jaw Rev. Clutch	1989-93	BEL	9559771 and Up	11910	11063
115 High Altitude 6 Jaw Rev. Clutch	1989-93	USA	0C100000 and Up	11910	11063
115 High Altitude 6 Jaw Rev. Clutch	1989-93	BEL	9559771 and Up	11910	11063
125 (4-Cyl.) 3 Jaw Rev. Clutch	1994-98	USA	0D283222 and Up	11900	11061
125 (4-Cyl.) 3 Jaw Rev. Clutch	1994-98	BEL	9793577 and Up	11900	11061
125 High Altitude 3 Jaw Rev. Clutch	1994-98	USA	0D283222 and Up	11900	11061
125 High Altitude 3 Jaw Rev. Clutch	1994-98	BEL	9793577 and Up	11900	11061
125 (4-Cyl.) 6 Jaw Rev. Clutch	1994-98	USA	0D283222 and Up	11910	11063
125 (4-Cyl.) 6 Jaw Rev. Clutch	1994-98	BEL	9793577 and Up	11910	11063
125 High Altitude 6 Jaw Rev. Clutch	1994-98	USA	0D283222 and Up	11910	11063
125 High Altitude 6 Jaw Rev. Clutch	1994-98	BEL	9793577 and Up	11910	11063
V-135 Std. Rotation, 2:1 Ratio, Ratcheting	1986-88	USA	0A904646-0G437999	11920	11062
V-135 Counter Rotation, Ratcheting	1989-90	USA	0C100861-0G437999	11920	11062
V-135 Std. Rotation, 2:1 Ratio, Non-Ratcheting	1997-04	USA	0G438000 and Up	11930	11064
V-135 Counter Rotation, Non-Ratcheting	1997-04	USA	0G438000 and Up	11930	11064
V-135 DFI Std. Rotation, 2:1, Non-Ratcheting	1998-04	USA	0G590000 and Up	11930	11064
V-135 DFI Counter Rotation, Non-Ratcheting	1998-04	USA	0G590000 and Up	11930	11064
V-150 Std. Rotation, 2:1 Ratio, Ratcheting	1985	USA	6616991-0A904645	11920	11062
V-150 Std. Rotation, 2:1 Ratio, Ratcheting	1986-88	USA	0A904646-0G437999	11920	11062
V-150 Counter Rotation, 2:1, Ratcheting	1989-90	USA	0C100861-0G437999	11920	11062
V-150 (XR4, MAG II) w/ 4-1/4" Dia. Torpedo	1988-91	USA	0C239553-04303045	11900	11061
V-150 (XR4, MAG III) w/ 4-1/4" Dia. Torpedo	1988-91	USA	0D082000-0G437999	11920	11062
V-150 EFI Std. Rotation, 1.87:1, Ratcheting	1993-95	USA	0D082000-0G437999	11920	11062
V-150 EFI Counter Rotation, 1.87:1, Ratcheting	1993-95	USA	0D082000-0G437999	11920	11062
V-150 Std. Rotation, 2:1, Non-Ratcheting	1996-98	USA	0G438000 and Up	11930	11064
V-150 Counter Rotation, Non-Ratcheting	1996-98	USA	0G438000 and Up	11930	11064
V-150 (XR6, MAG III) Std. Rot., 1.87:1, Non-Ratcheting	1996-98	USA	0G438000 and Up	11930	11064
V-150 EFI Std. Rot., 1.87:1, Non-Ratcheting	1996-98	USA	0G438000 and Up	11930	11064
V-150 EFI Counter Rot., 1.87:1, Non-Ratcheting	1996-98	USA	0G438000 and Up	11930	11064
V-150 DFI Std. Rot., 1.87:1, Non-Ratcheting	1998	USA	0G590000 and Up	11930	11064
V-150 DFI Counter Rot., 1.87:1, Non-Ratcheting	1998	USA	0G590000 and Up	11930	11064
V-175 Std. Rot., w/ pre-load pin in drive shaft	1980-81	USA	5393737-6618750	11920	11062
V-175 Std. Rot., w/ pre-load pin in drive shaft	1980-81	AUS	8064250 and Up	11920	11062
V-175 Std. Rot., 1.87:1 Ratio, Ratcheting	1985-88	USA	6618751-0G437999	11920	11062
V-175 Counter Rot., 1.87:1 Ratio, Ratcheting	1985-88	USA	6618751-0G437999	11920	11062
V-175 EFI Std. Rot., 1.87:1, Ratcheting	1991	USA	0D000750-0G437999	11920	11062
V-175 EFI Counter Rot., 1.87:1, Ratcheting	1991	USA	0D082000-0G437999	11920	11062
V-175 Std. Rot., 1.87:1, Non-Ratcheting	1996-98	USA	0G438000 and Up	11920	11062
V-175 Counter Rot., 1.87:1, Non-Ratcheting	1996-98	USA	0G438000 and Up	11930	11064
V-175 EFI Std. Rot., 1.87:1, Non-Ratcheting	1996-98	USA	0G438000 and Up	11930	11064
V-175 Counter Rot., 1.87:1, Non-Ratcheting	1996-98	USA	0G438000 and Up	11930	11064

SHIFT COMPONENTS APPLICATION CONTINUED...

Model	Year	Country	Serial No. Range	Clutch & Cam Follower Kit	Clutch Dog
V-200 Std. Rot. w/ pre-load pin in drive shaft	1978-79	USA	5393737-6073191	11920	11062
V-200 Std. Rot. w/ pre-load pin in drive shaft	1980-81	AUS	8061595-8065672	11920	11062
V-200 Std. Rot. w/ pre-load pin in drive shaft	1982-84	USA	6073192-6625220	11920	11062
V-200 Std. Rot., 1.87:1, Ratcheting	1985-88	USA	6625221-0C291519	11920	11062
V-200 Counter Rot., 1.87:1, Ratcheting	1989-90	USA	0C100861-0G437999	11920	11062
V-200 Std. Rot., 1.87:1, Ratcheting	1991	USA	0C291520-0G437999	11920	11062
V-200 EFI Std. Rot., 1.87:1, Ratcheting	1989-90	USA	0C100861-0C291519	11920	11062
V-200 EFI Std. Rot., 1.87:1, Ratcheting	1991	USA	0C291520-0G437999	11920	11062
V-200 EFI Counter Rot., 1.87:1, Ratcheting	1992-95	USA	0D082000-0G437999	11920	11062
V-200 DFI Std. Rot., 1.87:1, Ratcheting	1997-04	USA	0G437999	11920	11060
V-200 DFI Std. Rot., 1.75:1, Non-Ratcheting	1997	USA	0G438000 and Up	11930	11064
V-200 DFI Counter Rot., 1.75:1, Ratcheting	1997	USA	0G386496-0G437999	11920	11062
V-200 Std. Rot., 1.87:1, Non-Ratcheting	1996-98	USA	0G438000 and Up	11930	11064
V-200 Counter Rot., 1.87:1, Non-Ratcheting	1996-98	USA	0G438000 and Up	11930	11064
V-200 EFI Std. Rot., 1.87:1, Non-Ratcheting	1996-98	USA	0G438000 and Up	11930	11064
V-200 Counter Rot., 1.87:1, Non-Ratcheting	1996-98	USA	0G438000 and Up	11930	11064
V-200 DFI Counter Rot., 1.75:1, Non-Ratcheting	1997	USA	0G438000 and Up	11930	11064
200 (3.0L) DFI Std. Rot., 1.75:1 Ratio	1998	USA	0G590000 and Up	-	11064
200 (3.0L) Std. Rot., 1.75:1 Ratio	1998	USA	0G590000 and Up	-	11064
225 (3.0L) DFI Std. Rot., 1.75:1 Ratio	1998	USA	0G590000 and Up	-	11064
225 (3.0 Carb) Sea Pro Std. Rot., 1.62:1	1994-98	USA	0G437999 and Below	-	11060
225 (3.0 Carb) Sea Pro Std. Rot., 1.75:1	1994-98	USA	0G437999 and Below	-	11060
V-220 Std. Rot., 1.87:1 Ratio	1987-88	USA	B117316 and Up	-	11062
V-225 Std. Rot., w/ pre-load pin in drive shaft	1980-81	USA	5628028 and Up	-	11062
225 (3.0 Carb) Std. Rot., 1.62:1 Ratio	1994-98	USA	0D280813 and Up	-	11060
225 (3.0L) EFI Std. Rot., 1.75:1 Ratio	1995-98	USA	0G129222-0G437999	-	11060
225 (3.0L) EFI Std. Rot., 1.75:1 Ratio	1995-98	USA	0G438000 and Up	-	11064
225 (3.0L) EFI Std. Rot., 1.87:1 Ratio	1995-98	USA	0G438000 and Up	-	11064
250 (3.0L) EFI Std. Rot., 1.75:1 Ratio	1995-98	USA	0G129222-0G437999	-	11060
250 (3.0L) EFI Std. Rot., 1.75:1 Ratio	1995-98	USA	0G438000 and Up	-	11064
250 (3.0L) EFI Std. Rot., 1.87:1 Ratio	1995-98	USA	0G438000 and Up	-	11064

Bearing Carrier Cover Nuts



21110 OEM: 52699 | 21120 OEM: 79448

Bearing Carrier Tab Washers



11380 OEM: 14-79447 | 11381 OEM: 14-18323

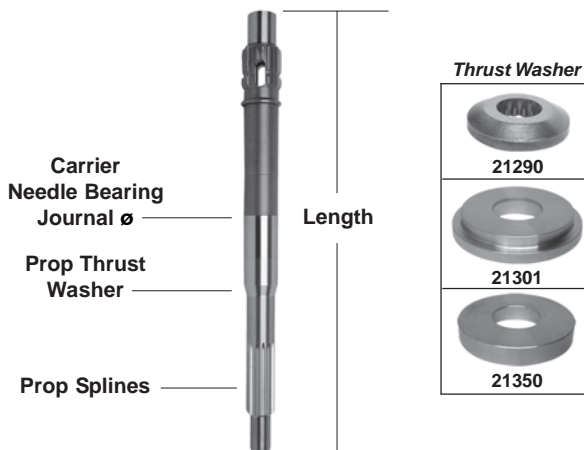
BEARING CARRIER COVER NUT & TAB WASHER APPLICATION

Make	Model/Year	Cover Nut	Tab Washer	Make	Model/Year	Cover Nut	Tab Washer
M/M/F	L4, L6 & V6 (65-225 HP)	21120	11380	Mercury	1350	21110	11380
M/M/F	3.0L (200 DFI, 225 Carb., 225 & 250 EFI)	21120	11381	Mercury	140	21110	11380
M/M/F	4-Stroke Verado	21120	11380	Mercury	140 Jet	21110	11380
Mariner	105 Jet	21110	11380	Mercury	1400	21110	11380
Mariner	115 (6-Cyl.)	21110	11380	Mercury	1400, 140	21110	11380
Mariner	140	21110	11380	Mercury	1500	21110	11380
Mariner	140 Jet	21110	11380	Mercury	1500XS	21110	11380
Mariner	75 (4-Cyl.)	21110	11380	Mercury	650 (4-Cyl.)	21110	11380
Mariner	80	21110	11380	Mercury	75 (4-Cyl.)	21110	11380
Mariner	85	21110	11380	Mercury	800 (4-Cyl.), 80 (4-Cyl.)	21110	11380
Mariner	90 (6-Cyl.)	21110	11380	Mercury	850 (4-Cyl.)	21110	11380
Mariner	Magnum II	21110	11380	Mercury	90 (6-Cyl.)	21110	11380
Mariner	Magnum III	21110	11380	Mercury	1500	21110	11380
Mariner	V-135 thru V-200 (including Mag/EFI & SKI)	21110	11380	Mercury	1500XS	21110	11380
MerCruiser	80 Renault 80 I/L4 (1966-69)	21110	11380	Mercury	650 (4-Cyl.)	21110	11380
MerCruiser	80 (Sterndrive) (1966-69)	21110	11380	Mercury	75 (4-Cyl.)	21110	11380
Mercury	1000SS	21110	11380	Mercury	800 (4-Cyl.), 80 (4-Cyl.)	21110	11380
Mercury	105 Jet	21110	11380	Mercury	850 (4-Cyl.)	21110	11380
Mercury	115 (6-Cyl.)	21110	11380	Mercury	90 (6-Cyl.)	21110	11380
Mercury	1150	21110	11380	Mercury	900, 90	21110	11380
Mercury	1150, 115	21110	11380	Mercury	V-135 thru V-200 (Including XRI, EFI)	21110	11380
Mercury	1250	21110	11380	Mercury	XR-4 & XR-6	21110	11380



GLM Products, Inc.

Prop Shafts



Thrust Washer



- 11156** OEM: 44-75365 2, 3 & 4-Cyl. Small Gearcase
Length: 12-1/2", Journal ø: 7/8", Prop Splines: 13
Prop Thrust Washer: 21290

- 11153*** OEM: 44-12238T Late 3-Cyl., L4, V6, XR4, XRS
Length: 15-1/2", Journal ø: 1-3/16", Prop Splines: 15
Prop Thrust Washer: 21350
* Do Not Use on Bass Tournament Boat Engines

- 11152** OEM: 44-93003 Early Inline 6 Gearcase
Length: 15-1/4", Journal ø: 1-3/16", Prop Splines: 15
Prop Thrust Washer: 21301

- 11155** OEM: 44-850308 Late 3-Cyl., 4-Cyl. & 3.0L V6
Length: 15-1/2", Journal ø: 1-3/16", Prop Splines: 15
Prop Thrust Washer: 21350

- 11151** OEM: 44-94148 Late V6 Alpha Gearcase
Length: 15-1/2", Journal ø: 1-3/16", Prop Splines: 15
Prop Thrust Washer: 21301

Prop Shaft - 55, 60-125 HP (3 & 4-Cyl.)



- 11153*** OEM: 44-75365 Prop Shaft (*Not for Bass Boats)
- 11155** OEM: 44-850308 Prop Shaft
- 11410** OEM: 31-30956 Prop Shaft Bearing
- 22760** OEM: 30-12578T Reverse Gear Bearing
- 21653** OEM: 12-12577 Thrust Washer Reverse Gear
- 22750** OEM: 31-12576 Thrust Bearing Reverse Gear
- 11420** OEM: 31-30895 Forward Gear Inside Bearing
- 21820** OEM: 31-30894A1 Forward Gear Outside Bearing
- 23221** OEM: 15-44491A1 Shim Set
- 85530** OEM: 26-70081 Prop Shaft Outer Seal
- 85130** OEM: 26-76868 Prop Shaft Inner Seal
- 11412** OEM: 12596T2 Bearing Carrier w/ Bearing & Seals
- 82390** OEM: 25-97386 O-ring for Bearing Carrier

Prop Shaft - 25, 30, 40, 50 HP (2 & 3-Cyl.)



- 11428** OEM: 31-21700 Prop Shaft Bearing
- 21628** OEM: 30-20839T Reverse Gear Bearing
- 11426** OEM: 31-41326 Forward Gear Inside Bearing
- 21581** OEM: 31-99328A1 Forward Gear Outside Bearing
- 85520** OEM: 26-69189 Prop Shaft Outer Seal
- 85120** OEM: 26-69188 Prop Shaft Inner Seal
- 82310** OEM: 25-815460 O-ring for Bearing Carrier

Prop Shaft - 35-70 HP (2, 3 & 4-Cyl.)



- 11156** OEM: 44-75365 Prop Shaft
- 11428** OEM: 31-21700 Prop Shaft Bearing
- 21628** OEM: 30-20839T Reverse Gear Bearing
- 11427** OEM: 31-21739 Forward Gear Inside Bearing
- 21630** OEM: 31-38356A1 Forward Gear Outside Bearing
- 23226** OEM: 15-38374A1 Shim Set
- 85520** OEM: 26-69189 Prop Shaft Outer Seal
- 85120** OEM: 26-69188 Prop Shaft Inner Seal
- 83345** OEM: 25-31986 O-ring for Bearing Carrier

Prop Shaft - 50, 55, 60 HP (3-Cyl.)



- 11428** OEM: 31-21700 Prop Shaft Bearing
- 21628** OEM: 30-20839T Reverse Gear Bearing
- 11427** OEM: 31-21739 Forward Gear Inside Bearing
- 21820** OEM: 31-30894A1 Forward Gear Outside Bearing
- 23224** OEM: 15-812770A1 Shim Set
- 85520** OEM: 26-69189 Prop Shaft Outer Seal
- 85120** OEM: 26-69188 Prop Shaft Inner Seal
- 82310** OEM: 25-815460 O-ring for Bearing Carrier

TOC
Manifolds-Merc.
Manifolds-OMC
Manifolds-Volvo
Manifolds-Barr
MerCruiser
Merc / Mar / For
OMC / Volvo
Johnson / Evin
Yamaha
Index / X-Ref.
Warranty

TOC

Manifolds-Merc.

Manifolds-OMC

Manifolds-Volvo

Manifolds-Barr

MerCruiser

Merc / Mar / For

OMC / Volvo

Johnson / Evin

Yamaha

Index / X-Ref.

Warranty

**Prop Shaft - L4, L6 & V6
(65-225 HP)**

Late Alpha Gearcase



4.75in/120.6mm
Torpedo Dia.

11151	OEM: 44-94148	Prop Shaft
11152	OEM: 44-93003	Prop Shaft
11155	OEM: 44-850308	Prop Shaft
11410	OEM: 31-30956	Prop Shaft Bearing
21620	OEM: 30-88957T	Reverse Gear Bearing
11430	OEM: 31-54928-1	Forward Gear Inside Bearing
11420	OEM: 31-30895	Forward Gear Inside Bearing
21820	OEM: 31-30894A1	Forward Gear Outside Bearing
21830	OEM: 31-78172A1	Forward Gear Outside Bearing
23220	OEM: 15-47397A1	Shim Set
85700	OEM: 26-12224	Prop Shaft Outer Seal
85130	OEM: 26-76868	Prop Shaft Inner Seal
83445	OEM: 25-896524	O-ring for Bearing Carrier

**Prop Shaft - V6 3.0L
(200 DFI, 225 Carb, 225 & 250 EFI)**

Late Alpha One Gen II
3.0L Gearcase



11155	OEM: 44-850308	Prop Shaft
11410	OEM: 31-30956	Prop Shaft Bearing
21620	OEM: 30-88957T	Reverse Gear Bearing
23140	OEM: 68100-1	Thrust Ring
11420	OEM: 31-30895	Forward Gear Inside Bearing
21590	OEM: 31-35928A1	Forward Gear Outside Bearing (1.65:1)
21593	OEM: 31-828439A2	Forward Gear Outside Bearing (1.62:1)
21820	OEM: 31-30894A1	Forward Gear Outside Bearing (1.75:1)
23220	OEM: 15-47397A1	Shim Set (for 21590 Bearing)
23221	OEM: 15-44491A1	Shim Set (for 21593, 21820 Bearings)
85700	OEM: 26-12224	Prop Shaft Outer Seal
85130	OEM: 26-76868	Prop Shaft Inner Seal
11405	OEM: 818763A11	Bearing Carrier w/ Bearing & Seals
83445	OEM: 25-896524	O-ring for Bearing Carrier

**Prop Hardware
6-15 HP (1 & 2-Cyl.)**



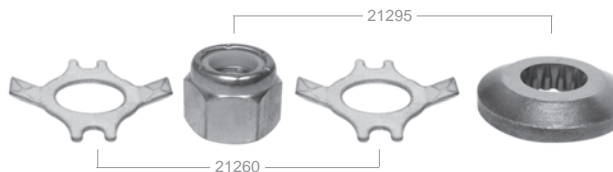
2215	OEM: N/A	Prop Hardware Kit (21243+22192+22210)
21285	OEM: N/A	Prop Hardware Kit (21243+22192+21281)
22216	OEM: N/A	Prop Hardware Kit (21243+22192+22211)
21286	OEM: 11-13914A2	Prop Hardware Kit (21243+22192+21282)
21243	OEM: 11-40140	Prop Nut
22192	OEM: 23-42091-1	Spacer
22210	OEM: 42037	Thrust Washer
21281	OEM: 42037-1	Thrust Washer
22211	OEM: 821932	Thrust Washer
21282	OEM: 821932-1	Thrust Washer

**Prop Hardware
18-25 HP (2-Cyl.)**



21306	OEM: 11-40119A1	Prop Hardware Kit (21232+21303)
21307	OEM: N/A	Prop Hardware Kit (21242+21220+21303)
21232	OEM: 11-40119-12	Prop Nut
21242	OEM: 11-88228	Prop Nut
21220	OEM: 14-76281	Tab Washer
21303	OEM: 858598	Thrust Washer

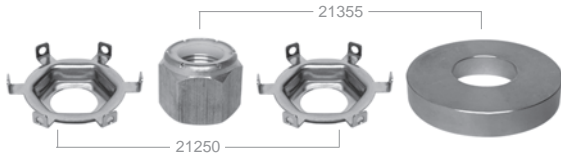
**Prop Hardware
30-75 HP (2, 3 & L4-Cyl.)**



21295	OEM: 11-31990A2	Prop Hardware Kit (21240+21220+21290)
21260	OEM: 11-69578Q1	Prop Nut & Tab Washer Kit
21240	OEM: 11-69578A1	Prop Nut
21220	OEM: 14-76281	Tab Washer
21290	OEM: 73345A1	Thrust Washer

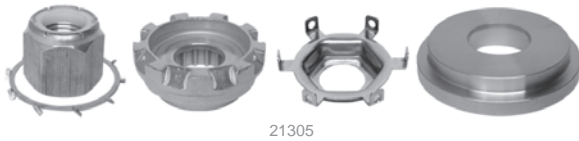
GLM Products, Inc.

Prop Hardware 60-120 HP (Inline 4-Cyl.)



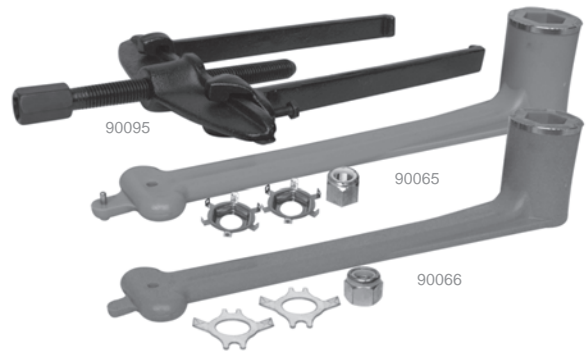
- 21355** OEM: 11-827614A4 Prop Hardware Kit (21230+21200+21350)
- 21250** OEM: 11-52707Q1 Prop Nut & Tab Washer Kit
- 21200** OEM: 14-816629Q Tab Washer
- 21350** OEM: 13191A1 Thrust Washer

Prop Hardware / Prop Service Kit 70-275 HP (L4 & L6)



- 21305** OEM: 835257Q5 Prop Service Kit
- 21250** OEM: 11-52707Q1 Prop Nut & Tab Washer Kit
- 21200** OEM: 14-816629Q Tab Washer
- 21360** OEM: 12-31211A3 Tab Washer Receiver
- 21760** OEM: 13-42351-1 Lockwasher
- 21301** OEM: 12-835467-1 Thrust Washer (Brass)
- 21300** OEM: 13171 Thrust Washer (Stainless Steel)

Prop Tools



Prop & Bearing Puller

- 90095** OEM: N/A For Mercruiser All Style Bearing Carrier & Most Prop. (Capacity: 5 ton min.)

Prop Wrench Kits

- 90065** OEM: 91-821887A1 Prop Wrench Kit: 1-1/16", Color: Blue V4 & V6. With Built In Tab Bender
- 90066** OEM: 91-856639A1 Prop Wrench Kit: 15/16", Color: Red 30-65 HP, 70 HP 3-Cyl. (1989 & Before), 15-25 HP 4-Stroke

Prop Wrenches

- 90061** OEM: 91-859046M4 Prop Wrench: 1-1/16", Color: Blue With Built In Tab Bender
- 90062** OEM: 91-859046M3 Prop Wrench: 5/16", Color: Red
- 90063** OEM: 91-859046M2 Prop Wrench: 13/16", Color: Yellow
- 90064** OEM: 91-859046M1 Prop Wrench: 9/16", Color: Purple

PROP KITS & HARDWARE APPLICATION

Model	Year	Receiver	Thrust Washer	Spacer	Lock Washer	Tab Washer	Nut	Prop Nut Kit	Prop Hardware Kit
6-15 HP Half Length Spline	1984 & Up	-	21281	22192	-	-	21243	-	21285
6-15 HP Full Length Spline	1984 & Up	-	22211	22192	-	-	21243	-	22216
6-15 HP All Models	1994 & Up	-	21282	22192	-	-	21243	-	21286
10 HP, XR10, MAG 10, Sea Pro 10	1990-93	-	22210	22192	-	-	21243	-	22215
18-25 HP Sea Pro, Marathon	1980 & Up	-	21303	-	-	21220	21242	-	21307
18-25 HP The Others	1980 & Up	-	21303	-	-	-	21232	-	21306
25, 30, 40, 45, 50, 60 HP (4-Stroke)	1998 & Up	-	21290	-	-	21220	21240	-	21295
30, 40 HP (2-Cyl.)	1994 & Up	-	21290	-	-	21220	21420	21260	21295
40 HP (3-Cyl.)	1997 & Up	-	21290	-	-	21220	21240	21260	21295
40 HP (4-Cyl.)	1989 & Up	-	21290	-	-	21220	21240	21260	21295
50-60 HP (3-Cyl.)	1991 & Up	-	21290	-	-	21220	21240	21260	21295
40, 50 HP (Force)	1995-99	-	21290	-	-	21220	21240	21260	21295
70 HP (Force)	1991-95	-	21290	-	-	21220	21240	21260	21295
75 HP (Force)	1986-98	-	21290	-	-	21220	21240	21260	21295
60 HP Sea Pro, Marathon, Bigfoot	1987 & Up	-	21350	-	-	21201	21230	-	21355
75-125 HP	1987 & Up	-	21350	-	-	21201	21230	-	21355
90, 120 HP (Force)	1995 & Up	-	21350	-	-	21201	21230	-	21355
135-275 HP (V6)	All	21360	21301	-	21760	21201	21230	-	21305

TOC

Manifolds-Merc.

Manifolds-OMC

Manifolds-Volvo

Manifolds-Bar

MerCruiser

Merc / Mar / For

OMC / Volvo

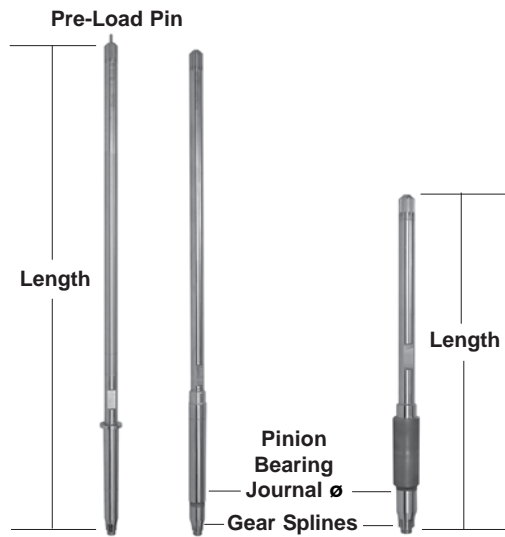
Johnson / Evin

Yamaha

Index / X-Ref.

Warranty

Upper Drive Shafts (20" Transom)



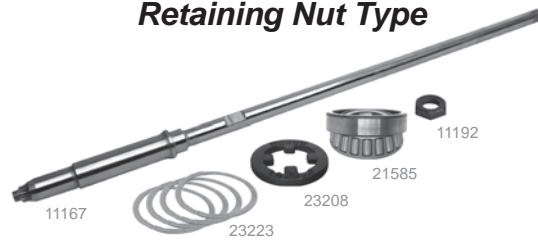
11165	OEM: 45-98180	35-70 HP Small Gearcase w/ Pre-Load Pin Length: 30", Journal ø: 7/8", Gear Splines: 13
11167	OEM: 45-812731	50, 55, 60 HP (3-Cyl.) Late Small Gearcase Length: 31-1/8", Journal ø: 7/8", Gear Splines: 14
11166	OEM: 45-76088A2	50, 65, 75 HP (3-Cyl.) Early Small Gearcase w/ Pre-Load Pin Length: 30", Journal ø: 7/8", Gear Splines: 13
11160	OEM: 45-43031A1	55, 60-125 HP (3 & 4-Cyl.) Late Large Gearcase Length: 31-7/8", Journal ø: 1", Gear Splines: 17
11164	OEM: 45-826736A1	50, 60-125 HP (3 & 4-Cyl.) Late Large Gearcase Length: 31-5/16", Journal ø: 1", Gear Splines: 17
11162	OEM: 45-42646	Early Inline 6 Gearcase Length: 30-3/4", Journal ø: 1", Gear Splines: 17
11161	OEM: 45-44000-1	V6 Late Alpha Gearcase Length: 32-3/16", Journal ø: 1-1/8", Gear Splines: 13
11163	OEM: 98682A1	V6 Gearcase with Pre-Load Pin Length: 32-1/4", Journal ø: 1", Gear Splines: 11
11140	OEM: 45-816472,	V6 (3.0L) Late Gearcase Length: 18-1/4", Journal ø: 1-1/8", Gear Splines: 13

Drive Shaft Pre-Load Pin Type



11165	OEM: 45-98180	Drive Shaft (Long)
11166	OEM: 45-76088A2	Drive Shaft (Long)
21585	OEM: 31-77420A1	Bearing
23225	OEM: 15-92881A1	Shim Set
11429	OEM: 31-62091	Pinion Bearing
11192	OEM: 11-55910	Pinion Nut

Drive Shaft Retaining Nut Type



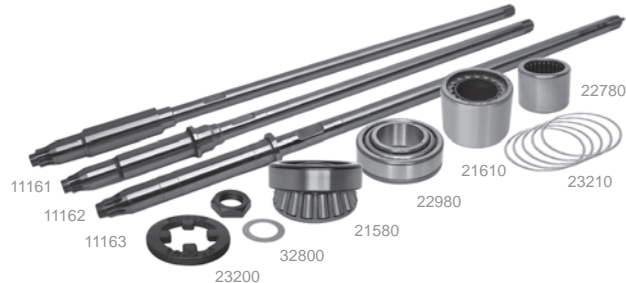
11167	OEM: 45-812731	Drive Shaft (Long)
23208	OEM: 11-812820-1	Retaining Nut
21585	OEM: 31-77420A1	Bearing
23223	OEM: 15-812769A1	Shim Set
11192	OEM: 11-55910	Pinion Nut

Drive Shaft Non-Retaining Nut Type



11160	OEM: 45-43031A1	Drive Shaft (Long)
11164	OEM: 45-826736A1	Drive Shaft (Long)
22960	OEM: 31-42677A1	Bearing
23222	OEM: 15-44492A1	Shim Set
11190	OEM: 11-35921	Pinion Nut

Drive Shaft - Alpha Gearcase L4, L6 & V6 (65-225 HP)



11161	OEM: 45-44000-1	Drive Shaft
11162	OEM: 45-42646	Drive Shaft
11163	OEM: 45-98682A1	Drive Shaft w/ Pre-Load Pin
23200	OEM: 824519-1	Retaining Nut
21580	OEM: 31-36387A1	Bearing for 11161
22980	OEM: 31-69220T	Bearing for 11162
21570	OEM: 31-53079A1	Bearing for 11163
23210	OEM: 15-42637A1	Shim Set
21610	OEM: 31-42647A1	Pinion Bearing for 11161
22780	OEM: 31-32898T	Pinion Bearing for 11162 & 11163
32800	OEM: 312-92721	Washer
11190	OEM: 11-35921	Pinion Nut

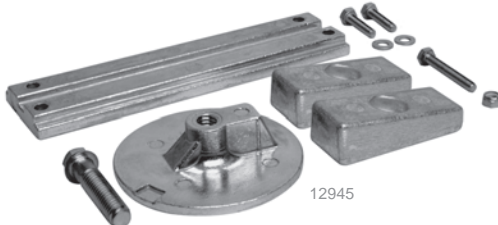
GLM Products, Inc.

Drive Shaft - Late Alpha Gearcase V6 3.0L



11140	OEM: 45-816472	Drive Shaft
23200	OEM: 824519-1	Retaining Nut
21580	OEM: 31-36387A1	Bearing
23210	OEM: 15-42637A1	Shim Set
21610	OEM: 31-42647A1	Pinion Bearing
32800	OEM: 312-92721	Washer
11190	OEM: 11-35921	Pinion Nut

Aluminum Anode Kit & Components 4-Cylinder Verado



12945	OEM: N/A	Aluminum Anode Kit
Anode Kit Components		
12690	OEM: 818298Q1	Aluminum Anode
12675	OEM: 826134Q	Aluminum Anode (2)
12710	OEM: 76214Q5	Aluminum Anode
22342	OEM: 10-40003-30	Screw, St. Steel (2)
21490	OEM: 12-29245	Washer, St. Steel (2)
21741	OEM: 10-806327	Screw
22341	OEM: 10-40003-33	Screw
21169	OEM: 11-40138-6	Locknut

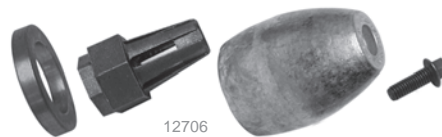
Aluminum Anode Kits & Components (F30, F40, F60) & (75, 80, 90, 100, 115 EFI)



26800	OEM: N/A	Aluminum Anode Kit (F30, F40, F60)
26810	OEM: N/A	Aluminum Anode Kit (75-115 EFI)
Anode Kit Components		
12690*	OEM: 818298Q1	Aluminum Anode
12675*	OEM: 826134Q	Aluminum Anode (2)
12947	OEM: 17264T-2	Trim Tab Anode (F30, F40, F60)
12670	OEM: 31640Q4	Trim Tab Anode (75-115 EFI)

* Included in Both Kits 26800 & 26810

Prop Nut Aluminum Anode Kits



12706	OEM: 809660A1	Shaft Size: 7/8	Thread Size: 5/8 NC 11
12717	OEM: 809662A1	Shaft Size: 1	Thread Size: 3/4 NC 10
12718	OEM: 809664A1	Shaft Size: 1-1/8	Thread Size: 3/4 NF 16

Replacement Prop Nut Anodes Only

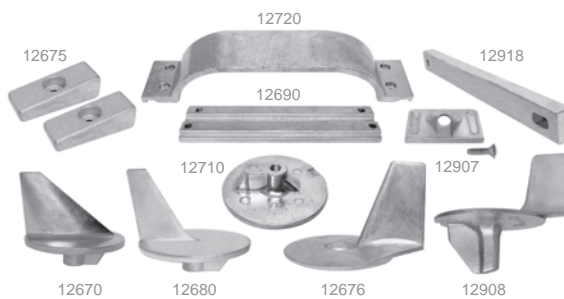
12705	OEM: 809660	For Kit 12706	ø 1-5/8" x 2" L
12707	OEM: 809662T	For Kit 12717/18	ø 2" x 2-5/8" L

Aluminum Anode Kit & Components 6-Cylinder Verado



12944	OEM: 8M0058677	Aluminum Anode Kit
Anode Kit Components		
26675	OEM: 880653	Aluminum Anode
26676	OEM: 893404	Aluminum Anode (4)
12675	OEM: 826134Q	Aluminum Anode (2)
12710	OEM: 76214Q5	Aluminum Anode
12834	OEM: 10-40003-27	Screw, St. Steel (6)
21741	OEM: 10-806327	Screw
22341	OEM: 10-40003-33	Screw
21169	OEM: 11-40138-6	Locknut

Aluminum Anodes



12675	OEM: 826134Q	Side Mounted Anodes
12690	OEM: 818298Q1	Anodic PT Plate
12720	OEM: 89949A1	Anodic PT Plate
12918	OEM: 825271-1	Anodic PT Plate
12907	OEM: 42121A2	Anodic Trim Plate
12710	OEM: 76214Q5	Anodic Trim Tab
12670	OEM: 31640Q4	Anodic Trim Tab
12680	OEM: 822777Q1	Anodic Trim Tab
12676	OEM: 822157T2	Anodic Trim Tab
12908	OEM: 98432T6	Anodic Trim Tab

TOC
Manifolds-Merc.
Manifolds-OMC
Manifolds-Volvo
Manifolds-Barr
MerCruiser
Merc / Mar / For
OMC / Volvo
Johnson / Evin
Yamaha
Index / X-Ref.
Warranty

GLM Products, Inc.

ANODES APPLICATION

Model	Year	Serial No. Range	Anodic Trim Tab / Plate	Mat.	Anodic P/T Plate	Mat.	Side Mounted Anodes	Mat.	Anodic Prop Nut Kit	Prop Nut Anode Only
6	1986-03	0A197112-0T800749	12907	Alum.	N/A	-	N/A	-	N/A	N/A
8	1986-06	0A197112 and Up	12907	Alum.	N/A	-	N/A	-	N/A	N/A
8 Bodensee (4-Stroke)	1995-98	0H000058-0H017099	12907	Alum.	N/A	-	N/A	-	N/A	N/A
8 Bodensee (4-Stroke)	1999-00	0G760300 and Up	12907	Alum.	N/A	-	N/A	-	N/A	N/A
9.9	1986-06	0A197112 and Up	12907	Alum.	N/A	-	N/A	-	N/A	N/A
9.9 (4-Stroke)	1995-98	0H000058-0H016909	12907	Alum.	N/A	-	N/A	-	N/A	N/A
9.9 Bigfoot (4-Stroke)	1995-98	0H000058-0H016909	12908	Alum.	N/A	-	N/A	-	N/A	N/A
10 Sea Pro, XR10	1990-06	0D038000 and Up	12907	Alum.	N/A	-	N/A	-	N/A	N/A
15	1989-06	0B292414 and Up	12907	Alum.	N/A	-	N/A	-	N/A	N/A
15 (4-Stroke)	1998-06	0G590000 and Up	12907	Alum.	N/A	-	N/A	-	N/A	N/A
15 Bigfoot (4-Stroke)	1998-06	0G590000 and Up	12908	Alum.	N/A	-	N/A	-	N/A	N/A
15 Sea Pro	1994-06	0G044365 and Up	12907	Alum.	N/A	-	N/A	-	N/A	N/A
15 XD Sea Pro Bigfoot	1997-06	0G044365 and Up	12908	Alum.	N/A	-	N/A	-	N/A	N/A
18	1983	6416713-6443972	12908	Alum.	N/A	-	N/A	-	N/A	N/A
18 XD	1984-85	6443973 and Up	12908	Zinc	N/A	-	N/A	-	N/A	N/A
20 (2-Cyl.)	1988-03	0B238464-0T800749	12908	Zinc	N/A	-	N/A	-	N/A	N/A
20 XD (2-Cyl.)	1986-87	6443973 and Up	12908	Zinc	N/A	-	N/A	-	N/A	N/A
25 (2-Cyl.)	1983	6416713-6443972	12908	Alum.	N/A	-	N/A	-	N/A	N/A
25 (2-Cyl.)	1988-06	0B238464 and Up	12908	Zinc	N/A	-	N/A	-	N/A	N/A
25 (4-Stroke)	1998-06	0G590000 and Up	12676	Alum.	N/A	-	N/A	-	N/A	N/A
25 Lighting (3-Cyl.)	1997-06	0E268781 and Up	12908	Alum.	N/A	-	N/A	-	N/A	N/A
25 Sea Pro	1988-06	0B238464 and Up	12908	Alum.	N/A	-	N/A	-	N/A	N/A
25 XD	1984-87	6443973 and Up	12908	Alum.	N/A	-	N/A	-	N/A	N/A
30 (2-Cyl.)	1994-02	0G053314-0T598999	12676	Alum.	12918	Alum.	N/A	-	N/A	12705
30 (4-Stroke) (3-Cyl.)	1999-06	0G760300 and Up	12676	Alum.	12690	Alum.	N/A	-	N.L.A.	12705
35 (2-Cyl.)	1984-89	6445653 and Up	12670	Alum.	N/A	-	N/A	-	N.L.A.	12705
35, 350	1963-69	1571114-2874703	12670	Alum.	N/A	-	N/A	-	N.L.A.	12705
40 (2-Cyl.)	1994-06	0G053314 and Up	12676	Alum.	12918	Alum.	N/A	-	N.L.A.	12705
40 (3-Cyl.)	1997-06	0G531301 and Up	12676	Alum.	12918	Alum.	N/A	-	N.L.A.	12705
40 (4-Cyl.)	1989-95	0C159200 and Up	12670	Alum.	12690	Alum.	N/A	-	N.L.A.	12705
40 (4-Stroke) (3-Cyl.)	1998-06	0G231123 and Up	12676	Alum.	12690	Alum.	N/A	-	N.L.A.	12705
40, 400 (2-Cyl.)	1970-71	2874704 and Up	12670	Alum.	N/A	-	N/A	-	N.L.A.	12705
40, 402 & 40 (2-Cyl.)	1972-78	3336258 and Up	12670	Alum.	N/A	-	N/A	-	12706	12705
45 (4-Cyl.)	1986	5531630-0B110788	12670	Alum.	N/A	-	N/A	-	12706	12705
45 (4-Cyl.)	1987-89	0B110789 and Up	12670	Alum.	12690	Alum.	N/A	-	12706	12705
45, 450 (4-Cyl.)	1962	1476510-1531568	N/A	-	N/A	-	N/A	-	12706	12705
45 Bigfoot-Bodensee (4-Stroke)	1996-00	0G231123-0T178499	N/A	-	12918	Alum.	12675	Alum.	12718	12707
45 Bodensee (4-Stroke)	1996-00	0G231123-0T178499	12676	Zinc	12918	Alum.	N/A	-	12706	12705
50 (3-Cyl.)	1986	642861-0B122929	12670	Alum.	N/A	-	N/A	-	12706	12705
50 (3-Cyl.)	1987-90	0B122930-0D000749	12670	Alum.	12690	Alum.	N/A	-	12706	12705
50 (3-Cyl.)	1991-97	0D000750-0G589999	-	Zinc	12690	Alum.	N/A	-	12706	12705
50 (3-Cyl.)	1998-06	0G590000 and Up	12676	Zinc	12918	Alum.	N/A	-	12706	12705
50 (4-Stroke)	1996-00	0G231123-0T178499	12676	Zinc	12918	Alum.	N/A	-	12706	12705
50 Bigfoot (3-Cyl.)	1991-97	0D000750-0G589999	N/A	-	12690	Alum.	12675	Alum.	12718	12707
50 Bigfoot (4-Stroke)	1996-00	0G231123-0T178499	N/A	-	12918	Alum.	12675	Alum.	12718	12707
50, 500	1961-62	1477910-1639472	N/A	-	N/A	-	N/A	-	12706	12705
50, 500 & 50 (4-Cyl.)	1963-85	1639473 and Up	12670	Alum.	N/A	-	N/A	-	12706	12705
55 (3-Cyl.)	1996-06	0D000750 and Up	-	Zinc	12690	Alum.	N/A	-	12706	12705
55 Bigfoot (3-Cyl.)	1996-06	0D000750 and Up	N/A	-	12690	Alum.	12675	Alum.	12718	12707
60 (3-Cyl.)	1984-86	6428681-0B122929	12670	Alum.	N/A	-	N/A	-	12706	12705
60 (3-Cyl.)	1987-90	0B122930-0D000749	12670	Alum.	12690	Alum.	N/A	-	12706	12705
60 (3-Cyl.)	1991-06	0D000750 and Up	-	Zinc	12690	Alum.	N/A	-	12706	12705
60 Bigfoot (3-Cyl.)	1996-06	0d000750 and Up	N/A	-	12690	Alum.	12675	Alum.	12718	12707
65, 650 (4-Cyl.)	1963-68	1542745-2452709	12670	Alum.	N/A	-	N/A	-	12717	12707
65, 650 (4-Cyl.)	1969-71	2503991-3293183	12670	Alum.	N/A	-	N/A	-	12718	12707

GLM Products, Inc.

ANODES APPLICATION

Model	Year	Serial No. Range	Anodic Trim Tab / Plate	Mat.	Anodic P/T Plate	Mat.	Side Mounted Anodes	Mat.	Anodic Prop Nut Kit	Prop Nut Anode Only
65, 650 (3-Cyl.)	1972-76	3293184-4571651	12670	Alum.	N/A	-	N/A	-	12706	12705
70, 700 (6-Cyl.)	1960-61	1296411-1566239	N/A	-	N/A	-	N/A	-	12717	12707
70 (3-Cyl.)	1977-83	4571652-0A996141	12670	Alum.	N/A	-	N/A	-	12706	12705
70 (3-Cyl.)	1987-89	0A996142 and Up	12670	Alum.	12690	Alum.	N/A	-	12718	12707
75 (4-Cyl.)	1984-86	6432901 and Up	12670	Alum.	12690	Alum.	N/A	-	12718	12707
75 (3-Cyl.)	1990-92	0A996142-0D283221	12670	Alum.	12690	Alum.	N/A	-	12718	12707
75 (3-Cyl.)	1993-98	0D283222-0G760299	12670	Alum.	12690	Alum.	N/A	-	12718	12707
75 (3-Cyl.)	1993-06	0D283222 and Up	-	-	12690	Alum.	12675	Alum.	12718	12707
75 (4-Stroke)	1999-06	0G960500 and Up	-	-	12690	Alum.	12675	Alum.	12718	12707
80 (3-Cyl.)	1987-89	0A996142 and Up	12670	Alum.	12690	Alum.	N/A	-	12718	12707
80, 800 (6-Cyl.)	1960	1335465-1566239	N/A	-	N/A	-	N/A	-	12717	12707
80, 800 & 80 (4-Cyl.)	1969-83	2559001-6432900	12670	Alum.	N/A	-	N/A	-	12718	12707
85, 850 (6-Cyl.)	1962-64	1460999-1766823	N/A	-	N/A	-	N/A	-	12717	12707
85, 850 (4-Cyl.)	1973-77	3493913-4831998	12670	Alum.	N/A	-	N/A	-	12718	12707
90, 900 (6-Cyl.)	1965	1766824-1869775	12670	Alum.	N/A	-	N/A	-	12717	12707
90, 900 & 90 (6-Cyl.)	1978-83	4845301-6436122	12670	Alum.	N/A	-	N/A	-	12718	12707
90 (6-Cyl.)	1984-87	6436123 and Up	12670	Alum.	12690	Alum.	N/A	-	12718	12707
90 (3-Cyl.)	1987-92	0A996142-0D283221	12670	Alum.	12670	Alum.	N/A	-	12718	12707
90 (3-Cyl.)	1993-98	0D283222-0G760299	12670	Alum.	12690	Alum.	N/A	-	12718	12707
90 (3-Cyl.)	1993-06	0D283222 and Up	-	-	12690	Alum.	12675	Alum.	12718	12707
90 (4-Stroke)	1999-06	0G960500 and Up	-	-	12690	Alum.	12675	Alum.	12718	12707
95, 950 (6-Cyl.)	1966-67	1869776-2318585	12670	Alum.	12690	Alum.	N/A	-	12717	12707
100 (4-Cyl.)	1988-92	0B209468-0D283221	12670	Alum.	12690	Alum.	N/A	-	12718	12707
100 (4-Cyl.)	1993-95	0D283222-0G760299	12670	Alum.	12690	Alum.	N/A	-	12718	12707
100 (4-Cyl.)	1993-06	0D283222 and Up	-	-	12690	Alum.	12675	Alum.	12718	12707
100, 1000	1962-65	1464949-1768403	N/A	-	N/A	-	N/A	-	12717	12707
100, 1000	1968	1768404-2318585	12670	Alum.	N/A	-	N/A	-	12717	12707
100, 1000SS	1968	2318586-2413843	12670	Alum.	N/A	-	N/A	-	12717	12707
100, 1000SS	1969	2484633-2836018	12670	Alum.	N/A	-	N/A	-	12718	12707
110, 1100	1966-67	1870204-2314955	12670	Alum.	N/A	-	N/A	-	12717	12707
115 (4-Cyl.)	1989-92	0C100000-0D283221	12670	Alum.	12690	Alum.	N/A	-	12718	12707
115 (4-Cyl.)	1993-95	0D283222-0G760299	12670	Alum.	12690	Alum.	N/A	-	12718	12707
115 (4-Cyl.)	1993-06	0D283222 and Up	-	-	12070	Alum.	12675	Alum.	12718	12707
115 (6-Cyl.)	1984-88	6436123 and Up	12670	Alum.	12690	Alum.	N/A	-	12718	12707
115, V-115 DFI	2000-06	0G960500 and Up	-	-	12690	Alum.	12675	Alum.	12718	12707
115, 1150 & 115 (6-Cyl.)	1970-83	2836019-6435122	12670	Alum.	N/A	-	N/A	-	12718	12707
125 (4-Cyl.)	1993-95	0D283222-0G760299	12670	Alum.	12690	Alum.	N/A	-	12718	12707
125 (4-Cyl.)	1993-06	0D283222 and Up	-	-	12690	Alum.	12675	Alum.	12718	12707
125, 1250	1968	2314956-2483741	12670	Alum.	N/A	-	N/A	-	12717	12707
125, 1250	1969	2536210-2839368	12670	Alum.	N/A	-	N/A	-	12718	12707
135, 1350	1970-71	2839369-3293233	12670	Alum.	N/A	-	N/A	-	12718	12707
135, V-135	1986-91	0A904646-0D081999	12670	Alum.	12690	Alum.	N/A	-	12718	12707
135, V-135	1992-95	0D082000-0G303045	12670	Alum.	12690	Alum.	N/A	-	12718	12707
135, V-135	1992-06	0D082000 and Up	-	-	12690	Alum.	12675	Alum.	12718	12707
135, V-135 DFI	1998-06	0G590000 and Up	-	-	12690	Alum.	12675	Alum.	12718	12707
135, V-135 DFI Tracker	2000-06	0G960500 and Up	12710	Alum.	12690	Alum.	12675	Alum.	12718	12707
135, V-135 Tracker	1996-06	0G303046 and Up	12710	Alum.	12690	Alum.	12675	Alum.	12718	12707
140, 1400 & 140	1972-81	3293234 and Up	12670	Alum.	N/A	-	N/A	-	12718	12707
150, 1500	1973-77	3502806-4865677	12670	Alum.	N/A	-	N/A	-	12718	12707
150, 1500	1973-77	3502806-4865677	12671	Alum.	N/A	-	N/A	-	12718	12707
150, V-150	1985-91	6616991-0D081999	12670	Alum.	12690	Alum.	N/A	-	12718	12707
150, V-150	1992-95	0D082000-0G303045	12670	Alum.	12690	Alum.	N/A	-	12718	12707
150, V-150	1992-06	0D082000 and Up	-	-	12690	Alum.	12675	Alum.	12718	12707
150, V-150 DFI	1998-06	0G590000 and Up	-	-	12690	Alum.	12675	Alum.	12718	12707
150, V-150 Tracker	2000-06	0G960500 and Up	12710	Alum.	12690	Alum.	12675	Alum.	12718	12707

GLM Products, Inc.

ANODES APPLICATION

Model	Year	Serial No. Range	Anodic Trim Tab / Plate	Mat.	Anodic P/T Plate	Mat.	Side Mounted Anodes	Mat.	Anodic Prop Nut Kit	Prop Nut Anode Only
150, V-150 Tracker	1996-06	0G303046 and Up	12710	Alum.	12690	Alum.	12675	Alum.	12718	12707
150, V-150 EFI	1996-06	0G303046-0G760299	-	-	12690	Alum.	12675	Alum.	12718	12707
150, V-150 EFI	1999-06	0G760300 and Up	12710	Alum.	12690	Alum.	12675	Alum.	12718	12707
150, V-150 EFI (Bluewater)	1999-06	0G760300 and Up	-	-	12690	Alum.	12675	Alum.	12718	12707
150, V-150 EFI (Tracker)	1996-06	0G303046 and Up	12710	Alum.	12690	Alum.	12675	Alum.	12718	12707
150, V-150XRI (EFI)	1992-95	0D082000-0G303045	12670	Alum.	12690	Alum.	N/A	-	12718	12707
150, V-150XRI (EFI)	1992-95	0D082000-0G303045	-	-	12690	Alum.	12675	Alum.	12718	12707
150, V-1500 & V-150	1978-84	4868998-6616990	12670	Alum.	12720	Alum.	N/A	-	12718	12707
150 XR-4	1988-91	0B242885 and Up	-	Zinc	12690	Alum.	N/A	-	12718	12707
150 XR-4	1988-91	0B242885 and Up	12670	Alum.	12690	Alum.	N/A	-	12718	12707
150 XR-6	1992-95	0D082000-0G303045	12670	Alum.	12690	Alum.	N/A	-	12718	12707
150 XR-6	1992-98	0D082000-0G760299	-	-	12690	Alum.	12675	Alum.	12718	12707
150 XR-6	1999-06	0G760300 and Up	12710	Alum.	12690	Alum.	12675	Alum.	12718	12707
175, V-175	1980-84	5488752-6618750	12670	Alum.	12720	Alum.	N/A	-	12718	12707
175, V-175	1985-91	6618751-0D081999	12670	Alum.	12690	Alum.	N/A	-	12718	12707
175, V-175	1992-95	0D082000-0G303045	12670	Alum.	12690	Alum.	N/A	-	12718	12707
175, V-175	1992-98	0D082000-0G760299	-	-	12690	Alum.	12675	Alum.	12718	12707
175, V-175	1999-06	0G760300 and Up	12710	Alum.	12690	Alum.	12675	Alum.	12718	12707
175, V-175 EFI	1996-98	0G303046-0G760299	-	-	12690	Alum.	12675	Alum.	12718	12707
175, V-175 EFI	1999-06	0G760300 and Up	12710	Alum.	12690	Alum.	12675	Alum.	12718	12707
175, V-175 EFI (Bluewater)	1999-06	0G760300 and Up	-	-	12690	Alum.	12675	Alum.	12718	12707
175, V-175 EFI (Tracker)	1996-06	0G303046 and Up	12710	Alum.	12690	Alum.	12675	Alum.	12718	12707
175, V-175XRI (EFI)	1991	0D000750-0D081999	12670	Alum.	12690	Alum.	N/A	-	12718	12707
175, V-175XRI (EFI)	1992-95	0D082000-0G303045	12670	Alum.	12690	Alum.	N/A	-	12718	12707
175, V-175XRI (EFI)	1992-95	0D082000-0G303045	-	-	12690	Alum.	12675	Alum.	12718	12707
175, B-1750 & V-175	1976-79	4301235-5488751	12670	Alum.	N/A	-	N/A	-	12718	12707
200, V-200	1980-84	5464486-6625220	12670	Alum.	12720	Alum.	N/A	-	12718	12707
200, V-200	1985-91	6625221-0D081999	12670	Alum.	12690	Alum.	N/A	-	12718	12707
200, V-200	1992-95	0D082000-0G303045	12670	Alum.	12690	Alum.	N/A	-	12718	12707
200, V-200	1992-98	0D082000-0G760299	-	-	12690	Alum.	12675	Alum.	12718	12707
200, V-200	1999-06	0G760300 and Up	12710	Alum.	12690	Alum.	12675	Alum.	12718	12707
200, V-200 EFI	1989-90	0C100861-0C291519	12670	Alum.	12690	Alum.	N/A	-	12718	12707
200, V-200 EFI	1996-98	0G303046-0G760299	-	-	12690	Alum.	12675	Alum.	12718	12707
200, V-200 EFI	1999-06	0G760300 and Up	12710	Alum.	12690	Alum.	12675	Alum.	12718	12707
200, V-200 EFI (Bluewater)	1999-06	0G760300 and Up	-	-	12690	Alum.	12675	Alum.	12718	12707
200, V-200 EFI (Tracker)	1996-06	0G303046 and Up	12710	Alum.	12690	Alum.	12675	Alum.	12718	12707
200, V-200 DFI	1997-06	0G386496 and Up	12710	Alum.	12690	Alum.	12675	Alum.	12718	12707
200, V-200XRI (EFI)	1991	0C291520-0D081999	12670	Alum.	12690	Alum.	N/A	-	12718	12707
200, V-200XRI (EFI)	1992-95	0D082000-0G303045	12670	Alum.	12690	Alum.	N/A	-	12718	12707
200, V-200XRI (EFI)	1992-95	0D082000-0G303025	-	-	12690	Alum.	12675	Alum.	12718	12707
200, V-2000 & V-200	1978-79	4839034-564485	12670	Alum.	N/A	-	N/A	-	12718	12707
220, V-220	1987-88	0B117316 and Up	12670	Alum.	12690	Alum.	N/A	-	12718	12707
225, V-225	1980-81	5628028 and Up	12670	Alum.	12720	Alum.	N/A	-	12718	12707
225, V-225	1994-97	0D280813-0G437999	12680	Alum.	12690	Alum.	N/A	-	12718	12707
225, V-225	1994-97	0D280813-0G437999	-	-	12690	Alum.	12675	Alum.	12718	12707
225, V-225	1998-06	0G438000-0G437999	12710	Alum.	12690	Alum.	12675	Alum.	12718	12707
225, V-225 EFI	1995-06	0G129222 and Up	12710	Alum.	12690	Alum.	12675	Alum.	12718	12707
225, V-225 DFI	1998-06	0G590000 and Up	12710	Alum.	12690	Alum.	12675	Alum.	12718	12707
225, V-225 Sea Pro	1994-97	0D280813-0G437999	12680	Alum.	12690	Alum.	N/A	-	12718	12707
225, V-225 Sea Pro	1994-97	0D280813-0G437999	-	-	12690	Alum.	12675	Alum.	12718	12707
225, V-225 Sea Pro	1998-06	0G438000-0G437999	12710	Alum.	12690	Alum.	12675	Alum.	12718	12707
250, V-250	1989-94	0C101891 and Up	-	-	12720	Zinc	N/A	-	12718	12707
250, V-250 EFI	1995-06	0G1298222 and Up	12710	Alum.	12690	Alum.	12675	Alum.	12718	12707
275, V-275	1989-94	0C101891 and Up	-	-	12720	Zinc	N/A	-	12718	12707
300, V-3.4L	1984-86	5611648 and Up	N.L.A.	Zinc	12720	Zinc	N/A	-	12718	12707

GLM Products, Inc.

Thermostat Kits 110°, 120°, 130° & 143°



110° Thermostat Kits

13141 OEM: 850055A2 110° T.stat, Carrier, Seals & Gaskets

120° Thermostat Kits

13121 OEM: 14586A3 120° T.stat & Gaskets

13122 OEM: 14586A4 120° T.stat, Gaskets & Poppet Kit

13123 OEM: 14586A6 120° T.stat, Gaskets & Poppet Kit

13124 OEM: 803061T1 120° T.stat, Gasket, Washer & Grom

130° Thermostat Kits

13201 OEM: 14586A7 130° T.stat, Gaskets & Poppet Kit

13620 OEM: N/A 130° T.stat & Gasket

143° Thermostat Kits

13340 OEM: 75692Q2 143° T.stats (2) & Gaskets (2)

13360 OEM: 75692A6 143° T.stat, Gaskets & Poppet Kit

13490 OEM: 75692A7 143° T.stat, Gaskets & Poppet Kit

Thermostats 110°, 120°, 130° & 143°



13140 OEM: 850055 110° Thermostat

13120 OEM: 14586 120° Thermostat

13200 OEM: F97068-2 130° Thermostat

13610 OEM: 8M0057307 130° Thermostat - 2.5/3.0L DFI

13010 OEM: 75692 143° Thermostat

Poppet Valve Kits



13800 OEM: 803060T1 3 & 4-Cyl. (w/o Gaskets)

13810 OEM: 803062T1 V6 (w/ Gaskets)

Thermostat Housing Components



13142 OEM: 827251A1 Thermostat Cover 40, 50, 55, 60 HP 3-Cyl. (SN# G662183 & Up)

37850 OEM: 27-827284 Gasket for GLM 13142 Cover

35090 OEM: 27-812867-2 Gasket for OEM 19074-1 Cover (II)

35011 OEM: 27-812867-1 Gasket for OEM 19074 Cover (I)

31990 OEM: 27-78690 Gasket - V6

32820 OEM: 27-43006-8 Gasket - 65 Jet, 75, 90 HP 3-Cyl. 100, 115, 125 HP L4-Cyl.

35650 OEM: 27-19205-1 Gasket - 6, 8, 9.9, 10, 15 HP

32760 OEM: 27-14318-3 Gasket - 6, 8, 9.9, 10, 15 HP

30760 OEM: 27-69524-2 Gasket

30770 OEM: 27-69525-2 Gasket

30720 OEM: 27-66847 Gasket

30800 OEM: 27-70335-1 Gasket

37870 OEM: 27-850318-1 Gasket - 2.5/3.0L DFI

21751 OEM: 10-69570 Screw - For All Poppet

21465 OEM: 54-816311T Cable Tie - 8" Length

13825 OEM: 24-90392 Spring - 30-60 HP 2 & 3-Cyl., V6 3.4L

13823 OEM: 24-47968 Spring - 30, 35, 40 (400) (402) 2-Cyl.

13822 OEM: 24-66852 Spring - 35, 50, 60 HP

13821 OEM: 24-64878 Spring - Force 40, 50 HP & Mercury 135-200 HP V6

13824 OEM: 24-42996 Spring - 70, 75, 80, 90 HP 3-Cyl. V6 (2.5L)

10562 OEM: 22-99664-1 Elbow Fitting - Plastic (for 3/8" I.D. Hose)

13801 OEM: 86596T Poppet - 40-90 HP 2 & 3-Cyl. 135-225 HP V6

13802 OEM: 812882-1 Poppet - 30, 40 HP 2-Cyl. & 50, 55, 60 HP 3-Cyl.

13811 OEM: 14480 Poppet - V6 (2.5L)

13808 OEM: 64877-1 Diaphragm - 3, L4-Cyl. & V6 (3.0L)

13809 OEM: 812887-1 Diaphragm - 30, 40 HP 2-Cyl. & 50-90 HP 3-Cyl.

13812 OEM: 14479-1 Diaphragm - V6 (2.5L)

13815 OEM: 16496 Deflector - V6 (2.5L)

13803 OEM: 12-94182 Cup - 30-125 HP 2, 3 & 4-Cyl.

13805 OEM: 65848 Carrier - 30-125 HP 2, 3 & 4-Cyl.

13806 OEM: 25-64872 Grommet - 30-125 HP 2, 3 & 4-Cyl.

13143 OEM: 827365 Carrier - 30 Jet, 40, 45, 50, 55 & 60 HP 3-Cyl.

30610 OEM: 27-62386 Gasket (for Thermostat 1" Dia.)

13144 OEM: 26-854639 Seal - 30-60 HP 3-Cyl. V6 (3.0L)

13816 OEM: 12-85303 Washer - L6-Cyl. & V6 (2.5L)

13817 OEM: 12-76451 Washer - Plastic (for V6 2.5/3.0L)

GLM Products, Inc.

THERMOSTAT KIT & POPPET VALVE KIT APPLICATION

Model	Year	Country	Serial No. Range	Poppet Valve Kit	Thermostat Kit
6	1986-98	USA	0A197112 and Up	N/A	13121
6	1986-93	BEL	9461526 and Up	N/A	13121
8	1986-98	USA	0A197112 and Up	N/A	13121
8	1986-83	BEL	9461526 and Up	N/A	13121
9.9	1986-98	USA	0A197112 and Up	N/A	13121
9.9	1986-93	BEL	9461526 and Up	N/A	13121
15	1988-98	USA	0B292414 and Up	N/A	13121
15	1988-93	BEL	9542620 and Up	N/A	13121
15 Sea Pro	1994-98	USA	0G044365 and Up	N/A	13121
15 Sea Pro	1997-98	BEL	9927000 and Up	N/A	13121
Super 15	1988-98	USA	0B238464 and Up	N/A	13121
Super 15	1988-98	BEL	9507381 and Up	N/A	13121
Super 15	1988-98	CAN	0A730007 and Up	N/A	13121
20	1986-87	USA	0B114231 and Up	N/A	13121
20	1986-87	BEL	9467988 and Up	N/A	13121
20	1986-87	CAN	0A719661 and Up	N/A	13121
25 (2-Cyl.)	1984-87	USA	0B114231 and Up	N/A	13121
25 (2-Cyl.)	1984-87	BEL	9467988 and Up	N/A	13121
25 (2-Cyl.)	1984-87	CAN	0A719661 and Up	N/A	13121
25 Sea Pro	1988-98	USA	0B238464 and Up	N/A	13121
25 Sea Pro	1988-94	BEL	9507381 and Up	N/A	13121
25 Sea Pro	1988-94	CAN	0A730007 and Up	N/A	13121
30 (2-Cyl.)	1994-98	USA	0G044027 and Up	N/A	13201
30 (2-Cyl.)	1994-98	BEL	9855139 and Up	N/A	13201
35	1984-89	USA	6445653 and Up	N/A	13360
35	1984-86	BEL	9384476 and Up	N/A	13360
40 (2-Cyl.)	1994-98	USA	0G044027 and Up	N/A	13201
40 (2-Cyl.)	1980-83	BEL	9855139 and Up	N/A	13201
40 (3-Cyl.)	1997-98	USA	0G531301 and Up	N/A	13141
40 (3-Cyl.)	1997-98	BEL	9973100 and Up	N/A	13141
50 (3-Cyl.)	1988-90	USA	0B110789-0D000749	N/A	13490
50 (3-Cyl.)	1988-90	BEL	9482600-9671686	N/A	13490
50 (3-Cyl.)	1991-95	USA	0D000750-0D181999	N/A	13122
50 (3-Cyl.)	1991-95	BEL	982500-9740999	N/A	13122
50 (3-Cyl.)	1991-95	USA	0D182000-0G589999	N/A	13123
50 (3-Cyl.)	1991-95	BEL	9741000-9973099	N/A	13123
50 (3-Cyl.)	1998	USA	0G590000 and Up	N/A	13141
50 (3-Cyl.)	1998	BEL	9973100 and Up	N/A	13141
55 (3-Cyl.)	1996	USA	0D000750-0D181999	N/A	13122
55 (3-Cyl.)	1996-97	BEL	982500-9740999	N/A	13122
55 (3-Cyl.)	1997	USA	0D182000-0G589999	N/A	13123
55 (3-Cyl.)	1996	BEL	9741000-9973099	N/A	13123
55 (3-Cyl.)	1998	USA	0G590000 and Up	N/A	13141
55 (3-Cyl.)	1998	BEL	9973100 and Up	N/A	13141
60 (3-Cyl.)	1988-90	USA	0B110789-0D000749	N/A	13490
60 (3-Cyl.)	1988-90	BEL	9482600-9671686	N/A	13490
60 (3-Cyl.)	1991-95	USA	0D000750-0D181999	N/A	13122
60 (3-Cyl.)	1991-95	BEL	9682500-9740999	N/A	13122
60 (3-Cyl.)	1996-97	USA	0D182000-0G589999	N/A	13123
60 (3-Cyl.)	1991-95	BEL	9741000-9973099	N/A	13123
60 (3-Cyl.)	1998	USA	0G590000 and Up	N/A	13141
60 (3-Cyl.)	1998	BEL	9973100 and Up	N/A	13141
70 (3-Cyl.)	1987	USA	0A996142 and Up	13800	13124
70 (3-Cyl.)	1987	BEL	9483121 and Up	13800	13124
75 (3-Cyl.)	1990-98	USA	0C222000 and Up	13800	13124
75 (3-Cyl.)	1990-98	BEL	9589039 and Up	13800	13124
80 (3-Cyl.)	1987	USA	0A996142 and Up	13800	13124
80 (3-Cyl.)	1987	BEL	9483121 and Up	13800	13124
90 (3-Cyl.)	1987	USA	0A996142 and Up	13800	13124
90 (3-Cyl.)	1987	BEL	9483121 and Up	13800	13124
100 (4-Cyl.)	1988-98	USA	0B209468 and Up	13800	13124
100 (4-Cyl.)	1988-98	BEL	9523034 and Up	13800	13124
115 (4-Cyl.)	1989-98	USA	0C100000 and Up	13800	13124
115 (4-Cyl.)	1989-98	BEL	9559771 and Up	13800	13124
125 (4-Cyl.)	1994-98	USA	0D283222 and Up	13800	13124
125 (4-Cyl.)	1994-98	BEL	9793577 and Up	13800	13124
135	1986-88	USA	0A904646 and Up	13810	13340
150	1986-88	USA	0A904646 and Up	13810	13340
XR-4	1991	USA	0C239553-0D081999	13810	13340
Magnum II	1991	USA	0C239553-0D081999	13810	13340
XR-6	1992-98	USA	0D082000 and Up	13810	13340
Magnum III	1992-98	USA	0D082000 and Up	13810	13340
175	1989-90	USA	0C100861 and Up	13810	13340
200	1984-88	USA	6435503 and Up	13810	13340
200 DFI	-	USA	0G590000 and Up	N/A	13620
225 DFI	-	USA	0G590000 and Up	N/A	13620
250 DFI	-	USA	1B426561 and Up	N/A	13620
300 DFI	-	USA	1E001867 and Up	N/A	13620



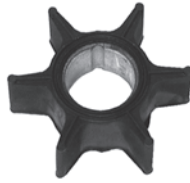
GLM Products, Inc.

Water Pump Impeller Identification

Water Pump Impellers can be divided into two distinct groups.
High volume water pumps use **long vane** impellers, while
high pressure water pumps use **short vane** impellers.



High Volume / Long Vane



High Pressure / Short Vane

See Guide below for Identification, Dimensions & Keys*

*Keys are not included with impellers & must be ordered separately.

High Volume / Long Vane

89451 OEM: 47-42038Q02
 Outside \varnothing : 2.3125"
 Inside \varnothing : .500"
 Key: **N/A**
 OEM: 28-42376A2



89616 OEM: 47-19453T
 Outside \varnothing : 3.125"
 Inside \varnothing : .75"
 Key: **N/A**
 OEM: 28-19699



89640 OEM: 47-85089-10
 Outside \varnothing : 2.87"
 Inside \varnothing : .625"
 Key: **N/A**
 OEM: 28-85119



89630 OEM: 47-43026T2
 Outside \varnothing : 3.50"
 Inside \varnothing : .875"
 Key: **N/A**
 OEM: 28-43037



89890 OEM: 47-84797M
 Outside \varnothing : 2.736" (69.5mm)
 Inside \varnothing : .630" (16mm)
 Key: **89589** - Woodruff
 OEM: 664-44338-00



High Pressure / Short Vane

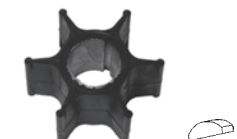
89830 OEM: 47-89983
 Outside \varnothing : 2.031"
 Inside \varnothing : .75"
 Key: **N/A**
 OEM: 28-56662



89840 OEM: 47-89994T4
 Outside \varnothing : 2.375"
 Inside \varnothing : .875"
 Key: **11070**
 OEM: 28-56654



89450 OEM: 47-803630T
 Outside \varnothing : 2.25"
 Inside \varnothing : .8125"
 Key: **89597**
 Stainless Steel Half Moon
 OEM: 28-F523498



High Pressure / Short Vane continued...

89810 OEM: 47-89981
 Outside \varnothing : 1.250"
 Inside \varnothing : .456"
 Key: **N/A** - Pin
 OEM: 28-56655



89870 OEM: 47-11590M
 Outside \varnothing : 1.575"
 Inside \varnothing : .453"
 Key: **N/A** - Half Moon
 OEM: 28-81912M



89600 OEM: 47-22748
 Outside \varnothing : 1.250"
 Inside \varnothing : .456"
 Key: **N/A** - Pin
 OEM: 28-56655



89850 OEM: 47-80395M
 Outside \varnothing : 1.875"
 Inside \varnothing : .438"
 Key: **N/A** - Pin
 OEM: 17-82355M



89800 OEM: 47-89980
 Outside \varnothing : 1.250"
 Inside \varnothing : .438"
 Key: **N/A** - Pin
 OEM: 28-56655



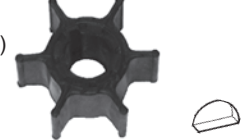
89860 OEM: 47-96305M
 Outside \varnothing : 1.575" (40mm)
 Inside \varnothing : .438" (11mm)
 Key: **N/A** - Pin
 OEM: 17-82355M



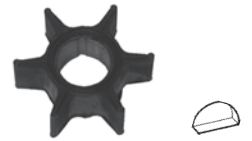
89614 OEM: 47-F436065-2
 Outside \varnothing : 2.250"
 Inside \varnothing : .500"
 Key: **N/A** - Pin
 OEM: 17-F901563



89880 OEM: 47-84027T
 Outside \varnothing : 1.575" (40mm)
 Inside \varnothing : .512" (13mm)
 Key: **89587** - Woodruff
 OEM: 90280-03024



89820 OEM: 47-89982
 Outside \varnothing : 2.000"
 Inside \varnothing : .625"
 Key: **N/A** - Half Moon
 OEM: 28-56661



89910 OEM: 47-97108M
 Outside \varnothing : 2.047" (52mm)
 Inside \varnothing : .709" (18mm)
 Key: **89599** - Woodruff
 OEM: 90280-03M03-00



89615 OEM: 47-F462065
 Outside \varnothing : 2.2813"
 Inside \varnothing : .5625"
 Key: **N/A** - Pin
 OEM: 17-F901563



TOC

Manifolds-Merc.

Manifolds-OMC

Manifolds-Volvo

Manifolds-Barr

MerCruiser

Merc / Mar / For

OMC / Volvo

Johnson / Evin

Yamaha

Index / X-Ref.

Warranty

Complete Water Pump Housing Kits



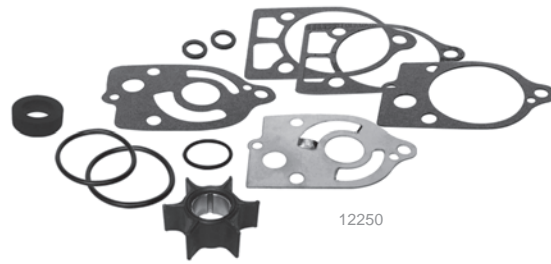
4-Stroke		
12051	OEM: 46-42089A5	8, 9.9, 15 HP 2-Cyl. (1999 & Up)
12124	OEM: 46-812966A12	40, 50, 60 EFI 3-Cyl. (1991 & Up)
12126	OEM: N/A	25, 30, 40, 50 HP (1998 & Up)
12094	OEM: 46-43024A09	40-115 HP 4-Cyl. (2001 & Up)
12121	OEM: 817275A09	135-275 HP Verado (2005 & Up)
2-Stroke		
12122	OEM: 46-70941A3	4, 4.5, 7.5 & 9.8 HP (1975-85)
12051	OEM: 46-42089A5	6, 8, 9.9, 15 HP (1986 & Up)
12095	OEM: 46-812966A11	45 Jet, 50, 55, 60 HP (1991 & Up)
12100	OEM: 46-77177A3	30 Jet, 35, 40, 45, 50, 60, 70 HP (1970-86) w/ Pumb Base 12030
12180	OEM: 46-73640A2	30 Jet, 35, 40, 45, 50, 60, 70 HP (1970-86) w/ Pumb Base 12020
12150	OEM: 46-78400A2	65-225 HP w/ Large Plastic Hsg.
12094	OEM: 46-43024A7	65-225 HP w/ Large Metal Hsg. & Flat Style Base
12414	OEM: 817275Q5	65-225 HP w/ Large Metal Hsg. & Cone Style Base
12011	OEM: FK1069	75-140 HP (Force & Chrysler Only)

Water Pump Housing Kits



12426	OEM: 46-821351A3	25-50 HP (1998 & Up), 4-Stroke
2-Stroke		
12014	OEM: 46-99157T2	15XD, 18XD, 20XD, 25XD & 25 3-Cyl. (1984 & Up)
12010	OEM: 46-60366A1	30 Jet, 35-50, 60 & 70HP (1970-86)
12280	OEM: 46-96148A8	65-225 HP (1963-98) Lrg. Plastic Hsg.
12096	OEM: 817275A6	65-225 HP (1963-98) Lrg. Metal Hsg.

Water Pump Impeller Kits



4-Stroke		
12306	OEM: 47-42038T3	8, 9.9, 15 HP 2-Cyl. (1999 & Up)
12045	OEM: 821354A2	25, 30, 40, 50 HP (1998 & Up)
12043	OEM: 47-43026Q06	40-115 HP 4-Cyl. (2001 & Up)
12013	OEM: 817275A08	135-275 HP Verado (2005 & Up)
2-Stroke		
12270	OEM: 47-89981Q1	4, 4.5, 7.5 & 9.8 HP (1975-85) w/ Impeller 89810 (.456 I.D.)
12271	OEM: 47-89980T1	4, 4.5, 7.5 & 9.8 HP (1975-85) w/ Impeller 89800 (.438 I.D.)
12306	OEM: 47-42038T3	6, 8, 9.9, 15 HP (1986 & Up)
12107	OEM: 47-85089T4	15XD, 18XD, 20XD, 25XD & 25 3-Cyl. (1984 & Up)
12044	OEM: 47-19453Q2	45 Jet, 50, 55, 60 HP (1991 & Up)
12250	OEM: 47-89983T1	30 Jet, 35, 40, 45, 50, 60, 70 HP (1970-86)
12260	OEM: 47-89982T1	100 (20) HP
12290	OEM: 47-89984T5	65-225 HP w/ Large Plastic Hsg. (1963-98)
12043	OEM: 47-43026Q06	65-225 HP w/ Large Metal Hsg.
12014	OEM: N/A	75-140 HP (Force & Chrysler Only)

Water Pump Gasket Kits



2-Stroke		
39570	OEM: N/A	20 HP
39580	OEM: N/A	35-60 HP
39530	OEM: N/A	65-225 HP w/ Large Plastic Hsg.

WATER PUMP KITS APPLICATION - FORCE & CHRYSLER ONLY

Model	Cyl.	Year	Complete Kit	Impeller Kit	Model	Cyl.	Year	Complete Kit	Impeller Kit
75 HP Chrysler	3	1980-84	12011	12012	105 HP Chrysler	4	1982-83	12011	12012
85 HP Chrysler	3	1979-84	12011	12012	115 HP Chrysler	4	1979-84	12011	12012
85 HP Force	3	1983-89	12011	12012	125 HP Chrysler	4	1981-82	12011	12012
90 HP Chrysler	4	1983-84	12011	12012	125 HP Force	4	1983-89	12011	12012
100 HP Chrysler	4	1979-84	12011	12012	140 HP Chrysler	4	1979-84	12011	12012

GLM Products, Inc.

WATER PUMP KITS APPLICATION (4-STROKE)

Model	Year	Origin	Serial No. Range	Pump Kit	Upper Kit	Pump Base	Impeller	Impeller Kit	Pump Housing	Pump Cup	Wear Plate
8 (232cc)	1995-98	USA	0G760300-0T178499	12051	N/A	12305	89451	12306	12424	N/A	12494
8 (232cc)	-	USA	0H017100-0H017349	12051	N/A	12305	89451	12306	12424	N/A	12494
8 (323cc) Standard	-	BEL	0P075166-0P325499	12051	N/A	12305	89451	12306	12424	N/A	12494
9.9 (232cc)	1995-98	USA	0H000058-0H016909	12051	N/A	12305	89451	12306	12424	N/A	12494
9.9 (323cc) Standard	-	USA	0G760300-0T979999	12051	N/A	12305	89451	12306	12424	N/A	12494
9.9 (323cc) Standard	-	BEL	0P075166-0P325499	12051	N/A	12305	89451	12306	12424	N/A	12494
9.9 (323cc) Bigfoot	-	USA	0G760300-0T979999	N/A	12014	N/A	89640	N/A	12423	NSS	12490
9.9 (323cc) Bigfoot	-	BEL	0P075166-0P325499	N/A	12014	N/A	89640	N/A	12423	NSS	12490
15 (323cc) Standard	1998	USA	0G590000 & Up	12051	N/A	12305	89451	12306	12424	N/A	12494
15 (323cc) Standard	-	BEL	9973100 & Up	12051	N/A	12305	89451	12306	12424	N/A	12494
15 (323cc) Bigfoot	1998	USA	0G590000 & Up	N/A	12014	N/A	89640	N/A	12423	NSS	12490
15 (323cc) Bigfoot	-	BEL	9973100 & Up	N/A	12014	N/A	89640	N/A	12423	NSS	12490
25 Carb.	1998	USA	0G590000-0T408999	N/A	N/A	12358	89640	12045	12426	N/A	12505
25 Carb.	-	BEL	9973100-0P153499	N/A	N/A	12358	89640	12045	12426	N/A	12505
25 Carb.	1998	USA	0T409000 & Up	N/A	N/A	12358	89640	12045	12426	N/A	12505
25 Carb.	-	BEL	0P153500 & Up	N/A	N/A	12358	89640	12045	12426	N/A	12505
30 Carb., Standard	-	USA	0G760300-0T408999	N/A	N/A	12358	89640	12045	12426	N/A	12505
30 Carb., Standard	-	BEL	0P153500-0P153499	N/A	N/A	12358	89640	12045	12426	N/A	12505
30 Carb., Standard	-	USA	0T409000 & Up	N/A	N/A	12358	89640	12045	12426	N/A	12505
30 Carb., Standard	-	BEL	0P153500 & Up	N/A	N/A	12358	89640	12045	12426	N/A	12505
30 EFI	-	USA	0T409000-1B226999	N/A	N/A	12358	89640	12045	12426	N/A	-
40 Carb.(3-Cyl.) Standard	1998	USA	0G760300-0T408999	N/A	N/A	12358	89640	12045	12426	N/A	12505
40 Carb.(3-Cyl.) Standard	-	BEL	0P153500-0P153499	N/A	N/A	12358	89640	12045	12426	N/A	12505
40 Carb.(3-Cyl.) Standard	1998	USA	0T409000 & Up	N/A	N/A	12358	89640	12045	12426	N/A	12505
40 Carb.(3-Cyl.) Standard	-	BEL	0P153500 & Up	N/A	N/A	12358	89640	12045	12426	N/A	12505
40 EFI (3-Cyl.) Standard	1998	USA	0T409000-1B226999	N/A	N/A	12358	89640	12045	12426	N/A	12505
40 EFI (3-Cyl.) Short Shaft	1998	USA	1B227000 & Up	N/A	N/A	12358	89640	12045	12426	N/A	12505
40 EFI (3-Cyl.) Long Shaft	-	CHN	1C000001 & Up	12124	N/A	12352	89616	N/A	12417	N/A	12506
40 Carb.(4-Cyl.) Bigfoot	1998	USA	0T228405-0T598999	12094	N/A	12342	89630	12043	12416	N/A	12500
40 Carb.(4-Cyl.) Bigfoot	-	BEL	0P094500-0P206999	12094	N/A	12342	89630	12043	12416	N/A	12500
40 EFI (4-Cyl.) Bigfoot	1998	USA	0T409000 & Up	12094	N/A	12342	89630	12043	12416	N/A	12500
40 EFI (4-Cyl.) Bigfoot	-	BEL	0P153500 & Up	12094	N/A	12342	89630	12043	12416	N/A	12500
40 EFI (4-Cyl.) Bigfoot	-	CHN	1C000001 & Up	12094	N/A	12342	89630	12043	12416	N/A	12500
45 (4-Cyl.) Bodensee, Std.	1996-98	USA	0G231123-0T178499	N/A	N/A	12358	89640	12045	12426	N/A	12505
45 (4-Cyl.) Bodensee, B.F.	1996-98	USA	0G231123-0T178499	12094	N/A	12342	89630	12043	12416	N/A	12500
50 Standard	1995-98	USA	0G231123-0T178499	N/A	N/A	12358	89640	12045	12426	N/A	12505
50 Bigfoot	1995-98	USA	0G231123-0T178499	12094	N/A	12342	89630	12043	12416	N/A	12500
50 Carb.(996cc) Standard	1995-98	USA	0T178500-0T598999	12124	N/A	12352	89616	N/A	12417	N/A	12506
50 Carb.(996cc) Standard	-	BEL	0P094500-0P206999	12124	N/A	12352	89616	N/A	12417	N/A	12506
50 Carb.(996cc) Bigfoot	1995-98	USA	0T178500-0T598999	12094	N/A	12342	89630	12043	12416	N/A	12500
50 Carb.(996cc) Bigfoot	-	BEL	0P094500-0P206999	12094	N/A	12342	89630	12043	12416	N/A	12500
50 EFI (996cc) Standard	1995-98	USA	0T409000 & Up	12124	N/A	12352	89616	N/A	12417	N/A	12506
50 EFI (996cc) Standard	-	BEL	0P153500 & Up	12124	N/A	12352	89616	N/A	12417	N/A	12506
50 EFI (996cc) Standard	-	CHN	1C000001 & Up	12124	N/A	12352	89616	N/A	12417	N/A	12506
50 EFI (996cc) Bigfoot	1995-98	USA	0T409000 & Up	12094	N/A	12342	89630	12043	12416	N/A	12500
50 EFI (996cc) Bigfoot	-	BEL	0P153500 & Up	12094	N/A	12342	89630	12043	12416	N/A	12500
50 EFI (996cc) Bigfoot	-	CHN	1C000001 & Up	12094	N/A	12342	89630	12043	12416	N/A	12500
60 Carb.(996cc) Standard	-	USA	0T178500-0T598999	12124	N/A	12352	89616	N/A	12417	N/A	12506
60 Carb.(996cc) Standard	-	BEL	0P094500-0P206999	12124	N/A	12352	89616	N/A	12417	N/A	12506
60 Carb.(996cc) Bigfoot	-	USA	0T178500-0T598999	12094	N/A	12342	89630	12043	12416	N/A	12500
60 Carb.(996cc) Bigfoot	-	BEL	0P094500-0P206999	12094	N/A	12342	89630	12043	12416	N/A	12500
60 EFI (996cc) Standard	-	USA	0T409000 & Up	12124	N/A	12352	89616	N/A	12417	N/A	12506
60 EFI (996cc) Standard	-	BEL	0P153500 & Up	12124	N/A	12352	89616	N/A	12417	N/A	12506
60 EFI (996cc) Standard	-	CHN	1C000001 & Up	12124	N/A	12352	89616	N/A	12417	N/A	12506
60 EFI (996cc) Bigfoot	-	USA	0T409000 & Up	12094	N/A	12342	89630	12043	12416	N/A	12500
60 EFI (996cc) Bigfoot	-	BEL	0P153500 & Up	12094	N/A	12342	89630	12043	12416	N/A	12500
60 EFI (996cc) Bigfoot	-	CHN	1C000001 & Up	12094	N/A	12342	89630	12043	12416	N/A	12500
75 (1596cc)	-	USA	0G960500-1B366822	12094	N/A	12342	89630	12043	12416	N/A	12500
90 (1596cc)	-	USA	0G960500-1B366822	12094	N/A	12342	89630	12043	12416	N/A	12500
115 (1741cc)	-	USA	0T178500-1B366822	12094	N/A	12342	89630	12043	12416	N/A	12500
135 Verado	-	USA	1B227000 & Up	12121	12013	12366	89630	12043	12416	N/A	12500
150 Verado	-	USA	1B227000 & Up	12121	12013	12366	89630	12043	12416	N/A	12500
175 Verado	-	USA	1B227000 & Up	12121	12013	12366	89630	12043	12416	N/A	12500
200 Verado	-	USA	0T980000 & Up	12121	12013	12366	89630	12043	12416	N/A	12500
225 Verado	-	USA	0T980000 & Up	12121	12013	12366	89630	12043	12416	N/A	12500
250 Verado	-	USA	0T980000 & Up	12121	12013	12366	89630	12043	12416	N/A	12500
275 Verado	-	USA	0T980000 & Up	12121	12013	12366	89630	12043	12416	N/A	12500

WATER PUMP KITS APPLICATION (2-STROKE)

Model	Year	Origin	Serial No. Range	Pump Kit	Upper Kit	Pump Base	Impeller	Impeller Kit	Pump Housing	Pump Cup	Wear Plate
3.5	1983-85		6202173 & Up	-	-	-	89800	-	-	12817	-
3.6	1980-82	USA	5404657 & Up	-	-	-	89800	-	-	12817	-
3.6	1980-82	BEL	9252831 & Up	-	-	-	89800	-	-	12817	-
3.6	1980-82	CAN	7145388 & Up	-	-	-	89800	-	-	12817	-
3.9 (14)	1964-71		1655013-2200317	-	N/A	-	89600	N/A	-	-	-
3.9 (14)	1964-71		2200318-2498135	-	N/A	-	89600	N/A	-	-	-
4 (1-Cyl.) .438" Imp. I.D.	1982-86	USA	5595532-0A809600	N.L.A.	N/A	12434	89800	12271	12428	12817	12540
4 (1-Cyl.) .438" Imp. I.D.	1982-86	AUS	8068065 & Up	N.L.A.	N/A	12434	89800	12271	12428	12817	12540
4 (1-Cyl.) .438" Imp. I.D.	1982-86	BEL	9258281-9477829	N.L.A.	N/A	12434	89800	12271	12428	12817	12540
4 (1-Cyl.) .438" Imp. I.D.	1982-86	CAN	7143688 & Up	N.L.A.	N/A	12434	89800	12271	12428	12817	12540
4 (1-Cyl.) .456" Imp. I.D.	1982-86	USA	5595532 & Up	12122	N/A	12433	89810	12270	12428	12817	12540
4 (1-Cyl.) .456" Imp. I.D.	1982-86	AUS	8068065 & Up	12122	N/A	12433	89810	12270	12428	12817	12540
4 (1-Cyl.) .456" Imp. I.D.	1982-86	BEL	9258281 & Up	12122	N/A	12433	89810	12270	12428	12817	12540
4 (1-Cyl.) .456" Imp. I.D.	1982-86	CAN	7143688 & Up	12122	N/A	12433	89810	12270	12428	12817	12540
40/4 (2-Cyl.) GNAT .438" Imp. I.D.	1976-79	BEL	9075839-9256980	N.L.A.	N/A	-	89800	N/A	-	12817	-
40/4 (2-Cyl.) GNAT .438" Imp. I.D.	1976-79	CAN	7085673-7146487	N.L.A.	N/A	-	89800	N/A	-	12817	-
40/4 (2-Cyl.) GNAT .456" Imp. I.D.	1976-79	BEL	9075839-9256980	N.L.A.	N/A	-	89810	N/A	-	12817	-
40/4 (2-Cyl.) GNAT .456" Imp. I.D.	1976-79	CAN	7085673-7146487	N.L.A.	N/A	-	89810	N/A	-	12817	-
40/4 (2-Cyl.)	1980-81	USA	5589202 & Up	-	N/A	-	89800	N/A	-	12817	-
40/4 (2-Cyl.)	1980-81	AUS	8065265 & Up	-	N/A	-	89800	N/A	-	12817	-
40/4 (2-Cyl.)	1980-81	BEL	9256981 & Up	-	N/A	-	89800	N/A	-	12817	-
40/4 (2-Cyl.)	1980-81	CAN	7146488 & Up	-	N/A	-	89800	N/A	-	12817	-
45/4.5 (1-Cyl.)	1975-79	USA	4107220-5595531	12122	N/A	12433	89810	12270	12428	12817	12540
45/4.5 (1-Cyl.)	1975-79	AUS	8026540-8068064	12122	N/A	12433	89810	12270	12428	12817	12540
45/4.5 (1-Cyl.)	1975-79	BEL	9072179-9258280	12122	N/A	12433	89810	12270	12428	12817	12540
45/4.5 (1-Cyl.)	1975-79	CAN	7045758-7147237	12122	N/A	12433	89810	12270	12428	12817	12540
45/4.5 (1-Cyl.) .438" Imp. I.D.	1980-85	USA	5595532 & Up	N.L.A.	N/A	12434	89800	12271	12428	12817	12540
45/4.5 (1-Cyl.) .438" Imp. I.D.	1980-85	AUS	8068065 & Up	N.L.A.	N/A	12434	89800	12271	12428	12817	12540
45/4.5 (1-Cyl.) .438" Imp. I.D.	1980-85	BEL	9258281 & Up	N.L.A.	N/A	12434	89800	12271	12428	12817	12540
45/4.5 (1-Cyl.) .438" Imp. I.D.	1980-85	CAN	7147238 & Up	N.L.A.	N/A	12434	89800	12271	12428	12817	12540
45/4.5 (1-Cyl.) .456" Imp. I.D.	1980-85	USA	5595532 & Up	12122	N/A	12433	89810	12270	12428	12817	12540
45/4.5 (1-Cyl.) .456" Imp. I.D.	1980-85	AUS	8068065 & Up	12122	N/A	12433	89810	12270	12428	12817	12540
45/4.5 (1-Cyl.) .456" Imp. I.D.	1980-85	BEL	9258281 & Up	12122	N/A	12433	89810	12270	12428	12817	12540
45/4.5 (1-Cyl.) .456" Imp. I.D.	1980-85	CAN	7147238 & Up	12122	N/A	12433	89810	12270	12428	12817	12540
60 (6 HP)	1963-65		1408611-1490054	N.L.A.	N/A	N.L.A.	89600	N/A	-	N.L.A.	-
60 (6 HP)	1963-65		1490055-1582402	N.L.A.	N/A	N.L.A.	89600	N/A	-	-	-
60 (6 HP) (12)	1963-65		1582403-1916138	-	N/A	-	89600	N/A	-	-	-
60 (6 HP) (12)	1966-68		1916139-2193817	-	N/A	-	89810	N/A	-	-	-
60 (6 HP)	1966-68		2193818-2529894	-	N/A	-	89810	N/A	12428	12817	12540
60J (6 HP)	1967-68		2385673-2387383	N/A	N/A	N.L.A.	89810	N/A	N.L.A.	N.L.A.	N.L.A.
6	1986-93	USA	0A197112-0T800749	12051	N/A	12305	89451	12306	12424	N/A	12494
6	1986-93	BEL	9461526 & Up	12051	N/A	12305	89451	12306	12424	N/A	12494
75 (7.5 HP)	1969-77	USA	2529895-4131609	-	N/A	-	89810	N/A	12428	12817	12540
75 (7.5 HP)	1974-77	AUS	8015315-8028839	-	N/A	-	89810	N/A	12428	12817	12540
75 (7.5 HP)	1974-77	BEL	9043194-9079488	-	N/A	-	89810	N/A	12428	12817	12540
75 (7.5 HP)	1974-77	CAN	7028598-7050207	-	N/A	-	89810	N/A	12428	12817	12540
75 (7.5 HP)	1974-78	USA	4131610-5226934	12122	N/A	12433	89810	12270	12428	12817	12540
75 (7.5 HP)	1974-77	AUS	8028840-8058019	12122	N/A	12433	89810	12270	12428	12817	12540
75 (7.5 HP)	1974-78	BEL	9079489-9219255	12122	N/A	12433	89810	12270	12428	12817	12540
75 (7.5 HP)	1974-78	CAN	7050206-7136037	12122	N/A	12433	89810	12270	12428	12817	12540
7.5 HP, .438" Imp. I.D.	1979-86	USA	5206550 & Up	N.L.A.	N/A	12434	89800	12271	12428	12817	12540
7.5 HP, .438" Imp. I.D.	1979-86	AUS	8057545 & Up	N.L.A.	N/A	12434	89800	12271	12428	12817	12540
7.5 HP, .438" Imp. I.D.	1979-86	BEL	9217756 & Up	N.L.A.	N/A	12434	89800	12271	12428	12817	12540
7.5 HP, .438" Imp. I.D.	1979-86	CAN	7125388 & Up	N.L.A.	N/A	12434	89800	12271	12428	12817	12540
7.5 HP, .456" Imp. I.D.	1979-86	USA	5206550 & Up	12122	N/A	12433	89810	12270	12428	12817	12540
7.5 HP, .456" Imp. I.D.	1979-86	AUS	8057545 & Up	12122	N/A	12433	89810	12270	12428	12817	12540
7.5 HP, .456" Imp. I.D.	1979-86	BEL	9217756 & Up	12122	N/A	12433	89810	12270	12428	12817	12540
7.5 HP, .456" Imp. I.D.	1979-86	CAN	7125388 & Up	12122	N/A	12433	89810	12270	12428	12817	12540
8	1986-93	USA	0A197112 & Up	12051	N/A	12305	89451	12306	12424	N/A	12494
8	1986-93	BEL	9461526 & Up	12051	N/A	12305	89451	12306	12424	N/A	12494
110 (9.8 HP) (13)	1966-69		1865779-2196388	-	N/A	-	89810	N/A	-	-	-
110 (9.8 HP)	1970-73		2196389-3795657	-	N/A	-	89810	N/A	12428	12817	12540
110 (9.8 HP)	1974-77	USA	3795658-4126459	-	N/A	-	89810	N/A	12424	12817	12540
110 (9.8 HP)	1974-77	AUS	8015040-8028439	-	N/A	-	89810	N/A	12424	12817	12540
110 (9.8 HP)	1974-77	BEL	9041439-9078138	-	N/A	-	89810	N/A	12424	12817	12540
110 (9.8 HP)	1974-77	CAN	7027323-7049107	-	N/A	-	89810	N/A	12424	12817	12540
110 (9.8 HP)	1974-78	USA	4126460-5206549	12122	N/A	12433	89810	12270	12428	12817	12540
110 (9.8 HP)	1974-78	AUS	8028440-8057554	12122	N/A	12433	89810	12270	12428	12817	12540

GLM Products, Inc.

WATER PUMP KITS APPLICATION (2-STROKE)

Model	Year	Origin	Serial No. Range	Pump Kit	Upper Kit	Pump Base	Impeller	Impeller Kit	Pump Housing	Pump Cup	Wear Plate
110 (9.8 HP)	1974-78	BEL	9078139-9217755	12122	N/A	12433	89810	12270	12428	12817	12540
110 (9.8 HP)	1974-78	CAN	7049108-7125387	12122	N/A	12433	89810	12270	12428	12817	12540
9.8 HP, .438" Imp. I.D.	1979-85	USA	5206550 & Up	N.L.A.	N/A	12434	89800	12271	12428	12817	12540
9.8 HP, .438" Imp. I.D.	1979-85	AUS	8057545 & Up	N.L.A.	N/A	12434	89800	12271	12428	12817	12540
9.8 HP, .438" Imp. I.D.	1979-85	BEL	9217756 & Up	N.L.A.	N/A	12434	89800	12271	12428	12817	12540
9.8 HP, .438" Imp. I.D.	1979-85	CAN	7125388 & Up	N.L.A.	N/A	12434	89800	12271	12428	12817	12540
9.8 HP, .456" Imp. I.D.	1979-85	USA	5206550 & Up	12122	N/A	12433	89810	12270	12428	12817	12540
9.8 HP, .456" Imp. I.D.	1979-85	AUS	8057545 & Up	12122	N/A	12433	89810	12270	12428	12817	12540
9.8 HP, .456" Imp. I.D.	1979-85	BEL	9217756 & Up	12122	N/A	12433	89810	12270	12428	12817	12540
9.8 HP, .456" Imp. I.D.	1979-85	CAN	7125388 & Up	12122	N/A	12433	89810	12270	12428	12817	12540
9.9	1986-98	USA	0A197112 & Up	12051	N/A	12305	89451	12306	12424	N/A	12494
9.9	1986-93	BEL	9461526 & Up	12051	N/A	12305	89451	12306	12424	N/A	12494
XR10, Sea Pro, 10 Mag. & Marathon	1990-98	USA	0D038000 & Up	12051	N/A	12305	89451	12306	12424	N/A	12494
XR10, Sea Pro, 10 Mag. & Marathon	1990-98	BEL	9596000 & Up	12051	N/A	12305	89451	12306	12424	N/A	12494
15	1988-98	USA	0B292414 & Up	12051	N/A	12305	89451	12306	12424	N/A	12494
15	1988-93	BEL	9542620 & Up	12051	N/A	12305	89451	12306	12424	N/A	12494
15 Sea Pro & Marathon	1994-98	USA	0G044365 & Up	12051	N/A	12305	89451	12306	12424	N/A	12494
15 Sea Pro & Marathon	1997-98	BEL	9927000 & Up	12051	N/A	12305	89451	12306	12424	N/A	12494
15 XD, Big Foot	1997-98	BEL	9927000 & Up	N/A	12014	N.L.A.	89640	12107	12423	N/A	12490
18, 18XD	1980-85	USA	5837437 & Up	N/A	12014	N.L.A.	89640	12107	12423	N/A	12490
18, 18XD	1980-83	AUS	8071973 & Up	N/A	12014	N.L.A.	89640	12107	12423	N/A	12490
18, 18XD	1980-85	BEL	9308306 & Up	N/A	12014	N.L.A.	89640	12107	12423	N/A	12490
200 (20 HP)	1966-67		1866496-2296266	N.L.A.	N/A	N.L.A.	-	N/A	-	N.L.A.	12530
200 (20 HP) (2)	1968-69		2296267-2827676	N.L.A.	N/A	N.L.A.	-	N/A	N.L.A.	N.L.A.	12530
200 (20 HP) (4)	1968-69		2296267-2827676	N.L.A.	N/A	-	-	N/A	-	-	12530
200 (20 HP)	1970-81	USA	2827677-6443972	-	N/A	-	89820	12260	-	-	12530
200 (20 HP)	1973-81	AUS	8006265 & Up	-	N/A	-	89820	12260	-	-	12530
200 (20 HP)	1973-81	BEL	9016254-9415100	-	N/A	-	89820	12260	-	-	12530
200 (20 HP)	1973-81	CAN	7012358-7209532	-	N/A	-	89820	12260	-	-	12530
20, 20XD	1986-87	USA	6443973-0T800749	N/A	12014	N/A	89640	12107	12423	N/A	12490
20, 20XD	1986-87	BEL	9415101 & Up	N/A	12014	N/A	89640	12107	12423	N/A	12490
20, 20XD	1986-87	CAN	7209533 & Up	N/A	12014	N/A	89640	12107	12423	N/A	12490
25, 25XD	1980-87	USA	5705532 & Up	N/A	12014	N/A	89640	12107	12423	N/A	12490
25, 25XD	1980-83	AUS	8073158 & Up	N/A	12014	N/A	89640	12107	12423	N/A	12490
25 Sea Pro, Mara., Super 15	1988-98	USA	0B238464 & Up	N/A	12014	N/A	89640	12107	12423	N/A	12490
25 Sea Pro, Mara., Super 15	1988-94	BEL	9507381 & Up	N/A	12014	N/A	89640	12107	12423	N/A	12490
25 Sea Pro, Mara., Super 15	1988-94	CAN	0A730007 & Up	N/A	12014	N/A	89640	12107	12423	N/A	12490
25 (3-Cyl.)	1997 & Up	USA	0E268781 & Up	N/A	12014	N/A	89640	12107	12423	N/A	12490
300 (30 HP)	1959-61		1271884-1448139	N/A	N/A	N.L.A.	89830	N/A	-	N/A	-
30 (2-Cyl.) (644cc)	1994-98	USA	0G053314-0T598999	N/A	N/A	12358	89640	12045	12426	N/A	12505
30 Jet	1994-97	USA	0C159200-0G58999	12100	12010	12030	89830	12250	12420	12860	12520
30 Jet	1998	USA	0G590000 & Up	N/A	N/A	N/A	89640	12045	12426	N/A	12505
350 (35 HP)	1963-65 1/2		1571114-1960826	N/A	N/A	-	89830	N/A	-	N.L.A.	-
350 (35 HP) (2)	1966-69		1960827-2453068	N/A	N/A	-	89830	N/A	-	-	12520
350 (35 HP) (4)	1966-69		1960827-2453068	N/A	12010	12380	89830	N/A	12420	12860	12520
35 (2-Cyl.)	1984-89	USA	6445653 & Up	12100	12010	12030	89830	12250	12420	12860	12520
35 (2-Cyl.)	1984-86	BEL	9384476 & Up	12100	12010	12030	89830	12250	12420	12860	12520
35 (2-Cyl.)	1984-86	USA	7209608 & Up	12100	12010	12030	89830	12250	12420	12860	12520
400 (40 HP)	1960-61		1279685-1476509	N/A	N/A	N.L.A.	89830	N/A	-	N.L.A.	-
400, 402 (40 HP)	1970-77	USA	2874704-4362214	N/A	12010	12380	89830	12250	12420	12860	12520
400, 402 (40 HP)	1970-77	AUS	8002335-8036449	N/A	12010	12380	89830	12250	12420	12860	12520
400, 402 (40 HP)	1970-77	BEL	3339688-9108563	N/A	12010	12380	89830	12250	12420	12860	12520
400, 402 (40 HP)	1970-77	CAN	3340783-7070272	N/A	12010	12380	89830	12250	12420	12860	12520
402 (40 HP)	1975-77	USA	4362215-4860102	N/A	12010	12020	89830	12250	12420	12860	12520
402 (40 HP)	1975-77	AUS	8036450-8052124	N/A	12010	12020	89830	12250	12420	12860	12520
402 (40 HP)	1975-77	BEL	9108564-9184450	N/A	12010	12020	89830	12250	12420	12860	12520
402 (40 HP)	1975-77	CAN	7070273-7112422	N/A	12010	12020	89830	12250	12420	12860	12520
402, 40 (2-Cyl.) 1983 & Before	1978-83	USA	4860103 & Up	12100	12010	12030	89830	12250	12420	12860	12520
402, 40 (2-Cyl.) 1983 & Before	1978-83	AUS	8052125 & Up	12100	12010	12030	89830	12250	12420	12860	12520
402, 40 (2-Cyl.) 1983 & Before	1978-83	BEL	9184451 & Up	12100	12010	12030	89830	12250	12420	12860	12520
402, 40 (2-Cyl.) 1983 & Before	1978-83	CAN	7112423 & Up	12100	12010	12030	89830	12250	12420	12860	12520
40 (2-Cyl.) (644cc) 1994 & Up	1994-98	USA	0G053314 & Up	N/A	N/A	12358	89640	12045	12426	N/A	12505
40 (3-Cyl.)	1997-98	USA	0G531301 & Up	N/A	N/A	12358	89640	12045	12426	N/A	12505
40 (3-Cyl.)	1997-98	BEL	9973100 & Up	N/A	N/A	12358	89640	12045	12426	N/A	12505
40 (4-Cyl.)	1989 & Up	USA	0C159200 & Up	12100	12010	12030	89830	12250	12420	12860	12520
40 (4-Cyl.)	1989 & Up	BEL	9570790 & Up	12100	12010	12030	89830	12250	12420	12860	12520
45 Jet	1994-95	USA	0D000750 & Up	12095	N/A	N/A	89616	12044	12417	N/A	12506
45 (4-Cyl.)	1986	USA	5531630 & Up	12100	12010	12030	89830	12250	12420	12860	12520

WATER PUMP KITS APPLICATION (2-STROKE)

Model	Year	Origin	Serial No. Range	Pump Kit	Upper Kit	Pump Base	Impeller	Impeller Kit	Pump Housing	Pump Cup	Wear Plate
45 (4-Cyl.)	1986	AUS	8063985 & Up	12100	12010	12030	89830	12250	12420	12860	12520
45 (4-Cyl.)	1986	BEL	9248006 & Up	12100	12010	12030	89830	12250	12420	12860	12520
45 (4-Cyl.)	1986	CAN	743688 & Up	12100	12010	12030	89830	12250	12420	12860	12520
500 (50 HP)	1961-64		1421113-1460498	N/A	N/A	N.L.A.	89830	N/A	-	N.L.A.	-
500 (50 HP)	1961-64		1477910-1521913	N/A	N/A	N.L.A.	89830	N/A	N.L.A.	-	N.L.A.
500 (50 HP)	1961-67	USA	1521914-2305100	N/A	N/A	-	89830	N/A	-	-	12520
500 (50 HP)	1965-67	CAN	1755549-2305100	N/A	N/A	-	89830	N/A	-	-	12520
500 (50 HP) (2)	1968-70	USA	2305101-2478119	N/A	N/A	-	89830	N/A	-	-	12520
500 (50 HP) (4)	1968-70	USA	2305101-2478119	N/A	12010	12380	89830	12250	12420	12860	12520
500 (50 HP) (2)	1971-74	CAN	2305101-2308830	N/A	N/A	-	89830	N/A	-	-	12520
500 (50 HP) (4)	1971-74	CAN	2305101-2308830	N/A	12010	12380	89830	12250	12420	12860	12520
500 (50 HP)	1971-75	USA	2514919-4357639	N/A	12010	12380	89830	12250	12420	12860	12520
500 (50 HP)	1971-75	AUS	2863739-8030089	N/A	12010	12380	89830	12250	12420	12860	12520
500 (50 HP)	1971-75	BEL	9001581-9107213	N/A	12010	12380	89830	12250	12420	12860	12520
500 (50 HP)	1971-75	CAN	2519919-7068997	N/A	12010	12380	89830	12250	12420	12860	12520
500, 50 HP (4-Cyl.)	1976-79	USA	4357640-5531629	12180	12010	12020	89830	12250	12420	12860	12520
500, 50 HP (4-Cyl.)	1976-79	AUS	8030090-8063984	12180	12010	12020	89830	12250	12420	12860	12520
500, 50 HP (4-Cyl.)	1976-79	BEL	9107214-9248005	12180	12010	12020	89830	12250	12420	12860	12520
500, 50 HP (4-Cyl.)	1976-79	CAN	7068998-7143687	12180	12010	12020	89830	12250	12420	12860	12520
50 HP (4-Cyl.)	1980-85	USA	5531630 & Up	12100	12010	12030	89830	12250	12420	12860	12520
50 HP (4-Cyl.)	1980-85	AUS	8063985 & Up	12100	12010	12030	89830	12250	12420	12860	12520
50 HP (4-Cyl.)	1980-85	BEL	9248006 & Up	12100	12010	12030	89830	12250	12420	12860	12520
50 HP (4-Cyl.)	1980-85	CAN	7143688 & Up	12100	12010	12030	89830	12250	12420	12860	12520
50 HP (3-Cyl.)	1986-87	USA	6428681-0D000749	12100	12010	12030	89830	12250	12420	12860	12520
50 HP (3-Cyl.)	1986-87	BEL	9385911-9683054	12100	12010	12030	89830	12250	12420	12860	12520
50 HP (3-Cyl.)	1986-87	CAN	7208333 & Up	12100	12010	12030	89830	12250	12420	12860	12520
50 HP (3-Cyl.)	1991-97	USA	0D000750-0G589999	12095	N/A	12352	89616	12044	12417	N/A	12506
50 HP (3-Cyl.)	1991-97	BEL	9683055-9973099	12095	N/A	12352	89616	12044	12417	N/A	12506
50 HP (3-Cyl.)	1998	USA	0G590000 & Up	N/A	N/A	12358	89640	12045	12426	N/A	12505
50 HP (3-Cyl.)	1998	BEL	9973100 & Up	N/A	N/A	12358	89640	12045	12426	N/A	12505
55 HP (3-Cyl.)	1996-97	USA	0D000750 & Up	12095	N/A	12352	89616	12044	12417	N/A	12506
55 HP (3-Cyl.)	1996-97	BEL	9741042 & Up	12095	N/A	12352	89616	12044	12417	N/A	12506
60 HP (3-Cyl.)	1984-87	USA	6428681-0D000749	12100	12010	12030	89830	12250	12420	12860	12520
60 HP (3-Cyl.)	1984-87	BEL	9385911-9683054	12100	12010	12030	89830	12250	12420	12860	12520
60 HP (3-Cyl.)	1984-87	CAN	7208333 & Up	12100	12010	12030	89830	12250	12420	12860	12520
60 HP (3-Cyl.) Standard	1991-95	USA	0D000750 & Up	12095	N/A	12352	89616	12044	12417	N/A	12506
60 HP (3-Cyl.) Standard	1991-95	BEL	9683055 & Up	12095	N/A	12352	89616	12044	12417	N/A	12506
60 HP (3-Cyl.) Bigfoot	1991-95	USA	0D000750 & Up	12094	N/A	12342	89630	12043	12416	N/A	12500
60 HP (3-Cyl.) Bigfoot	1991-95	BEL	9683055 & Up	12094	N/A	12342	89630	12043	12416	N/A	12500
650 (65 HP) (4-Cyl.) (2)	1963-69		1542745-2803561	N/A	12280	12344	89840	12290	12410	-	12510
650 (65 HP) (4-Cyl.) (4)	1963-69		1542745-2803561	N/A	12280	12343	89840	12290	12410	12810	12510
650 (65 HP) (4-Cyl.)	1970-72		2803562-2874263	N/A	12280	12343	89840	12290	12410	12810	12510
650 (65 HP) (4-Cyl.)	1970-72		2997439-3293183	N/A	12280	-	89840	12290	12410	12810	12510
65 HP (3-Cyl.)	1972-75	USA	3293184-4382056	N/A	12010	12380	89830	N/A	12420	12860	12520
65 HP (3-Cyl.)	1973-75	AUS	8006640-8042349	N/A	12010	12380	89830	N/A	12420	12860	12520
65 HP (3-Cyl.)	1973-75	BEL	9020074-9112988	N/A	12010	12380	89830	N/A	12420	12860	12520
65 HP (3-Cyl.)	1973-75	CAN	7013633-7073472	N/A	12010	12380	89830	N/A	12420	12860	12520
65 HP (3-Cyl.)	1976	USA	4382057-4571651	N/A	12010	12020	89830	N/A	12420	12860	12520
65 HP (3-Cyl.)	1976	BEL	9112989-9135824	N/A	12010	12020	89830	N/A	12420	12860	12520
65 HP (3-Cyl.)	1976	CAN	7073473-7087822	N/A	12010	12020	89830	N/A	12420	12860	12520
65 Jet	1994-98	USA	0D283222 & Up	12094	N/A	12342	89630	12043	12416	N/A	12500
65 Jet	1994-98	BEL	9793577 & Up	12094	N/A	12342	89630	12043	12416	N/A	12500
700 (70 HP) (6-Cyl.)	1961		1413611-1436114	N/A	N/A	N.L.A.	89840	N/A	N.L.A.	-	12510
700 (70 HP) (6-Cyl.)	1961		1482212-1503458	N/A	N/A	N.L.A.	89840	N/A	N.L.A.	-	N.L.A.
700 E-2 (70 HP) (6-Cyl.)	1961		1503459-1503958	N/A	N/A	N.L.A.	89840	N/A	N.L.A.	-	N.L.A.
700 EL-2 (70 HP) (6-Cyl.)	1961		1503459-1505110	N/A	N/A	N.L.A.	89840	N/A	N.L.A.	-	N.L.A.
700 E-2 (70 HP) (6-Cyl.) (11)	1961		1503959-1566239	N/A	12280	12344	89840	12290	12410	-	12510
700 EL-2 (70 HP) (6-Cyl.) (11)	1961		1505111-1566239	N/A	12280	12344	89840	12290	12410	-	12510
70 HP (3-Cyl.)	1977-79	USA	4571652-4977156	12180	12010	12020	89830	N/A	12420	12860	12520
70 HP (3-Cyl.)	1977-79	AUS	8042350-8050199	12180	12010	12020	89830	N/A	12420	12860	12520
70 HP (3-Cyl.)	1977-79	BEL	9135825-9196960	12180	12010	12020	89830	N/A	12420	12860	12520
70 HP (3-Cyl.)	1977-79	CAN	7087823-7110997	12180	12010	12020	89830	N/A	12420	12860	12520
70 HP (3-Cyl.)	1977-83	USA	4977157-6428680	12100	12010	12030	89830	12250	12420	12860	12520
70 HP (3-Cyl.)	1977-83	AUS	8050200 & Up	12100	12010	12030	89830	12250	12420	12860	12520
70 HP (3-Cyl.)	1977-83	BEL	9196961-9385910	12100	12010	12030	89830	12250	12420	12860	12520
70 HP (3-Cyl.)	1977-83	CAN	7110998-7208332	12100	12010	12030	89830	12250	12420	12860	12520
70 HP (3-Cyl.) (6)	1987	USA	0A996142-0C221999	12094	N/A	12342	89630	N/A	12416	N/A	12416
70 HP (3-Cyl.) (6)	1987	BEL	9483121-9589038	12094	N/A	12342	89630	N/A	12416	N/A	12416

GLM Products, Inc.

WATER PUMP KITS APPLICATION (2-STROKE)

Model	Year	Origin	Serial No. Range	Pump Kit	Upper Kit	Pump Base	Impeller	Impeller Kit	Pump Housing	Pump Cup	Wear Plate
70 HP (3-Cyl.) (5)	1987	USA	0A996142-0C221999	12094	N/A	12342	89630	12043	12416	N/A	12500
70 HP (3-Cyl.) (5)	1987	BEL	9483121-9589038	12094	N/A	12342	89630	12043	12416	N/A	12500
75 HP (4-Cyl.)	1984-88	USA	6432901 & Up	-	12280	12370	89840	12290	12410	12810	12510
75 HP (4-Cyl.)	1984-88	BEL	9393856 & Up	-	12280	12370	89840	12290	12410	12810	12510
75 HP (4-Cyl.)	1984-88	CAN	7208573 & Up	-	12280	12370	89840	12290	12410	12810	12510
75 HP (3-Cyl.) (6)	1990-98	USA	0C222000 & Up	12094	N/A	12342	89630	12043	12416	N/A	12416
75 HP (3-Cyl.) (6)	1990-98	BEL	9589039 & Up	12094	N/A	12342	89630	12043	12416	N/A	12416
75 HP (3-Cyl.) (5)	1990-98	USA	0C222000 & Up	12094	N/A	12342	89630	12043	12416	N/A	12500
75 HP (3-Cyl.) (5)	1990-98	BEL	9589039 & Up	12094	N/A	12342	89630	12043	12416	N/A	12500
75 (3-Cyl.) Optimax	1994-98	USA	0T980000 & Up	12094	N/A	12342	89630	12043	12416	N/A	12500
800 (80 HP) (6-Cyl.)	1960		1335465-1398629	N/A	N/A	N.L.A.	89840	N/A	N.L.A.	-	N.L.A.
800 (80 HP) (6-Cyl.)	1961		1398630-1566239	N/A	N/A	N.L.A.	89840	N/A	N.L.A.	-	12510
800 (80 HP) (4-Cyl.)	1969-72		2559001-3144218	N/A	12280	12343	89840	12290	12410	12810	12510
800 (80 HP) (4-Cyl.)	1969-72		3144219-3493912	N/A	12280	-	89840	12290	12410	12810	12510
80 HP (4-Cyl.)	1978-83	USA	4831999-6432900	N/A	12280	12370	89840	12290	12410	12810	12510
80 HP (4-Cyl.)	1978-83	AUS	8050200 & Up	N/A	12280	12370	89840	12290	12410	12810	12510
80 HP (4-Cyl.)	1978-83	BEL	9177626-9393855	N/A	12280	12370	89840	12290	12410	12810	12510
80 HP (4-Cyl.)	1978-83	CAN	7110998-7208572	N/A	12280	12370	89840	12290	12410	12810	12510
80 HP (3-Cyl.) (6)	1987	USA	0A996142-0C221999	12094	N/A	12342	89630	N/A	12416	N/A	12416
80 HP (3-Cyl.) (6)	1987	BEL	9483121-9589038	12094	N/A	12342	89630	N/A	12416	N/A	12416
80 HP (3-Cyl.) (5)	1987	USA	0A996142-0C221999	12094	N/A	12342	89630	12043	12416	N/A	12500
80 HP (3-Cyl.) (5)	1987	BEL	9483121-9589038	12094	N/A	12342	89630	12043	12416	N/A	12500
80 Jet	1994-98	USA	0D283222 & Up	12094	N/A	12342	89630	12043	12416	N/A	12500
80 Jet	1994-98	BEL	9793577 & Up	12094	N/A	12342	89630	12043	12416	N/A	12500
850 E, EL (85 HP) (6-Cyl.)	1963-64		1460999-1567039	N/A	N/A	N.L.A.	89840	N/A	N.L.A.	-	N.L.A.
850 E-1, EL-1 (85 HP) (6-Cyl.) (11)	1963-64		1566240-1766823	N/A	12280	12344	89840	12290	12410	-	12510
850, 850 XS (85 HP) (4-Cyl.)	1973-77	USA	3493913-4590511	N/A	12280	-	89840	12290	12410	12810	12510
850, 850 XS (85 HP) (4-Cyl.)	1973-77	BEL	9011604-9139349	N/A	12280	-	89840	12290	12410	12810	12510
850, 850 XS (85 HP) (4-Cyl.)	1973-77	CAN	7010108-7091097	N/A	12280	-	89840	12290	12410	12810	12510
850 SX (85 HP) (4-Cyl.)	1973-77	USA	3493913-4831998	N/A	12280	12356	89840	12290	12410	12810	12510
850 SX (85 HP) (4-Cyl.)	1976-77	AUS	8043775-8050199	N/A	12280	12356	89840	12290	12410	12810	12510
850 SX (85 HP) (4-Cyl.)	1973-77	BEL	9011604-9177625	N/A	12280	12356	89840	12290	12410	12810	12510
850 SX (85 HP) (4-Cyl.)	1973-77	CAN	7010108-7110997	N/A	12280	12356	89840	12290	12410	12810	12510
850 SX (85 HP) (4-Cyl.)	1973-77	USA	3493913-4831998	N/A	12280	12370	89840	12290	12410	12810	12510
850 SX (85 HP) (4-Cyl.)	1973-77	AUS	8043775-8050199	N/A	12280	12370	89840	12290	12410	12810	12510
850 SX (85 HP) (4-Cyl.)	1973-77	BEL	9011604-9177625	N/A	12280	12370	89840	12290	12410	12810	12510
850 SX (85 HP) (4-Cyl.)	1973-77	CAN	7010108-7110997	N/A	12280	12370	89840	12290	12410	12810	12510
900 (90 HP) (6-Cyl.) (11)	1965		1766824-1869775	N/A	12280	12344	89840	12290	12410	-	12510
90 HP (6-Cyl.)	1978-86	USA	4845301 & Up	N/A	12280	12370	89840	12290	12410	12810	12510
90 HP (6-Cyl.)	1979-83	AUS	8060545 & Up	N/A	12280	12370	89840	12290	12410	12810	12510
90 HP (6-Cyl.)	1978-86	CAN	7111698 & Up	N/A	12280	12370	89840	12290	12410	12810	12510
90 HP (3-Cyl.) (6)	1987	USA	0A996142 & Up	12094	N/A	12342	89630	N/A	12416	N/A	12416
90 HP (3-Cyl.) (6)	1987	BEL	9483121 & Up	12094	N/A	12342	89630	N/A	12416	N/A	12416
90 HP (3-Cyl.) (5)	1987	USA	0A996142 & Up	12094	N/A	12342	89630	12043	12416	N/A	12500
90 HP (3-Cyl.) (5)	1987	BEL	9483121 & Up	12094	N/A	12342	89630	12043	12416	N/A	12500
115 (3-Cyl.) Optimax	-	USA	0T801000 & Up	12094	N/A	12342	89630	12043	12416	N/A	12500
950 (95 HP) (6-Cyl.) (11)	1966-67		1869776-2318585	N/A	12280	12344	89840	12290	12410	-	12510
1000 (100 HP) (6-Cyl.) (11)	1962-63		1464949-1503331	N/A	-	-	89840	N/A	N.L.A.	-	N.L.A.
1000 (100 HP) (6-Cyl.) (11)	1962-65		1503332-2318585	N/A	12280	12344	89840	12290	12410	-	12510
1000 SS (E) (100 HP) (6-Cyl.) (1)	1962-65	USA	2318586-2413843	N/A	12280	12344	89840	12290	12410	-	12510
1000 SS (E) (100 HP) (6-Cyl.) (1)	1962-65	CAN	2320991-2321200	N/A	12280	12344	89840	12290	12410	-	12510
1000 SS (E) (100 HP) (6-Cyl.) (3)	1968-69	USA	2318586-2413843	N/A	12280	12344	89840	12290	12410	12810	12510
1000 SS (E) (100 HP) (6-Cyl.) (3)	1968-69	CAN	2320991-2321200	N/A	12280	12344	89840	12290	12410	12810	12510
1000 SS (E-1) (100 HP) (6-Cyl.) (1)	1968-69	USA	2484633-2836018	N/A	12280	12343	89840	12290	12410	-	12510
1000 SS (E-1) (100 HP) (6-Cyl.) (1)	1968-69	CAN	2487363-2836018	N/A	12280	12343	89840	12290	12410	-	12510
1000 SS (E-1) (100 HP) (6-Cyl.) (3)	1968-69	USA	2484633-2836018	N/A	12280	12343	89840	12290	12410	12810	12510
1000 SS (E-1) (100 HP) (6-Cyl.) (3)	1968-69	CAN	2487363-2836018	N/A	12280	12343	89840	12290	12410	12810	12510
1000 BP (100 HP) (6-Cyl.)	1968-69		2399698-3253111	N/A	N/A	-	89840	N/A	N.L.A.	-	N.L.A.
100 HP (4-Cyl.) (6)	1988-98	USA	0B209468 & Up	12094	N/A	12342	89630	N/A	12416	N/A	12416
100 HP (4-Cyl.) (6)	1988-98	BEL	9523034 & Up	12094	N/A	12342	89630	N/A	12416	N/A	12416
100 HP (4-Cyl.) (5)	1988-98	USA	0B209468 & Up	12094	N/A	12342	89630	12043	12416	N/A	12500
100 HP (4-Cyl.) (5)	1988-98	BEL	9523034 & Up	12094	N/A	12342	89630	12043	12416	N/A	12500
105 Jet	1994-95	USA	0D082000 & Up	N/A	12280	12320	89840	12290	12410	12810	12510
105 Jet	1994-95	BEL	9682500 & Up	N/A	12280	12320	89840	12290	12410	12810	12510
1100 (110 HP) (6-Cyl.) (1)	1966-67		1870204-2314955	N/A	12280	12344	89840	12290	12410	-	12510
1100 (110 HP) (6-Cyl.) (3)	1966-67		1870204-2314955	N/A	12280	12344	89840	12290	12410	12810	12510
1150 (115 HP) (6-Cyl.)	1970-77	USA	2836019-4112634	N/A	12280	12342	89840	12290	12410	12810	12510
1150 (115 HP) (6-Cyl.)	1973-77	AUS	8008665-8027114	N/A	12280	12342	89840	12290	12410	12810	12510

GLM Products, Inc.

WATER PUMP KITS APPLICATION (2-STROKE)

Model	Year	Origin	Serial No. Range	Pump Kit	Upper Kit	Pump Base	Impeller	Impeller Kit	Pump Housing	Pump Cup	Wear Plate
1150 (115 HP) (6-Cyl.)	1973-77	CAN	7010763-7047257	N/A	12280	12342	89840	12290	12410	12810	12510
1150 (115 HP) (6-Cyl.)	1973-77	USA	4112635-4394236	N/A	12280	12356	89840	12290	12410	12810	12510
1150 (115 HP) (6-Cyl.)	1973-77	AUS	8027115-8027439	N/A	12280	12356	89840	12290	12410	12810	12510
1150 (115 HP) (6-Cyl.)	1973-77	CAN	7047258-7075522	N/A	12280	12356	89840	12290	12410	12810	12510
115 HP (6-Cyl.)	1973-88	USA	4394237 & Up	N/A	12280	12370	89840	12290	12410	12810	12510
115 HP (6-Cyl.)	1973-83	AUS	8027440 & Up	N/A	12280	12370	89840	12290	12410	12810	12510
115 HP (6-Cyl.)	1973-88	CAN	7075523 & Up	N/A	12280	12370	89840	12290	12410	12810	12510
115 HP (4-Cyl.) (6)	1989-98	USA	0C100000 & Up	12094	N/A	12342	89630	N/A	12416	N/A	12416
115 HP (4-Cyl.) (6)	1989-98	BEL	9559771 & Up	12094	N/A	12342	89630	N/A	12416	N/A	12416
115 HP (4-Cyl.) (5)	1989-98	USA	0C100000 & Up	12094	N/A	12342	89630	12043	12416	N/A	12500
115 HP (4-Cyl.) (5)	1989-98	BEL	9559771 & Up	12094	N/A	12342	89630	12043	12416	N/A	12500
115 (3-Cyl.) Optimax	-	USA	0T801000 & Up	12094	N/A	12342	89630	12043	12416	N/A	12500
1250 (125 HP) (6-Cyl.) (2)	1968-69		2314956-2839368	N/A	12280	12344	89840	12290	12410	-	12510
1250 (125 HP) (6-Cyl.) (4)	1968-69		2314956-2839368	N/A	12280	12343	89840	12290	12410	12810	12510
1250 BP (125 HP) (6-Cyl.)	1968-69		2400058-3253111	N/A	N.L.A.	N.L.A.	89840	N/A	N.L.A.	-	N.L.A.
125 HP (4-Cyl.) (6)	1994-98	USA	0D283222 & Up	12094	N/A	12342	89630	N/A	12416	N/A	12416
125 HP (4-Cyl.) (6)	1994-98	BEL	9793577 & Up	12094	N/A	12342	89630	N/A	12416	N/A	12416
125 HP (4-Cyl.) (5)	1994-98	USA	0D283222 & Up	12094	N/A	12342	89630	12043	12416	N/A	12500
125 HP (4-Cyl.) (5)	1994-98	BEL	9793577 & Up	12094	N/A	12342	89630	12043	12416	N/A	12500
1350 (6-Cyl.)	1970-71	USA	2839369-3293233	N/A	12280	12343	89840	12290	12410	12810	12510
1400 (140 HP) (6-Cyl.)	1972		3293234-3502805	N/A	12280	12343	89840	12290	12410	12810	12510
1400 (140 HP) (6-Cyl.)	1978-81	USA	4865678 & Up	N/A	12280	12370	89840	12290	12410	12810	12510
1400 (140 HP) (6-Cyl.)	1978-81	AUS	8052650 & Up	N/A	12280	12370	89840	12290	12410	12810	12510
1400 (140 HP) (6-Cyl.)	1978-81	CAN	7112773 & Up	N/A	12280	12370	89840	12290	12410	12810	12510
1500 (6-Cyl.)	1973-77	USA	3502806-4121434	N/A	12280	12343	89840	12290	12410	12810	12510
1500 (6-Cyl.)	1973-77	AUS	8005615-8028039	N/A	12280	12343	89840	12290	12410	12810	12510
1500 (6-Cyl.)	1973-77	CAN	7010533-7048782	N/A	12280	12343	89840	12290	12410	12810	12510
1500 (6-Cyl.) (9)	1973-77	USA	4121435-4865677	N/A	12280	12356	89840	12290	12410	12810	12510
1500 (6-Cyl.) (9)	1973-77	AUS	8028040-8052649	N/A	12280	12356	89840	12290	12410	12810	12510
1500 (6-Cyl.) (9)	1973-77	CAN	7048783-7112772	N/A	12280	12356	89840	12290	12410	12810	12510
1500 (6-Cyl.) (10)	1973-77	USA	4121435-4865677	N/A	12280	12370	89840	12290	12410	12810	12510
1500 (6-Cyl.) (10)	1973-77	AUS	8028040-8052649	N/A	12280	12370	89840	12290	12410	12810	12510
1500 (6-Cyl.) (10)	1973-77	CAN	7048783-7112772	N/A	12280	12370	89840	12290	12410	12810	12510
1500 XS (6-Cyl.)	1978	USA	4868648-5327662	N/A	12280	12356	89840	12290	12410	12810	12510
V-135 Carb.	1986-88	USA	0A904646 & Up	N/A	12280	12320	89840	12290	12410	12810	12510
V-135 DFI	1998	USA	0G590000 & Up	N/A	12280	12320	89840	12290	12410	12810	12510
140 Jet	1994-95	USA	0D082000 & Up	N/A	12280	12320	89840	12290	12410	12810	12510
140 Jet	1994-95	BEL	9682500 & Up	N/A	12280	12320	89840	12290	12410	12810	12510
V-150 Carb. (8)	1978-85	USA	4868998-0A904645	N/A	12280	12350	89840	12290	12410	12810	12510
V-150 Carb. (7)	1978-85	USA	4868998-0A904645	N/A	12280	12320	89840	12290	12410	12810	12510
V-150 Carb. EFI & DFI	1986-88	USA	0A904646 & Up	N/A	12280	12320	89840	12290	12410	12810	12510
V-150 XR2, 4, 6, Mag.II, III (8)	1978-88	USA	4868998 & Up	N/A	12280	12350	89840	12290	12410	12810	12510
V-150 XR2, 4, 6, Mag.II, III (7)	1978-88	USA	4868998 & Up	N/A	12280	12320	89840	12290	12410	12810	12510
V-1750, 175 (8)	1976-81	USA	4301235-6618750	N/A	12280	12350	89840	12290	12410	12810	12510
V-1750, 175 (8)	1980-81	AUS	8064250 & Up	N/A	12280	12350	89840	12290	12410	12810	12510
V-1750, 175 (7)	1976-81	USA	4301235-6618750	N/A	12280	12320	89840	12290	12410	12810	12510
V-1750, 175 (7)	1980-81	AUS	8064250 & Up	N/A	12280	12320	89840	12290	12410	12810	12510
V-175 Carb., EFI & DFI	1985-88	USA	6618751 & Up	N/A	12280	12320	89840	12290	12410	12810	12510
V-200 (8)	1978-84	USA	4839034-6625220	N/A	12280	12350	89840	12290	12410	12810	12510
V-200 (8)	1980-81	AUS	8061595-8065672	N/A	12280	12350	89840	12290	12410	12810	12510
V-200 (7)	1978-84	USA	4839034-6625220	N/A	12280	12320	89840	12290	12410	12810	12510
V-200 (7)	1980-81	AUS	8061595-8065672	N/A	12280	12320	89840	12290	12410	12810	12510
V-200 Carb. & EFI (2.5L)	1985-88	USA	6625221 & Up	N/A	12280	12320	89840	12290	12410	12810	12510
V-200 EFI (3.0L)	-	USA	0T750164 & Up	12096	N/A	12341	89630	12043	12415	N/A	12500
V-200 DFI (3.0L)	1997	USA	0G386496-0G589999	12096	N/A	12341	89630	12043	12415	N/A	12500
V-200 DFI (3.0L)	1998	USA	0G590000 & Up	12414	N/A	12341	89630	12043	12415	N/A	12500
V-220 Laser	1987-88	USA	0B117316 & Up	N/A	12280	12320	89840	12290	12410	12810	12510
V-225 (2.4L) (8)	1980-81	USA	5628028 & Up	N/A	12280	12350	89840	12290	12410	12810	12510
V-225 (2.4L) (7)	1980-81	USA	5628028 & Up	N/A	12280	12320	89840	12290	12410	12810	12510
V-225 (3.0L) Carb. & EFI	1994-98	USA	0D280813 & Up	-	N/A	12341	89630	12043	12415	N/A	12500
V-225 DFI	1998	USA	0G590000 & Up	12414	N/A	12341	89630	12043	12415	N/A	12500
V-250 (3.0L) EFI	1995-98	USA	0G129222 & Up	-	N/A	12341	89630	12043	12415	N/A	12500
MARK 5	-		574128-786612	N/A	N/A	N.L.A.	89600	N/A	N.L.A.	N.L.A.	N.L.A.
MARK 6, 6A	-		888005 & Up	N/A	N/A	N.L.A.	89600	N/A	N.L.A.	N.L.A.	N.L.A.
MARK 50	-		ALL	N/A	N/A	N.L.A.	89830	N/A	-	N.L.A.	-
MARK 55	-		831021 & Up	N/A	N/A	N.L.A.	89830	N/A	-	N.L.A.	-
MARK 55A	-		1227131 & Up	N/A	N/A	N.L.A.	89830	N/A	-	N.L.A.	-
MARK 58 (E)	-		1139538 & Up	N/A	N/A	N.L.A.	89830	N/A	-	N.L.A.	-



GLM Products, Inc.

GLM's Exclusive Marine Pistons

- Fully Machined Hypereutectic Pistons
- Featuring a Hard Anodizing Coating on Top
- Resisting Temperatures up to 1560°F
- Hardness: HV280-400
- Pistons are T-6 Heat Treated
- GLM Pistons are 100% Cast



	Casting	Forging
Pros	Low expansion rate Lighter weight Longer life, Lower costs	Greater Strength
Cons	Less strength but compensated by strong mold process	Heavier weight High expansion rate Shorter Life, Higher costs
Verdict	For Recreational & General use	High Performance Purposes

Piston Ring Coatings Comparison

Did you know sometimes as much as 30% of engine friction comes from the piston rings? Therefore, 2-ring pistons have less friction than 3-ring pistons.

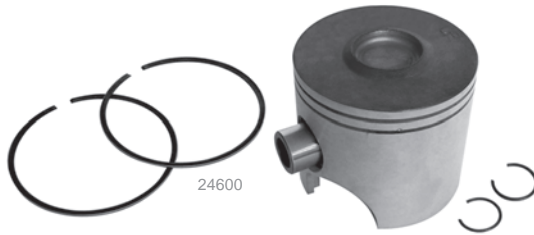
To minimize piston ring friction in the engine you should:

- Choose the right ring tension and coating
- If oversize, check that the bore size is correct
- Change the engine oil regularly

Ring Coating	Scuff Resistance	Wear Resistance
Plain	Poor	Low
Plasma Moly	Excellent	Good
Nitriding	Average	Excellent
Chrome	Average	Excellent

Warning: GLM Products, Inc. will not cover the warranty for non-authorized marine engine boring services.

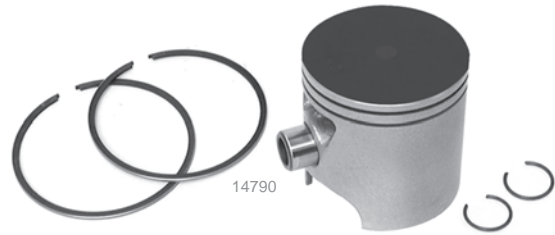
Pistons - Inline 3-Cyl. Optimax DFI 75, 90, 115 HP (ø92mm / 3.630")



Pistons come with rings, pin & retainer. Rings come 2 in a set.

Pistons		
24600	OEM: 700-879858T08	Size: ø 92mm (3.630")
24610	OEM: 700-896961A02	Size: ø 92mm + .015
24620	OEM: 700-896962A02	Size: ø 92mm + .030
Rings		
24670	OEM: 39-827179A12	Size: ø 92mm (3.630")
24680	OEM: 39-875252A12	Size: ø 92mm + .015
24690	OEM: 39-875257A12	Size: ø 92mm + .030

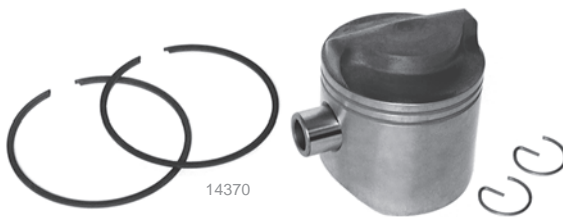
Pistons - 2 & 3-Cyl. Loopcharged 30-60 HP (1994-02) (ø2.993" / 76mm)



Pistons come with rings, pin & retainer. Rings come 2 in a set.

Pistons		
14790	OEM: 705-850026T3	Size: ø 2.993"
14800	OEM: 705-850026T2	Size: ø 2.993" + .015
Rings		
14171	OEM: 39-821695A4	Size: ø 2.993"
14181	OEM: 39-821695A6	Size: ø 2.993" + .015

Pistons - Inline 4-Cyl. Crossflow 30-50 HP (1970-02) (ø2.565")

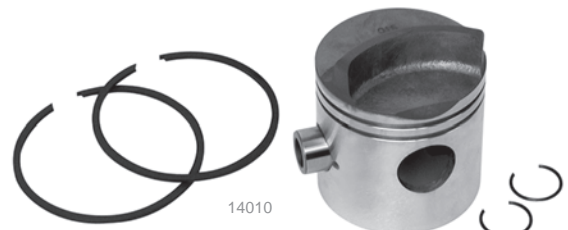


Pistons come with rings, pin & retainer. Rings come 2 in a set.

Pistons		
14370	OEM: 780-9229A7	Size: ø 2.565"
14380	OEM: 780-9229A10	Size: ø 2.565" + .015
14390	OEM: N/A	Size: ø 2.565" + .030
Rings		
14241	OEM: 39-18653A12	Size: ø 2.565"
14251	OEM: 39-18653A1	Size: ø 2.565" + .015
14261	OEM: N/A	Size: ø 2.565" + .030

Pistons - Inline 2, 3, 4 & 6-Cyl. Crossflow 35-150 HP (1970-90) (ø2.875") Low Dome


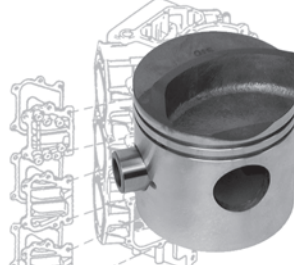
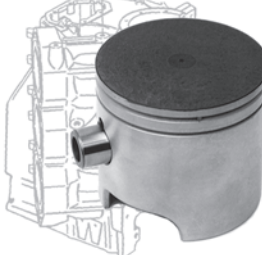

Low Dome Pistons can replace High Dome Pistons without affecting engines operation.



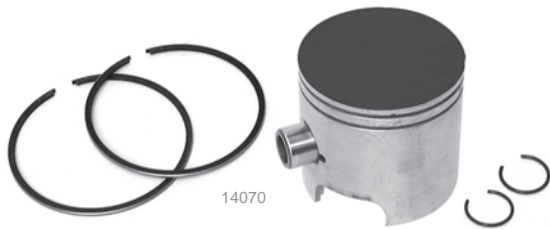
Pistons come with rings, pin & retainer. Rings come 2 in a set.

Pistons		
14010	OEM: 774-9137A9/12	Size: ø 2.875"
14030	OEM: 774-8137A10/13	Size: ø 2.875" + .015
14050	OEM: 774-9137A11/14	Size: ø 2.875" + .030
Rings		
14210	OEM: 39-817096A6	Size: ø 2.875"
14220	OEM: 39-817096A16	Size: ø 2.875" + .015
14230	OEM: 39-817096A26	Size: ø 2.875" + .030

The Four Basic Piston Designs used in Mercury / Mariner / Force engines are:

DFI	Crossflow	Loopcharged	Four-Stroke
<i>Piston with Dome Top and Splash Well</i>	<i>Piston with Deflector Top</i>	<i>Piston with Flat Top</i>	<i>Piston with Flat Top & Oil-ring in the Bottom Position</i>
			
Standard Ring Set	Removeable Transfer Port Cover	Non-Removeable Transfer Port Cover	3 Rings w/ Oil Control Ring in Bottom Position

**Pistons - 3-Cyl. Loopcharged
50-60 HP (1998-02) (ø2.955" / 75mm)**

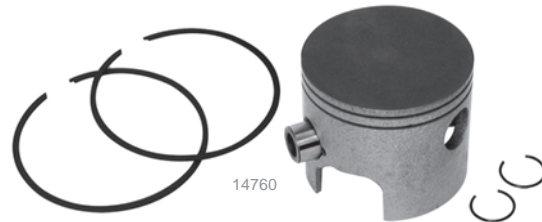


Pistons come with rings, pin & retainer. Rings come 2 in a set.

Pistons		
14070	OEM: 783-9613T1	Size: ø 2.955" (75mm)
14080	OEM: 783-9613T2	Size: ø 2.955" + .015
14090	OEM: 783-9613T3	Size: ø 2.955" + .030
Rings		
14911	OEM: 39-19721A6	Size: ø 2.955"
14921	OEM: 39-19721A1	Size: ø 2.955" + .015
14931	OEM: 39-19721A2	Size: ø 2.955" + .030

**Pistons - Inline 3 & 4-Cyl. Loopcharged
70-115 HP (1987-93) (ø3.375")**

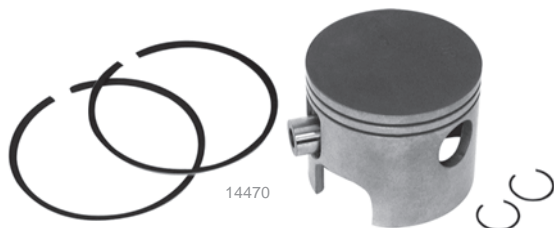
For use with Rod No. 638-8532-1



Pistons come with rings, pin & retainer. Rings come 2 in a set.

Pistons		
14760	OEM: 777-9009T13	Size: ø 3.375"
14770	OEM: 777-9009A6	Size: ø 3.375" + .015
14780	OEM: 777-9009A7	Size: ø 3.375" + .030
Rings		
14910	OEM: 39-96170A12	Size: ø 3.375"
14920	OEM: 39-96170A3	Size: ø 3.375" + .015
14930	OEM: 39-96170A4	Size: ø 3.375" + .030

**Pistons - Inline 3 & 4-Cyl. Loopcharged
65-115 HP (1994-00) (ø3.500")**

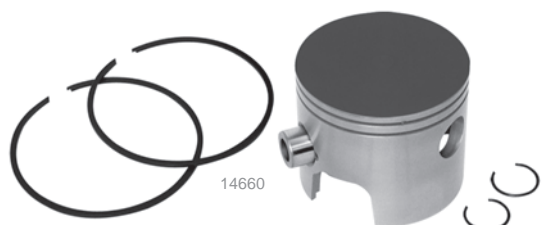


Pistons come with rings, pin & retainer. Rings come 2 in a set.

Pistons		
14470	OEM: 2704-826191T4	Size: ø 3.500"
14480	OEM: 2704-821896A3	Size: ø 3.500" + .015
14490	OEM: 2704-821896A4	Size: ø 3.500" + .030
Rings		
14940	OEM: 39-822321A12	Size: ø 3.500"
14950	OEM: 39-822321A1	Size: ø 3.500" + .015
14960	OEM: 39-822321A2	Size: ø 3.500" + .030

**Pistons - Inline 3 & 4-Cyl. Loopcharged
70-115 HP (1987-93) (ø3.375")**

For use with Rod No. 646-818846



Pistons come with rings, pin & retainer. Rings come 2 in a set.

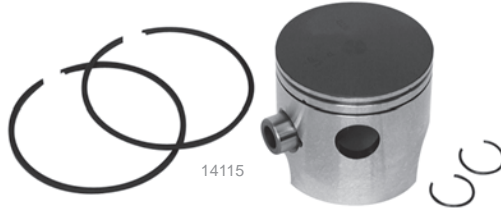
Pistons		
14660	OEM: 777-815965T4	Size: ø 3.375"
14670	OEM: 777-815965A5	Size: ø 3.375" + .015
14680	OEM: 777-815965A6	Size: ø 3.375" + .030
Rings		
14910	OEM: 39-96170A12	Size: ø 3.375"
14920	OEM: 39-96170A3	Size: ø 3.375" + .015
14930	OEM: 39-96170A4	Size: ø 3.375" + .030

TOC
Manifolds-Merc.
Manifolds-OMC
Manifolds-Volvo
Manifolds-Barr
MerCruiser
Merc / Mar / For
OMC / Volvo
Johnson / Evin
Yamaha
Index / X-Ref.
Warranty

GLM Products, Inc.

**Pistons - 60° V6 Loopcharged
V105-V150 HP (1979-00) (ø3.125")**

For use with Rod No. 644-818141



Pistons come with rings, pin & retainer. Rings come 2 in a set.

Pistons - Port Side

14115	OEM: 765-7442T32	Size: ø 3.125"
14135	OEM: 765-7444A11	Size: ø 3.125" + .015
14155	OEM: 765-7446A11	Size: ø 3.125" + .030

Pistons - Starboard Side

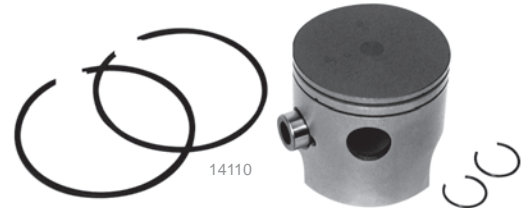
14125	OEM: 765-7441T32	Size: ø 3.125"
14145	OEM: 765-7443A11	Size: ø 3.125" + .015
14165	OEM: 765-7445T11	Size: ø 3.125" + .030

Rings

14240	OEM: 39-93481A12	Size: ø 3.125"
14250	OEM: 39-78918A4	Size: ø 3.125" + .015
14260	OEM: 39-85636A4	Size: ø 3.125" + .030

**Pistons - 60° V6 Loopcharged
V135-V175 HP (1976-00) (ø3.125")**

For use with Rod No. 636-8118



Pistons come with rings, pin & retainer. Rings come 2 in a set.

Pistons - Port Side

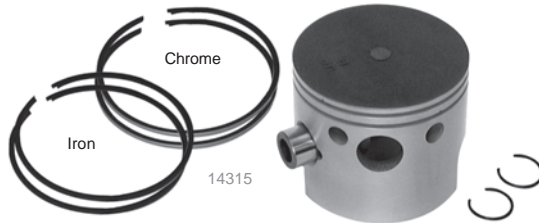
14110	OEM: 765-7442T36	Size: ø 3.125"
14130	OEM: 765-7444A12	Size: ø 3.125" + .015
14150	OEM: 765-7446T12	Size: ø 3.125" + .030

Pistons - Starboard Side

14120	OEM: 765-7441T36	Size: ø 3.125"
14140	OEM: 765-7443A12	Size: ø 3.125" + .015
14160	OEM: 765-7445A12	Size: ø 3.125" + .030

Rings

14240	OEM: 39-93481A12	Size: ø 3.125"
14250	OEM: 39-78918A4	Size: ø 3.125" + .015
14260	OEM: 39-85636A4	Size: ø 3.125" + .030

**Pistons - 60° V6 Loopcharged XR4, MAG II,
V175-V225 HP (1978-90) (ø3.375")**

Pistons come with rings, pin & retainer. Rings come 2 in a set.

Pistons - Port Side (w/ iron or chrome rings)

14315	OEM: 766-8667T41	Size: ø 3.375"	Iron
14335	OEM: N/A	Size: ø 3.375" + .015	Iron
14355	OEM: N/A	Size: ø 3.375" + .030	Iron
14310	OEM: 766-8667T42	Size: ø 3.375"	Chrome*
14330	OEM: 766-8667A43	Size: ø 3.375" + .015	Chrome*
14350	OEM: N/A	Size: ø 3.375" + .030	Chrome*

Pistons - Starboard Side (w/ iron or chrome rings)

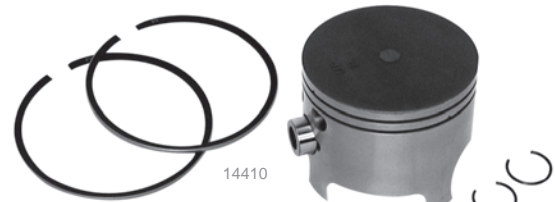
14325	OEM: 766-8666T41	Size: ø 3.375"	Iron
14345	OEM: N/A	Size: ø 3.375" + .015	Iron
14365	OEM: N/A	Size: ø 3.375" + .030	Iron
14320	OEM: 766-8666T42	Size: ø 3.375"	Chrome*
14340	OEM: 766-8666A43	Size: ø 3.375" + .015	Chrome*
14360	OEM: N/A	Size: ø 3.375" + .030	Chrome*

Rings (Iron & Chrome)

14275	OEM: 39-813011A12	Size: ø 3.375"	Iron
14285	OEM: N/A	Size: ø 3.375" + .015	Iron
14295	OEM: N/A	Size: ø 3.375" + .030	Iron
14270	OEM: 39-18487A12	Size: ø 3.375"	Chrome*
14280	OEM: 39-815267A4	Size: ø 3.375" + .015	Chrome*
14290	OEM: N/A	Size: ø 3.375" + .030	Chrome*

**Pistons - 60° V6 Loopcharged XR2, XR6,
MAG III, V140-V200 HP (1991-00) (ø3.50")**

For use with Rod No. 644-818141



Pistons come with 2.0mm rings, pin & retainer. Rings come 2 in a set.

Pistons - Port Side (for use w/ 2.0mm or 1.5mm rings)

14410	OEM: 785-9737T9	Size: ø 3.500"
14430	OEM: 785-9737A10	Size: ø 3.500" + .015
14450	OEM: N/A	Size: ø 3.500" + .030

Pistons - Starboard Side (for use w/ 2.0mm or 1.5mm rings)

14420	OEM: 785-9738T9	Size: ø 3.500"
14440	OEM: 785-9738T10	Size: ø 3.500" + .015
14460	OEM: N/A	Size: ø 3.500" + .030

Rings (2.0mm & 1.5mm Thickness)

14940	OEM: 39-822321A12	Size: ø 3.500"	2.0mm
14950	OEM: 39-822321A1	Size: ø 3.500" + .015	2.0mm
14960	OEM: 39-822321A2	Size: ø 3.500" + .030	2.0mm
14970	OEM: 39-815515A12	Size: ø 3.500"	1.5mm
14980	OEM: 39-815268A4	Size: ø 3.500" + .015	1.5mm
14990	OEM: N/A	Size: ø 3.500" + .030	1.5mm

*XR4, MAG II (0B242885-0D081999) & V-175 (0C239553-0D081999) use Chrome Rings. All others use Iron Rings.

GLM Products, Inc.

INLINE 2, 3, 4 & 6-CYL. PISTON KITS & RINGS APPLICATION

Model	Origin	Serial No. Range	Pistons w/ Rings & Wrist Pin			Ring Sets		
			STD Piston	.015 Piston	.030 Piston	STD Rings	.015 Rings	.030 Rings
30 (300)	-	1271884-1448139	N.L.A.	N.L.A.	N/A	N.L.A.	N.L.A.	N/A
30 (2-Cyl.) (644cc)	USA	0G053314 & Up	14790	14800	N/A	14171	14181	N/A
30 (2-Cyl.) (430cc)	USA	0G575500 & Up	-	-	N/A	-	-	N/A
30 Jet (4-Cyl.) w/ Square Rings	USA	0C159200-0G589999	14370	14380	14390	14241	14251	14261
30 Jet (4-Cyl.) w/ Keystone Rings	USA	0C159200-0G589999	14370	14380	14390	14241	14251	14261
30 Jet (3-Cyl.)	USA	0G590000 & Up	14790	14800	N/A	14171	14181	N/A
35 (350, 35A)	-	1217222-1960826	-	N.L.A.	N/A	-	N.L.A.	N/A
35 (350)	-	1960827-2874703	N.L.A.	N.L.A.	N/A	N.L.A.	N.L.A.	N/A
35 (2-Cyl.)	USA	6445653 & Up	14010	14030	14050	14210	14220	14230
35 (2-Cyl.)	BEL	9384476 & Up	14010	14030	14050	14210	14220	14230
35 (2-Cyl.)	CAN	7209608 & Up	14010	14030	14050	14210	14220	14230
40 (400) (2-Cyl.)	-	1279685-1476509	N.L.A.	N.L.A.	N/A	N.L.A.	N.L.A.	N/A
40 (40, 402) (2-Cyl.)	USA	3336258-55556229	14010	14030	14050	14210	14220	14230
40 (40, 402) (2-Cyl.)	AUS	8002335-8064749	14010	14030	14050	14210	14220	14230
40 (40, 402) (2-Cyl.)	BEL	3339688-9251455	14010	14030	14050	14210	14220	14230
40 (40, 402) (2-Cyl.)	CAN	3340783-7144762	14010	14030	14050	14210	14220	14230
40 (2-Cyl.)	USA	5556230-0G053313	14010	14030	14050	14210	14220	14230
40 (2-Cyl.)	AUS	8064750 & Up	14010	14030	14050	14210	14220	14230
40 (2-Cyl.)	BEL	9251456 & Up	14010	14030	14050	14210	14220	14230
40 (2-Cyl.)	CAN	7144763 & Up	14010	14030	14050	14210	14220	14230
40 (2-Cyl.) (644cc)	USA	0G053314 & Up	14790	14800	N/A	14171	14181	N/A
40 (3-Cyl.)	USA	0G531301 & Up	14790	14800	N/A	14171	14181	N/A
40 (3-Cyl.)	BEL	9973100 & Up	14790	14800	N/A	14171	14181	N/A
40 (4-Cyl.) w/ Keystone Rings	USA	0C159200 & Up	14370	14380	14390	14241	14251	14261
40 (4-Cyl.) w/ Keystone Rings	BEL	9570790 & Up	14370	14380	14390	14241	14251	14261
45 (450)	-	1476510-1531568	N.L.A.	N.L.A.	N/A	-	-	N/A
45 (4-Cyl.) w/ Keystone Rings	USA	5531630 & Up	14370	14380	14390	14241	14251	14261
45 (4-Cyl.) w/ Keystone Rings	AUS	8063985 & Up	14370	14380	14390	14241	14251	14261
45 (4-Cyl.) w/ Keystone Rings	BEL	9248006 & Up	14370	14380	14390	14241	14251	14261
45 (4-Cyl.) w/ Keystone Rings	CAN	7143688 & Up	14370	14380	14390	14241	14251	14261
50 (500)	USA	1476510-2305100	N.L.A.	N.L.A.	N/A	-	-	N/A
50 (500)	CAN	1755549-2305100	N.L.A.	N.L.A.	N/A	-	-	N/A
50 (50, 500) (4-Cyl.) w/ Keystone Rings	USA	2305151 & Up	14370	14380	14390	14241	14251	14261
50 (50, 500) (4-Cyl.) w/ Keystone Rings	AUS	2863739 & Up	14370	14380	14390	14241	14251	14261
50 (50, 500) (4-Cyl.) w/ Keystone Rings	BEL	9001581 & Up	14370	14380	14390	14241	14251	14261
50 (50, 500) (4-Cyl.) w/ Keystone Rings	CAN	2742142 & Up	14370	14380	14390	14241	14251	14261
50 (3-Cyl.)	USA	6428681-0D000749	14010	14030	14050	14210	14220	14230
50 (3-Cyl.)	BEL	9385111-9683054	14010	14030	14050	14210	14220	14230
50 (3-Cyl.)	CAN	7208333 & Up	14010	14030	14050	14210	14220	14230
50 (3-Cyl.)	USA	0D000750-0G589999	14070	14080	14090	14911	14921	14931
50 (3-Cyl.)	BEL	9683055-9973099	14070	14080	14090	14911	14921	14931
50 (3-Cyl.)	USA	0G590000 & Up	14790	14800	N/A	14171	14181	N/A
50 (3-Cyl.)	BEL	9973100 & Up	14790	14800	N/A	14171	14181	N/A
55 (3-Cyl.)	USA	0D000750-0G589999	14070	14080	14090	14911	14921	14931
55 (3-Cyl.)	BEL	9683055-9973099	14070	14080	14090	14911	14921	14931
55 (3-Cyl.)	USA	0G590000 & Up	14790	14800	N/A	14171	14181	N/A
55 (3-Cyl.)	BEL	9973100 & Up	14790	14800	N/A	14171	14181	N/A
60 (600)	USA	1303411-1542744	N.L.A.	N.L.A.	N/A	-	-	N/A
60 (3-Cyl.)	USA	6428681-0D000749	14010	14030	14050	14210	14220	14230
60 (3-Cyl.)	BEL	9385911-9683054	14010	14030	14050	14210	14220	14230
60 (3-Cyl.)	CAN	720833 & Up	14010	14030	14050	14210	14220	14230
60 (3-Cyl.)	USA	0D000750-0G589999	14070	14080	14090	14911	14921	14931
60 (3-Cyl.)	BEL	9683055-9973099	14070	14080	14090	14911	14921	14931
60 (3-Cyl.)	USA	0G590000 & Up	14790	14800	N/A	14171	14181	N/A
60 (3-Cyl.)	BEL	9973100 & Up	14790	14800	N/A	14171	14181	N/A
65 (650) (4-Cyl.)	-	1542745-2119748	-	N.L.A.	N/A	-	N.L.A.	N/A
65 (650) (4-Cyl.)	-	2119749-3293183	-	N.L.A.	N/A	-	N.L.A.	N/A
65 (650) (3-Cyl.)	USA	3293184-4571651	14010	14030	14050	14210	14220	14230
65 (650) (3-Cyl.)	AUS	8006640-8042349	14010	14030	14050	14210	14220	14230
65 (650) (3-Cyl.)	BEL	9020074-9135824	14010	14030	14050	14210	14220	14230
65 (650) (3-Cyl.)	CAN	7013633-7087822	14010	14030	14050	14210	14220	14230
65 Jet	USA	0D283222 & Up	14470	14480	14490	14940	14950	14960
70 (700) (6-Cyl.)	-	1296411-1566239	N.L.A.	N.L.A.	N/A	-	-	N/A
70 (3-Cyl.)	USA	4571652-6428680	14010	14020	14030	14210	14220	14230
70 (3-Cyl.)	AUS	8042350 & Up	14010	14020	14030	14210	14220	14230
70 (3-Cyl.)	BEL	9135825-9385910	14010	14020	14030	14210	14220	14230
70 (3-Cyl.)	CAN	7087823-7208332	14010	14020	14030	14210	14220	14230
70 (3-Cyl.) w/ Rod No. 638-8532-1	USA	0A996142 & Up	14760	14770	14780	14910	14920	14930



GLM Products, Inc.

INLINE 2, 3, 4 & 6-CYL. PISTON KITS & RINGS APPLICATION

Model	Origin	Serial No. Range	Pistons w/ Rings & Wrist Pin			Ring Sets		
			STD Piston	.015 Piston	.030 Piston	STD Rings	.015 Rings	.030 Rings
70 (3-Cyl.) w/ Rod No. 638-8532-1	BEL	9483121 & Up	14760	14770	14780	14910	14920	14930
70 (3-Cyl.) w/ Rod No. 646-8188461	USA	0A996142 & Up	14660	14670	14680	14910	14920	14930
70 (3-Cyl.) w/ Rod No. 646-8188461	BEL	9483121 & Up	14660	14670	14680	14910	14920	14930
75 (4-Cyl.)	USA	6432901 & Up	14010	14030	14050	14210	14220	14230
75 (4-Cyl.)	BEL	9393856 & Up	14010	14030	14050	14210	14220	14230
75 (4-Cyl.)	CAN	7208573 & Up	14010	14030	14050	14210	14220	14230
75 (3-Cyl.) w/ Rod No. 638-8532-1	USA	0C222000-0D283221	14760	14770	14780	14910	14920	14930
75 (3-Cyl.) w/ Rod No. 638-8532-1	BEL	9589039-9793576	14760	14770	14780	14910	14920	14930
75 (3-Cyl.) w/ Rod No. 646-818846	USA	0C222000-0D283221	14660	14670	14680	14910	14920	14930
75 (3-Cyl.) w/ Rod No. 646-818846	BEL	9589039-9793576	14660	14670	14680	14910	14920	14930
75 (3-Cyl.)	USA	0D283222 & Up	14470	14480	14490	14940	14950	14960
75 (3-Cyl.)	BEL	9793577 & Up	14470	14480	14490	14940	14950	14960
80 (80, 800) (4-Cyl.)	USA	4831999-6432900	14010	14020	14030	14210	14220	14230
80 (80, 800) (4-Cyl.)	AUS	8050200 & Up	14010	14020	14030	14210	14220	14230
80 (80, 800) (4-Cyl.)	BEL	9177626-9393855	14010	14020	14030	14210	14220	14230
80 (80, 800) (4-Cyl.)	CAN	7110998-7208572	14010	14020	14030	14210	14220	14230
80 Jet	USA	0D283222 & Up	14470	14480	14490	14940	14950	14960
85 (850) (6-Cyl.)	-	1460999-1464848	N.L.A.	N.L.A.	N/A	N.L.A.	N.L.A.	N/A
85 (850) (6-Cyl.)	-	1566240-1766823	-	N.L.A.	N/A	-	N.L.A.	N/A
85 (850) (4-Cyl.)	USA	3493913-4831998	14010	14020	14030	14210	14220	14230
85 (850) (4-Cyl.)	AUS	8005440-8050199	14010	14020	14030	14210	14220	14230
85 (850) (4-Cyl.)	BEL	9011604-9177625	14010	14020	14030	14210	14220	14230
85 (850) (4-Cyl.)	CAN	7010108-7110997	14010	14020	14030	14210	14220	14230
90 (900) (6-Cyl.)	-	1766824-1869775	-	N.L.A.	N/A	-	N.L.A.	N/A
90 (90, 900) (6-Cyl.)	USA	4845301 & Up	14010	14020	14030	14210	14220	14230
90 (90, 900) (6-Cyl.)	AUS	8071020 & Up	14010	14020	14030	14210	14220	14230
90 (90, 900) (6-Cyl.)	CAN	7111698 & Up	14010	14020	14030	14210	14220	14230
90 (3-Cyl.) w/ Rod No. 638-8532-1	USA	0A996142-0D283221	14760	14770	14780	14910	14920	14930
90 (3-Cyl.) w/ Rod No. 638-8532-1	BEL	9483121-9793576	14760	14770	14780	14910	14920	14930
90 (3-Cyl.) w/ Rod No. 646-818846	USA	0A996142-0D283221	14660	14670	14680	14910	14920	14930
90 (3-Cyl.) w/ Rod No. 646-818846	BEL	9483121-9793576	14660	14670	14680	14910	14920	14930
90 (3-Cyl.)	USA	0D283222 & Up	14470	14480	14490	14940	14950	14960
90 (3-Cyl.)	BEL	9793577 & Up	14470	14480	14490	14940	14950	14960
95 (950) (6-Cyl.)	-	1869776-2318585	-	N.L.A.	N/A	-	N.L.A.	N/A
95 (950-E) (6-Cyl.)	-	1869776-2318585	-	N.L.A.	N/A	-	-	N/A
95 (950-E-SS) (6-Cyl.)	-	1869776-2318585	N.L.A.	N.L.A.	N/A	-	-	N/A
100 (1000) (6-Cyl.)	-	1464949-2318585	-	N.L.A.	N/A	-	N.L.A.	N/A
100 (1000 SS)	-	2318586-2836018	N.L.A.	N.L.A.	N/A	-	-	N/A
100 (1000 BP)	-	2399698-3253111	N.L.A.	N.L.A.	N/A	N.L.A.	N.L.A.	N/A
100 (4-Cyl.) w/ Rod No. 638-8532-1	USA	0B209468-0D283221	14760	14770	14780	14910	14920	14930
100 (4-Cyl.) w/ Rod No. 638-8532-1	BEL	9523034-9793576	14760	14770	14780	14910	14920	14930
100 (4-Cyl.) w/ Rod No. 646-818846	USA	0B209468-0D283221	14660	14670	14680	14910	14920	14930
100 (4-Cyl.) w/ Rod No. 646-818846	BEL	9523034-9793576	14660	14670	14680	14910	14920	14930
100 (4-Cyl.)	USA	0D283222 & Up	14470	14480	14490	14940	14950	14960
100 (4-Cyl.)	BEL	9793577 & Up	14470	14480	14490	14940	14950	14960
115 (1150) (6-Cyl.)	-	2839019-3524440	14010	14030	14050	14210	14220	14230
115 (115, 1150) (6-Cyl.)	USA	3525441-5829463	14010	14030	14050	14210	14220	14230
115 (115, 1150) (6-Cyl.)	AUS	8008665-8071134	14010	14030	14050	14210	14220	14230
115 (115, 1150) (6-Cyl.)	CAN	7010763-7171252	14010	14030	14050	14210	14220	14230
115 (6-Cyl.)	USA	5829464 & Up	14010	14030	14050	14210	14220	14230
115 (6-Cyl.)	AUS	8071135 & Up	14010	14030	14050	14210	14220	14230
115 (6-Cyl.)	CAN	7171253 & Up	14010	14030	14050	14210	14220	14230
115 (4-Cyl.) w/ Rod No. 638-8532-1	USA	0C100000-0D283221	14760	14770	14780	14910	14920	14930
115 (4-Cyl.) w/ Rod No. 638-8532-1	BEL	9559771-9793576	14760	14770	14780	14910	14920	14930
115 (4-Cyl.) w/ Rod No. 646-818846	USA	0C100000-0D283221	14660	14670	14680	14910	14920	14930
115 (4-Cyl.) w/ Rod No. 646-818846	BEL	9559771-9793576	14660	14670	14680	14910	14920	14930
115 (4-Cyl.)	USA	0D283222 & Up	14470	14480	14490	14940	14950	14960
115 (4-Cyl.)	BEL	9793577 & Up	14470	14480	14490	14940	14950	14960
125 (1250) (6-Cyl.)	-	2314956-2641954	-	N.L.A.	N/A	-	-	N/A
125 (1250) (6-Cyl.)	-	2641955-3253111	14010	14030	14050	14210	14220	14230
135 (1350) (6-Cyl.)	-	2839369-3293233	14010	14030	14050	14210	14220	14230
140 (1400) (6-Cyl.)	-	3293234-350805	14010	14030	14050	14210	14220	14230
140 (140, 1400) (6-Cyl.)	USA	4865678 & Up	14010	14030	14050	14210	14220	14230
140 (140, 1400) (6-Cyl.)	AUS	8052650 & Up	14010	14030	14050	14210	14220	14230
140 (14000) (6-Cyl.)	CAN	7112773 & Up	14010	14030	14050	14210	14220	14230
150 (1500) (6-Cyl.)	USA	3502806-5327662	14010	14030	14050	14210	14220	14230
150 (1500) (6-Cyl.)	AUS	8005615-8052649	14010	14030	14050	14210	14220	14230
150 (1500) (6-Cyl.)	CAN	7010533-7112772	14010	14030	14050	14210	14220	14230

GLM Products, Inc.

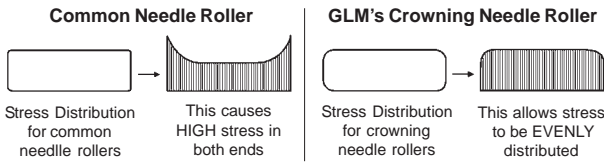
GLM's Needle & Caged Bearings

They look the same but are NOT the same!

Our needle rollers are mainly supplied by needle roller specialist or OEM manufacturers. The rollers are made of Bearing Steel (SAG 52100) and have been subjected to heat treatment and precision grinding. The hardness is HV700-860 (HRC 60-66). Both ends of our rollers used in marine engines are shaped with a special profile, known as "crowning".

What is Crowning?

Crowning is also known as "controlled contour", or coded as "ZB2". The crowning is to shape both ends, in a .040"-.080" area, to have a parabolic curvature (as the figure below, however it is difficult to see this curvature with the naked eye). The purpose of crowning is to avoid high stress concentration at the end areas of rollers and to ensure even contact stress between rollers and the race. Because the crowning lessens the rollers' maximum stress, it can increase bearing life significantly.



How About the Cages?

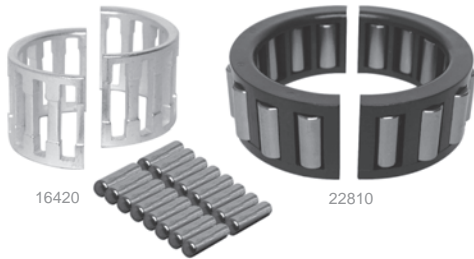
GLM's Cages use High Quality Swiss Made Automatic Carbonitriding Furnace Heat Treatment



Because the cage is constantly subject to friction between rollers and the race, the hardness of each corresponding contact area must be assigned appropriately to achieve optimal bearing life. As a general rule, the roller and surface of the inner and outer races should have higher hardness, HV 700-860 (HRC 60-66), to ensure wear resistance. The hardness of the cage should be slightly less than the rollers. Also, the cage material should be tough enough to avoid cage fracture during high-load, high speed operation.

To ensure the high-quality heat treatment of the cages, GLM cages use Swiss made, automatic carbonitriding furnace. The strict quality inspection also applied to every production lot to make sure the surface hardness, case depth, and toughness are consistent with the top quality standards.

PowerHead Bearings



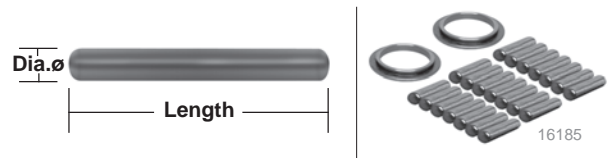
Connecting Rod Bearings - Big End

16200	OEM: 31-17514A1	Journal ø: 1.1825" (30mm)
	31-17514A2	Cage: Metal Needle Qty: 16
16210	OEM: 31-62596A1	Journal ø: 1.125"
		Cage: Metal Needle Qty: 16
16410	OEM: 31-879877A1	Journal ø: 0.875"
		Cage: Metal Needle Qty: 16
16420	OEM: 31-43012A1	Journal ø: 1.4063"
		Cage: Metal Needle Qty: 16

Center Bearings

22800	OEM: 31-67445	Journal ø: 1.375"
		Cage: Metal Needle Qty: 16
22810	OEM: 31-88269T	Journal ø: 2.1875"
		Cage: Plastic Needle Qty: 16

Needle Bearing Identification & Kit



All Needle Bearings sold per pack. Each pack contains 200 pcs.

16100	OEM: 29-20046T	Dia. ø: 3.22mm	Length: 12.80mm
16140	OEM: 29-20063	Dia. ø: 3/32"	Length: .4375"
16110	OEM: 29-26815	Dia. ø: 2.35mm	Length: 12.60mm
16160	OEM: 29-39656	Dia. ø: 3/32"	Length: 1/2"
16120	OEM: 29-47270	Dia. ø: 3/32"	Length: 41/64"
16130	OEM: 29-47897	Dia. ø: 7/64"	Length: 19/32"
16170	OEM: 29-67483	Dia. ø: 3/32"	Length: 51/64"
16150	OEM: 29-71422-1	Dia. ø: 5/32"	Length: 39/64"
16250	OEM: 29-818391	Dia. ø: 3/32"	Length: 59/64"
16260	OEM: 29-822553	Dia. ø: 3/32"	Length: 45/64"
16190	OEM: 29-98295	Dia. ø: 3/32"	Length: 33/64"

Needle Bearing Kit

16185	OEM: N/A (w/ washers)	Dia. ø: 3/32"	Length: 1-1/32"
--------------	-----------------------	----------------------	------------------------

Crankshaft Bearings, Oil Seals & O-rings



Crankshaft Bearings

21840	OEM: 30-63326T	21624	OEM: 30-88268T
21860	OEM: 30-63742T	21626	OEM: 30-64424T
21622	OEM: 30-43011T	21627	OEM: 30-62567T
21623	OEM: 30-67923T		

Crankshaft Oil Seals

85040	OEM: 26-16977	85460	OEM: 26-56397
85015	OEM: 26-66301	85022	OEM: 26-864319
85010	OEM: 26-41953	85012	OEM: 26-815449
85090	OEM: 26-43993	85013	OEM: 26-830898
85014	OEM: 26-54815		

Crankshaft O-rings

82340	OEM: 25-20081	80410	OEM: 25-67206
82280	OEM: 25-20826	80430	OEM: 25-67207
82310	OEM: 25-20863	80330	OEM: 25-823683
82360	OEM: 25-31305	41370	OEM: 25-858225
80420	OEM: 25-32546		Square Ring
81430	OEM: 25-54029	81540	OEM: 25-88955
80350	OEM: 25-62457	81500	OEM: 25-89224
81520	OEM: 25-62700	81390	OEM: 25-90011
81530	OEM: 25-89497	82390	OEM: 25-47254
80440	OEM: 25-64966		

POWERHEAD BEARINGS APPLICATION

Model	Year	Origin	Serial No. Range	Center Bearing	Conn. Rod Bearing Small End	Conn. Rod Bearing Big End
3.5	1983-85	USA	6202173 and Up	N/A	N.L.A.	16110
3.6	1980-82	USA	5404657 and Up	N/A	N.L.A.	16110
3.6	1980-82	BEL	9252831 and Up	N/A	N.L.A.	16110
3.6	1980-82	CAN	7145388 and Up	N/A	N.L.A.	16110
3.9 (39) (1-Cyl.)	1964-68	-	16655013-2498135	N/A	N.L.A.	16110
4 (40) (1-Cyl.)	1969-74	USA	2498136-4107219	N/A	N.L.A.	16110
4 (40) (1-Cyl.)	1972-74	AUS	3306257-8026439	N/A	N.L.A.	16110
4 (40) (1-Cyl.)	1972-74	BEL	9000306-9072178	N/A	N.L.A.	16110
4 (40) (1-Cyl.)	1972-74	CAN	3305152-7045757	N/A	N.L.A.	16110
4 (1-Cyl.)	1982-86	USA	5595532 and Up	N/A	N.L.A.	16110
4 (1-Cyl.)	1982-86	AUS	8068065 and Up	-	-	-
4 (1-Cyl.)	1982-86	BEL	9258281 and Up	N/A	N.L.A.	16110
4 (1-Cyl.)	1982-86	CAN	7147238 and Up	N/A	N.L.A.	16110
4 (1-Cyl.)	1987-88	USA	0A809601 and Up	N/A	-	-
4 (1-Cyl.)	1987-88	BEL	9477830 and Up	N/A	-	-
4 (40) (2-Cyl.) (Gnat)	1976-79	BEL	9075839-9256980	-	N.L.A.	-
4 (40) (2-Cyl.) (Gnat)	1976-79	CAN	7085673-7146487	-	N.L.A.	-
4 (40) (2-Cyl.)	1980-81	USA	5589202 and Up	-	N.L.A.	-
4 (40) (2-Cyl.)	1980-81	AUS	8065265 and Up	-	N.L.A.	-
4 (40) (2-Cyl.)	1980-81	BEL	9256981 and Up	-	N.L.A.	-
4 (40) (2-Cyl.)	1980-81	CAN	7146488 and Up	-	N.L.A.	-
4.5 (1-Cyl.)	1975-79	USA	4107220 and Up	N/A	N.L.A.	16110
4.5 (1-Cyl.)	1975-79	AUS	8026540 and Up	N/A	N.L.A.	16110
4.5 (1-Cyl.)	1975-79	BEL	9072179 and Up	N/A	N.L.A.	16110
4.5 (1-Cyl.)	1975-79	CAN	7045758 and Up	N/A	N.L.A.	16110
4.5 (1-Cyl.)	1980-85	USA	5595532 and Up	N/A	N.L.A.	16110
4.5 (1-Cyl.)	1980-85	AUS	8068065 and Up	N/A	N.L.A.	16110
4.5 (1-Cyl.)	1980-85	BEL	9258281 and Up	N/A	N.L.A.	16110
4.5 (1-Cyl.)	1980-85	CAN	7147238 and Up	N/A	N.L.A.	16110
5 (1-Cyl.)	1987-89	USA	0A809601 and Up	N/A	-	-
5 (1-Cyl.)	1987-89	BEL	9477830 and Up	N/A	-	-
6 (60)	1966-68	-	1916139-2529894	N/A	-	-
6	1986-93	USA	0A197112 and Up	-	-	-
6	1986-93	BEL	9461526 and Up	-	-	-
7.5 (75)	1969-78	USA	2529895-5226934	N/A	N.L.A.	16110
7.5 (75)	1974-77	AUS	8015315-8058019	N/A	N.L.A.	16110
7.5 (75)	1974-77	BEL	9043194-9219255	N/A	N.L.A.	16110
7.5 (75)	1974-77	CAN	7028598-7136037	N/A	N.L.A.	16110
7.5	1979-86	USA	5206550 and Up	N/A	N.L.A.	16110
7.5	1979-86	AUS	8057545 and Up	N/A	N.L.A.	16110
7.5	1979-86	BEL	9217756 and Up	N/A	N.L.A.	16110
7.5	1979-86	CAN	7125388 and Up	N/A	N.L.A.	16110
8	1986-93	USA	0A197112 and Up	-	-	-
8	1986-93	BEL	9461526 and Up	-	-	-
9.8	1979-85	USA	5206550 and Up	N/A	N.L.A.	16110
9.8	1979-85	AUS	8057545 and Up	N/A	N.L.A.	16110
9.8	1979-85	BEL	9217756 and Up	N/A	N.L.A.	16110
9.8	1979-85	CAN	7127388 and Up	N/A	N.L.A.	16110
9.8 (110)	1963-77	USA	1470349-5206549	N/A	N.L.A.	16110
9.8 (110)	1974-77	AUS	8015040-8057544	N/A	N.L.A.	16110
9.8 (110)	1974-77	BEL	9041439-9217755	N/A	N.L.A.	16110
9.8 (110)	1974-77	CAN	7027323-7125387	N/A	N.L.A.	16110
9.9	1986-93	USA	0A197112-0G112449	-	-	-
9.9	1986-93	BEL	9461526-9831799	-	-	-
9.9	1994-98	USA	0G112450 and Up	-	-	-
9.9	1994-98	BEL	9831800 and Up	-	-	-
10 (100)	1960-62	-	1290910 and Up	N.L.A.	16140	16100
10 (Marathon XR10, Sea Pro)	1990-93	USA	0D038000 and Up	-	-	-
10 (Marathon XR10, Sea Pro)	1990-93	BEL	9596000 and Up	-	-	-
15 (150)	1960-62	-	1290910-1499331	N.L.A.	16140	16100
15	1988-93	USA	0B292414 and Up	-	-	-
15	1988-93	BEL	9542620 and Up	-	-	-
15 (Export Sea Pro)	1994-96	USA	0G044365-0G202749	-	16190	16410
15 (Export Sea Pro)	1994-96	USA	0G202750 and Up	-	16190	16410
15 (Sea Pro)	1997-98	USA	0G438000 and Up	-	-	-
15 (Sea Pro)	1997-98	BEL	9927000 and Up	-	-	-
15 (Marathon Sea Pro)	1997-98	BEL	9927000 and Up	-	16190	16410
15 (Super)	1994-98	USA	0B238464-0G202749	-	16190	16410
15 (Super)	1994-98	BEL	9507381-9855586	-	16190	16410
15 (Super)	1994-98	USA	0G202750 and Up	-	16190	16410
15 (Super)	1994-98	BEL	9855587 and Up	-	16190	16410
18	1980-83	USA	5837437-6239752	-	16140	16410

GLM Products, Inc.

POWERHEAD BEARINGS APPLICATION

Model	Year	Origin	Serial No. Range	Center Bearing	Conn. Rod Bearing Small End	Conn. Rod Bearing Big End
18	1980-83	BEL	9308306-9378115	-	16140	16410
18	1980-83	CAN	7173723-7200762	-	16140	16410
18	1980-83	USA	6239753-6416711	-	16190	16410
18	1980-83	BEL	7200763-7207856	-	16190	16410
18	1983 1/2	USA	6416712-6443972	-	16190	16410
18	1983 1/3	BEL	9378115-9415100	-	16190	16410
18	1983 1/2	CAN	7207857-7209532	-	16190	16410
18 (18XD)	1984-85	USA	6443973-0B114230	-	16190	16410
18 (18XD)	1984-85	BEL	9378151-9467987	-	16190	16410
18 (18XD)	1984-85	CAN	7209533-0A719660	-	16190	16410
18 XD	1984-85	USA	0B114231 and Up	-	16190	16410
18 XD	1984-85	BEL	9467988 and Up	-	16190	16410
18 XD	1984-85	CAN	0A719661 and Up	-	16190	16410
20 (200)	1963-65	-	1558310-2296266	N/A	16140	16100
20 (200, 20)	1968-69	USA	2296267 and Up	N/A	16140	16100
20 (200, 20)	1973-77	AUS	8006265 and Up	N/A	16140	16100
20 (200, 20)	1973-77	BEL	9016254 and Up	N/A	16140	16100
20 (200, 20)	1973-77	CAN	7012358 and Up	N/A	16140	16100
20 (20XD) (2-Cyl.)	1986-87	USA	6443973-0B114230	-	16190	16410
20 (20XD) (2-Cyl.)	1986-87	BEL	9415101-9467987	-	16190	16410
20 (20XD) (2-Cyl.)	1986-87	CAN	7209533-0A719660	-	16190	16410
20 (20XD) (2-Cyl.)	1986-87	USA	0B114231 and Up	-	16190	16410
20 (20XD) (2-Cyl.)	1986-87	BEL	9467988 and Up	-	16190	16410
20 (20XD) (2-Cyl.)	1986-87	CAN	0A719661 and Up	-	16190	16410
20 (20)	1988-94	USA	0B238464-0D116955	-	16190	16410
20 (20)	1988-94	BEL	9507381 and Up	-	16190	16410
20 (20)	1988-94	CAN	0A730007 and Up	-	16190	16410
20 (20)	1988-94	USA	0D116956-0D117955	-	16190	16410
20 (20)	1988-94	USA	0D117956 and Up	-	16190	16410
20 (20, 20 Jet) (2-Cyl.)	1994-98	USA	0G044027-0G202749	-	16190	16410
20 (20, 20 Jet) (2-Cyl.)	1994-98	BEL	9807909-9855586	-	16190	16410
20 (20, 20 Jet) (2-Cyl.)	1994-98	USA	0G202750 and Up	-	16190	16410
20 (20, 20 Jet) (2-Cyl.)	1994-98	BEL	9855587 and Up	-	16190	16410
25	1980-83	USA	5705532-6241936	-	16140	16410
25	1980-83	BEL	9315316-9369470	-	16140	16410
25	1980-83	CAN	7166928-7201892	-	16140	16410
25 (2-Cyl.)	1983 1/2	USA	6241937-6443972	-	16140	16410
25 (2-Cyl.)	1983 1/2	BEL	9369471-9415100	-	16140	16410
25 (2-Cyl.)	1983 1/2	CAN	7201893-7209532	-	16140	16410
25 (XD)	1984-87	USA	6446973-0B114230	-	16190	16410
25 (XD)	1984-87	BEL	9415101-9467987	-	16190	16410
25 (XD)	1984-87	CAN	7209533-0A719660	-	16190	16410
25 (XD)	1988-94	USA	0B114231 and Up	-	16190	16410
25 (XD)	1988-94	BEL	9467988 and Up	-	16190	16410
25 (XD)	1988-94	CAN	0A719661 and Up	-	16190	16410
25 (25, 25 Sea Pro, 25 Marathon)	1988-94	USA	0B238464-0D116955	-	16190	16410
25 (25, 25 Sea Pro, 25 Marathon)	1988-94	BEL	9507381-9855586	-	16190	16410
25 (25, 25 Sea Pro, 25 Marathon)	1988-94	CAN	0A730007 and Up	-	16190	16410
25 (25, 25 Sea Pro, 25 Marathon)	1988-94	USA	0D116956-0D117955	-	16190	16410
25 (25, 25 Sea Pro, 25 Marathon)	1988-94	USA	0D117956-0G202749	-	16190	16410
25 (25, 25 Sea Pro, 25 Marathon)	1994-98	USA	0G202750 and Up	-	16190	16410
25 (25, 25 Sea Pro, 25 Marathon)	1994-98	BEL	9855587 and Up	-	16190	16410
25 (Lightning Export) (3-Cyl.)	1997	USA	0E268781 and Up	-	-	-
25 (250)	1959-61	-	1290910-1499331	N/A	16140	16100
30 (300)	1959-61	-	1271884-1448139	16100	16140	16100
30 (2-Cyl.) (644cc)	1994-98	USA	0G053314-0G589999	-	16120	16200
30 (2-Cyl.) (644cc)	1994-98	USA	0G590000 and Up	-	16120	16200
30 (430cc, Lightning Export) (3-Cyl.)	1997-98	USA	0G575500 and Up	-	-	-
30 (Jet) (4-Cyl.)	1994-97	-	0C159200 and Up	16150	16140	16100
30 (Jet) (3-Cyl.)	1998	-	0G590000 and Up	-	16120	16200
35 (350, 35A)	1959-61	-	1217222-1448139	16100	16140	16100
35 (350) (2-Cyl.)	1963-65	-	1571114-1898815	N/A	16160	16130
35 (350) (2-Cyl.)	1965 1/2	-	1898815 and Up	N/A	16160	16130
35 (350) (2-Cyl.)	1966-69	-	1960827-2097279	N/A	16160	16130
35 (350) (2-Cyl.)	1966-69	-	2097832-2258863	N/A	16160	16130
35 (350) (2-Cyl.)	1966-69	-	2097832-2258863	N/A	16160	16130
35 (350) (2-Cyl.)	1966-69	-	2300962-2874703	N/A	16160	16130
35 (2-Cyl.)	1984-86	USA	6445653-0B110788	N/A	16120	16210
35 (2-Cyl.)	1984-86	BEL	9384476 and Up	N/A	16120	16210
35 (2-Cyl.)	1984-86	CAN	7209608 and Up	N/A	16120	16210
40 (400 E, 400M) (4-Cyl.)	1960-81	-	1279685-1367697	16100	16140	16100
40 (400E-1, 400M-1) (4-Cyl.)	1960-81	-	1384806-1476509	16100	16140	16100

POWERHEAD BEARINGS APPLICATION

Model	Year	Origin	Serial No. Range	Center Bearing	Conn. Rod Bearing Small End	Conn. Rod Bearing Big End
40 (400) (2-Cyl.)	1970-71	-	2874704-3045259	N/A	16120	16210
40 (400) (2-Cyl.)	1970-71	-	3045260-3336257	N/A	16120	16210
40 (402)	1972-74	USA	3336258-4117709	N/A	16120	16210
40 (402)	1972-74	AUS	8002335-8027439	N/A	16120	16210
40 (402)	1972-74	BEL	3339688-9076838	N/A	16120	16210
40 (402)	1972-74	CAN	3340783-7047607	N/A	16120	16210
40 (402, 40)	1975-77	USA	4117710-5556229	N/A	16120	16210
40 (402, 40)	1975-77	AUS	8027440-8064749	N/A	16120	16210
40 (402, 40)	1975-77	BEL	9076839-9251455	N/A	16120	16210
40 (402, 40)	1975-77	CAN	7047608-7144762	N/A	16120	16210
40 (2-Cyl.)	1980-83	USA	5556230 and Up	N/A	16120	16210
40 (2-Cyl.)	1980-83	AUS	8064750 and Up	N/A	16120	16210
40 (2-Cyl.)	1980-83	BEL	9251456 and Up	N/A	16120	16210
40 (2-Cyl.)	1980-83	CAN	7144763 and Up	N/A	16120	16210
40 (2-Cyl.)	1994-98	USA	0G053314 and Up	-	16120	16200
40 (3-Cyl.)	1997-98	USA	0G531301 and Up	-	16120	16200
40 (3-Cyl.)	1997-98	BEL	9973100 and Up	-	16120	16200
40 (4-Cyl.)	1989 & Up	USA	0C159200 and Up	16150	16140	16100
40 (4-Cyl.)	1989 & Up	BEL	9570790 and Up	16150	16140	16100
45 (450)	1987-89	-	1476510 and Up	16100	16140	16100
45 (4-Cyl.)	1986	USA	5531630 and Up	16150	16140	16100
45 (4-Cyl.)	1986	AUS	8063985 and Up	16150	16140	16100
45 (4-Cyl.)	1986	BEL	9248006 and Up	16150	16140	16100
45 (4-Cyl.)	1986	CAN	7143688 and Up	16150	16140	16100
45 Jet	1996-87	USA	0D000750-0G589999	-	16120	16200
45 Jet (59 CID) (3-Cyl.)	1998	USA	0G590000 and Up	-	16120	16200
50 (500)	1961-63	-	1421113-1755548	16100	16140	16100
50 (500)	1965-67	USA	1770179-2305100	16100	16140	16100
50 (500)	1965-67	BEL	1755549-2305100	16100	16140	16100
50 (500, 50)	1968-74	USA	2305151-5193253	16100	16140	16100
50 (500, 50)	1971-74	AUS	2863739-8057394	16100	16140	16100
50 (500, 50)	1971-74	BEL	9001581-9217255	16100	16140	16100
50 (500, 50)	1971-74	CAN	2742142-7116222	16100	16140	16100
50	1976-79	USA	5193259-5531629	16150	16140	16100
50	1976-79	AUS	8057395-8063984	16150	16140	16100
50	1976-79	BEL	9217256-9248005	16150	16140	16100
50 (4-Cyl.)	1980-85	USA	5531630 and Up	16150	16140	16100
50 (4-Cyl.)	1980-85	AUS	8063985 and Up	16150	16140	16100
50 (4-Cyl.)	1980-85	BEL	9248006 and Up	16150	16140	16100
50 (4-Cyl.)	1980-85	CAN	7143688 and Up	16150	16140	16100
50 (3-Cyl.)	1991-95	USA	0D000750-0G589999	-	16120	16200
50 (3-Cyl.)	1991-95	BEL	9683055-9973099	-	16120	16200
50 (3-Cyl.)	1998	USA	0G590000 and Up	-	16120	16200
50 (3-Cyl.)	1998	BEL	9973100 and Up	-	16120	16200
50 (3-Cyl.)	1986-87	USA	6428681-0D000749	16150	16120	16210
50 (3-Cyl.)	1986-87	BEL	9385911-9683054	16150	16120	16210
50 (3-Cyl.)	1986-87	CAN	7208333 and Up	16150	16120	16210
55 (3-Cyl.)	1996	USA	0D000750-0G589999	-	16120	16200
55 (3-Cyl.)	1996	BEL	9741042-9973099	-	16120	16200
55 (3-Cyl.)	1998	USA	0G590000 and Up	-	16120	16200
55 (3-Cyl.)	1998	BEL	9973100 and Up	-	16120	16200
60 (600)	1960	-	1303411-1542744	16150	16140	16100
60 (3-Cyl.)	1984-87	USA	6428681-0D000749	16150	16120	16210
60 (3-Cyl.)	1984-87	BEL	9385911-9683054	16150	16120	16210
60 (3-Cyl.)	1984-87	CAN	7208333 and Up	16150	16120	16210
60 (3-Cyl.)	1991-95	USA	0D000750-0G589999	-	16120	16200
60 (3-Cyl.)	1991-95	BEL	9683055-9973099	-	16120	16200
60 (59 CID) (3-Cyl.)	1998	USA	0G590000 and Up	-	16120	16200
60 (59 CID) (3-Cyl.)	1998	BEL	9973100 and Up	-	16120	16200
65 (650) (4-Cyl.)	1963-64	-	1542745-1765043	16150	16160	16130
65 (650) (4-Cyl.)	1965-66	-	1765044-2119748	16150	16160	16130
65 (650) (4-Cyl.)	1967	-	2119749-2309310	16150	16160	16130
65 (650) (4-Cyl.)	1968-71	-	2309311-3293183	16150	16160	16130
65 (650) (3-Cyl.)	1973-76	-	3293184-4571651	16150	16120	16210
65 (650) (3-Cyl.)	1973-75	-	8006640-8042349	16150	16120	16210
65 (650) (3-Cyl.)	1973-76	-	9020074-9135824	16150	16120	16210
65 (650) (3-Cyl.)	1973-76	-	7013633-7087822	16150	16120	16210
65 Jet	1994-98	USA	0D283222 and Up	-	16250	16420
65 Jet	1994-98	BEL	9793577 and Up	-	16250	16420
70 (700) (6-Cyl.)	1960-61	-	1296411-1566239	16150	16140	16100
70 (3-Cyl.)	1977-79	USA	4571652-5579016	16150	16120	16210
70 (3-Cyl.)	1977-79	AUS	8042350-8065064	16150	16120	16210

GLM Products, Inc.

POWERHEAD BEARINGS APPLICATION

Model	Year	Origin	Serial No. Range	Center Bearing	Conn. Rod Bearing Small End	Conn. Rod Bearing Big End
70 (3-Cyl.)	1977-79	BEL	9135825-9255130	16150	16120	16210
70 (3-Cyl.)	1977-79	CAN	7087823-7145937	16150	16120	16210
70 (3-Cyl.)	1980-83	USA	5579017-6428680	16150	16120	16210
70 (3-Cyl.)	1980-83	AUS	8065065 and Up	16150	16120	16210
70 (3-Cyl.)	1980-83	BEL	9255131-9385910	16150	16120	16210
70 (3-Cyl.)	1980-83	CAN	7145938-7208332	16150	16120	16210
70 (3-Cyl.) Rod No. 938-8532-1	1987	USA	0A996142 and Up	-	16185	16420
70 (3-Cyl.) Rod No. 938-8532-1	1987	BEL	9483121 and Up	-	16185	16420
70 (3-Cyl.) Rod No. 638-818846	1987	USA	0A996142 and Up	-	16250	16420
70 (3-Cyl.) Rod No. 638-818846	1987	BEL	9483121 and Up	-	16250	16420
75 (4-Cyl.)	1984-88	USA	6432901 and Up	16150	16120	16210
75 (4-Cyl.)	1984-88	BEL	9393856 and Up	16150	16120	16210
75 (4-Cyl.)	1984-88	CAN	7208573 and Up	16150	16120	16210
75 (3-Cyl.) Rod No. 638-8532-1	1990-93	USA	0C222000-0D283221	-	16185	16420
75 (3-Cyl.) Rod No. 638-8532-1	1990-93	BEL	9589039-9793576	-	16185	16420
75 (3-Cyl.) Rod No. 638-818846	1990-93	USA	0C222000-0D283221	-	16250	16420
75 (3-Cyl.) Rod No. 638-818846	1990-93	BEL	9589039-9793576	-	16250	16420
75 (3-Cyl.)	1994-98	USA	0D283222 and Up	-	16250	16420
75 (3-Cyl.)	1994-98	BEL	9793577 and Up	-	16250	16420
80 (800) (6-Cyl.)	1960-61	-	1335465-1566239	16150	16160	16130
80 (800) (4-Cyl.)	1969-72	-	2559001-2670574	16150	16120	16210
80 (800) (4-Cyl.)	1969-72	-	2783253-3493912	16150	16120	16210
80 (80, 800) (4-Cyl.)	1978-79	USA	4831999-5582561	16150	16120	16210
80 (80, 800) (4-Cyl.)	1978-79	AUS	8050200-8067014	16150	16120	16210
80 (80, 800) (4-Cyl.)	1978-79	BEL	9177626-9256130	16150	16120	16210
80 (80, 800) (4-Cyl.)	1978-79	CAN	7110998-7146212	16150	16120	16210
80 (80) (4-Cyl.)	1980-83	USA	5582562-6432900	16150	16120	16210
80 (80) (4-Cyl.)	1980-83	AUS	8067015 and Up	16150	16120	16210
80 (80) (4-Cyl.)	1980-83	BEL	9256131-9393855	16150	16120	16210
80 (80) (4-Cyl.)	1980-83	CAN	7146213-7208572	16150	16120	16210
80 (3-Cyl.) Rod No. 638-8532-1	1987	USA	0A996142-0C221999	-	16185	16420
80 (3-Cyl.) Rod No. 638-8532-1	1987	BEL	9483121-9589038	-	16185	16420
80 (3-Cyl.) Rod No. 646-818846	1987	USA	0A996142-0C221999	-	16250	16420
80 (3-Cyl.) Rod No. 646-818846	1987	BEL	9483121-9589038	-	16250	16420
80 Jet	1994-98	USA	0D283222 and Up	-	16250	16420
80 Jet	1994-98	BEL	9793577 and Up	-	16250	16420
85 (850, 76 CID) (6-Cyl.)	1963-64	-	1460999-1464848	16150	16160	16130
85 (850, 90 CID) (6-Cyl.)	1963-64	-	1566240-1766823	16150	16160	16130
85 (850) (4-Cyl.)	1973-77	USA	3493913-3865694	16150	16120	16210
85 (850) (4-Cyl.)	1973-77	AUS	8005440-8017139	16150	16120	16210
85 (850) (4-Cyl.)	1973-77	BEL	9011604-9053363	16150	16120	16210
85 (850) (4-Cyl.)	1973-77	CAN	7010108-7033027	16150	16120	16210
85 (850) (4-Cyl.)	1973-77	USA	3865695-4831998	16150	16120	16210
85 (850) (4-Cyl.)	1973-77	AUS	8017140-8050199	16150	16120	16210
85 (850) (4-Cyl.)	1973-77	BEL	9053364-9177625	16150	16120	16210
85 (850) (4-Cyl.)	1973-77	CAN	7033028-7110997	16150	16120	16210
90 (900) (6-Cyl.)	1965	-	1766824-1850448	16150	16160	16130
90 (900) (6-Cyl.)	1965	-	1850449-1869775	16150	16160	16130
90 (90, 900) (6-Cyl.)	1978-79	USA	4845301-5594656	16150	16120	16210
90 (90, 900) (6-Cyl.)	1978-79	CAN	7111698-8060694	16150	16120	16210
90 (90) (6-Cyl.)	1980-83	USA	5594657 and Up	16150	16120	16210
90 (90) (6-Cyl.)	1980-83	AUS	8071020 and Up	16150	16120	16210
90 (90) (6-Cyl.)	1980-83	CAN	7147088 and Up	16150	16120	16210
90 (3-Cyl.) Rod No. 638-8532-1	1987	USA	0A996142-0D283221	-	16185	16420
90 (3-Cyl.) Rod No. 638-8532-1	1987	BEL	9483121-9793576	-	16185	16420
90 (3-Cyl.) Rod No. 646-818846	1987	USA	0A996142-0D283221	-	16250	16420
90 (3-Cyl.) Rod No. 646-818846	1987	BEL	9483121-9793576	-	16250	16420
90 (90) (3-Cyl.)	1994-98	USA	0D283222 and Up	-	16250	16420
90 (90) (3-Cyl.)	1994-98	BEL	9793577 and Up	-	16250	16420
95 (950E) (6-Cyl.)	1966-67	-	1869776-2318585	16150	16160	16130
95 (950E-SS)	1966-67	-	1869776-2318585	16150	16160	16130
95 (950E-SS-1)	1966-67	-	1869776-2318585	16150	16160	16130
100 (1000)	1964-65	-	1464949-2318585	16150	16160	16130
100 (1000SS)	1968-69	-	2318586-2836018	16150	16160	16130
100 (1000BP)	1968	-	2399698-2641854	16150	16160	N.L.A.
100 (1000BP)	1969	-	2641855-3253111	N.L.A.	16120	16210
110 (1100E)	1966-67	-	1870204-2314955	16150	16160	16130
110 (1100E-SS)	1966-67	-	1870204-2314955	16150	16160	16130
110 (1100E-SS-1)	1966-67	-	1870204-2314955	16150	16160	16130
105 Jet	1996 & Up	-	0D082000 and Up	-	16260	16200
115 (1150)	1970-72	-	2836019-3525440	16150	16120	16210
115 (1150, 115)	1973-79	USA	3525441-5600966	16150	16120	16210

POWERHEAD BEARINGS APPLICATION

Model	Year	Origin	Serial No. Range	Center Bearing	Conn. Rod Bearing Small End	Conn. Rod Bearing Big End
115 (1150, 115)	1973-79	AUS	8008665-8061269	16150	16120	16210
115 (1150, 115)	1973-79	CAN	7010763-7147987	16150	16120	16210
115 (6-Cyl.)	1980	USA	5600967-6262960	16150	16120	16210
115 (6-Cyl.)	1980	AUS	8067340 and Up	16150	16120	16210
115 (6-Cyl.)	1980	CAN	7147988-7200642	16150	16120	16210
115 (6-Cyl.)	1984-88	USA	6262961-0C099999	16150	16120	16210
115 (6-Cyl.)	1984-88	CAN	7200643 and Up	16150	16120	16210
115 (4-Cyl.) Rod No. 638-8532-1	1988-93	USA	0C100000 and Up	-	16185	16420
115 (4-Cyl.) Rod No. 638-8532-1	1988-93	BEL	9559771 and Up	-	16185	16420
115 (4-Cyl.) Rod No. 646-818846	1989-93	USA	0C100000 and Up	-	16250	16420
115 (4-Cyl.) Rod No. 646-818846	1989-93	BEL	9559771 and Up	-	16250	16420
115 (4-Cyl.)	1994-98	USA	0D283222 and Up	-	16250	16420
115 (4-Cyl.)	1994-98	BEL	9793577 and Up	-	16250	16420
125 (1250, 1250BP)	1968-69	-	2314956-2641954	16150	16120	16210
125 (1250BP)	1969	-	2641955-3253111	16150	16120	16210
125 (4-Cyl.)	1994-98	USA	0D283222 and Up	-	16250	16420
125 (4-Cyl.)	1994-98	BEL	9793577 and Up	-	16250	16420
135 (1350)	1970-71	-	2839369-3293233	16150	16120	16210
1400	1972	-	3293234-3502805	16150	16120	16210
1400-140	1978-79	USA	4865678 and Up	16150	16120	16210
1400-140	1978-79	AUS	8052650 and Up	16150	16120	16210
1400-140	1978-79	CAN	7112773 and Up	16150	16120	16210
140 Jet	1996-98	USA	0D082000 and Up	-	16250	16200
V-135 w/Metal Caged Center Bearing	1986-88	USA	0A904646-0C239552	22800	16170	16200
V-135 w/Plastic Caged Center Bearing	1986-88	USA	0A904646-0C239552	-	16170	16200
V-135 Rod No. 636-8118	1991	USA	0C239553-0D082000	-	16170	16200
V-135 Rod No. 644-818141	1991	USA	0C239553-0D082000	-	16260	16200
V-135	1992-95	USA	0D082000 and Up	-	16260	16200
V-135 DFI	1992-95	USA	0D082000 and Up	-	16260	16200
1500-1500XS	1973-78	-	3502806-5327662	16150	16120	16210
1500-1500XS	1973-78	-	8005615-8052649	16150	16120	16210
1500-1500XS	1973-77	-	7010533-7112772	16150	16120	16210
V-150 (V-1500)	1973-77	USA	4868998-0C100860	22800	16170	16200
V-150	1989-90	USA	0C100861-0C239552	-	16170	16200
V-150 Rod No. 636-8118	1988-91	USA	0C239553-0D081999	-	16170	16200
V-150 Rod No. 644-818141	1988-91	USA	0C239553-0D081999	-	16260	16200
V-150 EFI	1992-95	USA	0D082000 and Up	-	16260	16200
V-150 DFI	1992-95	USA	0D082000 and Up	-	16260	16200
XR-4	1988-89	USA	0B242885-0C239552	-	16170	16200
XR-4	1991	USA	0C239553-0D081999	-	16170	16200
XR-6	1992-95	USA	0D082000 and Up	-	16260	16200
V-175 (1750)	1976-81	USA	4301235-6618750	22800	16170	16200
V-175 (1750)	1976-79	AUS	8058870 and Up	22800	16170	16200
V-175	1985-88	USA	6618751-0C239552	-	16170	16200
V-175	1991	USA	0C239553-0D081999	-	16170	16200
V-175	1992-95	USA	0D082000 and Up	-	16260	16200
V-175 XRI	1991	USA	0D000750-0D081999	-	16170	16200
V-175 EFI	1992-95	USA	0D082000 and Up	-	16260	16200
V-200 (V2000)	1978-79	USA	4839034-5363917	22800	16170	16200
V-200	1980-81	USA	5363918-6073191	22800	16170	16200
V-200	1980-81	AUS	8061595-8065672	22800	16170	16200
V-200 (2.4L)	1982	USA	6073192-0C291519	-	16170	16200
V-200 (2.5L) Rod No. 636-8118	1991	USA	0C291520-0D081999	-	16170	16200
V-200 (2.5L) Rod No. 644-818141	1991	USA	0C291520-0D081999	-	16260	16200
V-200	1992-95	USA	0D082000 and Up	-	16260	16200
V-200 EFI	1989-90	USA	0C100861-0C291519	-	16170	16200
V-200 EFI Rod No. 644-818141	1991	USA	0C291520-0D081999	-	16260	16200
V-200 EFI Rod No. 636-8118	1991	USA	0C291520-0D081999	-	16170	16200
V-200 EFI	1992-95	USA	0D082000-0G303045	-	16260	16200
V-200 EFI	1996-98	USA	0G303046 and Up	-	16260	16200
V-200 DFI	1997	USA	0G386496-0G589999	-	16185	16420
V-200 DFI	1998	USA	0G590000 and Up	-	16185	16420
V-220	1987-88	USA	0B117316 and Up	-	16170	16200
V-225	1980-81	USA	5628028 and Up	-	16170	16200
V-225 (225 Sea Pro)	1994-98	USA	0D280813 and Up	-	16185	16420
V-225 DFI	1998	USA	0G590000 and Up	-	16185	16420
V-225	1995-98	USA	0G129222 and Up	-	16185	16420
V-250 EFI	1995-98	USA	0G129222 and Up	-	16185	16420
V-250	1995-98	USA	0C101891 and Up	22810	16185	16420
V-275	1989-94	USA	0C101891 and Up	22810	16185	16420
V-3.4L	1980-87	USA	5611648 and Up	22810	16185	16420

GLM Products, Inc.

CRANKSHAFT BEARINGS, OIL SEALS & O-RING APPLICATION

Model	Year	Origin	Serial No. Range	Upper				Lower			
				Ball Brg.	Roller Brg.	O-ring	Oil Seal	Ball Brg.	O-ring	Top Seal	Bot. Seal
3.5	1983-85	USA	6202173 and Up	-	-	82310	-	-	N/A	85460	N/A
3.6	1980-82	USA	5404657 and Up	-	-	82310	-	-	N/A	85460	N/A
3.6	1980-82	BEL	9252831 and Up	-	-	82310	-	-	N/A	85460	N/A
3.6	1980-82	CAN	7145388 and Up	-	-	82310	-	-	N/A	85460	N/A
3.9 (39) (1-Cyl.)	1964-68	-	16655013-2498135	-	-	82310	-	-	N/A	-	N/A
4 (40) (1-Cyl.)	1969-74	USA	2498136-4107219	-	-	82310	-	-	N/A	-	N/A
4 (40) (1-Cyl.)	1972-74	AUS	3306257-8026439	-	-	82310	-	-	N/A	85460	N/A
4 (40) (1-Cyl.)	1972-74	BEL	9000306-9072178	-	-	82310	-	-	N/A	85460	N/A
4 (40) (1-Cyl.)	1972-74	CAN	3305152-7045757	-	-	82310	-	-	N/A	85460	N/A
4 (1-Cyl.)	1982-86	USA	5595532 and Up	-	-	82310	-	-	N/A	85460	N/A
4 (1-Cyl.)	1982-86	AUS	8068065 and Up	-	-	82310	-	-	N/A	85460	N/A
4 (1-Cyl.)	1982-86	BEL	9258281 and Up	-	-	82310	-	-	N/A	85460	N/A
4 (1-Cyl.)	1982-86	CAN	7143688 and Up	-	-	82310	-	-	N/A	85460	N/A
4 (1-Cyl.)	1987-88	USA	0A809601 and Up	-	N/A	N/A	-	-	N/A	-	N/A
4 (1-Cyl.)	1987-88	BEL	9477830 and Up	-	N/A	N/A	-	-	N/A	-	N/A
4 (40) (2-Cyl.) (Gnat)	1976-79	BEL	9075839-9256980	N/A	N.L.A.	N/A	-	-	80430	-	N/A
4 (40) (2-Cyl.) (Gnat)	1976-79	CAN	7085673-7146487	N/A	N.L.A.	N/A	-	-	80430	-	N/A
4 (40) (2-Cyl.)	1980-81	USA	5589202 and Up	N/A	N.L.A.	N/A	-	-	80430	-	N/A
4 (40) (2-Cyl.)	1980-81	AUS	8065265 and Up	N/A	N.L.A.	N/A	-	-	80430	-	N/A
4 (40) (2-Cyl.)	1980-81	BEL	9256981 and Up	N/A	N.L.A.	N/A	-	-	80430	-	N/A
4 (40) (2-Cyl.)	1980-81	CAN	7146488 and Up	N/A	N.L.A.	N/A	-	-	80430	-	N/A
4.5 (4.5, 45) (1-Cyl.)	1975-79	USA	4107220-5595531	-	-	82310	-	-	N/A	85460	N/A
4.5 (4.5, 45) (1-Cyl.)	1975-79	AUS	8026540-8068064	N.L.A.	-	82310	-	-	N/A	85460	N/A
4.5 (4.5, 45) (1-Cyl.)	1975-79	BEL	9072179-9258280	-	-	82310	-	-	N/A	85460	N/A
4.5 (4.5, 45) (1-Cyl.)	1975-79	CAN	7045758-7147237	-	-	82310	-	-	N/A	85460	N/A
4.5 (1-Cyl.)	1980-85	USA	5595532 and Up	-	-	82310	-	-	N/A	85460	N/A
4.5 (1-Cyl.)	1980-85	AUS	8068065 and Up	-	-	82310	-	-	N/A	85460	N/A
4.5 (1-Cyl.)	1980-85	BEL	9258281 and Up	-	-	82310	-	-	N/A	85460	N/A
4.5 (1-Cyl.)	1980-85	CAN	7147238 and Up	-	-	82310	-	-	N/A	85460	N/A
5 (1-Cyl.)	1987-89	USA	0A809601 and Up	-	N/A	N/A	-	-	N/A	-	N/A
5 (1-Cyl.)	1987-89	BEL	9477830 and Up	-	N/A	N/A	-	-	N/A	-	N/A
6 (60)	1966-68	-	1916139-2529894	-	-	82280	-	-	N/A	-	N/A
6	1986-93	USA	0A197112 and Up	N/A	-	N/A	-	-	N/A	-	N/A
6	1986-93	BEL	9461526 and Up	N/A	-	N/A	-	-	N/A	-	N/A
7.5 (75)	1969-78	USA	2529895-2721150	-	-	82310	-	-	N/A	-	N/A
7.5 (75)	1969-71	-	2810637-3801457	-	-	82310	-	-	N/A	85460	N/A
7.5 (7.5, 75)	1974-77	USA	3801458 and Up	-	-	82310	-	-	N/A	-	N/A
7.5 (7.5, 75)	1974-77	AUS	8015315 and Up	-	-	82310	-	-	N/A	-	N/A
7.5 (7.5, 75)	1974-77	BEL	9043194 and Up	-	-	82310	-	-	N/A	-	N/A
7.5 (7.5, 75)	1974-77	CAN	7028598 and Up	-	-	82310	-	-	N/A	-	N/A
8	1986-93	USA	0A197112 and Up	N/A	-	N/A	-	-	N/A	-	N/A
8	1986-93	BEL	9461526 and Up	N/A	-	N/A	-	-	N/A	-	N/A
9.8 (110)	1966-69	-	1865779-2798056	-	-	82310	-	-	N/A	-	N/A
9.8 (110)	1970-73	-	2798057-3795657	-	-	82310	-	-	N/A	85460	N/A
9.8 (9.8) (110)	1974-77	USA	3795658 and Up	-	-	82310	-	-	N/A	-	N/A
9.8 (9.8) (110)	1974-77	AUS	8015040 and Up	-	-	82310	-	-	N/A	-	N/A
9.8 (9.8) (110)	1974-77	BEL	9041439 and Up	-	-	82310	-	-	N/A	-	N/A
9.8 (9.8) (110)	1974-77	CAN	7027323 and Up	-	-	82310	-	-	N/A	-	N/A
9.9	1986-93	USA	0A197112 and Up	N/A	-	N/A	-	-	N/A	-	N/A
9.9	1986-93	BEL	9461526 and Up	N/A	-	N/A	-	-	N/A	-	N/A
10 (100)	1960-62	-	1290910-1499331	21840	-	N.L.A.	N.L.A.	21840	N/A	85040	85040
10 (XR10)	1990-93	USA	0D038000 and Up	N/A	-	N/A	-	-	N/A	-	N/A
10 (XR10)	1990-93	BEL	9596000 and Up	N/A	-	N/A	-	-	N/A	-	N/A
10 (Magnum, Sea Pro, Marathon)	1990-93	USA	0D038000 and Up	N/A	-	N/A	-	-	N/A	-	N/A
10 (Magnum, Sea Pro, Marathon)	1990-93	BEL	9596000 and Up	N/A	-	N/A	-	-	N/A	-	N/A
15 (150)	1960-62	-	1290910-1499331	21840	-	N.L.A.	-	21840	N/A	85040	85040
15	1988-93	USA	0B292414 and Up	N/A	-	N/A	-	-	N/A	-	N/A
15	1988-93	BEL	9542620 and Up	N/A	-	N/A	-	-	N/A	-	N/A
15 (Sea Pro)	1994-96	USA	0G044365-0G437999	N/A	-	N/A	-	-	N/A	-	N/A
15 (Sea Pro)	1994-96	USA	0G438000 and Up	N/A	-	N/A	-	-	N/A	-	N/A
15 (Sea Pro, XD, Marathon)	1997-98	BEL	9927000 and Up	N/A	-	N/A	-	-	N/A	-	N/A
15 (Super)	1994-98	USA	0B238464 and Up	N/A	-	N/A	-	-	N/A	-	N/A
15 (Super)	1994-98	BEL	9507381 and Up	N/A	-	N/A	-	-	N/A	-	N/A
18 (18, 18 XD)	1980-83	USA	5837437 and Up	N/A	-	N/A	-	-	N/A	-	N/A
18 (18, 18 XD)	1980-83	AUS	8071973 and Up	N/A	-	N/A	-	-	N/A	-	N/A
18 (18, 18 XD)	1980-83	BEL	9308306 and Up	N/A	-	N/A	-	-	N/A	-	N/A
18 (18, 18 XD)	1980-83	CAN	7173723 and Up	N/A	-	N/A	-	-	N/A	-	N/A
20 (200)	1960-62	-	1290910-1499331	21840	-	N.L.A.	N.L.A.	21840	N/A	85040	85040

TOC

Manifolds-Merc.

Manifolds-OMC

Manifolds-Volvo

Manifolds-Barr

MerCruiser

Merc / Mar / For

OMC / Volvo

Johnson / Evin

Yamaha

Index / X-Ref.

Warranty

CRANKSHAFT BEARINGS, OIL SEALS & O-RING APPLICATION

Model	Year	Origin	Serial No. Range	Upper				Lower			
				Ball Brg.	Roller Brg.	O-ring	Oil Seal	Ball Brg.	O-ring	Top Seal	Bot. Seal
20 (200)	1963-65	-	1558310-2031773	21840	-	N.L.A.	-	21840	N/A	85040	85040
20 (200)	1968-69	-	2031774-2827676	21840	-	82340	-	21840	N/A	85040	85040
20 (200, 20)	1968-69	USA	2827677-6443972	21840	-	82340	-	21840	N/A	85022	N/A
20 (200, 20)	1973-77	AUS	8006265 and Up	21840	-	82340	-	21840	N/A	85022	N/A
20 (200, 20)	1973-77	BEL	9016254-9415100	21840	-	82340	-	21840	N/A	85022	N/A
20 (200, 20)	1973-77	CAN	7012358-7012357	21840	-	82340	-	21840	N/A	85022	N/A
20 (20, 20XD)	1986-87	USA	6443973 and Up	N/A	-	N/A	-	-	N/A	-	N/A
20 (20, 20XD)	1986-87	BEL	9415101 and Up	N/A	-	N/A	-	-	N/A	-	N/A
20 (20, 20XD)	1986-87	CAN	7209533 and Up	N/A	-	N/A	-	-	N/A	-	N/A
20 Jet	1994-98	USA	0G044027 and Up	N/A	-	N/A	-	-	N/A	-	N/A
25 (250)	1959-61	-	1290910-1499331	21840	-	N.L.A.	N.L.A.	21840	N/A	85040	85040
25 (25, 25XD) (2-Cyl.)	1980-83	USA	5705632 and Up	N/A	-	N/A	-	-	N/A	-	N/A
25 (25, 25XD) (2-Cyl.)	1980-83	AUS	8073158 and Up	N/A	-	N/A	-	-	N/A	-	N/A
25 (25, 25XD) (2-Cyl.)	1980-83	BEL	9315316 and Up	N/A	-	N/A	-	-	N/A	-	N/A
25 (25, 25XD) (2-Cyl.)	1980-83	CAN	7166928 and Up	N/A	-	N/A	-	-	N/A	-	N/A
25 (3-Cyl.)	1997	USA	0E268781 and Up	-	N/A	N/A	-	-	N/A	-	N/A
30 (300)	1959-61	-	1271884-1448139	21860	N/A	82340	85010	21860	82340	-	85010
30 (2-Cyl.) (644cc)	1994-98	USA	0G053314 and Up	N/A	-	N/A	-	21860	81390	85010	-
30 (2-Cyl.) (430cc)	1997-98	USA	0G575500 and Up	-	N/A	-	-	-	-	-	-
30 (Jet) (4-Cyl.)	1994-97	-	0C159200 and Up	21860	N/A	82340	85010	21860	80420	85010	85015
30 (Jet) (3-Cyl.)	1998	-	0G531301 and Up	N/A	-	N/A	-	21860	80420	85010	-
35 (350)	1959-61	-	1271884-1448139	21860	N/A	82340	85010	21860	81390	-	85010
35 (350)	1963-69	-	1571114-2874703	21860	N.L.A.	82360	-	21860	82340	-	85010
35 (2-Cyl.)	1984-86	USA	6445653 and Up	N/A	-	82390	85010	21860	82340	85010	85010
40 (400) (2-Cyl.)	1970-71	-	2874704-3336257	-	N/A	82390	85010	21860	N/A	85010	85010
40 (402) (2-Cyl.)	1972-74	USA	3336258-3346479	N/A	-	82390	85010	N.L.A.	80350	85010	85010
40 (402) (2-Cyl.)	1972-74	USA	3477010-4117709	N/A	-	82390	85010	21860	80350	85010	85010
40 (402) (2-Cyl.)	1972-74	AUS	8002335-8027439	N/A	-	82390	85010	21860	80350	85010	85010
40 (402) (2-Cyl.)	1972-74	BEL	3339688-9076838	N/A	-	82390	85010	21860	80350	85010	85010
40 (402) (2-Cyl.)	1972-74	CAN	3340783-7047607	N/A	-	82390	85010	21860	80350	85010	85010
40 (402, 40) (2-Cyl.)	1975-77	USA	4117710 and Up	N/A	-	82390	85010	21860	80330	85010	85010
40 (402, 40) (2-Cyl.)	1975-77	AUS	8027440 and Up	N/A	-	82390	85010	21860	80330	85010	85010
40 (402, 40) (2-Cyl.)	1975-77	BEL	9076839 and Up	N/A	-	82390	85010	21860	80330	85010	85010
40 (402, 40) (2-Cyl.)	1975-77	CAN	7047608 and Up	N/A	-	82390	85010	21860	80330	85010	85010
40 (644cc) (2-Cyl.)	1994-98	USA	0G053314 and Up	N/A	-	N/A	-	21860	81390	85010	-
40 (4-Cyl.)	1989 & Up	USA	0C159200-0D279349	21860	N/A	82340	85010	21860	80420	85010	85015
40 (4-Cyl.)	1989 & Up	BEL	9570790-9793444	21860	N/A	82340	85010	21860	80420	85010	85015
40 (4-Cyl.)	1989 & Up	USA	0D279350 and Up	21860	N/A	82340	85010	21860	80420	85010	85010
40 (4-Cyl.)	1989 & Up	BEL	9793445 and Up	21860	N/A	82340	85010	21860	80420	85010	85010
40 (3-Cyl.)	1997-98	USA	0G531301 and Up	N/A	-	N/A	-	21860	81390	85010	-
40 (3-Cyl.)	1997-98	BEL	9973100 and Up	N/A	-	N/A	-	21860	81390	85010	-
45 (450)	1987-89	-	1476510 and Up	21860	N/A	82340	85010	21860	82340	-	85010
45 (4-Cyl.)	1986	USA	5531630 and Up	21860	N/A	82340	85010	21860	82340	85010	85010
45 (4-Cyl.)	1986	AUS	8063985 and Up	21860	N/A	82340	85010	21860	82340	85010	85010
45 (4-Cyl.)	1986	BEL	9248006 and Up	21860	N/A	82340	85010	21860	82340	85010	85010
45 (4-Cyl.)	1986	CAN	7143688 and Up	21860	N/A	82340	85010	21860	82340	85010	85010
45 Jet	1996-87	USA	0D000750-0G589999	N/A	-	N/A	-	21860	81390	85010	85015
45 Jet	1998	USA	0G590000 and Up	N/A	-	N/A	-	21860	81390	85010	85015
50 (500) (4-Cyl.)	1961-70	USA	1421113-2858813	21860	N/A	82340	85010	21860	82340	-	85010
50 (500) (4-Cyl.)	1965-67	CAN	1755549-2305100	21860	N/A	82340	85010	21860	82340	-	85010
50 (50, 500) (4-Cyl.)	1971-74	USA	2858814 and Up	21860	N/A	82340	85010	21860	82340	85010	85010
50 (50, 500) (4-Cyl.)	1971-74	AUS	2863739 and Up	21860	N/A	82340	85010	21860	82340	85010	85010
50 (50, 500) (4-Cyl.)	1971-74	BEL	9001581 and Up	21860	N/A	82340	85010	21860	82340	85010	85010
50 (50, 500) (4-Cyl.)	1971-74	CAN	2742142 and Up	21860	N/A	82340	85010	21860	82340	85010	85010
50 (3-Cyl.)	1986-87	USA	6428681-0D000749	21626	N/A	80440	85010	-	80420	85010	85010
50 (3-Cyl.)	1986-87	BEL	9385911-9683054	21626	N/A	80440	85010	-	80420	85010	85010
50 (3-Cyl.)	1986-87	CAN	7208333 and Up	21626	N/A	80440	85010	-	80420	85010	85010
50 (3-Cyl.)	1991-95	USA	0D000750-0G589999	N/A	-	N/A	-	21860	81390	85010	-
50 (3-Cyl.)	1991-95	BEL	9683055-9973099	N/A	-	N/A	-	21860	81390	85010	-
50 (3-Cyl.)	1998	USA	0G590000 and Up	N/A	-	N/A	-	21860	81390	85010	-
50 (3-Cyl.)	1998	BEL	9973100 and Up	N/A	-	N/A	-	21860	81390	85010	-
55 (3-Cyl.)	1996	USA	0D000750-0G589999	N/A	-	N/A	-	21860	81390	85010	-
55 (3-Cyl.)	1996	BEL	9683055-9973099	N/A	-	N/A	-	21860	81390	85010	-
55 (3-Cyl.)	1998	USA	0G590000 and Up	N/A	-	N/A	-	21860	81390	85010	-
55 (3-Cyl.)	1998	BEL	9973100 and Up	N/A	-	N/A	-	21860	81390	85010	-
60 (600)	1960	-	1303411-1542744	21860	N/A	82340	85010	21860	82340	-	85010
60 (3-Cyl.)	1984-87	USA	6428681-0D000749	21626	N/A	80440	85010	21626	80420	85010	85010
60 (3-Cyl.)	1984-87	BEL	9385911-9683054	21626	N/A	80440	85010	21626	80420	85010	85010

GLM Products, Inc.

CRANKSHAFT BEARINGS, OIL SEALS & O-RING APPLICATION

Model	Year	Origin	Serial No. Range	Upper				Lower			
				Ball Brg.	Roller Brg.	O-ring	Oil Seal	Ball Brg.	O-ring	Top Seal	Bot. Seal
60 (3-Cyl.)	1984-87	CAN	7208333 and Up	21626	N/A	80440	85010	21626	80420	85010	85010
60 (3-Cyl.)	1991-95	USA	0D000750-0G589999	N/A	-	N/A	-	21860	81390	85010	85015
60 (3-Cyl.)	1991-95	BEL	9683055-9973099	N/A	-	N/A	-	21860	81390	85010	85015
65 (650) (4-Cyl.)	1963-69	-	1542745-2803561	21860	N/A	82360	85010	21860	82340	-	85010
65 (650) (4-Cyl.)	1970-71	-	2803562-3293183	21860	N/A	82360	85010	21860	82340	85010	85010
65 (650) (3-Cyl.)	1973-76	USA	3293184-4571651	21626	N/A	82390	85010	21626	80420	85010	85010
65 (650) (3-Cyl.)	1973-75	AUS	8006640 and Up	21626	N/A	82390	85010	21626	80420	85010	85010
65 (650) (3-Cyl.)	1973-76	BEL	9020074-9135824	21626	N/A	82390	85010	21626	80420	85010	85010
65 (650) (3-Cyl.)	1973-76	CAN	7013633-7087822	21626	N/A	82390	85010	21626	80420	85010	85010
65 Jet	1994-98	USA	0D28322 and Up	N/A	-	80330	85090	21622	81500	85010	N/A
70 (700) (6-Cyl.)	1960-61	-	1296411-1566239	21860	N/A	82340	85010	21860	82340	-	85010
70 (3-Cyl.)	1977-83	USA	4571652-6428680	21626	N/A	80440	85010	21626	80420	85010	85010
70 (3-Cyl.)	1977-83	AUS	8042350 and Up	21626	N/A	80440	85010	21626	80420	85010	85010
70 (3-Cyl.)	1977-83	BEL	9135825-9385910	21626	N/A	80440	85010	21626	80420	85010	85010
70 (3-Cyl.)	1977-83	CAN	7087823-7208332	21626	N/A	80440	85010	21626	80420	85010	85010
70 (3-Cyl.)	1987	USA	0A996142-0B240450	N/A	-	80330	85090	21622	81500	85010	N/A
70 (3-Cyl.)	1987	BEL	9483121-9506480	N/A	-	80330	85090	21622	81500	85010	N/A
70 (3-Cyl.)	1988-89	USA	0B240451 and Up	N/A	-	80330	85090	21622	81430	85010	N/A
70 (3-Cyl.)	1988-89	BEL	9506481 and Up	N/A	-	80330	85090	21622	81430	85010	N/A
75 (4-Cyl.)	1984-88	USA	6432901 and Up	21627	N/A	82390	85010	21860	80420	85010	85010
75 (4-Cyl.)	1984-88	BEL	9393856 and Up	21627	N/A	82390	85010	21860	80420	85010	85010
75 (4-Cyl.)	1984-88	CAN	7208573 and Up	21627	N/A	82390	85010	21860	80420	85010	85010
75 (3-Cyl.)	1990-93	USA	0C222000 and Up	N/A	-	80330	85090	21622	81500	85010	N/A
75 (3-Cyl.)	1990-93	BEL	9589039 and Up	N/A	-	80330	85090	21622	81500	85010	N/A
80 (800) (6-Cyl.)	1960-61	-	1335465-1566239	21860	N/A	82340	85010	21860	82340	-	85010
80 (800) (4-Cyl.)	1969-72	-	2559001-3493912	21627	N/A	82390	85010	21860	82340	85010	85010
80 (80, 800) (4-Cyl.)	1978-79	USA	4831999-6432900	21627	N/A	82390	85010	21860	80420	85010	85010
80 (80, 800) (4-Cyl.)	1978-79	AUS	8050200 and Up	21627	N/A	82390	85010	21860	80420	85010	85010
80 (80, 800) (4-Cyl.)	1978-79	BEL	9177626-9393855	21627	N/A	82390	85010	21860	80420	85010	85010
80 (80, 800) (4-Cyl.)	1978-79	CAN	7110998-7208572	21627	N/A	82390	85010	21860	80420	85010	85010
80 (3-Cyl.)	1987	USA	0A996142-0B240450	N/A	-	80330	85090	21622	81500	85010	N/A
80 (3-Cyl.)	1987	BEL	9483121-9506480	N/A	-	80330	85090	21622	81500	85010	N/A
80 (3-Cyl.)	1987	USA	0B240451 and Up	N/A	-	80330	85090	21622	81430	85010	N/A
80 (3-Cyl.)	1987	BEL	9506481 and Up	N/A	-	80330	85090	21622	81430	85010	N/A
80 Jet	1994-98	USA	0D283222-0G760299	N/A	-	80330	85090	21622	81500	85010	N/A
80 Jet w/ round upper o-ring	1994-98	USA	0G760300 and Up	N/A	-	80330	85090	21622	81500	85010	N/A
80 Jet w/ square upper o-ring	1994-98	USA	0G760300 and Up	N/A	-	41370	85090	21622	81500	85010	N/A
85 (850) (6-Cyl.)	1963-64	-	1460999-1464848	21860	N/A	82340	85010	21860	82340	-	85010
85 (850) (6-Cyl.)	1963-64	-	1566240-1766823	21860	N/A	82340	85010	21860	82340	-	85010
85 (850) (4-Cyl.)	1973-77	USA	3493913-4831998	21860	N/A	82390	85010	21860	80420	85010	85010
85 (850) (4-Cyl.)	1973-77	AUS	8005440-8050199	21860	N/A	82390	85010	21860	80420	85010	85010
85 (850) (4-Cyl.)	1973-77	BEL	9011604-9177625	21860	N/A	82390	85010	21860	80420	85010	85010
85 (850) (4-Cyl.)	1973-77	CAN	7010108-7110997	21860	N/A	82390	85010	21860	80420	85010	85010
90 (900) (6-Cyl.)	1965	-	1766824-1869775	21860	N/A	82360	85010	21860	82340	85010	85010
90 (90, 900) (6-Cyl.)	1978-79	USA	4845301 and Up	21860	N/A	82390	85010	21860	80420	85010	85010
90 (90, 900) (6-Cyl.)	1978-79	AUS	8060545 and Up	21860	N/A	82390	85010	21860	80420	85010	85010
90 (90, 900) (6-Cyl.)	1978-79	CAN	7111698 and Up	21860	N/A	82390	85010	21860	80420	85010	85010
90 (3-Cyl.)	1987	USA	0A996142 and Up	N/A	-	80330	85090	21622	81500	85010	-
90 (3-Cyl.)	1987	BEL	9483121 and Up	N/A	-	80330	85090	21622	81500	85010	-
95 (950) (6-Cyl.)	1966-67	-	1869776-2318585	21627	N/A	82360	85010	21860	82340	-	85010
100 (1000) (6-Cyl.)	1964-65	-	1464949-2318585	21627	N/A	82360	85010	21860	82340	-	85010
100 (1000SS) (6-Cyl.)	1968-69	USA	2318586-2413847	21627	N/A	82360	85010	21860	82340	-	85010
100 (1000SS) (6-Cyl.)	1968-69	CAN	2320991-2321200	21627	N/A	82360	85010	21860	82340	-	85010
100 (1000SS) (6-Cyl.)	1968-69	USA	2284633-2836018	21627	N/A	82360	85010	21860	82340	-	85010
100 (1000SS) (6-Cyl.)	1968-69	CAN	2487363-2836018	21627	N/A	82360	85010	21860	82340	-	85010
100 (1000BP) (6-Cyl.)	1968	-	2399698-2641854	21627	N/A	82360	85010	21860	82340	85010	85010
100 (1000BP) (6-Cyl.)	1969	-	2641855-3253111	21627	N/A	82390	85010	21860	82340	85010	85010
100 (4-Cyl.)	1988-93	USA	0B209468-0G760299	N/A	-	80330	85090	21622	81500	85010	85010
100 (4-Cyl.)	1988-93	BEL	9523034-0P016999	N/A	-	80330	85090	21622	81500	85010	85010
100 (4-Cyl.) w/ round upper o-ring	1994-98	USA	0G760300 and Up	N/A	-	80330	85090	21622	81500	85010	-
100 (4-Cyl.) w/ round upper o-ring	1994-98	BEL	0P017000 and Up	N/A	-	80330	85090	21622	81500	85010	-
100 (4-Cyl.) w/ square upper o-ring	1994-98	USA	0G760300 and Up	N/A	-	-	85090	21622	81500	85010	-
100 (4-Cyl.) w/ square upper o-ring	1994-98	BEL	0P017000 and Up	N/A	-	-	85090	21622	81500	85010	-
110 (1100)	1966-67	-	1870204-2314955	21627	N/A	82360	85010	21860	82340	-	85010
115 (1150) (6-Cyl.)	1970-72	-	2836019-3525440	21627	N/A	82390	85010	21860	82340	85010	85010
115 (1150, 115) (6-Cyl.)	1973-79	USA	3525441 and Up	21627	N/A	82390	85010	21860	80420	85010	85010
115 (1150, 115) (6-Cyl.)	1973-79	AUS	8008665 and Up	21627	N/A	82390	85010	21860	80420	85010	85010
115 (1150, 115) (6-Cyl.)	1973-79	CAN	7010763 and Up	21627	N/A	82390	85010	21860	80420	85010	85010

CRANKSHAFT BEARINGS, OIL SEALS & O-RING APPLICATION

Model	Year	Origin	Serial No. Range	Upper				Lower			
				Ball Brg.	Roller Brg.	O-ring	Oil Seal	Ball Brg.	O-ring	Top Seal	Bot. Seal
115 (4-Cyl.)	1988-93	USA	0C100000-0G760299	N/A	-	80330	85090	21622	81500	85010	-
115 (4-Cyl.)	1988-93	BEL	9559771-0P016999	N/A	-	80330	85090	21622	81500	85010	-
115 (4-Cyl.) w/ round upper o-ring	1988-93	USA	0G760300 and Up	N/A	-	80330	85090	21622	81500	85010	-
115 (4-Cyl.) w/ round upper o-ring	1988-93	BEL	0P017000 and Up	N/A	-	80330	85090	21622	81500	85010	-
115 (4-Cyl.) w/ square upper o-ring	1988-93	USA	0G760300 and Up	N/A	-	-	85090	21622	81500	85010	-
115 (4-Cyl.) w/ square upper o-ring	1988-93	BEL	0P017000 and Up	N/A	-	-	85090	21622	81500	85010	-
125 (1250) (6-Cyl.)	1968-69	-	2314956-2839368	-	N/A	82390	85010	21860	82340	-	85010
125 (4-Cyl.)	1994-98	USA	0D283222-0G760299	N/A	-	80330	85090	21622	81500	85010	-
125 (4-Cyl.)	1994-98	BEL	9793577-0P016999	N/A	-	80330	85090	21622	81500	85010	-
125 (4-Cyl.) w/ round upper o-ring	1994-98	USA	0G760300 and Up	N/A	-	80330	85090	21622	81500	85010	-
125 (4-Cyl.) w/ round upper o-ring	1994-98	BEL	0P017000 and Up	N/A	-	80330	85090	21622	81500	85010	-
125 (4-Cyl.) w/ square upper o-ring	1994-98	USA	0G760300 and Up	N/A	-	-	85090	21622	81500	85010	-
125 (4-Cyl.) w/ square upper o-ring	1994-98	BEL	0P017000 and Up	N/A	-	-	85090	21622	81500	85010	-
135 (1350) (6-Cyl.)	1970-71	-	2839369-3293233	21627	N/A	82390	85010	21860	82340	85010	85010
140 (140, 1400) (6-Cyl.)	1972	USA	3293234 and Up	21627	N/A	82390	85010	21860	80420	85010	85010
1400-140	1978-79	AUS	8052650 and Up	21627	N/A	82390	85010	21860	80420	85010	85010
1400-140	1978-79	CAN	7112773 and Up	21627	N/A	82390	85010	21860	80420	85010	85010
150 (1500) (6-Cyl.)	1973-77	USA	3502806-4865677	21627	N/A	82390	85010	21860	80420	85010	85010
150 (1500) (6-Cyl.)	1973-77	AUS	80005615-8052649	21627	N/A	82390	85010	21860	80420	85010	85010
150 (1500) (6-Cyl.)	1973-77	CAN	7010533-7112772	21627	N/A	82390	85010	21860	80420	85010	85010
150 (1500XS) (6-Cyl.)	1978	USA	4868648-5327662	21627	N/A	82390	85010	21860	80420	85010	85010
V-105 Jet	1996 & Up	USA	0D082000 and Up	N/A	-	81430	85010	21623	81520	85010	85010
V-135 Carb. w/ 1.50 ID upper brg.	1986-88	USA	0A904646-0C100860	N/A	-	81430	85010	21623	81520	85010	85010
V-135 Carb. w/ 1.37 ID upper brg.	1986-88	USA	0A904646-0C100860	N/A	-	81430	85010	21623	81520	85010	85010
V-135 Carb.	1989-90	USA	0C100861 and Up	N/A	-	81430	85010	21623	81520	85010	85010
V-135 Carb.	1991	USA	0C239553 and Up	N/A	-	81430	85010	21623	81520	85010	85010
V-135 DFI	1998	USA	0G590000 and Up	N/A	-	81430	85010	21623	81520	85010	85010
V-140 Jet	1994-95	USA	0D082000 and Up	N/A	-	81430	85010	21623	81520	85010	85010
V-150 (V-150 & V-1500) Carb.	1973-77	USA	4868998-0A904645	N/A	-	-	85010	21623	81520	85010	85010
V-150 Carb. w/ 1.50 ID upper brg.	1986-88	USA	0A904646-0C100860	N/A	-	81430	85010	21623	81520	85010	85010
V-150 Carb. w/ 1.37 ID upper brg.	1986-88	USA	0A904646-0C100860	N/A	-	81430	85010	21623	81520	85010	85010
V-150 Carb.	1989-90	USA	0C100861-0C239552	N/A	-	81430	85010	21623	81520	85010	85010
V-150 XR4, Magnum II	1988	USA	0B242885-0C239552	N/A	-	81430	85010	21623	81520	85010	85010
V-150 Carb.	1991	USA	0C239553 and Up	N/A	-	81430	85010	21623	81520	85010	85010
V-150 XR4, 6/Mag II, III	1991	USA	0C239553 and Up	N/A	-	81430	85010	21623	81520	85010	85010
V-150 EFI	1993-95	USA	0D082000 and Up	N/A	-	81430	85010	21623	81520	85010	85010
V-150 DFI	1998	USA	0G590000 and Up	N/A	-	81430	85010	21623	81520	85010	85010
V-175 (V-175, 1750) Carb.	1976-79	USA	4301235-5393736	N/A	-	80410	85010	21623	81530	85010	85010
V-175 (V-175, 1750) Carb.	1976-79	AUS	8058870-8064249	N/A	-	80410	85010	21623	81530	85010	85010
V-175 Carb.	1980-81	USA	5393737-6618750	N/A	-	80410	85010	21623	-	85010	85010
V-175 Carb.	1980-81	AUS	8064250 and Up	N/A	-	80410	85010	21623	-	85010	85010
V-175 Carb.	1985-88	USA	6618751-0C239552	N/A	-	80430	85010	21623	81520	85010	85010
V-175 Carb.	1991	USA	0C239553 and Up	N/A	-	81430	85010	21623	81520	85010	85010
V-175 EFI	1991	USA	0D000750 and Up	N/A	-	81430	85010	21623	81520	85010	85010
V-200 (V-200, 2000) Carb.	1978-79	USA	4839034-05363917	N/A	-	80410	85010	21623	81530	85010	85010
V-200 Carb.	1980-81	USA	05363918-6073191	N/A	-	80410	85010	21623	-	85010	85010
V-200 Carb.	1980-81	AUS	8061595-8065672	N/A	-	80410	85010	21623	-	85010	85010
V-200 Carb.	1982-90	USA	6073192-0C291519	N/A	-	81430	85010	21623	81520	85010	85010
V-200 Carb.	1991	USA	0C291520 and Up	N/A	-	81430	85010	21623	81520	85010	85010
V-200 EFI	1989-90	USA	0C100861-0C291519	N/A	-	81430	85010	21623	81520	85010	85010
V-200 EFI	1991	USA	0C291520 and Up	N/A	-	81430	85010	21623	81520	85010	85010
V-200 DFI	1997	USA	0G386496 and Up	N/A	-	80330	85012	21623	81520	85013	85013
V-200 Laser	1987-88	USA	0B117316 and Up	N/A	-	81430	85010	21623	81520	85010	85010
V-225 (2.4L)	1980-81	USA	5628028 and Up	N/A	-	-	85010	21623	81520	85010	85010
V-225 (3.0L) Carb. Sea Pro, Marathon	1994-98	USA	0G245605-0G303045	N/A	-	80330	85012	21623	81520	85012	-
V-225 (3.0L) Carb. Sea Pro, Marathon	1996-98	USA	0G303046 and Up	N/A	-	80330	85012	21623	81520	85013	85013
V-225 DFI	1998	USA	0G590000 and Up	N/A	-	80330	85012	21623	81520	85013	85013
V-225 EFI	1995-98	USA	0G129222-0G303045	N/A	-	80330	85012	21623	81520	85012	-
V-225 EFI	1995-98	USA	0G303046 and Up	N/A	-	80330	85012	21623	81520	85013	85013
V-250 Carb. w/out upper brg. fitting	1989-94	USA	0C101891 and Up	N/A	-	80330	85010	21624	81540	85014	85014
V-250 Carb. w/ upper brg. fitting	1989-94	USA	0C101891 and Up	N/A	-	80330	85010	21624	81540	85014	85014
V-250 EFI	1995-98	USA	0G129222-0G303045	N/A	-	80330	85012	21623	81520	85012	-
V-250 EFI	1995-98	USA	0G303046 and Up	N/A	-	80330	85012	21623	81520	85013	85013
V-275 Carb. w/out upper brg. fitting	1989-94	USA	0C101891 and Up	N/A	-	80330	85012	21624	81540	85014	85014
V-275 Carb. w/ upper brg. fitting	1989-94	USA	0C101891 and Up	N/A	-	80330	85012	21624	81540	85014	85014
V-300 / 3.4L	1980-87	USA	5611648 and Up	N/A	N.L.A.	80330	85012	21624	81540	85014	85014

GLM Products, Inc.

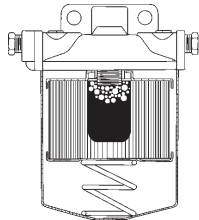
Eliminate Fuel Starvation with GLM's Low Pick-up Water/Fuel Separator Mounting Bracket

Engine compartment temperatures can soar on hot summer days creating high gasoline temperatures. High temps and agitation caused by rough seas can aerate the gasoline in the water/fuel separator filter turning it into foam. A fuel pump can't pull aerated gasoline from the water/fuel separator and deliver it to the carburetor or fuel rail efficiently. The engine will show signs of gasoline starvation (lean) at high speeds, a situation very similar to vapor lock.

Because this aerated gasoline rises to the top of the water/fuel separating filter, GLM has introduced a filter mounting bracket with a fuel pick-up extending deeper into the filter. Through extensive research and testing the GLM engineers have found the optimum location for the fuel pick-up. The deeper location is low enough to be free of aerated gasoline but high enough to be free of the water in the bottom of the separator.

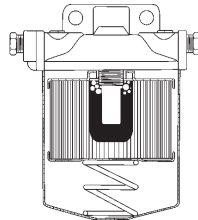
The deeper fuel pickup is only found on the new GLM water/fuel separator mounting bracket kits. It might solve some of those mysterious fuel delivery problems your engine may be experiencing!

Conventional Fuel Filter



Air molecules rise to top and into the fuel system.

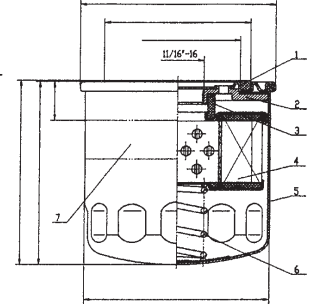
GLM's Fuel Filter



Our design prevents air from entering the fuel system.

GLM Fuel Filter Features

- 28 or 10 micron filter paper shaped into 70 pleats total 327 sq. in. filtration. The largest filtering capability in the aftermarket. (4)
- BWG #11 heavy duty spring (6).
- Gasoline resistant rubber seals (1) (3).
- Oxidizing treatment inside powder coated outside for corrosion protection (5).
- Minimum 196N.m. torque strength between adapt plate and canister (2).
- Will not separate 2 cycle oil from gasoline!



Water Separating Fuel Filter Kits



All kits come with 2 brass plugs & 2 extension tubes.

w/ Translucent Red Stainless Steel Bracket

24960	(24940+25011)	28 Micron
	Flow: 50 GPH	ø1/4" NPTF Ports
24962	(24940+25031)	28 Micron
	Flow: 75 GPH	ø3/8" NPTF Ports

w/ SUS 316 Stainless Steel Bracket

24956	(24950+25010)	28 Micron
	Flow: 50 GPH	ø1/4" NPTF Ports
24958	(24940+25030)	28 Micron
	Flow: 75 GPH	ø3/8" NPTF Ports
24957	(24942+25010)	10 Micron
	Flow: 50 GPH	ø1/4" NPTF Ports
24959	(24942+25030)	10 Micron
	Flow: 75 GPH	ø3/8" NPTF Ports

w/ Die Cast Aluminum Bracket

24950	(24940+25000)	28 Micron
	Flow: 50 GPH	ø1/4" NPTF Ports
24953	(24940+25020)	28 Micron
	Flow: 75 GPH	ø3/8" NPTF Ports
24952	(24942+25000)	10 Micron
	Flow: 50 GPH	ø1/4" NPTF Ports
24954	(24942+25020)	10 Micron
	Flow: 75 GPH	ø3/8" NPTF Ports

Water Separating Fuel Filters



24942	OEM: N/A	10 Micron (4-7/16" H)
24940	OEM: 35-60494-1	28 Micron (4-7/16" H)
24941	OEM: 35-802893Q	28 Micron (3-3/4" H)
24930	OEM: 502905(OMC)	28 Micron (4-7/16" H)

Water Separating Fuel Filter Brackets



All brackets come with 2 brass plugs & 2 extension tubes.

Translucent Red Stainless Steel Brackets

25011	(2 inputs & 2 outputs)	ø1/4" NPTF Ports
25031	(2 inputs & 2 outputs)	ø3/8" NPTF Ports

SUS 316 Stainless Steel Brackets

25010	(2 inputs & 2 outputs)	ø1/4" NPTF Ports
25030	(2 inputs & 2 outputs)	ø3/8" NPTF Ports

Die Cast Aluminum Brackets

25000	(2 inputs & 2 outputs)	ø1/4" NPTF Ports
25020	(2 inputs & 2 outputs)	ø3/8" NPTF Ports

TOC

Manifolds-Merc.

Manifolds-OMC

Manifolds-Volvo

Manifolds-Barr

MerCruiser

Merc/Mar/For

OMC/Volvo

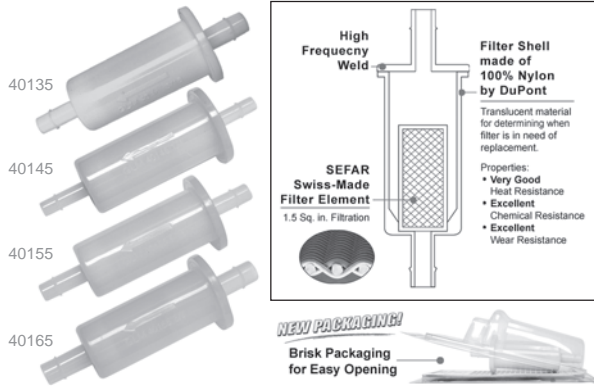
Johnson/Evin

Yamaha

Index / X-Ref.

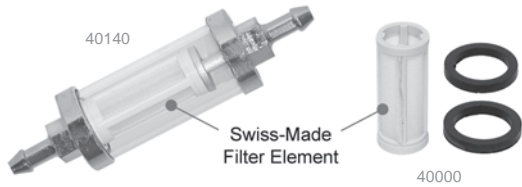
Warranty

Plastic Inline Fuel Filters



- 40135 OEM: 435918 \varnothing 5/16" In - \varnothing 3/8" Out
- 40145 OEM: 35-816296Q03 \varnothing 1/4"
- 40155 OEM: 35-816296Q2 \varnothing 5/16"
- 40165 OEM: N/A \varnothing 3/8"

Transparent Inline Fuel Filters



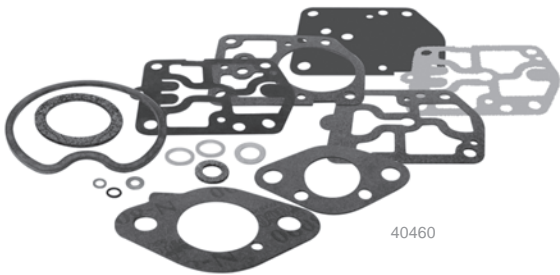
- 40140 OEM: N/A \varnothing 1/4" w/ Swiss Made Filter Element
- 40150 OEM: N/A \varnothing 5/16" w/ Swiss Made Filter Element
- 40160 OEM: N/A \varnothing 3/8" w/ Swiss Made Filter Element

* Warning: Do NOT use on Inboard Engine Applications

Replacement Swiss Made Filter Elements

- 40000 OEM: N/A For No. 40140, 40150 & 40160 Filters

Carburetor Diaphragm & Gasket Kits



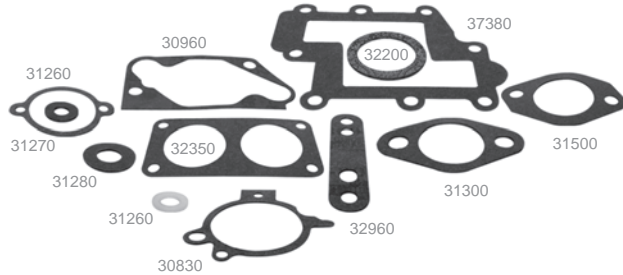
- | | |
|---------------------------------|---|
| 40401 OEM: 1395-4808-1 | 40630 OEM: 810749-3 |
| 40410 OEM: 1395-6200 | 40640 OEM: 1395-9024 |
| 40420 OEM: 1395-6452 | 40440 OEM: 1395-9651 |
| 40435 OEM: 1399-1717, 1399-2015 | 40450 OEM: FK10352
Force 9.9, 15, 25 HP |
| 40460 OEM: 1399-5135, 1399-5198 | 40500 OEM: FK10004, FK10005, FK10007, FK10008, FK10027, FK10108, FRK739
Chrysler O/B 3.6-150, Sea King 6-55 HP |
| 40470 OEM: N/A | |
| 40480 OEM: N/A | |
| 40490 OEM: 1395-811223-1 | |
| 40610 OEM: 1395-9761-1 | |
| 40620 OEM: 810749-2 | |

Inlet Needle & Seats



- | | |
|--------------------------|-------------------------|
| 40900 OEM: 1395-7824 | 40980 OEM: F010790 |
| 40910 OEM: 1395-8318 | 40960* OEM: 809570-1 |
| 40920 OEM: 1395-9258-1 | 40970** OEM: 1395-9022 |
| 40930 OEM: 19271-1 | 40950* OEM: 1395-9595-1 |
| 40940 OEM: 1395-811690-1 | * Needles only |
| | ** Needle & Spring |

Fuel System Gaskets



Mercury / Mariner

- 32200 OEM: 1399-5207 Gasket - 7.5, 9.8, 18, 25, 45, 50 HP
- 30830 OEM: 27-71827 Carb.to Choke Plate - 65 HP, 3-Cyl.
- 30960 OEM: 27-76952 Carb. Plate Gasket - 70, 75, 80, 85 HP, 3 & 4-Cyl.
- 32770 OEM: 27-15172-3 Carb.- 3 & L4-Cyl.
- 32190 OEM: 1399-99 Gasket - For Early L4 & L6-Cyl.
- 32350 OEM: 27-89221-1 Gasket - 135-225 HP, V6
- 32120 OEM: 27-90430-1 Carb. Mounting - 135-200 HP, V6
- 31690 OEM: 27-67751-1 Carb. Mounting - 135-225 HP, V6
- 32960 OEM: 27-98769-1 Fuel Pump Base Gasket
- 31260 OEM: 27-25848 Pump Cover Screw Gasket - 2, 3, L4 & L6-Cyl.
- 31270 OEM: 27-25849 Strainer Cover (Small) Gasket
- 31280 OEM: 27-25851 Strainer Cover (Large) Gasket

Carburetor Flange Gaskets - Mercury / Mariner

- 31300 OEM: 27-31402 For Early L4 & L6-Cyl.
- 31500 OEM: 27-48164-1 90, 115 HP, L6-Cyl.
- 31650 OEM: 27-63309 4.5, 7.5, 9.8 HP
- 31810 OEM: 27-73377-1 50, 60 HP, 3-Cyl.
- 31860 OEM: 27-75791-1 20, 25, 30, 40, 45 HP, 2 & 3-Cyl.

Carburetor Flange Gaskets - Force / Sport Jet

- 37400 OEM: 27-F440906 40-140 HP
 - 37150 OEM: 27-828925 75-95 HP
- Force / Sport Jet**
- 37380 OEM: 27-F433168 Carb. Adaptor Gasket - 20-50 HP
 - 37390 OEM: 27-F433406 Deflector Plate Gasket - 20-50 HP
 - 37420 OEM: 27-F481836 Carb. Intake Gasket - 55-95 HP

GLM Products, Inc.

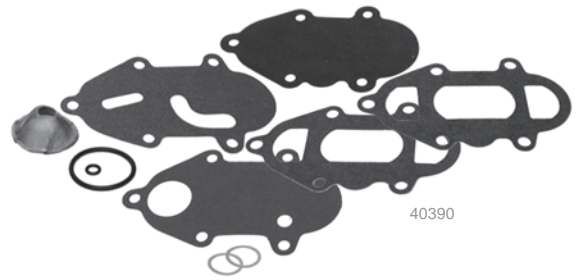
Check Valve Kits



40170	OEM: 21-13424A1	40220	OEM: 21-30430A8
40180	OEM: 21-30430A1	40230	OEM: 21-30430A11
40190	OEM: 21-30430A3	40240	OEM: 21-30430A12
40200	OEM: 21-30430A4	40250	OEM: 21-30430A13
40210	OEM: 21-30430A7	40260	OEM: 21-30430A14

www.glmmarine.com

Fuel Pump Diaphragm Kits



40860	OEM: 27-818043A1 Force 5-15 HP	40350	OEM: 89031A1
40870	OEM: N/A Force & Sport Jet	40360	OEM: 89031A2
40310	OEM: 23014A1	40370	OEM: 89031A3
40320	OEM: 55278A1	40380	OEM: 89031A4
40330	OEM: 55278A5	40390	OEM: 90363A1
40340	OEM: 55278A4	40290	OEM: 21-857005A1, 42909A4
		40300	OEM: 56678A1

FUEL SYSTEM KITS & COMPONENTS APPLICATION

Model	Year	Origin	Serial No. Range and/or Carburetor No.	Diaphragm Kit	Gasket Kit	Needle & Seat	Float	Check Valve Kit
3.9 (39)	1964-68		1655013-2498135 (KB-7A, KB-7B)	-	40435	40920	-	-
4 (40) (1-Cyl.)	1969-71	USA	2498136-4107219 (KB-10A)	-	40435	40920	-	-
4 (1-Cyl.)			(WMD-1)	-	40435	40910	-	-
4.5 (1-Cyl.)		USA	(KB-10A)	40920	40435	40435	-	-
4.5 (1-Cyl.)			(WMD-1)	-	40435	40910	-	-
6			(KB-6A, 6B)	-	40435	40920	-	N/A
6			(AJ-57A)	-	N.L.A.	40920	-	N/A
6			(WMC-5, 5A, 5B, 7, 7A, 17, 17B, 17C, 18, 18A, 18B, 19, 19A, 20, 20A, 20B)	40610	40610	-	-	N/A
6			(WMC-23, 28, 34, 39, 41, 41A, 47, 47A, 49, 49A, 57)	40610	40610	-	-	N/A
6	1986-98	USA	0A197112 & Up	40610	-	-	-	N/A
6	1986-98	BEL	9461526 & Up	40610	-	-	-	N/A
7.5 (7.5, 75)			(BB-2A, 2B, 2C, 4A, 5A, 5B, 5C, 5D, 7A, 7C)	40660	40460	40970	-	-
7.5 (7.5, 75)			(KB-9A, 12A)	-	40435	40920	-	-
7.5			(WMB-2, 4)	-	-	40970	-	-
8			(WMC-5, 5A, 5B, 7, 7A, 17, 17B, 17C, 18, 18A, 18B, 19, 19A, 20, 20A, 20B)	40610	40610	-	-	-
8			(WMC-23, 28, 34, 39, 41)	40610	40610	-	-	-
8	1986-98	USA	0A197112 & Up	40610	-	-	-	-
8	1986-98	BEL	9461526 & Up	40610	-	-	-	-
9.8 (9.8, 110)			(BB-1A, 1B, 1C, 3A, 3B, 3C, 6A, 6C)	40660	40460	40970	-	-
9.8 (9.8, 110)			(KB-5A, 8A, 11A)	N/A	40435	40920	-	-
9.8			(WMB-1, 3)	N/A	-	40970	-	-
9.9			(WMC-5, 5A, 5B, 7, 7A, 17, 17B, 17C, 18, 18A, 18B, 19, 19A, 20, 20A, 20B)	40610	40610	-	-	-
9.9			(WMC-23, 28, 34, 49, 41, 41A, 47, 47A, 49, 49A, 57)	40610	40610	-	-	-
9.9	1986-98	USA	0A197112 & Up	40610	-	-	-	-
9.9	1986-98	BEL	9461526 & Up	40610	-	-	-	-
10 (100)			(AJ-56AB)	N/A	N.L.A.	40920	-	-
10 (100)			(KB-1A, 4A)	N/A	40435	40920	-	-
10 (Sea Pro, Marathon)			(WMC-33, 33A, 40, 42, 50, 50A, 50B, 55, 55A)	40610	40610	-	-	-
10 (XR10, Magnum 10)			(WMC-23, 48, 48A, 49, 49A)	40610	40610	-	-	-
15 (150)			(KB-1A, 4A)	N/A	40435	40920	-	-
15			(WMC-5, 5A, 5B, 7, 7A, 17, 17B, 17C, 18, 18A, 18B, 19, 19A, 20, 20A, 20B)	40610	40610	-	-	-
15			(WMC-23, 28, 34, 39, 41, 41A, 47, 47A, 49, 49A, 57)	40610	40610	-	-	-
15	1988-98	USA	0B292414 & Up	40610	-	-	-	-
15	1988-98	BEL	9542620 & Up	40610	-	-	-	-
15 (Super 15, 15XD)			(WMC-13, 13A, 14, 14A, 15A, 16A, 24, 25, 26, 27, 29, 30, 31, 31A, 32, 32A, 35, 35A, 35B, 36, 37, 44, 45, 46, 46A, 52, 52A, 53, 53A, 54, 54A, 56, 56A)	40610	40610	-	-	-
15 (Sea Pro, Marathon)			(WMC-33, 33A, 40, 42, 50, 50A, 50B, 55, 55A)	40610	40610	-	-	-
18			(WMC-1, 2, 3, 4, 9, 10, 11, 12)	40610	40610	-	-	-
18			25, 26, 27, 29, 30, 31, 31A, 32, 32A, 35, 35A, 35B, 36, 37, 44, 45, 46, 46A, 52, 52A, 53, 53A, 54, 54A, 56, 56A)	40610	40610	-	-	-

FUEL SYSTEM KITS & COMPONENTS APPLICATION

Model	Year	Origin	Serial No. Range and/or Carburetor No.	Diaphragm Kit	Gasket Kit	Needle & Seat	Float	Check Valve Kit
20 (200)			(KA-22A, 22B, 22C, 23A, 25A) (WMC-13, 13A, 14, 14A, 15A, 16A, 24,	N/A	40435	40920	-	-
20 (200)	1966-67		1866496-2296266	40310	-	-	-	-
20 (20, 200)			(BA-1A, 2A, 2C, 2D, 2E)	40660	40460	-	-	-
20			(WMC-1, 2, 3, 4, 9, 10, 11, 12)	40610	40610	-	-	-
20			(WMC-13, 13A, 14, 14A, 15A, 16A, 24, 25, 26, 27, 29, 30, 31, 31A, 32, 32A, 35, 35A, 35B, 36, 37, 44, 45, 46, 46A, 52, 52A, 53, 53A, 54, 54A, 56, 56A)	40610	40610	-	-	-
20	1986-87	USA	6443973 & Up	40610	-	-	-	-
20	1986-87	BEL	9415101 & Up	40610	-	-	-	-
20	1986-87	CAN	7209533 & Up	40610	-	-	-	-
20 Jet	1994-98	USA	0G044027 and Up (WMC-45, 53A)	40610	40610	-	-	-
25 (2-Cyl.)			(WMC-1, 2, 3, 4, 9, 10, 11, 12)	40610	40610	-	-	-
25 (2-Cyl.)			(WMC-13, 13A, 14, 14A, 15A, 16A, 24, 25, 26, 27, 29, 30, 31, 31A, 32, 32A, 35, 35A, 35B, 36, 37, 44, 45, 46, 46A, 52, 52A, 53, 53A, 54, 54A, 56, 56A)	40610	40610	-	-	-
25	1984-87	USA	6443973 & Up	40610	-	-	-	-
25	1984-87	BEL	9415101 & Up	40610	-	-	-	-
25	1984-87	CAN	7209533 & Up	40610	-	-	-	-
30 (300) (4-Cyl.)			(AJ-54A)	N/A	N.L.A.	40920	-	-
30 (300) (4-Cyl.)			(KB-2A)	N/A	40435	40920	-	-
20 (2-Cyl.) (644cc)	1994-98		0G053314 & Up (WME-36, 36A, 37, 39A, 42, 42A, 63, 64, 65, 66, 67	40290	40490	40950	-	-
30 Jet (4-Cyl.)			(WMA-10, 13)	N/A	40440	40950	-	-
30 Jet (3-Cyl.)			(WME-53, 68, 69)	N/A	40490	40950	-	-
30 Jet	1994-97		0C159200 & Up	N/A	40290	-	-	-
30 Jet	1998		G590000 & Up	N/A	40290	-	-	-
35 (350)	1966-69		1960827-2874703	40310	40180	-	-	-
35 (350) (4-Cyl.)			(AJ-54A)	N/A	N.L.A.	40920	-	-
35 (350) (4-Cyl.)			(KB-2A)	N/A	40435	40920	-	-
35 (2-Cyl.)			(KC-4A, 8A, 9A, 9B, 9C, 13A)	N/A	40435	40910	-	-
35	1984-86	USA	6445653-0B110788	40320	-	-	-	40170
35	1984-86	BEL	9384476 & Up	40320	-	-	-	40170
35	1984-86	CAN	209608 & Up	40320	-	-	-	40170
35	1987-89	USA	0B110789 & Up	40290	-	-	-	N/A
35	1987-89	BEL	9384476 & Up	40290	-	-	-	N/A
40 (400) (4-Cyl.)			(KA-2A, 9A)	N/A	40435	40920	-	-
40 (40, 400, 402) (2-Cyl.)			(KD-5A)	N/A	40401	40920	-	-
40 (40, 400, 402) (2-Cyl.)			(WMC-1, 8, 21, 24, 31, 33, 34, 38)	N/A	40401	40910	-	-
40 (40, 400, 402) (2-Cyl.)	1970-79	USA	2874704-5556229	40320	-	-	-	-
40 (40, 400, 402) (2-Cyl.)	1972-79	AUS	8002335-8064749	40320	-	-	-	-
40 (40, 400, 402) (2-Cyl.)	1972-79	BEL	3339688-9251455	40320	-	-	-	-
40 (40, 400, 402) (2-Cyl.)	1972-79	CAN	3340783-7144762	40320	-	-	-	-
40 (2-Cyl.) (644cc)			(WME-36, 36A, 37, 37A, 38 39A, 42, 42A, 63, 64, 65, 66, 67	N/A	40490	40950	-	-
40 (2-Cyl.) (644cc)	1994-98	USA	0G053314 and Up	40290	-	-	-	N/A
40 (3-Cyl.)			(WME-53, 68, 69)	N/A	40490	40950	-	-
40 (3-Cyl.)	1997-98	USA	0G531301 & Up	40290	-	-	-	N/A
40 (3-Cyl.)	1997-98	BEL	9973100 & Up	40290	-	-	-	N/A
40 (4-Cyl.)			(WMA-4)	40640	40640	40970	-	-
40 (4-Cyl.)			(WMA-7B)	N/A	40440	40950	-	-
40 (4-Cyl.)			(WMA-9, 10, 13)	N/A	40440	40950	-	-
40 (4-Stroke)	1998	USA	0G231123 & Up	N/A	N.L.A.	40960	-	-
45 (450) (4-Cyl.)			KA-17A	N/A	40435	40920	-	-
45 (4-Cyl.)			(WMA-4)	40640	40640	40970	-	-
45 (4-Cyl.)			(WMA-7B)	N/A	40440	40950	-	-
45 (4-Cyl.)			(WMA-9, 10, 13)	N/A	40440	40950	-	-
45 (4-Cyl.)	1987-89	USA	0B110789 & Up	40290	-	-	-	N/A
45 (4-Cyl.)	1987-89	BEL	9466692 & Up	40290	-	-	-	N/A
45 (4-Stroke, Bodensee)	1996-98	USA	0G231123 & Up	N/A	N.L.A.	40960	-	-
45 Jet (3-Cyl.)			(WME-57, 78)	N/A	40490	40950	-	-
45 Jet	1994-95	USA	6428681-0B122929	40320	-	-	-	N/A
45 Jet	1994-95	USA	0B122930 & Up	40290	-	-	-	N/A
50 (50, 500) (4-Cyl.)	1967-75	USA	2116318-4357639	40310	-	-	-	-
50 (50, 500) (4-Cyl.)	1971-75	AUS	2863739-8030089	40310	-	-	-	-
50 (50, 500) (4-Cyl.)	1971-75	BEL	9001581-9107213	40310	-	-	-	-
50 (50, 500) (4-Cyl.)	1967-75	CAN	2097445-7068997	40310	-	-	-	-
50 (4-Cyl.)			(KA-13A, 18A, 19A, 21A, 21B, 21C, 21D, 24A, 26A, 26B, 27A)	N/A	40435	40920	-	-
50 (4-Cyl.)			(BA-3A, 3B, 3C, 3D, 4A)	40660	40460	40970	-	-
50 (4-Cyl.)			(WMA-1, 3)	40640	40640	40970	-	-
50 (4-Cyl.)			(WMC-8)	N/A	40401	40910	-	-
50 (3-Cyl.)			(WM-13, 13A, 15, 15A, 16, 16A, 18)	N/A	40410	40930	-	-
50 (3-Cyl.)			(WME-22, 22B, 23, 24, 26, 27, 28, 35, 43, 44, 45, 53, 68, 69)	N/A	40490	40950	-	-
50 (3-Cyl.)	1986-87	USA	6428681-0B122929	40320	-	-	-	N/A
50 (3-Cyl.)	1986-87	BEL	9385911-9469199	40320	-	-	-	N/A
50 (3-Cyl.)	1986-87	CAN	7208333-0A721307	40320	-	-	-	N/A

GLM Products, Inc.

FUEL SYSTEM KITS & COMPONENTS APPLICATION

Model	Year	Origin	Serial No. Range and/or Carburetor No.	Diaphragm Kit	Gasket Kit	Needle & Seat	Float	Check Valve Kit
50 (3-Cyl.)	1988-90	USA	0B122930 & Up	40290	-	-	-	N/A
50 (3-Cyl.)	1988-90	BEL	9469200 & Up	40290	-	-	-	N/A
50 (3-Cyl.)	1988-90	CAN	0A721308 & Up	40290	-	-	-	N/A
50 (3-Cyl.)	1998	USA	0G590000 & Up	40290	-	-	-	N/A
50 (3-Cyl.)	1998	BEL	9973100 & Up	40290	-	-	-	N/A
50 (4-Stroke)	1995-98	USA	0G231123 & Up	N/A	N.L.A.	40960	-	-
55			(WM-13, 13A, 15, 15A, 16, 16A, 18)	N/A	40410	40930	-	-
55			(WME-22, 22B, 23, 24, 26, 27, 28 35, 43, 44, 45, 57, 58)	N/A	40490	40950	-	-
55 (3-Cyl.)	1996-97	USA	0D000750 & Up	40290	-	-	-	N/A
55 (3-Cyl.)	1996-97	BEL	9741042 & Up	40290	-	-	-	N/A
60 (600) (6-Cyl.)			(KB-3A)	N/A	40435	40920	-	-
60 (3-Cyl.)			(WM-13, 13A, 15, 15A, 16, 16A, 18)	N/A	40410	40930	-	-
60 (3-Cyl.)			(WME-22, 22B, 23, 24, 26, 27, 28, 35, 43, 44, 45, 57, 58)	N/A	40490	40950	-	-
60 (3-Cyl.)	1984-87	USA	6428681-0B122929	40320	-	-	-	N/A
60 (3-Cyl.)	1984-87	BEL	9385911-9469199	40320	-	-	-	N/A
60 (3-Cyl.)	1984-87	CAN	7208333-0A721307	40320	-	-	-	N/A
60 (3-Cyl.)	1988-90	USA	0B122930 & Up	40290	-	-	-	N/A
60 (3-Cyl.)	1988-90	BEL	9469200 & Up	40290	-	-	-	N/A
60 (3-Cyl.)	1988-90	CAN	0A721308 & Up	40290	-	-	-	N/A
65 (650) (4-Cyl.)			(KC-2A, 5A, 5B, 5C, 11A, 15A)	N/A	40435	40920	-	-
65 (650) (4-Cyl.)	1967-69		2119749-2803561	40310	-	-	-	40180
65 (650) (4-Cyl.)	1970-71		2803562-3293183	40300	-	-	-	40200
65 (650) (3-Cyl.)			(WMK-5, 12, 13, 20)	N/A	40401	40910	-	-
65 (650) (3-Cyl.)			(WM-2)	N/A	40410	40910	-	-
65 (650) (3-Cyl.)			(WM-4)	N/A	40410	40910	-	-
65 (650) (3-Cyl.)	1972-76	USA	3293184-4571651	40300	-	-	-	40190
65 (650) (3-Cyl.)	1973-83	AUS	8006640 & Up	40300	-	-	-	40190
65 (650) (3-Cyl.)	1973-76	BEL	9020074-9135824	40300	-	-	-	40190
65 (650) (3-Cyl.)	1973-76	CAN	7013633-7087822	40300	-	-	-	40190
65 Jet (3-Cyl.)			(WME-29, 30, 41, 46, 47, 48, 49, 59, 60, 61, 62, 75, 76, 77, 78, 82, 83, 84, 87, 88)	N/A	40490	40950	-	-
65 Jet	1994-98	USA	00283222 & Up	40290	-	-	-	N/A
70 (700) (6-Cyl.)			(KA-8A, 12A)	N/A	40435	40920	-	N/A
70 (3-Cyl.)			(WM-6, 8, 9, 11)	N/A	40410	40910	-	-
70 (3-Cyl.)			(WME-1, 1A, 1B, 4, 5, 6, 6A, 7, 7B, 8, 9, 10, 10A, 15, 15A, 17, 18, 19, 25)	N/A	40490	40950	-	-
70 (3-Cyl.)	1977-83	USA	4571652-6428680	40340	-	-	-	40170
70 (3-Cyl.)	1977-83	AUS	8042350 & Up	40340	-	-	-	40170
70 (3-Cyl.)	1977-83	BEL	9135825-9385910	40340	-	-	-	40170
70 (3-Cyl.)	1977-83	CAN	7087823-7208332	40340	-	-	-	40170
70 (3-Cyl.)	1987	USA	0A996142 & Up	40280	-	-	-	N/A
70 (3-Cyl.)	1987	BEL	9483121 & Up	40280	-	-	-	N/A
75 (4-Cyl.)			(WM-14, 17)	N/A	40410	40930	-	-
75 (4-Cyl.) use w/ triangular pump	1984-88	USA	6432901 & Up	40330	-	-	-	40250
75 (4-Cyl.) use w/ triangular pump	1984-88	BEL	9393856 & Up	40330	-	-	-	40250
75 (4-Cyl.) use w/ triangular pump	1984-88	CAN	7208573 & Up	40300	-	-	-	40250
75 (4-Cyl.) use w/ square pump	1984-88	USA	6432901 & Up	40290	-	-	-	N/A
75 (4-Cyl.) use w/ square pump	1984-88	BEL	9393856 & Up	40290	-	-	-	N/A
75 (4-Cyl.) use w/ square pump	1984-88	CAN	7208573 & Up	40290	-	-	-	N/A
75 (3-Cyl.)			(WME-1, 1A, 1B, 4, 5, 6, 6A, 7, 7B, 8, 9 10, 10A, 15, 15A, 17, 18, 19, 25, 29, 30, 31, 41, 46, 47, 48, 49, 59, 60, 61, 62, 75, 76, 77, 78, 82, 83, 84, 87, 88)	N/A	40490	40950	-	-
75 (3-Cyl.)	1990-98	USA	0C222000 & Up	40280	-	-	-	N/A
75 (3-Cyl.)	1990-98	BEL	9589039 & Up	40280	-	-	-	N/A
75 (3-Cyl.)	1990-98	USA	0C222000 & Up	40290	-	-	-	N/A
75 (3-Cyl.)	1990-98	BEL	9589039 & Up	40290	-	-	-	N/A
80 (800) (6-Cyl.)			KA-10A, 11A, 14A, 16A, KC-3A	N/A	40435	40920	-	-
80 (800) (4-Cyl.)	1969-72		2559001-2670574	40310	-	-	-	40180
80 (800) (4-Cyl.)	1969-72		2783253-2856331	40300	-	-	-	40190
80 (80, 800) (4-Cyl.)			(KD-4A)	N/A	40401	40910	-	-
80 (80, 800) (4-Cyl.)			(WM-5, 10, 12, 14, 17)	N/A	40410	40910	-	-
80 (80, 800) (4-Cyl.)	1978-83	USA	4831999-6432900	40330	-	-	-	40250
80 (80, 800) (4-Cyl.)	1978-83	AUS	8050200 & Up	40330	-	-	-	40250
80 (80, 800) (4-Cyl.)	1978-83	BEL	9177626-9393855	40330	-	-	-	40250
80 (80, 800) (4-Cyl.)	1978-83	CAN	7110998-7208572	40330	-	-	-	40250
80 (3-Cyl.)			(WME-1, 1A, 1B, 4, 5, 6, 6A, 7, 7B, 8, 9, 10, 10A, 15, 15A, 17, 18, 19, 25)	N/A	40490	40950	-	-
80 (3-Cyl.)	1987	USA	0A996142 & Up	40280	-	-	-	N/A
80 (3-Cyl.)	1987	BEL	9483121 & Up	40280	-	-	-	N/A
80 Jet (4-Cyl.)	1994-98		(WM-32, 32A, 50, 79)	N/A	40490	40950	-	-
80 Jet	1994-98		0D283222 & Up	40290	-	-	-	N/A
85 (850) (6-Cyl.)			(KA-10A, 11A, 14A, 16A, KC-3A)	N/A	40435	40920	-	-
85 (850) (4-Cyl.)			(WM-3, 5)	N/A	40410	40910	-	-
85 (850) (4-Cyl.)			(WMK-4, 16, 17)	N/A	40401	40910	-	-
85 (850) (4-Cyl.)	1973-77	USA	3493913-4831998	40330	-	-	-	40250
85 (850) (4-Cyl.)	1973-77	AUS	8005440-8050199	40330	-	-	-	40250
85 (850) (4-Cyl.)	1973-77	BEL	9011604-9177625	40330	-	-	-	40250

FUEL SYSTEM KITS & COMPONENTS APPLICATION

Model	Year	Origin	Serial No. Range and/or Carburetor No.	Diaphragm Kit	Gasket Kit	Needle & Seat	Float	Check Valve Kit
85 (850) (4-Cyl.)	1973-77	CAN	7010108-7110997	40330	-	-	-	40250
90 (900) (6-Cyl.)			(KC-6A)	N/A	40435	40920	-	-
90 (90, 900) (6-Cyl.)			(WMK-23, 27, 30, 35, 39)	N/A	40401	40910	-	-
90 (90, 900) (6-Cyl.)	1978-79	USA	4845301-5299505	40350	-	-	-	40210
90 (90, 900) (6-Cyl.)	1978-79	CAN	7111698-7123762	40350	-	-	-	40210
90 (6-Cyl.) use w/ triangular pump	1979-86	USA	5299506 & Up	40370	-	-	-	40260
90 (6-Cyl.) use w/ triangular pump	1979-83	AUS	8060545 & Up	40370	-	-	-	40260
90 (6-Cyl.) use w/ triangular pump	1979-86	CAN	7147088 & Up	40370	-	-	-	40260
90 (6-Cyl.) use w/ square pump	1979-86	USA	5299506 & Up	40290	-	-	-	N/A
90 (6-Cyl.) use w/ square pump	1979-83	AUS	8060545 & Up	40290	-	-	-	N/A
90 (6-Cyl.) use w/ square pump	1979-86	CAN	7147088 & Up	40290	-	-	-	N/A
90 (3-Cyl.)			(WME-1, 1A, 1B, 4, 5, 6, 6A, 7, 7B, 8, 9, 10, 10A, 15, 15A, 17, 18, 19, 25, 29, 30, 31, 41, 46, 47, 48, 49, 59, 60, 61, 62, 75, 76, 77, 78, 82, 83, 84, 87, 88)	N/A	40490	40950	-	-
90 (3-Cyl.)	1987	USA	0A996142 & Up	40290	-	-	-	N/A
90 (3-Cyl.)	1987	BEL	9483121 & Up	40290	-	-	-	N/A
90 (3-Cyl.)	1987	USA	0A996142 & Up	40280	-	-	-	N/A
90 (3-Cyl.)	1987	BEL	9483121 & Up	40280	-	-	-	N/A
95 (950) (6-Cyl.)			(KC-6A)	N/A	40435	40920	-	-
95 (950) (6-Cyl.)	1966-67		1869776-2318585	40310	-	-	-	40180
100 (1000) (6-Cyl.)			(KC-1A, 7A, 7B, 10A, 14A)	N/A	40435	40920	-	-
100 (1000) (6-Cyl.)			(KD-1A, 1B, 2A, 3A)	N/A	40401	40910	-	-
100 (1000SS/BP) (6-Cyl.)	1968-69		2318586-3253111	40310	-	-	-	40180
100 (4-Cyl.)			(WME-11, 14, 20, 20A, 21, 21A, 32, 32A, 50, 79)	N/A	40490	40950	-	-
100 (4-Cyl.)	1988-93	USA	0B209468-0D283221	40280	-	-	-	N/A
100 (4-Cyl.)	1988-93	BEL	9523034-9793576	40280	-	-	-	N/A
100 (4-Cyl.)	1988-93	USA	0B209468-0D283221	40290	-	-	-	N/A
100 (4-Cyl.)	1988-93	BEL	9523034-9793576	40290	-	-	-	N/A
100 (4-Cyl.)	1994-98	USA	0D283222 & Up	40290	-	-	-	N/A
100 (4-Cyl.)	1994-98	BEL	9793577 & Up	40290	-	-	-	N/A
110 (1100) (6-Cyl.)			(KC-1A, 7A, 7B, 10A, 14A)	N/A	40435	40920	-	-
110 (1100) (6-Cyl.)	1966-67		1870204-2314955	40310	-	-	-	40180
115 (1150) (6-Cyl.)	1970-77	USA	2836019-4855152	40320	40190	-	-	-
115 (1150) (6-Cyl.)	1973-77	AUS	8008665-8051949	40320	40190	-	-	-
115 (1150) (6-Cyl.)	1973-77	CAN	7010763-7112248	40320	40190	-	-	-
115 (115, 1150) (6-Cyl.)			(KD-6A, 6B)	N/A	40401	40910	-	-
115 (115, 1150) (6-Cyl.)			(WMK-3, 10, 15, 18, 26, 28, 32, 36, 40, 41)	N/A	40401	40910	-	-
115 (115, 1150) (6-Cyl.)	1978-79	USA	4855153-5314655	40350	40210	-	-	-
115 (115, 1150) (6-Cyl.)	1978-79	AUS	8051950-8061119	40350	40210	-	-	-
115 (115, 1150) (6-Cyl.)	1978-79	CAN	7112248-7131212	40350	40210	-	-	-
115 (115, 1150) (6-Cyl.) use w/ triangular pump	1979-88	USA	5314656 & Up	40370	-	-	-	40260
115 (115, 1150) (6-Cyl.) use w/ triangular pump	1979-83	AUS	8061120 & Up	40370	-	-	-	40260
115 (115, 1150) (6-Cyl.) use w/ triangular pump	1979-88	CAN	7131213 & Up	40370	-	-	-	40260
115 (115, 1150) (6-Cyl.) use w/ square pump	1979-88	USA	5314656 & Up	40290	-	-	-	N/A
115 (115, 1150) (6-Cyl.) use w/ square pump	1979-83	AUS	8061120 & Up	40290	-	-	-	N/A
115 (115, 1150) (6-Cyl.) use w/ square pump	1979-88	CAN	7131213 & Up	40290	-	-	-	N/A
115 (4-Cyl.)			(WME-11, 14, 20, 20A, 21, 21A, 33, 40, 40A)	N/A	40490	40950	-	-
115 (4-Cyl.)	1989-93	USA	0C100000-0D283221	40280	-	-	-	N/A
115 (4-Cyl.)	1989-93	BEL	9559771-9793576	40280	-	-	-	N/A
115 (4-Cyl.)	1989-93	USA	0C100000-0D283221	40290	-	-	-	N/A
115 (4-Cyl.)	1989-93	BEL	9559771-9793576	40290	-	-	-	N/A
115 (4-Cyl.)	1994-98	USA	0D283222 & Up	40290	-	-	-	N/A
115 (4-Cyl.)	1994-98	BEL	9793577 & Up	40290	-	-	-	N/A
125 (1250) (6-Cyl.)			(KD-1A, 1B, 2A, 3A)	N/A	40401	40910	-	-
125 (1250) (6-Cyl.)	1968-69		2314956-2839368	40310	-	-	-	40180
125 (1250BP) (6-Cyl.)	1968		2400058-2641954	40310	-	-	-	40180
125 (4-Cyl.)			(WME-34, 52, 81)	N/A	40490	40950	-	-
125 (4-Cyl.)	1994-98		0D283222 & Up	40290	-	-	-	N/A
135 (1350) (6-Cyl.)			(KD-7A, 7B)	N/A	40401	40910	-	-
135 (1350) (6-Cyl.)			(WMK-4)	N/A	40401	40910	-	-
135 (1350) (6-Cyl.)	1969		2839369-3293233	40320	-	-	-	40190
140 (1400) (6-Cyl.)	1970-71		3293234-3502805	40320	-	-	-	40190
140 (140, 1400) (6-Cyl.)			(WMK-7, 9, 25, 29)	N/A	40401	40910	-	-
140 (140, 1400) (6-Cyl.)	1978-79	USA	4865678-5327662	40350	-	-	-	40210
140 (140, 1400) (6-Cyl.)	1978-79	AUS	8052650-8052879	40350	-	-	-	40210
140 (140, 1400) (6-Cyl.)	1978-79	CAN	7112773-7132512	40350	-	-	-	40210
140 (6-Cyl.)	1980-81	USA	5327663 & Up	40370	-	-	-	40260
140 (6-Cyl.)	1981	AUS	8066065 & Up	40370	-	-	-	40260
140 (6-Cyl.)	1980-81	CAN	7132513 & Up	40370	-	-	-	40260
150 (1500) (6-Cyl.)			(WMK-11, 14, 19, 22)	N/A	40401	40910	-	-
150 (1500) (6-Cyl.)	1973-77	USA	3502806-4865677	40320	-	-	-	40190
150 (1500) (6-Cyl.)	1973-77	AUS	8005615-8052649	40320	-	-	-	40190
150 (1500) (6-Cyl.)	1973-77	CAN	7010533-7112772	40320	-	-	-	40190
150 (1500XS) (6-Cyl.)	1978	USA	4868648-5327662	40360	-	-	-	40220
V-105 Jet	1994-95	USA	0D08200-0G303045 (WMH-13, 138, 23, 31)	-	40620	40940	-	-
V-105 Jet	1996 & Up	USA	0G303046 & Up (WMV-2, 2A)	-	40630	40940	-	-
V-135 use w/ triangular pump	1986-88	USA	0A904646-0C100860 (WH-33, 40)	40360	40420	40900	-	40220
V-135 use w/ square pump	1986-88	USA	0A904646-0C100860 (WH-32, 35, 38)	40290	40420	40900	-	N/A
V-135 use w/ triangular pump	1989-90	USA	0C100861-0C239552 (WH-35, 38)	40360	40420	40900	-	40220

GLM Products, Inc.

FUEL SYSTEM KITS & COMPONENTS APPLICATION

Model	Year	Origin	Serial No. Range and/or Carburetor No.	Diaphragm Kit	Gasket Kit	Needle & Seat	Float	Check Valve Kit
V-135 use w/ square pump	1989-90	USA	0C100861-0C239552 (WH-40, 48)	40290	40420	40900	-	N/A
V-135	1991	USA	0C239553-0D081999 (WMH-8, 8A)	40360	40620	40940	-	40220
V-135 use w/ triangular pump	1992-95	USA	0D082000-0G303045 (WMH-12A, 12B)	40360	40620	40940	-	40220
V-135 use w/ square pump	1992-95	USA	0D082000-0G303045 (WMH-28, 30)	40290	40620	40940	-	N/A
V-135	1996-98	USA	0G303046-0G760299 (WMV-1, 1A)	40360	40630	40940	-	40220
V-135	-	USA	0G760300 & Up (WMV-1A)	40360	40630	40940	-	40220
V-135 DFI	1998	USA	0G590000 & Up	40290	-	-	-	N/A
V-140 Jet	1994-95	USA	0G082000-0G303045 (WMH-16, 21, 34, 39)	-	40620	40940	-	-
V-140 Jet	1996-98	USA	0G303046-0G760299 (WMV-5, 5A)	-	40630	40940	-	-
V-140 Jet	1996-98	USA	0G760300 & Up (WMV-5A)	-	40630	40940	-	-
V-150 (1500) use w/ triangular pump	1978-85	USA	4868998 & Up	40360	-	-	-	40220
V-150 (1500) use w/ square pump	1978-85	USA	4868998 & Up	40290	-	-	-	N/A
V-150 (150, 1500)	1978-88	USA	ALL (WH-9)	-	40420	-	-	-
V-150 (150, 1500)	1978-88	USA	ALL (WH-12)	-	40420	40900	-	-
V-150 (150, 1500)	1978-88	USA	ALL (WH-29)	-	40420	40900	-	-
V-150	1986-88	USA	0A904646-0C239552 (WH-35, 38, 40, 48)	-	40420	40900	-	-
V-150	1991	USA	0C239553-0D081999 (WMH-1, 7)	-	40620	40940	-	-
V-150	1992-95	USA	0D082000-0G303045 (WMH-13, 13B, 23, 31)	-	40620	40940	-	-
V-150	1996-98	USA	0G303046-0G760299 (WMV-2, 2A)	-	40630	40940	-	-
V-150	-	USA	0G760300 & Up (WMV-3A)	-	40630	40940	-	-
V-150 DFI	1998	USA	0G590000 & Up	40290	-	-	-	N/A
V-150 EFI	1993-98	USA	ALL	40290	-	-	-	N/A
V-150 (XR4, MAG II)	1988	USA	0B242885-0C100860 (WH-41A)	40290	40420	40900	-	N/A
V-150 (XR4, MAG II)	1989	USA	0C100861-0C239552 (WH-41, 41A)	40290	40420	40900	-	N/A
V-150 (XR4, MAG II)	1991	USA	0C239553-0D081999 (WMH-6)	40290	40620	40940	-	N/A
V-150 (XR4, MAG III)	1992-85	USA	0D082000-0G303045 (WMH-14A, 25, 32A)	40290	40620	40940	-	-
V-150 (XR4, MAG III)	1996-98	USA	0G303046-0G760299 (WMV-3, 3A)	40290	40630	40940	-	-
V-150 (XR4, MAG III)	1996-98	USA	0G762000 & Up (WMV-3A)	40290	40630	40940	-	-
V-175 (175, 1750) triangular pump	1976-88	USA	4301235-0C100860 (WH-13)	40290	40420	40900	-	N/A
V-175 (175, 1750) triangular pump	1976-79	AUS	8058870-8064249 (WH-13)	40290	40420	40900	-	N/A
V-175 (175, 1750) square pump	1976-88	USA	4301235-0C100860 (WH-1, 4, 7, 28, 39, 46)	40360	40420	40900	-	40220
V-175 (175, 1750) square pump	1976-79	AUS	8058870-8064249 (WH-13)	40360	40420	-	-	40220
V-175 (175, 1750) triangular pump	1976-88	USA	4301235-0C100860 (WH-7A)	40290	40420	-	-	N/A
V-175 (175, 1750) triangular pump	1976-79	AUS	8058870-8064249 (WH-7A)	40290	40420	40900	-	N/A
V-175 (175, 1750) square pump	1976-88	USA	4301235-0C100860 (WH-17)	40360	40420	40900	-	40220
V-175 (175, 1750) square pump	1976-79	AUS	8058870-8064249 (WH-17)	40360	40420	40900	-	40220
V-175 (175, 1750) triangular pump	1976-88	USA	4301235-0C100860 (WH-17R, 30, 34)	40290	40420	40900	-	N/A
V-175 (175, 1750) triangular pump	1976-79	AUS	8058870-8064249 (WH-17R, 30, 34)	40290	40420	40900	-	N/A
V-175	1989-90	USA	0C100861-0C239552 (WH-34)	-	40420	40900	-	-
V-175	1991	USA	0C239553-0D081999 (WMH-2, 11)	-	40620	40940	-	-
V-175	1992-95	USA	0D082000-0G303045 (WMH-15, 22, 33)	-	40620	40940	-	-
V-175	1996-98	USA	0G303046-0G760299 (WMV-4, 4A)	-	40630	40940	-	-
V-175	1991	USA	0G760300 & Up (WMV-4A)	-	40630	40940	-	-
V-175	1991	USA	0G760300 & Up	-	40420	40900	-	-
V-175 EFI	1991-98	USA	ALL	40290	-	-	-	N/A
V-200 EFI	1989-98	USA	ALL	40290	-	-	-	N/A
V-200 (200, 2000)	1978-88	USA	4839034-0C100860 (WH-3)	40360	40420	40900	-	40220
V-200 (200, 2000)	1980-81	AUS	8061595-8065672 (WH-3)	40360	40420	40900	-	40220
V-200 (200, 2000)	1978-88	USA	4839034-0C100860 (WH-3A, 11)	40360	40420	-	-	40220
V-200 (200, 2000)	1980-81	AUS	8058870-8065672 (WH-3A, 11)	40360	40420	-	-	40220
V-200 (200, 2000)	1978-88	USA	4839034-0C100860 (WH-14, 16, 18, 20, 28, 39, 46)	40360	40420	40900	-	40220
V-200 (200, 2000)	1980-81	AUS	8058870-8065672 (WH-14, 16, 18, 20, 28, 39, 46)	40360	40420	40900	-	40220
V-200	1989-90	USA	0C100861-0C291519 (WH-46)	-	40420	40900	-	-
V-200	1991	USA	0C291520-0D081999 (WMH-3)	-	40620	40940	-	-
V-200	1992-95	USA	0D082000-0G303045 (WMH-16, 21, 34, 39)	-	40620	40940	-	-
V-200	1996-98	USA	0G303046-0G760299 (WMV-5, 5A)	-	40630	40940	-	-
V-200	1996-98	USA	0G760300 & Up (WMV-5A)	-	40630	40940	-	-
V-200	1982-83	USA	6073192-6357229	40390	-	-	-	40230
V-200	1983-84	USA	6357230-6625220	40380	-	-	-	40240
V-200	1985-88	USA	6625221 & Up	40290	-	-	-	N/A
V-200 DFI	1998	USA	0G590000 & Up	40290	-	-	-	N/A
V-220 Laser	1987-88	USA	0B117316 & Up	40290	-	-	-	N/A
V-225 (2.4L)	1980-81	USA	5628028 & Up (WH-5, 20)	40390	40420	40900	-	40230
V-225 (3.0L)	1994-98	USA	0D280813-0G303045 (WMH-19, 46, 47)	40290	40620	40940	-	N/A
V-225 (3.0L)	1994-98	USA	0G303046-0G760299 (WMV-7, 13)	40290	40630	40940	-	N/A
V-225 (3.0L)	1994-98	USA	0G76300 & Up (WMV-13)	40290	40630	40940	-	N/A
V-225 (3.0L) Sea Pro, Marathon	1994-98	USA	0G245605-0G303045 (WMH-45)	40290	40620	40940	-	N/A
V-225 (3.0L) Sea Pro, Marathon	1994-98	USA	0G303046-0G760299 (WMH-6, 11A)	40290	40630	40940	-	N/A
V-225 (3.0L) Sea Pro, Marathon	1994-98	USA	ALL (WMV-11)	40290	40630	40940	-	N/A
V-225 (3.0L) Sea Pro, Marathon	1994-98	USA	0G760300 & Up (WMV-11A)	40290	40630	40940	-	N/A
V-250 (275) (3.4L)	1989-94	USA	0C101891 & Up (WD-8A, 9, 9A)	40290	-	-	-	N/A
V-225 DFI (3.0L)	1998	USA	0G590000 & Up	40290	-	-	-	N/A
V-225 EFI (3.0L)	1995-98	USA	0G129222 & Up	40290	-	-	-	N/A
V-250 EFI (3.0L)	1995-98	USA	0G129222 & Up	40290	-	-	-	N/A
V-275 (3.4L)	1989-94	USA	0C101891 & Up	40290	-	-	-	N/A
V-300 (3.4L)	1980-87	USA	5611648 & Up (WD-3, 5)	40360	-	-	-	40220

TOC

Manifolds-Merc.

Manifolds-OMC

Manifolds-Volvo

Manifolds-Barr

MerCruiser

Merc/Mar/For

OMC/Volvo

Johnson/Evin

Yamaha

Index / X-Ref.

Warranty

Tune-Up Kits



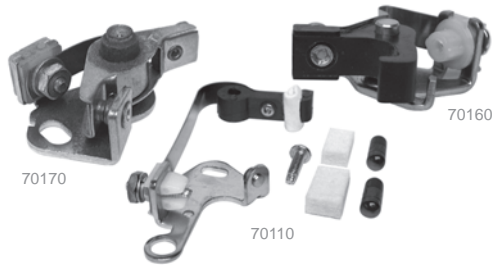
- 72990** OEM: N/A Includes: 70160 (2) + 70680 (2)
- 72980** OEM: N/A Includes: 70170 (2) + 70670 (2)
- 72970** OEM: N/A Includes: 70110 (2) + 70660 (2)

Condensers



- 70680** OEM: 398-693
- 70670** OEM: 398-2203
- 70660** OEM: 394-1130A1

Point Sets



- 70160** OEM: 398-174
- 70170** OEM: 398-2202
- 70110** OEM: 394-1100A3

Ignition Coils



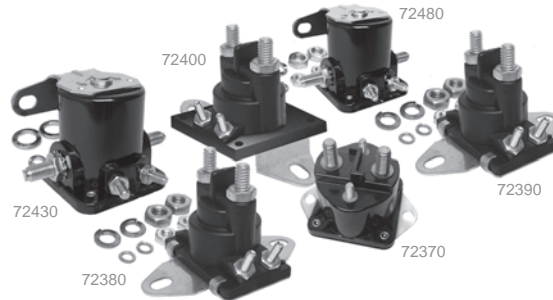
- 72110** OEM: 392-806529A1
- 72120** OEM: 398-173

Rotor Shaft Bearings



- 28180** OEM: 30-26379
- 28190** OEM: 30-20066

Solenoids



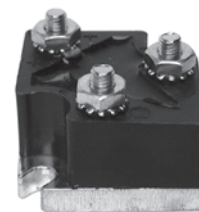
- 72480** OEM: 25661T1
- 72430** OEM: 47886
- 72390** OEM: 89-96054T w/ Flat Base
- 72370** OEM: 89-853654A1
- 72400** OEM: 89-96158T w/ Bent Base
- 72380** OEM: 89-818999A2
- 72370** OEM: 89-853654A1

Power Trim Relay



- 73040** OEM: 882751A1

Rectifier



- 72310** OEM: 882751A1

GLM Products, Inc.

IGNITION SYSTEM APPLICATION

Model	Year	Origin	Serial No. Range	Points	Condenser	Ignition Coil	Tune-Up Kit
3.5 (KF3) (Phelon ignition)	-	-	358136-358615	70160	70680	72120	72990
3.5 (KF3) (Scintilla ignition)	-	-	358136-358615	70160	70680	N.L.A.	72990
3.9 (3.9)	1964-68	-	1655013-2498155	70170	70670	-	72980
4 (1-Cyl.)	1969-71	USA	2498136-2693114	70170	70670	-	72980
5 (KF5) (Phelon ignition)	-	-	338136 and Up	70160	70680	72120	72990
5 (KF5) (Scintilla ignition)	-	-	338136 and Up	70160	70680	N.L.A.	72990
5 (MARK 5) (Phelon ignition)	-	-	574128-786612	70160	70680	72120	72990
5 (MARK 5) (Scintilla ignition)	-	-	574128-786612	70160	70680	N.L.A.	72990
5.9 (MARK 6) (Phelon ignition)	-	-	888005-1134535	70160	70680	72120	72990
5.9 (MARK 6) (Scintilla ignition)	-	-	888005-1134535	70160	70680	N.L.A.	72990
6 (MARK 6A) (Phelon ignition)	-	-	1184570 and Up	70160	70680	72120	72990
6 (MARK 6A) (Scintilla ignition)	-	-	1184570 and Up	70160	70680	N.L.A.	72990
6 (60)	1963-65	-	1408611-1610264	70160	70680	72120	72990
6 (60)	1966-68	-	1610265-2529894	70170	70670	-	72980
7.5 (KE4, KG4, MARK 7) (Phelon ignition)	-	-	214324 and Up	70160	70680	72120	72990
7.5 (KE4, KG4, MARK 7) (Scintilla ignition)	-	-	214324 and Up	70160	70680	N.L.A.	72990
7.5 (75)	-	-	2529895-2721150	70170	70670	-	72980
9.8 (110)	1963-67	-	1470349-1865778	70160	70680	72120	72990
9.8 (110)	1966-69	-	1865778-2708898	70170	70670	-	72980
10 (KE7, KF7, KG7) (Phelon ignition)	-	-	All	70160	70680	72120	72990
10 (KE7, KF7, KG7) (Scintilla ignition)	-	-	All	70160	70680	N.L.A.	72990
10 (MARK 10A)	-	-	1120828-1122327	70160	70680	72120	72990
10 (MARK 15)	-	-	595628 and Up	70160	70680	72120	72990
10 (100)	1960-62	-	1290910-1455239	70160	70680	72120	72990
15 (150)	1960-62	-	1200114-1499331	70160	70680	72120	72990
20 (MARK 25, MARK 25E)	-	-	860979 and Up	70160	70680	72120	72990
20 (200)	1963-65	-	1558310-1592567	70160	70680	72120	72990
22 (MARK 22A)	-	-	1158546-1499331	70160	70680	72120	72990
25 (250)	1960-62	-	1200114-1499331	70160	70680	72120	72990
35 (350)	1963-69	-	157114-2874703	70170	70670	-	72980
60 (MARK 75)	-	-	1072997 and Up	-	-	72110	N/A
60 (600) (6-Cyl.)	1960	-	1303411-1542744	-	N/A	72110	N/A
70 (MARK 78, 78A) (MARK 75A)	-	-	1110600 and Up	-	-	72110	N/A
70 (700) (6-Cyl.)	1960-61	-	1296411-1566239	-	-	72110	N/A
80 (800) (6-Cyl.)	1960-61	-	1335465-1566239	-	-	72110	N/A
85 (850) (6-Cyl.)	1963-64	-	1460999-1766823	-	-	72110	N/A
90 (900) (6-Cyl.)	1965	-	1766824-1869775	-	-	72110	N/A
95 (950) (6-Cyl.)	1966-67	-	1869776-2318585	-	-	72110	N/A
100 (1000) (6-Cyl.)	1962-65	-	1464949-2318585	-	-	72110	N/A
110 (1100) (6-Cyl.)	1966-67	-	1870204-2314955	-	-	72110	N/A

TOC

Manifolds-Merc.

Manifolds-OMC

Manifolds-Volvo

Manifolds-Barr

MerCruiser

Merc / Mar / For

OMC / Volvo

Johnson / Evin

Yamaha

Index / X-Ref.

Warranty

GLM Products, Inc.

ELECTRICAL SYSTEM APPLICATION

Model	Year	Origin	Serial No. Range	Starter Solenoids	Power Trim Solenoid	Power Trim Relay
6	1986-93	USA	0A197112-0D280999	72390	N/A	N/A
6	1986-93	BEL	9461526-9792199	72390	N/A	N/A
8	1986-93	USA	0A197112-0D280999	72390	N/A	N/A
8	1986-93	BEL	9461526-9792199	72390	N/A	N/A
9.9	1986-93	USA	0A197112-0D280999	72390	N/A	N/A
9.9	1986-93	BEL	9461526-9792199	72390	N/A	N/A
18 (18, 18XD)	1980-85	USA	5837437 and Up	72390	N/A	N/A
18 (18, 18XD)	1980-83	AUS	8071973 and Up	72390	N/A	N/A
18	1980-83	BEL	9308306 and Up	72390	N/A	N/A
18	1980-83	CAN	7173723 and Up	72390	N/A	N/A
20 (200, 20)	1978-81	USA	4709593-6443972	72370	N/A	N/A
20 (200, 20)	1978-81	AUS	8045199 and Up	72370	N/A	N/A
20 (200, 20)	1978-81	BEL	9157230-9415100	72370	N/A	N/A
20 (200, 20)	1978-81	CAN	7098523-7209532	72370	N/A	N/A
20 (20, 20XD)	1986-87	USA	6443973 and Up	72390	N/A	N/A
20 (20, 20XD)	1986-87	BEL	9415101 and Up	72390	N/A	N/A
20 (20, 20XD)	1986-87	CAN	7209533 and Up	72390	N/A	N/A
25 (25, 25XD) (2-Cyl.)	1980-94	USA	5705532-0G044026	72390	N/A	N/A
25 (25, 25XD) (2-Cyl.)	1980-83	AUS	8073158 and Up	72390	N/A	N/A
25	1980-83	BEL	9315316 and Up	72390	N/A	N/A
25	1980-83	CAN	7166928 and Up	72390	N/A	N/A
25 (4-Stroke)	1998	USA	0G590000 and Up	-	N/A	N/A
30 (2-Cyl.) (644cc)	1994-98	USA	0G053314 and Up	-	N/A	73040
30 (2-Cyl.) (644cc)	1994-98	BEL	0P017000 and Up	-	N/A	73040
30 (Jet) (Non-Handle)	1994-97	USA	0C159200-0G589999	72390	N/A	N/A
30 (Jet) (Non-Handle)	1998	USA	0G590000 and Up	-	N/A	N/A
35 (2-Cyl.) (w/3 Ram Trim)	1984-86	USA	6445653-0C159199	72400	72400	N/A
35 (2-Cyl.) (w/3 Ram Trim)	1984-86	BEL	9384476 and Up	72400	72400	N/A
35 (2-Cyl.) (w/3 Ram Trim)	1984-86	CAN	7209608 and Up	72400	72400	N/A
35 (2-Cyl.) (w/1 Ram Trim)	1987-89	USA	0C159200 and Up	72400	N/A	-
35 (2-Cyl.) (w/1 Ram Trim)	1984-89	BEL	ALL	72400	N/A	-
40 (40, 402, 400) (2-Cyl.)	1970-79	USA	2874704-5556229	72480	N/A	N/A
40 (40, 402, 400) (2-Cyl.)	1972-79	AUS	8002335-8064749	72480	N/A	N/A
40 (40, 402, 400) (2-Cyl.)	1972-79	BEL	3339688-9251455	72480	N/A	N/A
40 (40, 402, 400) (2-Cyl.)	1972-77	CAN	3340783-7144762	72480	N/A	N/A
40 (2-Cyl.)	1980-83	USA	5556230-5823917	72370	N/A	N/A
40 (2-Cyl.)	1980-83	AUS	8064750-8070639	72370	N/A	N/A
40 (2-Cyl.)	1980-83	BEL	9251456-9298955	72370	N/A	N/A
40 (2-Cyl.)	1980-83	CAN	7144763-7169337	72370	N/A	N/A
40 (2-Cyl.)	1980-83	USA	5823918-0G053313	72400	N/A	N/A
40 (2-Cyl.)	1980-83	AUS	8070640 and Up	72400	N/A	N/A
40 (2-Cyl.)	1980-83	BEL	9298956 and Up	72400	N/A	N/A
40 (2-Cyl.)	1980-83	CAN	7169338 and Up	72400	N/A	N/A
40 (2-Cyl.)	1994-98	USA	0G053314 and Up	-	N/A	73040
40 (3-Cyl.)	1997-98	USA	0G531301 and Up	-	N/A	73040
40 (3-Cyl.)	1997-98	BEL	9973100 and Up	-	N/A	73040
40 (4-Cyl.) (w/solenoids)	1989 & Up	USA	0C159200 and Up	72390	72380	N/A
40 (4-Cyl.) (w/solenoids)	1989 & Up	BEL	9570790 and Up	72390	72380	N/A
40 (4-Cyl.) (w/relays)	1989 & Up	USA	0C159200 and Up	72390	N/A	-
40 (4-Cyl.) (w/relays)	1989 & Up	BEL	9570790 and Up	72390	N/A	-
40 (4-Stroke)	1998	USA	0G231123 and Up	-	N/A	73040
45 (4-Cyl.) (w/o trim circuit breaker & fuse)	1986	USA	5531630-6146848	72370	-	N/A
45 (4-Cyl.) (w/o trim circuit breaker & fuse)	1986	AUS	8063985-8075602	72370	-	N/A
45 (4-Cyl.) (w/o trim circuit breaker & fuse)	1986	BEL	9248006-9362390	72370	-	N/A
45 (4-Cyl.) (w/o trim circuit breaker & fuse)	1986	CAN	7143688-7198592	72370	-	N/A
45 (4-Cyl.) (w/ trim circuit breaker & fuse)	1986	USA	5531630-6146848	72370	72400	N/A
45 (4-Cyl.) (w/ trim circuit breaker & fuse)	1986	AUS	8063985-8075602	72370	72400	N/A
45 (4-Cyl.) (w/ trim circuit breaker & fuse)	1986	BEL	9248006-9362390	72370	72400	N/A
45 (4-Cyl.) (w/ trim circuit breaker & fuse)	1986	CAN	7143688-7198592	72370	72400	N/A
45 (4-Cyl.) (w/o trim circuit breaker & fuse)	1986-89	USA	6146849 and Up	72400	-	N/A
45 (4-Cyl.) (w/o trim circuit breaker & fuse)	1986-89	BEL	9362391 and Up	72400	-	N/A
45 (4-Cyl.) (w/o trim circuit breaker & fuse)	1986-89	CAN	7198593 and Up	72400	-	N/A
45 (4-Cyl.) (w/ trim circuit breaker & fuse)	1986-89	USA	6146849 and Up	72400	72400	N/A
45 (4-Cyl.) (w/ trim circuit breaker & fuse)	1986-89	BEL	9362391 and Up	72400	72400	N/A
45 (4-Cyl.) (w/ trim circuit breaker & fuse)	1986-89	CAN	7198593 and Up	72400	72400	N/A

GLM Products, Inc.

ELECTRICAL SYSTEM APPLICATION

Model	Year	Origin	Serial No. Range	Starter Solenoids	Power Trim Solenoid	Power Trim Relay
45 (4-Cyl.)	1987-89	USA	0B110789 and Up	72400	72400	N/A
45 (4-Cyl.)	1987-89	BEL	9466692 and Up	72400	72400	N/A
45 (4-Cyl.)	1987-89	CAN	0A719281 and Up	72400	72400	N/A
45 (4-Stroke/Bodensee)	1996-98	USA	0G231123 and Up	-	N/A	73040
45 Jet (w/ flush mount starter solenoid)	1994-95	USA	0D000750-0G290584	72390	N/A	N/A
45 Jet	1998	USA	0G590000 and Up	-	N/A	N/A
50 (500)	1971-74	USA	3008819-4140999	72480	N/A	N/A
50 (500)	1971-74	AUS	3015354-8029514	72480	N/A	N/A
50 (500)	1971-74	BEL	9001581-9082513	72480	N/A	N/A
50 (500)	1971-74	CAN	3015454-7051982	72480	N/A	N/A
50 (50, 500)	1975-79	USA	4141000-5531629	72370	N/A	N/A
50 (50, 500)	1975-79	AUS	8029515-8063984	72370	N/A	N/A
50 (50, 500)	1975-79	BEL	9082514-9248005	72370	N/A	N/A
50 (50, 500)	1975-79	CAN	7051983-7143687	72370	N/A	N/A
50 (4-Cyl.) (w/o trim circuit breaker & fuse)	1980-85	USA	5531630-6146848	72370	-	N/A
50 (4-Cyl.) (w/o trim circuit breaker & fuse)	1980-85	AUS	8063985-8075602	72370	-	N/A
50 (4-Cyl.) (w/o trim circuit breaker & fuse)	1980-85	BEL	9248006-9362390	72370	-	N/A
50 (4-Cyl.) (w/o trim circuit breaker & fuse)	1980-85	CAN	7143688-7198592	72370	-	N/A
50 (4-Cyl.) (w/ trim circuit breaker & fuse)	1980-85	USA	5531630-6146848	72370	72400	N/A
50 (4-Cyl.) (w/ trim circuit breaker & fuse)	1980-85	AUS	8063985-8075602	72370	72400	N/A
50 (4-Cyl.) (w/ trim circuit breaker & fuse)	1980-85	BEL	9248006-9362390	72370	72400	N/A
50 (4-Cyl.) (w/ trim circuit breaker & fuse)	1980-85	CAN	7143688-7198592	72370	72400	N/A
50 (4-Cyl.) (w/o trim circuit breaker & fuse)	1980-85	USA	6146849 and Up	72400	-	N/A
50 (4-Cyl.) (w/o trim circuit breaker & fuse)	1980-85	BEL	9362391 and Up	72400	-	N/A
50 (4-Cyl.) (w/o trim circuit breaker & fuse)	1980-85	CAN	7198593 and Up	72400	-	N/A
50 (4-Cyl.) (w/ trim circuit breaker & fuse)	1980-85	USA	6146849 and Up	72400	72400	N/A
50 (4-Cyl.) (w/ trim circuit breaker & fuse)	1980-85	BEL	9362391 and Up	72400	72400	N/A
50 (4-Cyl.) (w/ trim circuit breaker & fuse)	1980-85	CAN	7198593 and Up	72400	72400	N/A
50 (3-Cyl.)	1986-87	USA	6428681-0B122929	-	72400	N/A
50 (3-Cyl.)	1986-87	BEL	9385911-9469199	-	72400	N/A
50 (3-Cyl.)	1986-87	CAN	7208333-0A721308	-	72400	N/A
50 (3-Cyl.) (w/ 3 Ram Trim)	1988-90	USA	0B122930-0D000749	72400	72400	N/A
50 (3-Cyl.) (w/ 3 Ram Trim)	1988-90	BEL	9469200-9683054	72400	72400	N/A
50 (3-Cyl.) (w/ 3 Ram Trim)	1988-90	CAN	0A721309 and Up	72400	72400	N/A
50 (3-Cyl.) (w/ 1 Ram Trim)	1988-90	USA	0B122930-0D000749	72400	N/A	-
50 (3-Cyl.) (w/ 1 Ram Trim)	1988-90	BEL	9469200-9683054	72400	N/A	-
50 (3-Cyl.) (w/ 1 Ram Trim)	1988-90	CAN	0A721309 and Up	72400	N/A	-
50 (3-Cyl.) (w/ flush mount starter solenoid)	1991-95	USA	0D000750-0D081999	72390	N/A	73040
50 (3-Cyl.) (w/ flush mount starter solenoid)	1991-95	BEL	9683055-9885344	72390	N/A	73040
50 (3-Cyl.) (w/ rubber bushing mount starter solenoid)	1991-95	USA	0D000750-0D081999	-	N/A	73040
50 (3-Cyl.) (w/ rubber bushing mount starter solenoid)	1991-95	BEL	9683055-9885344	-	N/A	73040
50 (3-Cyl.)	1996-97	USA	0G290585-0G589999	72380	N/A	73040
50 (3-Cyl.)	1996-97	BEL	9885345-9973099	72380	N/A	73040
50 (3-Cyl.)	1998	USA	0G590000 and Up	-	N/A	73040
50 (3-Cyl.)	1998	BEL	9973100 and Up	-	N/A	73040
55 (3-Cyl.) (w/ flush mount starter solenoid)	1996	USA	0D000750-0G290584	72390	N/A	73040
55 (3-Cyl.) (w/ flush mount starter solenoid)	1996	BEL	9683055-9885344	72390	N/A	73040
55 (3-Cyl.) (w/ rubber bushing mount starter solenoid)	1996	USA	0D000750-0G290584	-	N/A	73040
55 (3-Cyl.) (w/ rubber bushing mount starter solenoid)	1996	BEL	9683055-9885344	-	N/A	73040
55 (3-Cyl.)	1997	USA	0G290585-0G589999	72380	N/A	73040
55 (3-Cyl.)	1997	BEL	9885345-9973099	72380	N/A	73040
55 (3-Cyl.)	1998	USA	0G590000 and Up	-	N/A	73040
55 (3-Cyl.)	1998	BEL	9973100 and Up	-	N/A	73040
60 (3-Cyl.)	1984-87	USA	6428681-0B122929	72390	72400	N/A
60 (3-Cyl.)	1984-87	BEL	9385911-9469199	72390	72400	N/A
60 (3-Cyl.)	1984-87	CAN	7208333-0A721308	72390	72400	N/A
60 (3-Cyl.) (w/ 3 Ram Trim)	1988-90	USA	0B122930-0D000749	72400	72400	N/A
60 (3-Cyl.) (w/ 3 Ram Trim)	1988-90	BEL	9469200-9603054	72400	72400	N/A
60 (3-Cyl.) (w/ 3 Ram Trim)	1988-90	CAN	0A721309 and Up	72400	72400	N/A
60 (3-Cyl.) (w/ 1 Ram Trim)	1988-90	USA	0B122930-0D000749	72400	N/A	-
60 (3-Cyl.) (w/ 1 Ram Trim)	1988-90	BEL	9469200-9603054	72400	N/A	-
60 (3-Cyl.) (w/ 1 Ram Trim)	1988-90	CAN	0A721309 and Up	72400	N/A	-
60 (3-Cyl.) (w/ flush mount starter solenoid)	1991-95	USA	0D000750-0G290584	72390	N/A	73040
60 (3-Cyl.) (w/ flush mount starter solenoid)	1991-95	BEL	9683055-9885344	72390	N/A	73040
60 (3-Cyl.) (w/ rubber bushing mount starter solenoid)	1991-95	USA	0D000750-0G290584	-	N/A	73040

ELECTRICAL SYSTEM APPLICATION

Model	Year	Origin	Serial No. Range	Starter Solenoids	Power Trim Solenoid	Power Trim Relay
60 (3-Cyl.) (w/ rubber bushing mount starter solenoid)	1991-95	BEL	9683055-9885344	-	N/A	73040
60 (3-Cyl.)	1996-97	USA	0G290585-0G589999	72380	N/A	73040
60 (3-Cyl.)	1996-97	BEL	9885345-9973099	72380	N/A	73040
60 (3-Cyl.)	1998	USA	0G590000 and Up	-	N/A	73040
60 (3-Cyl.)	1998	BEL	9973100 and Up	-	N/A	73040
65 (650) (4-Cyl.)	1970-71	-	2446775-3293183	72480	N/A	N/A
65 (650) (3-Cyl.)	1973-76	USA	3547987-4571651	72370	N/A	N/A
65 (650) (3-Cyl.)	1973-75	AUS	8006640-8042349	72370	N/A	N/A
65 (650) (3-Cyl.)	1973-76	BEL	9020074-9135824	72370	N/A	N/A
65 (650) (3-Cyl.)	1973-76	CAN	7013633-7087822	72370	N/A	N/A
65 Jet	1994-98	USA	ALL	-	N/A	N/A
65 Jet	1994-98	USA	0G127500 and Up	-	N/A	N/A
70 (3-Cyl.)	1977-79	USA	4571652-5579016	72370	N/A	N/A
70 (3-Cyl.)	1977-79	AUS	8042350-8065064	72370	N/A	N/A
70 (3-Cyl.)	1977-79	BEL	9135825-9255130	72370	N/A	N/A
70 (3-Cyl.)	1977-79	CAN	7087823-7145937	72370	N/A	N/A
70 (3-Cyl.)	1980-83	USA	5579017-6104369	72370	72370	N/A
70 (3-Cyl.)	1980-83	AUS	8065065-8068964	72370	72370	N/A
70 (3-Cyl.)	1980-83	BEL	9255131-9352915	72370	72370	N/A
70 (3-Cyl.)	1980-83	CAN	7145938-7192547	72370	72370	N/A
70 (3-Cyl.)	1980-83	USA	610470-6428680	72390	72370	N/A
70 (3-Cyl.)	1980-83	BEL	9352916-9385910	72390	72370	N/A
70 (3-Cyl.)	1980-83	CAN	7192548-7208332	72390	72370	N/A
70 (3-Cyl.)	1987	USA	0A996142 and Up	72400	72400	N/A
70 (3-Cyl.)	1987	BEL	9483121 and Up	72400	72400	N/A
75 (4-Cyl.)	1984-88	USA	6432901 and Up	72390	72400	N/A
75 (4-Cyl.)	1984-88	BEL	9393856 and Up	72390	72400	N/A
75 (4-Cyl.)	1984-88	CAN	7208573 and Up	72390	72400	N/A
75 (3-Cyl.) (w/ 3 Ram Trim)	1990-93	USA	0C222000-0D252460	-	-	N/A
75 (3-Cyl.) (w/ 3 Ram Trim)	1990-98	BEL	9589039 and Up	-	-	N/A
75 (3-Cyl.) (w/ 1 Ram Trim)	1990-93	USA	0C222000-0D252460	-	N/A	73040
75 (3-Cyl.) (w/ 1 Ram Trim)	1990-98	BEL	9589039 and Up	-	N/A	73040
75 (3-Cyl.) (w/ 3 Ram Trim)	1990-93	USA	0D252461-0D283221	-	-	N/A
75 (3-Cyl.) (w/ 3 Ram Trim)	1990-98	BEL	ALL	-	-	N/A
75 (3-Cyl.)	1994-98	USA	0D283222-0G127499	-	-	N/A
75 (3-Cyl.)	1994-98	BEL	9793577-9836632	-	-	N/A
75 (3-Cyl.)	1994-98	USA	0G127500-0G360002	-	-	N/A
75 (3-Cyl.)	1994-98	BEL	9836633-9934136	-	-	N/A
75 (3-Cyl.)	1994-98	USA	0G36003 and Up	-	N/A	73040
75 (3-Cyl.)	1994-98	BEL	9934137 and Up	-	N/A	73040
80 (800) (4-Cyl.)	1969-72	-	2559001-3493912	72480	N/A	N/A
80 (800) (4-Cyl.)	1978-79	USA	4831999-5582561	72370	N/A	N/A
80 (800) (4-Cyl.)	1978-79	AUS	8050200-8067014	72370	N/A	N/A
80 (800) (4-Cyl.)	1978-79	BEL	9177626-9256130	72370	N/A	N/A
80 (800) (4-Cyl.)	1978-79	CAN	7110998-7146212	72370	N/A	N/A
80 (4-Cyl.) (w/o trim circuit breaker & fuse)	1980-83	USA	5582562-6030903	72370	72370	N/A
80 (4-Cyl.) (w/o trim circuit breaker & fuse)	1980-83	AUS	8067015-8074612	72370	72370	N/A
80 (4-Cyl.) (w/o trim circuit breaker & fuse)	1980-83	BEL	9256131-9345615	72370	72370	N/A
80 (4-Cyl.) (w/o trim circuit breaker & fuse)	1980-83	CAN	7146213-7189007	72370	72370	N/A
80 (4-Cyl.) (w/ trim circuit breaker & fuse)	1980-83	USA	5582562-6030903	72370	72400	N/A
80 (4-Cyl.) (w/ trim circuit breaker & fuse)	1980-83	AUS	8067015-8074612	72370	72400	N/A
80 (4-Cyl.) (w/ trim circuit breaker & fuse)	1980-83	BEL	9256131-9345615	72370	72400	N/A
80 (4-Cyl.) (w/ trim circuit breaker & fuse)	1980-83	CAN	7146213-7189007	72370	72400	N/A
80 (4-Cyl.) (w/o trim circuit breaker & fuse)	1980-83	USA	6030903-6432900	72390	72370	N/A
80 (4-Cyl.) (w/o trim circuit breaker & fuse)	1980-83	AUS	8074612 and Up	72390	72370	N/A
80 (4-Cyl.) (w/o trim circuit breaker & fuse)	1980-83	BEL	9345615-9393855	72390	72370	N/A
80 (4-Cyl.) (w/o trim circuit breaker & fuse)	1980-83	CAN	7189007-7208572	72390	72370	N/A
80 (4-Cyl.) (w/ trim circuit breaker & fuse)	1980-83	USA	6030903-6432900	72390	72400	N/A
80 (4-Cyl.) (w/ trim circuit breaker & fuse)	1980-83	AUS	8074612 and Up	72390	72400	N/A
80 (4-Cyl.) (w/ trim circuit breaker & fuse)	1980-83	BEL	9345615-9393855	72390	72400	N/A
80 (4-Cyl.) (w/ trim circuit breaker & fuse)	1980-83	CAN	7189007-7208572	72390	72400	N/A
80 (3-Cyl.)	1987	USA	0A996142 and Up	72400	72400	N/A
80 (3-Cyl.)	1987	BEL	9483121 and Up	72400	72400	N/A
80 Jet	1994-98	USA	0D283222 and Up	-	N/A	N/A
85 (850) (4-Cyl.)	1973-77	USA	3493913-3865694	72480	N/A	N/A

GLM Products, Inc.

ELECTRICAL SYSTEM APPLICATION

Model	Year	Origin	Serial No. Range	Starter Solenoids	Power Trim Solenoid	Power Trim Relay
85 (850) (4-Cyl.)	1973-77	AUS	8005440-8017139	72480	N/A	N/A
85 (850) (4-Cyl.)	1973-77	BEL	9011604-9053363	72480	N/A	N/A
85 (850) (4-Cyl.)	1973-77	CAN	7010108-7033027	72480	N/A	N/A
85 (850) (4-Cyl.)	1973-77	USA	3865695-4831998	72370	N/A	N/A
85 (850) (4-Cyl.)	1973-77	AUS	8017140-8050199	72370	N/A	N/A
85 (850) (4-Cyl.)	1973-77	BEL	9053364-9177625	72370	N/A	N/A
85 (850) (4-Cyl.)	1973-77	CAN	7033028-7110997	72370	N/A	N/A
90 (90, 900) (6-Cyl.)	1978-79	USA	4845301-5299505	72370	72370	N/A
90 (90, 900) (6-Cyl.)	1978-79	CAN	7111698-7123762	72370	72370	N/A
90 (6-Cyl.)	1979	USA	5299506-5594656	72370	72370	N/A
90 (6-Cyl.)	1979	AUS	8060545-8060694	72370	72370	N/A
90 (6-Cyl.) (w/o trim circuit breaker & fuse)	1980-83	USA	5594657-6026608	72370	72370	N/A
90 (6-Cyl.) (w/o trim circuit breaker & fuse)	1980-83	AUS	8071020-8074512	72370	72370	N/A
90 (6-Cyl.) (w/o trim circuit breaker & fuse)	1980-83	CAN	7147088-7185072	72370	72370	N/A
90 (6-Cyl.) (w/ trim circuit breaker & fuse)	1980-83	USA	5594657-6026608	72370	72400	N/A
90 (6-Cyl.) (w/ trim circuit breaker & fuse)	1980-83	AUS	8071020-8074512	72370	72400	N/A
90 (6-Cyl.) (w/ trim circuit breaker & fuse)	1980-83	CAN	7147088-7185072	72370	72400	N/A
90 (6-Cyl.) (w/o trim circuit breaker & fuse)	1980-83	USA	6026609-6436122	72390	72370	N/A
90 (6-Cyl.) (w/o trim circuit breaker & fuse)	1980-83	AUS	8074513 and Up	72390	72370	N/A
90 (6-Cyl.) (w/o trim circuit breaker & fuse)	1980-83	CAN	7185073-7208847	72390	72370	N/A
90 (6-Cyl.) (w/ trim circuit breaker & fuse)	1980-83	USA	6026609-6436122	72390	72400	N/A
90 (6-Cyl.) (w/ trim circuit breaker & fuse)	1980-83	AUS	8074513 and Up	72390	72400	N/A
90 (6-Cyl.) (w/ trim circuit breaker & fuse)	1980-83	CAN	7185073-7208847	72390	72400	N/A
90 (6-Cyl.)	1984-86	USA	6436123 and Up	72390	72400	N/A
90 (6-Cyl.)	1984-86	CAN	7208848 and Up	72390	72400	N/A
90 (3-Cyl.)	1987	USA	0A996142-0C221999	72370	72400	N/A
90 (3-Cyl.)	1987	BEL	9483121-9589038	72370	72400	N/A
90 (3-Cyl.) (w/ 3 Ram Trim)	1991-93	USA	0C222000-0D252460	-	-	N/A
90 (3-Cyl.) (w/ 3 Ram Trim)	1991-98	BEL	9589039 and Up	-	-	N/A
90 (3-Cyl.) (w/ 1 Ram Trim)	1991-93	USA	0C222000-0D252460	-	N/A	73040
90 (3-Cyl.) (w/ 1 Ram Trim)	1991-98	BEL	9589039 and Up	-	N/A	73040
90 (3-Cyl.) (w/ 1 Ram Trim)	1991-93	USA	0D252461-0D283221	-	-	N/A
90 (3-Cyl.) (w/ 1 Ram Trim)	1991-98	BEL	All	-	-	N/A
90 (3-Cyl.)	1994-98	USA	0D283222-0G127499	-	-	N/A
90 (3-Cyl.)	1994-98	BEL	9793577-9836632	-	-	N/A
90 (3-Cyl.)	1994-98	USA	0G127500-0G360002	-	-	N/A
90 (3-Cyl.)	1994-98	BEL	9836633-9934136	-	-	N/A
90 (3-Cyl.)	1994-98	USA	0G360003 and Up	-	N/A	73040
90 (3-Cyl.)	1994-98	BEL	9934137 and Up	-	N/A	73040
100 (1000SS)	1968-69	-	2318586-2836018	72480	N/A	N/A
100 (1000BP)	1968-69	-	2399698-3253111	72480	N/A	N/A
100 (4-Cyl.) (w/ 3 Ram Trim) (w/ 5/16-18 starter terminals)	1988-93	USA	0B209468-0D252460	-	-	N/A
100 (4-Cyl.) (w/ 3 Ram Trim) (w/ 5/16-18 starter terminals)	1988-98	BEL	9523034 and Up	-	-	N/A
100 (4-Cyl.) (w/ 1 Ram Trim) (w/ 5/16-18 starter terminals)	1988-93	USA	0B209468-0D252460	-	N/A	73040
100 (4-Cyl.) (w/ 1 Ram Trim) (w/ 5/16-18 starter terminals)	1988-98	BEL	9523034 and Up	-	N/A	73040
100 (4-Cyl.) (w/ 5/16-18 starter terminals)	1988-93	USA	0D252461-0D283221	-	-	N/A
100 (4-Cyl.) (w/ 5/16-18 starter terminals)	1988-98	BEL	ALL	-	-	N/A
100 (4-Cyl.)	1994-98	USA	0D283222-0G359967	-	-	N/A
100 (4-Cyl.)	1994-98	BEL	9793577-9934136	-	-	N/A
100 (4-Cyl.)	1994-98	USA	0G359968 and Up	-	N/A	73040
100 (4-Cyl.)	1994-98	BEL	9934137 and Up	-	N/A	73040
110 (1100) (6-Cyl.)	1966-67	-	1870204-2314955	72480	N/A	N/A
115 (1150) (6-Cyl.)	1970-72	USA	2836019-4112634	72480	72480	N/A
115 (1150) (6-Cyl.)	1973-79	AUS	8008665-8027114	72480	72480	N/A
115 (1150) (6-Cyl.)	1973-79	CAN	7010763-7047257	72480	72480	N/A
115 (115, 1150) (6-Cyl.)	1973-79	USA	4112635-5600966	72370	72370	N/A
115 (115, 1150) (6-Cyl.)	1973-79	AUS	8027115-8061269	72370	72370	N/A
115 (115, 1150) (6-Cyl.)	1973-79	CAN	7047258-7147987	72370	72370	N/A
115 (6-Cyl.) (w/o trim circuit breaker & fuse)	1980	USA	5600967-6051525	72370	72370	N/A
115 (6-Cyl.) (w/o trim circuit breaker & fuse)	1980	AUS	8061270-8071274	72370	72370	N/A
115 (6-Cyl.) (w/o trim circuit breaker & fuse)	1980	CAN	7147988-7186572	72370	72370	N/A
115 (6-Cyl.) (w/ trim circuit breaker & fuse)	1980	USA	5600967-6051525	72370	72400	N/A
115 (6-Cyl.) (w/ trim circuit breaker & fuse)	1980	AUS	8061270-8071274	72370	72400	N/A
115 (6-Cyl.) (w/ trim circuit breaker & fuse)	1980	CAN	7147988-7186572	72370	72400	N/A
115 (6-Cyl.) (w/o trim circuit breaker & fuse)	1980-83	USA	6051526-6436122	72390	72400	N/A

TOC

Manifolds-Merc.

Manifolds-OMC

Manifolds-Volvo

Manifolds-Barr

MerCruiser

Merc / Mar / For

OMC / Volvo

Johnson / Evin

Yamaha

Index / X-Ref.

Warranty

ELECTRICAL SYSTEM APPLICATION

Model	Year	Origin	Serial No. Range	Starter Solenoids	Power Trim Solenoid	Power Trim Relay
115 (6-Cyl.) (w/o trim circuit breaker & fuse)	1980-83	CAN	7186573-7208847	72390	72400	N/A
115 (6-Cyl.) (w/ trim circuit breaker & fuse)	1980-83	USA	6051526-6436122	72390	72400	N/A
115 (6-Cyl.) (w/ trim circuit breaker & fuse)	1980-83	CAN	7186573-7208847	72390	72400	N/A
115 (6-Cyl.)	1984-88	USA	6436123 and Up	72390	72400	N/A
115 (6-Cyl.)	1984-88	CAN	7208848 and Up	72390	72400	N/A
115 (4-Cyl.) (w/ 3 Ram Trim) (w/ 5/16-18 starter terminals)	1988-93	USA	0C100000-0D252460	-	-	N/A
115 (4-Cyl.) (w/ 3 Ram Trim) (w/ 5/16-18 starter terminals)	1988-93	BEL	9559771 and Up	-	-	N/A
115 (4-Cyl.) (w/ 1 Ram Trim) (w/ 5/16-18 starter terminals)	1988-93	USA	0C100000-0D252460	-	N/A	73040
115 (4-Cyl.) (w/ 1 Ram Trim) (w/ 5/16-18 starter terminals)	1988-93	BEL	9559771 and Up	-	N/A	73040
115 (4-Cyl.) (w/ 5/16-18 starter terminals)	1989-93	USA	0D252461-0D283221	-	-	N/A
115 (4-Cyl.) (w/ 5/16-18 starter terminals)	1989-98	BEL	ALL	-	-	N/A
115 (4-Cyl.)	1994-98	USA	0D283222-0G359967	-	-	N/A
115 (4-Cyl.)	1994-98	BEL	9793577-9934136	-	-	N/A
115 (4-Cyl.)	1994-98	USA	0G359968 and Up	-	N/A	73040
115 (4-Cyl.)	1994-98	BEL	9934137 and Up	-	N/A	73040
125 (1250, 1250BP) (6-Cyl.)	1968-69	-	2314956-3253111	72480	N/A	N/A
125 (4-Cyl.)	1994-98	USA	0D283222-0G359967	-	-	N/A
125 (4-Cyl.)	1994-98	BEL	9793577-9934126	-	-	N/A
125 (4-Cyl.)	1994-98	USA	0G359968 and Up	-	N/A	73040
125 (4-Cyl.)	1994-98	BEL	9934137 and Up	-	N/A	73040
135 (1350) (6-Cyl.)	1970-71	-	2839369-3293233	72480	N/A	N/A
140 (1400) (6-Cyl.)	1972	-	3293234-3502805	72480	72480	N/A
140 (140, 1400) (6-Cyl.)	1978-79	USA	4865678 and Up	72370	72370	N/A
140 (140, 1400) (6-Cyl.)	1978-79	AUS	8052650 and Up	72370	72370	N/A
140 (140, 1400) (6-Cyl.)	1978-79	CAN	7112773 and Up	72370	72370	N/A
150 (1500) (6-Cyl.)	1973-77	USA	3502806-4121434	72480	72480	N/A
150 (1500) (6-Cyl.)	1973-77	AUS	8005615-8028040	72480	72480	N/A
150 (1500) (6-Cyl.)	1973-77	CAN	7010533-7048782	72480	72480	N/A
150 (1500) (6-Cyl.)	1973-77	USA	4121435-4865677	72370	72480	N/A
150 (1500) (6-Cyl.)	1973-77	AUS	8028041-8052649	72370	72480	N/A
150 (1500) (6-Cyl.)	1973-77	CAN	7048783-7112772	72370	72480	N/A
150 (1500XS)	1978	USA	4868648-5327662	72370	72370	N/A
105 Jet (V6) (w/ flush mounted starter solenoid)	1994-95	USA	0D082000-0G303045	72370	N/A	N/A
105 Jet (V6) (w/ rubber bushing mount starter solenoid)	1994-95	USA	0D082000-0G303045	-	N/A	N/A
105 Jet (V6)	1996 & Up	USA	0G303046 and Up	-	N/A	N/A
V-135 (w/ 1/4-20 starter solenoid terminals)	1986-88	USA	0A904646-0C100860	-	72400	N/A
V-135 (w/ 5/16-18 starter solenoid terminals)	1986-88	USA	0A904646-0C100860	72370	72400	N/A
V-135	1989-90	USA	0C100861-0C239552	72370	72400	N/A
V-135 (w/ standard color trim solenoid)	1991	USA	0C239553-0D081999	72370	72400	N/A
V-135 (w/ off white color trim solenoid)	1991	USA	0C239553-0D081999	72370	-	N/A
V-135 (w/ flush mounted starter solenoid)	1992-95	USA	0D082000-0G201874	72370	-	N/A
V-135 (w/ rubber bushing mount starter solenoid)	1992-95	USA	0D082000-0G201874	-	-	N/A
V-135 (w/ flush mounted starter solenoid)	1992-95	USA	0G201875-0G303045	-	N/A	73040
V-135 (w/ rubber bushing mount starter solenoid)	1992-95	USA	0G201875-0G303045	-	N/A	73040
V-135	1996-98	USA	0G303046 and Up	-	N/A	73040
V-135 DFI	1998	USA	0G590000 and Up	-	N/A	73040
V-150 Mercury	1978-81	USA	5432022-6042945	72370	72400	N/A
V-150 Mariner	1978-81	USA	5432022-6038680	72370	72400	N/A
V-150 Mercury	1982-85	USA	6042946-0A904645	-	72400	N/A
V-150 Mariner	1982-85	USA	6038681-0A904645	-	72400	N/A
V-150 (w/ 1/4-20 starter solenoid terminals)	1986-88	USA	0A904646-0C100860	-	72400	N/A
V-150 (w/ 5/16-18 starter solenoid terminals)	1986-88	USA	0A904646-0C100860	72370	72400	N/A
V-150	1989-90	USA	0C100861-0C239552	72370	72400	N/A
V-150 (w/ standard color trim solenoid)	1991	USA	0C239553-0D081999	72370	72400	N/A
V-150 (w/ off white color trim solenoid)	1991	USA	0C239553-0D081999	72370	-	N/A
V-150 (w/ flush mounted starter solenoid)	1992-95	USA	0D082000-0G201874	72370	-	N/A
V-150 (w/ rubber bushing mount starter solenoid)	1992-95	USA	0D082000-0G201874	-	-	N/A
V-150 (w/ flush mounted starter solenoid)	1992-95	USA	0G201875-0G303045	72370	N/A	73040
V-150 (w/ rubber bushing mount starter solenoid)	1992-95	USA	0G201875-0G303045	-	N/A	73040
V-150	1996-98	USA	0G303046 and Up	-	N/A	73040
V-150 EFI (w/ flush mounted starter solenoid)	1993-95	USA	0D082000-0G201874	72370	-	N/A
V-150 EFI (w/ rubber bushing mount starter solenoid)	1993-95	USA	0D082000-0G201874	-	-	N/A
V-150 EFI (w/ flush mounted starter solenoid)	1993-95	USA	0G201875-0G303045	72370	N/A	73040
V-150 EFI (w/ rubber mount starter solenoid)	1993-95	USA	0G201875-0G303045	-	N/A	73040
V-150 EFI	1996-98	USA	0G303046 and Up	-	N/A	73040

GLM Products, Inc.

ELECTRICAL SYSTEM APPLICATION

Model	Year	Origin	Serial No. Range	Starter Solenoids	Power Trim Solenoid	Power Trim Relay
V-150 DFI	1998	USA	0G590000 and Up	-	N/A	73040
V-150 XR4	1988	USA	0B242885-0C239552	72370	72400	N/A
V-150 XR4 (w/ standard color trim solenoid)	1991	USA	0C239553-0D081999	72370	72400	N/A
V-150 XR4 (w/ off white color trim solenoid)	1991	USA	0C239553-0D081999	72370	-	N/A
V-150 XR6 (w/ flush mounted starter solenoid)	1992-95	USA	0D082000-0G201874	72370	-	N/A
V-150 XR6 (w/ rubber bushing mount starter solenoid)	1992-95	USA	0D082000-0G201874	-	-	N/A
V-150 XR6 (w/ flush mounted starter solenoid)	1992-95	USA	0G201875-0G303045	72370	N/A	73040
V-150 XR6 (w/ rubber bushing mount starter solenoid)	1992-95	USA	0G201875-0G303045	-	N/A	73040
V-150 XR6	1996-98	USA	0G303046 and Up	-	N/A	73040
V-175 (V-175, V-1750)	1976-81	USA	4301235-6618750	72370	72370	N/A
V-175 (V-175, V-1750)	1976-81	AUS	8058870 and Up	72370	72370	N/A
V-175 (w/ 1/4-20 starter solenoid terminals)	1985-88	USA	6618751-0C100860	-	72400	N/A
V-175 (w/ 5-16-18 starter solenoid terminals)	1985-88	USA	6618751-0C100860	72370	72400	N/A
V-175	1989-90	USA	0C100861-0C239552	72370	72400	N/A
V-175 (w/ standard color trim solenoid)	1991	USA	0C239553-0D081999	72370	72400	N/A
V-175 (w/ off white color trim solenoid)	1991	USA	0C239553-0D081999	72370	-	N/A
V-175 (w/ flush mounted starter solenoid)	1992-95	USA	0D082000-0G201874	72370	-	N/A
V-175 (w/ rubber bushing mount starter solenoid)	1992-95	USA	0D082000-0G201874	-	-	N/A
V-175 (w/ flush mounted starter solenoid)	1992-95	USA	0G201875-0G303045	72370	N/A	73040
V-175 (w/ rubber bushing mount starter solenoid)	1992-95	USA	0G201875-0G303045	-	N/A	73040
V-175	1996-98	USA	0G303046 and Up	-	N/A	73040
V-175 EFI (w/ standard color trim solenoid)	1991	USA	0D000750-0D081999	72370	72400	N/A
V-175 EFI (w/ off white color trim solenoid)	1991	USA	0D000750-0D081999	72370	-	N/A
V-175 EFI (w/ flush mounted starter solenoid)	1992-95	USA	0D082000-0G201874	72370	-	N/A
V-175 EFI (w/ rubber bushing mount starter solenoid)	1992-95	USA	0D082000-0G201874	-	-	N/A
V-175 EFI (w/ flush mounted starter solenoid)	1992-95	USA	0G201875-0G303045	72370	N/A	73040
V-175 EFI (w/ rubber bushing mount starter solenoid)	1992-95	USA	0G201875-0G303045	-	N/A	73040
V-175 EFI	1996-98	USA	0G303046 and Up	-	N/A	73040
V-200 (V-200, V-2000)	1978-81	USA	4839034-6073191	72370	72370	N/A
V-200 (V-200, V-2000)	1980-81	AUS	8061595-8065672	72370	72370	N/A
V-200	1982-84	USA	6073192-6625220	-	72400	N/A
V-200 (w/ 1/4-20 starter solenoid terminals)	1985-88	USA	6625221-0C100860	-	72400	N/A
V-200 (w/ 5/16-18 starter solenoid terminals)	1985-88	USA	6625221-0C100860	72370	72400	N/A
V-200	1989-90	USA	0C100861-0C291519	72370	72400	N/A
V-200 (2.5L) (w/ standard color trim solenoid)	1991	USA	0C291520-0D081999	72370	72400	N/A
V-200 (2.5L) (w/ off white color trim solenoid)	1991	USA	0C291520-0D081999	72370	-	N/A
V-200 (w/ flush mounted starter solenoid)	1992-95	USA	0D082000-0G201874	72370	-	N/A
V-200 (w/ rubber bushing mount starter solenoid)	1992-95	USA	0D082000-0G201874	-	-	N/A
V-200 (w/ flush mounted starter solenoid)	1992-95	USA	0G201875-0G303045	72370	N/A	73040
V-200 (w/ rubber bushing mount starter solenoid)	1992-95	USA	0G201875-0G303045	-	N/A	73040
V-200	1996-98	USA	0G303046 and Up	-	N/A	73040
V-200 EFI (2.4L)	1989-90	USA	0C100861-0C291519	72370	72400	N/A
V-200 EFI (2.5L) (w/ standard color trim solenoid)	1991	USA	0C291520-0D081999	72370	72400	N/A
V-200 EFI (2.5L) (w/ off white color trim solenoid)	1991	USA	0C291520-0D081999	72370	-	N/A
V-200 EFI (w/ flush mounted starter solenoid)	1992-95	USA	0D082000-0G201874	72370	-	N/A
V-200 EFI (w/ rubber bushing mount starter solenoid)	1992-95	USA	0D082000-0G201874	-	-	N/A
V-200 EFI (w/ flush mounted starter solenoid)	1992-95	USA	0G201875-0G303045	72370	N/A	73040
V-200 EFI (w/ rubber bushing mount starter solenoid)	1992-95	USA	0G201875-0G303045	-	N/A	73040
V-200 EFI	1996-98	USA	0G303046 and Up	-	N/A	73040
V-200 DFI (3.0L)	1997	USA	0G386496 and Up	-	N/A	73040
V-220 Laser	1987-88	USA	0B117316 and Up	72370	72400	N/A
V-225 (2.4L)	1980-81	USA	5628028 and Up	72370	72370	N/A
V-225 (3.0L)	1994-98	USA	0D280813-0G129221	-	-	N/A
V-225 (3.0L) (w/ trim solenoids)	1995-98	USA	0G129222-0G303045	-	-	N/A
V-225 (3.0L) (w/ trim relays)	1995-98	USA	0G129222-0G303045	-	N/A	73040
V-225 (3.0L)	1994-98	USA	0G303045 and Up	-	N/A	73040
V-225 Sea Pro, Marathon	1994-98	USA	0G245605 and Up	-	N/A	73040
V-225 DFI	1998	USA	0G590000 and Up	-	N/A	73040
V-225, 250 EFI	1995-98	USA	0G129222 and Up	-	N/A	73040
V-250, 275 (3.4L)	1989-94	USA	0C101891 and Up	72370	72400	N/A
V-300 (3.4L)	1980-81	USA	5611648 and Up	72370	72400	N/A

Head Gasket Identification 1, 2, 3 & L4-Cylinder

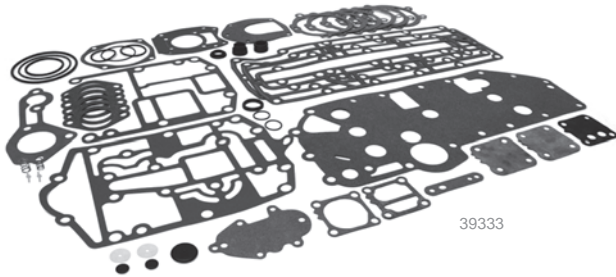
36330	OEM: 27-803508 4, 5, 6 HP, 1-Cyl., 4-Stroke	
36340	OEM: 27-803508-2 Late 4, 5, 6 HP, 1-Cyl., 4-Stroke	
36350	OEM: 27-825482-1 8 (232cc), 9.9 HP, 2-Cyl., 4-Stroke	
36360	OEM: 27-8M0052705 8 & 9.9 (323cc), 13.5 & 15 HP, 2-Cyl., 4-Stroke	
36370	OEM: 27-834777 30, 30EFI, 40, 40EFI HP, 3-Cyl., 4-Stroke	
36380	OEM: 27-857081 40, 40EFI, 50, 50 EFI, 60, 60EFI HP L4-Cyl., 4-Stroke	
36390	OEM: 27-804115-1 75, 90, 115EFI HP L4-Cyl., 4-Stroke	
33890	OEM: 27-18937 9.9c, 15c, K & W15 HP, 2-Cyl., Early Mariner	
33880	OEM: 27-19138 30A, W30 (w/ Marathon) HP, 2-Cyl., Early Mariner	

Head Gasket Identification 60° V6

35880	OEM: 27-96542-1, 27-96281T01 V6 2.0L Loopcharged (1976-1990) use w/ Rod No. 636-8118 For \varnothing 3.125" Piston	
35850	OEM: 27-18785T V6 2.0L Loopcharged (1992-2000) use w/ Rod No. 644-818141 For \varnothing 3.125" Piston	
35910	OEM: 27-79583-1 V6 2.0L Loopcharged (1976-1998) For \varnothing 3.125" Piston	
35870	OEM: 27-822844T04 V6 2.5L Loopcharged (1978-2000) For \varnothing 3.501" Piston	
35890	OEM: 27-18786T V6 2.4L Loopcharged (1978-1988) XR4, Mag II & 175 For \varnothing 3.375" Piston	
35860	OEM: 27-41246-1 V6 2.4L Loopcharged (1978-1998) For \varnothing 3.375" Piston	
35900	OEM: 27-41245-1 V6 2.4L Loopcharged (1978-1988) 200, 2000 For \varnothing 3.375" Piston	
36290	OEM: 27-820438 70, 75, 90 HP 3-Cyl., Force	
36300	OEM: 27-824615-2 120, 120XR, 120XR2 L4-Cyl., Force	

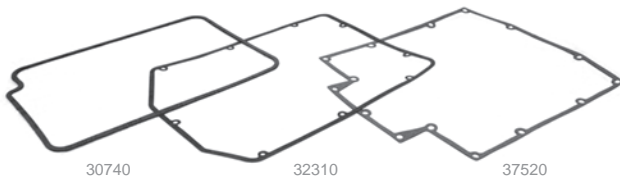
GLM Products, Inc.

Powerhead Gasket Kits



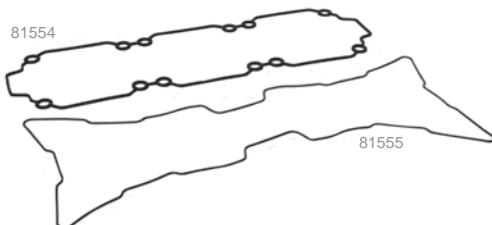
Mercury & Mariner	
39560 OEM: 27-77671A81, 27-89221A80	39440 OEM: 27-90484A88
39330 OEM: 27-78028A78	39331 OEM: 27-13461A99
39340 OEM: 27-79583A81	39332 OEM: 27-14697A87
39550 OEM: 27-85653A87	39333 OEM: 27-43004A99
39240 OEM: 27-88449A32	39335 OEM: 27-41499A87
39180 OEM: 27-69524A75	39520 OEM: 27-815791A92
39190 OEM: 27-72486A32	39900 OEM: 27-42364A92
39140 OEM: 27-52893A72	39336 OEM: 27-43779A87
39150 OEM: 27-64203A75	39337 OEM: 27-85491A90
39210 OEM: 27-73645A87	39339 OEM: 27-812867A97
39338 OEM: 27-78028A78	39341 OEM: 27-828553A97
39450 OEM: 27-11338A88	39342 OEM: 27-814195A93
39250 OEM: 27-89221A88	39343 OEM: 27-832934A00
Force	
37000 OEM: 27-809753A1	3-Cylinder
37040 OEM: 27-820725A1	3-Cylinder (3 Carb.)
37050 OEM: 27-809122A2	3-Cylinder (3 Carb.)
37060 OEM: 27-820724A2	70, 75 HP, 3-Cyl. (1998 & Below)
37070 OEM: 27-809125A2	4-Cylinder
37010 OEM: 27-809754A1	4-Cylinder

Sound Attenuator Gaskets



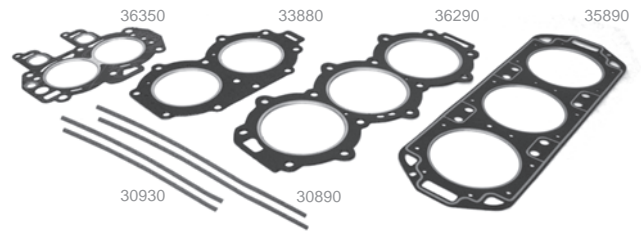
30740 OEM: 27-67275-1	135, 150, 175, 200 HP, V6
37520 OEM: 27-18889-1	135, 150, 175, 200 (2.5L) HP, V6
32310 OEM: 27-87736-1	200, 225 (2.4L) HP, V6

Cylinder Head Seals



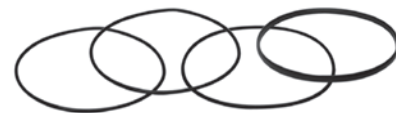
81554 OEM: 858452-1	V6 2.5L (1998 & Up)
81555 OEM: 818574	V6 3.0L (1998 & UP)

Head Gaskets & Crankcase Gaskets



1, 2, 3 & L4-Cylinder	
36330 OEM: 27-803508	4, 5, 6 HP, 1-Cyl., (4-Stroke)
36340 OEM: 27-803508-2	Late 4, 5, 6 HP, 1-Cyl. (4-Stroke)
36350 OEM: 27-825482-1	8 (232cc), 9.9HP, 2-Cyl. (4-Stroke)
36360 OEM: 27-8M0052705	8 (323cc), 9.9 (323cc), 13.5, 15 HP 2-Cyl. (4-Stroke)
36370 OEM: 27-834777	30, 30EFI, 40, 40EFI HP, 3-Cyl. (4-Stroke)
36380 OEM: 27-857081	40, 40EFI, 50, 50EFI, 60, 60 EFI, L4-Cyl. (4-Stroke)
36390 OEM: 27-804115-1	75, 90, 115EFI, L4-Cyl. (4-Stroke)
Early Mariner 2-Cylinder	
33890 OEM: 27-18937	9.9c, 15c, K, W15 HP
33880 OEM: 27-19138	30A, W30 (w/ Marathon) HP
60° V6 - Mercury & Mariner	
35880 OEM: 27-96542-1	V6 2.0L Loopcharged (1976-1990) use with Rod No. 636-8118
35850 OEM: 27-18785T	V6 2.0L Loopcharged (1992-2000) use with Rod No. 644-818141
35910 OEM: 27-79583-1	V6 2.0L Loopcharged (1976-1998)
35870 OEM: 27-822844T04	V6 2.5L Loopcharged (1978-2000)
35890 OEM: 27-18786T	V6 2.4L Loopcharged (1978-1998) XR4, Magnum III, 175 Model
35860 OEM: 27-41246-1	V6 2.4L Loopcharged (1978-1998)
35900 OEM: 27-41245-1	V6 2.4L Loopcharged (1978-1988) 200, 2000 Model
Force	
36290 OEM: 27-820438	70, 75, 90 HP, 3-Cyl. (1991-1995)
36300 OEM: 27-824615-2	120, 120XR, 120XR2, L4 (1996-2000)
Crankcase Gaskets	
30450 OEM: 27-55158	35, 40 HP, 2-Cyl.
30930 OEM: 27-60286	50, 60, 650, 70 HP, 3-Cyl.
30430 OEM: 27-53650	75, 80, 800, 85, 850 HP, L4-Cyl.
31580 OEM: 27-53862	90-275 HP, L6-Cyl. & V6
30890 OEM: 27-11338	135-220 HP, V6

Cylinder Head O-rings



81551 OEM: 25-818573	Early 3.0L
81552 OEM: 878453	Late 3.0L
81553 OEM: 859772-1	V6 2.5L
81560 OEM: 25-88923	3.4L

TOC

Manifolds-Merc.

Manifolds-OMC

Manifolds-Volvo

Manifolds-Barr

MerCruiser

Merc/Mar/For

OMC/Volvo

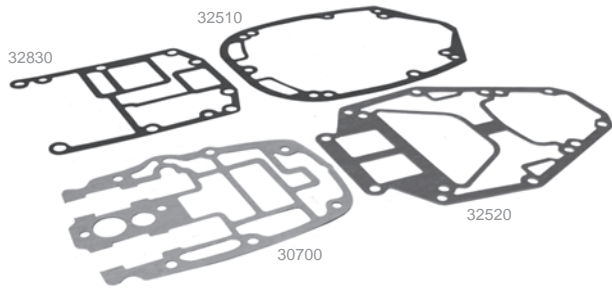
Johnson/Evin

Yamaha

Index / X-Ref.

Warranty

PowerHead Mounting Gaskets



**1, 2, 3, L4 & L6-Cylinder -
Cylinder Block (Powerhead) to Mounting Plate**

32110	OEM: 27-89937	4, 4.5, 7.5, 9.8 HP, 1-Cyl.
35570	OEM: 27-19186-1	6, 8, 9.9, 10, 15 HP 2-Cyl.
32780	OEM: 27-41670006	15, 18, 20, 25 HP 2-Cyl.
30170	OEM: 27-39401	20 (200) HP 2-Cyl.
31640	OEM: 27-62860-1	35 HP 2-Cyl.
37861	OEM: 27-828553	30, 40, 45 Jet, 50, 55, 60 HP 3-Cyl.
31980	OEM: 27-88451-1	30, 35, 40, 45, 50, 60 HP 3 & 4-Cyl.
30570	OEM: 27-60317	65 (650) HP 3-Cyl.
30990	OEM: 27-79650-1	45, 50 HP, L4-Cyl.
32830	OEM: 27-43007-5	65-125 HP 3 & L4-Cyl.
31450	OEM: 27-47257	65 (650), 90 (900), 100 (1000), 110 (1100) HP L4 & L6-Cyl.
31720	OEM: 27-69238-1	75, 80, 85, 90, 115, 140 HP L4 & L6-Cyl.

Mounting Plate to Drive Shaft Housing

30180	OEM: 27-39402	20 (200) HP 2-Cyl.
31400	OEM: 27-38501-1	30, 35, 40, 45, 50, 60 HP 3 & 4-Cyl.
37610	OEM: 27-43008-6	54-125 HP 3 & L4-Cyl.
30330	OEM: 27-48801	65 (650), 80 (800), 115 (1150), 125 (1250), 135 (1350) HP, L4-Cyl.
30160	OEM: 27-38471	65 (650), 90 (900), 100 (1000), 110 (1100) HP, L4 & L6-Cyl.
30700	OEM: 27-66102-1	75, 80, 85, 90, 115, 140 HP L4 & L6-Cyl.
30710	OEM: 27-66335	85 (850), 115 (1150), 150 (1500) HP, L4-Cyl.

Force - 3 & 4 Cylinder

32840	OEM: 27-826550	3 & 4-Cyl.
32841	OEM: 27-826549	3 & 4-Cyl.

V6 - Cylinder Block (Powerhead) to Mounting Plate

32540	OEM: 27-99776-1	135, 150 (1500), 175 (1750) HP, SN# 6042946 & Up
32520	OEM: 27-99176-4	135, 150, 175 (1750), 200 HP, V6 SN# 6618751 & Up
31870	OEM: 27-75909	175 (1750) HP, V6, SN# 6618750 & Below
37620	OEM: 27-823142-2	150-225 HP, 2.5L, V6

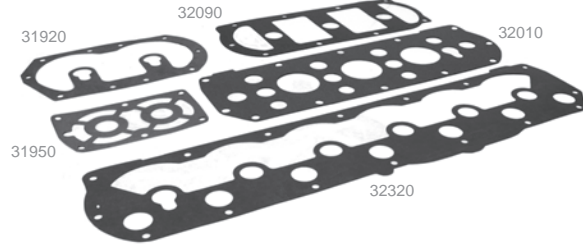
V6 - Exhaust Plate to Mounting Plate

37570	OEM: 27-18307-6	115-200 HP, 2.5L, V6
--------------	-----------------	----------------------

V6 - Mounting Plate to Drive Shaft Housing

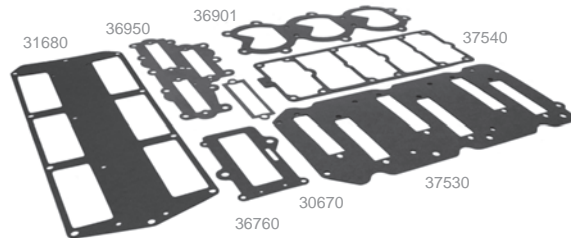
32510	OEM: 27-991744	140 Jet, 115, 135, 140, 150, 175, 200, 225 HP V6
32530	OEM: 27-99177-2	135, 150, 175 (1750), 200 HP V6 SN# 6618751 & Up
32870	OEM: 27-75786	175 (1750) HP, V6, SN# 6618750 & Below

Cylinder Block Cover Gaskets



31950	OEM: 27-41382	7.5, 9.8 HP, 2-Cyl.
30260	OEM: 27-43777-2	30 Jet, 40, 45 HP, 4-Cyl.
31920	OEM: 27-856729	35, 40 HP, 2-Cyl.
31890	OEM: 27-85487	45, 50 HP, 4-Cyl.
30270	OEM: 27-43779-2	50, 60 HP, 3-Cyl.
32090	OEM: 27-88449	70 HP, 3-Cyl.
32420	OEM: 27-96171-1	75 HP, 3-Cyl.
37660	OEM: 27-43005-7	65 Jet, 75, 90 HP, 3-Cyl.
32010	OEM: 27-85493	80 (800) HP, 4-Cyl.
37670	OEM: 27-4A328-4	80 Jet, 100, 115, 125 HP, 4-Cyl.
32320	OEM: 27-98185-3	90, 115 HP, L6-Cyl.
30680	OEM: 27-65788	150-220 HP, V6 Design I
32440	OEM: 27-96278	150-220 HP, V6 Design II
37460	OEM: 27-819024-2	Force - 4-Cyl.
30980	OEM: 27-78410	Force - 9.9, 20 (200) HP

Reed Block Gaskets



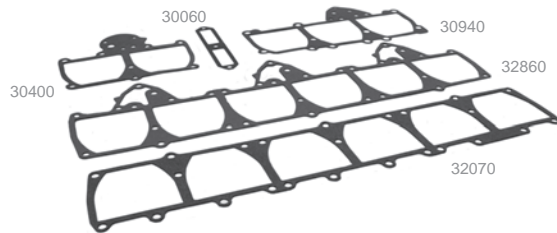
36750	OEM: 27-41417-2	15, 20, 25 HP, 2-Cyl.
36760	OEM: 27-41418-1	15, 20, 25 HP, 2-Cyl. Carb Adaptor Plate
36900	OEM: 27-812868	30, 40, 45 Jet, 50, 55, 60 HP, 3-Cyl.
36901	OEM: 27-812869	30, 40, 45 Jet, 50, 55, 60 HP, 3-Cyl.
32220	OEM: 27-13937-6	75-125 HP, 3 & L4-Cyl.
30670	OEM: 27-65744-3	175 (1750), 200 (2000), 250, 275 HP V6
32450	OEM: 27-96761-1	200 (2000) HP, V6
30970	OEM: 12775-4	200 HP, 2.5L EFI, V6
36902	OEM: 27-850283	200 DFI, 225 DFI, 3.0L, V6
37550	OEM: 27-813859	200 HP, 240 EFI, Jet V6
36903	OEM: 27-814195-1	200, 225, 250, 300 HP, 3.0L, V6
37530	OEM: 27-14697-1	Most V6
37540	OEM: 27-16737-1	V6 Adaptor Plate
31680	OEM: 27-93536-1	V6 Reed Block Housing

Force

36940	OEM: 27-819114	70, 75 HP 3-Cyl. (1998 & Below)
36950	OEM: 27-819113	70, 75 HP 3-Cyl. (1998 & Below)
30017	OEM: 27-819733	3-Cyl. (Carb.)
37220	OEM: 27-F85168-2	3-Cyl. (Carb.)
37320	OEM: 27-828316	4-Cyl.
37370	OEM: 27-F406406	4-Cyl.

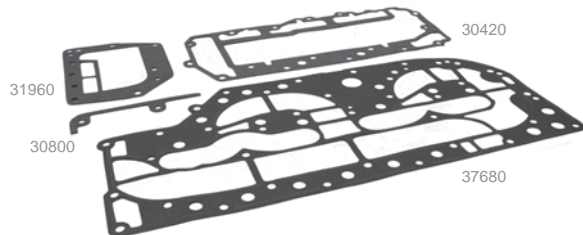
GLM Products, Inc.

Transfer Port Cover Gaskets



30060	OEM: 27-27936-1	30 Jet, 40, 45 HP, L4-Cyl.
31600	OEM: 27-55279-1	35 HP, 2-Cyl.
30940	OEM: 27-76862-1	50, 60, 70 HP, 3-Cyl.
37120	OEM: 27-820500-3	3 & 4-Cyl. Force, Sport Jet
30880	OEM: 27-73645	75, 80 (800), 85 (850) HP, L4-Cyl.
32850	OEM: 27-62107	80 (800), 85 (850) HP, L4-Cyl.
30400	OEM: 27-52891	80 (800), 1000 BP, 150 BP, 4-Cyl.
32070	OEM: 27-856730	90, 115, 140 HP, L6-Cyl.
32860	OEM: 27-64941	90 (900), 115 (1150), 140 (1400), 1150 HP, L6-Cyl.

Baffle Plate-Exhaust Manifold Gaskets

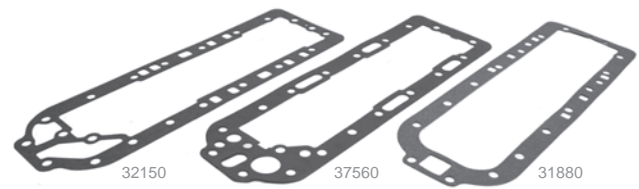


31960	OEM: 27-78409	20 (200) HP
31970	OEM: 27-78411	20 (200) HP
30770	OEM: 27-69525-2	50, 60, 65 (650), 70 HP, 3-Cyl.
30800	OEM: 27-70335-1	50, 60, 65 (650), 70 HP, 3-Cyl.
30550	OEM: 27-60309	65 (650) HP, 3-Cyl.
30650	OEM: 27-60308	65 (650) HP, 3-Cyl.
37450	OEM: 27-819023-1	Force 70, 75 HP, 3-Cyl. (Carb.)
30410	OEM: 27-52894	80 (800) HP, 4-Cyl.
30420	OEM: 27-52895	80 (800) HP, 4-Cyl.
31930	OEM: 27-78035	7.5 (75), 11 (110) HP, 2-Cyl.
31780	OEM: 27-85491-3	30 Jet, 40, 45, 50 HP, 4-Cyl.
31790	OEM: 27-85492-4	30 Jet, 40, 45, 50 HP, 4-Cyl.
31910	OEM: 27-856728	35, 40 HP, 2-Cyl.
32930	OEM: 27-85488-2	35, 40 HP, 2-Cyl.
30760	OEM: 27-69524-2	50, 60, 65 (650), 70 HP, 3-Cyl.
30640	OEM: 27-64859	65 (650) HP, 3-Cyl.
37650	OEM: 27-43004-7	65 Jet, 75, 90 HP, 3-Cyl.
32940	OEM: 27-85496-1	75 HP, 4-Cyl.
32950	OEM: 27-85498-1	75 HP, 4-Cyl.
32050	OEM: 27-85497-2	90, 115 HP, L6-Cyl.
32280	OEM: 27-85495-2	90, 115 HP, L6-Cyl.

Baffle Plate - Exhaust Cover Gaskets

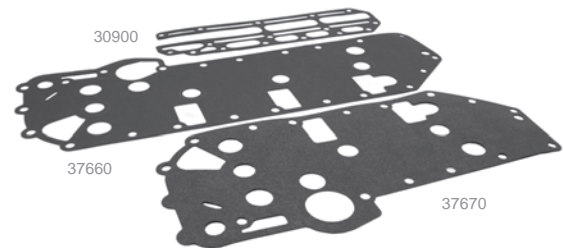
37640	OEM: 27-13958-1	80 Jet, 100, 115, 125 HP, L4-Cyl. For use w/ 44324C1 & 44325C1
37680	OEM: 27-812775-4	80 Jet, 100, 115, 125 HP, L4-Cyl. For use w/ 44324C2 & 44325C2
37690	OEM: 27-812775-5	80 Jet, 100, 115, 125 HP, L4-Cyl. For use w/ 44324C2

V6 Divider Plate Gaskets



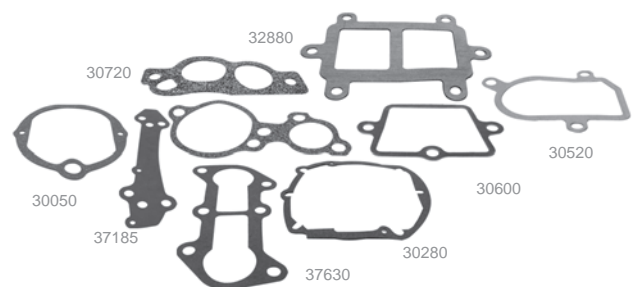
32150	OEM: 27-90484-1	135, 150, 220, 225 (2.4L) HP, XR4
37560	OEM: 27-19050-3	140 Jet, 150 Jet, 135-200 (2.5L) HP
31880	OEM: 27-76636	150, 175, 200 HP

Water Jacket Cover Gaskets



37660	OEM: 27-43005-7	65 Jet, 75, 90 HP, 3-Cyl.
30900	OEM: 27-73665	75, 80, 85 HP, L4-Cyl.
37670	OEM: 27-44328-4	80 Jet, 100, 115, 125 HP, L4-Cyl.
31730	OEM: 27-72142-1	90, 115 HP, L6-Cyl.

Miscellaneous Gaskets



30620	OEM: 27-62396	35, 40 HP - Cover Mounting Bracket to Block
30720	OEM: 27-66847	35, 40 HP - Cover Mounting Bracket to Block
30310	OEM: 27-47190	50, 60 HP - Ignition Drive Cap
30520	OEM: 27-60280-1	50, 60 HP - Exhaust Plate to Exhaust Tube
30780	OEM: 27-69860	80, 85 HP, L4-Cyl. - D.S. Hsg. Plate to Exhaust Ext.
37630	OEM: 27-13461-2	80 Jet, 100, 115, 125 HP, L4-Cyl. Induction Manifold
30070	OEM: 27-29166	300, 400, 450, 500, 650, L4-Cyl. Magneto Cover
30050	OEM: 27-25725	450, 500, 650, L4-Cyl. - End Cap Cvr.
37185	OEM: 27-F686472	Force - 4-Cyl. - Bypass Gasket
30280	OEM: 27-46351	500, 650, 950, 1100, 1250, L4 & L6-Cyl. Adaptor to Primary Housing
30600	OEM: 27-62362	L6-Cyl. - Megaphone to D.S. Hsg.
31990	OEM: 27-78690	V6 - Relief Value Plate
32880	OEM: 27-78246-1	V6 - D.S. Hsg. Plate to Exhaust Ext.

POWERHEAD GASKET KIT, HEAD GASKET, O-RING & SEAL APPLICATION

Model	Year	Origin	Serial No. Range	Head Gasket Kit	Head O-rings	Head Gaskets	Head Seals
4 (4-Stroke)	1999 & Up	JPN	0R000001-0R057259	-	N/A	36330	N/A
4 (4-Stroke)	1999 & Up	JPN	0R057260-0R067089	-	N/A	36330	N/A
4 (4-Stroke)	1999 & Up	JPN	0R067090 and Up	-	N/A	36330	N/A
5 (4-Stroke)	1999 & Up	JPN	0R000001-0R057259	-	N/A	36330	N/A
5 (4-Stroke)	1999 & Up	JPN	0R057260-0R067089	-	N/A	36330	N/A
5 (4-Stroke)	1999 & Up	JPN	0R067090 and Up	-	N/A	36330	N/A
6	1986-93	USA	0A197112-0T800749	39900	N/A	N/A	N/A
6	1986-93	BEL	9461526 and Up	39900	N/A	N/A	N/A
6 (4-Stroke)	1999 & Up	JPN	0R000001-0R057259	-	N/A	36330	N/A
6 (4-Stroke)	1999 & Up	JPN	0R057260-0R067089	-	N/A	36330	N/A
6 (4-Stroke)	1999 & Up	JPN	0R067090 and Up	-	N/A	36340	N/A
8	1986-93	USA	0A197112 and Up	39900	N/A	N/A	N/A
8	1986-93	BEL	9461526 and Up	39900	N/A	N/A	N/A
8 (4-Stroke) (232cc)	1995-98	USA	0H000058-0H017349	-	N/A	36350	N/A
8 (4-Stroke) (232cc)	1995-98	USA	0G760300-0T178499	-	N/A	36350	N/A
8 (4-Stroke) (232cc)	1995-98	BEL	0P086824-0P325499	-	N/A	36360	N/A
8 (4-Stroke) (232cc)	1995-98	JPN	0R042475 and Up	-	N/A	36360	N/A
8 (4-Stroke) (232cc)	1995-98	BEL	0P325500 and Up	-	N/A	36360	N/A
9.9	1986-93	USA	0A197112 and Up	39900	N/A	N/A	N/A
9.9	1986-93	BEL	9461526 and Up	39900	N/A	N/A	N/A
9.9 (4-Stroke) (232cc)	1995-98	USA	0H000058-0H017349	-	N/A	36350	N/A
9.9 (4-Stroke) (323cc)	1999	USA	0G760300-0T979999	-	N/A	36360	N/A
9.9 (4-Stroke) (323cc)	1999	BEL	0P075166-0P325499	-	N/A	36360	N/A
9.9 (4-Stroke)	1995-98	JPN	0R042475 and Up	-	N/A	36360	N/A
9.9 (4-Stroke)	1995-98	BEL	0P325500 and Up	-	N/A	36360	N/A
10 (Marathon XR10, Sea Pro)	1990-93	USA	0D038000 and Up	39900	N/A	N/A	N/A
10 (Marathon XR10, Sea Pro)	1990-93	BEL	9596000 and Up	39900	N/A	N/A	N/A
10 (Marathon / Marathon)	1990-98	USA	0D038000 and Up	39900	N/A	N/A	N/A
10 (Marathon / Marathon)	1990-98	BEL	9596000 and Up	39900	N/A	N/A	N/A
15	1988-93	USA	0B292414 and Up	39900	N/A	N/A	N/A
15	1988-93	BEL	9542620 and Up	39900	N/A	N/A	N/A
15 (Super)	1994-98	USA	0B238464 and Up	39335	N/A	N/A	N/A
15 (Super)	1994-98	BEL	9507381 and Up	39335	N/A	N/A	N/A
15 (Super)	1994-98	CAN	0A730007 and Up	39335	N/A	N/A	N/A
15 (4-Stroke)	1998	USA	0G760300 and Up	-	N/A	36360	N/A
15 (4-Stroke)	1998	BEL	0P075166 and Up	-	N/A	36360	N/A
18 (18 XD)	1983 1/2	USA	6416713-6443972	39335	N/A	N/A	N/A
18 (18 XD)	1983 1/3	BEL	9378116-7209532	39335	N/A	N/A	N/A
18 (18 XD)	1984-85	CAN	7207858-7209532	39335	N/A	N/A	N/A
20 (20, 20XD, 200)	1986-87	USA	6443973 and Up	39335	N/A	N/A	N/A
20 (20, 20XD, 200)	1986-87	BEL	9415101 and Up	39335	N/A	N/A	N/A
20 (20, 20XD, 200)	1986-87	CAN	7209533 and Up	39335	N/A	N/A	N/A
20 Jet	1994-98	USA	0G044027 and Up	39335	N/A	N/A	N/A
20 Jet	1994-98	BEL	9807909 and Up	39335	N/A	N/A	N/A
25 (25, 25XD)	1984-87	USA	6416713-0T979999	39335	N/A	N/A	N/A
25 (25, 25XD)	1983 1/2	BEL	9378116-0P325499	39335	N/A	N/A	N/A
25 (25, 25XD)	1983 1/2	CAN	7207858 and Up	39335	N/A	N/A	N/A
30 (4-Stroke) (3-Cyl.) Carb.	1999 & Up	USA	0G760300-0T408999	-	N/A	36370	N/A
30 (4-Stroke) (3-Cyl.) Carb.	1999 & Up	USA	0T409000-1B226999	-	N/A	36370	N/A
30 (4-Stroke) (3-Cyl.) Carb.	1999 & Up	BEL	0P153500-0P400999	-	N/A	36370	N/A
30 (4-Stroke) (3-Cyl.) EFI	1999 & Up	USA	0T409000-1B226999	-	N/A	36370	N/A
30 Jet (40HP) (4-Cyl.)	1994-97	USA	0C159200 and Up	39337	N/A	N/A	N/A
30 Jet (40HP) (4-Cyl.)	1998	BEL	9570790 and Up	39337	N/A	N/A	N/A
35 (2-Cyl.)	1984-86	USA	6445653-0B110788	39330	N/A	N/A	N/A
35 (2-Cyl.)	1984-86	BEL	9384476-9466646	39330	N/A	N/A	N/A
35 (2-Cyl.)	1984-86	CAN	7209608 and Up	39330	N/A	N/A	N/A
40 (40, 402) (2-Cyl.)	1972-74	USA	3336258-0G053313	39330	N/A	N/A	N/A
40 (40, 402) (2-Cyl.)	1972-74	AUS	8002335 and Up	39330	N/A	N/A	N/A
40 (40, 402) (2-Cyl.)	1972-74	BEL	3339688 and Up	39330	N/A	N/A	N/A
40 (2-Cyl.)	1972-74	CAN	3340783 and Up	39330	N/A	N/A	N/A
40 (4-Cyl.)	1989 & Up	USA	0C159200 and Up	39337	N/A	N/A	N/A
40 (4-Cyl.)	1989 & Up	BEL	9570790 and Up	39337	N/A	N/A	N/A
40 (4-Stroke) (3-Cyl.) Carb.	1998	USA	0G760300-0T408999	-	N/A	36370	N/A
40 (4-Stroke) (3-Cyl.) Carb.	1998	USA	0T409000 and Up	-	N/A	36370	N/A
40 (4-Stroke) (3-Cyl.) Carb.	1998	BEL	0P153500 and Up	-	N/A	36370	N/A
40 (4-Stroke) (3-Cyl.) EFI	1998	USA	0T409000 and Up	-	N/A	36370	N/A
40 (4-Stroke) (3-Cyl.) EFI	1998	CHN	1C000001 and Up	-	N/A	36370	N/A
40 (4-Stroke) (4-Cyl.) Carb.	1998	USA	0T228405-0T598999	-	N/A	36380	N/A
40 (4-Stroke) (4-Cyl.) EFI	1998	USA	0T409000 and Up	-	N/A	36380	N/A
40 (4-Stroke) (4-Cyl.) EFI	1998	CHN	1C000001 and Up	-	N/A	36380	N/A
45 (4-Cyl.)	1986	USA	5531630-0B110788	39190	N/A	N/A	N/A
45 (4-Cyl.)	1986	AUS	8063985 and Up	39190	N/A	N/A	N/A
45 (4-Cyl.)	1986	BEL	9248006-9466691	39190	N/A	N/A	N/A
45 (4-Cyl.)	1986	CAN	7143688-0A719280	39190	N/A	N/A	N/A
45 (4-Cyl.)	1987-89	USA	0B110789 and Up	39337	N/A	N/A	N/A
45 (4-Cyl.)	1987-89	BEL	9466692 and Up	39337	N/A	N/A	N/A

GLM Products, Inc.

POWERHEAD GASKET KIT, HEAD GASKET, O-RING & SEAL APPLICATION

Model	Year	Origin	Serial No. Range	Head Gasket Kit	Head O-rings	Head Gaskets	Head Seals
45 (4-Cyl.)	1987-89	CAN	0A719281 and Up	39337	N/A	N/A	N/A
50 (500) (4-Cyl.)	1965-67	USA	2116318 and Up	39190	N/A	N/A	N/A
50 (500) (4-Cyl.)	1965-67	CAN	2097445 and Up	39190	N/A	N/A	N/A
50 (500) (4-Cyl.)	1965-67	AUS	2863739 and Up	39190	N/A	N/A	N/A
50 (500) (4-Cyl.)	1965-67	BEL	9001581 and Up	39190	N/A	N/A	N/A
50 (3-Cyl.)	1986-87	USA	6428681-0B122929	39240	N/A	N/A	N/A
50 (3-Cyl.)	1986-87	BEL	9385911-9469199	39240	N/A	N/A	N/A
50 (3-Cyl.)	1986-87	CAN	7208333-0A721307	39240	N/A	N/A	N/A
50 (3-Cyl.)	1986-87	USA	0B122930-0D000749	39336	N/A	N/A	N/A
50 (3-Cyl.)	1986-87	BEL	9469200-9683054	39336	N/A	N/A	N/A
50 (3-Cyl.)	1986-87	CAN	0A721308 and Up	39336	N/A	N/A	N/A
50 (4-Stroke) (4-Cyl.) Carb.	1995-98	USA	0T178500-0T598999	-	N/A	36380	N/A
50 (4-Stroke) (4-Cyl.) Carb.	1995-98	BEL	0P094500-0P206999	-	N/A	36380	N/A
50 (4-Stroke) (4-Cyl.) EFI	1995-98	USA	0T409000 and Up	-	N/A	36380	N/A
50 (4-Stroke) (4-Cyl.) EFI	1995-98	BEL	0P153500 and Up	-	N/A	36380	N/A
50 (4-Stroke) (4-Cyl.) EFI	1995-98	CHN	1C000001 and Up	-	N/A	36380	N/A
55 (3-Cyl.)	1984-87	USA	6428681-0B122929	39240	N/A	N/A	N/A
55 (3-Cyl.)	1984-87	BEL	9385911-9469199	39240	N/A	N/A	N/A
55 (3-Cyl.)	1984-87	CAN	7208333-0A721307	39240	N/A	N/A	N/A
55 (3-Cyl.)	1988-90	USA	0B122930-0D000749	39336	N/A	N/A	N/A
55 (3-Cyl.)	1988-90	BEL	9469200-9683054	39336	N/A	N/A	N/A
55 (3-Cyl.)	1988-90	CAN	0A721308 and Up	39336	N/A	N/A	N/A
60 (3-Cyl.)	1984-87	USA	6428681-0B122929	39240	N/A	N/A	N/A
60 (3-Cyl.)	1984-87	BEL	9385911-9469199	39240	N/A	N/A	N/A
60 (3-Cyl.)	1984-87	CAN	7208333-0A721307	39240	N/A	N/A	N/A
60 (3-Cyl.)	1988-90	USA	0B122930-0D000749	39336	N/A	N/A	N/A
60 (3-Cyl.)	1988-90	BEL	9469200-9683054	39336	N/A	N/A	N/A
60 (3-Cyl.)	1988-90	CAN	0A721308 and Up	39336	N/A	N/A	N/A
60 (4-Stroke) (4-Cyl.) Carb	1965-66	USA	0T178500-0T598999	-	N/A	36380	N/A
60 (4-Stroke) (4-Cyl.) Carb	1965-66	BEL	0P094500-0P206999	-	N/A	36380	N/A
60 (4-Stroke) (4-Cyl.) EFI	1965-66	USA	0T409000 and Up	-	N/A	36380	N/A
60 (4-Stroke) (4-Cyl.) EFI	1965-66	BEL	0P153500 and Up	-	N/A	36380	N/A
60 (4-Stroke) (4-Cyl.) EFI	1965-66	CHN	1C000001 and Up	-	N/A	36380	N/A
65 (650) (3-Cyl.)	1973-76	USA	3293184-4382056	39180	N/A	N/A	N/A
65 (650) (3-Cyl.)	1973-75	AUS	8006640-8042349	39180	N/A	N/A	N/A
65 (650) (3-Cyl.)	1973-76	BEL	9020074-9112988	39180	N/A	N/A	N/A
65 (650) (3-Cyl.)	1973-76	CAN	7013633-7073472	39180	N/A	N/A	N/A
65 (650) (3-Cyl.)	1976	USA	4382057-4571651	39240	N/A	N/A	N/A
65 (650) (3-Cyl.)	1976	BEL	9112989-9135824	39240	N/A	N/A	N/A
65 (650) (3-Cyl.)	1976	CAN	7073473-7087822	39240	N/A	N/A	N/A
70 (3-Cyl.)	1977-79	USA	4571652-0A996141	39240	N/A	N/A	N/A
70 (3-Cyl.)	1977-79	AUS	8042350 and Up	39240	N/A	N/A	N/A
70 (3-Cyl.)	1977-79	BEL	9135825-9385910	39240	N/A	N/A	N/A
70 (3-Cyl.)	1977-79	CAN	7087823-7208332	39240	N/A	N/A	N/A
70 (3-Cyl.)	1987	USA	0A996142 and Up	39333	N/A	N/A	N/A
70 (3-Cyl.)	1987	BEL	9483121 and Up	39333	N/A	N/A	N/A
75 (4-Cyl.)	1984-88	USA	6432901 and Up	39210	N/A	N/A	N/A
75 (4-Cyl.)	1984-88	BEL	9393856 and Up	39210	N/A	N/A	N/A
75 (4-Cyl.)	1984-88	CAN	7208573 and Up	39210	N/A	N/A	N/A
75 (4-Stroke) (Carb)	1999 & Up	USA	0G960500-1B226999	-	N/A	36390	N/A
75 (4-Stroke) (EFI) (1596cc)	1999 & Up	USA	1B172291-1B366822	-	N/A	36390	N/A
80 (800) (4-Cyl.)	1969-72	-	2559001-3493912	39140	N/A	N/A	N/A
80 (80, 800) (4-Cyl.)	1978-79	USA	4831999-6432900	39210	N/A	N/A	N/A
80 (80, 800) (4-Cyl.)	1978-79	AUS	8050200 and Up	39210	N/A	N/A	N/A
80 (80, 800) (4-Cyl.)	1978-79	BEL	9177626-9393855	39210	N/A	N/A	N/A
80 (80, 800) (4-Cyl.)	1978-79	CAN	7110998-7208572	39210	N/A	N/A	N/A
80 (3-Cyl.)	1987	USA	0A996142 and Up	39210	N/A	N/A	N/A
80 (3-Cyl.)	1987	BEL	9483121 and Up	39333	N/A	N/A	N/A
80 Jet (4-Cyl.)	1994-98	USA	0D283222 and Up	39331	N/A	N/A	N/A
80 Jet (4-Cyl.)	1994-98	BEL	9793577 and Up	39331	N/A	N/A	N/A
85 (850)	1975	USA	4092965 and Up	39150	N/A	N/A	N/A
90 (900) (6-Cyl.)	1965	-	1766824-1869775	-	N/A	N/A	N/A
90 (90, 900) (6-Cyl.)	1978-79	USA	4845301 and Up	39550	N/A	N/A	N/A
90 (90, 900) (6-Cyl.)	1978-79	CAN	7111698 and Up	39550	N/A	N/A	N/A
90 (90) (6-Cyl.)	1980-83	AUS	8060545 and Up	39550	N/A	N/A	N/A
90 (3-Cyl.)	1987	USA	0A996142 and Up	39333	N/A	N/A	N/A
90 (3-Cyl.)	1987	BEL	9483121 and Up	39333	N/A	N/A	N/A
90 (4-Stroke)	1999 & Up	USA	0G960500-1B226999	-	N/A	36390	N/A
90 (4-Stroke) (EFI) (1596cc)	1999 & Up	USA	1B172291-1B366822	-	N/A	36390	N/A
95 (950) (6-Cyl.)	1966-67	-	1869776-2318585	-	N/A	N/A	N/A
100 (1000) (6-Cyl.)	1964-68	-	1768404-2641854	-	N/A	N/A	N/A
100 (4-Cyl.)	1988-98	USA	0B209468 and Up	39331	N/A	N/A	N/A
100 (4-Cyl.)	1988-98	BEL	9523034 and Up	39331	N/A	N/A	N/A
105 Jet (V6)	1996 & Up	USA	0D082000 and Up	39520	N/A	35850	N/A
115 (1150, 115) (6-Cyl.)	1973-79	USA	3525441 and Up	39550	N/A	N/A	N/A
115 (1150, 115) (6-Cyl.)	1973-79	AUS	8008665 and Up	39550	N/A	N/A	N/A
115 (1150, 115)	1978-79	CAN	7112248 and Up	39550	N/A	N/A	N/A

POWERHEAD GASKET KIT, HEAD GASKET, O-RING & SEAL APPLICATION

Model	Year	Origin	Serial No. Range	Head Gasket Kit	Head O-rings	Head Gaskets	Head Seals
115 (4-Cyl.)	1988-93	USA	0C100000 and Up	39331	N/A	N/A	N/A
115 (4-Cyl.)	1988-93	BEL	9559771 and Up	39331	N/A	N/A	N/A
115 (4-Stroke) (EFI) (1741cc)	1999 & Up	USA	0T209000-1B366822	-	N/A	36390	N/A
125 (4-Cyl.)	1994-98	USA	0D283222 and Up	39331	N/A	N/A	N/A
125 (4-Cyl.)	1994-98	BEL	9793577 and Up	39331	N/A	N/A	N/A
140 (140, 1400) (6-Cyl.)	1972	USA	3293234-3502805	39550	N/A	N/A	N/A
140 (140, 1400) (6-Cyl.)	1978-79	USA	4865678 and Up	39550	N/A	N/A	N/A
140 (140, 1400) (6-Cyl.)	1978-79	AUS	8052650 and Up	39550	N/A	N/A	N/A
140 (140, 1400) (6-Cyl.)	1978-79	CAN	7112773 and Up	39550	N/A	N/A	N/A
150 (1500) (6-Cyl.)	1973-78	USA	3502806-5327662	39550	N/A	N/A	N/A
150 (1500) (6-Cyl.)	1973-78	AUS	8005615-8052649	39550	N/A	N/A	N/A
150 (1500) (6-Cyl.)	1973-77	CAN	7010533-7112772	39550	N/A	N/A	N/A
V-135	1986-88	USA	0A904646-0C239552	39440	N/A	35880	N/A
V-135	1991	USA	0C239553-0G960499	39520	N/A	35850	N/A
V-135	1996-98	USA	0G960500-0T178499	-	N/A	35850	N/A
V-135 DFI	1992-95	USA	0C590000-0G960499	39338	N/A	N.L.A.	N/A
V-135 DFI	1998	USA	0G960500 and Up	39338	81553	N/A	81554
V-140 Jet	1996-98	USA	0D082000-0G960499	39520	N/A	35870	N/A
V-150 (150, 1500)	1973-77	USA	4868998-6042945	39340	N/A	35910	N/A
V-150	1982-90	USA	6042946-0C239552	39340	N/A	35910	N/A
V-150	1988-91	USA	0C239553-0G960499	39520	N/A	35850	N/A
V-150	1996-98	USA	0G960500 and Up	39338	81553	N/A	81554
V-150 (XR4 / Magnum II)	1988	USA	0B242885-0C239552	39450	N/A	35860	N/A
V-150 (XR4)	1991	USA	0C239553-0D081999	39520	N/A	35890	N/A
V-150 (XR6 / Magnum III)	1992-95	USA	0D082000-0G960499	39520	N/A	35870	N/A
V-150 (XR6 / Magnum III)	1996-98	USA	0G960500 and Up	39338	81553	N/A	81554
V-150 EFI	1993-98	USA	0D082000-0G960499	39520	N/A	35870	N/A
V-150 EFI	1996-98	USA	0G960500 -0T408999	39520	N/A	35870	N/A
V-150 EFI	1996-98	USA	0T409000 and Up	-	81553	N/A	81554
V-150 DFI	1998	USA	0D590000-0G960499	39338	N/A	N.L.A.	N/A
V-150 DFI	1998	USA	0G960500 and Up	39338	81553	N.L.A.	81554
V-175 (175, 1750)	1976-81	USA	4301235-6618750	39340	N/A	35910	N/A
V-175 (175, 1750)	1976-79	AUS	8058870 and Up	39340	N/A	35910	N/A
V-175	1985-88	USA	6618751-0C239552	39450	N/A	35860	N/A
V-175	1991	USA	0C239553-0D081999	39520	N/A	35890	N/A
V-175	1992-95	USA	0D082000-0G960499	39520	N/A	35870	N/A
V-175 EFI	1992-95	USA	0D000750-0D081999	39520	N/A	35890	N/A
V-175 EFI	1992-95	USA	0D082000-0G960499	39520	N/A	35870	N/A
V-175 EFI	1992-98	USA	0D960500-0T408999	-	81553	N/A	81554
V-175 EFI	1992-98	USA	0T409000-0T800999	-	81553	N/A	81554
V-175 EFI	1992-98	USA	0T178500 and Up	39338	81553	N/A	81554
V-200 (200, 2000)	1978-79	USA	4839034-6073191	39560	N/A	35900	N/A
V-200 (200, 2000)	1980-81	AUS	8061595-8065672	39560	N/A	35900	N/A
V-200	1982	USA	6073192-6203990	39560	N/A	35900	N/A
V-200	1983	USA	6203991-0C291519	39250	N/A	35860	N/A
V-200	1991	USA	0C291520-0D081999	39520	N/A	35870	N/A
V-200	1992-95	USA	0D082000 and Up	39520	N/A	35870	N/A
V-200	1996-98	USA	0G960500 and Up	-	81553	N/A	81554
V-200 EFI	1989-90	USA	0C100861-0C291519	39332	N/A	35860	N/A
V-200 EFI	1991	USA	0C291520-0G960499	39520	N/A	35870	N/A
V-200 EFI	1996-98	USA	0G960500-0T408999	-	81553	N/A	81554
V-200 EFI (2.5L)	1996-98	USA	0T409000 and Up	-	81553	N/A	81554
V-200 EFI (3.0L)	1996-98	USA	0T750164-0T598999	-	81552	N/A	81555
V-200 EFI (3.0L)	1996-98	USA	0T599000 and Up	-	-	N/A	81555
V-200 DFI (3.0L)	1997	USA	0G386496-0G589999	-	81551	N/A	81555
V-200 DFI (3.0L)	1998	USA	0G590000-0G960499	-	81551	N/A	81555
V-200 DFI (3.0L)	1998	USA	0G960500-0T178499	-	81551	N/A	81555
V-200 DFI (3.0L)	1998	USA	0T178500-0T598999	-	81552	N/A	81555
V-200 DFI (3.0L)	1998	USA	0T599000 and Up	-	-	N/A	81555
V-220	1987-88	USA	0B117316 and Up	39332	N/A	35860	N/A
V-225	1980-81	USA	5628028 and Up	39560	N/A	35900	N/A
V-225	1994-98	USA	0D280813-0T178499	-	81551	N/A	81555
V-225	1994-98	USA	0T178500-0T408999	-	81552	N/A	81555
V-225 Sea Pro	1994-98	USA	0G245605-0T408999	-	81551	N/A	81555
V-225 EFI (3.0L)	1995-98	USA	0G129222-0T408999	-	81551	N/A	81555
V-225 EFI (3.0L)	1995-98	USA	0T409000-0T598999	-	81552	N/A	81555
V-225 EFI (3.0L)	1995-98	USA	0T599000 and Up	-	81552	N/A	81555
V-225 DFI (3.0L)	1998	USA	0G590000-0G960499	-	81551	N/A	81555
V-225 DFI (3.0L)	1998	USA	0G960500-0T178499	-	81551	N/A	81555
V-225 DFI (3.0L)	1998	USA	0T178500-0T598999	-	81552	N/A	81555
V-225 DFI (3.0L)	1998	USA	0T599000 and Up	-	-	N/A	81555
V-250 EFI (3.0L)	1995-98	USA	0T409000-0T598999	-	81552	N/A	81555
V-225 EFI (3.0L)	1995-98	USA	0T599000 and Up	-	-	N/A	81555
V-250 (3.4L)	1989-94	USA	0C101891 and Up	-	81560	N/A	-
V-250 EFI (3.0L)	1995-98	USA	0G129222-0T408999	-	81551	N/A	81555
V-275 (3.4L)	1989-94	USA	0C101891 and Up	-	81560	N/A	-
V-300 (3.4L)	1980-87	USA	5611648 and Up	N.L.A.	81560	N/A	-

GLM Products, Inc.

Pinion Bearing Removal & Installation Tool Assembly Kit



90295 OEM: N/A Pinion Bearing Tool Assembly Kit
Installs & removes pinion bearing on V6 O/B gearcases.

Pinion Bearing Installation Tool



90260 OEM: 91-38628T GLM's new tool more precisely fits pinion bearing to avoid crooked seating

Driver Head



90270 OEM: 91-36569T Removes pinion bearing on V6 O/B gearcases.

Puller Rod



90280 OEM: 91-31229 Installs & removes pinion bearing
Used with No. 90260 & 90270

Spacer



90290 OEM: N/A Installs pinion bearing
Fits No. 90280

Prop & Bearing Carrier Puller

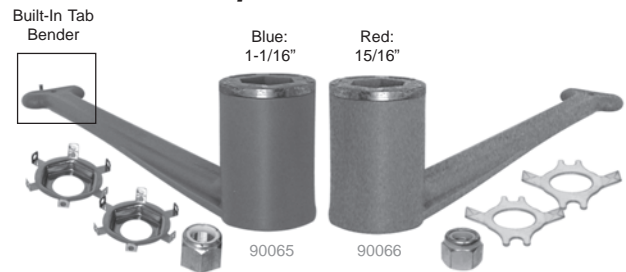
TOES IN
For prop & old style bearing carrier.



TOES OUT
For new style bearing carrier.

90095 OEM: N/A For MerCruiser all style bearing carrier and most prop. (5 ton min.)

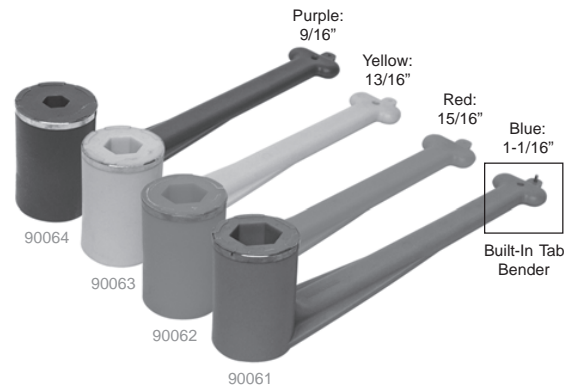
Prop Wrench Kits



90065 OEM: 91-8218871 Color Coded: Blue - 1-1/16"
For All MerCruiser, Mercury / Mariner / Force V4 & V6 & Honda BF75-BF130. With Built In Tab bender

90066 OEM: 91-856639A1 Color Coded: Red - 15/16"
For Mercury / Mariner / Force Outboard 30-65 HP, 70 HP 3-Cyl. (1989 & Before), 15-25 HP 4-Stroke

Prop Wrenches Color Coded



90061 OEM: 91-859046M4 Color Coded: Blue - 1-1/16"
With Built-In Tab Bender
75, 90, 100, 115, 125, 135, 150, 175, 200, 225, 250 HP

90062 OEM: 91-859046M3 Color Coded: Red - 15/16"
30, 40, 50, 60 HP

90063 OEM: 91-859046M2 Color Coded: Yellow - 13/16"
20, 25 HP

90064 OEM: 91-859046M1 Color Coded: Purple - 9/16"
6, 8, 9.9, 15 HP

TOC

Manifolds-Merc.

Manifolds-OMC

Manifolds-Volvo

Manifolds-Barr

MerCruiser

Merc / Mar / For

OMC / Volvo

Johnson / Evin

Yamaha

Index / X-Ref.

Warranty

Pinion Nut Adaptor Kit



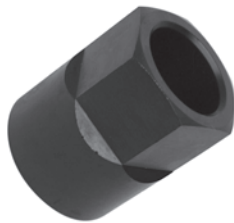
90210 OEM: 91-61067A04 Holds pinion nut when removing pinion gear & drive shaft on V6 gearcases.

Pinion Gear Shimming Tool



90160 OEM: 91-56048001 Measures pinion height of V6 gearcases.

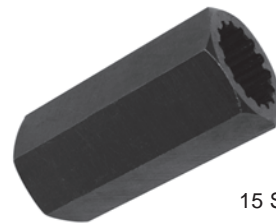
Drive Shaft Adaptor



13 Spline

90220 OEM: 91-56775T Provides a wrench surface to turn the drive shaft on V6 gearcases.

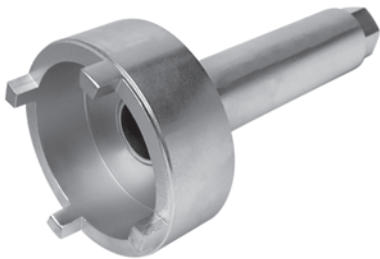
Prop Shaft / Drive Shaft Adaptor



15 Spline

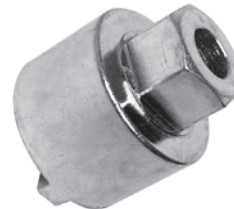
90230 OEM: 91-61077T Provides a wrench surface to turn the propeller shaft on V6 gearcases.

Bearing Carrier Retainer Wrench



90190 OEM: 91-61069T Removes & installs bearing carrier retainer nuts on V6 gearcases.

Shift Shaft Bushing Tool



90140 OEM: 91-31107T Removes & Installs the shift shaft bushing in the V6 gearcases.

Drive Shaft Bearing Retainer Wrench



90240 OEM: 91-43506T Removes & Installs threaded bearing retainer on V6 gearcases.

Universal Puller Plate



90150 OEM: 91-37241 Pulls gears & bearings.

GLM Products, Inc.

OIL SEALS SHAFT & BORE SIZE

Table By OEM Numbers

GLM No.	OEM No.	Shaft Size	Bore Size	GLM No.	OEM No.	Shaft Size	Bore Size
85700	26-12224	1.1875	1.6875	85440	26-55682	1.0000	1.2500
85820	26-12709	0.5000	0.6875	85460	26-56397	0.7500	1.1250
85130	26-14077	1.1875	1.6875	85480	26-56788	0.8750	1.2500
85790	26-14240	3.7500	4.5000	85500	26-62818	1.6250	2.2500
85040	26-16977	0.8750	1.2500	85022	26-864319	0.8750	1.3750
86730	26-18816	1.6875	2.2500	85120	26-69188	0.8750	1.2500
86590	26-20070	0.6250	1.0000	85520	26-69189	0.8750	1.3125
85210	26-23517	0.7500	1.2500	85530	26-70081	1.1875	1.7500
85680	26-24590	0.3750	0.5625	85810	26-72785	0.7500	1.8750
85110	26-26226	1.0000	1.5000	85130	26-76868	1.1875	1.6875
85100	26-26805	0.6875	1.1250	85580	26-79831	0.7500	1.1250
85100	26-27163	0.6875	1.1250	85370	26-805080	2.5000	3.1875
85260	26-30530	0.5625	1.0000	85581	26-816646-1	0.3750	0.7500
85270	26-30913	0.4375	0.8360	85510	26-821092	1.5000	2.2500
85290	26-32121	0.7500	1.0000	85030	26-823894	2.2500	3.0000
85020	26-32511	1.2500	2.0000	85050	26-89236-1	0.3750	0.7500
85440	26-32911	1.0000	1.2500	85070	26-89238	0.8750	1.5000
85330	26-33467	0.6250	1.1250	85080	26-90562	0.7500	1.2500
85160	26-43035	1.0312	1.4688	85600	26-94038	1.0000	1.5000
85170	26-43036	1.0312	1.4688	85610	26-96063	0.4375	0.8750
85010	26-41953	1.1875	1.8750	85060	26-96503-1	0.8750	1.3750
85140	26-45577-1	0.3125	0.4375	85100	26-99325	0.6875	1.1250
85380	26-45587	0.3750	0.6250				
85800	26-48443	0.7500	1.3750				

Table By Shaft Size

GLM No.	OEM No.	Shaft Size	Bore Size	GLM No.	OEM No.	Shaft Size	Bore Size
85140	26-45577-1	0.3125	0.4375	85060	26-96503-1	0.8750	1.3750
85050	26-89236-1	0.3750	0.7500	85070	26-89238	0.8750	1.5000
85380	26-45587	0.3750	0.6250	85120	26-69188	0.8750	1.2500
85581	26-816646-1	0.3750	0.7500	85480	26-56788	0.8750	1.2500
85680	26-31249	0.3750	0.5625	85520	26-69189	0.8750	1.3125
85270	26-30913	0.4375	0.8360	85110	26-26226	1.0000	1.5000
85610	26-96063	0.4375	0.8750	85440	26-32911	1.0000	1.2500
85820	26-12709	0.5000	0.6875	85440	26-55682	1.0000	1.2500
85260	26-30530	0.5625	1.0000	85600	26-94038	1.0000	1.5000
85330	26-33467	0.6250	1.1250	85170	26-43036	1.0312	1.4688
86590	26-20070	0.6250	1.0000	85160	26-43035	1.0312	1.4688
85100	26-26805	0.6875	1.1250	85010	26-41953	1.1875	1.8750
85100	26-27163	0.6875	1.1250	85130	26-14077	1.1875	1.6875
85100	26-99325	0.6875	1.1250	85130	26-76868	1.1875	1.6875
85080	26-90562	0.7500	1.2500	85530	26-70081	1.1875	1.7500
85210	26-23517	0.7500	1.2500	85700	26-12224	1.1875	1.6875
85290	26-32121	0.7500	1.0000	85020	26-32511	1.2500	2.0000
85460	26-56397	0.7500	1.1250	85510	26-821092	1.5000	2.2500
85580	26-79831	0.7500	1.1250	85500	26-62818	1.6250	2.2500
85800	26-48443	0.7500	1.3750	86730	26-18816	1.6875	2.2500
85810	26-72785	0.7500	1.8750	85030	26-823894	2.2500	3.0000
85022	26-864319	0.8750	1.3750	85370	26-805080	2.5000	3.1875
85040	26-16977	0.8750	1.2500	85790	26-14240	3.7500	4.5000

GLM Products, Inc.

TOC

Manifolds-Merc.

Manifolds-OMC

Manifolds-Volvo

Manifolds-Bar

MercCruiser

Merc/Mar/For

OMC/Volvo

Johnson/Evin

Yamaha

Index / X-Ref.

Warranty

O-RINGS

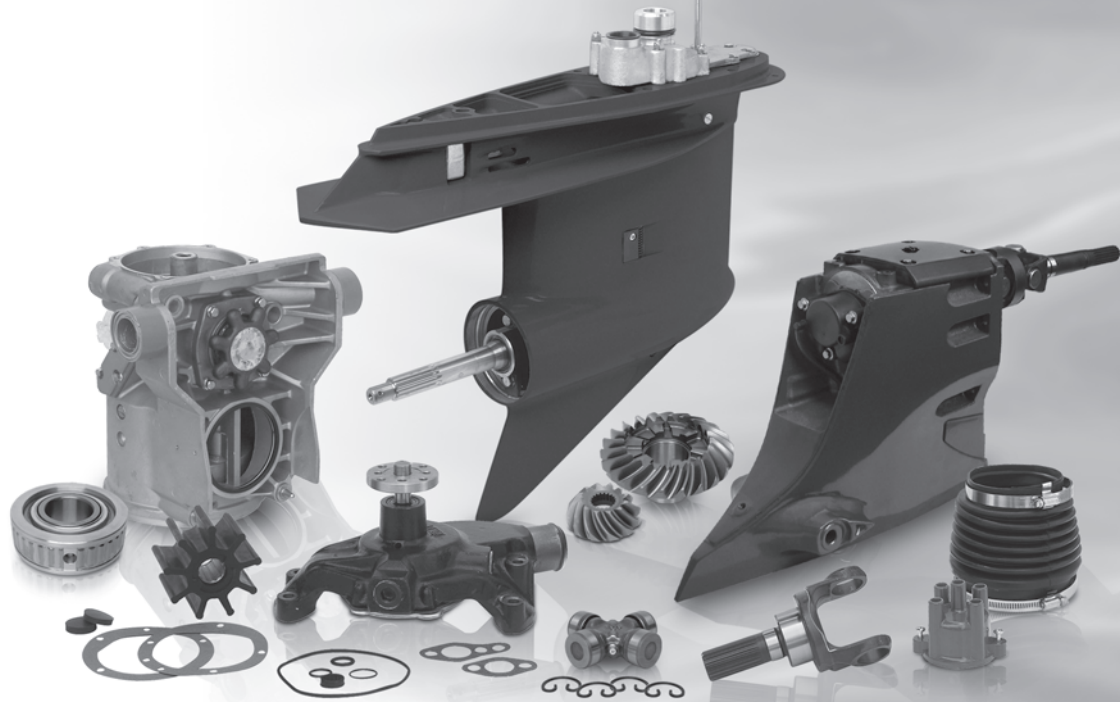
GLM	OEM	I.D.	O.D.	W.	GLM	OEM	I.D.	O.D.	W.	GLM	OEM	I.D.	O.D.	W.
Table By OEM Numbers														
82340	25-20081	2	3-1/4	1/8	82150	25-35027	1-1/16	1-5/16	1/8	81100	25-62704	3/8	9/16	3/32
80070	25-16524	5/32	9/32	1/16	82350	25-35029	3-1/8	3-3/8	1/8	80180	25-62705	3/4	7/8	1/16
82280	25-20826	2-1/4	2-1/2	1/8	82100	25-35276	3/4	1	1/8	80430	25-62706	3-1/2	3-5/8	1/16
82310	25-20863	2-5/8	2-7/8	1/8	81240	25-35480	1-1/4	1-7/16	3/32	84190	25-62817	3-3/4	4-17/20	11/40
82110	25-21836	13/16	1-1/16	1/8	81175	25-36318	13/16	1	3/32	80330	25-64067	2	2-1/8	1/16
82140	25-32145	1	1-1/4	1/8	81070	25-36390	11/16	13/16	1/16	80440	25-64966	3-3/4	3-7/8	1/16
81180	25-25439	7/8	1-1/16	3/32	82270	25-38099	2-1/8	2-3/8	1/8	81250	25-65936	1-5/16	1-1/2	3/32
81080	25-26543	1/4	7/16	3/32	81150	25-38101	11/16	7/8	3/32	82480	25-67202	4-3/4	5	1/8
82240	25-26722	1-3/4	2	1/8	80090	25-38933	7/32	11/32	1/16	80410	25-67206	3	3-1/8	1/16
81110	25-26802	7/16	5/8	3/32	82440	25-39695	4-1/4	4-1/2	1/8	81470	25-69202	2-11/16	2-7/8	3/32
82230	25-26855	1-5/8	1-7/8	1/8	82710	25-42357	9-1/4	9-1/2	1/8	83465	25-69201	4-1/8	4-1/2	3/16
81230	25-29439	1-3/16	1-3/8	3/32	80140	25-45253	1/2	5/8	1/16	82380	25-70937	3-1/2	3-3/4	1/8
81190	25-29845	15/16	1-1/8	3/32	80160	25-45254	5/8	3/4	1/16	82530	25-805197	5-3/8	5-5/8	1/8
83415	25-29976	3-1/2	3-7/8	3/16	80290	25-45257	1-1/2	1-5/8	1/16	82425	25-805331	4	4-1/14	1/8
82250	25-30224	1-7/8	2-1/8	1/8	81140	25-45711	5/8	13/16	3/32	81420	25-822370	2-3/8	2-9/16	3/32
81360	25-30529	2	2-3/16	3/32	82390	25-47254	3-5/8	3-7/8	1/8	45250	25-82275M	41.5mm	47.5mm	3mm
81160	25-30613	3/4	15/16	3/32	81220	25-47632	1-1/8	1-5/16	3/32	45260	25-82289M	66mm	76.6mm	5.30mm
82360	25-31305	3-1/4	3-1/2	1/8	80120	25-48171	3/8	1/2	1/16	45280	25-84054M	40mm	44.8mm	2.4mm
83445	25-31534	3-7/8	4-1/4	3/16	82120	25-48452	7/8	1-1/8	1/8	45270	25-811175M	62mm	70mm	4mm
83345	25-31986	2-5/8	3	3/16	80160	25-48462	5/8	3/4	1/16	83330	25-85549	2-1/2	2-7/8	3/16
80140	25-32509	1/2	5/8	1/16	80380	25-53421	2-5/8	2-3/4	1/16	82900	25-85594	1/4	19/32	11/64
80420	25-32546	3-1/4	3-3/8	1/16	81430	25-54029	2-7/16	2-5/8	3/32	82050	25-88198	7/16	11/16	1/8
82260	25-33145	2	2-1/4	1/8	81510	25-54030	3	3-3/16	3/32	81530	25-89497	3-1/2	3-11/16	3/32
81430	25-33465	2-7/16	2-5/8	3/32	80190	25-55801	13/16	15/16	1/16	81390	25-90011	2-3/16	2-3/8	3/32
81260	25-33466	1-3/8	1-9/16	3/32	80230	25-58390	1-1/16	1-3/16	1/16	80390	25-93211	2-3/4	2-7/8	1/16
82200	25-33504	1-3/8	1-5/8	1/8	80350	25-62457	2-1/4	2-3/8	1/16	*84026	25-94288	1-1/14	1-3/8	1/16
82400	25-33756	3-3/4	4	1/8	81520	25-62700	3-1/4	3-7/16	3/32	81570	25-97387	4-1/2	4-11/16	3/32
83505	25-34821	4-5/8	5	3/16	80115	25-62702	5/16	7/16	1/16	82060	25-99691	1-1/2	3/4	1/8

Table By Nominal Size

81030	25-29619	3/32	9/32	3/32	81230	25-29439	1-3/16	1-3/8	3/32	80410	25-67206	3	3-1/8	1/16
80070	25-16524	5/32	9/32	1/16	81240	25-35480	1-1/4	1-7/16	3/32	81510	25-54030	3	3-3/16	3/32
80090	25-38933	7/32	11/32	1/16	*84026	25-94288	1-1/14	1-3/8	1/16	82340	25-20081	3	3-1/4	1/8
81080	25-26543	1/4	7/16	3/32	81250	25-65936	1-5/16	1-11/12	3/32	82350	25-35029	3-1/8	3-3/8	1/8
82900	25-85594	1/4	19/32	11/64	81260	25-33466	1-3/8	1-9/16	3/32	80420	25-32546	3-1/4	3-3/8	1/16
80115	25-62702	5/16	7/16	1/16	82200	25-33504	1-3/8	1-5/8	1/8	81520	25-62700	3-1/4	3-7/16	3/32
80120	25-48171	3/8	1/2	1/16	81270	25-45710	1-7/16	1-5/8	3/32	82360	25-31305	3-1/4	3-1/2	1/8
81100	25-62704	3/8	9/16	3/32	80290	25-45257	1-1/2	1-5/8	1/16	80430	25-62706	3-1/2	3-5/8	1/16
81110	25-26802	7/16	5/8	3/32	82060	25-99691	1-1/2	3/4	1/8	81530	25-89497	3-1/2	3-11/16	3/32
82050	25-88198	7/16	11/16	1/8	82230	25-26855	1-5/8	1-7/8	1/8	82380	25-70937	3-1/2	3-3/4	1/8
80140	25-32509	1/2	5/8	1/16	82240	25-26722	1-3/4	2	1/8	83415	25-29976	3-1/2	3-7/8	3/16
80160	25-48462	5/8	3/4	1/16	82250	25-30224	1-7/8	2-1/8	1/8	82390	25-47254	3-5/8	3-7/8	1/8
81140	25-48462	5/8	3/4	1/16	80330	25-64067	2	2-1/8	1/16	80440	25-64966	3-3/4	3-7/8	1/16
80170	25-36390	11/16	13/16	1/16	81360	25-30529	2	2-3/16	3/32	82400	25-33756	3-3/4	4	1/8
81150	25-38101	11/16	7/8	3/32	82260	25-33145	2	2-1/4	1/8	84190	25-62817	3-3/4	4-17/20	11/40
80180	25-62705	3/4	7/8	1/16	82270	25-38099	2-1/8	2-3/8	1/8	83445	25-31534	3-7/8	4-1/4	3/16
81160	25-30613	3/4	15/16	3/32	81390	25-90011	2-3/16	2-3/8	3/32	82425	25-905331	4	4-1/4	1/8
82100	25-35276	3/4	1	1/8	80350	25-62457	2-1/4	2-3/8	1/16	83465	25-69201	4-1/8	4-1/2	3/16
80190	25-55801	13/16	15/16	1/16	82280	25-20826	2-1/4	2-1/2	1/8	82440	25-39695	4-1/4	4-1/2	1/8
81175	25-36318	13/16	1	3/32	81420	25-822370	2-3/8	2-9/16	3/32	81570	25-97387	4-1/2	4-11/16	3/32
82110	25-21836	13/16	1-1/16	1/8	81430	25-33465	2-7/16	2-5/8	3/32	83505	25-34821	4-5/8	5	3/16
81180	25-25439	7/8	1-1/16	3/32	81430	25-54029	2-7/16	2-5/8	3/32	82480	25-67202	4-3/4	5	1/8
82120	25-48452	7/8	1-1/8	1/8	83330	25-85549	2-1/2	2-7/8	3/16	82530	25-805197	5-3/8	5-5/8	1/8
81190	25-29845	15/16	1-1/8	3/32	80380	25-53421	2-5/8	2-3/4	1/16	82710	25-42357	9-1/4	9-1/2	1/8
82140	25-23145	1	1-1/4	1/8	82310	25-20863	2-5/8	2-7/8	1/8	45280	25-84054M	40mm	44.8mm	2.4mm
80230	25-58390	1-1/16	1-3/16	1/16	83345	25-31986	2-5/8	3	3/16	45250	25-82275M	41.5mm	47.5mm	3mm
82150	25-35027	1-1/16	1-5/16	1/8	81470	25-69202	2-11/16	2-7/8	3/32	45270	25-811175M	62mm	70mm	4mm
81220	25-47632	1-1/8	1-5/16	3/32	80390	25-92311	2-3/4	2-7/8	1/16	45260	25-82289M	66mm	76.6mm	5.30mm

* Quad Ring





Quality Replacement Parts for

OMC® / Volvo Penta®

OMC Cobra SX (1994 & Up)
 Upper Gear Housing 250-251
 Lower Gear Housing 252-253
 Transom Assembly 254-255
 Cobra SX Components 256-257

OMC Cobra - (1986-1993)
 Replacement Housings & Rebuild Kits 258-259
 Upper Gear Housing & Components 258-263
 Lower Gear Housing & Components 259-269
 Transom Assembly & Components ... 269-271

OMC Stringer (1985 & Older)
 Replacement Housings & Rebuild Kits 272-273
 Upper Gear Housing & Components 272-277
 Lower Gear Housing & Components 273-282
 Intermediate Housing & Components ... 283-286

OMC Cobra SX, Cobra & Stringer
 Prop Hardware, Prop Tools & Anodes .. 286-287

OMC & Volvo Penta
 Cooling System (T-stats, Water Pumps
 & Impeller Kits) 288-290
 Internal Ex. Hose & Ex. Gaskets 290-291
 Fuel Pumps, Filters & Carb. Parts 292-294
 Ignition & Electrical 295-300
 Engine Gaskets & Crank Shaft Seals ... 301-302

Volvo Penta AQ (1993 & Before)
 Volvo Penta AQ Components 302-311
 Upper Gear Housing 304-305
 Lower Gear Housing 306-307
 Intermediate Housing 308-309
 Transom Assembly 310-311

Volvo Penta
 Anodes, Prop Nut Service Kits & T. Rings 312
 Marine Service Tools 313
 Oil Seal & O-ring Size Charts & Application . 314-316

TOC

Manifolds-Merc.

Manifolds-OMC

Manifolds-Volvo

Manifolds-Barr

MerCruiser

Merc / Mar / For

OMC / Volvo

Johnson / Evin

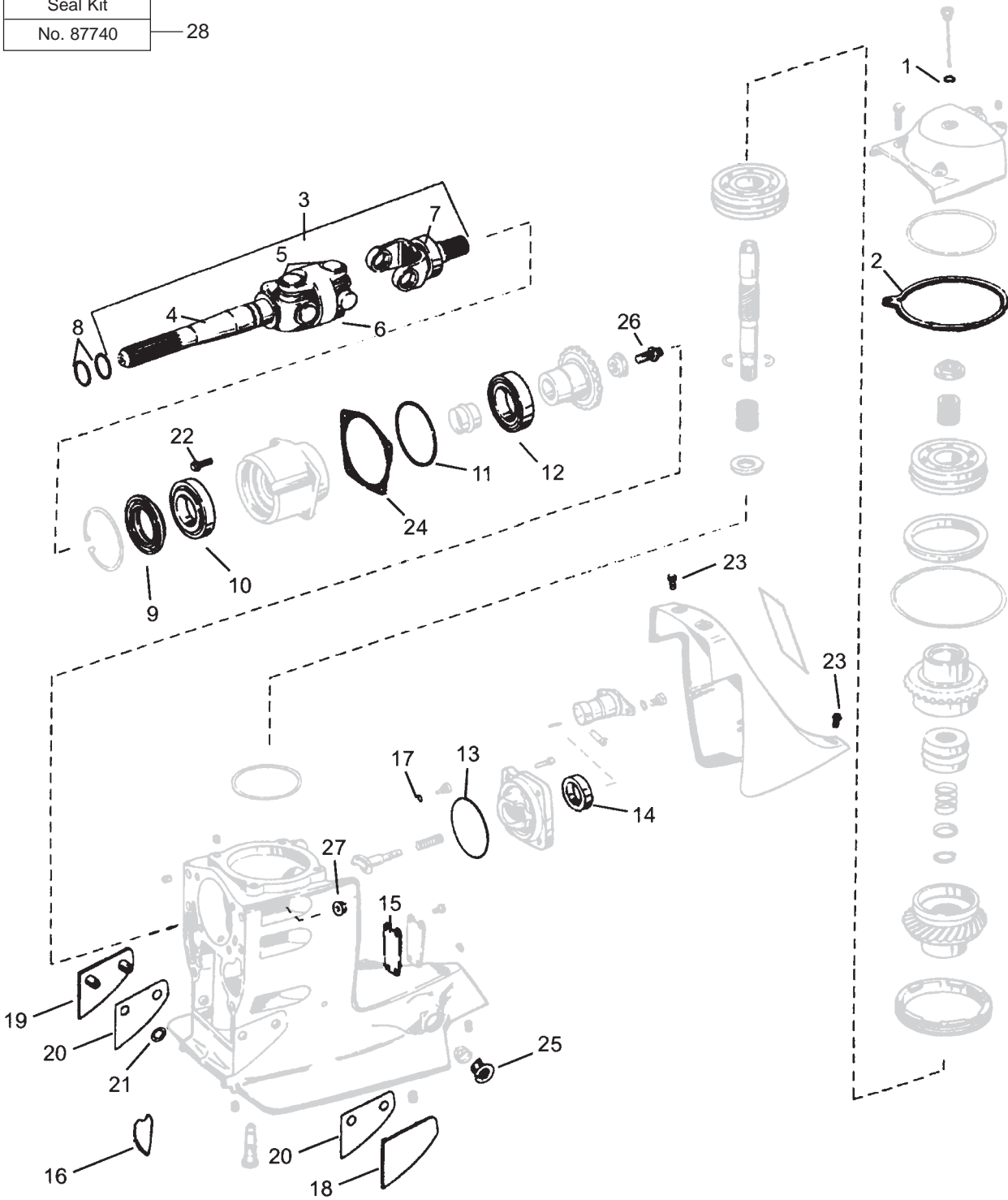
Yamaha

Index / X-Ref.

Warranty

COBRA SX - UPPER GEAR HOUSING (1994 & Up)

Upper Seal Kit
No. 87740 — 28



TOC

Manifolds-Merc.

Manifolds-OMC

Manifolds-Volvo

Manifolds-Barr

MerCruiser

Merc / Mar / For

OMC / Volvo

Johnson / Evin

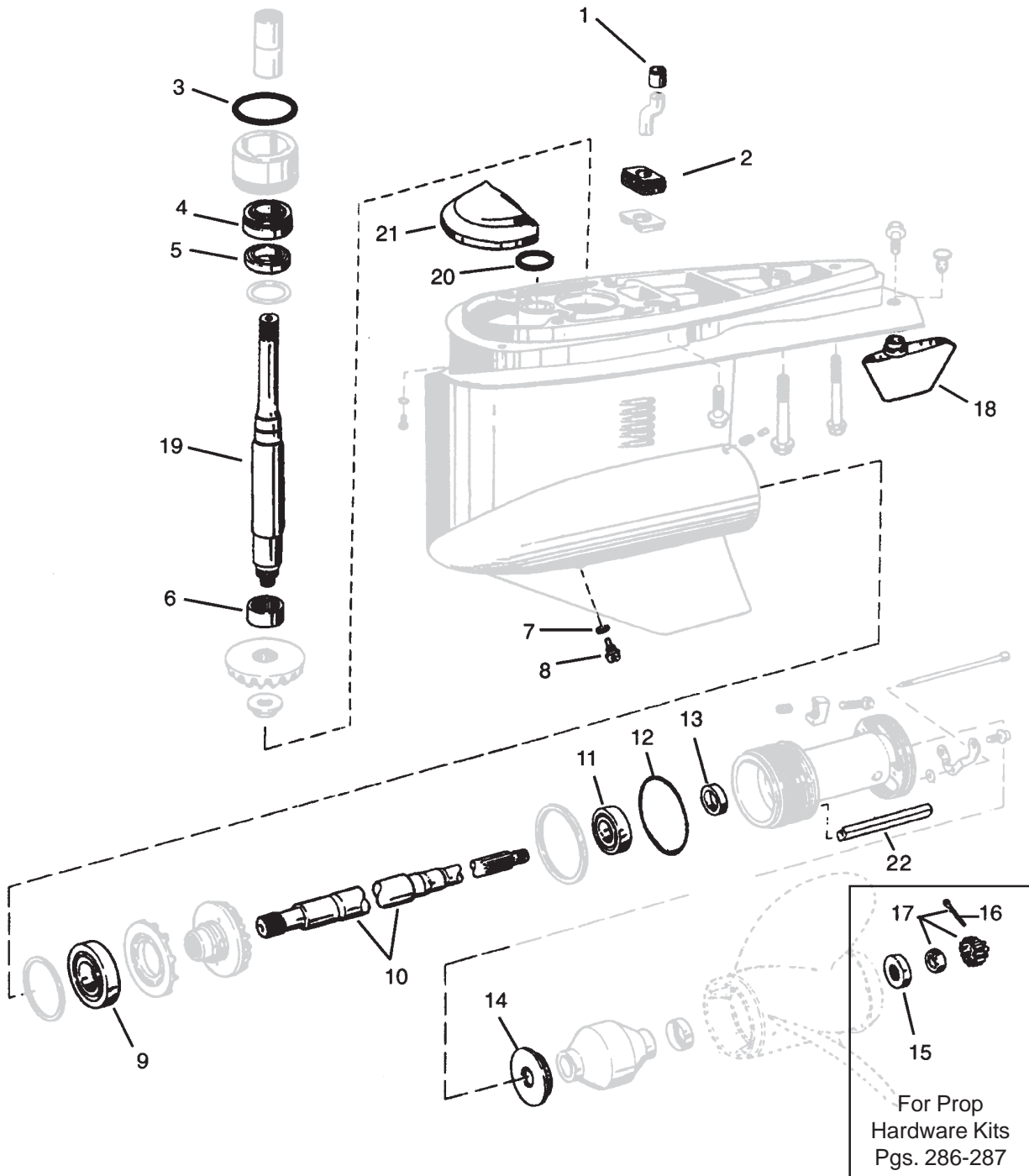
Yamaha

Index / X-Ref.

Warranty

COBRA SX - LOWER GEAR HOUSING (1994 & Up)

Gearcase Seal Kit	23
No. 87750	



TOC

Manifolds-Merc.

Manifolds-OMC

Manifolds-Volvo

Manifolds-Barr

MerCruiser

Merc / Mar / For

OMC / Volvo

Johnson / Evin

Yamaha

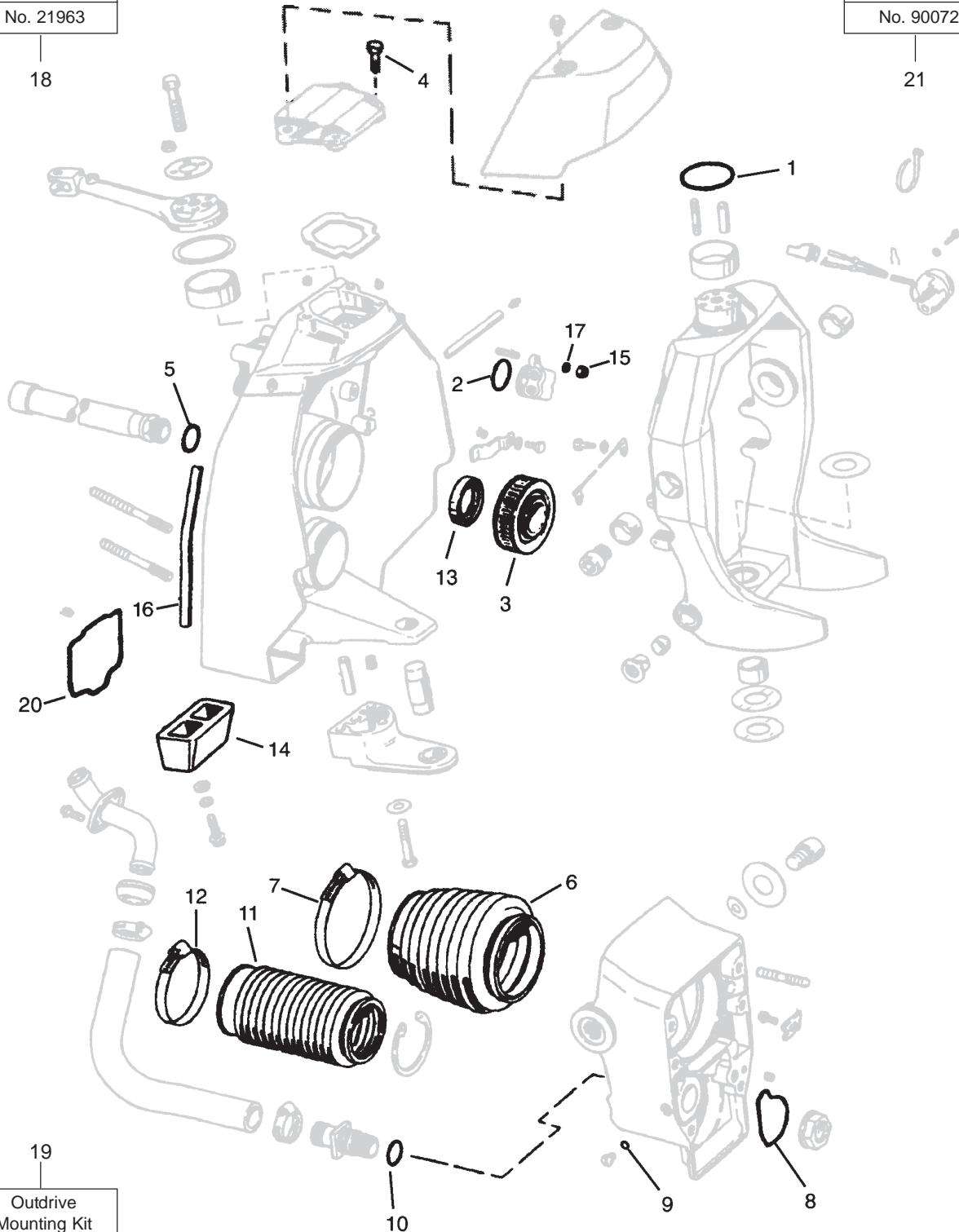
Index / X-Ref.

Warranty

COBRA SX - TRANSOM ASSEMBLY (1994 & Up)

Transom Service Kit
No. 21963

Trailer Clips
No. 90072



TOC
Manifolds-Merc.
Manifolds-OMC
Manifolds-Volvo
Manifolds-Bar
MerCruiser
Merc / Mar / For
OMC / Volvo
Johnson / Evin
Yamaha
Index / X-Ref.
Warranty

TOC

Manifolds-Merc.

Manifolds-OMC

Manifolds-Volvo

Manifolds-Barr

MerCruiser

Merc / Mar / For

OMC / Volvo

Johnson / Evin

Yamaha

Index / X-Ref.

Warranty

**Transom Service Kit & Components
OMC Cobra SX**



21963	OEM: N/A	Transom Service Kit
21906	OEM: 3853807	Gimbal Bearing
89200	OEM: 3854127	U-Joint Bellow w/ Clamp
89190	OEM: 3850426	Exhaust Bellow w/ Clamp
39631	OEM: N/A	Outdrive Mounting Kit (Seal No. 86300 + O-rings (2) No. 81180) For all "Clone Clutch" Cobra SX (1994 & Up)

**Transom Mount Seal
OMC Cobra SX**



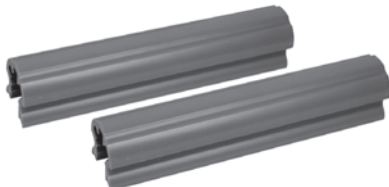
86690 OEM: 3852550 Cobra SX (1994 & Up)

**Thrust Plates, Shim & Retaining Ring
OMC Cobra SX**



12661	OEM: 3852561	Thrust Plate - Port
12662	OEM: 3852562	Thrust Plate - Starboard
23360	OEM: 3852563	Thrust Plate Shim
21773	OEM: 910953	Retaining Ring

**Trailer Clips
OMC Cobra SX**



90072 OEM: 3847547 (1994 & Up)

U-Joint Assembly - OMC Cobra SX

100% Hot Forged



28318	OEM: 3852384, 3860842 (w/ Screw No. 22299)	Internal Lock-ring Style U-Joint Assy. (1994 & Up)
28328	OEM: 3860842 (w/ Screw No. 22299)	External Lock-ring Style U-Joint Assy. (1994 & Up)

Universal Joints - OMC Cobra SX



28030	OEM: 3850812	Heavy Duty, Internal Lock-ring Style
28040	OEM: 3860232	External Lock-ring Style

Yokes & Socket - OMC Cobra SX



28317	OEM: 3850814	Yoke (Internal Lock-ring Style)
28323	OEM: N/A	Yoke (External Lock-ring Style)
28315	OEM: 912212	Yoke-Long (Internal Lock-ring Style)
28316	OEM: N/A	Yoke-Long (External Lock-ring Style)
28100	OEM: 912213	Socket (Internal Lock-ring Style)
28110	OEM: N/A	Socket (External Lock-ring Style)
81180	OEM: 3852565	O-ring, Drive Socket Yoke
22299	OEM: 3852309	Screw

Gear Housing Seal Kits - OMC Cobra SX



87740	OEM: 3850594	Cobra SX (1994 & Up)
87750	OEM: 3855275	Cobra SX (1994 & Up)

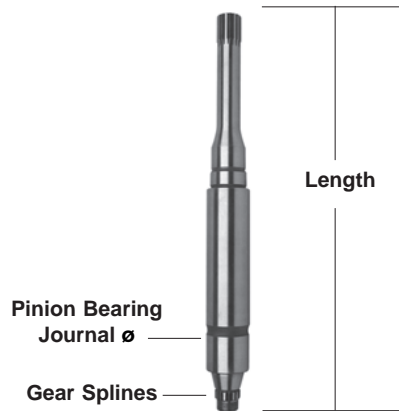
GLM Products, Inc.

Bearing Carrier Components OMC Cobra SX



- 87100** OEM: 3852272 Oil Seal
- 82370** OEM: 3852308 O-ring
- 21583** OEM: 3850853 Tapered Roller Bearing
- 21582** OEM: 3850426 Tapered Roller Bearing

Lower Drive Shaft - OMC Cobra SX



- 11170** OEM: 3851342 Cobra SX (1994 & Up)
Length: 14-1/8", Journal \varnothing : 1-7/16", Gear Splines: 17

Lower Drive Shaft & Prop Shaft Components - OMC Cobra SX



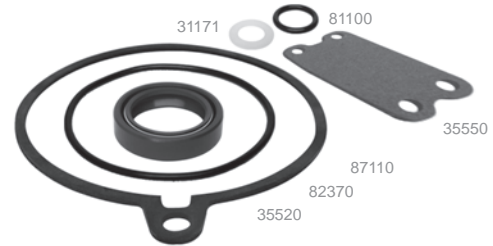
Lower Drive Shaft Components

- 83340** OEM: 3852866 O-ring
- 21512** OEM: 3854250 Tapered Roller Bearing - Upper
- 21581** OEM: 3854249 Tapered Roller Bearing - Lower
- 21611** OEM: 3853934 Pinion Bearing

Prop Shaft Components

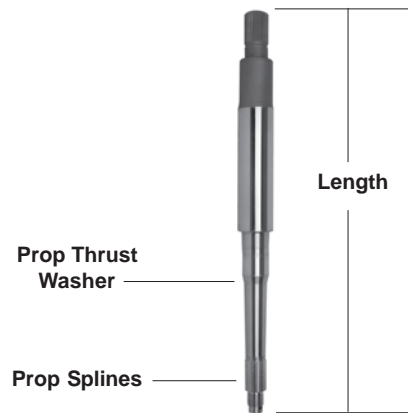
- 85900** OEM: 3858303 Oil Seal, Prop Shaft
- 82420** OEM: 3852865 O-ring
- 21581** OEM: 3854249 Tapered Roller Bearing - Rear
- 21586** OEM: 3850942 Tapered Roller Bearing - Front

O-rings, Gaskets & Shift Lever Oil Seal OMC Cobra SX



- 81100** OEM: 3852045 O-ring, Dip Stick
- 45080** OEM: 925093 O-ring, Shift Lever Housing
- 87110** OEM: 853858 Oil Seal, Shift Lever
- 35520** OEM: 3852317 Gasket, Top Cover
- 31171** OEM: 3855082 Gasket, Drain Plug
- 35550** OEM: 3852279 Gasket, Water Passage

Prop Shaft - OMC Cobra SX



- 11154** OEM: 3857675 Cobra SX (1994 & Up)
Length: 18-1/2", Prop Splines: 19
Prop Thrust Washer: 22221

Lower Gear Housing Components OMC Cobra SX



- 86482** OEM: 3852315 Grommet, Water Tube - Upper
- 86653** OEM: 3854595 Seal, Water Tube - Lower
- 83240** OEM: 3852959 O-ring, Gear Oil Passage
- 23111** OEM: 3854402 Trim Tab
- 21885** OEM: 337778 Screens (2)
- 22363** OEM: 337061 Screws (2) for Screens
- 21731** OEM: 318544 Screw Set (Gasket + Screw)
- 31171** OEM: 311598 Gasket

TOC

Manifolds-Merc.

Manifolds-OMC

Manifolds-Volvo

Manifolds-Barr

MerCruiser

Merc / Mar / For

OMC / Volvo

Johnson / Evin

Yamaha

Index / X-Ref.

Warranty

STERNDRIVE UNIT APPLICATION - OMC COBRA (1986-1993)

Year	Model	Ratio	Upper Housing	Upper Complete	Lower Housing	Lower Complete
1987-1989	2.3L	21:21	29900	N/A	N/A	N/A
1986	2.5L	21:18	29900	29920	N/A	N/A
1986-1989	3.0L	21:18	29900	29920	N/A	N/A
1989	3.0L	21:18	29900	29920	N/A	N/A
1989	3.0L High Alt	21:19	29900	29940	N/A	N/A
1990-1993	3.0L All	21:21	29900	N/A	28800	28820
1986-1987	4.3L All	21:19	29900	29940	28800	28820
1988-1993	4.3L	21:19	29900	29940	28800	28820
1988-1993	4.3L High Alt	21:21	29900	N/A	28800	28820
1986-1988	5.0L	21:17	29900	29930	28800	28820
1988	5.0L High Alt	21:18	29900	29920	28800	28820
1989-1993	5.0L	21:18	29900	29920	28800	28820
1989-1993	5.0L High Alt	21:19	29900	29940	28800	28820
1986-1988	5.7L	21:16	29900	29910	28800	28820
1986-1988	5.7L High Alt	21:18	29900	29920	28800	28820
1989-1992	5.7L	21:16	29900	29910	28800	28820
1989-1992	5.7L High Alt	21:17	29900	29930	28800	28820
1988	350 King	21:16	29900	29910	28800	28820
1988	350 King High Alt	21:18	29900	29920	28800	28820
1989	5.8L	21:16	29900	29910	28800	28820
1989	5.8L High Alt	21:17	29900	29930	28800	28820
1990	5.8L	21:18	29900	29920	28800	28820
1990	5.8L High Alt	21:16	29900	29910	28800	28820
1991-1993	5.8L	21:16	29900	29910	28800	28820
1991-1993	5.8L High Alt	21:17	29900	29930	28800	28820
1993	5.8L EFI	21:17	29900	29930	28800	28820
1987-1989	7.5L 460 King	21:17	29900	29930	N/A	N/A
1987-1989	460 King High Alt	21:18	29900	29920	N/A	N/A

UPPER GEAR HOUSING KITS APPLICATION - OMC COBRA (1986-1993)

Engine / Model / Year	Ratio (Teeth)	Upper Assy. Kit	Upper Rebuild Kit	Upper Seal Kit
4-Cylinder, 2.3L (1987-1989)	21T/21T	-	-	87654
4-Cylinder, 2.5L (1986)	21T/18T	29929	29921	87654
4-Cylinder, 3.0L (1986-1989)	21T/18T	29929	29921	87654
4-Cylinder, 3.0L (1990-1993)	21T/21T	-	-	87654
V6, 4.3L, 262 CID	21T/19T	29949	29941	87654
V8 Ford, 5.0L, 302 CID	21T/18T	29929	29921	87654
V8 Chevy, 5.0L, 305 CID	21T/17T	29939	29931	87654
V8 Ford EFI, 5.8L, 351 CID	21T/17T	29939	29931	87654
V8 Chevy, 5.7L, 350 CID	21T/16T	29919	29911	87654
V8 Ford, 5.8L, 351 CID	21T/16T	29919	29911	87654
V8 Ford, 7.5L, 460 CID (1987-1989)	21T/17T	29939	29931	87654

PROP SHAFT CARRIER APPLICATION - OMC COBRA (1986-1991)

Model	Year	Prop Shaft Carrier	Model	Year	Prop Shaft Carrier
4-Cylinder, 2.3L, Ford	1987-1991	11388	5.0L, Chevy / Ford	1986-1990	11406
4-Cylinder, 3.0L, Chevy	1986-1989	11388	5.7L, Chevy	1986-1990	11406
4-Cylinder, 3.0L, Chevy	1990	11406	5.8L, Chevy	1986-1990	11406
V6, 4.3L	1986-1990	11406			



GLM Products, Inc.

Upper Gear Housings OMC Cobra (1986-1993)

100% New
with Water
Pump



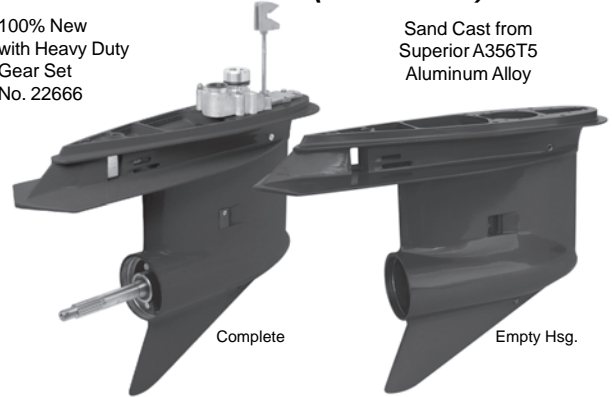
Sand Cast from Superior A356T5 Aluminum Alloy

Complete Upper Gear Housing Assemblies				
GLM	OEM	Ratio	Year	Engine
29910	986381	21:16	1986-1993	V8 GM, 5.7L, 350 CID, V8 Ford, 5.8L, 351 CID
29920	986382	21:18	1986 1986-1989 1986-1993	4-Cyl., 2.5L, 4-Cyl., 3.0L, V8 Ford, 5.0L, 302 CID
29930	986844	21:17	1986-1993 1986-1993 1987-1989	V8 GM, 5.0L, 305 CID, V8 Ford EFI, 5.8L, 351 V8 Ford, 7.5L, 460 CID
29940	986380	21:19	1986-1993	V6, 4.3L, 262 CID
Upper Gear Housing - Empty				
29900	984518	-	1986-1993	OMC Cobra (will accept the original internal & external components)

Lower Gear Housings OMC Cobra (1986-1993)

100% New
with Heavy Duty
Gear Set
No. 22666

Sand Cast from
Superior A356T5
Aluminum Alloy



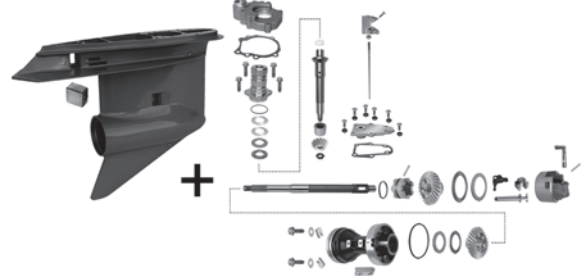
Complete Lower Gear Housing Assemblies				
GLM	OEM	Ratio	Year	Engine
28820	987800	12:22	1990-1993 1986-1993 1986-1993 1986-1993 1989-1993	4-Cyl., 3.0L, GM V6, 4.3L 5.0L, GM / Ford 5.7L, GM 5.8L, GM
Lower Gear Housing - Empty				
28800	439972	-	1990-1993 1986-1993 1986-1993 1986-1993 1989-1993	4-Cyl., 3.0L, GM V6, 4.3L 5.0L, GM / Ford 5.7L, GM 5.8L, GM

Complete Upper Gear Housing Assy. Kit OMC Cobra (1986-1993)



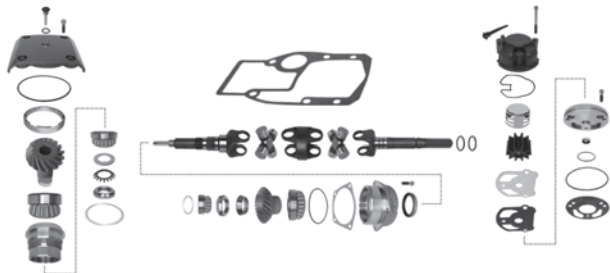
29919	N/A	Ratio: 21:16	29939	N/A	Ratio: 21:17
29929	N/A	Ratio: 21:18	29949	N/A	Ratio: 21:19

Complete Lower Gear Housing Assy. Kit OMC Cobra (1986-1993)



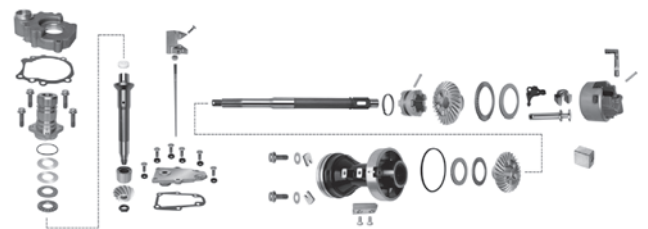
28860	N/A	Ratio: 1:86	1986-1993	V6 & V8
			1990-1993	4-Cyl., 3.0L
All Prop Shaft 1-1/4" Dia.				

Upper Gear Housing Rebuild Kit OMC Cobra (1986-1993)



29911	N/A	Ratio: 21:16	29931	N/A	Ratio: 21:17
29921	N/A	Ratio: 21:18	29941	N/A	Ratio: 21:19

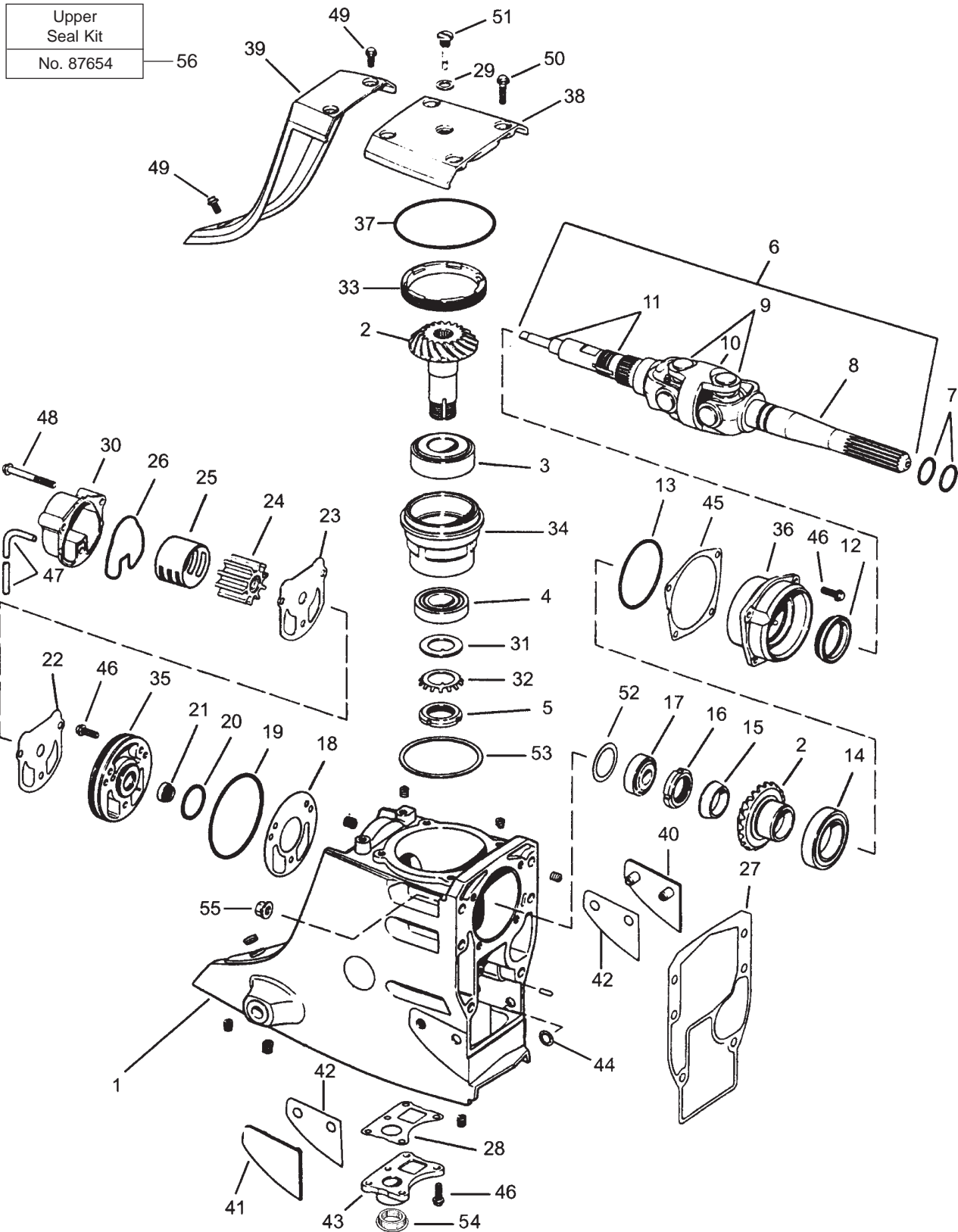
Lower Gear Housing Rebuild Kit OMC Cobra (1991)



28862	N/A	Ratio: 1:86	1991	V6 & V8
			1991	4-Cyl., 3.0L
All Prop Shaft 1-1/4" Dia.				

GLM Products, Inc.

COBRA - UPPER GEAR HOUSING (1986-1993)



GLM Products, Inc.

COBRA - UPPER GEAR HOUSING (1986-1993)

Ref No.	GLM No.	OEM No.	Description	Ref No.	GLM No.	OEM No.	Description
1	29900	984518	Upper Gearcase Assembly	46	22384	3852454	Screw
2	22520	983825	Gear Set (21:16 Ratio)	47	47010	912614	Vent Hose
2	22560	983826	Gear Set (21:18 Ratio)	48	22385	912238	Screw
2	22540	984012	Gear Set (21:19 Ratio)	49	22386	3852568	Screw
2	22544	983835	Gear Set (21:17 Ratio)	50	22387	123018	Screw
3	21540	983891	Bearing	51	21732	914488	Dipstick
4	21541	983892	Bearing	52	23371	911662	Shim 0.003"
5	28460	911753	Pinion Nut	52	23372	911663	Shim 0.005"
6	28325	98388	U-Joint & Water Pump Shaft	52	23373	911664	Shim 0.007"
7	81180	3852565	O-ring	52	23374	911665	Shim 0.010"
8	28315	912212	Yoke - Drive Shaft	52	23375	911666	Shim 0.012"
9	28030	915717	Universal Joint	52	23376	911667	Shim 0.015"
10	28100	912213	Socket	53	23381	911668	Shim 0.010"
11	28320	984264	Yoke & Water Pump Shaft	53	23382	-	Shim 0.001"
12	86530	911685	Oil Seal	53	23383	-	Shim 0.003"
13	82380	911686	O-ring	54	86620	911705	Seal
14	21542	983877	Bearing	55	21170	-	Locknut - (use with 28420)
15	22525	912029	Centering Cone	55	28420	-	Washer - (use with 21170)
16	28470	911937	U-Joint Nut	55	28410	-	Locknut - Flanged (no washer needed)
17	21543	983878	Bearing	56	87654	987603	Seal Kit
18	34771	911698	Gasket				
19	82430	911700	O-ring				
20	81280	909316	O-ring				
21	86610	916058	Oil Seal				
22	34770	911702	Gasket				
23	12760	911703	Wear Plate				
24	89950	983895	Impeller				
25	12391	911844	Water Pump Liner				
26	86630	911704	Seal				
27	34730	915840	Gasket				
28	33910	911733	Gasket				
29	81100	303067	O-ring				
30	12405	984744	Pump Housing				
31	21676	911697	Washer				
32	23202	911752	Retainer				
33	21111	911751	Cover Nut				
34	27800	911750	Bearing Carrier				
35	27900	911699	Water Pump Adapter				
36	27920	911683	Bearing Carrier				
37	82480	313175	O-ring				
38	28404	914489	Cover Assembly				
39	28406	983967	Cover Assembly				
40	12661	3852561	Thrust Plate				
41	12662	3582562	Thrust Plate				
42	23360	3852563	Shim				
43	28408	911734	Cover Assembly				
44	21773	910953	Retainer Ring				
45	23361	911678	Shim 0.003"				
45	23362	911679	Shim 0.004"				
45	23363	911680	Shim 0.005"				
45	23364	911681	Shim 0.010"				

TOC

Manifolds-Merc.

Manifolds-OMC

Manifolds-Volvo

Manifolds-Barr

MerCruiser

Merc / Mar / For

OMC / Volvo

Johnson / Evin

Yamaha

Index / X-Ref.

Warranty

TOC

Manifolds-Merc.

Manifolds-OMC

Manifolds-Volvo

Manifolds-Bar

MerCruiser

Merc / Mar / For

OMC / Volvo

Johnson / Evin

Yamaha

Index / X-Ref.

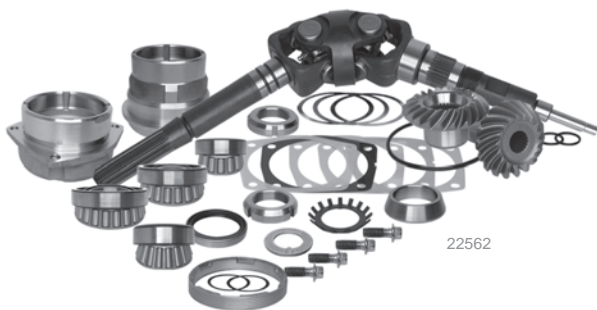
Warranty

**Upper Gear Housing Seal Kit
OMC Cobra (1986-1993)**



87654 OEM: 987603 1986-1993 For All Cobra Models

**Upper Gear Set Assembly Kits
OMC Cobra (1986-1993)**



GLM	OEM	Ratio	Engine / Year
22562	983918	21:18	2.5L, 4-Cyl., (1986)
		21:18	3.0L, 4-Cyl., (1986-89)
		21:18	5.0L, Ford V8, 302 CID
22542	984013	21:19	4.3L, GM V6, 262 CID
22522	983917	21:16	5.7L, GM V8, 350 CID
		21:16	5.8L, Ford V8, 351 CID
22532	983919	21:17	5.0L, GM V8, 305 CID
		21:17	5.8L, Ford V8 EFI, 351
		21:17	7.5L, Ford V8, 460 CID

**Upper Gear Sets
OMC Cobra (1986-1993)**



GLM	OEM	Ratio	Engine / Year
22560	983826	21:18	2.5L, 4-Cyl., (1986)
		21:18	3.0L, 4-Cyl., (1986-1989)
		21:18	5.0L, Ford V8, 302 CID
22540	984012	21:19	4.3L, GM V6, 262 CID
22520	983825	21:16	5.7L, GM V8, 350 CID
		21:16	5.8L, Ford V8, 351 CID
22544	983835	21:17	5.0L, GM V8, 305 CID
		21:17	5.8L, Ford V8 EFI, 351 CID
		21:17	7.5L, Ford V8, 460 CID

**Upper Gear Housing
Lower Bearing Carrier & Components
OMC Cobra (1986-1993)**



21111	OEM: 911751	Nut - Lower Bearing Carrier
21540	OEM: 983891	Upper Bearing
27800	OEM: 911750	Lower Bearing Carrier
23381	OEM: 911668	Shim 0.010" - Lower Bearing Carrier
23382	OEM: N/A	Shim 0.001" - Lower Bearing Carrier
23383	OEM: N/A	Shim 0.003" - Lower Bearing Carrier
21541	OEM: 983892	Tapered Roller Bearing - Lower
21676	OEM: 911697	Washer - Driven Gear
23202	OEM: 911752	Retainer - Driven Gear Pinion Nut
28460	OEM: 911753	Pinion Nut - Driven Gear

**Upper Gear Housing
Front Bearing Carrier & Components
OMC Cobra (1986-1993)**



21542	OEM: 983877	Tapered Roller Bearing
82380	OEM: 911686	O-ring - Bearing Carrier
27920	OEM: 911683	Front Bearing Carrier
22384	OEM: 3852454	Screw - Bearing Carrier
86530	OEM: 911685	Oil Seal - Bearing Carrier
28470	OEM: 911937	U-Joint Nut - Drive Gear
22525	OEM: 212029	Centering Cone - Drive Gear
23361	OEM: 911678	Shim 0.003" - Front Bearing Carrier
23362	OEM: 911679	Shim 0.004" - Front Bearing Carrier
23363	OEM: 911680	Shim 0.005" - Front Bearing Carrier
23364	OEM: 911681	Shim 0.010" - Front Bearing Carrier
23365	OEM: N/A	Shim Kit - Front Bearing Carrier (23361, 23362, 23363 & 23364)

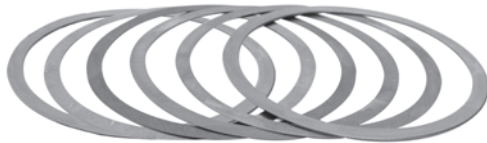
GLM Products, Inc.

Upper Gear Housing Water Pump Adapter & Components OMC Cobra (1986-1993)



27900	OEM: 911699	Water Pump Adapter
86610	OEM: 916058	Oil Seal
81280	OEM: 909316	O-ring
82430	OEM: 911700	O-ring
34771	OEM: 911698	Gasket

Upper Gear Housing - Rear Shims OMC Cobra (1986-1993)



23371	OEM: 911662	0.003"	23374	OEM: 911665	0.010"
23372	OEM: 911663	0.005"	23375	OEM: 911666	0.012"
23373	OEM: 911664	0.007"	23376	OEM: 911667	0.015"

Upper Gear Housing - Roller Bearings OMC Cobra (1986-1993)



21540	OEM: 983891	21542	OEM: 983877
21541	OEM: 983892	21543	OEM: 983878

Upper Gear Housing Water Pocket Cover & Components OMC Cobra (1986-1993)



33910	OEM: 911733	Gasket
28408	OEM: 911734	Water Pocket Cover Assy.
22384	OEM: 911734	Screw - Cover Assy.

Upper Gear Housing Thrust Plates, Shim & Retaining Ring OMC Cobra (1986-1993)



12661	OEM: 3852561	Thrust Plate - Port
12662	OEM: 3852562	Thrust Plate - Starboard
23360	OEM: 3852563	Thrust Plate Shim
21773	OEM: 910953	Retaining Ring

Upper Gear Housing U-Joint & Water Pump Shaft Assy. OMC Cobra (1986-1993)

100%
Hot Forged



28325 OEM: 983880 (1986-1993)

Upper Gear Housing Yokes, Socket, O-ring & U-Joint OMC Cobra (1986-1993)



28315	OEM: 912212	Yoke (Long Yoke)
28030	OEM: 3850812	U-Joint Heavy Duty
28100	OEM: 912213	Socket (Universal)
81180	OEM: 3852565	O-ring, Drive Socket Yoke
28320	OEM: 984264	Yoke & Water Pump Shaft

Upper Gear Housing - Cover Assy. & Dip Stick OMC Cobra (1986-1993)

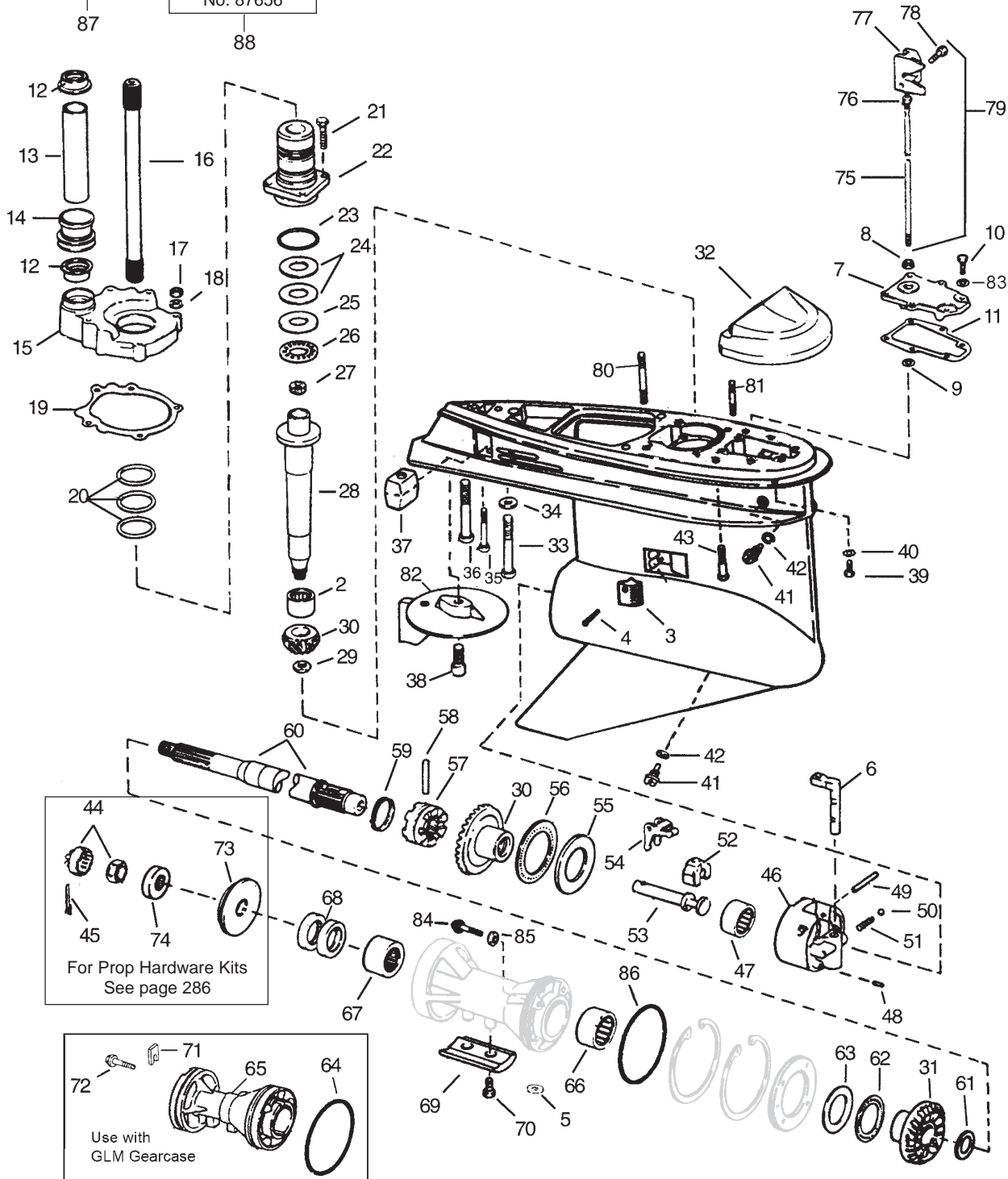


28406	OEM: 983967	Cover Assembly
22386	OEM: 3852568	Screw - Cover
28404	OEM: 914489	Top Cover Assy.
22387	OEM: 123018	Screw - Top Cover
82480	OEM: 313175	O-ring - Top Cover
21732	OEM: 914488	Dipstick - Top Cover
81100	OEM: 329381	O-ring - Dipstick

TOC
Manifolds-Merc.
Manifolds-OMC
Manifolds-Volvo
Manifolds-Barr
MerCruiser
Merc / Mar / For
OMC / Volvo
Johnson / Evin
Yamaha
Index / X-Ref.
Warranty

COBRA - LOWER GEAR HOUSING (1986-1993)

4-Cyl. Seal Kit No. 87655	V6, V8 & 4-Cyl. (1990 & Up) Seal Kit No. 87656
87	88



TOC

Manifolds-Merc.

Manifolds-OMC

Manifolds-Volvo

Manifolds-Barr

MerCruiser

Merc / Mar / For

OMC / Volvo

Johnson / Evin

Yamaha

Index / X-Ref.

Warranty

GLM Products, Inc.

COBRA - LOWER GEAR HOUSING (1986-1993)

Ref No.	GLM No.	OEM No.	Description	Ref No.	GLM No.	OEM No.	Description
1	28800	439972	Gearcase Assembly	49	21137	328825	Pin
2	21610	387817	Pinion Bearing	50	22491	160084	Detent Ball
3	21885	337778	Screen	51	11055	915995	Spring
4	22363	337061	Screw	52	27730	982422	Cradle
5	21679	-	Washer	53	27710	322941	Shaft
6	27720	915954	Detent	54	27740	322938	Lever
7	27750	986838	Cover & Seal Assembly	55	21646	327669	Thrust Washer
8	22390	912157	Wiper	56	16340	389042	Thrust Bearing
9	45200	318372	O-ring	57	22625	914716	Clutch Dog
10	22375	304027	Screw	58	21135	313448	Cross Pin
11	33960	911878	Gasket	59	11052	324369	Spring
12	86620	911705	Seal	60	22414	395209	Prop Shaft 1-3/16 (1986-90)
13	12960	911706	Tube	60	22416	436888	Prop Shaft (All 4-CYL. 1987-90)
14	12961	911715	Guide	60	22417	435022	Prop Shaft 1-1/4 (1991-93)
15	27760	915720	Water Passage Housing	61	21651	336565	Thrust Washer
16	22404	911709	Upper Drive Shaft	62	16300	382408	Thrust Bearing
17	21180	121731	Nut	63	21642	314731	Thrust Washer
18	21490	305981	Washer	64	82400	305123	O-ring
19	33970	915719	Gasket	64	82370	313446	O-ring 4-CYL.
20	83250	318717	O-ring	65	11406	5000074	Bearing Carrier (1986-90)
21	22362	317624	Screw	65	11408	5004257	Bearing Carrier (1991-93)
22	27770	984462	Bearing Housing	66	22870	382407	Bearing
23	81380	314728	O-ring	67	11410	387247	Bearing (1986-90)
24	23590	323362	Shim .003	67	22950	434467	Bearing (1991-93)
24	23580	323361	Shim .004	68	85130	320862	Oil Seal (1986-90) 2-pieces
24	23510	314745	Shim .005	68	86810	334950	Oil Seal (1991-93) 2-pieces
25	21645	327656	Thrust Washer	69	12737	431708	Anode
26	16330	387656	Thrust Bearing	70	22320	908158	Screw
27	12962	911710	Plug	71	27850	333957	Tab
28	22406	911693	Lower Drive Shaft	72	22373	341541	Screw
29	11190	314730	Nut	73	22221	126870	Thrust Washer
30	22623	987670	P/Forward Gear Set	74	22190	320570	Spacer
31	22624	915273	Reverse Gear (1986-93)	75	21033	914736	Shift Rod
32	12774	3853818	Anode	76	21245	914743	Nut
33	22365	914535	Screw	77	26440	914723	Rod End
34	21674	330265	Washer	78	22388	308825	Screw
35	22366	328096	Screw	79	21032	986658	Shift Rod Assembly
36	22367	330263	Screw	80	22471	911713	Stud
37	12776	436745	Anode	81	22472	911714	Stud
38	22368	313715	Screw	82	23112	912392	Trim Tab
39	22369	912127	Screw	83	21678	306358	Washer
40	21761	328701	Lockwasher	84	22300	316563	Screw & Seal
41	21731	318544	Draining Screw	85	86640	332583	Seal
42	31171	311598	Gasket	86	82370	313446	O-ring
43	22371	331999	Screw	87	87655	985612	Seal Kit - 4-Cyl.
44	22185	398042	Nut & Keeper	88	87656	439967	Seal Kit - V6/V8 & 4-Cyl. (1990 & Up)
45	22142	306394	Cotter Pin				
46	27700	389455	Housing & Bearing Assembly				
47	22910	389039	Bearing				
48	21138	331880	Pin				

TOC

Manifolds-Merc.

Manifolds-OMC

Manifolds-Volvo

Manifolds-Barr

MerCruiser

Merc / Mar / For

OMC / Volvo

Johnson / Evin

Yamaha

Index / X-Ref.

Warranty

**Lower Gear Housing Gear Sets
OMC Cobra (1986-1993)**



22622 Standard
22666 Heavy Duty

Complete Heavy Duty Gear Set 12:22 (w/o Clutch)

22666	OEM: N/A	1990-1993	3.0L, 4-Cyl. GM, 181 CID (except 1990 2.3L)
Stronger More Durable Quieter		1986-1993	4.3L, V6 GM, 262 CID
		1986-1993	5.0L, V8 Ford, 302 CID
		1986-1993	5.0L, V8 GM, 305 CID
		1986-1993	5.7L, V8 GM, 350 CID
		1986-1993	5.8L, V8 Ford, 351 CID

Note: The Heavy Duty Gears will not interchange with the standard Cobra gears. For individual gear replacement, you must use the Standard Duty gears. In 1991 OMC's large dia. prop shaft utilizes a thrust washer (included in gear set). Discard the thrust washer when using the small diameter prop shaft. GLM recommends installing a new clutch No. 22625.

Clutch Dog for Heavy Duty Gear Set

22625	OEM: 915272	1986-1993	For Heavy Duty Gears GLM recommends No. 22625 for the Heavy Duty Gears (not included in gear set 22666).
-------	-------------	-----------	---

Complete Standard Duty Gear Set 14:26 (w/ clutch)

22622	OEM: 986980	1990-1993	3.0L, 4-Cyl., Lrg. Grcse. (except 1990 2.3L)
		1986-1993	4.3L, V6 GM, 262 CID Lrg.
		1986-1993	V8 Lrg. Grcse.

Note: GLM recommends the Heavy Duty Gear Set No. 22666 for all V8. In 1991 OMC's large dia. prop shaft utilizes a thrust washer (included in gear set). Discard the thrust washer when using the small diameter prop shaft.

Pinion & Forward Gear Set 14:26, Thrust Washer & Bearing

22623	OEM: 987670	1986-1993	For Standard Gears May be used with OMC reverse gear.
21646	OEM: 327669	1986-1993	Thrust Washer, Fwd Gear
16340	OEM: 389042	1986-1993	Thrust Bearing, Fwd Gear

Reverse Gear w/ Thrust Washer

22624	OEM: 915723	26 teeth	For Standard Gears Includes thrust washer No. 21651 May be used with OMC fwd & pinion gears.
-------	-------------	----------	--

Clutch Dog, Spring & Cross Pin - Standard Gears

22625	OEM: 915272	1986-1993	Clutch Dog
11052	OEM: 324369	1986-1993	Spring
21135	OEM: 313488	1986-1993	Cross Pin

Complete 4-Cylinder Gear Set 13:26 (w/ clutch)

22630	OEM: 986979	1987-1990	2.3L, 4-Cyl., Small Grcse.
		1986-1989	3.0L, 4-Cyl., Small Grcse.

Pinion & Forward Gear Set 13:26, Thrust Washer & Bearing

22631	OEM: 985050	1986-1990	Pinion & Fwd Gear Set May be used with OMC reverse gear.
21644	OEM: 324766	1986-1990	Thrust Washer, Fwd Gear
16310	OEM: 385043	1986-1990	Thrust Bearing, Fwd Gear

**Lower Gear Housing Gear Sets
OMC Cobra (1986-1993) continued...**

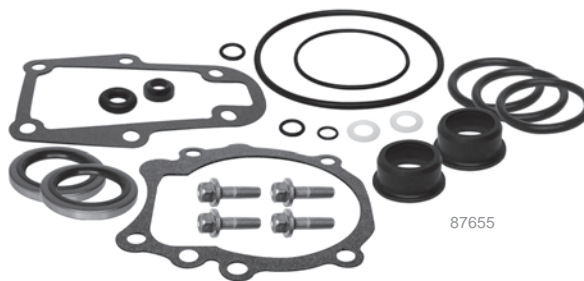
Reverse Gear

22632	OEM: 345992	26 teeth	For 4-Cylinder Gears May be used with OMC fwd & pinion gears.
-------	-------------	----------	--

Clutch Dog, Spring & Cross Pin - 4-Cylinder Gears

22633	OEM: 912607	1986-1990	Clutch Dog
11052	OEM: 324369	1986-1990	Spring
21135	OEM: 313488	1986-1990	Cross Pin

**Lower Gear Housing Seal Kits
OMC Cobra (1986-1993)**

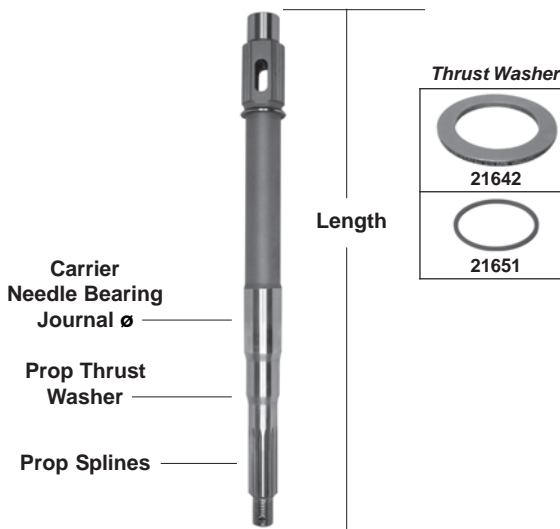


87655

87655	OEM: 985612	3.0L (1986-1989), 2.3L (1987-1990)
87655	OEM: 439967	3.0L (1990-1993), V6/V8 (1986-1993) Except King Cobra

Prop Shafts

OMC Cobra (1986-1993)



22416	OEM: 436888	2.3L (1987-90), 3.0L (1986-89), 4-Cyl.	Length: 15-3/8", Journal ø: 1-1/8", Prop Splines: 13 Prop Thrust Washer: 21642 (Reverse Gear)
22414	OEM: 395209	3.0L, 4-Cyl. (1990), V6 & V8 (1986-90)	Length: 17-13/16", Journal ø: 1-3/16", Prop Splines: 15 Prop Thrust Washer: 21642 (Reverse Gear)
22417	OEM: 5004765	All (1991-1993)	Length: 17-13/16", Journal ø: 1-1/4", Prop Splines: 15 Prop Thrust Washer: 21642 (Reverse Gear) & 21651

GLM Products, Inc.

Prop Shaft - OMC Cobra 4-Cyl., 2.3L (1987-90), 3.0L (1986-1989)



22416	OEM: 436888	Prop Shaft
86030	OEM: 330137	Prop Shaft Seal (2)
22860	OEM: 379504	Prop Shaft Bearing
22870	OEM: 382407	Reverse Gear Bearing
21642	OEM: 314731	Thrust Washer Reverse Gear
16300	OEM: 382408	Thrust Bearing Reverse Gear
82370	OEM: 313446	O-ring, Bearing Carrier

Prop Shaft - OMC Cobra 4-Cyl., 3.0L (1990), V6 & V8 (1986-1990)



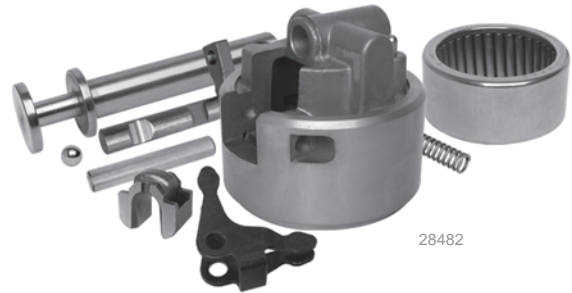
22414	OEM: 395209	Prop Shaft - 1-3/6" Dia. Prop Shaft
85130	OEM: 320862	Prop Shaft Seal (2)
11410	OEM: 387247	Prop Shaft Bearing
22870	OEM: 382407	Reverse Gear Bearing
21642	OEM: 314731	Thrust Washer, Reverse Gear
16300	OEM: 382408	Thrust Bearing, Reverse Gear
82400	OEM: 305123	O-ring, Bearing Carrier

Prop Shaft - OMC Cobra All (1991-1993)



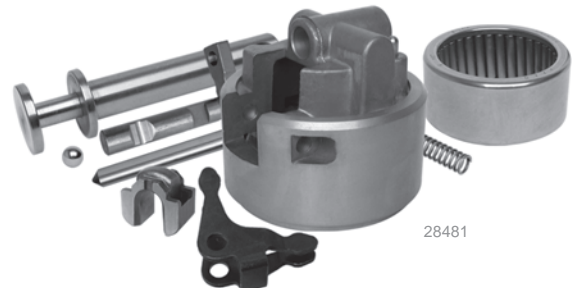
22417	OEM: 5004765	Prop Shaft - 1-1/4" Dia. Prop Shaft
86810	OEM: 334950	Prop Shaft Seal (2)
22950	OEM: 434467	Prop Shaft Bearing
11408	OEM: 5004257	Bearing Carrier (comes with 86810, 22950 & 22870)
22373	OEM: 350271	Screw
27850	OEM: 333957	Tab
22870	OEM: 382407	Reverse Gear Bearing
21642	OEM: 314731	Thrust Washer, Reverse Gear
21651	OEM: 336565	Thrust Washer
16300	OEM: 382408	Thrust Bearing, Reverse Gear
82400	OEM: 305123	O-ring, Bearing Carrier

Shaft & Bearing Housing Kit & Components OMC Cobra - 4-Cyl., 2.3L (1987-1990), 3.0L (1986-1989)



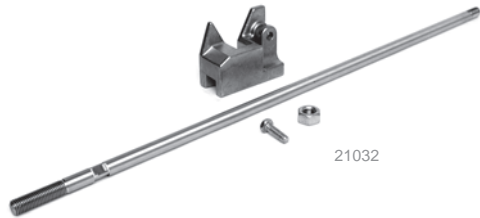
28482	OEM: N/A	Shaft & Bearing Housing Kit
27702	OEM: 391365	Housing & Bearing Assy. w/ 22870
22870	OEM: 382407	Forward Gear Bearing
27741	OEM: 324037	Lever
21135	OEM: 313448	Pin
27720	OEM: 915954	Detent
22491	OEM: 160084	Detent Ball
11055	OEM: 911962	Spring
27710	OEM: 322941	Shaft
27730	OEM: 982422	Cradle

Shaft & Bearing Housing Kit & Components OMC Cobra - 3.0L (1990-1993), V6 & V8 (1986-1993)



28481	OEM: N/A	Shaft & Bearing Housing Kit
27700	OEM: 389455	Housing & Bearing Assy. w/ 22910
22910	OEM: 389039	Forward Gear Bearing
27740	OEM: 322938	Lever
21137	OEM: 328825	Pin
27720	OEM: 915954	Detent
22491	OEM: 160084	Detent Ball
11055	OEM: 911962	Spring
27710	OEM: 322941	Shaft
27730	OEM: 982422	Cradle

**Shift Shaft Assy. & Components
OMC Cobra - 3.0L (1990-1993),
V6 & V8 (1986-1993)**



21032	OEM: 986658	Shift Rod Assembly
21033	OEM: 914736	Shift Rod - 15-1/4"
26440	OEM: 914723	Rod End
21245	OEM: 914743	Nut
22388	OEM: 308825	Screw

**Cover & Seal Assy. & Components
OMC Cobra (1986-1993)**

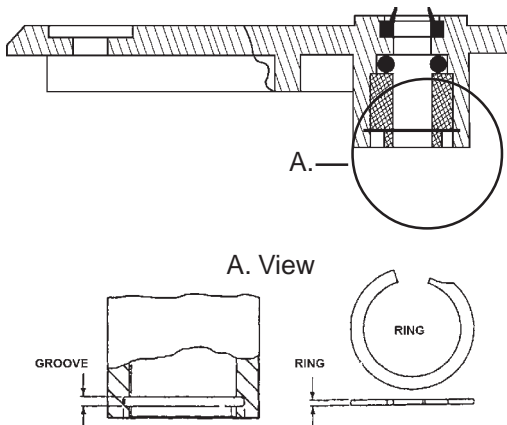


27750	OEM: 986838	Cover & Seal Assy. (comes w/ 22390 & 45200)
22390	OEM: 912157	Wiper
45200	OEM: 318372	O-ring
22375	OEM: 304027	Screw
33960	OEM: 911878	Gasket

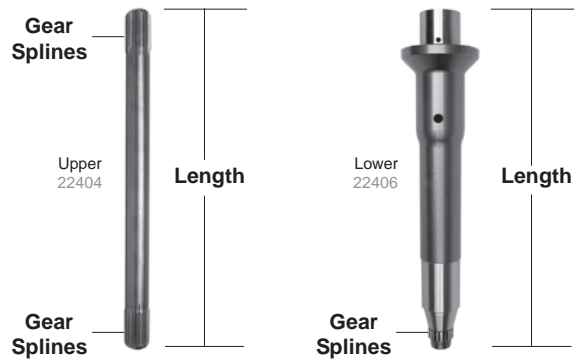
**GLM's Re-Design of the
Cover & Seal Assembly**

GLM proudly uses Smalley* internal snap ring for holding the sealing bushing. Unlike the OEMs which locks it dead. No special tools are required for replacing the seal and a service job can be finished in seconds!

*Smalley Steel Ring Co. is a GM vender



**Lower Gear Housing Drive Shafts
OMC Cobra (1986-1993)**



22404	OEM: 911709	Upper Drive Shaft OMC Cobra (1986-1993) Length: 12-1/6", Gear Splines: 20
22406	OEM: 911693	Lower Drive Shaft 3.0L (1990-93), V6 & V8 (1986-1993) Length: 9-3/4", Gear Splines: 19

**Lower Gear Housing
Drive Shaft Components
OMC Cobra (1986-1993)**



12962	OEM: 911710	Plug, Upper Drive Shaft
21610	OEM: 387817	Pinion Bearing, Lower Drive Shaft 3.0L (1990-93), V6 & V8 (1986-93)
22880	OEM: 384195	Pinion Bearing, Lower Drive Shaft 2.3L (1987-90), 3.0L (1986-89)
11190	OEM: 314730	Pinion Nut

**Lower Gear Housing
Water Passage Housing & Components
OMC Cobra (1986-1993)**

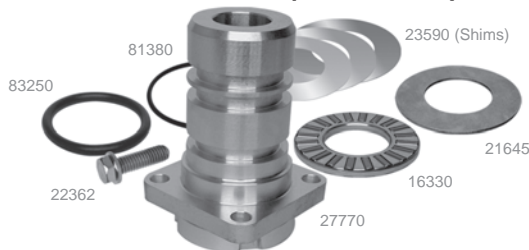


12960	OEM: 911706	Tube
12961	OEM: 911715	Guide
86620	OEM: 911705	Seal, Tube
21180	OEM: 121731	Nut
21490	OEM: 305981	Washer
27760	OEM: 915720	Water Passage Housing
33970	OEM: 915719	Gasket, Water Passage

TOC
Manifolds-Merc.
Manifolds-OMC
Manifolds-Volvo
Manifolds-Bar
MerCruiser
Merc / Mar / For
OMC / Volvo
Johnson / Evin
Yamaha
Index / X-Ref.
Warranty

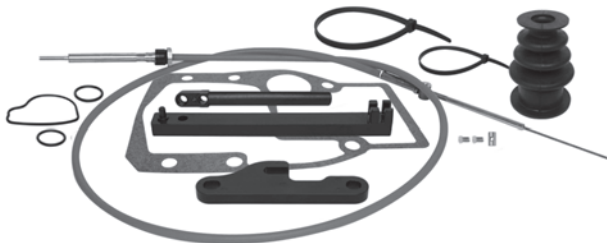
GLM Products, Inc.

Lower Gear Housing Bearing Housing & Components OMC Cobra (1986-1993)



- 83250** OEM: 318717 O-ring, Upper
- 22362** OEM: 317624 Screw
- 27770** OEM: 984462 Bearing Housing
- 81380** OEM: 314728 O-ring, Lower
- 23590** OEM: 323362 Shim 0.003"
- 23580** OEM: 323361 Shim 0.004"
- 23510** OEM: 314745 Shim 0.005"
- 21645** OEM: 327656 Thrust Washer
- 16330** OEM: 387656 Thrust Bearing

Shift Cable Assembly Kit OMC Cobra (1986-1993)



- 21455** OEM: N/A OMC Cobra
(plastic tool kit included)

Shift Cable Guide Tube Kit OMC Cobra (1986-1993)



- 21435** OEM: N/A For all "Clutch Dog" Cobra

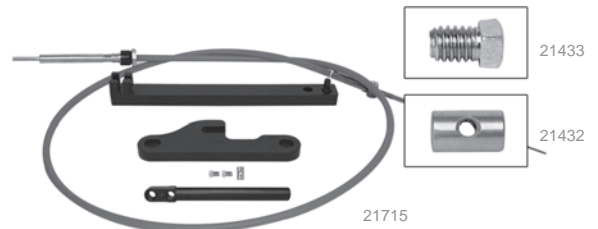
Shift Cable Adjustment Tool Kits OMC Cobra (1986-1993)



- 90520** OEM: 914017 + 915271 Shift Cable Adjustment Tool Kit (Aluminum)
- 90580** OEM: 914017 + 915271 Shift Cable Adjustment Tool Kit (Plastic)*
- 90500** OEM: 914017 Bellcrank Alignment Plate (Aluminum)
- 90510** OEM: 915271 Shift Cable Tool (Aluminum)

*Note: No. 90580 Plastic Parts Not Sold Separately.

Shift Cable Assembly Kit & Components OMC Cobra (1986-1993)



- 21715** OEM: 987661 Shift Cable Assembly Kit
(w/ set screws, guide tube, anchor & plastic tool kit)
- 21433** OEM: 912304 Set Screw
- 21434** OEM: 914742 Guide Tube
- 21432** OEM: 915918 Anchor

Transom Service Kit & Components OMC Cobra (1986-1993)



- 21962** OEM: N/A Transom Service Kit
- 39630** OEM: 508105 Outdrive Mounting Kit
(comes w/ Gasket, Seal & O-rings)
- 89210** OEM: 911826 Shift Cable Bellow
- 89190** OEM: 914036 Exhaust Bellow
- 89200** OEM: 3854127 U-Joint Bellow (1986-98)
- 21906** OEM: 983937 Gimbal Bearing

Gimbal Bearing - Maintenance Free! OMC Cobra (1986-1993)

Maintenance Free!



GLM Built in U.S.A.

- 21906** OEM: 983937 OMC Cobra (1986-93)

Trailer Clips OMC Cobra (1986-1993)



- 90071** OEM: 174448 For OMC Cobra

GLM Products, Inc.

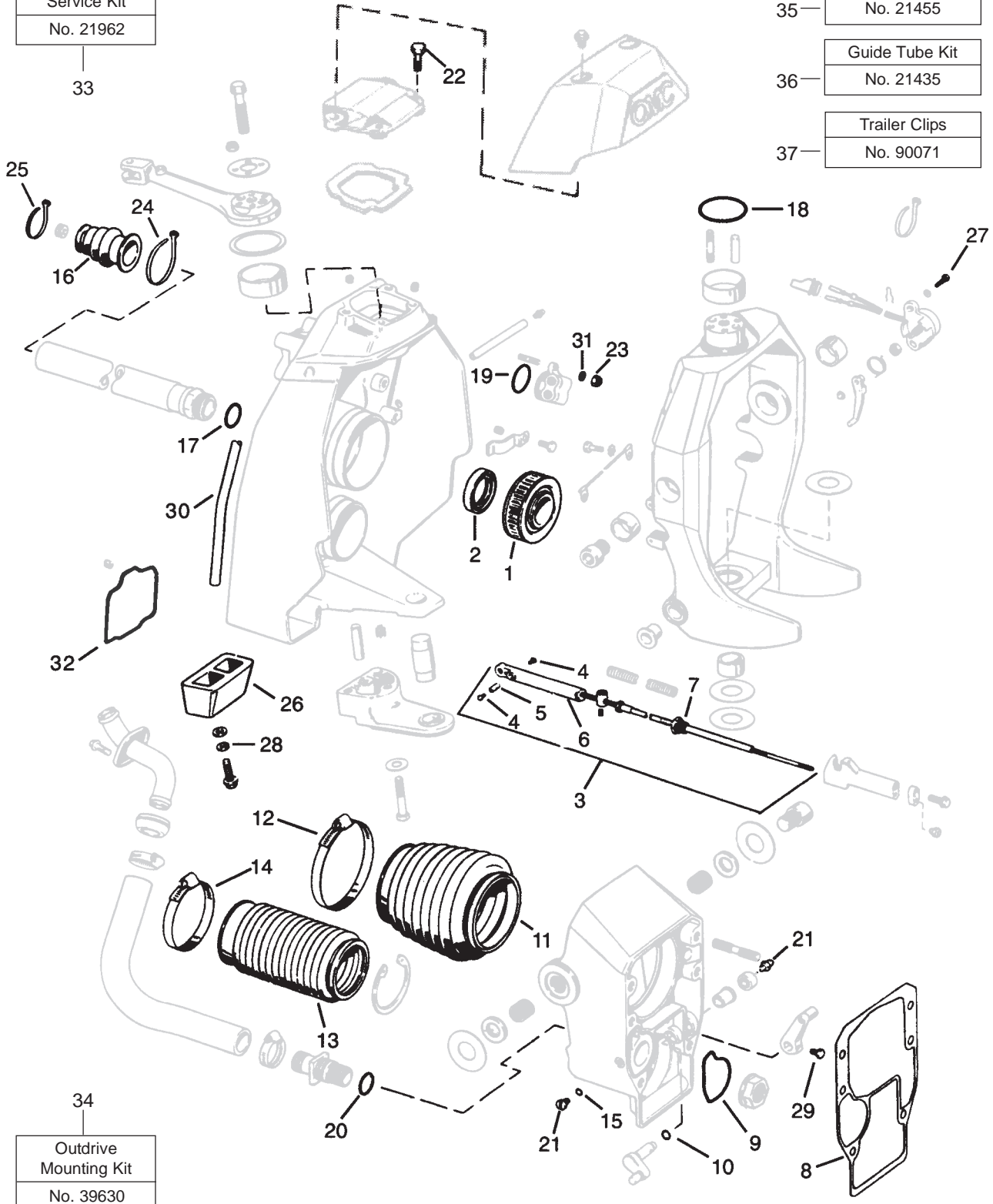
COBRA - TRANSOM ASSEMBLY (1986-1993)

Transom Service Kit
No. 21962

Shift Cable Assy. Kit
No. 21455

Guide Tube Kit
No. 21435

Trailer Clips
No. 90071



Outdrive Mounting Kit
No. 39630



TOC

Manifolds-Merc.

Manifolds-OMC

Manifolds-Volvo

Manifolds-Barr

MerCruiser

Merc / Mar / For

OMC / Volvo

Johnson / Evin

Yamaha

Index / X-Ref.

Warranty

STERNDRIVE UNIT APPLICATION - OMC STRINGER (1973-1985)

Model	Year	Ratio	Upper Housing	Upper Complete	Lower Housing	Lower Complete
All 4-Cylinder	1973-1977	21:18	27000	27500	N/A	N/A
All 4-Cylinder	1978-1985	21:18	27000	27500	N/A	28830*#
L6, 165 HP, 250 CID	1973-1977	21:19	27000	27300	N/A	N/A
V6 GM, 3.8L, 229 CID	1981-1985	21:20	27000	27400	28600	28830
V6 GM, 4.3L, 262 CID	1985	21:19	27000	27300	28600	28830
V6 GM, 5.0L, 307 CID	1973-1977	21:17	27000	27200	N/A	N/A
V6 GM, 5.0L, 305 CID	1978-1985	21:17	27000	27200	28600*	28830*
V6 Ford, 5.0L, 302 CID	1974-1977	21:17	27000	27200	N/A	N/A
V8 GM, 5.7L, 350 CID	1978-1985	21:16	27000	27100	28600*	28830*
V8 Ford, 5.8L, 351 CID	1975-1977	21:16	27000	27100	N/A	N/A
V8 Ford, 5.8L, 351 CID	1978-1979	21:16	27000	27100	28600*	28830*

GLM No. 27000 will work on all 1973-1985 OMC sterndrives and will accept the original internal and external OMC components.

* GLM No. 28830 complete lower gear housing is a direct replacement for the 1981-1985 OMC lower gear housing. The installation of the 1981-1985 ESA (Electronic Shift Assist) components and shift cable are necessary to replace the lower gear housing on the 1978-1980 OMC sterndrives with hydraulic shift.

GLM No. 28830 complete V6/V8 lower gear housing (large diameter) can be used to replace the 1978-1985 four-cylinder lower gear housing (small diameter) if the upper housing gear ratio is changed to 21:20. The installation of the 1981-1985 ESA (Electronic Shift Assist) components and shift cable are necessary to replace the lower gear housing on the 1978-1980 OMC sterndrives with hydraulic shift.

^ GLM No. 28600 lower housing will not replace the 1978-1980 OMC lower housings with hydraulic shift.

GLM No. 28830 is the Strongest Lower Gear Housing Assembly in the Marine Industry for 1978-1985* OMC V6 & V8 Sterndrives (w/o Shift Assembly).

All GLM replacement lower gear housings for the V6 and V8 OMC Stringer sterndrives have the new heavy duty No. 22666 gear sets. This new gear set has fewer, larger, stronger teeth. The pinion gear has 12 teeth and the forward and reverse gears have 22 teeth. The original OEM gear set has 14 teeth on the pinion and 26 teeth on the forward and reverse gears. During the gear machining process an additional pass is made over each tooth for a finer surface. This makes the gear operation especially quiet. These durable gears are capable of operating with up to 300 horsepower. All GLM lower gear housings have the large 1-1/4 inch diameter prop shafts with a reverse thrust washer installed between the shaft and reverse gear**.

* Many 1978-1980 OMC sterndrives have had the hydraulic shift lower gear housing replaced with the 1981-85 mechanical shift lower gear housing. Sterndrives with the original hydraulic shift lower gear housing do not have an ESA (electronic shift assist) box or overstroke switches on the shift converter. 1978-1980 sterndrives that have been converted to the mechanical shift lower gear housing do/must have the ESA and overstroke switches installed.

**For model year 1991 OMC increased the prop shaft diameter at the carrier needle bearing (not the prop splines) from 1-3/16 to 1-1/4 inches. The larger prop shaft/needle bearing is a direct replacement into the 1981-1985 lower gear housing and is installed in all GLM lower gear housings.

IMPROVEMENTS to GLM HOUSING: (1) Sand Cast from superior A356T5 Aluminum Alloy, not inferior A380T6. (2) Mercruiser style pressed fit pinion needle bearing. (3) Prop Shaft Carrier is retained with bolts and tabs (1991-1993 Cobra style), 1978-1985 carriers are held in place with internal snap rings and 1/4" bolts. (4) Prop Shaft Carrier is prevented from rotating with a key and groove. (5) Water pickup screens are removable without disassembling the drive.

UPPER GEAR HOUSING KITS APPLICATION - OMC STRINGER (1973-1985)

Engine / Model / Year	Ratio (Teeth)	Upper Rebuild Kit	Bearing Retainer Kit	Upper Seal Kit
All 4-Cylinder	21T/18T	22537	22567	87650
V6, 3.8L, 229 CID	21T/20T	22539	22570	87650
L6, 165 HP	21T/19T	22538	22568	87650
V6, 4.3L, 262 CID	21T/19T	22538	22568	87650
V8 Ford, 5.0L, 302 CID	21T/17T	22516	22580	87650
V8 GM, 5.0L, 305 CID	21T/17T	22516	22580	87650
V8 GM, 5.7L, 350 CID	21T/16T	22519	22590	87650
V8 Ford, 5.8L, 351 CID	21T/16T	22519	22590	87650



GLM Products, Inc.

Upper Gear Housings OMC Stringer (1973-1985)

100% New



Complete

Empty Hsg.

Complete Upper Gear Housing Assemblies

GLM	OEM	Ratio	Year	Engine
27500	982488	21:18	1973-1985	All 4-Cylinder
27400	982739	21:20	1973-1985	V6, 3.8L, 229 CID
27300	981229	21:19	1973-1985	L6, 165 HP
			1973-1985	V6 4.3L, 262 CID
27200	982487	21:17	1973-1985	V8 Ford, 5.0L, 302 CID
			1973-1985	V8 GM, 5.0L, 305 CID
27100	982488	21:16	1973-1985	V8 Ford, 5.8L, 351 CID
			1973-1985	V8 GM, 5.7L, 350 CID

Upper Gear Housing - Empty

27000	982226	-	1973-1985	OMC Stringer (will accept the original internal & external components)
-------	--------	---	-----------	---

Upper Rebuild & Bearing Retainer Assy. Kits OMC Stringer (1973-1985)



Upper Rebuild Kits

22519	N/A	Ratio: 21:16	22538	N/A	Ratio: 21:19
22516	N/A	Ratio: 21:17	22539	N/A	Ratio: 21:20
22537	N/A	Ratio: 21:18			

Bearing Retainer Assembly Kits

22590	982478	Ratio: 21:16	22568	984263	Ratio: 21:19
22580	982477	Ratio: 21:17	22570	982738	Ratio: 21:20
22567	982476	Ratio: 21:18			

Upper Gear Housing Seal Kits OMC Stringer (1973-1985)

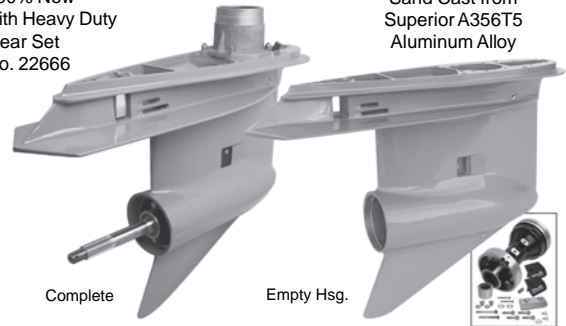


87650	OEM: 982949	1973-1985	All Models
87651	OEM: 981799	1968-1972	100 thru 245 HP

Lower Gear Housings OMC Stringer (1978-1985)

100% New
with Heavy Duty
Gear Set
No. 22666

Sand Cast from
Superior A356T5
Aluminum Alloy



Complete

Empty Hsg.

Complete Lower Gear Housing Assemblies

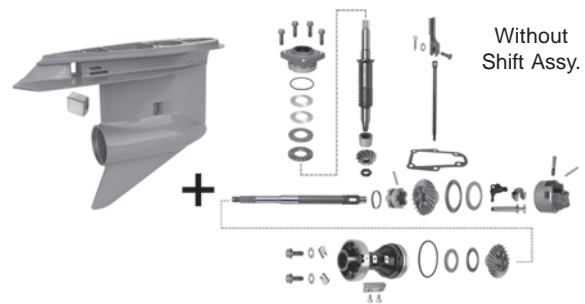
GLM	OEM	Ratio	Year	Engine
28830	987242	12:22	1981-1985	V6, 3.8L
			1985	V6, 4.3L
			1981-1985	V8, 5.0L, 200-230 HP
			1981-1985	V8, 5.7L, 260 HP

Lower Gear Housing - Empty

28600	438050	-	1981-1985	V6, 3.8L
			1985	V6, 4.3L
			1981-1985	V8, 5.0L, 200-230 HP
			1981-1985	V8, 5.7L, 260 HP

(No. 28600 fits 1978-1985 V6 or V8 w/ mechanical shift. Will not fit the 1987-1980 w/ hydraulic shift. Will accept the original internal & external components when using prop bearing carrier No. 11406).

Complete Lower Gear Housing Assy. Kit OMC Stringer (1978-1985)



Without
Shift Assy.

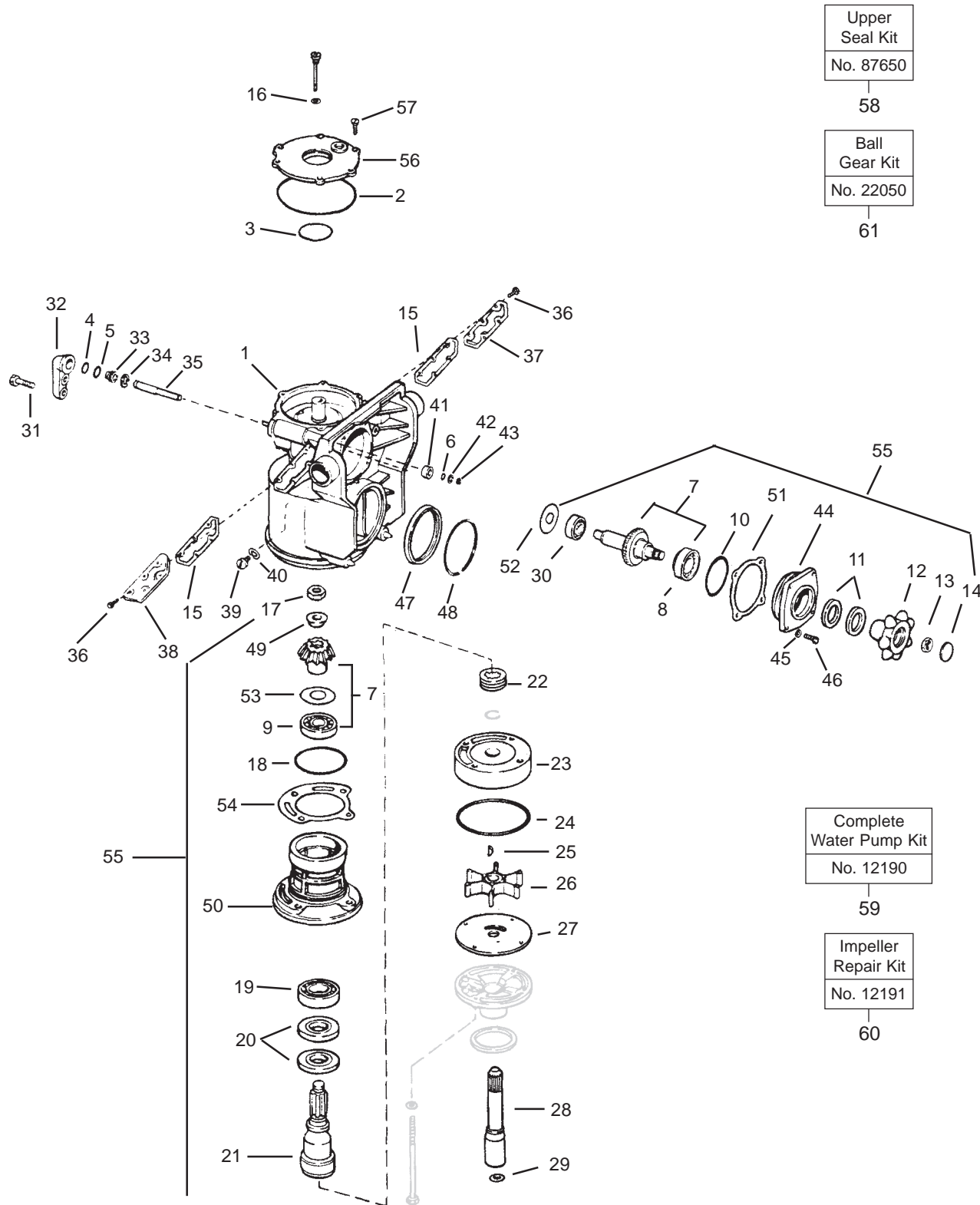
28870	N/A	Ratio: 1:86	1978-1985	V6 & V8 w/ mechanical shift.
-------	-----	-------------	-----------	---------------------------------

Lower Gear Housing Seal Kits OMC Stringer (1968-1985)



87620	OEM: 981797	1968-1977	100-245 HP w/ electric shift
87640	OEM: 982947	1978-1985	4-Cyl. w/ mechanical shift
87630	OEM: 982946	1978-1985	V6/V8 w/ mechanical shift

STRINGER - UPPER GEAR HOUSING (1973-1985)



GLM Products, Inc.

STRINGER - UPPER GEAR HOUSING (1973-1985)

Ref No.	GLM No.	OEM No.	Description	Ref No.	GLM No.	OEM No.	Description
1	27000	982226	Upper Gearcase Assembly	42	31173	314390	Gasket
2	82480	313175	O-ring	43	27830	911317	Retaining Ring
3	82250	310327	O-ring (Electric Shift)	44	27960	313184	Bearing Retainer
3	82250	910582	O-ring (400-800)	45	21492	302290	Lockwasher
4	82140	302540	O-ring (Early Model)	46	22327	909386	Screw
4	80230	909140	O-ring (Late Model)	47	86652	308768	Seal
5	42140	909139	Quad Ring	48	11056	308590	Spring
6	41120	909048	Quad Ring	49	22515	909123	Centering Cone
7	22510	982261	Gears 21:16	50	27950	910240	Bearing Housing
7	22512	982259	Gears 21:17	51	23312	313202	Shim .002
7	22514	984262	Gears 21:19	51	23313	313203	Shim .003
7	22518	982835	Gears 21:18	51	23314	313204	Shim .004
7	22530	982244	Gears 21:20	51	23315	313205	Shim .005
8	21544	382212	Bearing	51	23316	313206	Shim .006
9	21545	379585	Bearing	52	23323	313163	Shim .003
10	82350	308621	O-ring	52	23324	313164	Shim .004
11	86080	981196	Oil Seal	52	23325	313165	Shim .005
12	22020	908069	Ball Gear	52	23326	313166	Shim .006
13	22330	908064	Nut	52	23327	313167	Shim .007
14	22030	908052	Cover	52	23328	313168	Shim .008
15	34180	308592	Gasket	53	23333	313193	Shim .003
16	33050	315189	Gasket	53	23334	313194	Shim .004
17	22310	907866	Lock Nut	53	23335	313195	Shim .005
18	82360	553126	O-ring	53	23336	313196	Shim .006
19	21546	382165	Bearing	53	23337	313197	Shim .007
20	86090	981268	Oil Seal	53	23338	313198	Shim .008
21	22412	909121	Drive Shaft (Low Profile)	53	23339	313199	Shim .009
21	22422	981220	Drive Shaft (High Profile)	53	23340	313200	Shim .010
21	22423	382883	Drive Shaft (High Profile)	54	23345	313185	Shim .005
22	86100	907774	Shaft Seal	54	23346	313186	Shim .006
23	12390	983298	Pump Housing	54	23347	313187	Shim .007
24	82520	910238	O-ring	54	23348	313188	Shim .008
25	89595	308928	Key	54	23349	313189	Shim .009
26	89760	777130	Impeller Pump Plate	54	23350	313190	Shim .010
27	12590	313176	Pump Plate	55	22567	982476	Bearing Retainer Assy. 2.5/3.0L
28	22410	909753	Pump Drive Shaft (Low Profile)	55	22570	982738	Bearing Retainer Assy. 3.8L
28	22411	908087	Pump Drive Shaft (High Profile)	55	22568	984263	Bearing Retainer Assy. 4.3L
29	80220	314491	O-ring	55	22580	982477	Bearing Retainer Assy. 5.0L
30	21547	375761	Bearing	55	22590	982478	Bearing Retainer Assy. 5.7L
31	22329	305282	Screw	56	27860	313228	Cover
32	27970	908870	Bracket	57	22307	909638	Screw
33	27990	908871	Retainer	58	87650	982949	Seal Kit
34	27840	911316	Retainer Ring	59	12190	983218	Complete Water Pump Kit
35	27980	908890	Spacer Shaft	60	12191	-	Impeller Repair Kit
36	22328	3852473	Screw	61	22050	-	Ball Gear Kit
37	28440	308699	Water Cover - Stbd.				
38	28450	308591	Water Cover - Port				
39	21731	318544	Screw Set				
40	31171	311598	Gasket				
41	27820	308883	Bushing				

TOC

Manifolds-Merc.

Manifolds-OMC

Manifolds-Volvo

Manifolds-Barr

MerCruiser

Merc / Mar / For

OMC / Volvo

Johnson / Evin

Yamaha

Index / X-Ref.

Warranty

TOC

Manifolds-Merc.

Manifolds-OMC

Manifolds-Volvo

Manifolds-Barr

MerCruiser

Merc / Mar / For

OMC / Volvo

Johnson / Evin

Yamaha

Index / X-Ref.

Warranty

**Upper Gear Sets
OMC Stringer (1973-1985)**



GLM	OEM	Ratio	Engine / Year
22518	982244	21:18	4-Cyl., All Models
22530	982835	21:20	3.8L, V6, 229 CID
22514	984262	21:19	L6, 165 HP
		21:19	4.3L, V6, 262 CID
22512	982259	21:17	5.0L, GM V8, 305 CID
		21:17	5.0L, Ford V8, 302 CID
22510	982261	21:16	5.7L, GM V8, 350 CID
		21:16	5.8L, Ford V8, 351 CID

All Gear Sets come w/ No. 21544, 21545 & 21547 Bearings

Different size engines require different gear ratios in the drive. The manufacturer changes these ratios with different gear sets. The gear ratio change is in the upper gear housing*. All 1973-1985 OMC upper gear housings are identical** except for the tooth count on the gears. Above is a chart showing the tooth count for the different size engines used with OMC sterndrives.

* All lower gear housing ratios are either 2.0:1 for the 4-Cyl. engines or 1.83:1 for the 6 & 8-Cyl. engines.

** The original driven gears in 1973 and 1974 upper gear housings are **not** machined for a centering cone. All 1975 and newer driven gears and all GLM replacement driven gears are machined for a centering cone. A new drive shaft with shorter splines and a centering cone must be installed when replacing the original (non-centering cone) driven gear.

**Upper Gear Housing
Ball Gear Kit
OMC Stringer (1973-1985)**



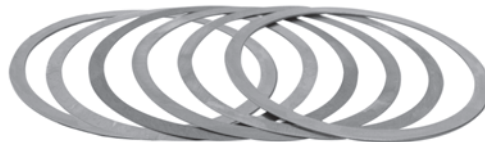
22050	OEM: N/A	Ball Gear Kit (1973-1985) (comes with Ball Gear 22010)
22010	OEM: 908063	Ball Gear, Intermediate Housing

**Upper Gear Housing
Bearing Retainer & Components
OMC Stringer (1973-1985)**



27960	OEM: 313184	Bearing Retainer
86080	OEM: 981196	Seal (2), Bearing Retainer
22020	OEM: 908069	Ball Gear
22330	OEM: 908064	Ball Gear Nut
22030	OEM: 908062	Ball Gear Cover
21492	OEM: 302290	Lockwasher
22327	OEM: 909386	Screw
21544	OEM: 382212	Tapered Roller Bearing
82350	OEM: 308621	O-ring, Bearing Retainer
23312	OEM: 313202	Shim 0.002 - Bearing Retainer
23313	OEM: 313203	Shim 0.003 - Bearing Retainer
23314	OEM: 313204	Shim 0.004 - Bearing Retainer
23315	OEM: 313205	Shim 0.005 - Bearing Retainer
23316	OEM: 313206	Shim 0.010 - Bearing Retainer
23310	OEM: N/A	Shim Kit - Bearing Retainer (23312, 23313, 23314, 23315 & 23316)

**Upper Gear Housing - Rear Shims
OMC Stringer (1973-1985)**



23323	OEM: 313163	0.003"	23327	OEM: 313167	0.007"
23324	OEM: 313164	0.004"	23328	OEM: 313168	0.008"
23325	OEM: 313165	0.005"	23320	OEM: 313163	All
23326	OEM: 313166	0.006"			Complete Kit

**Upper Gear Housing - Roller Bearing
OMC Stringer (1973-1985)**



21544	OEM: 382212	21546	OEM: 382165
21545	OEM: 379585	21547	OEM: 375761

GLM Products, Inc.

Upper Gear Housing Bearing Housing & Components OMC Stringer (1973-1985)



22310	OEM: 907866	Nut
22515	OEM: 909123	Centering Cone
21545	OEM: 379585	Upper Tapered Roller Bearing
82360	OEM: 553126	O-ring, Bearing Housing
23333	OEM: 313193	Shim 0.003 - (Circular) B.Hsg.
23334	OEM: 313194	Shim 0.004 - (Circular) B.Hsg.
23335	OEM: 313195	Shim 0.005 - (Circular) B.Hsg.
23336	OEM: 313196	Shim 0.006 - (Circular) B.Hsg.
23337	OEM: 313197	Shim 0.007 - (Circular) B.Hsg.
23338	OEM: 313198	Shim 0.008 - (Circular) B.Hsg.
23339	OEM: 313199	Shim 0.009 - (Circular) B.Hsg.
23340	OEM: 313200	Shim 0.010 - (Circular) B.Hsg.
23330	OEM: N/A	Shim Kit - (Circular) B.Hsg. (23333 thru 23339 & 23340)
23345	OEM: 313185	Shim 0.005 - Bearing Housing
23346	OEM: 313186	Shim 0.006 - Bearing Housing
23347	OEM: 313187	Shim 0.007 - Bearing Housing
23348	OEM: 313188	Shim 0.008 - Bearing Housing
23349	OEM: 313189	Shim 0.009 - Bearing Housing
23350	OEM: 313190	Shim 0.010 - Bearing Housing
27950	OEM: 910240	Bearing Housing
21546	OEM: 382165	Lower Tapered Roller Bearing
86090	OEM: 981268	Seal (2), Bearing Housing

Upper Gear Housing Cover, O-rings, Screw, Seal & Spring OMC Stringer (1973-1985)



22307	OEM: 9096381	Screw
82250	OEM: 910582	O-ring
27860	OEM: 313228	Cover
82480	OEM: 313175	O-ring, Cover
86652	OEM: 308768	Seal, Upper Gear Housing
11056	OEM: 308590	Spring, Upper Gear Housing

Upper Bearing Carrier Drive Shaft OMC Stringer (1978-1985)



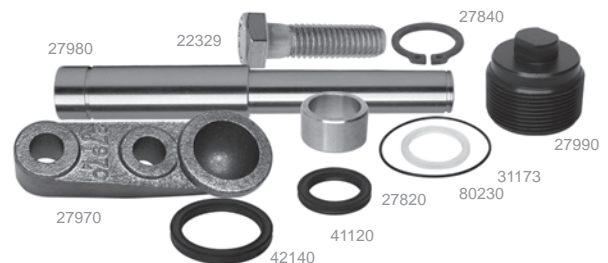
22412	OEM: 909121	1978-1985	All - Low Profile
--------------	-------------	-----------	-------------------

Upper Gear Housing Water Covers, Gaskets & Screw OMC Stringer (1973-1985)



28440	OEM: 308699	Water Cover - Stbd.
28450	OEM: 308591	Water Cover - Port
34180	OEM: 308592	Water Cover Gasket (2)
22328	OEM: 3852473	Screw

Upper Gear Housing Steering Components OMC Stringer (1973-1985)

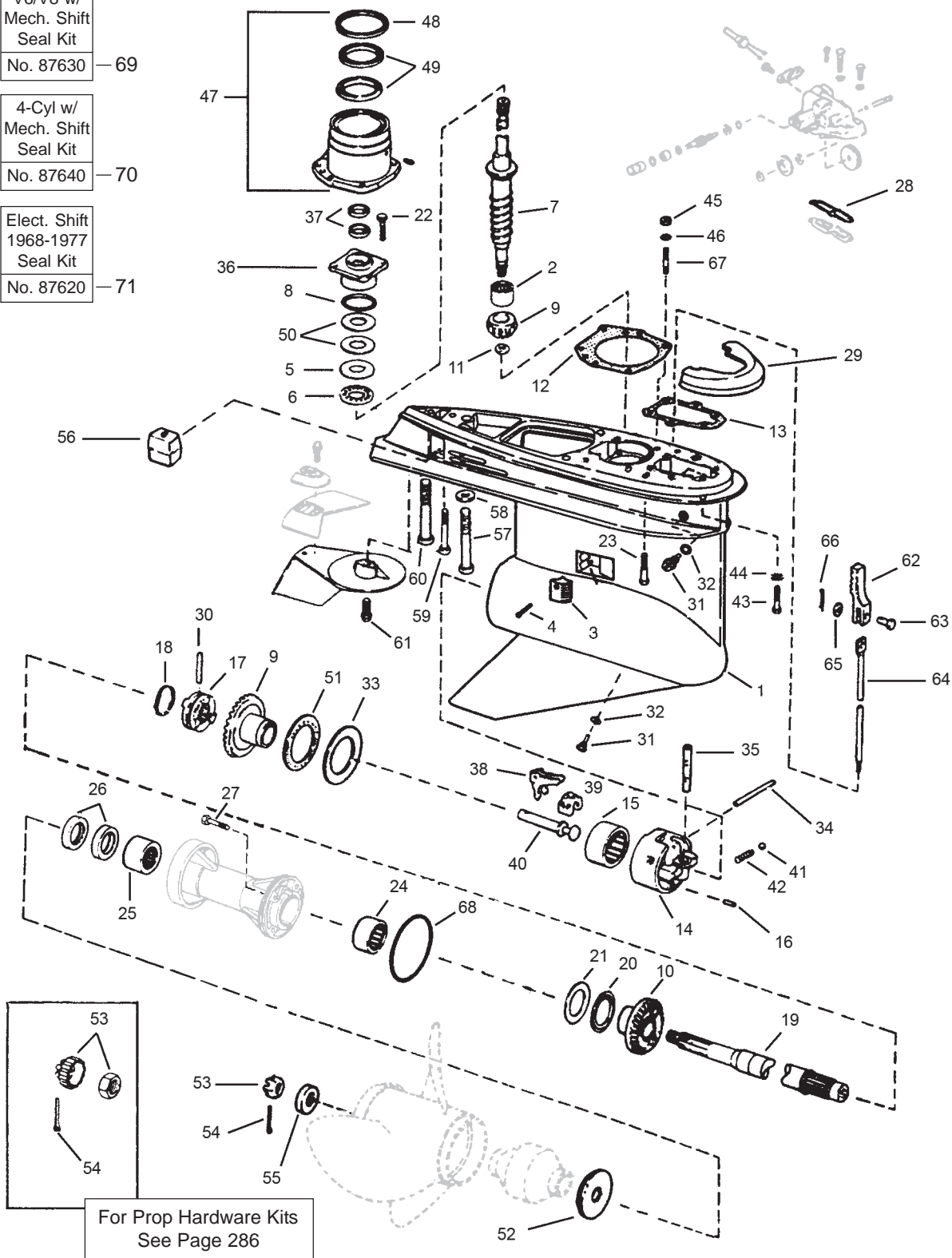


22329	OEM: 305282	Screw
27970	OEM: 908870	Bracket
80230	OEM: 909140	O-ring
42140	OEM: 909139	Quad Ring
27990	OEM: 908871	Retainer
27820	OEM: 308883	Bushing
27980	OEM: 908890	Spacer Shaft
41120	OEM: 909048	Quad Ring
31173	OEM: 314390	Gasket
27840	OEM: 911316	Retainer

TOC
Manifolds-Merc.
Manifolds-OMC
Manifolds-Volvo
Manifolds-Barr
MerCruiser
Merc / Mar / For
OMC / Volvo
Johnson / Evin
Yamaha
Index / X-Ref.
Warranty

STRINGER - LOWER GEAR HOUSING w/ MECHANICAL SHIFT (1978-1985)

- V6/V8 w/
Mech. Shift
Seal Kit
No. 87630 — 69
- 4-Cyl w/
Mech. Shift
Seal Kit
No. 87640 — 70
- Elect. Shift
1968-1977
Seal Kit
No. 87620 — 71



For Prop Hardware Kits
See Page 286



TOC
Manifolds-Merc.
Manifolds-OMC
Manifolds-Volvo
Manifolds-Barr
MerCruiser
Merc / Mar / For
OMC / Volvo
Johnson / Evin
Yamaha
Index / X-Ref.
Warranty

GLM Products, Inc.

STRINGER - LOWER GEAR HOUSING w/ MECHANICAL SHIFT (1978-1985)

Ref No.	GLM No.	OEM No.	Description	Ref No.	GLM No.	OEM No.	Description
1	28600	438050	Gearcase Assembly	38	27740	322938	Lever
2	21610	387817	Pinion Bearing	38	27741*	324037	Lever 4-Cyl.*
2	22880*	384195	Pinion Bearing 4-Cyl.*	39	27730	982422	Cradle
3	21885	337778	Screen	40	27710	322941	Shaft
4	22363	337061	Screw	41	22491	160084	Detent Ball
5	21645	327656	Thrust Washer	42	11055	911962	Spring
6	16330	387656	Thrust Bearing	43	22369	912127	Screw
7	22413	982424	Drive Shaft	44	21761	328701	Lockwasher
8	81380	314728	O-ring	45	21180	121731	Nut
9	22623*	5004216	P/Forward Gear Set M*	46	21490	305981	Washer
9	22621*	435088	P/Forward Gear Set H*	47	27780+	982439	Swivel Bearing Retainer V6 & V8 +
9	22631*	986979	P/Forward Gear Set 4-Cyl.*	48	86040	310649	Oil Seal
10	22624	910994	Reverse Gear	49	86050	313353	Oil Seal
10	22632*	345992	Reverse Gear 4-Cyl.*	50	23590	323362	Shim .003
9+10	22666	-	Gear Set (Heavy Duty)	50	23580	323361	Shim .004
11	11190	314730	Nut	50	23510	314745	Shim .005
12	34720	910236	Gasket	51	16340	389042	Thrust Bearing
12	33730*	910338	Gasket 4-Cyl.*	51	16310*	385043	Thrust Bearing 4-Cyl.*
13	33020	324670	Gasket	52	22230*	127084	Thrust Washer 4-Cyl.*
14	27700	389455	Housing & Bearing Assembly	52	22221	126870	Thrust Washer
14	27702*	391365	Housing & Bearing Assy. 4-Cyl.*	53	22150*	314503	Nut 4-Cyl.*
15	22910	389039	Bearing	54	22185	398042	Nut & Keeper
15	22870*	382407	Bearing 4-Cyl.*	54	22120*	314502	Cotter Pin 4-Cyl.*
16	21138	331880	Pin	54	22142	306394	Cotter Pin
17	22625	337774	Clutch Dog	55	22250*	315810	Spacer 4-Cyl.*
17	22633*	910578	Clutch Dog 4-Cyl.*	55	22190	320570	Spacer
18	11052	324369	Spring	56	12776	436745	Anode
19	22414*	395209	Prop Shaft M*	57	22365	914535	Screw 7/16 x 3-1/2 -14
19	22416*	436888	Prop Shaft (1976-1986) 4-Cyl.*	58	21674	330265	Washer
20	16300	382408	Thrust Bearing	59	22366	328096	Screw
21	21642	314731	Thrust Washer	60	22367	330263	Screw 3/8 x 3-1/2 -16
22	22362	317624	Screw	61	22368	313715	Screw
23	22371	331999	Screw 3/8 x 1-3/4 -16	62	27870	910311	Rack
24	22870	382407	Bearing	63	27880	910539	Pin
25	11410	387247	Bearing	64	27890+	910309	Shift Rod V6 & V8 +
26	85130	320862	Oil Seal	65	21678	306358	Washer
27	22300	316563	Screw	66	22145	306376	Cotter Pin
28	34690	909604	Gasket	67	22473	910551	Stud
29	12773	983494	Anode	68	82400	305123	O-ring
30	21135	313448	Cross Pin	68	82370*	313446	O-ring 4-Cyl.*
31	21731	318544	Draining Screw	69	87630	982946	Seal Kit V6 & V8 w/ Mech. Shift
32	31171	311598	Gasket	70	87640	982947	Seal Kit 4-Cyl. w/ Mech. Shift
33	21646	327669	Thrust Washer	71	87620	981797	Seal Kit w/ Electric Shift (1968-77)
33	21644*	324766	Thrust Washer 4-Cyl.*	<p>* The 1978-1985 OMC Sterndrives with four-cylinder engines utilize a small diameter lower gear housing.</p> <p>+ The 1978-1986 OMC sterndrives with V6 or V8 engines use a large diameter lower gear housing.</p> <p>The lower gear housing parts are interchangeable except where noted with an asterisk or plus sign.</p> <p>M* - Mechanical Shift / H* - Hydraulic Shift</p>			
34	21137	328825	Pin				
34	21135*	320145	Pin 4-Cyl.*				
35	27721	910310	Detent				
36	22730	982422	Bearing Housing & Seal				
37	86060	321467	Oil Seal				

GLM Products, Inc.

Lower Gear Sets OMC Stringer (1978-1985) w/ Mechanical Shift



Complete Heavy Duty Gear Set 12:22 (w/o Clutch)

22666	OEM: N/A	1981-1985	3.8L, V6, 229 CID
		1985	4.3L, V6, 262 CID
		1981-1985	5.0L, V8, 305 CID
		1981-1985	5.7L, V8, 350 CID

- ✓ Stronger
- ✓ More Durable
- ✓ Quieter

Note: The Heavy Duty Gears will not interchange with the standard gears. For individual gear replacement, you must use the Standard Duty gears. In 1991 OMC's large dia. prop shaft utilizes a thrust washer (included in gear set). Discard the thrust washer when using the small diameter prop shaft. GLM recommends installing a new clutch No. 22625.

Clutch Dog for Heavy Duty Gear Set

22625	OEM: 337774	1981-1985	For Heavy Duty Gears GLM recommends No. 22625 for the Heavy Duty Gears (not included in gear set 22666).
--------------	-------------	-----------	---

Complete Standard Duty Gear Set 14:26 (w/ clutch)

22622	OEM: N/A	1981-1985	3.8L, V6 GM, 229 CID
		1985	4.3L, V6 GM, 262 CID

Note: GLM recommends the Heavy Duty Gear Set No. 22666 for all V8. In 1991 OMC's large dia. prop shaft utilizes a thrust washer (included in gear set). Discard the thrust washer when using the small diameter prop shaft. This Gear Set is for OMC 1978-1985 with mechanical shift. Many 1978-1980 OMC hydraulic shift lower gearcases have been replaced with the 1981-1985 mechanical shift lower gearcase. The 1978-1980 hydraulic shift gear sets are still available, GLM No. 22620.

Pinion & Forward Gear Set 14:26, Thrust Washer

22623	OEM: 5004216	1981-1985	For Standard Gears May be used with OMC reverse gear.
21651	OEM: 327669	1981-1985	Thrust Washer, Fwd Gear

Reverse Gear w/ Thrust Washer

22624	OEM: 910994	26 teeth	For Standard Gears Includes thrust washer No. 21651 May be used with OMC fwd & pinion gears.
--------------	-------------	----------	--

Clutch Dog, Spring & Cross Pin - Standard Gears & HD

22625	OEM: 337774	1981-1985	Clutch Dog
11052	OEM: 324369	1978-1985	Spring
21135	OEM: 313448	1978-1985	Pin

Complete 4-Cyl. w/ Mech Shift Gear Set 13:26 (w/ clutch)

22630	OEM: N/A	1978-1985	4-Cyl. w/ Mechanical Shift (comes w/ Clutch 22633)
--------------	----------	-----------	---

Pinion & Forward Gear Set 13:26, Thrust Washer & Bearing

22631	OEM: 986979	1986-1990	Pinion & Fwd Gear Set
21644	OEM: 324766	1978-1985	Thrust Washer, Fwd Gear
16310	OEM: 385043	1978-1985	Thrust Bearing, Fwd Gear May be used with OMC reverse gear.

Clutch Dog, Spring & Cross Pin - 4-Cyl. w/ Mech. Shift

22633	OEM: 910578	1978-1980	Clutch Dog
11052	OEM: 324369	1978-1985	Spring
21135	OEM: 313448	1978-1985	Pin

Lower Gear Sets OMC Stringer (1978-1980) V6 w/ Hydraulic Shift



Complete V6 w/ Hyd. Shift Gear Set 14:26 (w/ clutch)

22620	OEM: N/A	1978-1980	V6 w/ Hydraulic Shift (comes w/ Clutch 22625)
--------------	----------	-----------	--

Pinion & Forward Gear Set 14:26

22621	OEM: 5004941	1978-1980	Pinion & Fwd Gear Set
--------------	--------------	-----------	-----------------------

Reverse Gear & Clutch Set - 26 Teeth

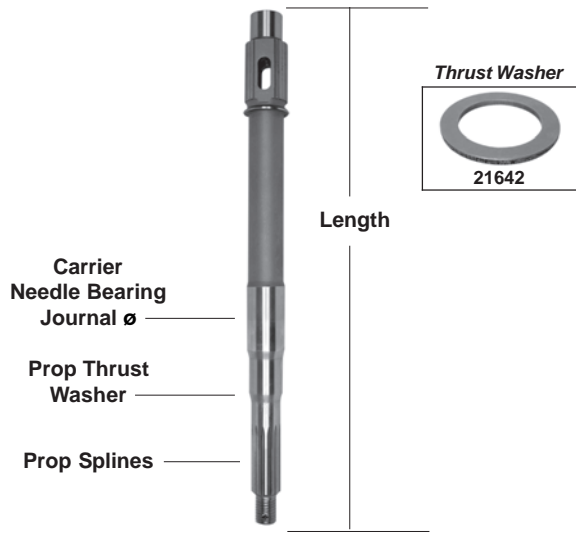
22652	OEM: 437297	1978-1980	Rev. Gear & Clutch Set
--------------	-------------	-----------	------------------------

Clutch Dog - V6 w/ Hydraulic Shift

22625	OEM: 337774	1978-1980	Clutch Dog 914716, 915272
--------------	-------------	-----------	------------------------------

Gear Set No. 22620 Fits Models:
120/140 (1978-1980 use clutch No. 22633), 185/225 (1978-1980),
240/250 Ford (1989-1979), 200/230/260 (1978-1980)
These Models also use:
Lower Drive Shaft No. 22413 & Prop Shaft No. 22415

Prop Shafts OMC Stringer (1978-1985)



22416	OEM: 436888	4-Cyl. w/ Mechanical Shift (1978-1985)	Length: 15-3/8", Journal ø: 1-1/8", Prop Splines: 13 Prop Thrust Washer: 21642 (Reverse Gear)
--------------	-------------	--	--

22414	OEM: 395209	V6 & V8 w/ Mechanical Shift (1978-1985)	Length: 17-13/16", Journal ø: 1-3/16", Prop Splines: 15 Prop Thrust Washer: 21642 (Reverse Gear)
--------------	-------------	---	---



GLM Products, Inc.

Prop Shaft - OMC Stringer 4-Cyl. w/ Mechanical Shift (1978-1985)



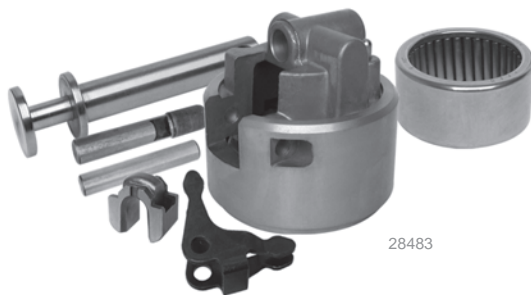
22416	OEM: 436888	Prop Shaft
86030	OEM: 330137	Prop Shaft Seal (2)
22860	OEM: 379504	Prop Shaft Bearing
22870	OEM: 382407	Reverse Gear Bearing
21642	OEM: 314731	Thrust Washer Reverse Gear
16300	OEM: 382408	Thrust Bearing Reverse Gear
82370	OEM: 313446	O-ring, Bearing Carrier

Prop Shaft - OMC Stringer V6 & V8 w/ Mechanical Shift (1978-1985)



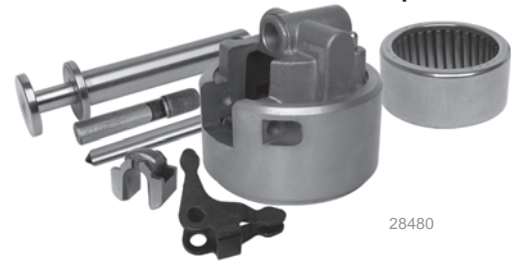
22414	OEM: 395209	Prop Shaft - 1-3/6" Dia. Prop Shaft
85130	OEM: 320862	Prop Shaft Seal (2)
11410	OEM: 387247	Prop Shaft Bearing
22870	OEM: 382407	Reverse Gear Bearing
21642	OEM: 314731	Thrust Washer, Reverse Gear
16300	OEM: 382408	Thrust Bearing, Reverse Gear
82400	OEM: 305123	O-ring, Bearing Carrier

Shaft & Bearing Housing Kit & Components - OMC Stringer 4-Cyl. w/ Mechanical Shift (1978-1985)



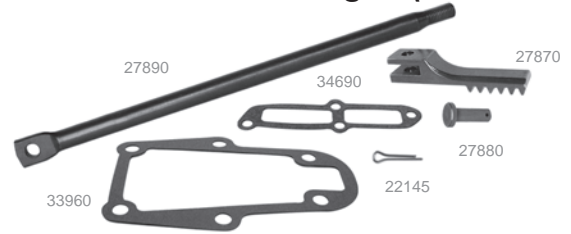
28483	OEM: N/A	Shaft & Bearing Housing Kit
27702	OEM: 391365	Housing & Bearing Assy. w/ 22870
22870	OEM: 382407	Forward Gear Bearing
27741	OEM: 324037	Lever
21135	OEM: 313448	Pin
27721	OEM: 910310	Detent
27710	OEM: 322941	Shaft
27730	OEM: 982422	Cradle

Shaft & Bearing Housing Kit & Components - OMC Stringer V6 & V8 w/ Mechanical Shift (1978-1985)



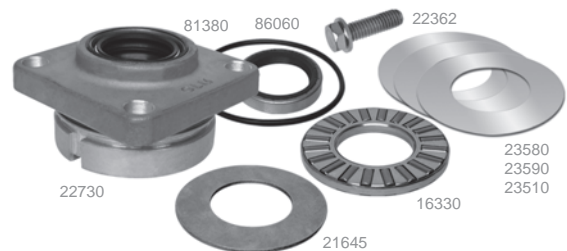
28480	OEM: N/A	Shaft & Bearing Housing Kit
27700	OEM: 389455	Housing & Bearing Assy. w/ 22910
22910	OEM: 389039	Forward Gear Bearing
27740	OEM: 322938	Lever
21137	OEM: 328825	Pin
27710	OEM: 322941	Shaft
27730	OEM: 982422	Cradle

Shift Parts - OMC Stringer (1973-1985)



34690	OEM: 909604	Gasket, Shift Housing Cover
33960	OEM: 911878	Shift Housing
27870	OEM: 910311	Rack
27880	OEM: 910539	Pin
22145	OEM: 306376	Cotter Pin
27890	OEM: 910309	Shift Rod - V6 & V8

Lower Gear Housing Bearing Housing & Component OMC Stringer (1973-1985)



86060	OEM: 321467	Oil Seal (Need 2)
22362	OEM: 317624	Screw
22730	OEM: 982422	Bearing Housing & Seal
81380	OEM: 314728	O-ring
23590	OEM: 323362	Shim 0.003" - Bearing Housing
23580	OEM: 323361	Shim 0.004" - Bearing Housing
23510	OEM: 314745	Shim 0.005" - Bearing Housing
21645	OEM: 327656	Thrust Washer
16330	OEM: 387656	Thrust Bearing

TOC
Manifolds-Merc.
Manifolds-OMC
Manifolds-Volvo
Manifolds-Barr
MerCruiser
Merc / Mar / For
OMC / Volvo
Johnson / Evin
Yamaha
Index / X-Ref.
Warranty

TOC

Manifolds-Merc.

Manifolds-OMC

Manifolds-Volvo

Manifolds-Bar

MercCruiser

Merc / Mar / For

OMC / Volvo

Johnson / Evin

Yamaha

Index / X-Ref.

Warranty

**V6 & V8 Swivel Bearing Retainer & Components
OMC Stringer (1973-1985)**



86040	OEM: 310649	Oil Seal, Swivel Bearing Retainer
86050	OEM: 313353	Oil Seal (2), Swivel Bearing Retainer
27780	OEM: 982439	Swivel Bearing Retainer, V6 & V8
34720	OEM: 910236	Gasket, V6 & V8
33730	OEM: 910338	Gasket, 4-Cyl.

**Electric Shift - Swivel Bearing Retainer & Components
OMC Stringer (1965-1977)**



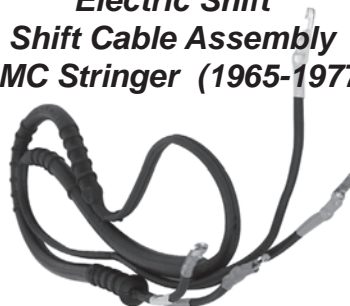
22310	OEM: 907866	Pinion Nut
86040	OEM: 310649	Oil Seal, Swivel Bearing Retainer
86050	OEM: 313353	Oil Seal (2), Swivel Bearing Retainer
27782	OEM: 980014	Swivel Bearing Retainer, Elect. Shift
33010	OEM: 313368	Gasket, Electric Shift

**Electric Shift - Water Tube Grommets & Prop Shaft Oil Seal
OMC Stringer (1965-1977)**



Water Tube Grommets - Electric Shift		
86320	OEM: 310597	4-Cylinder Lower Grommet
86330	OEM: 908594	All Upper Grommet
86340	OEM: 909019	6 & 8-Cylinder Lower Grommet
Prop Shaft Oil Seal - Electric Shift		
85110	OEM: 310599	Oil Seal (2)

**Electric Shift Shift Cable Assembly
OMC Stringer (1965-1977)**



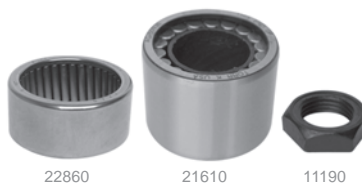
27931 OEM: 379628 Shift Cable Assy. - Electric Shift

**Lower Gear Housing Drive Shafts
OMC Stringer (1978-1985)**



22413 OEM: 982424 Lower Drive Shaft - V6 & V8
OMC Stringer (1978-1985)
Length: 13", Gear Splines: 19

**Lower Gear Housing Drive Shaft Components
OMC Stringer (1978-1985)**



21610	OEM: 387817	Pinion Bearing, V6 & V8
22860	OEM: 379504	Pinion Bearing, 4-Cylinder
11190	OEM: 314730	Pinion Nut

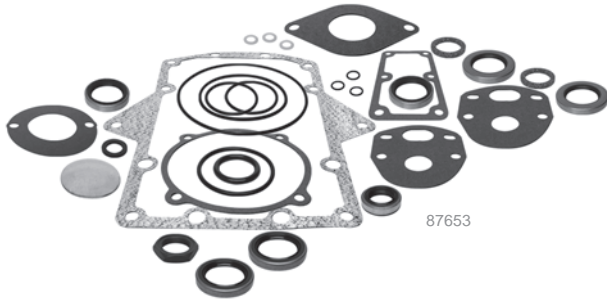
Lower Gear Housing Draining Screw Set



21731	OEM: 22-8M0058389	Screw Set	OMC Stringer
31170	OEM: 12-19183-3	Gasket	OMC Stringer

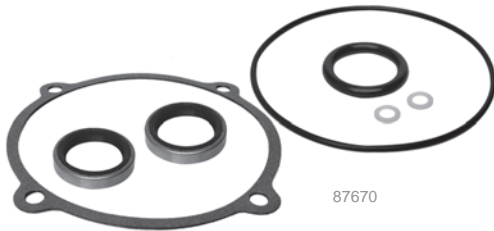
GLM Products, Inc.

Intermediate Gear Housing - Seal Kits OMC Stringer (1973-1985)



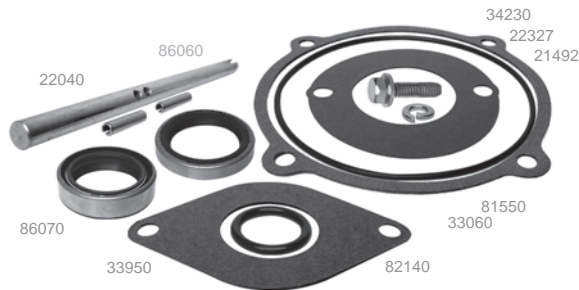
87652	OEM: 981801	For All Models (1973-1977)
87653	OEM: 982948	For All Models (1978-1985)

Intermediate Gear Housing Tilt Housing Seal Kits OMC Stringer (1973-1985)



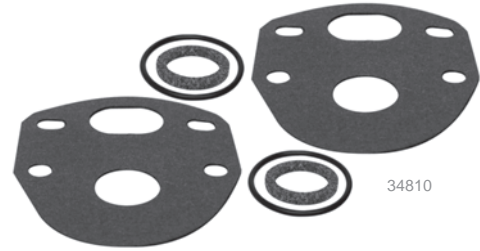
87660	OEM: N/A	Stringer Mount (1979 & Before)
87670	OEM: N/A	Stringer Mount (1981-1985) K & U Suffix Models (1980)

Intermediate Gear Housing Tilt Housing / Motor Components OMC Stringer (1967-1985)



34230	OEM: 311508	Gasket, Tilt Motor (1967-1976)
33950	OEM: 909902	Gasket, Tilt Motor (1980-1985)
33060	OEM: 308799	Gasket, Tilt Clutch Cover
81550	OEM: 908194	O-ring, Tilt Clutch Cover
86070	OEM: 911019	Oil Seal, Tilt Clutch Shaft (1971-1979)
86060	OEM: 321467	Oil Seal, Tilt Clutch Shaft (2) (1980-1985)
22040	OEM: 980183	Tilt Worm Shaft
82140	OEM: 908194	O-ring, Tilt Shaft Cover
22327	OEM: 909386	Screw, Tilt Shaft Cover
21492	OEM: 302290	Lockwasher, Tilt Shaft Cover

Intermediate Gear Housing Drive Installation Kits OMC Stringer (1971-1985)



34820	OEM: N/A	Stringer Mount (1971-1977) Electric Shift
34810	OEM: N/A	Stringer Mount (1978-1985) Mechanical Shift

Intermediate Gear Housing Drive Shaft Assembly Components OMC Stringer (1973-1985)



85010	OEM: 313992	Oil Seal, Shaft Inner (2)
21512	OEM: 3854250	Tapered Roller Bearing, Shaft (2)
86010	OEM: 981195	Oil Seal, Shaft Outer (2)
81440	OEM: 908383	O-ring, Bearing Retainer
22010	OEM: 908063	Ball Gear, Intermediate Housing
22030	OEM: 908062	Ball Gear Cover
22330	OEM: 908064	Ball Gear Nut

Intermediate Gear Housing Ball Gear Kit OMC Stringer (1973-1985)

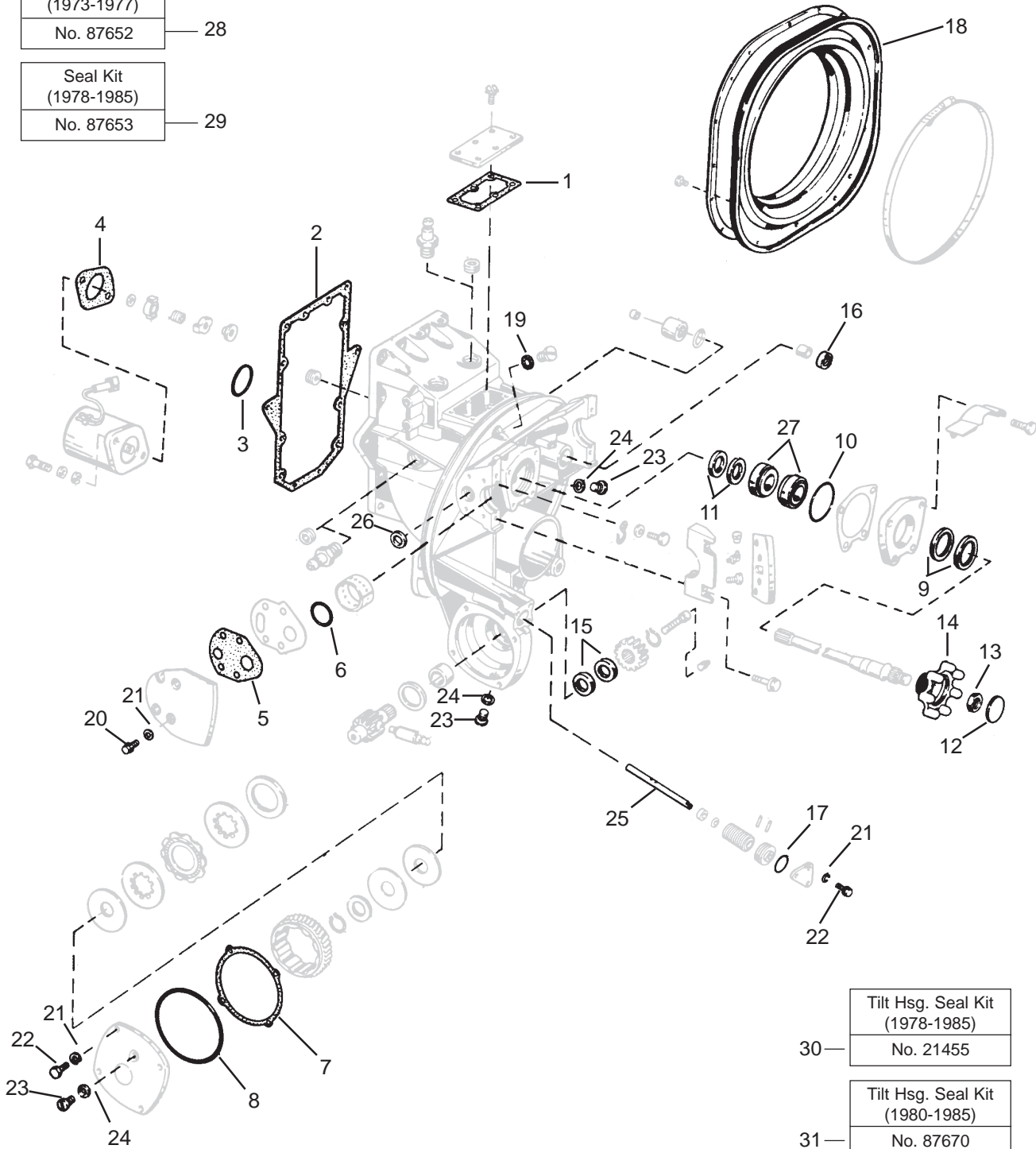


22050	OEM: N/A	Ball Gear Kit (1973-1985) (comes with Ball Gear 22010)
22010	OEM: 908063	Ball Gear, Intermediate Housing

STRINGER - INTERMEDIATE HOUSING (1973-1985)

Seal Kit
(1973-1977)
No. 87652 — 28

Seal Kit
(1978-1985)
No. 87653 — 29



Tilt Hsg. Seal Kit
(1978-1985)
30 — No. 21455

Tilt Hsg. Seal Kit
(1980-1985)
31 — No. 87670

Ball Gear Kit
(1973-1985)
32 — No. 22050

TOC

Manifolds-Merc.

Manifolds-OMC

Manifolds-Volvo

Manifolds-Bar

MerCruiser

Merc / Mar / For

OMC / Volvo

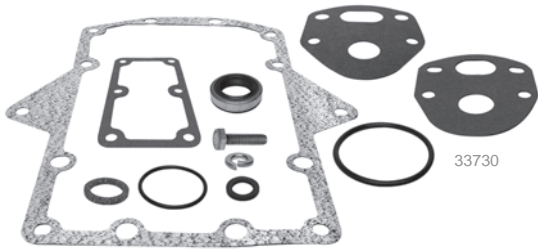
Johnson / Evin

Yamaha

Index / X-Ref.

Warranty

**Intermediate Gear Housing Components
OMC Stringer (1973-1985)**



33470	OEM: 909529	Gasket, Side Cover (1978-1985)
33480	OEM: 316499	Gasket, Side Cover (1971-1977)
34750	OEM: 313244	Cork Seal, Side Cover
81270	OEM: 308626	O-ring, Side Cover
21492	OEM: 302290	Lockwasher, Side Cover
22325	OEM: 909533	Screw, Side Cover
34760	OEM: 313246	Gasket, Oil Reservoir
33900	OEM: 909515	Gasket, Engine Bell Housing
86590	OEM: 908855	Seal, Steering Shaft
33050	OEM: 315189	Gasket (Rubber), Large Drain Plug
82260	OEM: 302337	O-ring, Intermediate Bell Housing

**Intermediate Gear Housing Transom Seals
OMC Stringer (1967-1977) & (1978-1986)**

OMC Stringer (1967-1977) & (1978-1986)



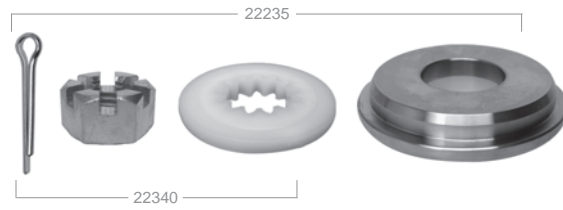
86700	OEM: 313080	Seal, Electric Shift (1967-1977) 16 Screw Holes
86710	OEM: 909527	Seal, Mechanical Shift (1978-1986) 22 Screw Holes

**Intermediate Gear Housing Draining Screw Set (Fill Plug)
OMC Stringer (1973-1985)**



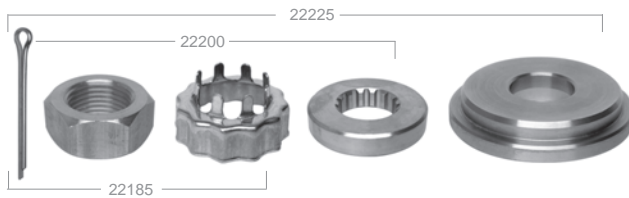
21731	OEM: 318544	Screw Set	OMC Stringer
31170	OEM: 311598	Gasket	OMC Stringer

**Prop Hardware
4-Cyl. (1978-1989) & 2.3L (1990)
Cobra & Stringer**



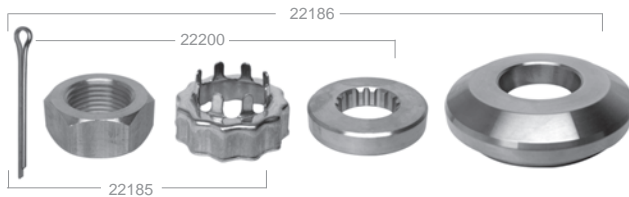
22235	OEM: 5005034	Prop Hardware Kit (All Components)
22340	OEM: 175267	Prop Hardware Kit w/out Thrust Washer
22120	OEM: 314502	Cotter Pin
22150	OEM: 314503	Prop Nut - 5/8 x 11
22250	OEM: 315810	13 Spline Washer
22230	OEM: 127084	5/8 Thick Thrust Washer

**Prop Hardware
4-Cyl. 3.0L (1990) & V6/V8 (1978-1990)
Cobra & Stringer**



22225	OEM: 434153	Prop Hardware Kit (All Components)
22200	OEM: 175266	Prop Hardware Kit w/out Thrust Washer
22185	OEM: 398042	Prop Nut Kit - 3/4 x 16
22142	OEM: 3852056	Cotter Pin
22190	OEM: 320570	15 Spline Washer
22220	OEM: 333592	Thrust Washer - 9/16

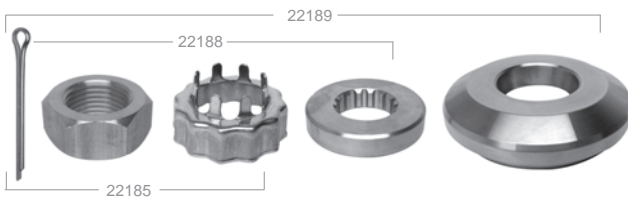
**Prop Hardware
All (1991-1993)
Cobra & Stringer**



22186	OEM: N/A	Prop Hardware Kit (All Components)
22200	OEM: 175266	Prop Hardware Kit w/out Thrust Washer
22185	OEM: 398042	Prop Nut Kit - 3/4 x 16
22142	OEM: 3852056	Cotter Pin
22190	OEM: 320570	15 Spline Washer
22221	OEM: 3852020	Thrust Washer - 9/16

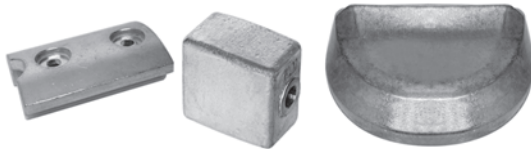
GLM Products, Inc.

Prop Hardware All (1994-1998) Cobra & Stringer



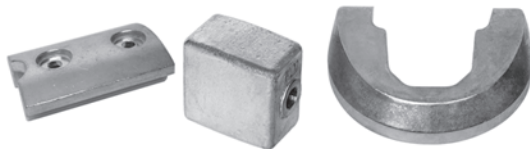
22189	OEM: N/A	Prop Hardware Kit (All Components)
22188	OEM: N/A	Prop Hardware Kit w/out Thrust Washer
22185	OEM: 398042	Prop Nut Kit - 3/4 x 16
22142	OEM: 3852056	Cotter Pin
22252	OEM: 3852350	19 Spline Washer
22221	OEM: 3852020	Thrust Washer - 9/16

Aluminum Anode Kit - Gear Housing Cobra (1986-1993)



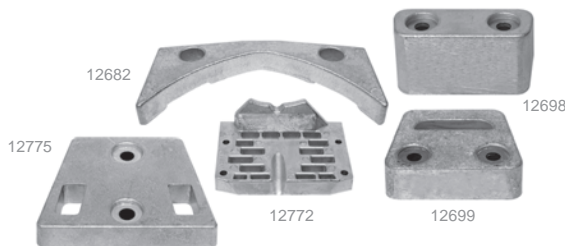
12893 OEM: N/A Cobra (1986-1993), (12774, 12776 & 12737)

Aluminum Anode Kit - Gear Housing Stringer (1978-1985)



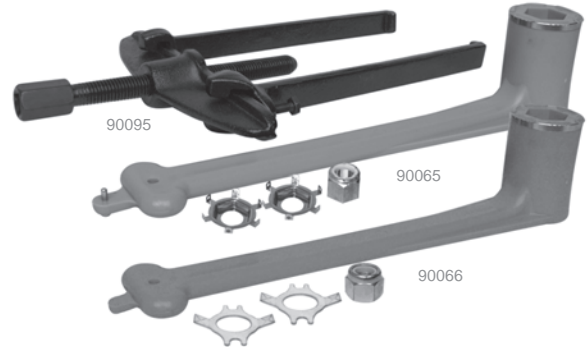
12892 OEM: N/A Stringer (1978-1985), (12773, 12776 & 12737)

Aluminum Anodes Upper Gear Housing & Transom Cobra & Stringer



12682	OEM: 3854061	Upper Hsg. - King Cobra (1990-1995)
12699	OEM: 3854130	Transom - Cobra (1994-1998)
12698	OEM: 3853930	Transom - Cobra (1990-1993)
12775	OEM: 984547	Transom - Cobra (1986-1989)
12772	OEM: 982438	Transom - Stringer (1975-1985)

Prop Tools Cobra & Stringer



Prop & Bearing Puller

90095	OEM: N/A	For All Style Bearing Carrier & Most Prop. (Capacity: 5 ton min.)
--------------	----------	---

Prop Wrench Kits

90065	OEM: 91-821887A1	Prop Wrench Kit: 1-1/16", Color: Blue With Built In Tab Bender
90066	OEM: 91-856639A1	Prop Wrench Kit: 15/16", Color: Red

Prop Wrenches

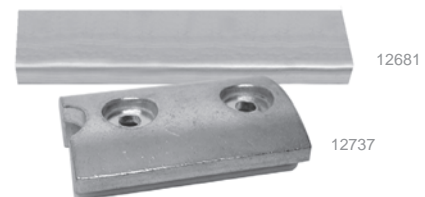
90061	OEM: 91-859046M4	Prop Wrench: 1-1/16", Color: Blue With Built In Tab Bender
90062	OEM: 91-859046M3	Prop Wrench: 5/16", Color: Red
90063	OEM: 91-859046M2	Prop Wrench: 13/16", Color: Yellow
90064	OEM: 91-859046M1	Prop Wrench: 9/16", Color: Purple

Aluminum Anodes - Lower Gear Housing Cobra (1986-1995) & Stringer (1982-1985)



12773	OEM: 983494	Cobra (1986), Stringer (1984-1985)
12776	OEM: 436745	Cobra, except 460 (1986-1993), Stringer (1982-1985)
12774	OEM: 3853818	Cobra (1987-1994)
12683	OEM: 397768	Cobra 460 (1987-1989)

Aluminum Anodes - Prop Shaft Carrier Cobra (1986-1998) & King Cobra (1990-1995)



12737	OEM: 431708	Cobra (1986-1993)
12681	OEM: 3852970	Cobra (1994-1998), King (1990-1995)

TOC

Manifolds-Merc.

Manifolds-OMC

Manifolds-Volvo

Manifolds-Bar

MerCruiser

Merc / Mar / For

OMC / Volvo

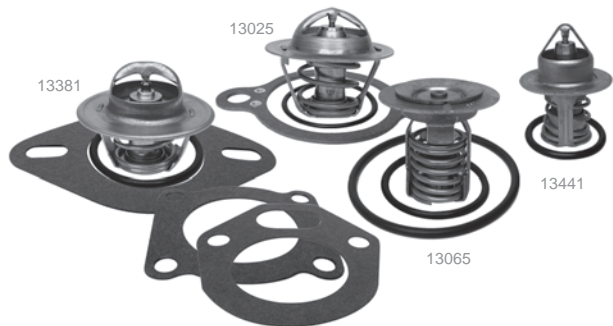
Johnson / Evin

Yamaha

Index / X-Ref.

Warranty

**Thermostat Kits - 140°, 150° & 160°
OMC & Volvo Penta**



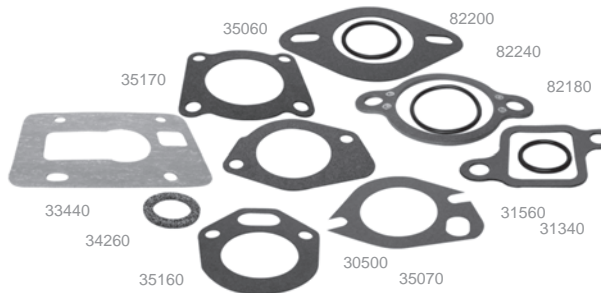
140° Thermostat Kits			
13028	OEM: N/A	140°	7.4-8.1L T.stat, Gasket & O-ring
13381	OEM: 876305 OEM: 875794	140°	(1993 & Before) T.stat, Gaskets & O-ring
150° Thermostat Kits			
13025	OEM: N/A	150°	4.3, 5.0 & 5.7L T.stat, Gasket & O-ring
160° Thermostat Kits			
13440	OEM: N/A	160°	All OMC & Volvo 4-Cyl. GM (1980 & Up) T.stat & Gaskets
13441	OEM: N/A	160°	T.stat & O-ring
13430	OEM: N/A	160°	All OMC (1993 & Below) except 4-Cyl. GM (1980 & Up) T.stat, Gaskets & O-ring
13065	OEM: N/A	160°	T.stat & O-rings
13431	OEM: N/A	160°	All OMC & Volvo (1994 & Up) except 4-Cyl. GM T.stat, Gasket & O-ring
13045	OEM: N/A	160°	T.stat & Gasket

**Thermostats - 140°, 150° & 160°
OMC & Volvo Penta**



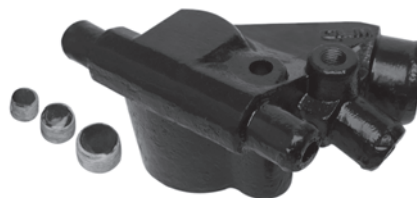
13020	OEM: 3853983	140°	Thermostat
13030	OEM: 876305	140°	Thermostat
13022	OEM: 3587597	150°	Thermostat
13070	OEM: 3853799	160°	Thermostat
13060	OEM: 383307	160°	Thermostat
13041	OEM: 3831426	160°	Thermostat

**Thermostat Gaskets & O-rings
OMC & Volvo Penta**



33440	OEM: 314809, 3852127	L4 & L6 Inline Chevy
34260	OEM: 313416, 3852120	L4 & L6 Inline Chevy
35160	OEM: 835581	OMC & Volvo Penta
35170	OEM: 856004	OMC & Volvo Penta
30500	OEM: 27-54505	T.stat Housing to Intake Manifold Ford 302/351
35070	OEM: 835645	T.stat Housing to Intake Manifold Ford 302/351
35060	OEM: 835417,	T.stat Housing to Intake Manifold 312797, 3701777GM
31560	OEM: 3852111	T.stat Housing to Intake Manifold With Brass Rivets
31340	OEM: 311069,	T.stat Housing to Cylinder Head 3789161GM L4 & L6 Inline Chevy
82180	OEM: 3856537	O-ring
82200	OEM: 3852071, 307239	O-ring
82240	OEM: 983944, 302588	O-ring

**Thermostat Housing
OMC & Volvo Penta**



22600	OEM: 986292, 987716, 3850360	V6 & V8 GM (1979 & Up)
--------------	---------------------------------	------------------------

**Water Heater / Cabin Heater Fitting Kit
OMC & Volvo Penta**



22601	OEM: 3856265	4.3L, 4.3HO, 5.0L, 5.0L EFI, 5.0HO, 5.7L, 5.7LE, 5.8L, 5.8L EFI, 5.8L King EFI, Model 350, 351, 351 King EFI, 454, 454HO, 502 OMC King Cobra
--------------	--------------	---

GLM Products, Inc.

Recirculating Water Pumps OMC & Volvo Penta



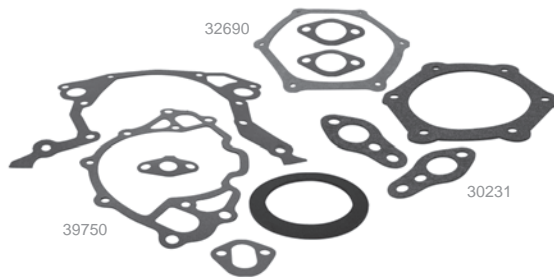
BRAND NEW!

GLM Recirculating Water Pumps Include:

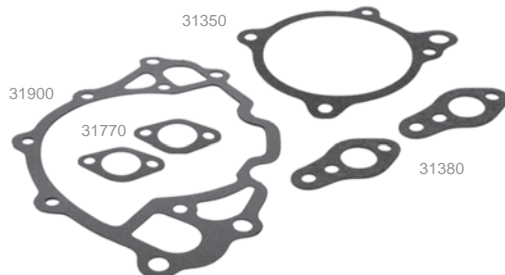
- Machined Brass Impeller
- Bi-Directional & Balanced
- Stainless Steel Seal Cup & Spring
- Stainless Steel Backing Plate
- Epoxy Painted Pump Housing
- Stainless Banded Ceramic Seal Seat

15100	OEM: 986779	Inline 4 & 6-Cyl. Chevy (153 - 2.5L / 181 - 3.0L / 250 - 4.0L)
15201	OEM: 3853850	V6 & V8 S.B. Chevy New Style! (229 - 3.8L / 262 - 4.3L / 305 - 5.0L / 350 - 5.7L) Fits Both Metal & Composite Timing Chain Cover
15301	OEM: 3855991	V8 B.B. Chevy New Style! (454 - 7.4L / 502 - 8.2L) Fits Both Metal & Composite Timing Chain Cover

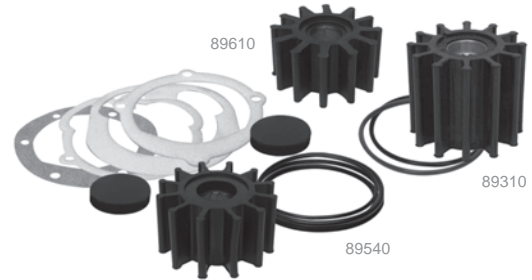
Recirculating Water Pump Gaskets OMC & Volvo Penta



Gasket Kits		
39750	OEM: N/A	302/351 CID, Ford
30231	OEM: N/A	For 15201, V6 305/350 Chevy
32690	OEM: N/A	For 15301, V8 454/502 Chevy
Gaskets (solo)		
31900	OEM: N/A	Ford 302/351
31350	OEM: N/A	For 15100, 4/6-Cyl. Inline Chevy
31380	OEM: N/A	For 15201, V6 305/350 Chevy
31770	OEM: N/A	For 15301, V8 454/502 Chevy



Sea Water Pump - Impeller Kits Cobra SX (1994 & Up)



89540	OEM: 875811, 3862281, 3862567	Impeller Kit (Gaskets, O-rings & Plugs)
89310	OEM: 21213664	Impeller - 2" (w/ O-rings)
89610	OEM: 835512, 3854286	Impeller - 1-1/4"

Sea Water Pump Kits & Components Cobra (1986-1993)



12092	OEM: N/A	Complete Water Pump Kit
12091	OEM: 984461	Water Pump Service Kit w/o Hsg.

Sea Water Pump Components

22385	OEM: 912238	Screw
47010	OEM: 912614	Vent Hose, Water Pump Adapter
12405	OEM: 984744	Water Pump Housing
86630	OEM: 911704	Seal
12391	OEM: 911844	Water Pump Liner
89950	OEM: 777128	Impeller
12760	OEM: 911703	Wear Plate
34770	OEM: 911702	Gasket

Water Pump Adapter & Components Cobra (1986-1993)



27900	OEM: 911699	Water Pump Adapter
86610	OEM: 916058	Oil Seal
81280	OEM: 909316	O-ring
82430	OEM: 911700	O-ring
34771	OEM: 911698	Gasket

TOC

Manifolds-Merc.

Manifolds-OMC

Manifolds-Volvo

Manifolds-Bar

MerCruiser

Merc / Mar / For

OMC / Volvo

Johnson / Evin

Yamaha

Index / X-Ref.

Warranty

**Sea Water Pump Kits & Components
Stringer (1985 & Below)**



- 12190** OEM: 983218 Complete Water Pump Kit 100-260 HP (1962-1985)
- 12191** OEM: N/A Impeller Repair Kit w/o Hsg. 100-260 HP (1962-1985)

Sea Water Pump Components

- 86100** OEM: 907774 Drive Shaft Seal
- 12390** OEM: 983298 Water Pump Housing
- 82520** OEM: 308928 O-ring, Water Pump
- 89760** OEM: 777130 Impeller
- 12590** OEM: 313176 Water Pump Plate
- 22410** OEM: 909753 Low Profile Shaft (1973-1985)
- 89595** OEM: 308928 Key
- 80220** OEM: 314491 O-ring

Sea Water Pump & Impeller Kits - Volvo AQ



Gasoline Engines

- 15120** OEM: 857451 Sea Water Pump Assy. - Volvo AQ
- 89623** OEM: 21951348 Impeller Kit (w/ Gasket) for No. 15120
- 89620** OEM: N/A Impeller Kit (includes 89610)
- 89610** OEM: 835512, 3854286 Impeller
- 89621** OEM: N/A Impeller Kit (includes 89611)
- 89611** OEM: 835874 Impeller
- 89520** OEM: 875808 Impeller Kit (Gaskets & Key)
Jabsco: 673-0001 / Johnson: 09-1026B
- 89530** OEM: 875575 Impeller Kit (Gaskets & Key)
Jabsco: 4568-0001 / Johnson: 09-801B
- 89310** OEM: 21213664 Impeller - 2" (w/ O-rings)
- 89540** OEM: 875811, 3862281, 3862567 Impeller Kit (Gaskets, O-rings & Plugs)
Jabsco: 1210-0001 / Johnson: 09-1027B

Diesel Engines

- 89510** OEM: 875807 Impeller (w/ Gasket)
Jabsco: 863-0001 / Johnson: 09-806B

Sea Water Pump & Impeller Kits continued...

- 89513** OEM: 875583 Impeller (w/ Gasket)
- 89550** OEM: 875593 Impeller Kit (Gasket, O-ring & Plugs)
Jabsco: 920-0001 / Johnson: 09-1028B
- 89560** OEM: 875660 Impeller Kit (Gaskets & Plugs)
Jabsco: 863-0001 / Johnson: 09-1029B

Sea Water Pump Drives - Volvo AQ



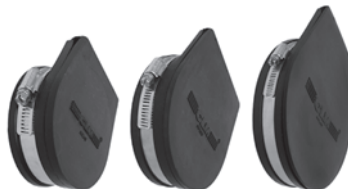
- 12850** OEM: 831009, 806256 AQ120, 120B, 125, 130, 131, 140A, 145, 151, 165, 170, 171, 230A, 250A, 251A, MD3B, 17C, D; MD 21A, MD 21B
- 12851** OEM: 829433 MD 30A, MD 40A (for Pumps w/ 6 cvr screws)
- 12852** OEM: 858467 MD 31, MD 41

**Exhaust Bellows / Hoses
OMC & Volvo Penta**



- Upper Hose **89227** OEM: 834751 V6 AQ 175, 205, 430A/B, 432 & 434 (1993 & Before), 5.0/5.7L 305/350 V8 (1993 & Before)
- Upper Hose **89224** OEM: 3852696 4.3L (1991), 5.0/5.8 Ford (1991), 5.7LE (1990-91), 7.5L 460 (1988-1989), All Cone Clutch (1990-91)
- Upper Hose **89220** OEM: 912374 5.0/5.8L Ford (1989-90), 5.7L (1986 late models), 5.7L (1987-88), 7.5L 460 (1987)
- Lower Hose **89222** OEM: 3852741 2.5 (1986), 3.0 (1986-91), 2.3 (1989-90), 4.3 (1990-91) 5.0/5.8 Ford (1991), 5.7 (1986 early models)
- Lower Hose **89230** OEM: 3852742 2.3 (1987-88), 4.3 (1987-89), 5.0/5.8 Ford (1989-90), 5.7 (1986 late models), 5.7 (1987-91), All Cone Clutch (1990-91), 350/454/454HO/460 King 5.7LE (1990-91)

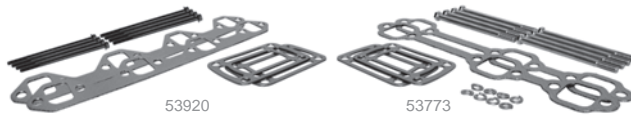
**Exhaust Flapper Valves
OMC & Volvo Penta**



- 3" **89240** OEM: 34765A1 3 inch Flapper w/ Clamp
- 4" **89250** OEM: 12644A1 4 inch Flapper w/ Clamp
- 5" / 6" **89260** OEM: N/A 5 / 6 inch Flapper w/ Clamp

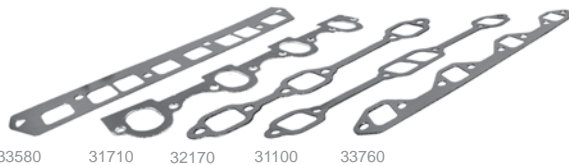
GLM Products, Inc.

Exhaust Manifold Gasket & Gasket-Hardware Kits OMC & Volvo Penta



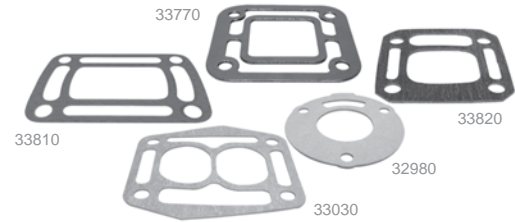
With Hardware	Without Hardware	
-	39776 N/A	Ford 2.3L (4-Cyl.) OMC (1987-90)
-	39780 N/A	GM 2.5L, 153 CID (4-Cyl.) 100/120HP OMC (1965-85)
-	39770 N/A	GM 2.5/3.0L, 153/181 CID (4-Cyl.) 120/140 HP, OMC (1985-90) w/ 33570
-	39790 N/A	GM 3.0L, 181 CID, 140HP (4-Cyl.) OMC (1973-84) w/ 31570
53772 N/A	39771 N/A	GM 181 CID (4-Cyl.) OMC (1990-98), Volvo (1993 & Up)
53773 N/A	39773 N/A	GM V6 262 CID (4.3L) OMC (1991-98), Volvo (1992 & Up)
53640 N/A	39774 N/A	GM V6 4.3L/262 CID Volvo (1991 & Before)
53775 N/A	39775 N/A	GM V8 5.0/5.7L 305/350 CID Volvo (1993 & Before)
53910 N/A	39910 N/A	GM V8 5.0/5.7L, 305/350 CID OMC (1977-98), Volvo (1994 & Up)
53911 N/A	39910 N/A	GM V8 Small Block (53911 for Center Rise Manifold)
53920 N/A	39920 N/A	Ford V8 5.0/5.8L, 302/351 CID OMC (1977-96), Volvo (1993 & Up) (53920 for Carb.)
53921 N/A	39920 N/A	Ford V8 5.0/5.8L, 302/351 CID OMC (1977-96), Volvo (1993 & Up) (53921 for EFI)
53940 N/A	39940 N/A	GM V8 7.4/8.2L, 454/502 CID OMC & Volvo (1990 & Up)

Exhaust Manifold Gaskets OMC & Volvo Penta



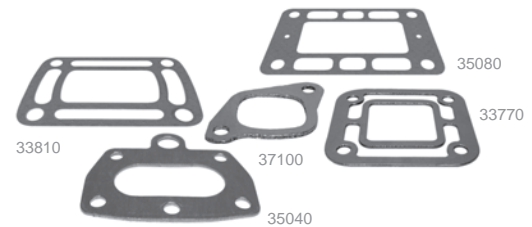
33780	OEM: 913393	Ford 4-Cyl., 2.3L, 140
31550	OEM: 311068	Chevy 4-Cyl., 2.5L, 153 CID, 120
33570	OEM: 912164 lrg port	Chevy 4-Cyl., 2.5/3.0L, 153/181
31570	OEM: 908079 lrg port	Chevy 4-Cyl., 3.0L, 181 CID, 140
33580	OEM: 3853256 small	Chevy 4-Cyl., 3.0L, 181 CID, OMC & Volvo 3.0HO (1991 & Up)
31440	OEM: 907932	Chevy Inline L6, 250 CID, 165 HP
32170	OEM: 856116, 3853412	Chevy V6, 3.8/4.3L, 229/262 CID
31100	OEM: 856034, 3852468	Chevy 5.0/5.7L, 305/350 CID
33790	OEM: 3852455	Ford 5.0/5.8L, 302/351 CID
31101	OEM: CHV-47-0000	Chevy 305/350 CID (Barr Style)
33760	OEM: 3852472	Chevy V8, 7.4L, 454 CID
31710	OEM: 912405	Ford 7.5L, 460 CID

Exhaust Elbow Gaskets - OMC



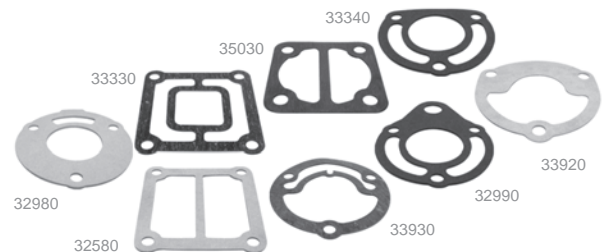
33810	OEM: 3850496	V6 & V8 (1977-1998)
33820	OEM: 910113	V6, 3.8L
33030	OEM: 912477	4-Cyl., 2.3L
33770	OEM: 3850495	2.5/3.0L, 153/181 CID, 120/140 HP
32980	OEM: 908935	Exhaust Elbow & Front End Cap

Exhaust Elbow Gaskets - Volvo Penta



35080	OEM: 857618	AQ V6 & V8 (1993 & Before)
33810	OEM: 909786, 3850496	V6 & V8 Cobra SX (1994 & Up)
33770	OEM: 3850495	Chevy 3.0L, 181 CID
37100	OEM: 855967	4-Cyl., SOHC Engines, AQ120, 125, 131, 140, 145, 151, 230 & 250 Manifold to Engine Gaskets (4)
35040	OEM: 831480	Inline L6, AQ165 & 170 Rear Exhaust Outlet Gasket

End Cap Gaskets OMC & Volvo Penta



33330	OEM: 311121	2.5/3.0L, 153/181 CID, 120/140 HP Front End Cap
32580	OEM: 907761	2.5/3.0L, 153/181 CID, 120/140 HP Rear End Cap
32980	OEM: 908935	Front End Cap & Exhaust Elbow
33340	OEM: 311130	Front End Cap
32990	OEM: 907775	Manifold End Cap
33920	OEM: 311552	Manifold End Cap
33930	OEM: 907764	Manifold End Cap
35030	OEM: 856036	(Volvo) Inline L6, AQ165 & 170 Manifold End Cap

GLM Products, Inc.

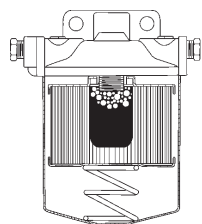
Eliminate Fuel Starvation with GLM's Low Pick-up Water/Fuel Separator Mounting Bracket

Engine compartment temperatures can soar on hot summer days creating high gasoline temperatures. High temps and agitation caused by rough seas can aerate the gasoline in the water/fuel separator filter turning it into foam. A fuel pump can't pull aerated gasoline from the water/fuel separator and deliver it to the carburetor or fuel rail efficiently. The engine will show signs of gasoline starvation (lean) at high speeds, a situation very similar to vapor lock.

Because this aerated gasoline rises to the top of the water/fuel separating filter, GLM has introduced a filter mounting bracket with a fuel pick-up extending deeper into the filter. Through extensive research and testing the GLM engineers have found the optimum location for the fuel pick-up. The deeper location is low enough to be free of aerated gasoline but high enough to be free of the water in the bottom of the separator.

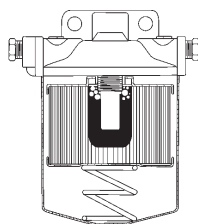
The deeper fuel pickup is only found on the new GLM water/fuel separator mounting bracket kits. It might solve some of those mysterious fuel delivery problems your engine may be experiencing!

Conventional Fuel Filter



Air molecules rise to top and into the fuel system.

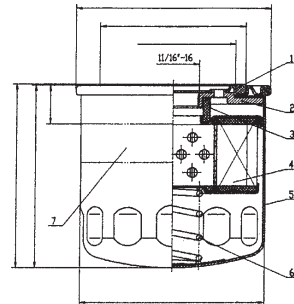
GLM's Fuel Filter



Our design prevents air from entering the fuel system.

GLM Fuel Filter Features

- 28 or 10 micron filter paper shaped into 70 pleats total 327 sq. in. filtration. The largest filtering capability in the aftermarket. (4)
- BWG #11 heavy duty spring (6).
- Gasoline resistant rubber seals (1) (3).
- Oxidizing treatment inside powder coated outside for corrosion protection (5).
- Minimum 196N.m. torque strength between adapt plate and canister (2).
- Will not separate 2 cycle oil from gasoline!



Water Separating Fuel Filter Kits



All kits come with 2 brass plugs & 2 extension tubes.

w/ Translucent Red Stainless Steel Bracket

24960	(24940+25011)	28 Micron
	Flow: 50 GPH	ø1/4" NPTF Ports
24962	(24940+25031)	28 Micron
	Flow: 75 GPH	ø3/8" NPTF Ports

w/ SUS 316 Stainless Steel Bracket

24956	(24950+25010)	28 Micron
	Flow: 50 GPH	ø1/4" NPTF Ports
24958	(24940+25030)	28 Micron
	Flow: 75 GPH	ø3/8" NPTF Ports
24957	(24942+25010)	10 Micron
	Flow: 50 GPH	ø1/4" NPTF Ports
24959	(24942+25030)	10 Micron
	Flow: 75 GPH	ø3/8" NPTF Ports

w/ Die Cast Aluminum Bracket

24950	(24940+25000)	28 Micron
	Flow: 50 GPH	ø1/4" NPTF Ports
24953	(24940+25020)	28 Micron
	Flow: 75 GPH	ø3/8" NPTF Ports
24952	(24942+25000)	10 Micron
	Flow: 50 GPH	ø1/4" NPTF Ports
24954	(24942+25020)	10 Micron
	Flow: 75 GPH	ø3/8" NPTF Ports

Water Separating Fuel Filters



24942	OEM: N/A	10 Micron (4-7/16" H)
24940	OEM: N/A	28 Micron (4-7/16" H)
24941	OEM: N/A	28 Micron (3-3/4" H)
24930	OEM: 502905(OMC)	28 Micron (4-7/16" H)

Water Separating Fuel Filter Brackets



All brackets come with 2 brass plugs & 2 extension tubes.

Translucent Red Stainless Steel Brackets

25011	(2 inputs & 2 outputs)	ø1/4" NPTF Ports
25031	(2 inputs & 2 outputs)	ø3/8" NPTF Ports

SUS 316 Stainless Steel Brackets

25010	(2 inputs & 2 outputs)	ø1/4" NPTF Ports
25030	(2 inputs & 2 outputs)	ø3/8" NPTF Ports

Die Cast Aluminum Brackets

25000	(2 inputs & 2 outputs)	ø1/4" NPTF Ports
25020	(2 inputs & 2 outputs)	ø3/8" NPTF Ports



TOC
Manifolds-Merc.
Manifolds-OMC
Manifolds-Volvo
Manifolds-Bar
MerCruiser
Merc / Mar / For
OMC / Volvo
Johnson / Evin
Yamaha
Index / X-Ref.
Warranty

GLM Products, Inc.

Carb & Fuel Pump - Fuel Filter Kits OMC & Volvo Penta



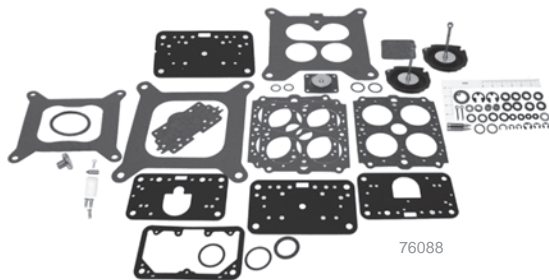
24841	OEM: 908034	Carb. Fuel Filter Kit
24980	OEM: 983870	Carb. Fuel Filter Kit
24970	OEM: 984491	Carb. Fuel Filter Kit
24850	OEM: 509263	Fuel Pump Fuel Filter Kit
24900	OEM: 981920	Water/Fuel Separator - Cannister Style Kit
24901	OEM: 981911	Water/Fuel Separator - Cannister Only
24910	OEM: 982230	Water/Fuel Separator - Cannister Style Fuel Filter

One Barrell Carburetor Kits Volvo Engine & Carter



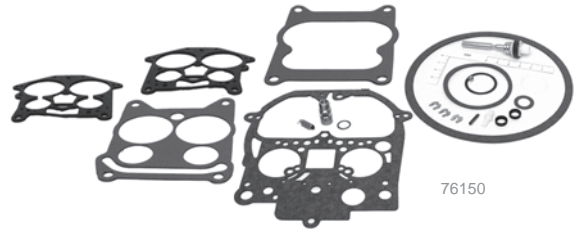
76082	OEM: 979719	Carter 1-Barrel
76101	OEM: 841836, 841292	Solex AQ115AB, 125AB, 130CD, AQ131 ABCD, 145AB, AQ151ABC, 171AC, BB115BC, 145A
76102	OEM: 841293	AQ120B, 140A, BB1240A
76103	OEM: N/A	AQ80
76108	OEM: 875407	AQ120, AQ130AB, BB115A

Holley Carburetor Kits OMC & Volvo Penta



76081	OEM: 982538	2-Barrel
76096	OEM: 982539	4-Barrel, 351 Ford (1975-1977)
76088	OEM: 985052	4-Barrel, 302, 351,460 (1978-1998)
76104	OEM: N/A	4-Barrel, 740A/M55A

Rochester Carburetor Kits OMC & Volvo Penta



76111	OEM: 380186	1-Barrel
76068	OEM: 982384	2-Barrel
76120	OEM: 984487, Volvo 841994	2-Barrel
76150	OEM: 983864, Volvo 834985	4-Barrel (1977-1989)

Carburetor Mounting Gaskets OMC & Volvo Penta



1-Barrel		
32970	OEM: 311555	Roch. Carb., For Dual Carb Apps.
2-Barrel		
30580	OEM: N/A	Holley Carb.
31660	OEM: N/A	Rochester Carb.
32140	OEM: N/A	Holley Carb.
32180	OEM: N/A	Rochester Carb.
31740	OEM: 909758	Roch. Carb. 1/4" Thick
34700	OEM: 315055	Rochester Carb., 3.0L
30382	OEM: 3853283	Holley Carb., 3.0L, 3.0HO, 3.0GS
4-Barrel		
30381	OEM: 908765	Roch. Carb. 1/4" Thick
30361	OEM: N/A	Holley Carb.
32130	OEM: N/A	Holley Carb.
31540	OEM: N/A	Rochester Carb.
30380	OEM: N/A	Rochester Carb.

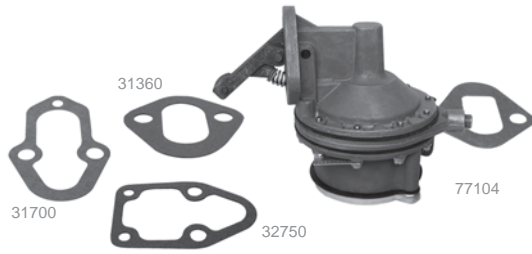
Brass Floats & Inlet Needle/Seat OMC & Volvo Penta



77200	OEM: 841634	Rochester 2-Barrel
77220	OEM: N/A	Roch. 4-Barrel, V8 305/307/350/454CID
77230	OEM: N/A	Roch. 2-Barrel, AQ175A, 200DF, 500A
77210	OEM: 1397-2610	Rochester, 1-Barrel
40760	OEM: N/A	Inlet Needle & Seat - Quadrajct

TOC
Manifolds-Merc.
Manifolds-OMC
Manifolds-Volvo
Manifolds-Barr
MerCruiser
Merc / Mar / For
OMC / Volvo
Johnson / Evin
Yamaha
Index / X-Ref.
Warranty

Fuel Pump & Fuel Pump Gaskets - Chevy



Fuel Pump			
77104	OEM: 986357	1990	V8, 7.4/8.2L, 454/502 CID
Gaskets			
31700	OEM: 27-42457		V6
31360	OEM: 3705042		V8
32750	OEM: 27-34898		V8, 305/350

Fuel Pump Gasket - Ford



31800 OEM: 27-72805 V8



CARBURETOR FUEL FILTER APPLICATION

Model	Year(s)	GLM No.	Model	Year(s)	GLM No.
2.3L	1987	24970	4.3L, 262 C.I., V6 Rochester 2-barrel	1985	24970
2.3L, 4-Cyl. Ford, Holley 2-barrel	1987-1991	24970	4.3L, 262 C.I., V6 Rochester 4-barrel	1985-1989	24980
120 HP, 140 HP	1973-1981	24841	5.0L, 307 C.I., V8 Rochester 2-barrel	1975-1976	24970
2.5L, 153 C.I., 120 HP Rochester 2-barrel	1972-1986	24840	5.0L, 307 C.I., V8 Rochester 4-barrel	1975-1976	24980
3.0L, 181 C.I., 140 HP Rochester 2-barrel	1973-1990	24840	5.0L, 305 C.I., V8 Rochester 2-barrel	1978-1985	24970
3.0L, 181 C.I., 4-Cyl. Chevy, Holley 2-barrel	1991-1998	24970	5.7L, 350 C.I., V8 Rochester 4-barrel	1978-1989	24980
165 HP, Inline 6-Cyl., Rochester 2-barrel	1972-1976	24840	V8 Chevy with Holley 4-barrel	1990-1998	24970
3.8L, 229 C.I., V6 Rochester 2-barrel	1982-1985	24970	V8 Ford with Holley 4-barrel	1990-1996	24970
3.8L, 229 C.I., V6 Rochester 4-barrel	1982-1983	24980			

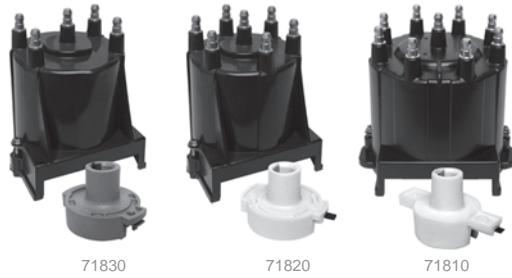
CARBURETOR KIT APPLICATION

Model	Year(s)	Code	Carb Model	Carb Kit	Float	Model	Year(s)	Code	Carb Model	Carb Kit	Float
80	1968-1969	R2	2GC	76068	77200	250	1970-1974	R4	4MV	76160	77220
90	1970-1971	R2	2GC	76068	77200	250	1979	H4	-	76088	-
100	1972-1973	C1	RBS	76082	-	260	1975-1976	R4	4MV	76160	77220
110	1964	R1	BC	76111	77210	260	1979-1989	R4	4MV	76150	77220
120	1965-1971	C1	RBS	76082	-	290 Jet	1974-1975	R4	4MV	76160	77220
	(Duel Carb)					2.3L	1987-1989	R2	2GE	76120	77220
120	1972-1985	R2	2GC	76075	77200	2.5L	1982-1985	R2	2GC	76075	77220
140	1973-1985	R2	2GC	76068	77200	2.5L	1986-1990	R2	2GE	76120	77220
150	1964-1965	R1	BC	76111	77210	2.5L	1986	R2	2GC	76068	77220
155	1967-1972	R2	2GC	76075	-	3.0L	1982-1990	R2	2GC	76068	77220
165	1972-1976	R2	2GC	76068	77200	3.8L	1979-1985	R2	2GE	76120	77220
170	1974	H2	2300	76081	-	4.3L	1986-1989	R2	2GE	76120	77220
175	1975-1977	H2	2300	76081	-	4.3L	1979-1989	R4	4MV	76150	77220
185	1978-1981	R2	2GE	76120	77200	4.3/262	1989	R2	2GE	76120	77220
185	1989	H2	2300	76081	-	5.0L (GM)	1979-1985	R2	2GE	76120	77220
190	1974-1977	H2	2300	76081	-	5.0L (GM)	1979-1989	R4	4MV	76150	77220
200	1966-1968	R2	2GC,V	76075	-	5.0L (Ford)	1989	H2	2300	76081	-
200	1979-1985	R2	2GE	76120	77200	5.7L	1979-1989	R4	4MV	76150	77220
200	1989	H2	2300	76081	-	5.8L	1989	H4	-	76088	-
210	1968-1972	R4	4MV	76160	77220	7.5L	1987-1988	H4	-	76088	-
215	1971	R4	4MV	76160	77220	305 C.I.I./B	1977-1979	R2	2GE	76120	77220
225	1972-1976	R4	4MV	76160	77220	305 C.I.I./B	1977-1978	R4	4MV	76150	77220
230	1975-1976	R4	4MV	76160	77220	305 C.I.I./B	1979-1983	R4	4MV	76150	77220
230	1979-1989	R4	4MV	76150	77220	305 C.I.I./B	1979-1983	R4	4MV	76150	77220
235	1975-1977	H4	4160	76096	-	350	1988-1989	R4	4MV	76150	77220
235	1989	H4	-	76088	-	350	1988	R2	2GE	76120	77220
240	1978	H4	-	76088	-	454 C.I.I./B	1977-1978	R4	4MV	76160	77220
245	1972-1975	R4	4MV	76160	77220	460 C.I.	1987-1988	H4	-	76088	-



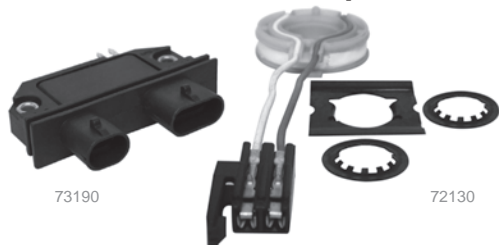
GLM Products, Inc.

Delco EST (Electronic Spark Timing) Cap & Rotor Kit - Components



4-Cyl.		
71830	OEM: N/A	Cap & Rotor Kit
71420	OEM: 3854260	Cap
71120	OEM: 3854261	Rotor
6-Cyl.		
71820	OEM: N/A	Cap & Rotor Kit
71410	OEM: 3854331	Cap
71110	OEM: 3854311	Rotor
71890	OEM: N/A	Flat Cap & Rotor Kit
71650	OEM: 3859019	Flat Cap
71110	OEM: 3858977	Rotor
8-Cyl.		
71810	OEM: N/A	Cap & Rotor Kit
71400	OEM: 3854548	Cap
71100	OEM: 3854549	Rotor
71890	OEM: N/A	Flat Cap & Rotor Kit
71430	OEM: 3858975	Flat Cap
71160	OEM: 3858977	Rotor
71850	OEM: N/A	Cap & Rotor Kit - Ford
71640	OEM: 3854217	Cap - Ford
71140	OEM: 3854218	Rotor - Ford

Late Style Delco EST Ignition Module & Pick-Up Coil Sensor



73190	OEM: 3854003	Ignition Module
72130	OEM: 3854001	Pick-Up Coil Sensor

Late Style Delco EST E-Core Coil



72113	OEM: 3854002	E-core Coil
-------	--------------	-------------

Standard Ignition - Tune-Up Kits



Delco Tune-Up Kits		
71720	OEM: N/A	4-Cyl.
71710	OEM: N/A	Inline 6-Cyl.
72610	OEM: 34235Q1	4 & 6-Cyl. (w/o Cap)
BOSCH Tune-Up Kits		
72600	OEM: N/A	4-Cyl. Volvo (w/o Cap)
72690	OEM: N/A	4-Cyl. Volvo (w/o Cap)
72700	OEM: N/A	4-Cyl. Volvo (w/o Cap)
Prestolite Tune-Up Kits		
71750	OEM: N/A	V6
71730	OEM: N/A	V8
72650	OEM: N/A	V6 & V8 (w/o Cap)
71740	OEM: N/A	V8
71770	OEM: N/A	V8
72660	OEM: N/A	V8 (w/o Cap)
72640	OEM: N/A	V8 (w/o Cap)
Mallory Tune-Up Kits		
71760	OEM: N/A	V8
72620	OEM: 173619	V8 (w/o Cap)
71800	OEM: N/A	Flat Cap - V8
72680	OEM: 172531	Flat Cap - V8 (w/o Cap)

Standard Ignition - Points & Condensers



Points		
70020	OEM: 380538	Delco 4 & 6-Cyl.
70082	OEM: 243799	BOSCH 4-Cyl.
70100	OEM: 1306169	BOSCH 4 & 6-Cyl. (two-piece)
70010	OEM: 980893	Prestolite V6 & V8
70040	OEM: N/A	Prestolite V8
70060	OEM: 382135, 835304-7	Mallory V8
Condensers		
70530	OEM: 380537	Delco 4 & 6-Cyl.
70500	OEM: 841262	BOSCH 4-Cyl.
70610	OEM: 243653	BOSCH 4 & 6-Cyl.
70591	OEM: 241710	BOSCH 4-Cyl.
70510	OEM: 980894, 835704-8	Prestolite V6 & V8
70540	OEM: N/A	Prestolite V8
70580	OEM: 382136, 835308-8	Mallory V8

TOC
Manifolds-Merc.
Manifolds-OMC
Manifolds-Volvo
Manifolds-Barr
MerCruiser
Merc / Mar / For
OMC / Volvo
Johnson / Evin
Yamaha
Index / X-Ref.
Warranty

TOC

Manifolds-Merc.

Manifolds-OMC

Manifolds-Volvo

Manifolds-Bar

MerCruiser

Merc / Mar / For

OMC / Volvo

Johnson / Evin

Yamaha

Index / X-Ref.

Warranty

Standard Ignition - Caps & Rotors



Distributor Caps

71540	OEM: 380541	Delco 4-Cyl.
71530	OEM: 980152	Delco 6-Cyl.
71470	OEM: 243797	BOSCH 4-Cyl.
71480	OEM: 841263	BOSCH 4-Cyl.
71490	OEM: 870690	BOSCH 4-Cyl.
71450	OEM: 241669	BOSCH 6-Cyl. (2-9/16" I.D.)
71460	OEM: 243658	BOSCH 6-Cyl. (3-3/16" I.D.)
71600	OEM: 3853814, 841926-9	Prestolite V6
71560	OEM: 3853815, 841070	Prestolite V8 (Screw-down)
71570	OEM: 982336, 835702-2	Prestolite V8 (Clip-on)
71550	OEM: N/A	Prestolite V8 (Clip-on)
71580	OEM: 382133, 841244-7	Mallory V8 (Flat Cap)
71590	OEM: 982209	Mallory V8 (Standard Cap)

Rotors

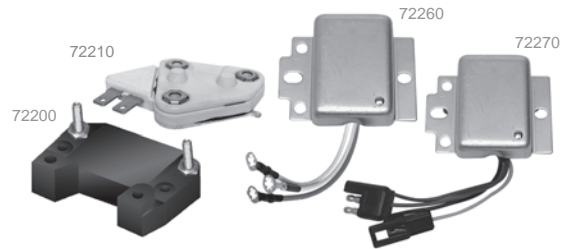
71020	OEM: 384735	Delco 4 & 6-Cyl.
71000	OEM: 243903	BOSCH 4 & 6-Cyl. w/ 2-9/16" I.D.
71060	OEM: 982880, 855845-4	Prestolite V6 & V8
71050	OEM: 980892, 834975-3	Prestolite V8
71030	OEM: N/A	Prestolite V8
71040	OEM: 982211, 834975-5	Mallory V8 (for standard cap)
71090	OEM: 982342, 841243-9	Mallory V8 (for flat cap)

**Ignition Coils
OMC & Volvo Penta**



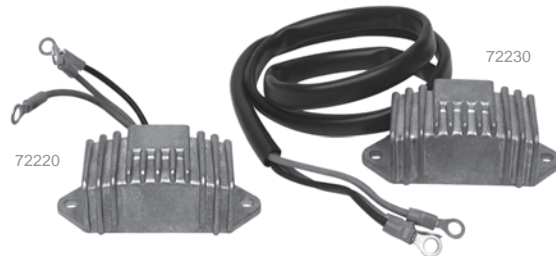
72118	OEM: 3287677	AQ171, AQ251 (1988-1992)
72122	OEM: 3861267	Volvo 8.1L Gi, GSi & GXi
72110	OEM: 3853548	Used w/ Points Style Ignition & Resistor Wire. Use w/ External Resistor. Oil Filled Coil.
72115	OEM: 3852217	Used w/ Prestolite Breakerless. Use w/out External Resistor. Oil Filled Coil.
72117	OEM: N/A	Used w/ Points Style Ignition Has Internal Resistor. Oil Filled Coil.
72116	OEM: 3854161	Used w/ Ford V8 Breakerless. 5.0/5.8L, 302/351 CID EFI (1993-96)

Voltage Regulators - OMC



72200	OEM: 985713	OMC
72290	OEM: 3853833	OMC
72210	OEM: 910599	OMC
72260	OEM: 383440	OMC (1964-1981)
72270	OEM: 384538	OMC (1964-1981)

Voltage Regulators - Volvo Penta



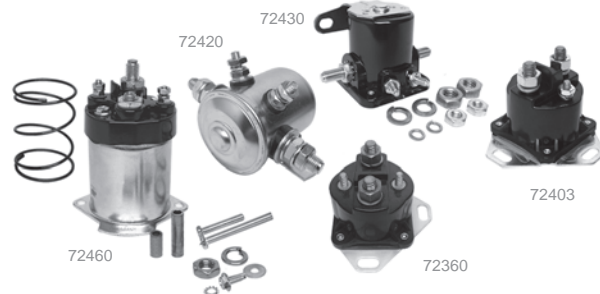
72220	OEM: 841688, 841381	Volvo Penta (1975-1989)
72230	OEM: 847605, 843547	Volvo Penta (1976-1982)

**Power Trim Relays - 5 Terminal
Volvo Penta**



73020	OEM: 876037	AQ270 & AQ280
73010	OEM: 876039	AQ175, 200, 225D, 260 & 290A

Solenoids - OMC & Volvo Penta



72460	OEM: 3853869	Starter Solenoid
72490	OEM: 1114356, 1114458	Starter Solenoid
72360	OEM: 586730	Starter / Trim Solenoid
72420	OEM: 378444	Solenoid
72430	OEM: 586180	Solenoid
72403	OEM: 985063	Starter / Trim Solenoid

GLM Products, Inc.

STANDARD IGNITION COMPONENTS APPLICATION

Model	Year(s)	Cyl.	Distributor	Points	Condenser	Distributor Cap	Rotor	Tune-Up Kit	Complete Tune-Up Kit
2.3L	1987-1990	4	(A)	70060	70580	-	71040	72620	72620
2.3L	1990	4	(B)	70010	70510	-	71060	72650	72650
2.5L	1981-1986	4	982351 (D)	70530	70530	71540	71020	72610	71720
3.0L	1982-1990	4	982351 (D, G)	70530	70530	71540	71020	72610	71720
3.8L	1981-1986	6	982846, 983203 (B, F)	70010	70510 (C)	71600	71060	72650	71750
4.3L	1985-1990	6	(B, F)	70010	70510 (C)	71600	71060	72650	71750
4.3L	1991-1992	6	986855 (B)	-	-	71600	71060	-	-
4.3L	2000 & Up	6	40005334 (D)	-	-	71650	71160	-	71890
5.0L (GM)	1979-1982	8	(B, E)	70040	70540	71550	71030	72640	71770
5.0L (GM)	1979-1982	8	(B, E)	70010	70510 (C)	71570	71050	72660	71740
5.0L (GM)	1981-1988	8	983453 (A)	70060	70580	71590	71040	72620	71760
5.0L (GM)	1983-1988	8	IBM 7013C (B, F)	70010	70510 (C)	71560	71060	72650	71730
5.0L (Ford)	1993	8	(B, F)	70010	70510 (C)	71560	71060	72650	71730
5.0L	1991-1992	8	(B, F)	-	-	71560	71060	-	-
5.0L	2000 & Up	8	21622232 (D)	-	-	71430	71160	-	71900
5.7L	1982-1990	8	983453 (A)	70060	70580	71590	71040	72620	71760
5.7L	1982-1990	8	IBM 7013C (B, F)	70010	70510 (C)	71560	71060	72650	71730
5.7L	1991-1992	8	(B, F)	-	-	71560	71060	-	-
5.7L	2000 & Up	8	21622232 (D)	-	-	71430	71160	-	71900
5.8L (Ford)	1989-1990	8	(B, F)	70010	70510 (C)	71560	71060	72650	71730
5.8L (Ford)	1991-1992	8	(B, F)	-	-	71560	71060	-	-
7.5L	1987	8	(B, E)	70040	70540	71550	71030	72640	71770
7.5L	1987	8	(B, E)	70010	70510 (C)	71570	71050	72660	71740
7.5L	1987-1989	8	(B, F)	70010	70510 (C)	71560	71060	72650	71730
100	1972-1973	4	384720, 979858 (D)	70020	70530	71540	71020	72610	71720
100	1972-1973	4	980500, 982351 (D)	70020	70530	71540	71020	72610	71720
110	1964	4	(D)	70020	70530	71540	71020	72610	71720
120	1965-1986	4	383581, 384258 (D)	70020	70530	71540	71020	72610	71720
140	1973-1989	4	980500, 982351 (D)	70020	70530	71540	71020	72610	71720
150	1964-1966	6	1110309, 22 (D)	70030	70530	-	-	-	-
155	1967-1972	6	1110376 (D)	70030	70520	-	-	-	-
165	1972-1976	6	980156 (D)	70020	70530	71530	71020	72610	71710
170	1974	8	(B, E)	70040	70540	71550	71030	72640	71770
170	1974	8	(B, E)	70010	70510 (C)	71570	71050	72660	71740
175	1975-1977	8	(B, E)	70040	70540	71550	71030	72640	71770
175	1975-1977	8	980902 (B, E)	70010	70510 (C)	71570	71050	72660	71740
185	1967-1968	8	381775 (A)	70060	70580	71580	71090	72680	71800
185	1978-1980	8	(B, E)	70040	70540	71550	71030	72640	71770
185	1978-1980	8	981659 (A)	70060	70580	71590	71040	72620	71760
185	1978-1980	8	982320 (B, E)	70010	70510	71570	71050	72660	71740
190	1974-1977	8	(B, E)	70040	70540	71550	71030	72640	71770
190	1974-1977	8	980902 (B, E)	70010	70510 (C)	71570	71050	72660	71740
200	1966	9	(D)	70030	70530	71520	71010	-	71700
200	1967-1968	8	1111050, 1111053 (D)	70030	70520	71520	71010	72630	71700
200	1967-1968	8	1111058, 382127 (D)	70030	70520	71520	71010	72630	71700
200	1979-1988	8	981659 (A)	70060	70580	71590	71040	72620	71760
200	1979-1982	8	(B, E)	70040	70540	71550	71030	72640	71770
200	1979-1982	8	982320 (B, E)	70010	70510 (C)	71570	71050	72660	71740
210	1968-1972	8	381775 (A)	70060	70580	71580	71090	72680	71800
215	1971	8	(A)	70060	70580	71580	71090	72680	71800
225	1978	8	981659, 982320 (A)	70060	70580	71590	71040	72620	71760
225	1972-1976	8	381775 (A)	70060	70580	71580	71090	72680	71800
230	1969-1978	8	981659	70060	70580	71590	71040	72620	71760
230	1979-1982	8	(B, E)	70040	70540	71550	71030	72640	71770
230	1979-1982	8	982320 (B, E)	70010	70510 (C)	71570	71050	72660	71760
230 (IB)	1975-1976	8	381775 (A)	70060	70580	71580	71090	72680	71800

TOC

Manifolds-Merc.

Manifolds-OMC

Manifolds-Volvo

Manifolds-Barr

MerCruiser

Merc / Mar / For

OMC / Volvo

Johnson / Evin

Yamaha

Index / X-Ref.

Warranty

STANDARD IGNITION COMPONENTS APPLICATION

Model	Year(s)	Cyl.	Distributor	Points	Condenser	Distributor Cap	Rotor	Tune-Up Kit	Complete Tune-Up Kit
235	1971	8	(A)	70060	70580	71580	71090	72680	71800
235	1975-1977	8	(B, E)	70040	70540	71550	71030	72640	71770
235	1975-1977	8	981080 (B, E)	70010	70510 (C)	71570	71050	72660	71740
240	1978	8	(B, E)	70040	70540	71550	71030	72640	71770
240	1978	8	981080 (B, E)	70010	70510 (C)	71570	71050	72660	71740
245	1972-1975	8	381775 (A)	70060	70580	71850	71090	72680	71780
250 (B)	1970-1974	8	(A)	70060	70580	71850	71090	72680	71780
250	1979	8	(B, E)	70040	70540	71550	71030	72640	71770
250	1979	8	981080 (B, E)	70010	70510 (C)	71570	71050	72660	71740
260 (B)	1975-1976	8	384193 (A)	70060	70580	71580	71090	72680	71800
260	1979-1982	8	(B, E)	70040	70540	71550	71030	72640	71770
260	1979-1982	8	981659 (A)	70060	70580	71590	71040	72620	71760
260	1979-1982	8	982320 (B)	70010	70510 (C)	71570	71050	72660	71740
262 CID	1989	6	(B, F)	70010	70510 (C)	71600	71060	72650	71750
290 JET	1974-1975	8	(A)	70060	70580	71580	71090	72680	71800
305 (IB)	1977-1979	8	980680 (A)	70060	70580	71580	71090	72680	71800
305 (IB)	1980-1982	8	981659, 982320 (A)	70060	70580	71590	71040	72620	71760
350 (IB)	1977-1979	8	981659 (A)	70060	70580	71580	71090	72680	71800
350 (IB)	1980-1982	8	982320 (A)	70060	70580	71590	71040	72620	71760
350 CID	1988-1989	8	(F)	70060	70580	71590	71040	72620	71760
350 CID	1988-1989	8	(B, E)	70010	70510 (C)	71570	71050	72660	71740
454 (IB)	1977-1979	8	(A)	70060	70580	71580	71090	72680	71800
454 (IB)	1980-1982	8	981659, 982320 (A)	70060	70580	71590	71040	72620	71760
460 CID	1988-1989	8	(B, F)	70010	70510 (C)	71560	71060	72650	71730

- | | | |
|----------------------------------|--|---|
| A Mallory Ignition | E Models w/ Clip-On Dist. Cap | I Elec. Dist. (Counter Rotation) |
| B Prestolite Ignition | F Models w/ Screw-On Dist. Cap | J Contact Controlled Dist. |
| C Wire Type use No. 70540 | G 90'S Model Point Ignition Only | K Does Not Include Models w/ Shift Assist Module |
| D Delco Ignition | H Elec. Dist. (Standard Rotation) | |

ELECTRONIC IGNITION DISTRIBUTOR PARTS APPLICATION

Model	Year(s)	Distributor OEM	Module	Pick-Up	Pole PC	Rotor	Cap
351 EFI King	1994	3854176	-	72140	N/R	71140	71640
3.0L	1994	-	73190	72130	-	71120	71420
4.3L	1994	-	73190	72130	73410	71110	71410
5.0L EFI	1994	3854175	-	72140	N/R	71140	71640
5.8L EFI	1994	3854176	-	72140	N/R	71140	71640
7.4L	1994	3855128	-	N/R	N/R	71130	71560
4.3L, 4.3L H.O. (2V Models)	1991-1993	986855	-	-	-	71060	71600
5.0L, 5.0L H.O., 5.8	1991-1993	986969, 986970	-	N/R	N/R	71060	71560
3.0L, 3.0L H.O.	1990-1993	986653	73190	72130	73420	71120	71420
351 EFI King	1993	987734	-	72140	N/R	71140	71640
351 King	1993	987527	-	N/R	N/R	71130	71560
5.0L EFI	1993	987733	-	72140	N/R	71140	71640
5.8L EFI King	1993	987734	-	72140	N/R	71140	71640
5.7L OMC Cobra	1991-1992	986983	-	-	-	71060	71560
351	1992-1993	987527	-	N/R	N/R	71130	71560
454, 454 H.O., 502	1992	987473	-	N/R	N/R	71130	71560
5.7LE	1992	986983	-	N/R	N/R	71060	71560
454 H.O. (744APERGF)	1991	987473	-	N/R	N/R	71130	71560
3.0, 3.0 H.O. (PWS/PWR)	1990	986653	73190	-	73420	71120	71420
4.3L, 4.3L H.O. w/ Dis. Ign.	1990	-	N/A	N/R	N/R	N/R	N/R



GLM Products, Inc.

VOLVO 4-CYL. & 6-CYL. / L6 - IGNITION COMPONENTS APPLICATION

Description	Ignition Part	GLM No.	OEM No.
4-Cyl. Pushrod Engines - AQ115 & AQ130			
One Piece Points / External Mounted Condenser Distributor	Points	70082	243799
	Condenser	70500	841263
- Kit No. 72600 Includes: 70082, 70500 & 71000	Cap	71490	870690
	Kit	72600	-
Two Piece Points / Internal Mounted Condenser Distributor	Points	70100	1306169
	Condenser	70591	241710
- Kit No. 72700 Includes: 70100, 70591 & 71000	Cap	71470	243797
	Kit	72700	-
For All	Rotor	71000	243903

4-Cyl. Single Overhead Cam Engines - AQ120, 125, 131, 140, 141, 145 & 151			
For use with Screw Down Distributor Cap	Condenser	70610	243653
	Cap	71480	841263
- Kit No. 72690 Includes: 70082, 70610 & 71000	Rotor	71000	243903
	Kit	72690	-
For use with Clip Down Distributor Cap	Condenser	70500	841262
	Cap	71470	243797
- Kit No. 72600 Includes: 70082, 70500 & 71000	Rotor	71000	243903
	Kit	72600	-
For All	Points	70082	243799

Inline 6-Cyl. (L6) Pushrod Engines - AQ165 & AQ170			
For use with Screw Down Distributor Cap	Condenser	70610	243653
	Cap	71480	841263
- Kit No. 72690 Includes: 70082, 70610 & 71000	Rotor	71000	243903
	Kit	72690	-
For use with Clip Down Distributor Cap	Condenser	70500	841262
	Cap	71470	243797
- Kit No. 72600 Includes: 70082, 70500 & 71000	Rotor	71000	243903
	Kit	72600	-
For All	Points	70082	243799

Delco, 4-Cyl. Points	Delco, L6-Cyl. Points	Delco EST, 4-Cyl. Breakerless	Delco EST, V6 Breakerless - OMC/Volvo
All OMC Chevy 4-Cyl. 2.5/3.0L, 153/181CID, 120/140HP	All OMC Chevy Inline 6-Cyl. 250CID, 165HP (1972-1976)	OMC Cobra w/ Chevy 3.0L, 181CID Volvo w/ Chevy 3.0L, 181CID	OMC Cobra w/ Chevy 4.3L, 262CID Volvo w/ Chevy 4.3L, 262CID
Delco EST, V6 Breakerless - Volvo	Delco EST, V8 Breakerless - OMC/Volvo	Delco EST, V8 Breakerless - Volvo	Delco V8 Ford Breakerless
Volvo Penta w/ Chevy 4.3L, V6	OMC Cobra w/ Chevy V8 Volvo w/ Chevy V8	Volvo Penta w/ Chevy 5.0/5.7L, V8	OMC Volvo & Cobra w/ Ford 5.0/5.8L, 302/351 CID (1993-1996)
Prestolite V6 OMC & Volvo	Prestolite V8 (Screw-down Cap)	Prestolite V8 (Clip-on Cap) - OMC	Prestolite V8 (Clip-on Cap) - OMC/Volvo
All OMC & Volvo Chevy 4.3L, 262CID, V6 Kit No. 72650 Also fits OMC Chevy 3.8L, 229CID, V6	All OMC & Volvo w/ newer style screw-down dist. cap. Cap No. 71560 & Rotor No. 71060 Also fits the breakerless distributor.	Fits OMC Stringer (1974-1982), OMC Cobra 7.5L (1987) w/ early style clip-on distributor cap.	All OMC & Volvo w/ early style clip-on distributor cap
Mallory V8 Flat Cap	All OMC & Volvo V8 w/ a Mallory flat cap distributor	Mallory V8 Standard Cap	All OMC & Volvo V8 w/ a Mallory standard cap distributor

GLM Products, Inc.

TOC

Manifolds-Merc.

Manifolds-OMC

Manifolds-Volvo

Manifolds-Barr

MerCruiser

Merc / Mar / For

OMC / Volvo

Johnson / Evin

Yamaha

Index / X-Ref.

Warranty

VOLTAGE REGULATORS APPLICATION

Model	Year(s)	GLM No.	Model	Year(s)	GLM No.
351 EFI King	1994	-	5.8L	1987-1993	72200
3.0L	1994	72290	5.7LE Cobra	1990-1992	72200
4.3L	1994	72290	5.7L	1988-1992	72200
5.0L	1994	72290	350 King Cobra	1988-1991	72200
5.0L EFI	1994	-	460 King Cobra	1988-1990	72200
5.7L	1994	72290	2.3L	1987-1990	72200
5.8L	1994	72290	4.3L, 4.3L H.O.	1987-1988	72200
5.8L EFI	1994	-	3.0L, 3.0L H.O.	1986-1988	72200
7.4L King	1994	72290	370 King Cobra	1988	72200
351 King	1992-1993	72290	2.5L, 3.0L, 3.8L, 4.3L, 5.0L, 5.7L	1982-1987	72210
502	1992-1993	72290	335 Cobra	1987	72200
454, 454 H.O. King Cobra	1990-1993	72290	340 King Cobra	1987	72200
3.0L, 3.0L H.O.	1989-1993	72290	5.0L, 5.0L H.O.	1987	72200
4.3L, 4.3L H.O.	1989-1993	72290	5.7L	1987	72200
5.0L, 5.0L H.O.	1988-1993	72290	7.5L	1987	72200

STARTER SOLENOIDS APPLICATION

Model	Year(s)	GLM No.	Model	Year(s)	GLM No.
5.0L, 5.0L H.O., 5.8 & EFI	1992-1994	-	5.0L, 5.0L H.O.	1989-1991	72360
351 & EFI	1992-1994	-	5.8L	1989-1991	72360
3.0L, 3.0L H.O. & PWS/PWR	1986-1994	72460	350 OMC King Cobra	1988-1991	72460
4.3L, 4.3L H.O.	1986-1994	72460	460 King Cobra	1989-1990	72360
5.7L	1986-1994	72460	2.3L	1987-1990	72360
All w/3-5/8 Starter Mounted - Short Type Delco Solenoids	1983-1994	72460	5.0L	1986-1989	72460
All w/4-1/4 Starter Mounted - Long Type Delco Solenoids	1965-1994	72490	370 King Cobra	1988	72403
502	1992-1993	72460	460 King Cobra	1988	72403
454, 454 H.O./OMC King Cobra	1990-1993	72460	335 Cobra	1987	72360
5.7LE OMC Cobra	1990-1992	72460	340 King Cobra	1987	72360
			7.5L	1987	72360
			2.5L	1986	72460

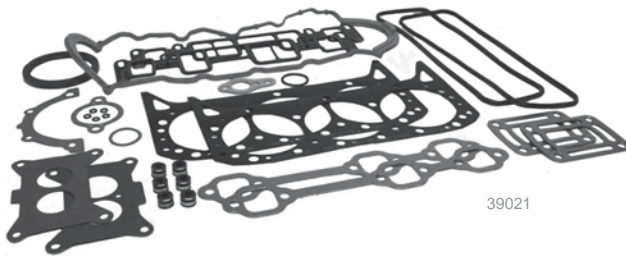
TRIM SOLENOIDS APPLICATION

Model	Year(s)	GLM No.	Model	Year(s)	GLM No.
351 King Cobra	1992-1993	72360	370, 460 King Cobra	1988	72440
502	1992-1993	72360	4.3L (2V and 4V)	1986-1987	72403
3.0L, 3.0L H.O.	1991-1993	72360	5.0L, 5.7L (4V)	1986-1987	72403
4.3L	1991-1993	72360	335 Cobra, 340 King Cobra	1987	72403
5.0L, 5.0L H.O., 5.8	1991-1993	72360	7.5L King Cobra	1987	72403
454, 454 H.O. King Cobra	1990-1993	72360	2.5L, 3.0L	1986	72403
4.3L H.O.	1990-1993	72360	175	1975-1978	72410
351 EF1 King Cobra	1993	72360	235	1975-1978	72410
5.0L, 5.8L EFI	1993	72360	190	1974-1978	72410
5.7L	1990-1992	72360	140	1973-1977	72410
5.7LE OMC Cobra	1990-1992	72360	120	1965-1977	72410
350 OMC King Cobra	1988-1991	72360	225	1974-1976	72410
370, 460 CIVIC King Cobra	1989-1990	72360	165	1972-1976	72410
2.3L	1987-1990	72440	245	1974-1975	72410
3.0L, 3.0L H.O. & PWS/PWR/PWC	1987-1990	72440	170	1974	72410
4.3L, 4.3L H.O.	1988-1989	72440	100	1972-1973	72410
5.0L, 5.7	1988-1989	72440			



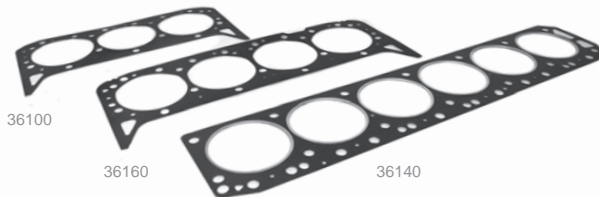
GLM Products, Inc.

Engine Overhaul Gasket Kits OMC & Volvo Penta



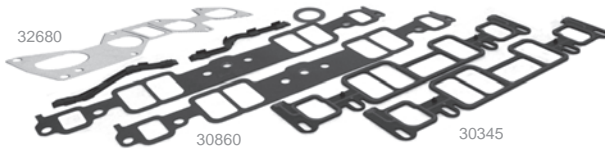
- 39021** OEM: N/A 4.3L (1996 & Up)
- 39022** OEM: N/A 5.7L (1996 & Up)

Head Gaskets - OMC & Volvo Penta



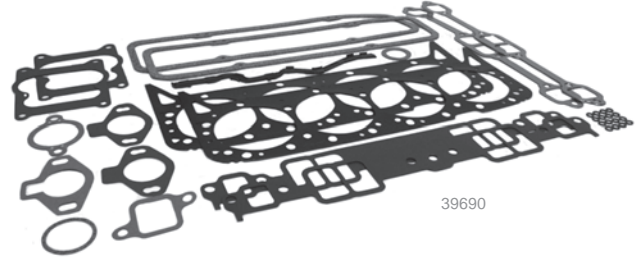
- 36080** OEM: 1378645 Volvo AQ120B, 125A, 140A, BB140A, 4-Cyl.
- 36090** OEM: 1378646 Volvo AQ145, 4-Cyl.
- 36130** OEM: 311210 Chevy 153 CID, 2.5L
- 36150** OEM: 914812 Chevy 181 CID, 3.0L
- 36190** OEM: 985662 Buick 231 CID, (1964-1972)
- 36140** OEM: 908237 Chevy 250 CID, 6-Cyl., 4.1L
- 36100** OEM: 3854299 Chevy 262 CID, V6, 4.3L
- 36160** OEM: 914971, Chevy 305/350 CID, 5.0L/5.7L 841207, 856474
- 36110** OEM: 914849 Chevy 454 CID, 7.4L
- 36170** OEM: 916221 Ford 351 CID, 5.8L
- 36120** OEM: 912766 Ford 460 CID, 7.5L

Intake Manifold Gasket Sets OMC & Volvo Penta



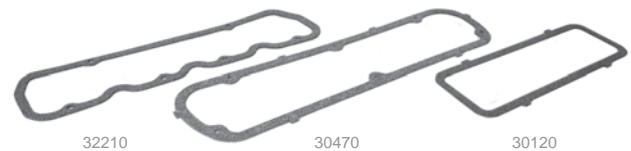
- 32680** OEM: 912471 Ford 2.3L, 140 CID
- 31570** OEM: 908079 Chevy 181 CID, 4-Cyl., 3.0L, (1968-1982)
- 33580** OEM: 3853256 Chevy 4-Cyl. (1996 & Up)
- 30345** OEM: 27-824326002 GM 4.3L (1996 & Up)
- 33940** OEM: 312737 Buick V6, (1964-1972)
- 30349** OEM: 312737 Chevy V6
- 30351** OEM: N/A Chevy V6
- 30860** OEM: N/A GM 305/350 CID, 5.0/5.7L (1997 & Before)
- 30347** OEM: 27-807473A1 GM 5.0/5.7L (1996 & Up)
- 39200** OEM: N/A Ford 302 CID, 5.0L
- 36280** OEM: 3854406, 3853913 Ford 351 CID, 5.8L
- 39170** OEM: N/A GM 454 CID, 7.4L

Cylinder Head Gasket Kits OMC & Volvo Penta



GM / Buick Gasket Kits		
39810	OEM: N/A	4-Cyl., 2.5L, 153 CID, 120/120 HP (1965-1985)
39661	OEM: N/A	4-Cyl., 2.5L (1968-1982)
39662	OEM: N/A	4-Cyl., 3.0L (1968-1982)
39820	OEM: N/A	4-Cyl., 3.0L, 181CID, 140HP (1973-88)
39663	OEM: N/A	4-Cyl., 3.0L (1991 & Up)
39830	OEM: 985662	Buick V6, 3.8L, 231CID (1964-72)
39660	OEM: 27-47453A1	250 CID, 165 HP
39654	OEM: 503796	4.3L (1996 & Below)
39690	OEM: 27-75611A2	5.0/5.7L, 305/350 CID, (1997 & Below)
39652	OEM: 27-75611A03	V8 S.B., 305/350/377 CID (1996 & Up)
Ford Gasket Kits		
39670	OEM: 27-56110A1	Ford 5.0L, 302 CID
39680	OEM: 27-64763A2	Ford 5.8L, 351 CID

Valve Cover & Lifter Side Cover Gaskets OMC & Volvo Penta



Valve Cover Gaskets		
32210	OEM: 3852693	GM 153/181 CID, 2.5/3.0L
30340	OEM: N/A	GM 250 CID, 4.1L
30359	OEM: 3854300	GM 262 CID, 4.3L
30356	OEM: 27-851040	GM 3.0L (1998 & Up)
30353	OEM: 912965	GM 305/350 CID, 5.0/5.7L Cork Gasket (1986 & Before)
30357	OEM: 3852687	GM 305/350 CID, 5.0/5.7L Rubber Gasket (1987 & Up)
30470	OEM: 3852818	Ford 302/351 CID, 5.0/5.8L
30350	OEM: 3853513	GM 454/502 CID, 7.4/8.2L
30358	OEM: 3854942	GM 4.3L w/ Plastic Valve Cover (1996 & Up)
33040	OEM: 912768	Ford 460 CID, 7.5L
Lifter Side Cover Gaskets		
30100	OEM: 3852692	153/181 CID Push Rod Cover
32640	OEM: 3856443	120/140 CID, 4-Cyl. w/ Stamped Cover
30120	OEM: N/A	140/150/160/165 CID, 6-Cyl.

TOC
Manifolds-Merc.
Manifolds-OMC
Manifolds-Volvo
Manifolds-Barr
MerCruiser
Merc / Mar / For
OMC / Volvo
Johnson / Evin
Yamaha
Index / X-Ref.
Warranty

TOC

Manifolds-Merc.

Manifolds-OMC

Manifolds-Volvo

Manifolds-Barr

MerCruiser

Merc / Mar / For

OMC / Volvo

Johnson / Evin

Yamaha

Index / X-Ref.

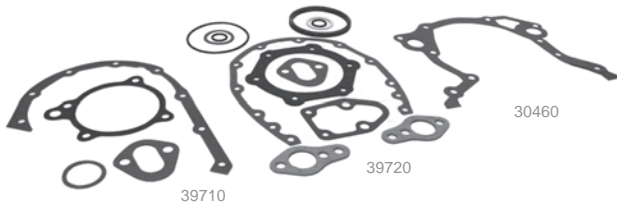
Warranty

Oil Pan Gaskets - OMC & Volvo Penta



39470	OEM: 508886	GM 153/181 CID, 2.5L & 3.0L
39460	OEM: N/A	GM 229 CID, V6, 3.8L
39130	OEM: N/A	GM 250, 165 Inline 6-Cyl., 4.1L
39840	OEM: 3852655	GM 262 CID, V6, 4.3L
39860	OEM: 3855801	GM V6, 4.3L
39850	OEM: 3852664	GM 305/350 CID, 5.0/5.7L (1986 & Up)
39490	OEM: N/A	Mark IV GM 454/502 CID, 7.4/8.2L (1991 & Before)
*39540	OEM: N/A	GM 262, 265, 267, 283, 302, 305, 327, 350 & 400 S.B. (1986 & Before)
39160	OEM: N/A	Ford 302 CID, 5.0L
39500	OEM: N/A	Ford 351 CID, 5.8L
30370	OEM: 3851981	Drain Plug - Oil Pan
*Universal Type		

Timing Chain Cover Gaskets OMC & Volvo Penta



Timing Chain Cover Gasket Kits		
39710	OEM: N/A	Chevy 4-Cyl. & Inline 6
39730	OEM: N/A	Chevy 262 CID, 4.3L, V6
39740	OEM: N/A	Mark IV, Chevy 454 (1991 & Before)
39720	OEM: N/A	Chevy 305/350 CID (1997 & Before)

Timing Chain Cover Gaskets		
30360	OEM: 3852691	4 & 6-Cyl. Chevy Timing Chain Cover
30530	OEM: N/A	Chevy V6 & V8 S.B. Timing Chain Cover (1997 & Before)
30440	OEM: N/A	Chevy 454 CID Timing Chain Cover (1991 & Before)
30460	OEM: N/A	Ford V8 Timing Chain Cover

Crank Shaft Seals - One Piece OMC & Volvo Penta



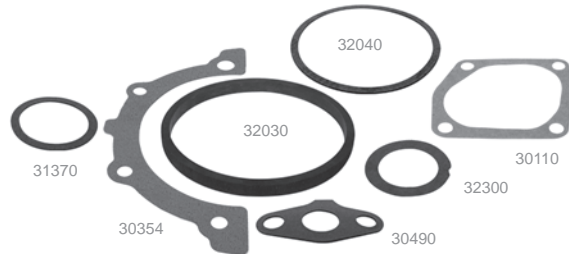
85780	OEM: 3853341	All GM w/ Metal Timing Cover One Piece - Front Main
85790	OEM: 3852657	4.3/5.0/5.7L Standard Rotation One Piece - Rear Main (1986 & Up)

Crank Shaft Seals - Two Piece OMC & Volvo Penta



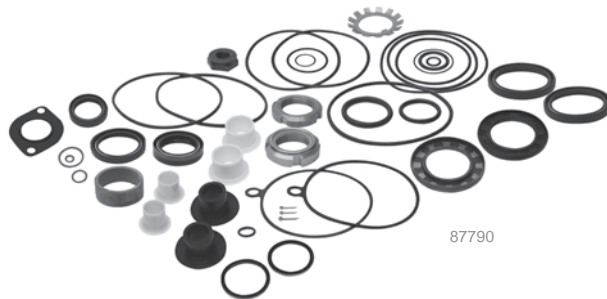
85490	OEM: 473424	All Chevy (1985 & Before) Two Piece - Rear Main
85960	OEM: 460571	7.4/8.2L (1986 & Before) Two Piece - Rear Main
85980	OEM: 913746	Ford 351 CID Two Piece - Rear Main

Gaskets - OMC & Volvo Penta



32040	OEM: N/A	Mallory V8 Distributor Cap
32030	OEM: N/A	Prestolite Distributor Cap
31370	OEM: 3852109	V6 & V8 Chevy Distributor Mounting
32300	OEM: N/A	4-Cyl. Distributor Mounting
30110	OEM: 3852658	4 & 6-Cyl. Chevy Oil Pump Cover
30490	OEM: N/A	Oil Pump Mounting
30354	OEM: 3852656	V6 305 & 350 CID Rear Main Seal Retainer Cover

Lower Gear Housing Seal Kits Volvo Penta AQ



Complete Upper & Lower Gear Housing Seal Kits		
87700	OEM: 875192	Single Prop (includes 87760 & 87780)
87790	OEM: 875741	Dual Prop (includes 87760 & 87770)

Lower Gear Housing Seal Kits		
87780	OEM: 876268	Single Prop, AQ200 thru AQ290 & AQSP
87770	OEM: 876267	Dual Prop, AQ280DP, 290DP & AQDP
87830	OEM: N/A	Prop Shaft Only, Single Prop AQ200 thru AQ290 & AQSP
87840	OEM: N/A	Prop Shaft Only, Dual Prop AQ280DP, 290DP & AQDP

Upper Gear Housing Seal Kits		
87760	OEM: 876266	AQ200 thru AQ290, AQSP & AQDP
87820	OEM: N/A	AQ280 thru AQ290, AQSP & AQDP

GLM Products, Inc.

Intermediate Gear Housing Steer Stem Repair Kit & Components Volvo Penta AQ



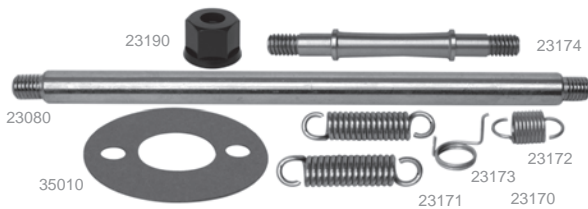
Steer Stem Repair Kit		
87710	OEM: N/A	AQ200 thru AQ290
Steer Stem Components		
23130	OEM: 814388	Swivel Bushing for Pipe Electric Tilt AQ250,270,275 & 280
23180	OEM: 814390	Plastic Washer
23020	OEM: 814356	Gasket, Rubber for Hose Connector
23010	OEM: 832846, 851452	Hose Connector, AQ200 thru AQ290 (Comes with Gasket No. 23020)
23011	OEM: 854031	Hose Connector, AQ200 thru AQ290
23013	OEM: 872752	Hose Connector, Plastic DP, DPD, DPE, DPG, DPH, DPX

Intermediate Gear Housing Tilt Bushings - Volvo Penta AQ



23090	OEM: 826341, 876278	All w/ Electric Tilt
23091	OEM: 832820	Power Trim, AQ270T & AQ280T
23092	OEM: 853223	Power Trim, AQ290, SP & DP
23093	OEM: 872096	P.Trim, DPE, DPX-S1, DPX, DP-C1 & DP-D1

Intermediate Gear Housing Tilt Components - Volvo Penta AQ



35010	OEM: 853936	Tilt Motor Gasket
23080	OEM: 814301	Setting Pin
23190	OEM: 941855	Nylon Nut for Setting Pin
23174	OEM: 814419, 814499	Shaft, Reverse Lock - AQ290, A, DP, SP-A, SP-A1, SP-A2, DP-A, DP-A1, DP-A2, DP-B1
23170	OEM: N/A	Spring Kit, Rev. Lock (23171 (2), 23172 & 23173)
23171	OEM: 814332	Spring
23172	OEM: 832534	Spring
23173	OEM: 814396	Spring

Intermediate Gear Housing Drive Cover - Volvo Penta AQ



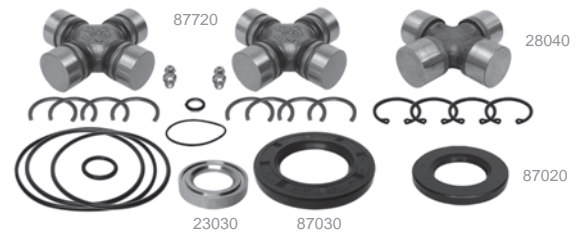
23100	OEM: 832570	Volvo Penta AQ
23230	OEM: 941816	Screw, Cover

Intermediate Gear Housing Exhaust Bellows - Volvo Penta AQ



89010	OEM: 850004, 875828	Exhaust Bellow w/ Flapper
89020	OEM: 875380, 875848	Exhaust Bellow w/out Flapper
89030	OEM: 875826	Universal Joint Bellow

U-Joint Seal Kit & Components Volvo Penta AQ



U-Joint Seal Kit w/ U-Joint		
87720	OEM: N/A	AQ270 thru AQ290, AQSP & AQDP
U-Joint Seal Kit w/out U-Joint		
87730	OEM: N/A	AQ270 thru AQ290, AQSP & AQDP
U-Joints, Seals & Seal Washer		
28020	OEM: 85345	Universal Joint - Heavy Duty
28040	OEM: 3860232	Universal Joint - External Lock-ring Style
87020	OEM: 958860-9	Seal, Flywheel Housing
87030	OEM: 853670	Seal, Flywheel Housing
23030	OEM: 832675	Seal Washer - AQ270 thru AQ290, AQSP & AQDP

Transom Seal & Top Cover Gaskets Volvo Penta AQ



86713	OEM: 852868	Transom Mount Seal - AQ290, A, DP, SP-A, SP-A1, SP-A2, SP-C, SP-C1, DP-A1, DP-A2, DP-B, DP-B1, DP-C, DP-C1, DP-D, DP-D1, DPX
87010	OEM: 832669	Top Cover Gasket
87011	OEM: 814168	Top Cover Gasket

GLM Products, Inc.

VOLVO PENTA - AQ - UPPER GEAR HOUSING

TOC

Manifolds-Merc.

Manifolds-OMC

Manifolds-Volvo

Manifolds-Barr

MerCruiser

Merc / Mar / For

OMC / Volvo

Johnson / Evin

Yamaha

Index / X-Ref.

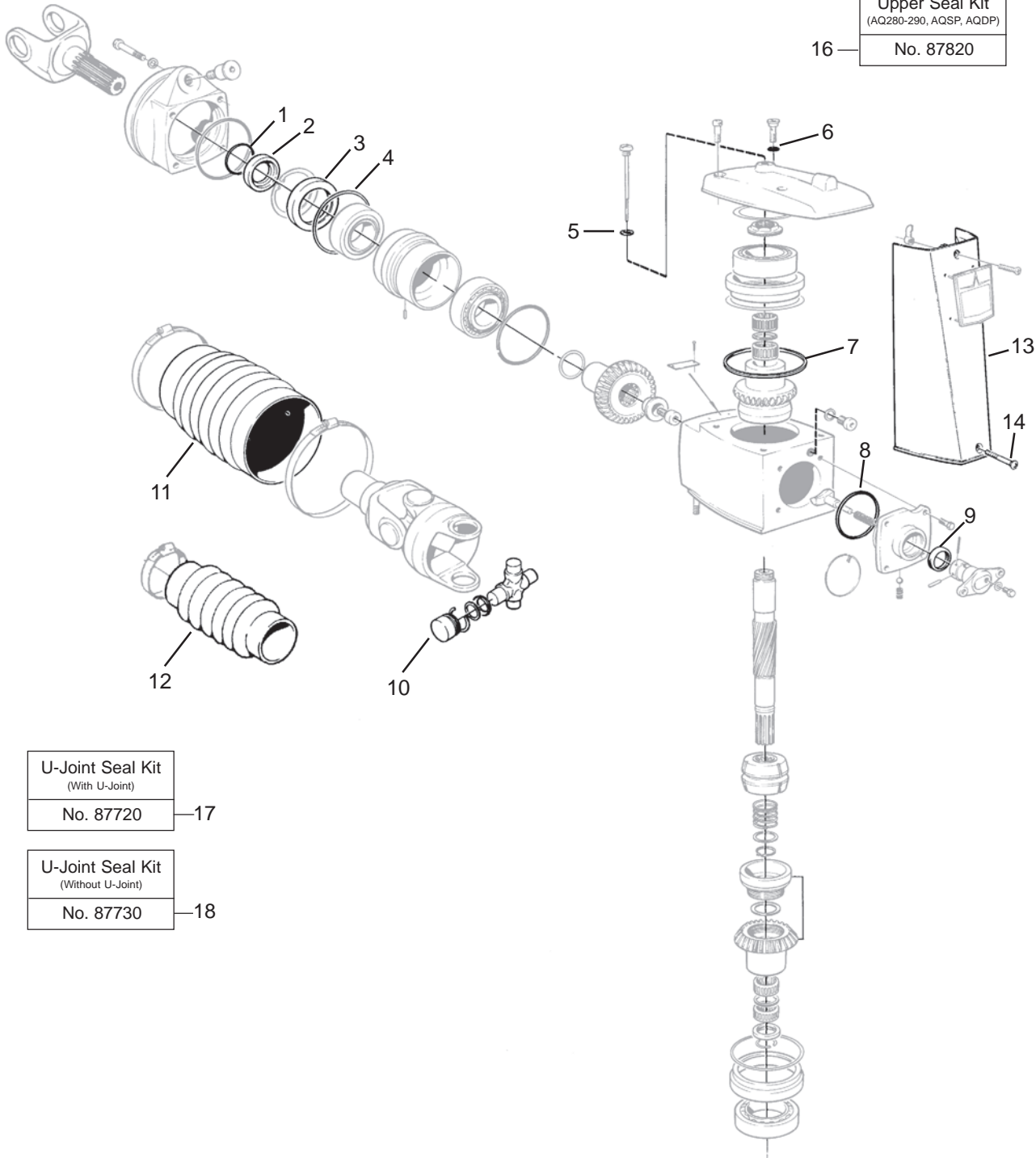
Warranty

Upper Seal Kit
(AQ200-290, AQSP, AQDP)
No. 87760

15

Upper Seal Kit
(AQ280-290, AQSP, AQDP)
No. 87820

16



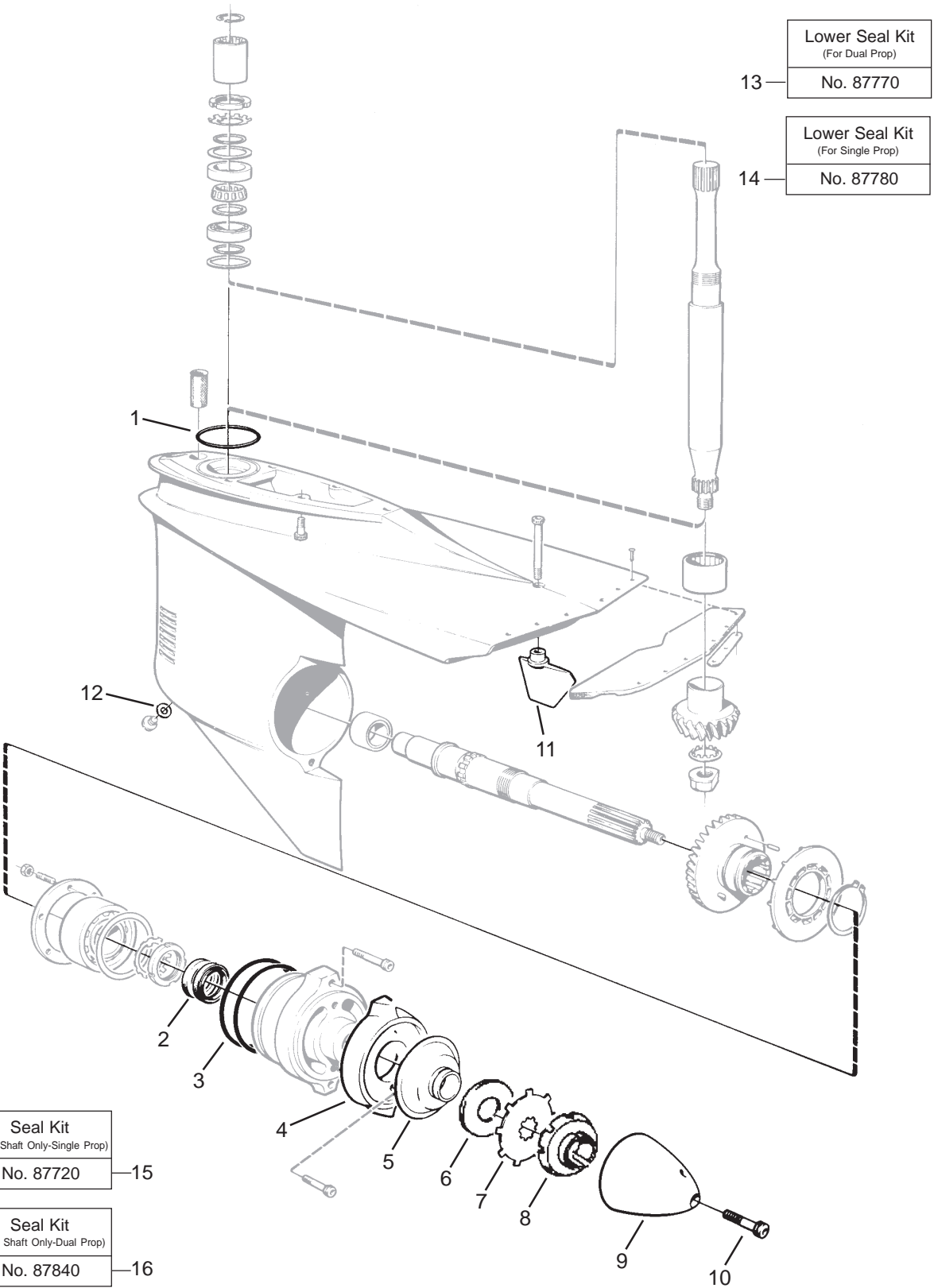
U-Joint Seal Kit
(With U-Joint)
No. 87720

17

U-Joint Seal Kit
(Without U-Joint)
No. 87730

18

VOLVO PENTA - AQ - LOWER GEAR HOUSING



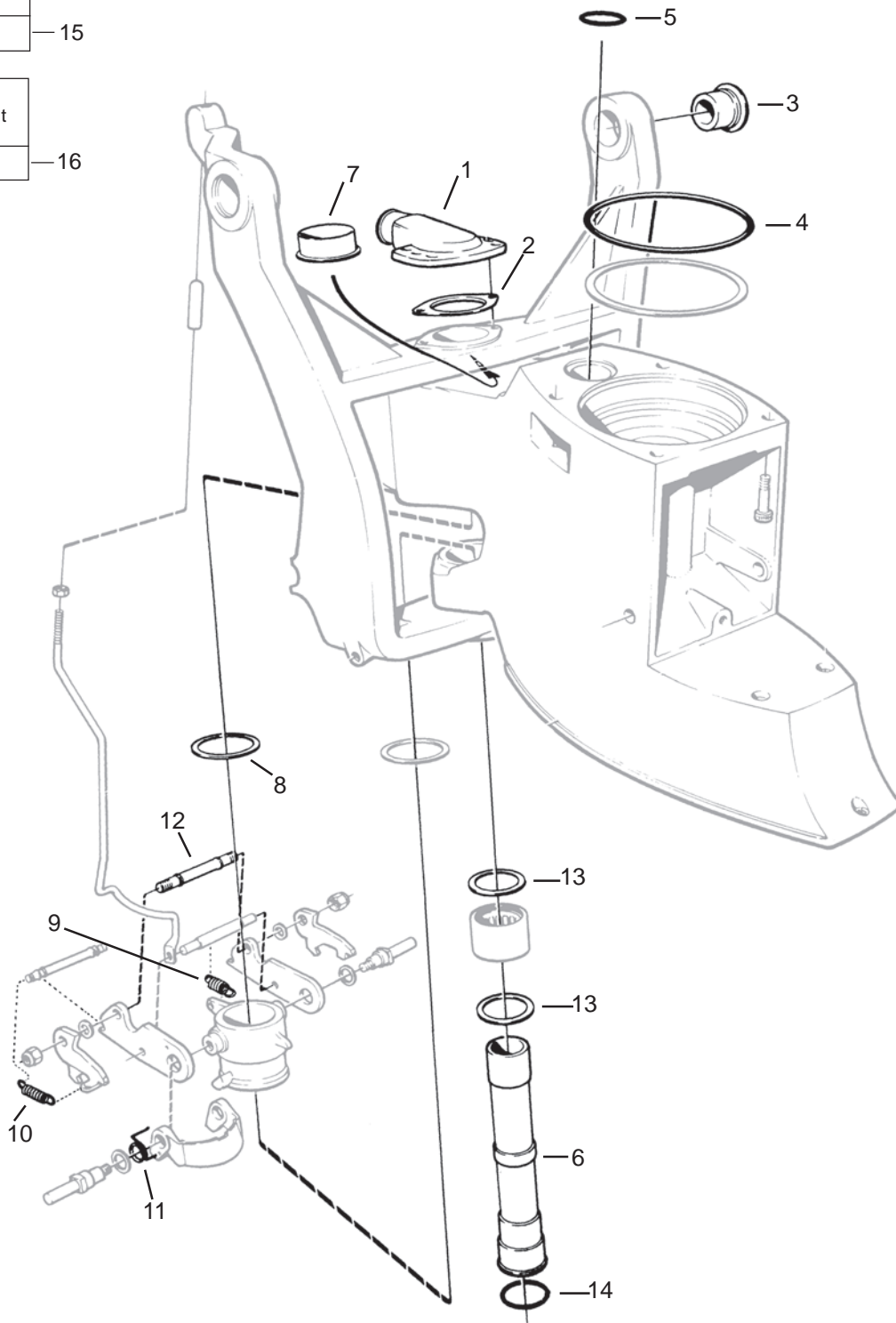
VOLVO PENTA - AQ - INTERMEDIATE GEAR HOUSING

Steer Stem
Repair Kit
(AQ200-290)
No. 87710

15

Hose
Connector Kit
(AQ200-290)
No. 87820

16



GLM Products, Inc.

VOLVO PENTA - AQ - TRANSOM ASSEMBLY

TOC

Manifolds-Merc.

Manifolds-OMC

Manifolds-Volvo

Manifolds-Barr

MerCruiser

Merc / Mar / For

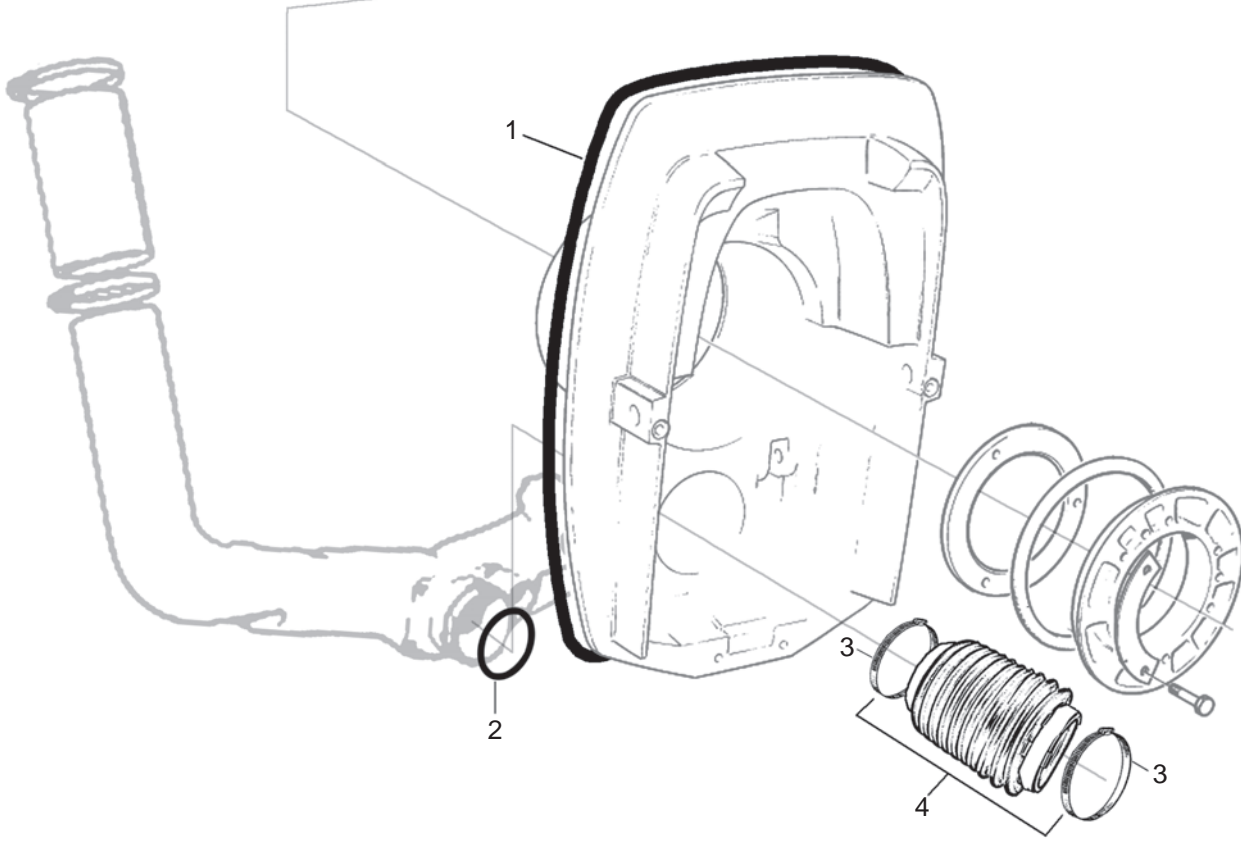
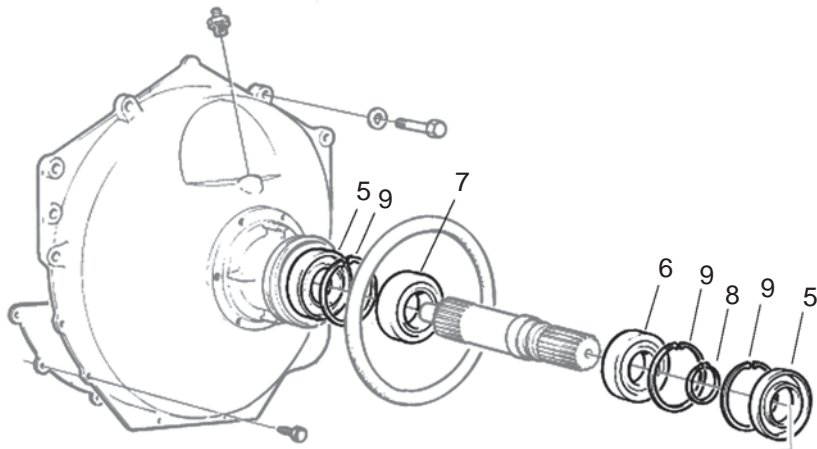
OMC / Volvo

Johnson / Evin

Yamaha

Index / X-Ref.

Warranty



TOC

Manifolds-Merc.

Manifolds-OMC

Manifolds-Volvo

Manifolds-Barr

MerCruiser

Merc / Mar / For

OMC / Volvo

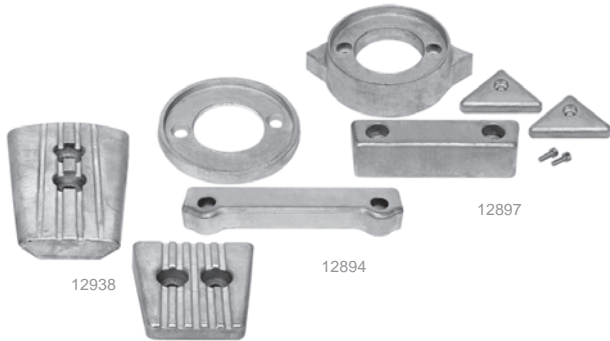
Johnson / Evin

Yamaha

Index / X-Ref.

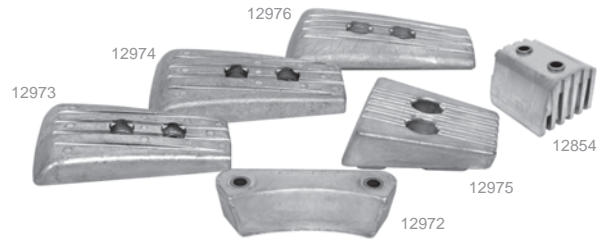
Warranty

**Aluminum Anode Kits
Volvo Penta**



12894	OEM: N/A	AQ200
12895	OEM: N/A	AQ250, 270, 270T & 275
12896	OEM: N/A	AQ280, 280T & 280PT
12897	OEM: N/A	AQ290, 290A
12898	OEM: N/A	AQ280DP
12899	OEM: N/A	AQ290DP
12933	OEM: N/A	DPH-A/B
12948	OEM: N/A	DPR-A/B
12921	OEM: N/A	SX-S, C, R, M, DP-S, SM
12938	OEM: N/A	SXA-DPSA

**Aluminum Anodes - Volvo Penta
DPH-A/B, DPR-A/B, DPX & SXA-DPSA**



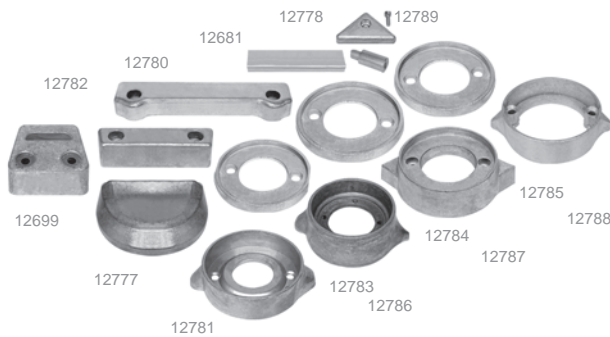
12973	OEM: 3588748	DPH-A/B
12972	OEM: 3588770	DPH-A/B, DPR-A/B
12974	OEM: 3854130	DPR-A/B
12854	OEM: 873395	DPX
12975	OEM: 3888816	SXA-DPSA
12976	OEM: 3888813	SXA-DPSA

**Prop Nut Service Kits & Components
Volvo Penta**



Prop Nut Service Kits		
23120	OEM: N/A	Includes: 23070, 23060, 23050, 23040 & 23240
23123	OEM: N/A	Includes: 23070, 23050, 23040 & 23240
23121	OEM: N/A	Includes: 23060, 23050 & 23040
23122	OEM: N/A	Includes: 23060, 23050, 23040 & 23240
23124	OEM: N/A	Includes: 23070, 23040 & 23240
Prop Nut Kit Components		
23070	OEM: 850888	Plastic Washer
23060	OEM: 897367	Prop Lock Tab Washer
23050	OEM: 854047	Spacer Washer
23040	OEM: 854045	Prop Cone (comes w/ 23240)
23240	OEM: 850889	Screw

**Aluminum Anodes
Volvo Penta AQ, Cobra SX
& Diesel Engine**



12783	OEM: 875810	AQ100, 100B, 100S
12786	OEM: 875812	AQ110S
12781	OEM: 876286	AQ120S, 120SB
12785	OEM: 875809	AQ200
12784	OEM: 875805	AQ250, 270, 270T, 275
12788	OEM: 875821	AQ280DP, 290DP
12787	OEM: 875815	AQ280, 280T, 280PT, 290, 290A
12780	OEM: 832598	AQ200, 250, 270, 275, 280, 280DP
12782	OEM: 852835	AQ290, 290DP
12778	OEM: 872793	290, 290DP, DP-X
12777	OEM: 3855411	Cobra SX, DP-S/SI
12699	OEM: 3854130	Cobra SX
12681	OEM: 3852970	Cobra SX
12789	OEM: 838929	Diesel Engine, MD19, 21, 27, 29, 32, AQ30, 31, 40, 41

Thrust Rings - Volvo Penta



23150	OEM: 839423	280-290SP
23151	OEM: 872082	SP Fishing Line Cutter
23160	OEM: 839534	250, 270, 275
23152	OEM: 3858457	DP
23153	OEM: 3858458	DP

GLM Products, Inc.

Universal Puller Plate



90150 OEM: 91-37241 Pulls gears & bearings.

Prop & Bearing Carrier Puller OMC & Volvo Penta

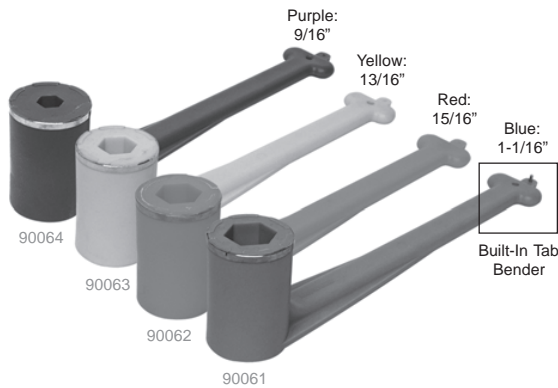
TOES IN
For prop & old style
bearing carrier.



TOES OUT
For new style
bearing carrier.

90095 OEM: N/A For all style bearing carrier and most prop. (5 ton min.)

Prop Wrenches - Color Coded OMC & Volvo Penta



- 90061** OEM: 91-859046M4 Color Coded: Blue - 1-1/16" With Built-In Tab Bender
- 90062** OEM: 91-859046M3 Color Coded: Red - 15/16"
- 90063** OEM: 91-859046M2 Color Coded: Yellow - 13/16"
- 90064** OEM: 91-859046M1 Color Coded: Purple - 9/16"

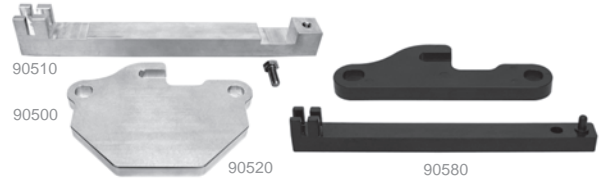
Drive Shaft Shimming Tool - OMC

GLM deign! One-piece vertical shimming tool for most OMC sterndrive & V6 o/b.



90330 OEM: N/A Drive Shaft Shimming Tool

Shift Cable Adjustment Tool Kits OMC & Volvo Penta



- 90520** OEM: 914017 + 915271 Shift Cable Adjustment Tool Kit (Aluminum)
- 90580** OEM: 914017 + 915271 Shift Cable Adjustment Tool Kit (Plastic)*
- 90500** OEM: 914017 Bellcrank Alignment Plate (Aluminum)
- 90510** OEM: 915271 Shift Cable Tool (Aluminum)

*Note: No. 90580 Plastic Parts Not Sold Separately.

Height Gauge for Shift Rod OMC Cobra



90530 OEM: 912277 OMC Cobra

Spanner Wrench OMC & Volvo Penta



90460 OEM: 912272 Spanner Wrench

Pinion Nut Adapter Kit & Drive Shaft Adapters - OMC



- 90340** OEM: N/A Pinion Nut Adapter Kit (includes 90350)
- 90350** OEM: 314438 Drive Shaft Adapter - OMC Sterndrive & O/B
- 90480** OEM: 311875 Drive Shaft Adapter - OMC Stringer

Engine Alignment Tool OMC & Volvo Penta



90050 OEM: 912273 Aligns engine & drive unit during installation.

GLM Products, Inc.

OIL SEALS SHAFT & BORE SIZE

Table By OEM Numbers

GLM No.	OEM No.	Shaft Size	Bore Size	GLM No.	OEM No.	Shaft Size	Bore Size
86350	302564	0.7813	1.3750	86510	324639	0.4375	0.9375
86360	303345	0.5625	1.0000	86750	326716	0.7500	1.3750
86380	305987	1.0000	1.3750	86450	327031	0.4375	0.8750
86370	309989	1.3750	2.0000	86240	329922	0.8750	1.3750
85110	310599	1.0000	1.5000	86250	329923	0.8750	1.3750
86040	310649	2.5000	3.0000	86030	330137	1.1250	1.6250
86390	313282	0.5540	1.0625	86270	330327	0.6250	1.1250
86740	313283	0.8125	1.3125	86790	331103	1.1250	1.6250
86410	313284	0.6250	1.1250	86460	332205	0.7500	1.1250
86050	313353	1.9375	2.4375	86520	332261	0.6250	1.3750
85010	313392	1.1875	1.8750	86470	332942	1.6250	2.0625
86400	314167	0.4219	0.9375	86810	334950	1.2500	1.6875
86120	318972	0.5000	0.8750	86440	339620	1.6250	2.1250
85130	320862	1.1875	1.6875	86011	341280	0.8750	1.3750
85120	321453	0.8750	1.2500	86012	314281	1.2500	1.6875
86150	321459	0.6250	1.1250	86590	908855	0.6250	1.0000
86160	321466	0.7500	1.1250	86070	911019	1.0000	2.5000
86060	321467	1.0000	1.3750	86530	911685	2.0000	2.5000
86170	321480	0.5000	1.2500	86550	911788	1.0000	1.3750
86180	321481	0.6875	1.2500	86010	981195	1.5000	2.1250
86420	321786	0.6250	1.1250	86080	981196	1.7500	2.5000
86190	321787	0.6250	1.1250	86090	981268	1.6250	2.5000
86430	321788	0.5000	1.0000	87100	3852272	45MM	75MM
86760	321831	0.7500	1.2500	86610	3853655	0.5000	0.9062
86770	321895	1.6250	1.9219	87110	3853858	25MM	35MM
86200	321928	0.6250	1.3750	86260	3858303	1.2500	1.7500

Table By Shaft Size

GLM No.	OEM No.	Shaft Size	Bore Size	GLM No.	OEM No.	Shaft Size	Bore Size
86400	314167	0.4219	0.9375	86240	329922	0.8750	1.3750
86450	327031	0.4375	0.8750	86250	329923	0.8750	1.3750
86510	324639	0.4375	0.9375	87110	3853858	25mm	35mm
86120	318972	0.5000	0.8750	85110	310599	1.0000	1.5000
86170	321480	0.5000	1.2500	86060	321467	1.0000	1.3750
86430	321788	0.5000	1.0000	86070	911019	1.0000	2.5000
86610	3853655	0.5000	0.9062	86380	305987	1.0000	1.3750
86390	313282	0.5540	1.0625	86550	911788	1.0000	1.3750
86360	303345	0.5625	1.0000	86030	330137	1.1250	1.6250
86410	313284	0.6250	1.1250	86790	331103	1.1250	1.6250
86150	321459	0.6250	1.1250	85010	313392	1.1875	1.8750
86190	321787	0.6250	1.1250	85130	320862	1.1875	1.6875
86200	321928	0.6250	1.3750	86012	314281	1.2500	1.6875
86270	330327	0.6250	1.1250	86810	334950	1.2500	1.6875
86420	321786	0.6250	1.1250	86260	3858303	1.2500	1.7500
86520	332261	0.6250	1.3750	86370	309989	1.3750	2.0000
86590	908855	0.6250	1.0000	86010	981195	1.5000	2.1250
86180	321481	0.6875	1.2500	86090	981268	1.6250	2.5000
86160	321466	0.7500	1.1250	86440	339620	1.6250	2.1250
86460	332205	0.7500	1.1250	86470	332942	1.6250	2.0625
86750	326716	0.7500	1.3750	86770	321895	1.6250	1.9219
86760	321831	0.7500	1.2500	86080	981196	1.7500	2.5000
86350	302564	0.7813	1.3750	87100	3852272	45mm	75mm
86740	313283	0.8125	1.3125	86050	313353	1.9375	2.4375
85120	321453	0.8750	1.2500	86530	911685	2.0000	2.5000
86011	341280	0.8750	1.3750	86040	310649	2.5000	3.0000



GLM Products, Inc.

OIL SEAL APLICATIONS

Model	Years	GLM No.	Application	Qty.	Model	Years	GLM No.	Application	Qty.
Cobra Transom Mount					Stringer Mount Lower Gearcase Cont...				
262 - 460	1988-1990	86560	Driveshaft	1	110-200 (A)	1964-1967	85110	Brg. Retainer	2
350 - 460	1988	86550	Pivot Shaft	2	11 0-245 (A)	1964-1977	85110	Prop Shaft	2
2.3L - 7.5L	1986-1988	86550	Pivot Shaft	2	110/120 (B)	1964-1967	85110	Brg. Retainer	1
2.3L - 7.5L	1986-1990	86550	Driveshaft	1	120-245	1968-1977	85110	Brg. Ret-Lower	2
Cobra Upper Gearcase					120-260	1978-1981	86060	Brg. Ret-Lower	2
262 - 460	1988-1989	86530	Brg. Carrier	1	120/140	1978-1981	86030	Prop Shaft	2
262 - 460	1988-1990	86610	Pump Shaft	1	155 (C)	1967	86050	Brg. Ret.-Middle	2
2.3L - 7.5L	1986-1990	86610	Pump Shaft	1	155 (C)	1967	86040	Brg. Ret.-Upper	1
2.3L-7.5L (A)	1986-1990	86530	Brg. Carrier	1	185-260	1978-1981	85130	Prop Shaft	2
(A) 5,7L 1990 574 AMPWS, ARPWS					210-260 (D)	1972-1975	86070	Impeller Hsg.	1
Cobra Lower Gearcase					230/260 (D)	1976	86060	Impeller Hsg.	1
262 - 460	1988-1989	85130	Prop Shaft	2	305/350/454 (D)	1977-1978	86060	Impeller Hsg.	1
2.3L	1990	86030	Prop Shaft	2	2.5L/3.0L	1982-1986	86030	Prop Shaft	2
2.3L - 3.0L	1986-1989	86030	Prop Shaft	2	2.5L-5.7L	1981-1986	86040	Brg. Ret.-Upper	1
3.0L	1990	85130	Prop Shaft	2	2.5L-5.7L	1981-1986	86050	Brg. Ret.-Middle	2
4.3L - 7.5L	1986-1990	85130	Prop Shaft	2	2.5L-5.7L	1981-1986	86060	Brg. Ret.-Lower	2
Stringer Mount Upper Gearcase					3.8L-5.7L	1981-1986	85130	Prop Shaft	2
80 - 245	1968-1972	86090	Ball Gear	1	(A) 110,120 HP (1964-67) Heavy Duty Drive		(B) Standard Drive		
80 - 260	1969-1981	86090	Impeller Hsg	2	(C) HU, HUE 16 C Models		(D) Inboard Engines		
88 - 200	1964-1966	86370	Ball Gear	1	Stringer Mount Intermediate Housing				
90 (C)	1967	86370	Ball Gear	1	80-235	1964-1971	86370	Ball Gear-Outer	1
90 (D)	1967	86090	Ball Gear	1	80-245	1964-1972	86030	Ball Gear-Inner	1
100 - 245	1972-1973	86090	Ball Gear	1	80-260 (B)	1964-1980	86070	Clutch	1
100 - 260	1973-1981	86080	Ball Gear	2	100-245	1972	86370	Ball Gear-Outer	2
120 (A)	1967	86090	Ball Gear	1	100-260	1973-1979	85010	Ball Gear-Inner	1
120 (B)	1967	86370	Ball Gear	1	100-260	1973-1981	86010	Ball Gear-Outer	2
120 (A)	1967	86090	Impeller Hsg	2	120-260	1980-1981	85010	Ball Gear-Inner	2
120 - 210	1968	86090	Impeller Hsg	2	120-260 (A)	1980-1981	86060	Clutch	2
155	1967	86090	Impeller Hsg	2	2.5L-5.7L	1981-1986	86060	Clutch	2
155 (E)	1967	86370	Ball Gear	1	2.5L-5.7L	1981-1986	85010	Ball Gear-Inner	2
155	1967	86090	Ball Gear	1	(A) 120, 140 1980C Models 185-260 1980 K & U Models.				
185	1967	86370	Ball Gear	1	(B) C Models IN 1980.				
200 (F)	1967	86370	Ball Gear	1	Notes:				
200 (G)	1967	86090	Impeller Hsg	2	_____				
200 (G)	1967	86090	Ball Gear	1	_____				
2.5L - 5.7L	1981-1986	86080	Ball Gear	2	_____				
2.5L - 5.7L	1981-1986	86090	Impeller Hsg	2	_____				
(A) CU,CUE 16C Models (E) HU,HUE 15S Models					_____				
(B) CU 15S Models(F) TU,TUE 15S Models					_____				
(C) DU, DUE 14D Models (G) TU,TUE 16C Models					_____				
(D) DU,DUE 15S Models					_____				
Stringer Mount Lower Gearcase					_____				
80 / 90	1968-1971	86070	Brg. Ret.-Lower	2	_____				
80 / 90	1968-1971	86070	Prop shaft	2	_____				
88 / 90	1964-1968	85110	Brg. Retainer	1	_____				
80-260	1968-1981	86040	Brg Ret.-Upper	1	_____				
80-260	1968-1981	86050	Brg. Ret.-Middle	2	_____				

TOC
Manifolds-Merc.
Manifolds-OMC
Manifolds-Volvo
Manifolds-Barr
MerCruiser
Merc / Mar / For
OMC / Volvo
Johnson / Evin
Yamaha
Index / X-Ref.
Warranty

GLM Products, Inc.

TOC

Manifolds-Merc.

Manifolds-OMC

Manifolds-Volvo

Manifolds-Barr

MercCruiser

Merc / Mar / For

OMC / Volvo

Johnson / Evin

Yamaha

Index / X-Ref.

Warranty

O-RINGS

GLM	OEM	I.D.	O.D.	W.	GLM	OEM	I.D.	O.D.	W.	GLM	OEM	I.D.	O.D.	W.
Table By OEM Numbers														
80120	202893	3/8	1/2	1/16	81230	309731	1-3/16	1-3/8	3/32	81100	329381	3/8	9/16	3/32
81070	310824	7/32	13/32	3/32	82250	310327	1-7/8	2-1/8	1/8	80100	332583	1/4	3/8	1/16
45230	301877	31/128	73/128	21/128	82390	310414	3-5/8	3-7/8	1/8	80100	332584	1/4	3/8	1/16
81170	301967	13/16	1	3/32	82100	310584	3/4	1	1/8	81080	333572	1/4	7/16	3/32
82260	302337	2	2-1/4	1/8	81160	310585	3/4	15/16	3/32	81450	338518	2-9/16	2-3/4	3/32
82170	302493	1-3/16	1-7/16	1/8	81160	310967	3/4	15/16	3/32	81300	338522	1-5/8	1-13/16	3/32
81260	302537	1-3/8	1-9/16	3/32	80180	311338	3/4	7/8	1/16	81120	339543	1/2	11/16	3/32
82140	302540	1	1-1/4	1/8	82480	313175	4-3/4	5	1/8	82360	553126	3-1/4	3-1/2	1/8
82240	302588	1-3/4	2	1/8	81310	313340	1-11/16	1-7/8	3/32	81220	554545	1-1/8	1-5/16	3/32
81100	303067	3/8	9/16	3/32	82370	313446	3-3/8	3-5/8	1/8	81550	908194	4	4-3/16	3/32
80110	303191	5/16	7/16	1/16	81340	313754	1-7/8	2-1/16	3/32	81440	908383	2-1/2	2-11/16	3/32
81110	303347	7/16	5/8	3/32	80220	314491	1	1-1/8	1/16	81140	909047	5/8	13/16	3/32
82150	303360	1-1/16	1-5/16	1/8	81380	314728	2-1/8	2-5/16	3/32	41120	909048	1/2	11/16	3/32
80140	304174	1/2	5/8	1/16	80100	317178	1/4	3/8	1/16	42140	909139	1	1-1/4	1/8
82400	305123	3-3/4	4	1/8	45200	318372	8mm	16mm	4mm	80230	909140	1-1/16	1-3/16	1/16
82080	305146	5/8	7/8	1/8	83250	318717	1-1/2	1-7/8	3/16	81280	909316	1-1/2	1-11/16	3/32
82030	305242	5/16	9/16	1/8	83200	319085	1-1/8	1-1/12	3/16	81090	909747	5/16	1/2	3/32
82230	305270	1-5/8	1-7/8	1/8	81330	319662	1-13/16	2	3/32	82520	910238	5-1/4	5-1/2	1/8
80100	305739	1/4	3/8	1/16	82130	320140	15/16	1-3/16	1/8	82250	910582	1-7/8	2-1/8	1/8
82310	307082	2-5/8	2-7/8	1/8	82320	320303	2-3/4	3	1/8	80100	911311	1/4	3/8	1/16
80130	307450	7/16	9/16	1/16	80080	321117	3/16	5/16	1/16	82380	911686	3-1/2	3-3/4	1/8
80090	307853	7/32	11/32	1/16	81250	322501	1-5/16	1-1/2	3/32	82430	911700	4-1/8	4-3/8	1/8
82350	308621	3-1/8	3-3/8	1/8	80090	322598	7/32	11/32	1/16	81210	911718	1-1/16	1-1/4	3/32
81290	308458	1-9/16	1-3/4	3/32	81140	326649	5/8	13/16	3/32	81230	911871	1-3/16	1-3/8	3/32
81190	308624	15/16	1-1/8	3/32	82460	326741	4-1/2	4-3/4	1/8	45080	925093	70mm	76mm	3mm
81270	308626	1-7/16	1-5/8	3/32	82440	326849	4-1/4	4-1/2	1/8	81180	3852565	7/8	1-1/6	3/32
82280	308627	2-1/4	2-1/2	1/8	45230	326956	31/128	73/128	21/128					
81400	308876	2-1/4	2-7/16	3/32	81140	329380	5/8	13/16	3/32					

Table By Nominal Size

80080	321117	3/16	5/16	1/16	81170	301967	13/16	1	3/32	82170	302493	1-3/16	1-7/16	1/8
80090	307853	7/32	11/32	1/16	81180	3852565	7/8	1-1/16	3/32	82230	305270	1-5/8	1-7/8	1/8
80090	322598	7/32	11/32	1/16	81190	308624	15/16	1-1/8	3/32	82240	302588	1-3/4	2	1/8
80100	305739	1/4	3/8	1/16	81210	911718	1-1/16	1-1/4	3/32	82250	310327	1-7/8	2-1/8	1/8
80100	317178	1/4	3/8	1/16	81220	554545	1-1/8	1-5/16	3/32	82250	910582	1-7/8	2-1/8	1/8
80100	332583	1/4	3/8	1/16	81230	309731	1-3/16	1-3/8	3/32	82260	302337	2	2-1/4	1/8
80100	332584	1/4	3/8	1/16	81230	911871	1-3/16	1-3/8	3/32	82280	308627	2-1/4	2-1/2	1/8
80100	911311	1/4	3/8	1/16	81250	322501	1-5/16	1-1/2	3/32	83210	307082	2-5/8	2-7/8	1/8
80110	303191	5/16	7/16	1/16	81260	302537	1-3/8	1-9/16	3/32	82320	320303	2-3/4	3	1/8
80120	202893	3/8	1/2	1/16	81270	308626	1-7/16	1-5/8	3/32	82350	308621	3-1/8	3-3/8	1/8
80130	307450	7/16	9/16	1/16	81280	909316	1-1/2	1-11/16	3/32	82360	553126	3-1/4	3-1/2	1/8
80140	304174	1/2	5/8	1/16	81290	308458	1-9/16	1-3/4	3/32	82370	313446	3-3/8	3-5/8	1/8
80180	311338	3/4	7/8	1/16	81300	338522	1-5/8	1-13/16	3/32	82380	911686	3-1/2	3-3/4	1/8
80220	314491	1	1-1/8	1/16	81310	313340	1-11/16	1-7/8	3/32	82390	310414	3-5/8	3-7/8	1/8
80230	909140	1-1/16	1-3/16	1/16	81330	319662	1-13/16	2	3/32	82400	305123	3-3/4	4	1/8
41120	909048	1/2	11/16	3/32	81340	313754	1-7/8	2-1/16	3/32	82430	911700	4-1/8	4-3/8	1/8
80170	301824	7/32	13/32	3/32	81380	314728	2-1/8	2-5/16	3/32	82440	326849	4-1/4	4-1/2	1/8
81080	333572	1/4	7/16	3/32	81400	308876	2-1/4	2-7/16	3/32	82460	326741	4-1/2	4-3/4	1/8
81090	909747	5/16	1/2	3/32	81440	908383	2-1/2	2-11/16	3/32	82480	313175	4-3/4	5	1/8
81100	303067	3/8	9/16	3/32	81450	338518	2-9/16	2-3/4	3/32	82520	910238	5-1/4	5-1/2	1/8
81100	329381	3/8	9/16	3/32	81550	908194	4	4-3/16	3/32	45230	301877	31/128	73/128	21/128
81110	303347	7/16	5/8	3/32	42140	909139	1	1-1/4	1/8	45230	326956	31/128	73/128	21/128
81120	339543	1/2	11/16	3/32	82030	305242	5/16	9/16	1/8	83200	319085	1-1/8	1-1/2	3/16
81140	326649	5/8	13/16	3/32	82080	305146	5/8	7/8	1/8	83250	318717	1-1/2	1-7/8	3/16
81140	329380	5/8	13/16	3/32	82100	310584	3/4	1	1/8	45080	925093	70mm	76mm	3mm
81140	909047	5/8	13/16	3/32	82130	320140	15/16	1-3/16	1/8	45200	318372	8mm	16mm	4mm
81160	310585	3/4	15/16	3/32	82140	302540	1	1-1/4	1/8					
81160	310967	3/4	15/16	3/32	82150	303360	1-1/16	1-5/16	1/8					

* Quad Ring



GLM Products, Inc.



Quality Replacement Parts for

Johnson® / Evinrude®

Replacement Gearcases & Identification.. 318-323
 Lower Gearcase Exploded Views 324-347
 Lower Gearcase Assembly Kits,
 Rebuild Kits & Seal Kits 348-349
 Lower Gear Housing Gears & Clutch Dog .. 350-353
 Gearcase Shift Components 354-355
 Prop Shaft Components, Hardware & Tools . 356-360
 Upper & Lower Drive Shaft Components.. 361-365
 Aluminum Anodes 366

Thermostats & Water Pumps 366-374
 Pistons 375-380
 Powerhead Bearings & Seals 381-384
 Fuel Pumps, Filters & Carb Parts 385-388
 Ignition & Electrical 389
 Powerhead Gaskets 390-395
 Marine Service Tools 396
 Oil Seal & O-ring Size Charts 397-398

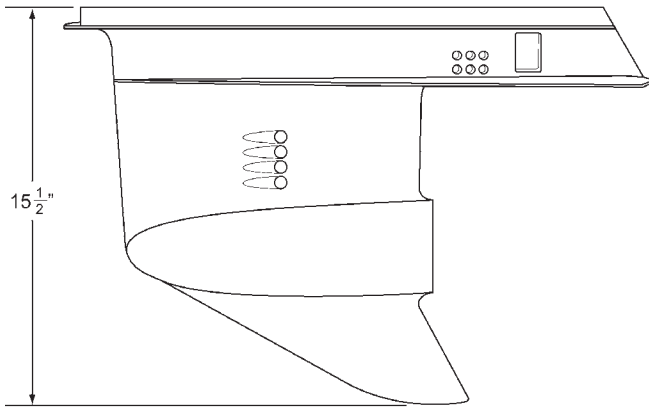
GLM Products, Inc.

2 & 3-CYL. LOOPCHARGED SMALL GEARCASE IDENTIFICATION

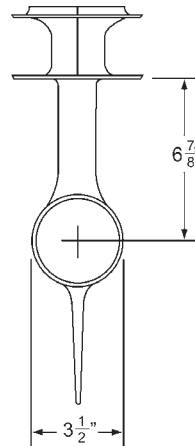
Small Gearcase "Old" Style (1975-1998)

Physical Characteristics:

- 15-1/2" tall.
- Straight at the trailing end of the gear housing and the fin.
- Pointed at the trailing end of the cavitation plate.
- Six holes above the cavitation plate.
- Internal water intake screens (four holes).
- No speedo pitot.



Side View



Rear View

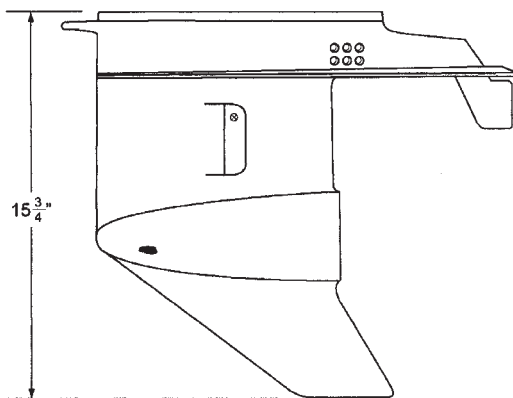


Top View

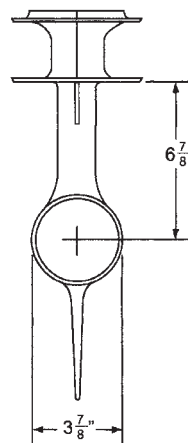
Small Gearcase "New" Style (1989-2005)

Physical Characteristics:

- 15-3/4" tall.
- Straight at the trailing end of the gear housing and the fin.
- Pointed at the trailing end of the cavitation plate.
- Six holes above the cavitation plate.
- External water intake screens.
- Includes speedo pitot.



Side View



Rear View



Top View

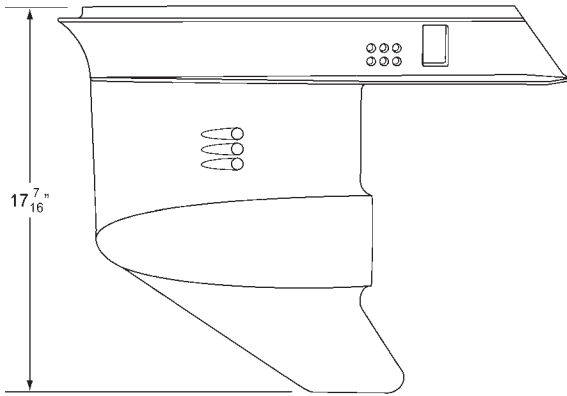
GLM Products, Inc.

2 & 3-CYL. LOOPCHARGED LARGE GEARCASE IDENTIFICATION

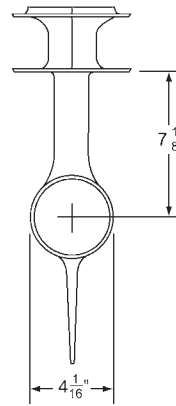
Large Gearcase (1975-2006)

Physical Characteristics:

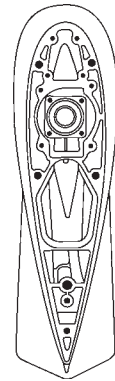
- 17-7/16" tall.
- Straight at the trailing end of the gear housing and the fin.
- Pointed at the trailing end of the cavitation plate.
- Six holes above the cavitation plate.
- Internal water intake screens (three holes).
- No speedo pitot.



Side View



Rear View



Top View



TOC

Manifolds-Merc.

Manifolds-OMC

Manifolds-Volvo

Manifolds-Barr

MerCruiser

Merc / Mar / For

OMC / Volvo

Johnson / Evin

Yamaha

Index / X-Ref.

Warranty

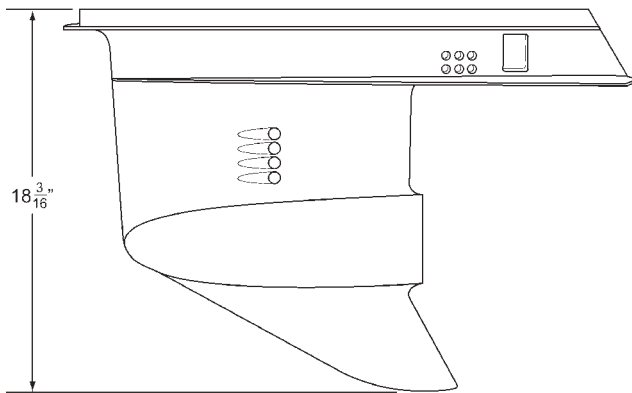
GLM Products, Inc.

V4 60° & V4 90° SMALL GEARCASE IDENTIFICATION

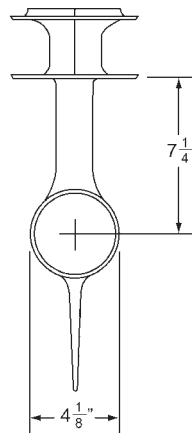
Small Gearcase V4 90° (1978-1998)

Physical Characteristics:

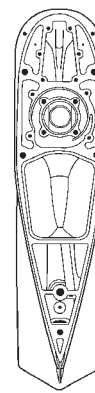
- 18-3/16" tall.
- Straight at the trailing end of the gear housing and the fin.
- Pointed at the trailing end of the cavitation plate.
- Six holes above the cavitation plate.
- Internal water intake screens (four holes).
- No pitot.



Side View



Rear View

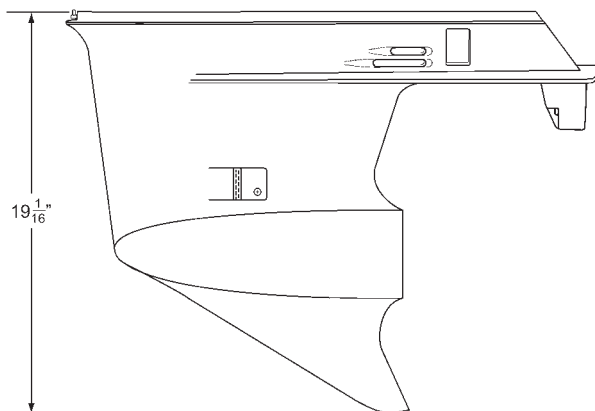


Top View

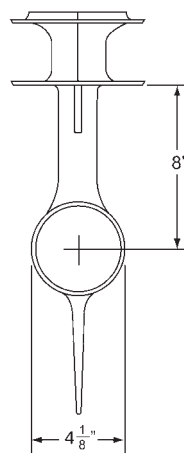
Small Gearcase V4 60° (1995-2006)

Physical Characteristics:

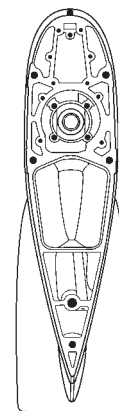
- 19-1/16" tall.
- Curved at the trailing end of the gear housing and the fin.
- Flat at the trailing end of the cavitation plate.
- Two slots above the cavitation plate.
- External water intake screens.



Side View



Rear View



Top View

TOC
Manifolds-Merc.
Manifolds-OMC
Manifolds-Volvo
Manifolds-Barr
MerCruiser
Merc / Mar / For
OMC / Volvo
Johnson / Evinr
Yamaha
Index / X-Ref.
Warranty

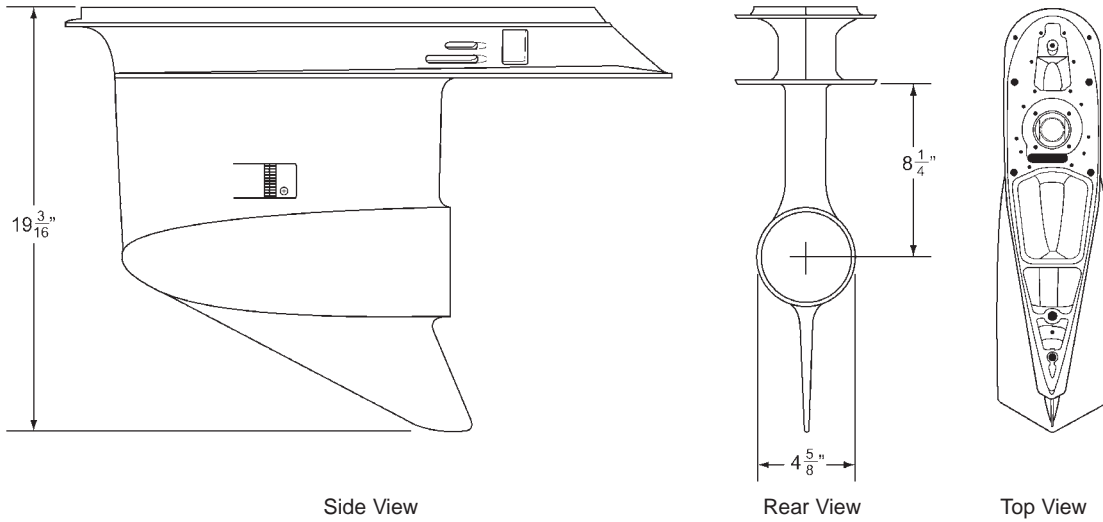
GLM Products, Inc.

V4/V6 LARGE GEARCASE IDENTIFICATION

Large Gearcase "O" Type V4 & V6 (1979-2006)

Physical Characteristics:

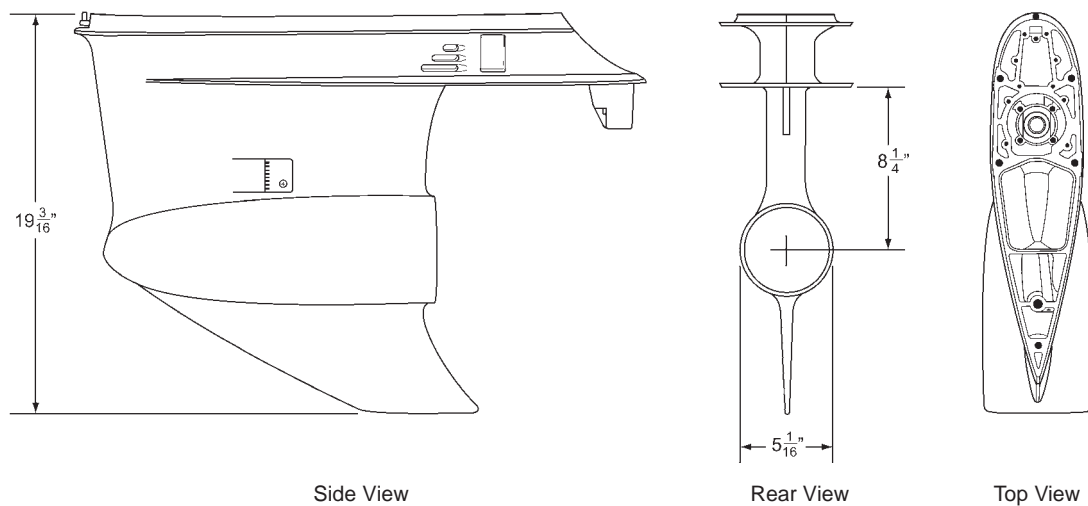
- 19-3/16" tall.
- Straight at the trailing end of the gear housing and the fin.
- Pointed at the trailing end of the cavitation plate.
- Two slots above the cavitation plate.
- External water intake screens.



Large Gearcase "M" Type V4 & V6 (2002-2006)

Physical Characteristics:

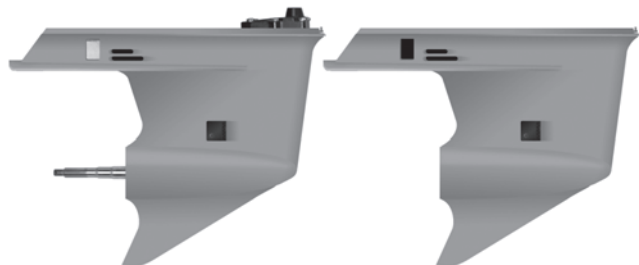
- 19-3/16" tall.
- Curved at the trailing end of the gear housing and the fin.
- Flat at the trailing end of the cavitation plate.
- Three slots above the cavitation plate.
- External water intake screens.
- Includes speedo pitot.



GLM Products, Inc.

Lower Gearcase - V4 60° Johnson / Evinrude (1995 & Up)

Sand Cast from Superior A356T5
Aluminum Alloy



Complete w/ GLM
Gear Set No. 22630

Empty Hsg.

Complete Lower Gearcase - V4 60° (1995 & Up)

GLM	OEM	Ratio	Year	Engine
28510	5004632	2:1	1995-2005 2004-2006	V4 60° w/ 20" Shaft 75 & 80 HP L3-Cyl., E-Tec w/ 20" Shaft

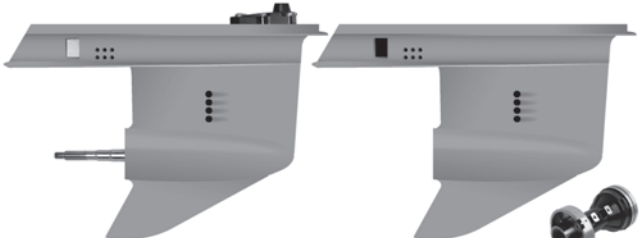
Lower Gearcase - Empty - V4 60° (1995 & Up)

GLM	OEM	Ratio	Year	Engine
28500	5004767	-	1995-2005 2004-2006	V4 60° w/ 20" Shaft 75 & 80 HP L3-Cyl., E-Tec w/ 20" Shaft

Gear Set No. 22630 = 2:1 Ratio (.50) w/ 13:26 Teeth. Comes w/ 22633 Clutch Dog.

Lower Gearcase - V4 90° Johnson / Evinrude (1978-1998)

Sand Cast from Superior A356T5
Aluminum Alloy



Complete w/ GLM
Gear Set No. 22630

Empty Hsg.
Must use Bearing Carrier No. 11388
w/ this empty gearcase

Complete Lower Gearcase - V4 90° (1978-1998)

GLM	OEM	Ratio	Year	Engine
28210	5000356	2:1	1995-2005 2004-2006	V4 60° w/ 20" Shaft 75 & 80 HP L3-Cyl., E-Tec w/ 20" Shaft

Lower Gearcase - Empty - V4 90° (1978-1998)

GLM	OEM	Ratio	Year	Engine
28200	431642	-	1978-1998	V4 90° - * Must use Bearing Carrier No. 11388 w/ Empty Gearcase

*Bearing Carrier for Empty Gearcase

GLM	OEM	Ratio	Year	Engine
11388	N/A	-	1978-1998	For V4 90° - Empty Gearcase

Gear Set No. 22630 = 2:1 Ratio (.50) w/ 13:26 Teeth. Comes w/ 22633 Clutch Dog.

Lower Gearcase - V4/V6 "O" Type Johnson / Evinrude (1978 & Up)

Sand Cast from Superior A356T5
Aluminum Alloy



Complete w/ GLM
Gear Set No. 22650 or
No. 22666 Heavy duty

Empty Hsg.

Complete Lower Gearcase Assemblies - V4

GLM	OEM	Ratio	Year	Engine
28880 w/out Speedo	5004639	2.25:1	1978-2006 1983-1996 1995-1998 1985-1998	V4 Crossflow 60° Loopcharged 90° Loopcharged

Gear Set No. 22650 = 2.25:1 Ratio (.44) w/ 12:27 Teeth. Comes w/ 22625 Clutch Dog.

Lower Gearcase - V4 - Empty

GLM	OEM	Ratio	Year	Engine
28800 w/out Speedo	439972 438048	-	1978-2006 1983-1996 1995-1998 1985-1998	V4 Crossflow 60° Loopcharged 90° Loopcharged

Complete Lower Gearcase Assemblies - V6

GLM	OEM	Ratio	Year	Engine
28810 w/out Speedo	5005401	1.83:1	1978-2006 1979-1992 1991-2005 1986-2005	V6 Crossflow 60° Loopcharged 90° Loopcharged

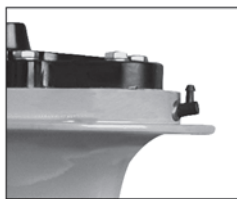
GLM	OEM	Ratio	Year	Engine
28710 with Speedo	5004635	1.83:1	1978-2006 1979-1992 1991-2001 1986-2001	V6 Crossflow 60° Loopcharged 90° Loopcharged

Gear Set No. 22666 = 1.83:1 Ratio (.55) w/ 12:22 Teeth. Without Clutch Dog.

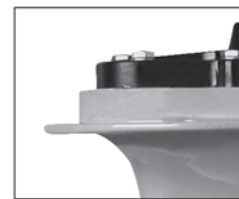
Lower Gearcase - V6 - Empty

GLM	OEM	Ratio	Year	Engine
28800 w/out Speedo	439972 438048	-	1978-2006 1979-1992 1991-2005 1986-2005	V6 Crossflow 60° Loopcharged 90° Loopcharged

GLM	OEM	Ratio	Year	Engine
28700 with Speedo	439973	-	1978-2006 1979-1992 1991-2001 1986-2001	V6 Crossflow 60° Loopcharged 90° Loopcharged



With Speedo



Without Speedo

GLM Products, Inc.

GEARCASE ASSEMBLY APPLICATION

Model	Year	Complete	Empty	Model	Year	Complete	Empty
V4 Crossflow 20"	1988-98	28210	28200	V6 Crossflow 20" & 90° Loopcharged	88-91	28710	28700
V4 Crossflow 25"	1988-91	28210	28200				
65 Jet (90 hp)	All	Not Serviced	-	V6 Crossflow 25" & 90° Loopcharged	88-91	28710	28700
100 WPL 20"	1999	28880	28800				
100 WPX 25"	1999	28880	28800	V6 Crossflow 20" & 90° Loopcharged C/R	88-91	-	28700
100 Comm. 20" Small	1992-97	28210	28200				
100 Comm. 20" Large	1988-97	28880	28800	V6 90° Loopcharged 20" w/ Internal Screens	92-99	28710	28700
100 Comm. 25" Large	1988-97	28880	28800				
100 WQL 20"	1998	28510	28500	V6 90° Loopcharged 20" w/ External Screens	92-99	28810	28800
100 WQX, 105 WEX 25"	1998	28880	28800				
105 Comm. WPL 20"	2000-01	28880	28800	V6 90° Loopcharged 25"	92-99	28810	28800
105 Comm. WPX 25"	2000-01	28880	28800	V6 90° Loopcharged 25" C/R	92-99	-	28800
105 Comm. WEL 20"	2000-01	28880	28800	V6 90° Loopcharged 30"	93-99	28810	28800
105 WEL 20"	1998	28880	28800	V6 90° Loopcharged 30" C/R	93-99	-	28800
105 WRL 20"	1997-98	28880	28800	200 Comm. 20"	93-99	28810	28800
105 WRX 25"	1997-98	28880	28800	200 Comm. 25"	93-99	28810	28800
105 RWL 20"	1998	28880	28800	V8 20"	88-98	-	-
105 RWY 22.5"	1998	28880	28800	V8 25"	88-98	-	-
105 RWX 25"	1998	28880	28800	V8 30"	93-96	-	-
115 FPL/FSL 20"	1999-05	28510	28500	V8 20" C/R	90-96	-	-
115 FPX/FX 25"	2000-01	28880	28800	V8 25" C/R	88-98	-	-
80 Jet (115 hp)	All	Not Serviced	-	V8 30" C/R	93-96	-	-
120/140 20"	1988-94	28210	28200				
120 25"	1988-94	28210	28200				
125 RWL 20"	1995-97	28880	28800				
125 RWY 22.5"	1995-98	28880	28800				
125 WTPL 20"	1992-98	28880	28800				
125 WTPX 25"	1988-98	28880	28800				
125 ESX	1989-91	28210	28200				
125 ESX Club Nautico	1992-94	28210	28200				
130 20"	1995-98	28880	28800				
130 25"	1995-98	28880	28800				
130 25" C/R	1995-97	-	28800				
135 FPL/FL 20"	2000-01	28710	28700				
135 FSL/FS 20"	2000-01	28810	28800				
135 FPX/FX 25"	2000-01	28810	28800				
140 25"	1988-94	28880	28800				
140 25" C/R	1988-94	-	28700				
V4 60° Loopcharged 20" GL W/ Pitot Hole	1995-06	28510	28500				
V4 60° Loopcharged 20" (Use Pitot Style)	1995-06	28510	28500				
V4 60° Loopcharged 25"	1995-06	28880	28800				
V6 60° Loopcharged 20" W/ External Screens	1995-00	28810	28800				
V6 60° Loopcharged 25" W/ External Screens	1991-99	28810	28800				
V6 60° Loopcharged 25" C/R	1992-99	-	28800				
105 Jet (150 HP)	All	Not Serviced	-				
150 Comm. 20"	1993-99	28810	28800				
150 Comm. 25"	1993-99	28810	28800				
155 Comm. 20"	1988-92	28810	28800				
155 Comm. 25"	1988-92	28810	28800				

TOC

Manifolds-Merc.

Manifolds-OMC

Manifolds-Volvo

Manifolds-Barr

MerCruiser

Merc / Mar / For

OMC / Volvo

Johnson / Evin

Yamaha

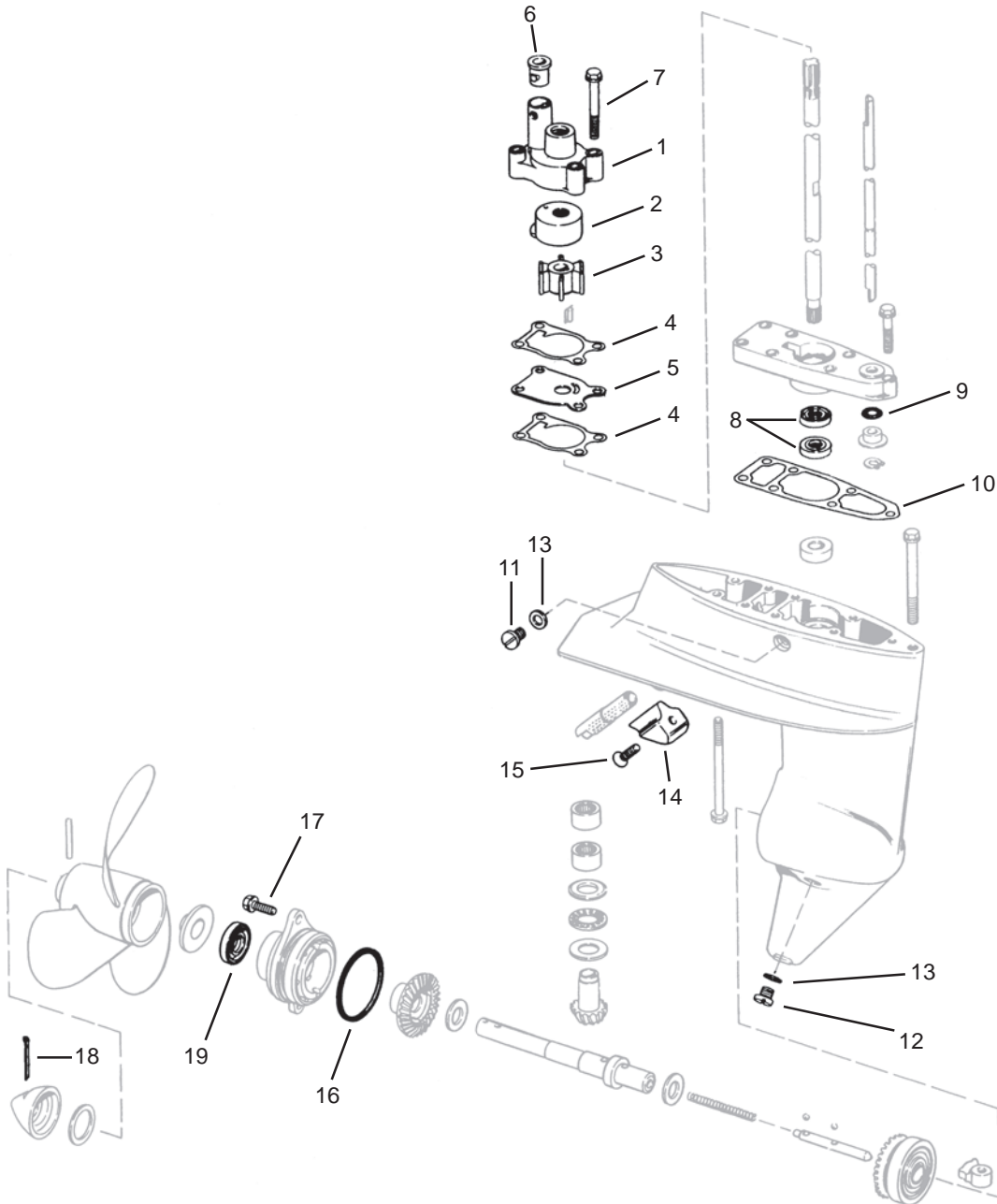
Index / X-Ref.

Warranty

GLM Products, Inc.

LOWER GEARCASE - 4, 4.5, 5, 6, 7.7 & 8 HP (1980 & Up)

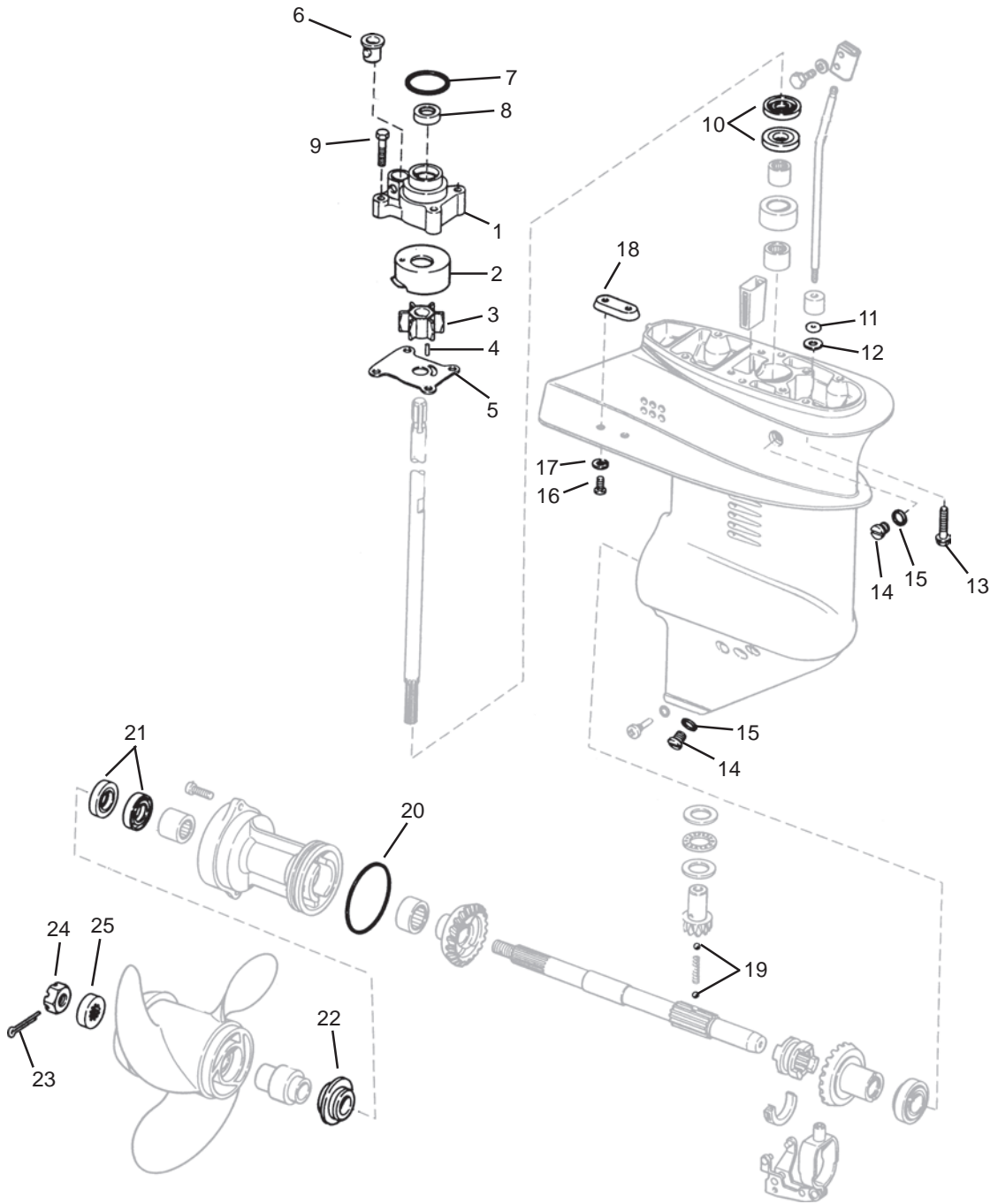
Fits Models:
2-Stroke
(1980 & Up)



GLM Products, Inc.

LOWER GEARCASE - 9.9-15 HP w/ THRU-PROP EXHAUST (1974 & Up)

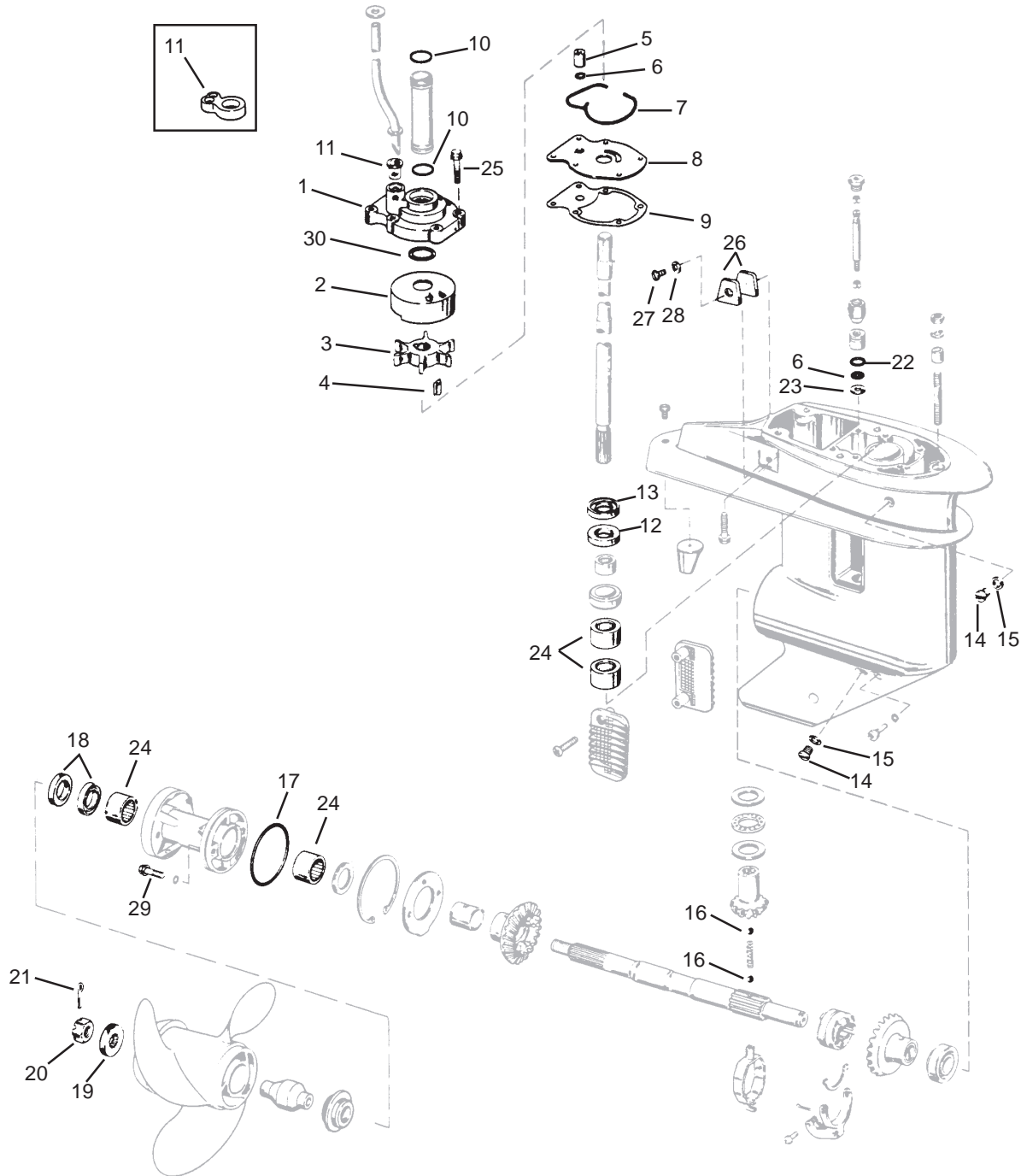
Fits Models:
2-Cylinder, 2-Stroke
(1974 & Up)



GLM Products, Inc.

LOWER GEARCASE - 20-35 HP w/ THRU PROP-EXHAUST

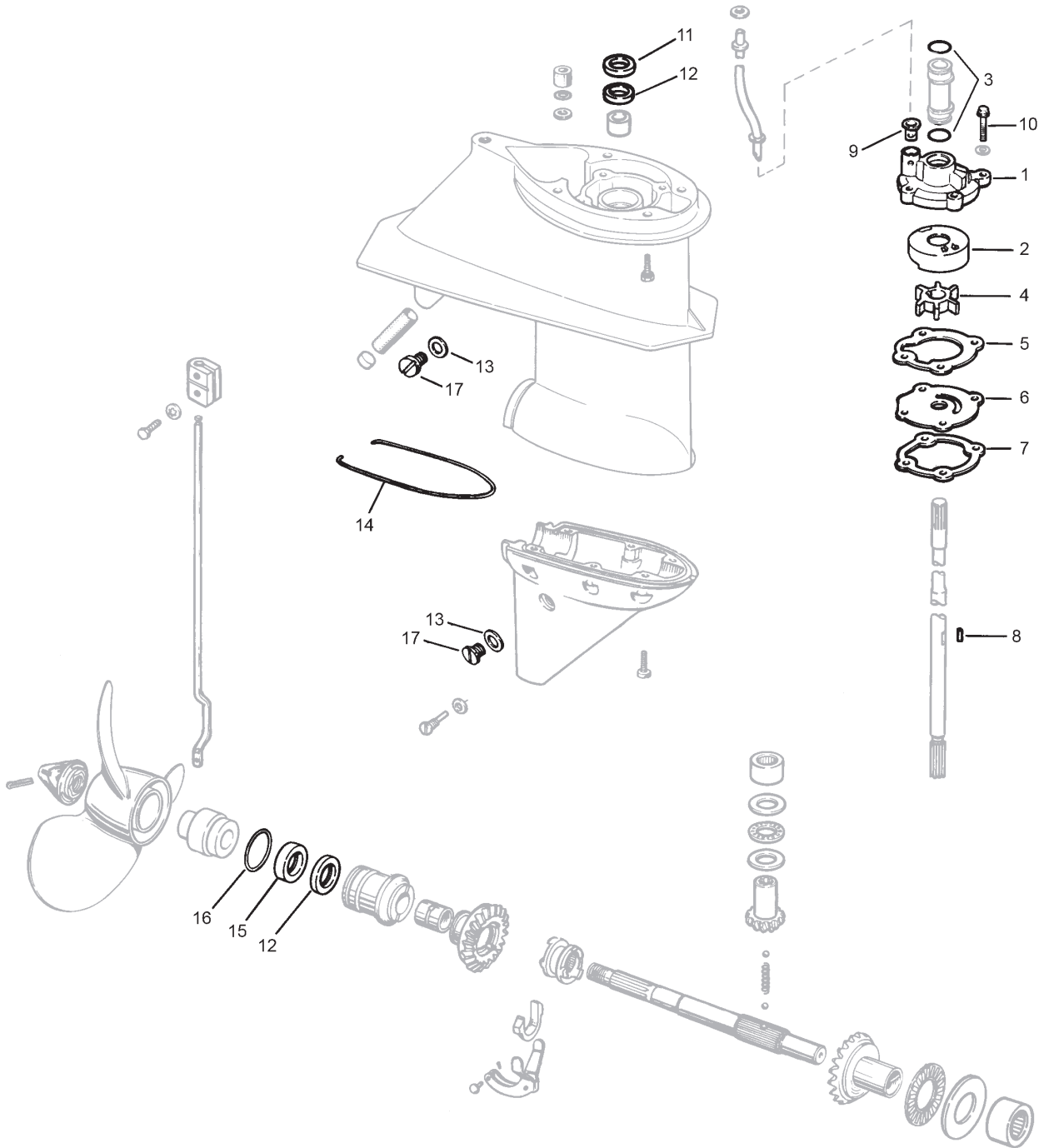
Fits Models:
 2-Cylinder, Crossflow
 20-35 HP (1980-05) &
 3-Cylinder, Loopcharged
 25-35 HP (1996-01)



GLM Products, Inc.

LOWER GEARCASE - CROSSFLOW - THRU-CAVITATION PLATE EXHAUST

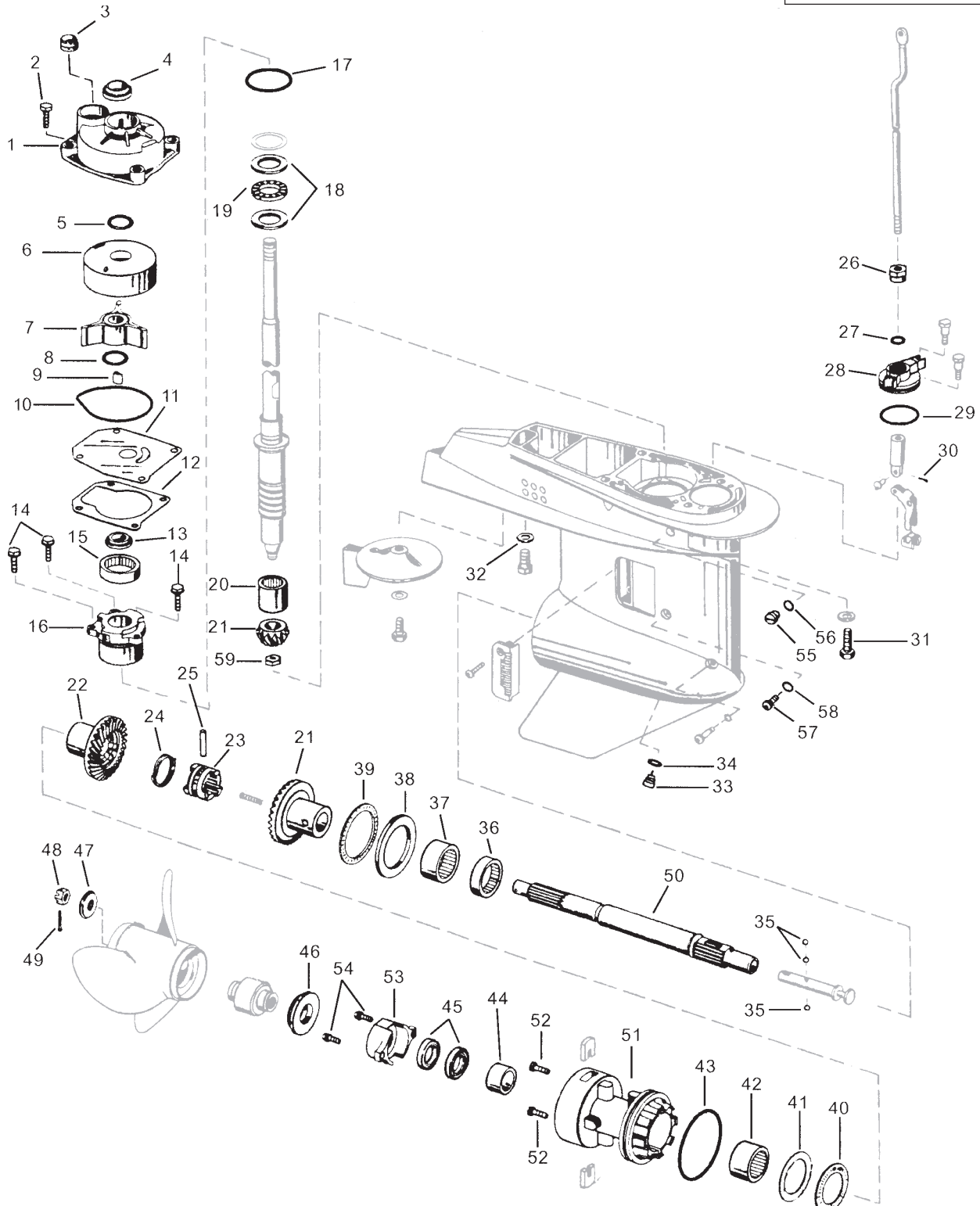
Fits Models:
2-Cylinder, Crossflow
25-28 HP, (1978-1997)



GLM Products, Inc.

LOWER GEARCASE - LOOPCHARGED - SMALL

Fits Models:
2-Cylinder, Loopcharged
40-50 HP (1989-2005)



TOC

Manifolds-Merc.

Manifolds-OMC

Manifolds-Volvo

Manifolds-Barr

MerCruiser

Merc / Mar / For

OMC / Volvo

Johnson / Evin

Yamaha

Index / X-Ref.

Warranty

GLM Products, Inc.

LOWER GEARCASE - LOOPCHARGED - SMALL

Ref No.	GLM No.	OEM No.	Description	Ref No.	GLM No.	OEM No.	Description
1	12480	438544	Pump Housing (1989-98)	49	22120	314502	Cotter Pin
1	12482	438545	Pump Hsg. (1995-01) (2004-05)	50	22421	439138	Prop Shaft
2	22360	302325	Screw	51	11416	432276	Bearing Carrier
3	86497	333758	Grommet	52	22395	328744	Screw
4	86491	341732	Grommet	53	12742	398873	Anode
5	82100	310584	O-ring	54	22392	328694	Screw
6	12815	340619	Pump Cup	55	22393	309243	Screw
7	89790	432941	Impeller (1989-1994)	56	45290	336982	O-ring
7	89460	437059	Impeller (1995-2002)	57	22394	324852	Screw
8	81250	331188	O-ring	58	80100	305739	Seal
9	89592	334897	Key	59	11192	313339	Pinion Nut
10	86570	324981	Seal				
11	12551	341038	Wear Plate				
12	33150	336530	Gasket				
13	86013	342786	Oil Seal				
14	22362	317624	Screw				
15	11422	398874	Bearing				
16	27790	435274	Bearing Housing Assembly				
17	82250	310327	O-ring				
18	21649	333771	Thrust Washer				
19	16370	398901	Thrust Bearing				
20	11430	382343	Bearing				
21	22661	397627	Gear Set				
22	22662	332489	Reverse Gear				
23	22663	332491	Clutch Dog				
24	11051	320311	Spring				
25	21133	320310	Cross Pin				
26	27942	333780	Bushing				
27	45200	318372	O-ring				
28	27940	434588	Cover & Bushing Assembly				
29	82230	913921	O-ring				
30	22145	306376	Cotter Pin				
31	22329	305282	Screw				
32	21674	330265	Washer				
33	21731	318544	Draining Screw				
34	31171	311598	Gasket				
35	22490	316506	Ball				
36	22940	432264	Bearing				
37	22870	382407	Bearing				
38	21648	333725	Thrust Washer				
39	16360	397538	Thrust Bearing				
40	16350	397537	Thrust Bearing				
41	21647	332514	Thrust Washer				
42	22890	386764	Bearing				
43	82360	553126	O-ring				
44	22900	386765	Bearing				
45	86060	321467	Oil Seal				
46	22240	320305	Thrust Washer				
47	22250	315810	Prop Spacer				
48	22150	314503	Prop Nut				

TOC

Manifolds-Merc.

Manifolds-OMC

Manifolds-Volvo

Manifolds-Barr

MerCruiser

Merc / Mar / For

OMC / Volvo

Johnson / Evin

Yamaha

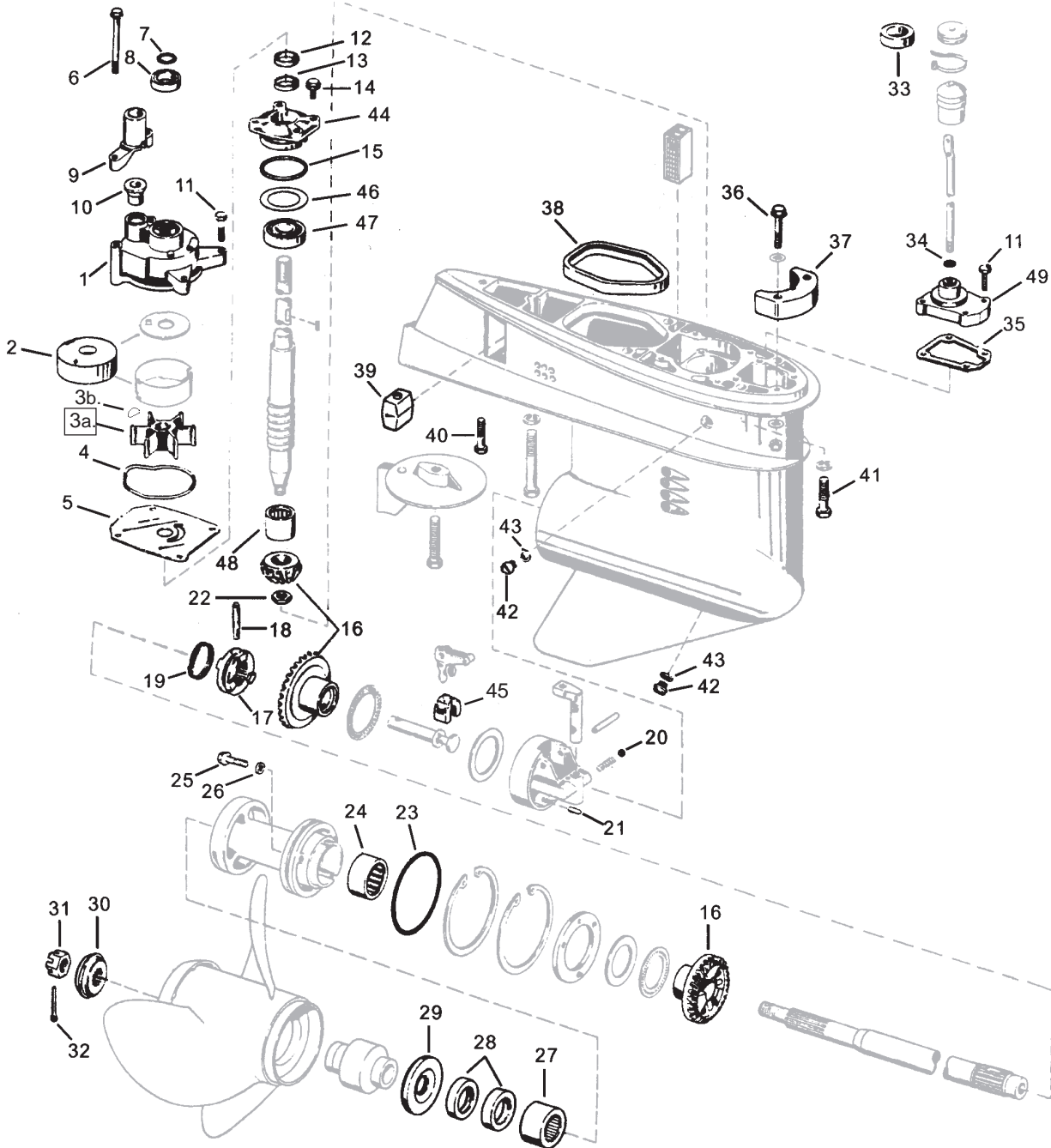
Index / X-Ref.

Warranty

GLM Products, Inc.

LOWER GEARCASE - LOOPCHARGED - SMALL

Fits Models:
 2-Cylinder, Loopcharged
 40-60 HP (1975-1988) &
 3-Cylinder, Loopcharged
 60-75 HP (1975-1988)



GLM Products, Inc.

LOWER GEARCASE - LOOPCHARGED - SMALL

Ref No.	GLM No.	OEM No.	Description	Ref No.	GLM No.	OEM No.	Description
1	12450	384087	Pump Housing	46	23530	320166	Shim .003
2	12814	320775-6	Pump Cup	46	23540	320167	Shim .004
3a.	89660	377230	Impeller (1975-1978)	46	23550	320168	Shim .005
3b.	89595	308928	Key (1975-1978)	47	21511	385175	Bearing
3a.	89780	396809	Impeller (1979-1988)	48	11423	386766	Pinion Bearing
3b.	89591	331901	Key, White (1979-1988)	49	27756	387336	Cover & Seal Assembly
3b.	89593	344470	Key, Black (1979-1988)				
4	86580	315788	Seal				
5	12620	320981	Wear Plate				
6	22324	331980	Screw				
7	81120	303059	O-ring				
8	86491	341732	Grommet				
9	12940	315838	Tube Guide				
10	86494	315837	Grommet				
11	22360	302325	Screw				
12	86460	332205	Oil Seal				
13	86160	321466	Oil Seal				
12,13	86013	342786	Oil Seal (one piece)				
14	22327	909386	Screw				
15	82240	302588	O-ring				
16	22681	433570	Gear Set				
17	22683	319895	Clutch Dog				
18	22044	320310	Cross Pin				
19	11051	320311	Spring				
20	22491	160084	Detent Ball				
21	21138	331880	Pin				
22	11192	313339	Pinion Nut				
23	82320	320303	O-ring				
24	22890	386764	Bearing				
25	22400	320041	Screw				
26	80100	332584	O-ring				
27	22900	386765	Bearing				
28	86060	321467	Oil Seal				
29	22240	320305	Thrust Washer				
30	22250	315810	Prop Spacer				
31	22150	314503	Prop Nut				
32	22120	314502	Cotter Pin				
33	86140	305762	Grommet				
34	45200	318372	O-ring				
35	33420	314082	Gasket				
36	22322	324430	Screw				
37	12738	392462	Anode				
38	86210	324937	Seal				
39	12776	436745	Anode				
40	22366	328096	Screw				
41	22329	305282	Screw				
42	22420	307551	Screw				
43	31171	311598	Gasket				
44	22728	387067	Bearing Housing & Seal				
45	27730	334163	Cradle				

TOC

Manifolds-Merc.

Manifolds-OMC

Manifolds-Volvo

Manifolds-Barr

MerCruiser

Merc / Mar / For

OMC / Volvo

Johnson / Evin

Yamaha

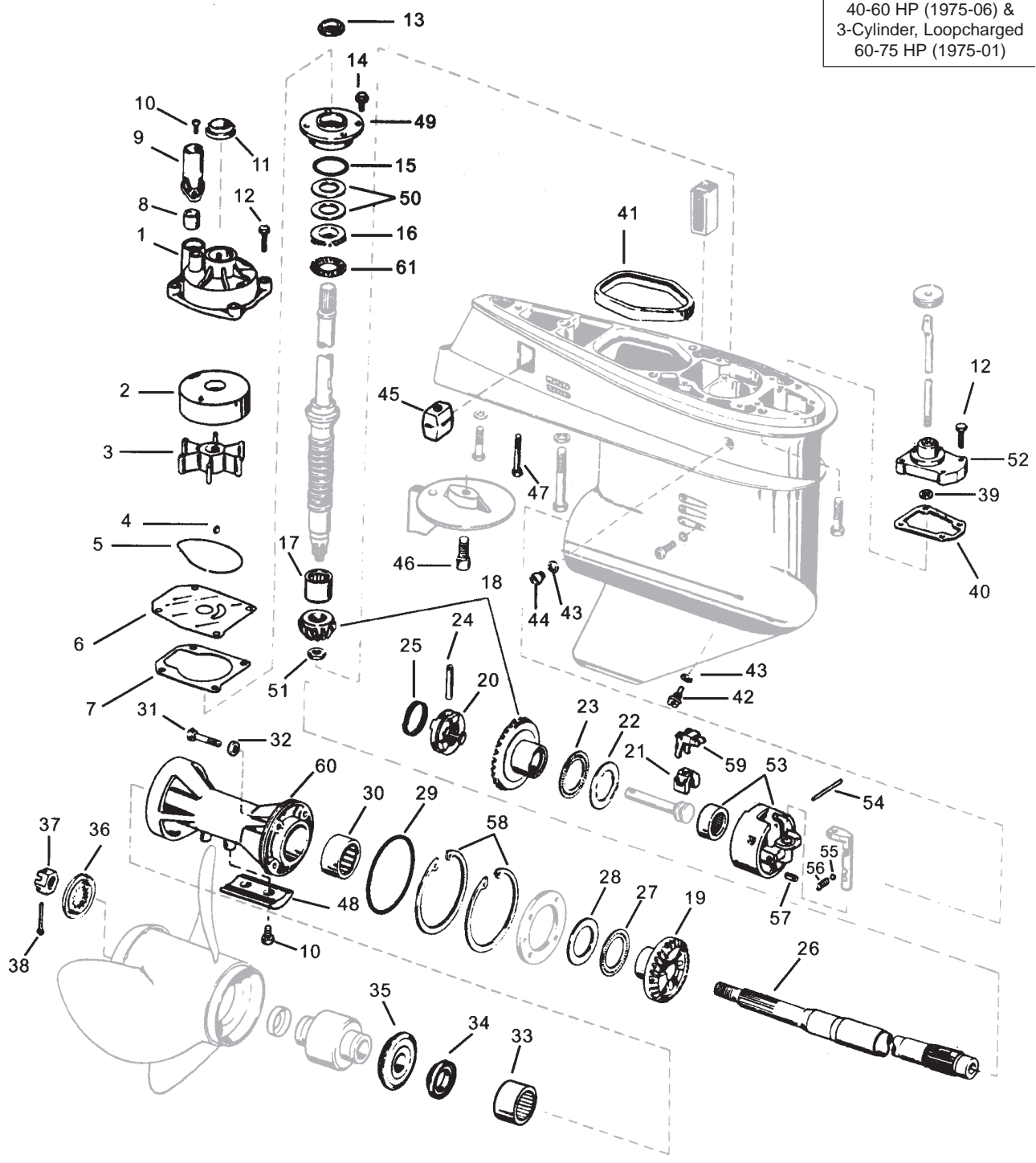
Index / X-Ref.

Warranty

GLM Products, Inc.

LOWER GEARCASE - LOOPCHARGED - LARGE

Fits Models:
2-Cylinder, Loopcharged
40-60 HP (1975-06) &
3-Cylinder, Loopcharged
60-75 HP (1975-01)



TOC

Manifolds-Merc.

Manifolds-OMC

Manifolds-Volvo

Manifolds-Barr

MerCruiser

Merc / Mar / For

OMC / Volvo

Johnson / Evin

Yamaha

Index / X-Ref.

Warranty

GLM Products, Inc.

LOWER GEARCASE - LOOPCHARGED - LARGE

Ref No.	GLM No.	OEM No.	Description	Ref No.	GLM No.	OEM No.	Description
1	12400	438543	Pump Housing	47	22366	328096	Screw
2	12815	340619	Pump Cup	48	12737	431708	Anode
3	89940	382547	Impeller (1975-1978)	49	22722	385087	Bearing Housing & Seal
3	89710	396725	Impeller (1979-2006)	49	22726	435519	Bearing Housing & Seal
4	89595	308928	Key (1975-1978)	50	23600	323889	Shim .003
4	89591	331901	Key, White (1979-2006)	50	23610	323890	Shim .004
4	89592	334897	Key, Black (1979-2006)	50	23620	317232	Shim .005
5	34330	319586	Gasket (1975-1978)	51	11192	313339	Pinion Nut
5	86570	324981	Seal (1979-2006)	52	27754	388651	Cover & Seal Assembly
6	12551	341038	Wear Plate	53	27702	391365	Housing & Bearing Assembly
7	33150	336530	Gasket	54	21105	320145	Pin
8	86490	314008	Grommet	55	22493	327345	Detent Ball
9	12950	319276	Tube Guide	56	11039	911961	Spring
10	22320	908158	Screw	57	21138	331880	Pin
11	86491	341732	Grommet	58	21774	313445	Retaining ing
12	22360	302325	Screw	59	27741	324037	Lever
13	86013	342786	Oil Seal	60	11390	434391	Bearing Carrier
14	22327	909386	Screw	61	16320	385068	Thrust Bearing
15	81340	313754	O-ring				
16	21643	317230	Thrust Washer				
17	11430	382343	Bearing				
18	22671	397338	Gear Set				
19	22672	318304	Reverse Gear				
20	22673	318303	Clutch Dog				
21	27730	334163	Cradle				
22	21644	324766	Thrust Washer				
23	16310	385043	Thrust Bearing				
24	21135	313448	Cross Pin				
25	11052	324369	Spring				
26	22418	439185	Prop Shaft				
27	16300	382408	Thrust Bearing				
28	21641	313447	Thrust Washer				
29	82370	313446	O-ring				
30	22870	382407	Bearing				
31	22400	320041	Screw				
32	81100	332584	O-ring				
33	22860	379504	Bearing				
34	86030	330137	Oil Seal				
35	22230	127084	Thrust Washer				
36	22250	315810	Prop Spacer				
37	22150	314503	Prop Nut				
38	22120	314502	Cotter Pin				
39	45200	318372	O-ring				
40	33420	314082	Gasket				
41	86210	324937	Seal				
42	21731	318544	Draining Screw				
43	31170	311598	Gasket				
44	22420	307551	Screw				
45	12776	436745	Anode				
46	22368	313715	Screw				

TOC

Manifolds-Merc.

Manifolds-OMC

Manifolds-Volvo

Manifolds-Barr

MerCruiser

Merc / Mar / For

OMC / Volvo

Johnson / Evin

Yamaha

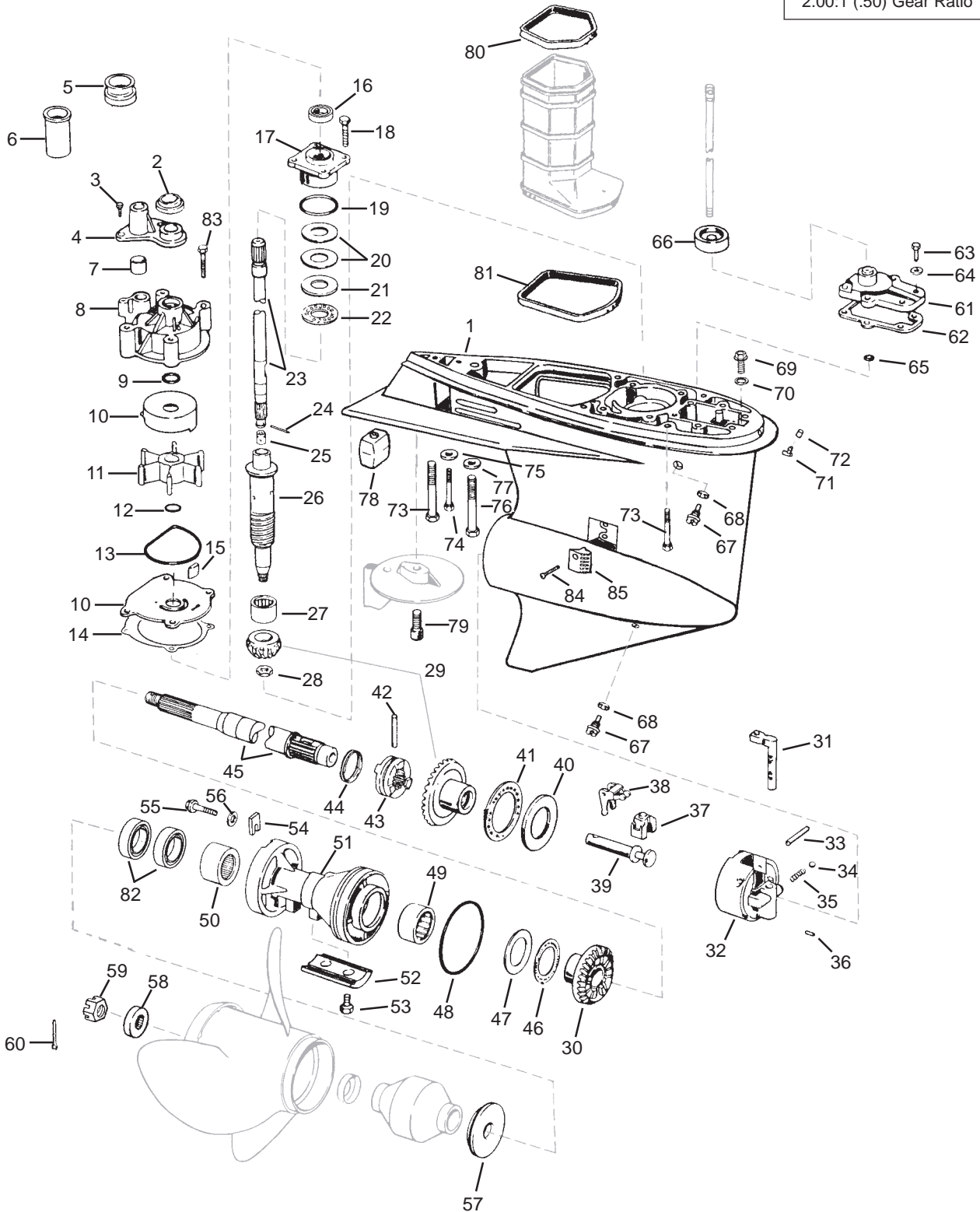
Index / X-Ref.

Warranty

GLM Products, Inc.

LOWER GEARCASE - V4 60° (1995-2006)

Fits Models:
 V4 60° (1995-06)
 2.00:1 (.50) Gear Ratio



GLM Products, Inc.

LOWER GEARCASE - V4 60° (1995-2006)

Ref No.	GLM No.	OEM No.	Description	Ref No.	GLM No.	OEM No.	Description
1	28500	5004767	Gearcase Assembly	46	16300	382408	Thrust Bearing
2	86480	320943	Grommet	47	21642	314731	Thrust Washer
3	22370	306643	Screw	48	82370	313446	O-ring
4	12570	338893	Tube Guide	49	22870	382407	Bearing
5	86495	338601	Grommet	50	22860	379504	Bearing
6	12827	338636	Tube Spacer (Short)	51	11398	5000440	Bearing Carrier
7	86490	314008	Grommet	52	12737	431708	Anode
8	12430	435959	Pump Housing (25" Transom)	53	22320	908158	Screw
				54	27850	333957	Tab
8	12395	435990	Pump Housing (20" Transom)	55	22373	350271	Screw
				56	21659	328743	Washer
9	81250	331188	O-ring	57	22230	127084	Thrust Washer (3-Blade)
10	12880	435027	Cup & Plate Assembly	58	22250	315810	Spacer
11	89570	435821	Impeller	59	22150	314503	Prop Nut
12	82120	302035	O-ring	60	22120	314502	Cotter Pin
13	86660	331353	Seal	61	27752	5006241	Cover & Seal Assembly
14	33730	338484	Gasket	62	33020	324670	Gasket
15	89590	331107	Key	63	22360	302325	Screw
16	86011	341280	Oil Seal	64	21678	328702	Washer
17	22720	439476	Bearing Housing & Seal	65	45200	318372	O-ring
18	22362	317624	Screw	66	86500	321008	Grommet
19	81380	314728	O-ring	67	21731	318544	Draining Screw
20	23590	323362	Shim .003	68	31171	311598	Gasket
20	23580	323361	Shim .004	69	22374	341220	Screw
20	23510	314745	Shim .005	70	21677	437330	Seal Washer
21	21645	327656	Thrust Washer	71	28352	336535	Nipple
22	16330	387656	Thrust Bearing	72	28353	305749	Cap
23	22435	5000615	Drive Shaft	73	22371	331999	Screw
24	21139	311538	Pin	74	22327	909386	Screw
25	28351	338504	Retainer	75	21763	307161	Lockwasher
26	22405	346004	Lower Drive Shaft	76	22458	331998	Screw
27	22880	384195	Pinion Bearing	77	21674	330265	Washer
28	11190	314730	Nut	78	12776	436745	Anode
29	22631	436746	P / Forward Gear Set	79	22368	313715	Screw
30	22632	345992	Reverse Gear	80	85830	320936	Seal
31	27720	915954	Detent	81	85840	320961	Seal
32	27702	391365	Housing & Bearing Assembly	82	86030	330137	Oil Seal
33	21105	320145	Pin	83	22360	302325	Screw
34	22493	327345	Detent Ball	84	22363	337061	Screw
35	11039	911961	Spring	85	21885	337778	Screen
36	21138	331880	Pin				
37	27730	334163	Cradle				
38	27741	324037	Lever				
39	27710	322941	Shaft				
40	21644	324766	Thrust Washer				
41	16310	385043	Thrust Bearing				
42	21135	313448	Pin				
43	22633	323664	Clutch Dog				
44	11052	324369	Spring				
45	22419	436834	Prop Shaft				

TOC

Manifolds-Merc.

Manifolds-OMC

Manifolds-Volvo

Manifolds-Barr

MerCruiser

Merc / Mar / For

OMC / Volvo

Johnson / Evin

Yamaha

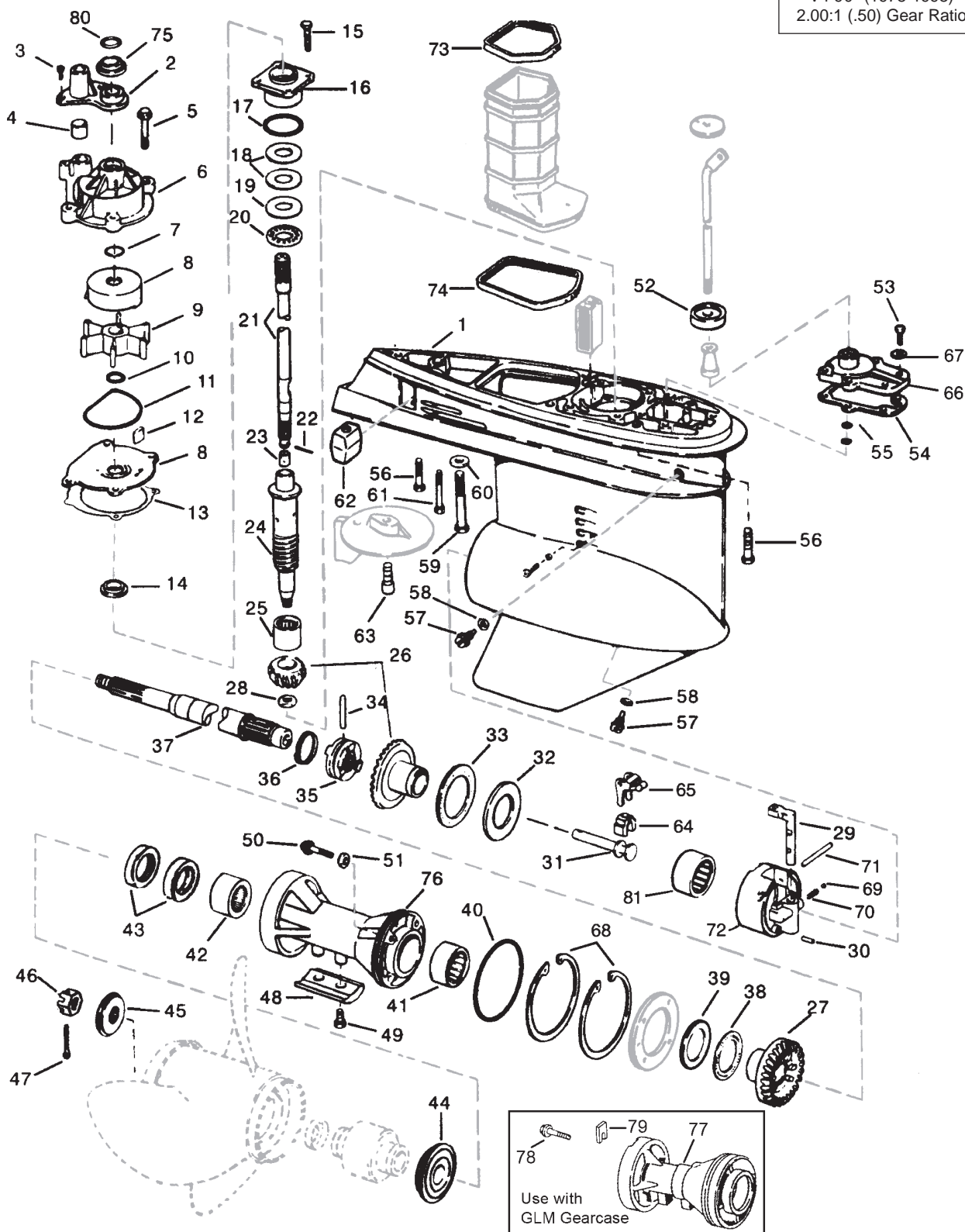
Index / X-Ref.

Warranty

GLM Products, Inc.

LOWER GEARCASE - V4 90° (1978-1998)

Fits Models:
V4 90° (1978-1998)
2.00:1 (.50) Gear Ratio



TOC

Manifolds-Merc.

Manifolds-OMC

Manifolds-Volvo

Manifolds-Barr

MerCruiser

Merc / Mar / For

OMC / Volvo

Johnson / Evin

Yamaha

Index / X-Ref.

Warranty

GLM Products, Inc.

LOWER GEARCASE - V4 90° (1978-1998)

Ref No.	GLM No.	OEM No.	Description	Ref No.	GLM No.	OEM No.	Description
1	28200	431642	Gearcase Assembly	43	86030	330137	Oil Seal
2	12570	338893	Tube Guide	44	22230	127084	Thrust Washer
3	22370	306643	Screw	45	22250	315810	Spacer
4	86490	314088	Grommet	46	22150	314503	Nut
5	22360	302325	Screw	47	22120	314502	Cotter Pin
6	12430	435959	Pump Housing (25" Transom)	48	12737	431708	Anode
				49	22320	908158	Screw
6	12395	435990	Pump Housing (20" Transom)	50	22300	316563	Screw & Seal
				51	86640	332583	Seal
7	81250	331188	O-ring	52	86500	321008	Grommet
8	12880	435027	Cup & Plate Assembly	53	22360	302325	Screw
9	89570	5001593	Impeller	54	33020	324670	Gasket
10	82120	302035	O-ring	55	45200	318372	O-ring
11	86660	331353	Seal	56	22371	331999	Screw
12	89590	331107	Key	57	21731	318544	Draining Screw
13	33730	338484	Gasket	58	31171	311598	Gasket
14	86011	341280	Oil Seal	59	22365	331998	Screw
15	22362	317624	Screw	60	21674	330265	Washer
16	22720	439476	Bearing Housing & Seal	61	22366	328096	Screw
17	81380	314728	O-ring	62	12776	436745	Anode
18	23590	323362	Shim .003	63	22368	313715	Screw
18	23580	323361	Shim .004	64	27730	334163	Cradle
18	23510	314745	Shim .005	65	27741	324037	Lever
19	21645	327656	Thrust Washer	66	27752	5006241	Cover & Seal Assembly
20	16330	387656	Thrust Bearing	67	21678	328702	Washer
21	22431	5000618	Drive Shaft (L)	68	21774	313445	Retaining Ring
21	22433	5000614	Drive Shaft (L)	69	22493	327345	Detent Ball
21	22432	5000626	Drive Shaft (XL)	70	11039	911961	Spring
21	22434	5000623	Drive Shaft (XL)	71	21105	320145	Pin
22	21139	311538	Pin	72	27702	391365	Housing & Bearing Assembly
23	28351	338504	Retainer	73	85830	320936	Seal
24	22409	346006	Lower Drive Shaft	74	85840	320961	Seal
25	22880	384195	Pinion Bearing	75	86480	320943	Grommet
26	22631	436746	P / Forward Gear Set	76	11392	397087	Bearing Carrier
27	22632	340490	Reverse Gear	77	11388	GLM	Bearing Carrier
28	11190	314730	Nut	78	22373	350271	Screw
29	27720	915954	Detent	79	27850	333957	Tab
30	21138	331880	Pin	80	81165	310585	O-ring
31	27710	322941	Shaft	81	22870	382407	Bearing
32	21644	324766	Thrust Washer				
33	16310	385043	Thrust Bearing				
34	21135	313448	Cross Pin				
35	22633	323664	Clutch Dog				
36	11052	324369	Spring				
37	22416	436888	Prop Shaft				
38	16300	382408	Thrust Bearing				
39	21642	314731	Thrust Washer				
40	82370	313446	O-ring				
41	22870	382407	Bearing				
42	22860	379504	Bearing				

TOC

Manifolds-Merc.

Manifolds-OMC

Manifolds-Volvo

Manifolds-Barr

MerCruiser

Merc / Mar / For

OMC / Volvo

Johnson / Evin

Yamaha

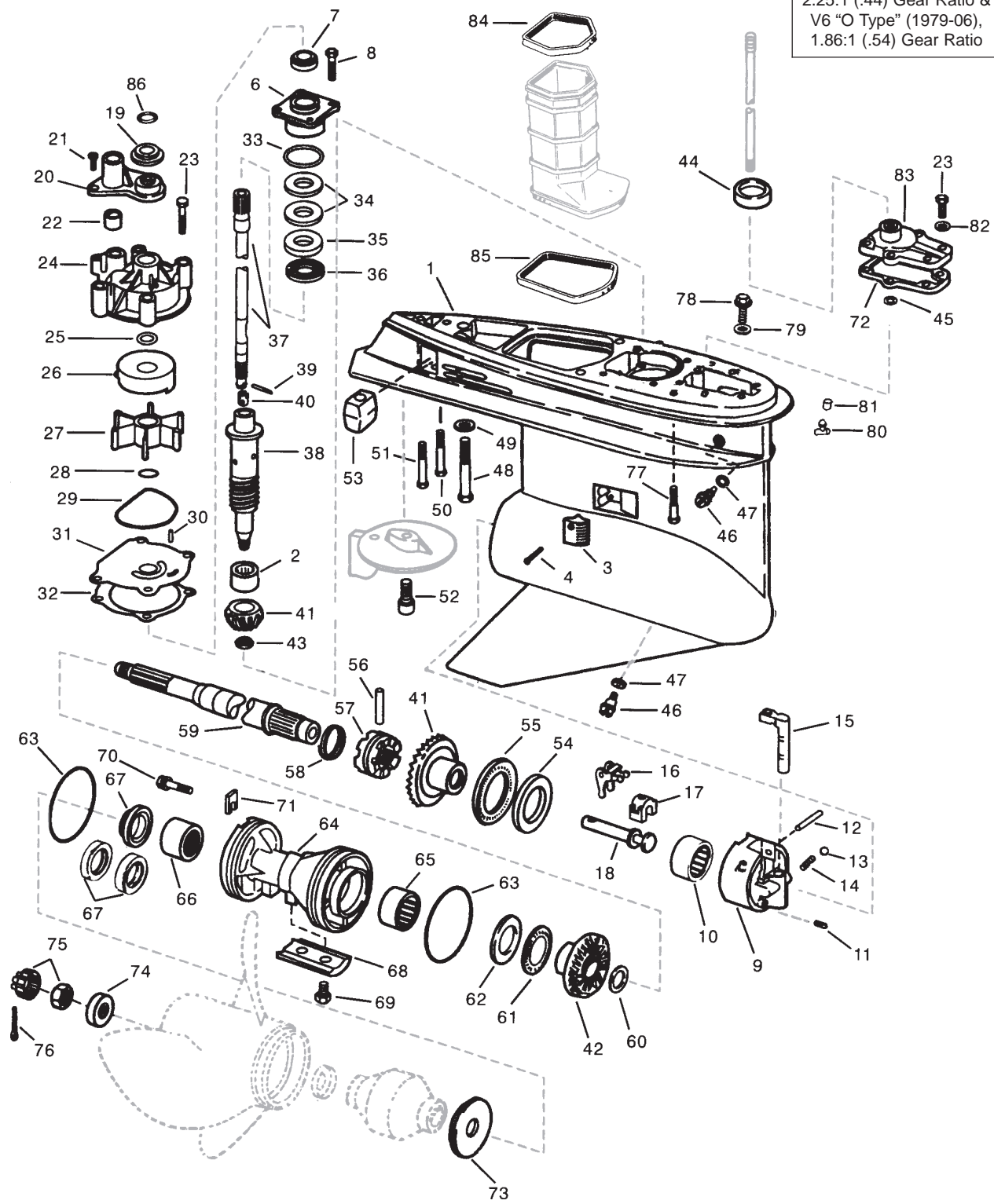
Index / X-Ref.

Warranty

GLM Products, Inc.

LOWER GEARCASE - V4/V6 "O" TYPE (1979-2006)

Fits Models:
 V4 "O Type" (1979-06),
 2.25:1 (.44) Gear Ratio &
 V6 "O Type" (1979-06),
 1.86:1 (.54) Gear Ratio



TOC

Manifolds-Merc.

Manifolds-OMC

Manifolds-Volvo

Manifolds-Bar

MerCruiser

Merc / Mar / For

OMC / Volvo

Johnson / Evin

Yamaha

Index / X-Ref.

Warranty



GLM Products, Inc.

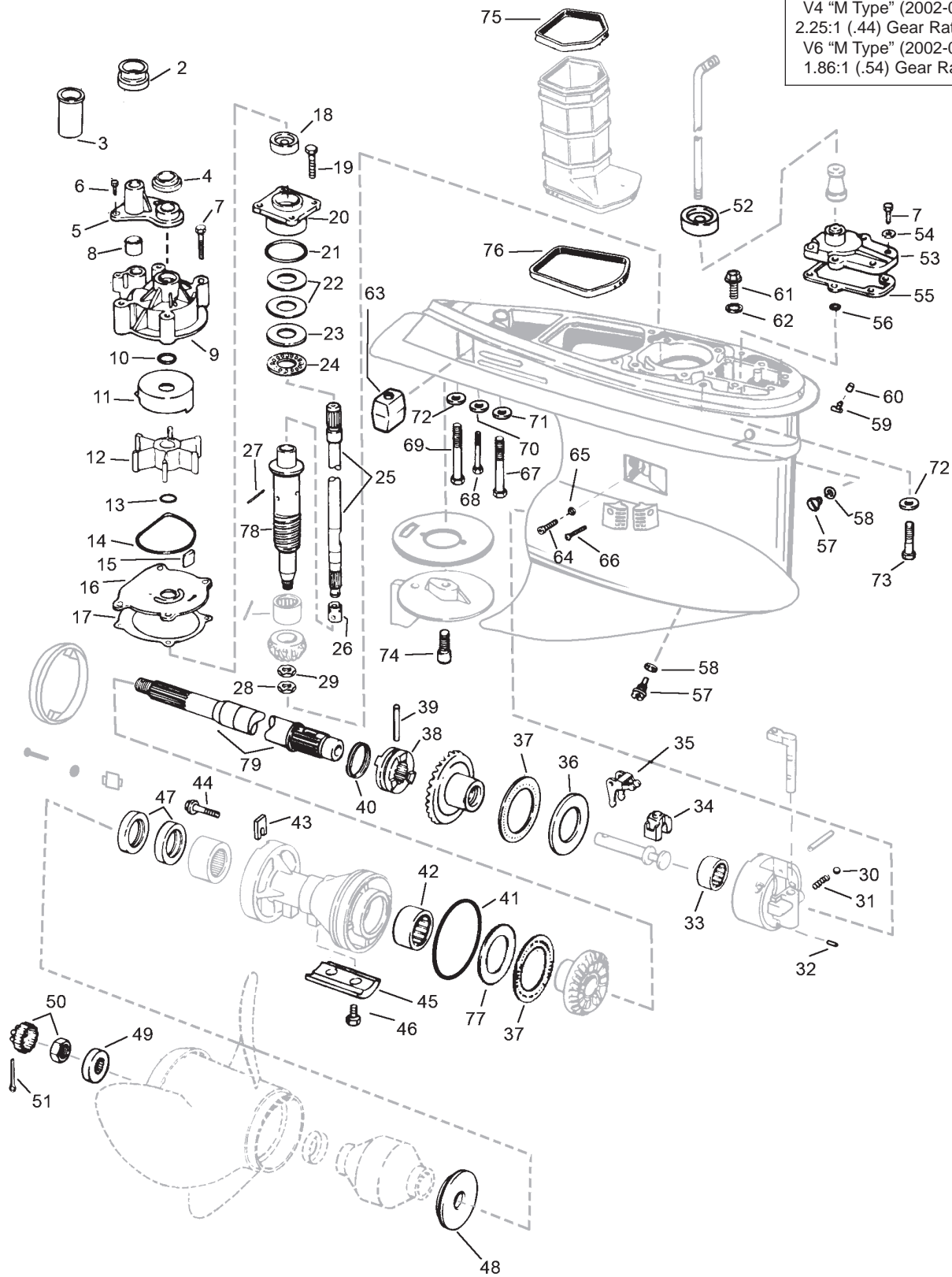
LOWER GEARCASE - V4/V6 "O" TYPE (1979-2006)

Ref No.	GLM No.	OEM No.	Description	Ref No.	GLM No.	OEM No.	Description
1	28700	439973	Gearcase Assembly / Tube	41+42	22666	N/A	Gear Set (Heavy Duty)
1	28800	439972	Gearcase Assembly	43	11190	314730	Nut
2	21610	387817	Pinion Bearing	44	86500	321008	Grommet
3	21885	337778	Screen	45	45200	318372	O-ring
4	22363	337061	Screw	46	21731	318544	Draining Screw
5	85840	320961	Seal	47	31171	311598	Gasket
6	22720	439476	Bearing Housing & Seal	48	22365	331998	Screw
7	86011	341280	Oil Seal	49	21674	330265	Washer
8	22362	317624	Screw	50	22366	328096	Screw
9	27700	389455	Housing & Bearing Assembly	51	22367	330263	Screw
10	22910	389039	Bearing	52	22368	313715	Screw
11	21138	331880	Pin	53	12776	436745	Anode
12	21137	328825	Pin	54	21646	327669	Thrust Washer
13	22491	160084	Detent Ball	55	16340	389042	Thrust Bearing
14	11055	911962	Spring	56	21135	313448	Cross Pin
15	27720	915954	Detent	57	22625	337774	Clutch Dog
16	27740	322938	Lever	58	11052	324369	Spring
17	27730	334163	Cradle	59	22414	395209	Prop Shaft (1-3/16") V6
18	27710	322941	Shaft	59	22417	5004765	Prop Shaft (1-1/4") V4/V6
19	86480	320943	Grommet	60	21651	336565	Thrust Washer
20	12570	338893	Tube Guide	61	16300	382408	Thrust Bearing
21	22370	306643	Screw	62	21642	314731	Thrust Washer
22	86490	314008	Grommet	63	82400	305123	O-ring
23	22360	302325	Screw	64	11406	5000074	Bearing Carrier (1-3/16")
24	12430	435959	Pump Housing (25" Transom)	64	11408	5004257	Bearing Carrier (1-1/4")
				65	22870	382407	Bearing
24	12395	435990	Pump Housing (20" Transom)	66	11410	387247	Bearing (Inside ø 1-3/16")
				66	22950	434467	Bearing (Inside ø 1-1/4")
25	81250	331188	O-ring	67	86012	341281	Oil Seal (1-1/4") 1 pc.
26	12811	338486	Pump Cup	67	86810	334950	Oil Seal (1-1/4") 2 pcs.
27	89570	5001593	Impeller	67	85130	320862	Oil Seal (1-3/16") 2 pcs.
28	82120	302035	O-ring	68	12737	431708	Anode
29	86660	331353	Seal	69	22320	908158	Screw
30	89590	331107	Key	70	22373	350271	Screw
31	12580	338485	Wear Plate	71	27850	333957	Tab
32	33730	338484	Gasket	72	33020	324670	Gasket
33	81380	314728	O-ring	73	22221	126870	Thrust Washer
34	23590	323362	Shim .003	74	22190	320570	Spacer
34	23580	323361	Shim .004	75	22185	398042	Nut & Keeper
34	23510	314745	Shim .005	76	22142	306394	Cotter Pin
35	21645	327656	Thrust Washer	77	22371	331999	Screw
36	16330	387656	Thrust Bearing	78	22374	341220	Screw
37	22435	5000615	Drive Shaft (Long)	79	21677	437330	Seal Washer
37	22436	5000624	Drive Shaft (XL)	80	28352	336535	Nipple
38	22407	345905	Lower Drive Shaft	81	28353	305749	Cap
39	21139	311538	Pin	82	21678	328702	Washer
40	28351	338504	Retainer	83	27752	5006241	Cover & Seal Assembly
41	22651	435123	P / Forward Gear Set V4	84	85830	320936	Seal
41	22623	5004938	P / Forward Gear Set V6	85	85840	320961	Seal
42	22653	336574	Reverse Gear V4	86	81165	310585	O-ring
42	22624	910994	Reverse Gear V6				

GLM Products, Inc.

LOWER GEARCASE - V4/V6 "M" TYPE (2002-2006)

Fits Models:
 V4 "M Type" (2002-06),
 2.25:1 (.44) Gear Ratio &
 V6 "M Type" (2002-06),
 1.86:1 (.54) Gear Ratio



TOC

Manifolds-Merc.

Manifolds-OMC

Manifolds-Volvo

Manifolds-Barr

MerCruiser

Merc / Mar / For

OMC / Volvo

Johnson / Evin

Yamaha

Index / X-Ref.

Warranty



GLM Products, Inc.

LOWER GEARCASE - V4/V6 "M" TYPE (2002-2006)

Ref No.	GLM No.	OEM No.	Description	Ref No.	GLM No.	OEM No.	Description
1	21610	387817	Pinion Bearing	47	86012	341281	Oil Seal - 1 pc.
2	86495	338601	Grommet	47	86810	334950	Oil Seal - 2 pcs.
3	12827	338636	Tube Spacer	48	22221	126870	Thrust Washer
4	86480	320943	Grommet	49	22190	320570	Spacer
5	12570	338893	Tube Guide	50	22185	398042	Nut & Keeper
6	22370	306643	Screw	51	22142	306394	Cotter Pin
7	22360	302325	Screw	52	86500	321008	Grommet
8	86490	314008	Grommet	53	27752	5006241	Cover & Seal Assembly
9	12430	435959	Pump Housing	54	21678	328702	Washer
10	81250	331188	O-ring	55	33020	352165	Gasket
11	12811	338486	Pump Cup	56	45200	318372	O-ring
12	89570	5001593	Impeller	57	21731	318544	Draining Screw
13	82120	302035	O-ring	58	31171	311598	Gasket
14	86660	331353	Seal	59	28352	336535	Nipple
15	89590	331107	Key	60	28353	305749	Cap
16	12580	338485	Wear Plate	61	22374	341220	Screw
17	33730	338484	Gasket	62	21677	437330	Seal Washer
18	86011	341280	Oil Seal	63	12776	436745	Anode
19	22362	317624	Screw	64	22394	324852	Screw
20	22720	439476	Bearing Housing & Seal	65	80100	305739	Seal
21	81380	314728	O-ring	66	22363	337061	Screw
22	23590	323362	Shim .003	67	22365	331998	Screw
22	23580	323361	Shim .004	68	22327	909386	Screw
22	23510	314745	Shim .005	69	22367	330263	Screw
23	21645	327656	Thrust Washer	70	21763	307161	Lockwasher
24	16330	387656	Thrust Bearing	71	21674	330265	Washer
25	22433	5000614	Drive Shaft 20" L	72	21762	330266	Lockwasher
25	22434	5000623	Drive Shaft 25" L	73	22371	331999	Screw
25	22436	5000624	Drive Shaft 25" L	74	22368	313715	Screw
26	28351	338504	Retainer	75	85830	320936	Seal
27	21139	311538	Pin	76	85840	320961	Seal
28	11190	314730	Nut	77	21654	349193	Thrust Washer
29	32800	350038	Washer	78	22403	347371	Lower Drive Shaft
30	22491	160084	Detent Ball	79	22417	5004765	Prop shaft
31	11055	911962	Spring				
32	21138	331880	Pin				
33	22910	389039	Bearing				
34	27730	334163	Cradle				
35	27740	322938	Lever				
36	21646	327669	Thrust Washer				
37	16340	389042	Thrust Bearing				
38	22625	337774	Clutch Dog				
39	21135	313448	Cross Pin				
40	11052	324369	Spring				
41	82440	326849	O-ring				
42	22870	382407	Bearing				
43	27850	333957	Tab				
44	22373	350271	Screw				
45	12737	431708	Anode				
46	22320	908158	Screw				

TOC

Manifolds-Merc.

Manifolds-OMC

Manifolds-Volvo

Manifolds-Barr

MerCruiser

Merc / Mar / For

OMC / Volvo

Johnson / Evin

Yamaha

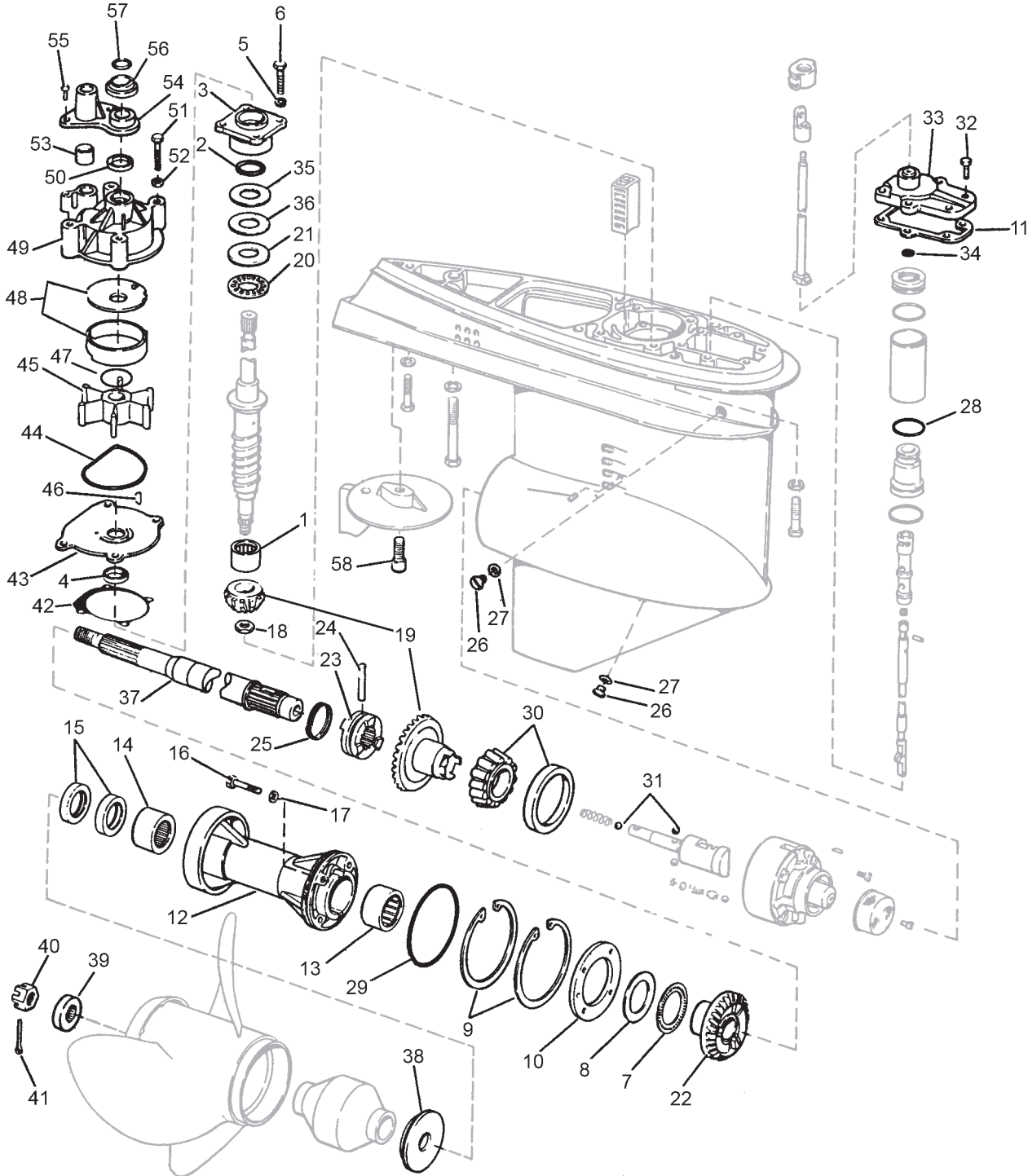
Index / X-Ref.

Warranty

GLM Products, Inc.

LOWER GEARCASE - V6 (1976-1978)

Fits Models:
V6 (1976-1978),
Hydraulic Shift



GLM Products, Inc.

LOWER GEARCASE - V6 (1976-1978)

Ref No.	GLM No.	OEM No.	Description	Ref No.	GLM No.	OEM No.	Description
1	21610	387817	Pinion Bearing	51	22360	302873	Screw, Water Pump
2	81380	314728	O-ring Drive Shaft Bearing	52	21673	305981	Washer, Screw
3	22720	439476	Bearing Housing & Seal	53	86490	314008	Water Tube Grommet
4	85120	321453	Oil Seal, Drive Shaft	54	12570	338893	Water Tube Cover
5	N/A	301250	Washer, Bearing Housing	55	22370	306643	Water Tube Cover Screws
6	N/A	316534	Screw, Bearing Housing	56	86480	320943	Water Tube Cover Grommet
7	16300	382408	Reverse Thrust Bearing	57	81160	310585	O-ring
8	21642	314731	Reverse Thrust Washer	58	22368	313715	Screw, Trim Tab
9	N/A	321171	Retaining Ring				
10	N/A	321174	Retainer Plate				
11	N/A	321162	Gasket, Shift Cover				
12	N/A	387374	Bearing Carrier, Prop Shaft				
13	N/A	382407	Reverse Gear Bearing				
14	11410	387247	Needle Bearing, Prop Shaft				
15	85130	320862	Prop Shaft Seal				
16	22300	316563	Carrier Retainer Screw				
17	N/A	317178	O-ring Carrier Screw				
18	11190	314730	Pinion Nut				
19	22621	320635	Pinion & Forward Gear				
20	16330	387656	Pinion, Thrust Bearing				
21	21645	327656	Pinion, Thrust Washer				
22	22624	320631	Reverse Gear				
23	22625	320630	Clutch Dog				
24	21135	313448	Pin, Clutch Dog				
25	11052	324369	Spring, Clutch Dog				
26	22420	307551	Drain Plug				
27	N/A	311598	Drain Plug Nylon Washer				
28	82130	320140	O-ring, Shift				
29	82400	305123	O-ring Prop Shaft Carrier				
30	N/A	386319	Forward Gear Bearing Assembly				
31	22490	316506	Detent Ball				
32	N/A	318139	Cover Screw				
33	N/A	387384	Cover & Seal Assembly				
34	45200	318372	O-ring, Shift Rod				
35	N/A	314742	Shim .002				
36	23510	314745	Shim .005				
37	22415	387130	Prop Shaft				
38	22220	333592	Prop Thrust Bushing				
39	22190	320570	Prop Nut Spacer				
40	22180	320569	Prop Nut				
41	22110	309955	Prop Nut Cotter Pin				
42	33730	338484	Gasket, Plate				
43	12580	321188	Plate, Impeller				
44	86660	331353	Seal, Plate to Housing				
45	89680	385528	Impeller, W.P.				
46	89595	308928	Impeller Key				
47	81250	321175	O-ring Impeller				
48	12811	338486	Cup				
49	12395	435990	Housing				
50	85120	321453	Seal				

TOC

Manifolds-Merc.

Manifolds-OMC

Manifolds-Volvo

Manifolds-Bar

MerCruiser

Merc / Mar / For

OMC / Volvo

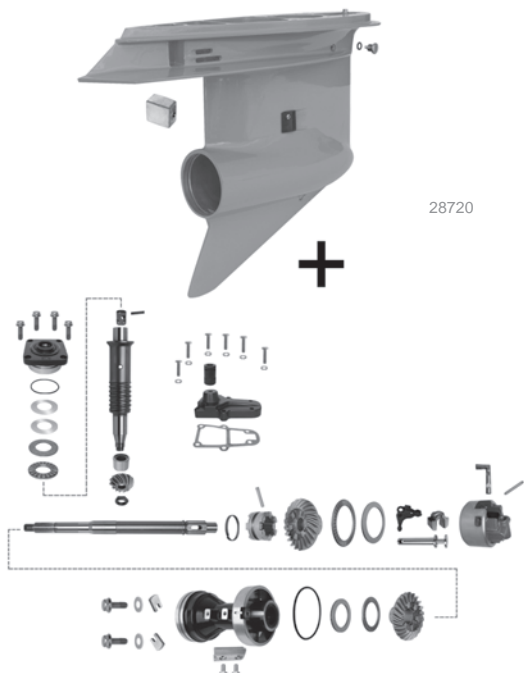
Johnson / Evin

Yamaha

Index / X-Ref.

Warranty

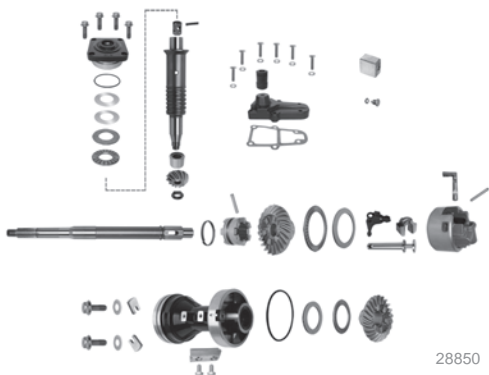
**Complete Gearcase Assembly Kits
Johnson / Evinrude**



28720

- 28220** OEM: N/A V4 90° (comes w/ Gear Set No. 22630)
- 28520** OEM: N/A V4 60° (comes w/ Gear Set No. 22630)
- 28720** OEM: N/A V4 "O" Type, Prop Shafts 1-1/4", .44 Ratio (comes w/ Gear Set No. 22650)
- 28720** OEM: N/A V6 "O" Type, Prop Shafts 1-1/4", .54 Ratio with Pitot Tube Speedometer Pick-up (comes w/ Heavy Duty Gear Set No. 22666)
- 28840** OEM: N/A V6 "O" Type, All Prop Shafts 1-1/4", .54 Ratio without Pitot Tube Speedometer Pick-up (comes w/ Heavy Duty Gear Set No. 22666)

**Gearcase Rebuild Kits (w/out Housing)
Johnson / Evinrude**



28850

- 28240** OEM: N/A V4 90° Small Gearcase
- 28540** OEM: N/A V4 60° Small Gearcase
- 28885** OEM: N/A V4 "O" Type, Prop Shafts 1-1/4", (1991 & Up) .44 Ratio, (comes w/ Gear Set No. 22650)
- 28850** OEM: N/A V6 "O" Type, Prop Shafts 1-1/4", (1991 & Up) .54 Ratio (comes w/ HD Gear Set No. 22666)

**Gearcase Seal Kit
V4/V6/V8 (1978-2006) w/ Mechanical Shift
Johnson / Evinrude**

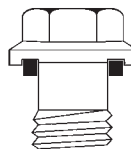


- 87600** OEM: 5006373 V4/V6/V8 (1978-2006) Outboard Engines with a Mechanical Shift Gearcase
*comes with Prop Shaft Carrier Screws GLM No. 22300
- Also fits OMC SEA DRIVE - 1.6L (1985-90), 1.8L (1987), 2.0L (1988-90), 2.5L (1984-85), 2.6L (1984-86), 2.7L (1987), 3.0L (1988-90), 3.6L (1987) & 4.0L (1989-90)

See the Difference!

***GLM's Prop Shaft Carrier Screws come with ND Plastisol™ Treatment**

Their Screws
Q or O-ring screws are difficult to seat properly. They tear and lose integrity with vibration.



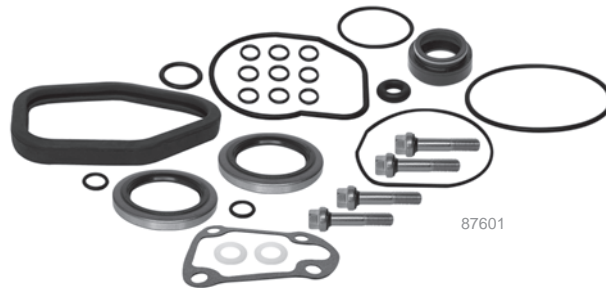
O-ring Screws
Good.

GLM Screws
ND Plastisol™ treatment screws provide a positive seal that eliminates leaks. They cushion, insulate, control noise and reduce vibration.



ND Plastisol™
Better!

**Gearcase Seal Kit
Mechanical Shift w/ Thru-Prop Exhaust
Johnson / Evinrude**



87601

- 87602** OEM: 396350 9.9, 15 HP (1974 & Up) & 4-Stroke
- 87680** OEM: 396351 2-Cyl., Crossflow 20, 25, 30 & 35 HP
- 87614** OEM: 433550 2-Cyl., Loopcharged 40, 48, 50 HP, (1989-2005) Small Housing
- 87603** OEM: 396355 2-Cyl., Loopcharged 40-60 HP & 3-Cyl., Loopcharged 60-75 HP, Small Housing, Both (1975-1988)
- 87601** OEM: 5000309 2-Cyl., Loopcharged 40-60 HP (1975-06) 3-Cyl., Loopcharged 60-75 HP (1975-01) Large Housing

GLM Products, Inc.

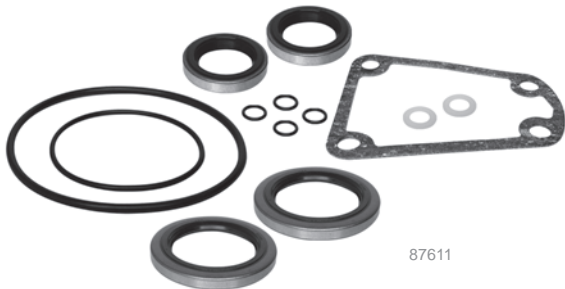
Gearcase Seal Kits Electric Shift w/ Cavitation Plate Exhaust Johnson / Evinrude



87621

- 87608** OEM: N/A V4 Electric Shift (1962-1968)
- 87621** OEM: N/A 40 HP Electric Shift (1962-1970)

Gearcase Seal Kits Electric-Hydraulic Shift w/ Thru-Prop Exhaust Johnson / Evinrude



87611

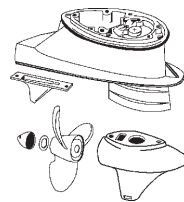
- 87609** OEM: N/A 3-Cyl., 60 HP Loopcharged (1970-1971)
- 87622** OEM: N/A 2-Cyl., Loopcharged (1971-1974)
- 87611** OEM: N/A V4, 55, 100, 125 HP Crossflow (1971-1972)

Gearcase Seal Kits Two-Piece Gearcase w/ Cavitation Plate Exhaust Johnson / Evinrude

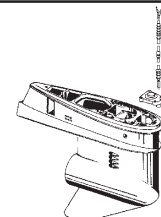


87690

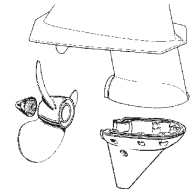
- 87604** OEM: N/A 5.5, 6 HP (1955-1967)
- 87605** OEM: N/A 10 HP (1958-1967)
- 87606** OEM: N/A 18 HP (1958-1965)
- 87607** OEM: N/A 25, 28, 30, 33-35, 40 HP, Manual (1955-73)
- 87616** OEM: N/A 6 HP (1967-1968)
- 87617** OEM: N/A 6 HP (1968-1979)
- 87618** OEM: N/A 9.5 HP (1967-1973)
- 87619** OEM: N/A 20, 25 HP (1979-1982)
- 87690** OEM: 396352 25, 28 HP (1985 & Up)



Electric Shift w/ Cavitation Plate Exhaust.



Electric/Hydraulic Shift w/ Thru Prop Exhaust



Two-Piece Gearcase w/ Cavitation Plate Exhaust.

GEARCASE SEAL KITS APPLICATION

Model	Year	Seal Kit	Model	Year	Seal Kit	Model	Year	Seal Kit
5.5	1955-67	87604	40	1989-Up	87614	100 Comm.	1984-95	87600
6	1955-67	87604	48	1976-88	87603	100	1991-01	87600
6	1967-68	87616	48	1989,92-93	87614	110 V4	1973-83	87600
6	1968-79	87617	50	1971-74	87622	110	1985-Up	87600
7.5	1955-67	87604	50	1976-88	87603	115 Small Prop Shaft	1969-71	87609
9.5 M Suffix	1958-67	87605	50	1989-Up	87614	115 V4	1973-83	87600
9.5 B Suffix	1967-73	87618	55	1968-69	87609	115	1985-Up	87600
9.9/15	1974-Up	87602	55	1976-88	87603	120	1985-92	87600
10	1958-67	87605	60 Elect.	1960-68	87608	120	1993-Up	87600
18	1958-65	87606	60	1970-71	87609	125 Large Prop Shaft	1971-72	87611
20	1966-73	87606	60 2-Cyl.	1976-88	87603	125	1991-98	87600
20	1981-82	87619	60 3-Cyl.	1978-01	87601	125 Comm.	1991-93	87600
20	1985-Up	87680	65 Elect.	1960-68	87608	135 V4	1973-83	87600
25	1955-59	87607	65	1978-01	87601	140 V4	1973-83	87600
25	1969-78	87606	70	1978-01	87601	140	1985-94	87600
25	1979-82	87619	75 Elect.	1960-68	87608	150 V6	1978-86	87600
25	1984	87690	75	1978-01	87601	150	1991-95	87600
25	1985-Up	87680	75 Small Gearcase	1976-88	87603	155 Comm.	1984-93	87600
25	1990-95	87614	V4	1978-84	87600	175 V6	1977-86	87600
25 Comm.	1985-Up	87690	85 Elect.	1968	87608	175	1991-Up	87600
28	1962-70	87607	85 Small Prop Shaft	1969-71	87609	185	1991-93	87600
28	1985-Up	87690	85 Large Prop Shaft	1971-72	87611	200 V6	1976-86	87600
30	1955-59	87607	85 V4	1973-83	87600	200	1991-Up	87600
30	1976-95	87680	85	1991-95	87600	V6	1979-92	87600
33	1962-70	87607	88	1985-Up	87600	225	1991-95	87600
35	1955-59	87607	90 Elect.	1964-65	87608	235 V6	1977-86	87600
35	1977-92	87680	90 V4	1973-83	87600	V8	1985-91	87600
40 Manual Shift	1960-73	87607	90	1985-Up	87600	250 V8	1991-95	87600
40 Elect. Shift	1962-70	87621	100 Large Prop Shaft	1971-72	87611	300 V8	1991-95	87600
40	1976-88	87603	100 V4	1973-83	87600			

**Lower Gear Sets
2 & 3-Cylinder Loopcharged
Johnson / Evinrude**



22660
Small Gear Hsg.

22670
Large Gear Hsg.

Complete Standard Duty Gear Set 12:29 (w/ clutch)

22670	OEM: N/A	1986-2006	2-Cyl. Loopcharged, 40-60 HP, Large Gear Hsg.
		1975-2001	3-Cyl. Loopcharged, 60-75 HP, Large Gear Hsg.

Pinion & Forward Gear Set 12:29

22671	OEM: 397338	1986-2006	2-Cyl. Loopcharged, 40-60 HP, Large Gear Hsg.
		1975-2001	3-Cyl. Loopcharged, 60-75 HP, Large Gear Hsg.

Reverse Gear

22672	OEM: 318304	29 teeth	2 & 3-Cyl., Loopcharged Large Gear Housings
-------	-------------	----------	--

Clutch Dog, Spring & Cross Pin

22673	OEM: 318303	1975-2006	Clutch Dog
11052	OEM: 324369	1975-2006	Spring
21135	OEM: 313448	1975-2006	Pin

Complete Standard Duty Gear Set 12:29 (w/ clutch)

22680	OEM: N/A	1975-1988	2-Cyl. Loopcharged, 40-60 HP, Small "Old" Gear Hsg.
		1975-1988	3-Cyl. Loopcharged, 60-75 HP, Small "Old" Gear Hsg.

Pinion & Forward Gear Set w/ Reverse Gear 12:29

22681	OEM: 433570	1975-1988	2-Cyl. Loopcharged, 40-60 HP, Small "Old" Gear Hsg.
		1975-1988	3-Cyl. Loopcharged, 60-75 HP, Small "Old" Gear Hsg.

Clutch Dog, Spring & Cross Pin

22683	OEM: 319895	1975-1988	Clutch Dog
11051	OEM: 320311	1975-1988	Spring
21133	OEM: 320310	1975-1988	Pin

Complete Standard Duty Gear Set 12:29 (w/ clutch)

22660	OEM: N/A	1989-2005	2-Cyl. Loopcharged, 40-50 HP, Small "New" Gear Hsg.
-------	----------	-----------	--

Pinion & Forward Gear Set 12:29

22661	OEM: 397627	1989-2005	2-Cyl. Loopcharged, 40-50 HP, Small "New" Gear Hsg.
-------	-------------	-----------	--

Reverse Gear

22662	OEM: 332489	29 teeth	2-Cyl. Loopcharged, 40-50 HP, Small "New" Gear Hsg.
-------	-------------	----------	--

**Lower Gear Sets
2 & 3-Cylinder Loopcharged
Johnson / Evinrude
continued...**

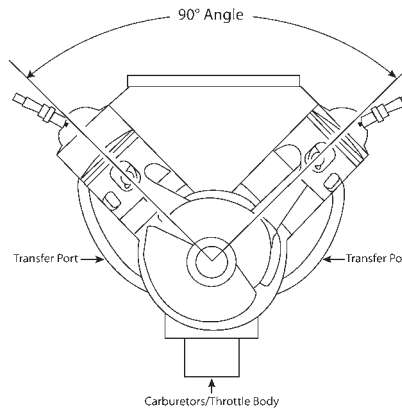
Clutch Dog, Spring & Cross Pin

22663	OEM: 332491	1989-2005	Clutch Dog
11051	OEM: 320311	1989-2005	Spring
21133	OEM: 320310	1989-2005	Pin

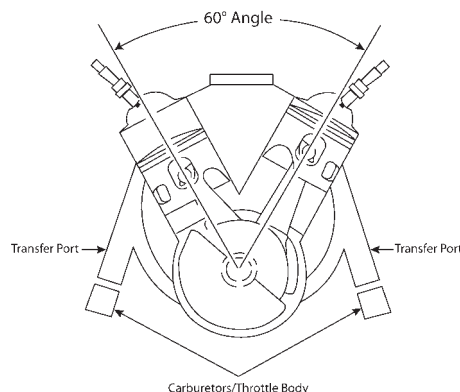
**Difference in Engine Designs
Johnson / Evinrude V4 & V6
60° vs. 90°**

Johnson / Evinrude outboards were the first to break away from the inline cylinder engine concept. In 1958 they introduced a V4 outboard to the marine industry. This outboard had the cylinder walls configured into a 90 degree V shape. In 1976 two more cylinders were added and the 90 degree V6 was born. As casting techniques improved a more compact 60 degree V6 engine was introduced in 1991 followed by the 60 degree V4 in 1995. Other than a narrower profile the difference between an older 90 degree engine and a newer 60 degree engine is the location of the carburetors/throttle bodies. A 90 degree V4/V6 engine will have the carburetors/throttle bodies located in the front of the crankcase directly over the crankshaft. A 60 degree V4/V6 engine will have the carburetors/throttle bodies located on the side of the crankcase, directly over the transfer ports.

90° V4/V6



60° V4/V6



TOC
Manifolds-Merc.
Manifolds-OMC
Manifolds-Volvo
Manifolds-Barr
MerCruiser
Merc / Mar / For
OMC / Volvo
Johnson / Evin
Yamaha
Index / X-Ref.
Warranty

GLM Products, Inc.

Lower Gear Sets V4 60° & 90° Johnson / Evinrude



Complete Standard Duty Gear Set 12:27 (w/ clutch)

22650	OEM: N/A	1978-2006	All V4 90° Outboards w/ "O" Type Gear Housings
-------	----------	-----------	--

Pinion & Forward Gear Set 12:27

22651	OEM: 435123	1978-2006	All V4 90° Outboards w/ "O" Type Gear Housings
-------	-------------	-----------	--

Reverse Gear

22653	OEM: 336574	27 teeth	All V4 90° Outboards w/ "O" Type Gear Housings
-------	-------------	----------	--

Clutch Dog, Spring & Cross Pin

22625	OEM: 337774	1978-2006	Clutch Dog
11052	OEM: 324369	1978-2006	Spring
21135	OEM: 313448	1978-2006	Pin

Complete Standard Duty Gear Set 13:26 (w/ clutch)

22630	OEM: N/A	1978-2006	V4 60° & V4 90° Outboards w/ Small Gear Housings
-------	----------	-----------	--

Pinion & Forward Gear Set 13:26

22631	OEM: 436746	1978-2006	V4 60° & V4 90° Outboards w/ Small Gear Housings May be used with OMC reverse gear.
-------	-------------	-----------	--

Reverse Gear

22632	OEM: 345992	26 teeth	V4 60° & V4 90° Outboards w/ Small Gear Housings May be used with OMC fwd & pinion gears.
-------	-------------	----------	--

Clutch Dog, Spring & Cross Pin

22633	OEM: 323664	1978-2006	Clutch Dog
11052	OEM: 324369	1978-2006	Spring
21135	OEM: 313448	1978-2006	Pin



Lower Gear Sets - V6 90° "O" Type & V6 w/ Mechanical / Hydraulic Shift Johnson / Evinrude



Complete Heavy Duty Gear Set 12:22 (w/o Clutch)

22666	OEM: N/A	1979-2006	All V6 90° Outboards w/ "O" Type Gear Housings
-------	----------	-----------	--

- ✓ Stronger
- ✓ More Durable
- ✓ Quieter

Note: The Heavy Duty Gears will not interchange with the standard gears. For individual gear replacement, you must use the Standard Duty Pinion & Forward Gear No. 22623 or the Standard Duty Reverse Gear No. 22624. GLM recommends installing a new clutch No. 22625.

Clutch Dog for Heavy Duty Gear Set

22625	OEM: 337774	1979-2006	For Heavy Duty Gears GLM recommends No. 22625 for the Heavy Duty Gears (not included in gear set 22666).
-------	-------------	-----------	---

Complete Standard Duty Gear Set 14:26 (w/ clutch)

22622	OEM: 5004218	1978-2006	All V6 90° Outboards w/ "O" Type Gear Housings
-------	--------------	-----------	--

Note: In 1991 Johnson/Evinrude's large dia. prop shaft (1-1/4") utilizes a thrust washer (included in gear set). Discard the thrust washer when using the small diameter prop shaft (1-3/16").

Pinion & Forward Gear Set 14:26, Thrust Washer

22623	OEM: 5004938	1978-2006	For Standard Gears May be used with OMC reverse gear.
21651	OEM: 336565	1978-2006	Thrust Washer, Fwd Gear

Reverse Gear w/ Thrust Washer

22624	OEM: 336561	26 teeth	For Standard Gears Includes thrust washer No. 21651 May be used with OMC fwd & pinion gears.
-------	-------------	----------	--

Clutch Dog, Spring & Cross Pin - Standard Gears & HD

22625	OEM: 337774	1978-2006	Clutch Dog
11052	OEM: 324369	1978-2006	Spring
21135	OEM: 313448	1978-2006	Pin

Complete Standard Duty Gear Set 14:26 (w/ clutch)

22620	OEM: N/A	1976-1978	All V6 Outboards w/ Mechanical/Hydraulic Shift
-------	----------	-----------	--

Pinion & Forward Gear Set 14:26

22621	OEM: 5004941	1976-1978	For V6 w/ Mech/Hyd. Shift
-------	--------------	-----------	---------------------------

Reverse Gear & Clutch Dog

22652	OEM: 437297	26 teeth	For V6 w/ Mech/Hyd. Shift
-------	-------------	----------	---------------------------

Clutch Dog, Spring & Cross Pin

22625	OEM: 337774	1976-1978	Clutch Dog
11052	OEM: 324369	1976-1978	Spring
21135	OEM: 313448	1976-1978	Pin

TOC
Manifolds-Merc.
Manifolds-OMC
Manifolds-Volvo
Manifolds-Barr
MerCruiser
Merc / Mar / For
OMC / Volvo
Johnson / Evin
Yamaha
Index / X-Ref.
Warranty

GLM Products, Inc.

GEAR SETS APPLICATION - 2 & 3-CYLINDER & V4

HP / Model	Year	Complete Gear Set w/ Clutch	Forward & Pinion	Reverse Gear	Clutch
2 & 3-Cyl. Loopcharged					
25D Small Gearcase	1989-95	22660	22661	22662	22663
35 (AR, AE & AT Only) Small Gearcase	1987	22680	22681	22681	22683
40 Small Gearcase	1984-88	22680	22681	22681	22683
40 Small Gearcase	1989-97	22660	22661	22662	22663
48 Small Gearcase	1987-88	22680	22681	22681	22683
48 Small Gearcase	1989-96	22660	22661	22662	22663
50 Small Gearcase	1979-88	22680	22681	22681	22683
50 Small Gearcase	1989-97	22660	22661	22662	22663
50 (S CYD Model) Large Gearcase	1995-97	22670	22671	22672	22673
55 Electric Start Small Gearcase	1979-81	22680	22681	22681	22683
60 Electric Start Small Gearcase	1980-85	22680	22681	22681	22683
60 (3-Cyl. 20" Model) Large Gearcase	1986-97	22670	22671	22672	22673
65 Comm. Large Gearcase	1984-97	22670	22671	22672	22673
70 E Model Large Gearcase	1975	22670	22671	22672	22673
70 20" Model Large Gearcase	1976-97	22670	22671	22672	22673
75 20" Model Large Gearcase	1975-88	22670	22671	22672	22673
V4					
85	1977	-	-	22632	22633
85	1978-80, 1991-95	22630	22631	22632	22633
88	1987-96	22630	22631	22632	22633
90	1981-97	22630	22631	22632	22633
90 V4 60° 2.25:1 "O" Gearcase	1995-99	22650	22651	22653	22625
100	1979-80	22630	22631	22632	22633
100	1989-90	22630	22631	22632	22633
100 2.25:1 "O" Gearcase	1991	22650	22651	22653	22625
100 Comm. (S Prefix Only)	1989-90	22630	22631	22632	22633
100 Comm. 2.25:1 "O" Gearcase	1987, 92, 93	22650	22651	22653	22625
100 Comm. D 2.25:1 "O" Gearcase	1994-99	22650	22651	22653	22615
100 Comm. (E J Models) 2.25:1 "O" Gearcase	1989	22650	22651	22653	22625
100 Comm. (2 Pcs. D/Shaft) 2.25:1 "O" Gearcase	1990	22650	22651	22653	22625
110	1986-89	22630	22631	22632	22633
112	1994-96	22630	22631	22632	22633
115	1977	22630	22631	22632	22633
115	1990-97	22630	22631	22632	22633
115 V4 60° 2.25:1 "O" Gearcase	1995-99	22650	22651	22653	22625
120	1986-92	22630	22631	22632	22633
120 2.25:1 "O" Gearcase	1990	22650	22651	22653	22625
120 TL, TX	1993	22630	22631	22632	22633
120 TX 2.25:1 "O" Gearcase	1993	22650	22651	22653	22625
125 Comm. (ESX Prefix Only)	1989-90	22630	22631	22632	22633
125 Comm. 2.25:1 "O" Gearcase	1989-92	22650	22651	22653	22625
125 Comm. E, R 2.25:1 "O" Gearcase	1993-96	22650	22651	22653	22625
125 ESX (F Suffix) 2.25:1 "O" Gearcase	1993	22650	22651	22653	22625
125 ESX (S Suffix Only)	1993	22630	22631	22632	22633
130 2.25:1 "O" Gearcase	1997	22650	22651	22653	22625
140	1978-84	22630	22631	22632	22633
140	1986-87	22630	22631	22632	22633
140 TL	1988-94	22630	22631	22632	22633
140 TX 2.25:1 "O" Gearcase	1988-90, 92, 93	22650	22651	22653	22625



GLM Products, Inc.

GEAR SETS APPLICATION - V6					
HP / Model	Year	Complete Gear Set w/ Clutch	Forward & Pinion	Reverse Gear	Clutch
V6					
150 Mechanical/Hydraulic Shift	1978	22620	22621	22652	22625
150	1979-87	22622	22623	22624	22625
150	1979-87	-	22666 Heavy Duty Gears		22625
150	1988-90	22622	22623	22624	22625
150	1988-90	-	22666 Heavy Duty Gears		22625
150	1991-97	22622	22623	22624	22625
150	1991-97	-	22666 Heavy Duty Gears		22625
150 Comm.	1993-95	22622	22623	22624	22625
150 Comm.	1993-95	-	22666 Heavy Duty Gears		22625
150 Comm.	1989-90	22622	22623	22624	22625
150 Comm.	1989-90	-	22666 Heavy Duty Gears		22625
155 Comm. WTA	1989	22650	22651	22653	22625
155 Comm. WTP	1989	22622	22633	22624	22625
155 Comm. WTP	1989	-	22666 Heavy Duty Gears		22625
175 Mechanical/Hydraulic Shift	1977-78	22620	22621	22652	22625
175	1979-87	22622	22623	22624	22625
175	1979-87	-	22666 Heavy Duty Gears		22625
175	1988-90	22622	22633	22624	22625
175	1988-90	-	22666 Heavy Duty Gears		22625
175	1991-97	22622	22623	22624	22625
175	1991-97	-	22666 Heavy Duty Gears		22625
185	1984-85	22622	22623	22624	22625
185	1984-85	-	22666 Heavy Duty Gears		22625
185	1990	22622	22623	22624	22625
185	1990	-	22666 Heavy Duty Gears		22625
185	1991-94	22622	22623	22624	22625
185	1991-94	-	22666 Heavy Duty Gears		22625
200 Mechanical/Hydraulic Shift	1976-78	22620	22621	22652	22625
200	1979-83	22622	22623	22624	22625
200	1979-83	-	22666 Heavy Duty Gears		22625
200	1986-87	22622	22633	22624	22625
200	1986-87	-	22666 Heavy Duty Gears		22625
200	1988-90	22622	22623	22624	22625
200	1988-90	-	22666 Heavy Duty Gears		22625
200	1991-97	22622	22623	22624	22625
200	1991-97	-	22666 Heavy Duty Gears		22625
200 Comm.	1990-91	22622	22623	22624	22625
200 Comm.	1990-91	-	22666 Heavy Duty Gears		22625
225	1986-87	22622	22623	22624	22625
225	1986-87	-	22666 Heavy Duty Gears		22625
225	1988-90	22622	22623	22624	22625
225	1988-90	-	22666 Heavy Duty Gears		22625
225	1991-97	22622	22623	22624	22625
225	1991-97	-	22666 Heavy Duty Gears		22625
235 Mechanical/Hydraulic Shift	1978	22620	22621	22652	22625
235	1979-85	22622	22623	22624	22625
235	1979-85	-	22666 Heavy Duty Gears		22625
1.6L Comm.	1988	22650	22651	22653	22625

TOC

Manifolds-Merc.

Manifolds-OMC

Manifolds-Volvo

Manifolds-Barr

MerCruiser

Merc / Mar / For

OMC / Volvo

Johnson / Evin

Yamaha

Index / X-Ref.

Warranty

GLM Products, Inc.

Shift Components - Small Gearcase 2-Cyl. Loopcharged (1989-2005) "New" Style Johnson / Evinrude



11051	OEM: 320311	Spring (for Clutch Dog)
21133	OEM: 320310	Cross Pin
22663	OEM: 332491	Clutch Dog
N/A	OEM: 332484	Spring
N/A	OEM: 332503	Shaft
27940	OEM: 434588	Cover & Seal Assy.
22490	OEM: 316506	Detent Ball
82230	OEM: 913921	O-ring

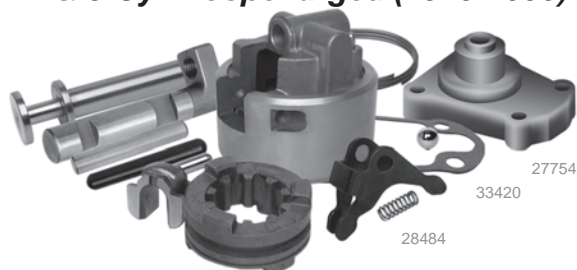
Shift Components - Small Gearcase 2 & 3-Cyl. Loopcharged (1975-1988) "Old" Style Johnson / Evinrude



28485	OEM: N/A	Shaft & Bearing Housing Kit (*)
11051	OEM: 320311	Spring
21133	OEM: 320310	Cross Pin
22683	OEM: 319895	Clutch Dog
27712*	OEM: 320172	Shaft
27756	OEM: 387336	Cover & Seal Assembly
27704*	OEM: 389637	Housing & Bearing Assembly
21105*	OEM: 320145	Pin
27742*	OEM: 320120	Lever
27723*	OEM: 322636	Detent
33420	OEM: 314082	Seal
21138	OEM: 331880	Pin
27730*	OEM: 334163	Cradle
22493*	OEM: 327345	Detent Ball
11039*	OEM: 312870	Spring

* Included in Kit No. 28485

Shift Components - Large Gearcase 2 & 3-Cyl. Loopcharged (1975-2006)



28484	OEM: N/A	Shaft & Bearing Housing Kit (*)
11052	OEM: 324369	Spring
21135	OEM: 313448	Cross Pin
22673	OEM: 318303	Clutch Dog
27711*	OEM: 326668	Shaft
27754	OEM: 388651	Cover & Seal Assembly
27702*	OEM: 391365	Housing & Bearing Assembly
21105*	OEM: 320145	Pin
27741*	OEM: 324037	Lever
27722*	OEM: 326670	Detent
33420	OEM: 314082	Seal
21138	OEM: 331880	Pin
27730*	OEM: 334163	Cradle
22493*	OEM: 327345	Detent Ball
11039*	OEM: 911961	Spring

* Included in Kit No. 28484

Shift Components - Small Gearcase V4 60° & 90° Loopcharged



28482	OEM: N/A	Shaft & Bearing Housing Kit (*)
11052	OEM: 324369	Spring
21135	OEM: 313448	Cross Pin
22633	OEM: 912607	Clutch Dog
27710*	OEM: 322941	Shaft
27752	OEM: 5006241	Cover & Seal Assembly
27702*	OEM: 391365	Housing & Bearing Assembly
21105*	OEM: 320145	Pin
27741*	OEM: 324037	Lever
27720*	OEM: 915954	Detent
33020	OEM: 324670	Seal
21138	OEM: 331880	Pin
27730*	OEM: 334163	Cradle
22493*	OEM: 327345	Detent Ball
11039*	OEM: 911961	Spring

* Included in Kit No. 28482

GLM Products, Inc.

Shift Components - Large Gearcase V4/V6/V8 "O" Type - Johnson / Evinrude



28481	OEM: N/A	Shaft & Bearing Housing Kit (*)
11052	OEM: 324369	Spring
21135	OEM: 313448	Cross Pin
22625	OEM: 337774	Clutch Dog
27710*	OEM: 322941	Shaft
27752	OEM: 5006241	Cover & Seal Assembly
27700*	OEM: 389455	Housing & Bearing Assembly
21137*	OEM: 328825	Pin
27740*	OEM: 322938	Lever
27720*	OEM: 915954	Detent
33020	OEM: 352165	Seal
21138	OEM: 331880	Pin
27730*	OEM: 334163	Cradle
22491*	OEM: 160084	Detent Ball
11055*	OEM: 911962	Spring

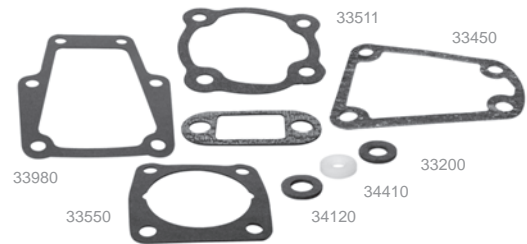
* Included in Kit No. 28481

Shift Components - Large Gearcase V4/V6/V8 "M" Type - Johnson / Evinrude



11052	OEM: 324369	Spring
21135	OEM: 313448	Cross Pin
22625	OEM: 337774	Clutch Dog
N/A	OEM: 348483	Shaft
27752	OEM: 5006241	Cover & Seal Assembly
N/A	OEM: 5001601	Housing & Bearing Assembly
N/A	OEM: 317274	Pin
27740	OEM: 322938	Lever
N/A	OEM: 347377	Detent
33020	OEM: 352165	Seal
21138	OEM: 331880	Pin
27730	OEM: 334163	Cradle
22491	OEM: 160084	Detent Ball
11055	OEM: 911962	Spring

Shift Components Gearcase Gaskets - Johnson / Evinrude



34120	OEM: 304764	Gasket, Shift Rod
33200	OEM: 305512	Gasket, Shift Rod
34410	OEM: 321738	Washer, Shift Rod
33220	OEM: 304023	Gasket, Shift Rod Cover
33980	OEM: 912388	Gasket, Shift Cover
33450	OEM: 314876	Gasket, V4 Solenoid Cover
33511	OEM: 324449	Gasket, Lower Gearcase
33550	OEM: 307099	Gasket, Lower Gearcase

Cover & Seal Assy. & Components Johnson / Evinrude

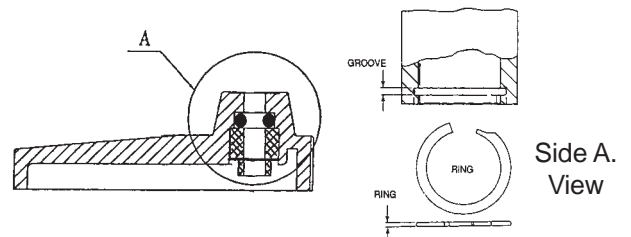


27940	OEM: 434588	Cover & Seal Assy., Small "New" Grcse. 2-Cyl., Loopcharged (1989-2005)
82230	OEM: 913921	O-ring for 27940
27756	OEM: 387336	Cover & Seal Assy., Small "Old" Grcse. 2 & 3-Cyl., Loopcharged (1975-1988)
27754	OEM: 388651	Cover & Seal Assy., Large Gearcase 2 & 3-Cyl., Loopcharged (1975-2006)
33420	OEM: 314082	Seal for 27754 & 27756
27752	OEM: 5006241	Cover & Seal Assy. V4 60° & 90° Loopcharged - Small Grcse. V4/V6/V8 "O" & "M" Type - Large Grcse.
33020	OEM: 324670	Seal for 27752

GLM's Re-Design of the Cover & Seal Assembly

GLM proudly uses Smalley* internal snap ring for holding the sealing bushing. Unlike the OEMs which locks it dead. No special tools are required for replacing the seal and a service job can be finished in seconds!

*Smalley Steel Ring Co. is a GM vender



TOC

Manifolds-Merc.

Manifolds-OMC

Manifolds-Volvo

Manifolds-Barr

MerCruiser

Merc / Mar / For

OMC / Volvo

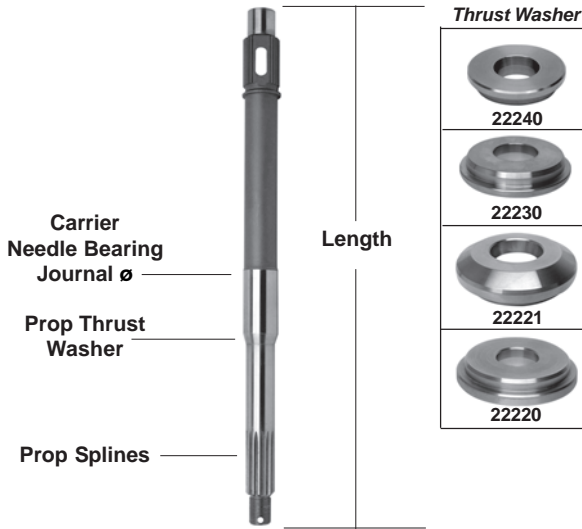
Johnson / Evin

Yamaha

Index / X-Ref.

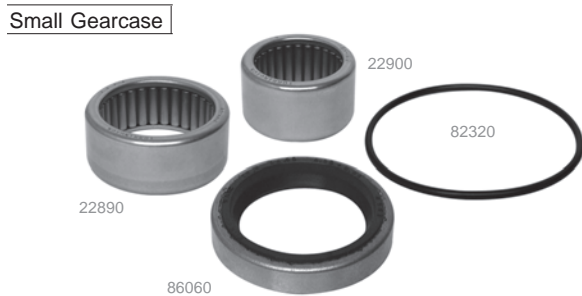
Warranty

Prop Shafts - Johnson / Evinrude



- 22421** OEM: 439138 2-Cyl. Loop,(1989-05) Small Gearcase
Length: 13-13/32", **Journal ø:** 1.0", **Prop Splines:** 13
Prop Thrust Washer: 22240
- 22418** OEM: 439185 2 & 3-Cyl., Loop, (1975-88) Small
Length: 14-29/64", **Journal ø:** 1-1/8", **Prop Splines:** 13
Prop Thrust Washer: 22230
- 22416** OEM: 436888 V4 90° (1978-98) Small Gearcase
Length: 15-7/16", **Journal ø:** 1-1/8", **Prop Splines:** 13
Prop Thrust Washer: 22230
- 22419** OEM: 436834 V4 60° (1995-06) Small Gearcase
Length: 16-9/16", **Journal ø:** 1-1/8", **Prop Splines:** 13
Prop Thrust Washer: 22230
- 22414** OEM: 395209 "O" Type (1979-90) Large Gearcase
Length: 17-27/32", **Journal ø:** 1-3/16", **Prop Splines:** 15
Prop Thrust Washer: 22220
- 22417** OEM: 5004765 "O" Type (1991-06) Large Gearcase
"M" Type (2001-06) Large Gearcase
Length: 17-7/8", **Journal ø:** 1-1/4", **Prop Splines:** 15
Prop Thrust Washer: 22221

Prop Shaft - 2 & 3-Cylinder Loopcharged (1975-1988) Johnson / Evinrude



- 22900** OEM: 386765 Prop Shaft Bearing
- 22890** OEM: 386764 Reverse Gear Bearing
- 86060** OEM: 321467 Prop Shaft Seal
- 82320** OEM: 320303 O-ring for Bearing Carrier

Prop Shaft - 2-Cylinder Loopcharged (1989-2006) Johnson / Evinrude



- 22421** OEM: 439138 Prop Shaft
- 22900** OEM: 386765 Prop Shaft Bearing
- 22890** OEM: 386764 Reverse Gear Bearing
- 21647** OEM: 332514 Thrust Washer Reverse Gear
- 16350** OEM: 397537 Thrust Bearing Reverse Gear
- 16360** OEM: 397538 Thrust Bearing Forward Gear
- 21648** OEM: 333725 Thrust Washer Forward Gear
- 22870** OEM: 382407 Forward Gear Bearing
- 22940** OEM: 432264 Forward Gear Bearing
- 86060** OEM: 321467 Prop Shaft Seal
- 11416** OEM: 432276 Bearing Carrier w/ Bearing & Seals
- 82360** OEM: 553126 O-ring for Bearing Carrier

Prop Shaft - 2 & 3-Cylinder Loopcharged (1975-2006) Johnson / Evinrude



- 22418** OEM: 439185 Prop Shaft
- 22860** OEM: 379504 Prop Shaft Bearing
- 22870** OEM: 382407 Reverse Gear Bearing
- 21641** OEM: 313447 Thrust Washer Reverse Gear
- 16300** OEM: 382408 Thrust Bearing Reverse Gear
- 16310** OEM: 385043 Thrust Bearing Forward Gear
- 21644** OEM: 324766 Thrust Washer Forward Gear
- 22870** OEM: 382407 Forward Gear Bearing
- 22400** OEM: 320041 Screw
- 81100** OEM: 332584 O-ring
- 86030** OEM: 330137 Prop Shaft Seal
- 82320** OEM: 320303 O-ring for Bearing Carrier
- 21774** OEM: 313445 Retaining Ring

GLM Products, Inc.

Prop Shaft - V4 90° (1978-1998) Johnson / Evinrude

Small Gearcase



22416	OEM: 436888	Prop Shaft
22860	OEM: 379504	Prop Shaft Bearing
22870	OEM: 382407	Reverse Gear Bearing
21642	OEM: 314731	Thrust Washer Reverse Gear
16300	OEM: 382408	Thrust Bearing Reverse Gear
16310	OEM: 385043	Thrust Bearing Forward Gear
21644	OEM: 324766	Thrust Washer Forward Gear
22870	OEM: 382407	Forward Gear Bearing
22300	OEM: 316563	Screw
86640	OEM: 332583	O-ring
86030	OEM: 330137	Prop Shaft Seal
11392	OEM: 397087	Bearing Carrier w/ Bearing & Seals
82370	OEM: 313446	O-ring for Bearing Carrier
21774	OEM: 313445	Retaining Ring

Prop Shaft - V4 60° (1995-2006) Johnson / Evinrude

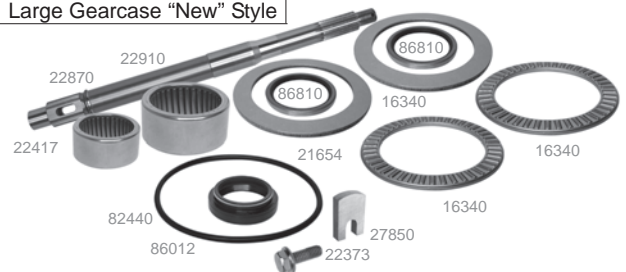
Small Gearcase "New" Style



22419	OEM: 5006310	Prop Shaft
22860	OEM: 379504	Prop Shaft Bearing
22870	OEM: 382407	Reverse Gear Bearing
21642	OEM: 314731	Thrust Washer Reverse Gear
16300	OEM: 382408	Thrust Bearing Reverse Gear
16310	OEM: 385043	Thrust Bearing Forward Gear
21644	OEM: 324766	Thrust Washer Forward Gear
22870	OEM: 382407	Forward Gear Bearing
22373	OEM: 350271	Screw
27850	OEM: 333957	Tab
86030	OEM: 330137	Prop Shaft Seal
11398	OEM: 5000440	Bearing Carrier w/ Bearing & Seals
82370	OEM: 313446	O-ring for Bearing Carrier

Prop Shaft - V4/V6/V8 (2002-2006) "M" Type - Johnson / Evinrude

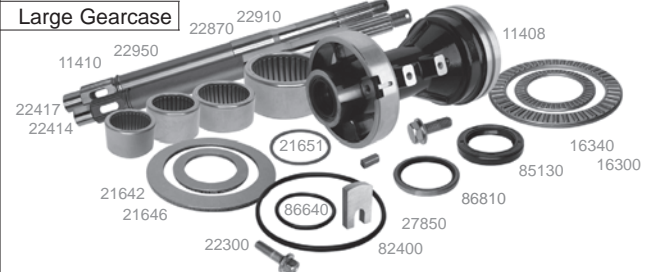
Large Gearcase "New" Style



22417	OEM: 5004765	Prop Shaft - ϕ 1-1/4" (1991-2006)
22870	OEM: 382407	Reverse Gear Bearing
21654	OEM: 349193	Thrust Washer Reverse Gear
16340	OEM: 389042	Thrust Bearing Reverse Gear
16340	OEM: 389042	Thrust Bearing Forward Gear
21646	OEM: 327669	Thrust Washer Forward Gear
22910	OEM: 389039	Forward Gear Bearing
22373	OEM: 350271	Screw
27850	OEM: 333957	Tab
86810	OEM: 334950	Prop Shaft Seal (2-Pieces)
86012	OEM: 341281	Prop Shaft Seal (1-Piece)
82440	OEM: 326849	O-ring for Bearing Carrier

Prop Shaft - V4/V6/V8 (1979-2006) "O" Type - Johnson / Evinrude

Large Gearcase



22414	OEM: 395209	Prop Shaft - ϕ 1-3/16" (1979-1990)
22417	OEM: 5004765	Prop Shaft - ϕ 1-1/4" (1991-2006)
11410	OEM: 387247	Prop Shaft Bearing (1979-1990)
22950	OEM: 434467	Prop Shaft Bearing (1991-2006)
22870	OEM: 382407	Reverse Gear Bearing
21642	OEM: 314731	Thrust Washer Reverse Gear
16300	OEM: 382408	Thrust Bearing Reverse Gear
16340	OEM: 389042	Thrust Bearing Forward Gear
21646	OEM: 327669	Thrust Washer Forward Gear
22910	OEM: 389039	Forward Gear Bearing
22300	OEM: 316563	Screw (1979-1990)
86640	OEM: 332583	O-ring (1979-1990)
22373	OEM: 350271	Screw (1991-2006)
27850	OEM: 333957	Tab (1991-2006)
85130	OEM: 320862	Prop Shaft Seal (1979-1990)
86810	OEM: 334950	Prop Shaft Seal (1991-2006)
11408	OEM: 5000363	Brg. Carrier w/ Brg., Key & Seals (1991 & Up)
11081	OEM: N/A	Key for Bearing Carrier No. 11408
82400	OEM: 305123	O-ring for Bearing Carrier
21651	OEM: 336565	Thrust Washer (1991-2006)

TOC

Manifolds-Merc.

Manifolds-OMC

Manifolds-Volvo

Manifolds-Barr

MerCruiser

Merc / Mar / For

OMC / Volvo

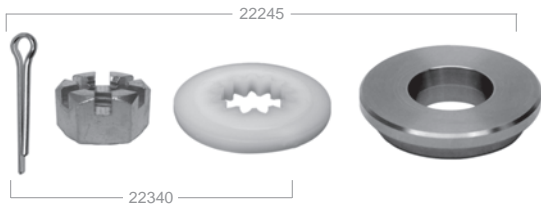
Johnson / Evin

Yamaha

Index / X-Ref.

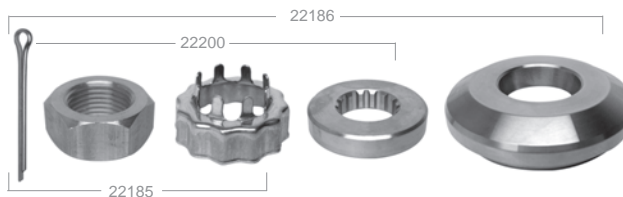
Warranty

**Prop Hardware - Small Gearcase
2 & 3-Cyl. (1972 & Up)
Johnson / Evinrude**



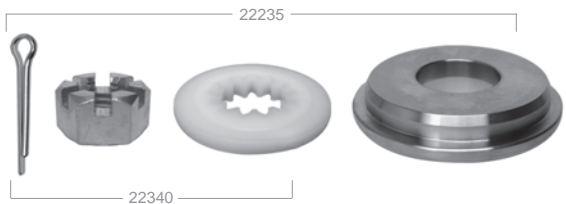
22245	OEM: 386866	Prop Hardware Kit (All Components)
22340	OEM: 175267	Prop Hardware Kit w/out Thrust Washer
22120	OEM: 314502	Cotter Pin
22150	OEM: 314503	Prop Nut - 5/8 x 11
22250	OEM: 315810	13 Spline Washer
22240	OEM: 320305	15/32" Thick Thrust Washer

**Prop Hardware - Large Gearcase
V4/V6/V8 "O" Type (1991 & Up)
Johnson / Evinrude**



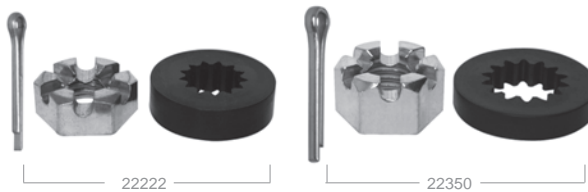
22186	OEM: N/A	Prop Hardware Kit (All Components)
22200	OEM: 175266	Prop Hardware Kit w/out Thrust Washer
22185	OEM: 398042	Prop Nut Kit - 3/4 x 16
22142	OEM: 3852056	Cotter Pin
22190	OEM: 320570	15 Spline Washer
22221	OEM: 3852020	Thrust Washer - 9/16

**Prop Hardware
2 & 3-Cyl. (1975 & Up) Large Gearcase
& V4 (1973 & Up) Small Gearcase
Johnson / Evinrude**



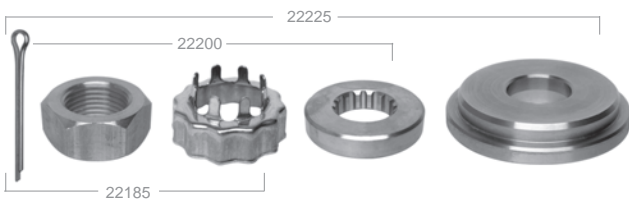
22235	OEM: 5005034	Prop Hardware Kit (All Components)
22340	OEM: 175267	Prop Hardware Kit w/out Thrust Washer
22120	OEM: 314502	Cotter Pin
22150	OEM: 314503	Prop Nut - 5/8 x 11
22250	OEM: 315810	13 Spline Washer
22230	OEM: 127084	19/32" Thick Thrust Washer

**Prop Hardware - 9.9-15 HP &
20-35 HP w/ Thru-Prop Exhaust (1980-05)
Johnson / Evinrude**



9.9-15 HP		
22222	OEM: 175269	Prop Hardware Kit w/out Thrust Washer
20-35 HP w/ Thru Prop Exhaust (1980-2005)		
22350	OEM: 175268	Prop Hardware Kit w/out Thrust Washer

**Prop Hardware - Large Gearcase
V4/V6 "O" Type (1976-1990)
Johnson / Evinrude**



22225	OEM: 434153	Prop Hardware Kit (All Components)
22200	OEM: 175266	Prop Hardware Kit w/out Thrust Washer
22185	OEM: 398042	Prop Nut Kit - 3/4 x 16
22142	OEM: 3852056	Cotter Pin
22190	OEM: 320570	15 Spline Washer
22220	OEM: 333592	Thrust Washer - 9/16

**Prop Thrust Washers & Spline Washers
Johnson / Evinrude**

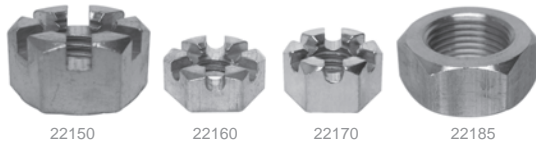


Prop Thrust Washers		
22270	OEM: 319890	3/8" Thick, ϕ 1-3/4" O.D., 20-35 HP, 2-Cyl.
22240	OEM: 320305	15/32" Thick, ϕ 2-1/8" O.D.
22241	OEM: 318966	1/2" Thick, ϕ 1-1/2" O.D., 9.9-15 HP (1974-88)
22220	OEM: 333592	17/32" Thick, ϕ 2-7/8" O.D., "O" Type (1969-90)
22230	OEM: 127084	19/32" Thick, ϕ 2-9/16" O.D.
22242	OEM: 334590	5/8" Thick, ϕ 1-1/2" O.D., 9.9-15 HP (1989 & Up)
22221	OEM: 126870	3/4" Thick, ϕ 2-7/8" O.D., "O & M" Type (1991 & Up)

Prop Spline Washers		
22255	OEM: 323942	13 Spline, ϕ 5/8" Shaft
22260	OEM: 323943	14 Spline, ϕ 13/16" Shaft
22250	OEM: 315810	13 Spline, ϕ 7/8" Shaft
22190	OEM: 320570	15 Spline, ϕ 1.00" Shaft

GLM Products, Inc.

Prop Nuts - Johnson / Evinrude



22150	OEM: 314503	5/8" NC 11
22160	OEM: 318971	7/16" NC 14
22170	OEM: 319891	1/2" NC 13
22185	OEM: 398042	3/4" NC 16 (Prop Nut Kit) Prop Nut, Keeper & Pin

Cotter Pins - Johnson / Evinrude



22100	OEM: 302804	22130	OEM: 320785
22110	OEM: 309955	22140	OEM: 552906
22120	OEM: 314502	22142	OEM: 306394

Prop Tools - Johnson / Evinrude



Prop & Bearing Puller		
90095	OEM: N/A	For All Style Bearing Carrier & Most Prop. (Capacity: 5 ton min.)
Prop Wrenches		
90061	OEM: 91-859046M4	Prop Wrench: 1-1/16", Color: Blue With Built In Tab Bender
90062	OEM: 91-859046M3	Prop Wrench: 5/16", Color: Red
90063	OEM: 91-859046M2	Prop Wrench: 13/16", Color: Yellow
90064	OEM: 91-859046M1	Prop Wrench: 9/16", Color: Purple

PROP SHAFT APPLICATION

Model	Year	Gearcase Type	GLM No.	OEM No.
2 & 3-Cyl. Loopcharged	1975-1988	Small	-	386659
2-Cyl. Loopcharged	1989-2006	Small	22421	439138
2 & 3-Cyl. Loopcharged	1975-2006	Large	22418	439185
V4 All Crossflow	1978-1998	Small (V4 90°)	22416	436888
V4 90° All	1984-1990	"O" Type	22414	395209
V4 90° All	1991-1998	"O" Type	22417	5004765
V4 60°	1995-2006	Small (V4 60°)	22419	436834
V4 60°	1995-2006	"O" Type	22417	5004765
V6 90°	1978-1990	"O" Type	22414	395209
V6 90°	1991-2006	"O" Type	22417	5004765
V6 60°	1991-2006	"O" Type	22417	5004765
V6	2002-2006	"M" Type	22417	5004765

PROP HARDWARE KITS & COMPONENTS APPLICATION

Model	Year	Thrust Washer	Spline Washer	Nut	Pin	Kit w/o T. Washer	Kit with T. Washer
9.9-15	1974-1988	22241	22255	22160	22140	22222	N/A
9.9-15	1989 & Up	22242	22255	22160	22140	22222	N/A
2-Cyl. Crossflow, 20-35 HP, Thru-Prop Exhaust	1980-2005	22270	22260	22170	22130	22350	-
2-Cyl. Loopcharged, 40-60 HP	1972-1985	22240	22250	22150	22120	22340	22245
2-Cyl. Loopcharged, 40-60 HP, w/ Small Grcs.	1986-1988	22240	22250	22150	22120	22340	22245
2-Cyl. Loopcharged, 40-60 HP, w/ Large Grcs.	1986-1988	22230	22250	22150	22120	22340	22235
2-Cyl. Loopcharged, 40-50 HP	1989-2005	22240	22250	22150	22120	22340	22245
2-Cyl. Loopcharged, 55 HP	1989-2005	22230	22250	22150	22120	22340	22235
3-Cyl., 65 + 70 HP	1972-1974	22240	22250	22150	22120	22340	22245
3-Cyl., 65, 70, 75 HP w/ Small Gearcase	1975-1988	22240	22250	22150	22120	22340	22245
3-Cyl., 65, 70, 75 HP w/ Large Gearcase	1975-1988	22230	22250	22150	22120	22340	22235
3-Cyl., 60, 65, 70 HP	1989-2001	22230	22250	22150	22120	22340	22235
3-Cyl., 25, 30, 35 HP	1996-2001	-	22260	22170	22130	-	-
V4, ø 7/8" 13-Spline Prop Shaft	1973 & Up	22230	22250	22150	22120	22340	22235
V4, ø 1" 15-Spline Prop Shaft	1984-1990	22220	22190	22185	22142	22200	22225
V4, ø 1" 15-Spline Prop Shaft	1991 & Up	22221	22190	22185	22142	22200	22186
V6/V8	1976-1990	22220	22190	22185	22142	22200	22225
V6/V8	1991 & Up	22221	22190	22185	22142	22200	22186

TOC
Manifolds-Merc.
Manifolds-OMC
Manifolds-Volvo
Manifolds-Barr
MerCruiser
Merc / Mar / For
OMC / Volvo
Johnson / Evin
Yamaha
Index / X-Ref.
Warranty

GLM Products, Inc.

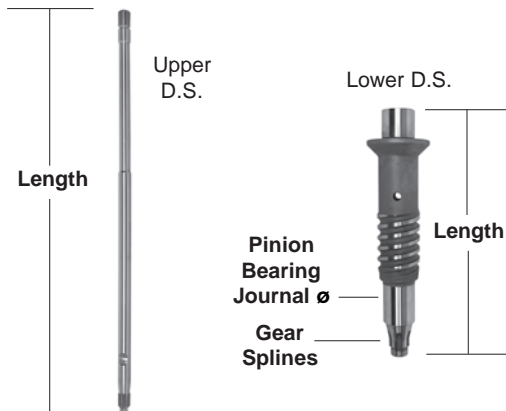
PROP HARDWARE KITS & COMPONENTS APPLICATION CONTINUED...

Model	Year	Thrust Washer	Spacer	Nut	Pin	Kit
9.9/15	1974-78	22241	22255	22160	22140	22222
9.9/15	1989 & Up	22242	22255	22160	22140	22222
20	1985 & Up	22270	22260	22170	22130	22350
25	1985 & Up	22270	22260	22170	22130	22350
30	1985 & Up	22270	22260	22170	22130	22350
35	1976 & Up	22270	22260	22170	22130	22350
40	1984 & Up	22240	22250	22150	22120	22340
45	1985 & Up	22240	22250	22150	22120	22340
48	1987 & Up	22240	22250	22150	22120	22340
50	1972-74	22230	22250	22150	22120	22340
50	1975-76	22240	22250	22150	22120	22340
50	1979	22240	22250	22150	22120	22340
50	1981	22240	22250	22150	22120	22340
50	1982 & Up	22240	22250	22150	22120	22340
55	1977-79	22230	22250	22150	22120	22340
55	1981	22240	22250	22150	22120	22340
55	1983	22230	22250	22150	22120	22340
55	1985 & Up	22230	22250	22150	22120	22340
60	1971	22230	22250	22150	22120	22340
60	1980 & Up	22240	22250	22150	22120	22340
65	1972-73	22230	22250	22150	22120	22340
65 Comm.	1984 & Up	22230	22250	22150	22120	22340
70 (15")	1979-85	22240	22250	22150	22120	22340
70 (20")	1974-94	22230	22250	22150	22120	22340
75 (15")	1975-88	22240	22250	22150	22120	22340
75 (20")	1975-87	22230	22250	22150	22120	22340
85	1971-80	22230	22250	22150	22120	22340
88	1987-94	22230	22250	22150	22120	22340
90	1981-94	22230	22250	22150	22120	22340
100	1971-72	22230	22250	22150	22120	22340
100	1979-94	22230	22250	22150	22120	22340
100 Comm.	1984 & Up	22220	22190	22180 / 22185	22141	22200
110	1987-94	22230	22250	22150	22120	22340
115	1973-94	22230	22250	22150	22120	22340
120	1985	22220	22190	22180 / 22185	22141	22200
120	1986-94	22230	22250	22150	22120	22340
125	1971-72	22230	22250	22150	22120	22340
135	1973-76	22230	22250	22150	22120	22340
140	1977-84	22230	22250	22150	22120	22340
140	1985	22220	22190	22180 / 22185	22141	22200
140	1986-94	22230	22250	22150	22120	22340
150	1978-90	22220	22190	22180 / 22185	22141	22200
150	1991 & Up	22221	22190	22180 / 22185	22141	22200
155 Comm.	1984-90	22220	22190	22180 / 22185	22141	22200
155 Comm.	1991 & Up	22221	22190	22180 / 22185	22141	22200
175	1977-90	22220	22190	22180 / 22185	22141	22200
175	1991 & Up	22221	22190	22180 / 22185	22141	22200
185	1984-90	22220	22190	22180 / 22185	22141	22200
185	1991 & Up	22221	22190	22180 / 22185	22141	22200
200	1986-90	22220	22190	22180 / 22185	22141	22200
200	1991 & Up	22221	22190	22180 / 22185	22141	22200
225	1986-90	22220	22190	22180 / 22185	22141	22200
225	1991 & Up	22221	22190	22180 / 22185	22141	22200
235	1976-90	22220	22190	22180 / 22185	22141	22200
275	1985-90	22220	22190	22180 / 22185	22141	22200
275	1991 & Up	22221	22190	22180 / 22185	22141	22200
3.6 L	1985-90	22220	22190	22180 / 22185	22141	22200
300	1991 & Up	22221	22190	22180 / 22185	22141	22200
1.6 Seadrive	1982-90	22230	22250	22150	22120	22340
2.5 L Seadrive	1984-90	22220	22190	22180 / 22185	22141	22200
2.6 L Seadrive	1982-90	22220	22190	22180 / 22185	22141	22200



GLM Products, Inc.

Upper & Lower Drive Shafts Johnson / Evinrude



Upper Drive Shafts			
22431	OEM: 5000618	Length: 25-1/4"	
22432	OEM: 5000626	Length: 30-1/4"	
22433	OEM: 5000614	Length: 25-11/16"	
22434	OEM: 5000623	Length: 30-11/16"	
22435	OEM: 5000615	Length: 24-3/4"	
22436	OEM: 5000624	Length: 29-3/4"	
Lower Drive Shafts			
22405	OEM: 346004	V4 60°, Small Gearcase	Length: 9-7/16", Journal ø: 1-1/8", Gear Splines: 6
22409	OEM: 346006	V4 90°, Small Gearcase	Length: 8-3/4", Journal ø: 1-1/8", Gear Splines: 6
22407	OEM: 345905	"O" Type, Large Gearcase	Length: 9-1/2", Journal ø: 1-1/8", Gear Splines: 19
22403	OEM: 347371	"M" Type, Large Gearcase	Length: 9-1/2", Journal ø: 1-1/8", Gear Splines: 20
22408	OEM: 335679	V8, Large Gearcase	Length: 10", Journal ø: 1-9/32", Gear Splines: 19

Drive Shaft - Small "New" Style Gearcase 40-50 HP 2-Cyl. Loopcharged (1989-06)



86013	OEM: 342786	Oil Seal (1-Piece)
11422	OEM: 398874	Drive Shaft Bearing
22362	OEM: 317624	Screw
27790	OEM: 435274	Bearing Housing Assy.
82250	OEM: 310324	O-ring
21649	OEM: 333771	Thrust Washer
16370	OEM: 398901	Thrust Bearing
11430	OEM: 382343	Pinion Bearing
11192	OEM: 313339	Pinion Nut

Drive Shaft - Small "Old" Style Gearcase 40-60 HP 2-Cyl. Loopcharged (1975-88) 60-75 HP 3-Cyl. Loopcharged (1975-88) Johnson / Evinrude



86013	OEM: 342786	Oil Seal (1-Piece)
22327	OEM: 909386	Screw
22728	OEM: 387067	Bearing Housing Assy.
82240	OEM: 302588	O-ring
23530	OEM: 320166	Shim 0.003"
23540	OEM: 320167	Shim 0.004"
23550	OEM: 320168	Shim 0.005"
21511	OEM: 385175	Drive Shaft Bearing
11423	OEM: 386766	Pinion Bearing
11192	OEM: 313339	Pinion Nut

Drive Shaft - Large Gearcase 40-60 HP 2-Cyl. Loopcharged (1986-06) 60-75 HP 3-Cyl. Loopcharged (1975-01) Johnson / Evinrude



86460	OEM: 332205	Oil Seal (Top)
86160	OEM: 321466	Oil Seal (Bottom)
86013	OEM: 342786	Oil Seal (1-Piece)
22327	OEM: 909386	Screw
22722	OEM: 385087	Bearing Housing Assy.
22726	OEM: 435519	Bearing Housing Assy.
81340	OEM: 313754	O-ring
23600	OEM: 323889	Shim 0.003"
23610	OEM: 323890	Shim 0.004"
23620	OEM: 317232	Shim 0.005"
21643	OEM: 317230	Thrust Washer
11430	OEM: 382343	Pinion Bearing
11192	OEM: 313339	Pinion Nut

TOC
Manifolds-Merc.
Manifolds-OMC
Manifolds-Volvo
Manifolds-Barr
MerCruiser
Merc / Mar / For
OMC / Volvo
Johnson / Evin
Yamaha
Index / X-Ref.
Warranty

GLM Products, Inc.

Drive Shaft - Small Gearcase V4 60° (1995-2006) & V4 90° (1978-1998) Johnson / Evinrude



86011	OEM: 341280	Oil Seal
22362	OEM: 317624	Screw
22720	OEM: 439476	Bearing Housing Assy.
81380	OEM: 314728	O-ring, Lower
23590	OEM: 323362	Shim 0.003"
23580	OEM: 323361	Shim 0.004"
23510	OEM: 314745	Shim 0.005"
21645	OEM: 327656	Thrust Washer
16330	OEM: 387656	Thrust Bearing
28351	OEM: 338504	Retainer
21139	OEM: 311538	Pin
22405	OEM: 346004	Lower Drive Shaft - V4 60°
22409	OEM: 346006	Lower Drive Shaft - V4 90°
22880	OEM: 384195	Pinion Bearing
11190	OEM: 314730	Pinion Nut

Drive Shaft - Large Gearcase "O" Type (1978-06) & "M" Type (2002-06) V4 & V6 - Johnson / Evinrude



86011	OEM: 341280	Oil Seal
22362	OEM: 317624	Screw
22720	OEM: 439476	Bearing Housing Assy.
81380	OEM: 314728	O-ring, Lower
23590	OEM: 323362	Shim 0.003"
23580	OEM: 323361	Shim 0.004"
23510	OEM: 314745	Shim 0.005"
21645	OEM: 327656	Thrust Washer
16330	OEM: 387656	Thrust Bearing
28351	OEM: 338504	Retainer
21139	OEM: 311538	Pin
22407	OEM: 345905	Lower Drive Shaft - "O" Type
22403	OEM: 347371	Lower Drive Shaft - "M" Type
21610	OEM: 387817	Pinion Bearing
32800	OEM: 350038	Washer, "M" Type
11190	OEM: 314730	Pinion Nut

V4/V6 UPPER DRIVE SHAFT (TWO-PIECE) APPLICATION

Model	Year	20" Standard Transom			25" Long Transom		
		GLM No.	OEM No.	Length	GLM No.	OEM No.	Length
V4 All	1978-1991	23431	5000618	25-1/4"	22432	5000626	30-1/4"
V4 90°	1992-1998	22433	5000614	25-11/16"	22434	5000623	30-11/16"
V4 60°	1995-2006	22435	5000615	24-3/4"	22436	5000624	29-3/4"
V6 All	1976-1991	22431	5000618	25-1/4"	22432	5000626	30-1/4"
V6 90°	1992-2006	22433	5000614	25-11/16"	22434	5000623	30-11/16"
V6 60°	1991-2006	22435	5000615	24-3/4"	22436	5000624	29-3/4"

V4/V6 LOWER DRIVE SHAFT (TWO-PIECE) APPLICATION

Model	Year	Gearcase Type	GLM No.	OEM No.
V4 All Crossflow	1978-1997	Small (V4 90°)	22409	346006
V4 All Crossflow	1984-1997	"O" Type	22407	345905
V4 90° Loopcharged	1985-1998	"O" Type	22407	345905
V4 60°	1995-2006	Small (V4 60°)	22405	346004
V4 60°	1995-2006	"O" Type	22407	345905
V6 90°	1978-2006	"O" Type	22407	345905
V6 60°	1991-2006	"O" Type	22407	345905
V6	2002-2006	"M" Type	22403	347371



TOC

Manifolds-Merc.

Manifolds-OMC

Manifolds-Volvo

Manifolds-Barr

MerCruiser

Merc / Mar / For

OMC / Volvo

Johnson / Evin

Yamaha

Index / X-Ref.

Warranty

GLM Products, Inc.

LOWER HOUSING BEARINGS APPLICATION

HP / Gcs. Type	Year	Drive Shaft Brg./Race	Pinion Bearing	P.Shaft Needle Bearing	Roller Bearing Reverse	Roller Bearing Forward	Roller Bearing Forward	Thrust Brg./Race Reverse	Thrust Brg./Race Forward
2-Cylinder Loopcharged (1975-1985) 40-60 HP									
40 All	1984-1985	21511	11423	22900	22890	-	-	-	-
50 All	1975-1985	21511	11423	22900	22890	-	-	-	-
55 All	1976-1985	21511	11423	22900	22890	-	-	-	-
60 All	1980-1985	21511	11423	22900	22890	-	-	-	-
2-Cylinder Loopcharged (1986-2005) 40-60 HP									
40 Small Old	1986-1988	21511	11423	22900	22890	-	-	-	-
40 Small New	1989-2000	16370/21649	11430	22900	22890	22870	22940	16350/21647	16360/21648
45 Small New	1989-1997	16370/21649	11430	22900	22890	22870	-	16350/21647	16360/21648
45 Large	1987-1997	16320/21643	11430	22860	22870	22870	-	16300/21641	16310/21644
48 Small New	1989-1996	16370/21649	11430	22900	22890	22870	22940	16350/21647	16360/21648
48 Large	1987-1996	16320/21643	11430	22860	22870	22870	-	16300/21641	16310/21644
50 Small Old	1986-1988	21511	11423	22900	22890	-	-	-	-
50 Small New	1989-2005	16370/21649	11430	22900	22890	22870	22940	16350/21647	16360/21648
50 Large	1986-2005	16320/21643	11430	22860	22870	22870	-	16300/21641	16310/21644
55 Small Old	1986-1988	21511	11423	22900	22890	-	-	-	-
55 Small New	1989-2005	16370/21649	11430	22900	22890	22870	-	16350/21647	16360/21648
55 Large	1986-2005	16320/21643	11430	22860	22870	22870	-	16300/21641	16310/21644
60 Small Old	1986-1988	21511	11423	22900	22890	-	-	-	-
60 Large	1986-1988	16320/21643	11430	22860	22870	22870	-	16300/21641	16310/21644
3-Cylinder Loopcharged (1973-2001) 65-75 HP									
65 Large	1973	16320/21643	11430	22860	22870	22870	-	16300/21641	16310/21644
65 Large	1984-2001	16320/21643	11430	22860	22870	22870	-	16300/21641	16310/21644
70 Small	1974-2001	21511	11423	22900	22890	-	-	-	-
75 Small	1979-1985	21511	11423	22900	22890	-	-	-	-
75 Large	1975-1988	16320/21643	11430	22860	22870	22870	-	16300/21641	16310/21644
V4 Gearcase (1978-1983)									
85 All	1978-1980	16330/21645	22880	22860	22870	22870	-	16300/21642	16310/21644
90 All	1981-1983	16330/21645	22880	22860	22870	22870	-	16300/21642	16310/21644
100 All	1980	16330/21645	22880	22860	22870	22870	-	16300/21642	16310/21644
115 All	1978-1983	16330/21645	22880	22860	22870	22870	-	16300/21642	16310/21644
V4 Gearcase (1984 & Up)									
80 Small	1991-1999	16330/21645	22880	22860	22870	22870	-	16300/21642	16310/21644
80 "O" Type	1991-1999	16330/21645	21610	22950	22870	22910	-	16300/21642	16340/21646
90 Small	1984-2003	16330/21645	22880	22860	22870	22870	-	16300/21642	16310/21644
90 "O" Type	1984-1990	16330/21645	21610	11410	22870	22910	-	16300/21642	16340/21646
90 "O" Type	1991-2003	16330/21645	21610	22950	22870	22910	-	16300/21642	16340/21646
100 Small	1984-2005	16330/21645	22880	22860	22870	22870	-	16300/21642	16310/21644
100 "O" Type	1984-1990	16330/21645	21610	11410	22870	22910	-	16300/21642	16340/21646
100 "O" Type	1991-2005	16330/21645	21610	22950	22870	22910	-	16300/21642	16340/21646
115 Small	1984-Up	16330/21645	22880	22860	22870	22870	-	16300/21642	16310/21644
115 "O" Type	1984-1990	16330/21645	21610	11410	22870	22910	-	16300/21642	16340/21646
115 "O" Type	1991-Up	16330/21645	21610	22950	22870	22910	-	16300/21642	16340/21646
120 "O" Type	1985-1990	16330/21645	21610	11410	22870	22910	-	16300/21642	16340/21646
120 "O" Type	1991-1994	16330/21645	21610	22950	22870	22910	-	16300/21642	16340/21646
125 "O" Type	1989-1990	16330/21645	21610	11410	22870	22910	-	16300/21642	16340/21646
125 "O" Type	1991-1998	16330/21645	21610	22950	22870	22910	-	16300/21642	16340/21646

TOC

Manifolds-Merc.

Manifolds-OMC

Manifolds-Volvo

Manifolds-Barr

MerCruiser

Merc / Mar / For

OMC / Volvo

Johnson / Evin

Yamaha

Index / X-Ref.

Warranty

GLM Products, Inc.

LOWER HOUSING BEARINGS APPLICATION CONTINUED...

HP / Gcs. Type	Year	Drive Shaft Brg./Race	Pinion Bearing	P.Shaft Needle Bearing	Roller Bearing Reverse	Roller Bearing Forward	Roller Bearing Forward	Thrust Brg./Race Reverse	Thrust Brg./Race Forward
V4 Gearcase (1984 & Up) Continued...									
130 Small	1995-2000	16330/21645	22880	22860	22870	22870	-	16300/21642	16310/21644
130 "O" Type	1995-2000	16330/21645	21610	22950	22870	22910	-	16300/21642	16340/21646
135 Small	2001-Up	16330/21645	22880	22860	22870	22870	-	16300/21642	16340/21646
135 "O" Type	2001-Up	16330/21645	21610	22950	22870	22910	-	16300/21642	16340/21646
135 "M" Type	2002-Up	16330/21645	21610	-	22870	22910	-	16340/21654	16340/21646
140 Small	1984	16330/21645	22880	22860	22870	22870	-	16300/21642	16310/21644
140 "O" Type	1985-1990	16330/21645	21610	11410	22870	22910	-	16300/21642	16340/21646
140 "O" Type	1991-1994	16330/21645	21610	22950	22870	22910	-	16300/21642	16340/21646
V6 Gearcase (1979-1990)									
150 All	1979-1990	16330/21645	21610	11410	22870	22910	-	16300/21642	16340/21646
155 All	1984-1990	16330/21645	21610	11410	22870	22910	-	16300/21642	16340/21646
175 All	1979-1990	16330/21645	21610	11410	22870	22910	-	16300/21642	16340/21646
185 All	1984-1990	16330/21645	21610	11410	22870	22910	-	16300/21642	16340/21646
200 All	1979-1990	16330/21645	21610	11410	22870	22910	-	16300/21642	16340/21646
225 All	1986-1990	16330/21645	21610	11410	22870	22910	-	16300/21642	16340/21646
235 All	1979-1985	16330/21645	21610	11410	22870	22910	-	16300/21642	16340/21646
V6 Gearcase (1991 & Up)									
150 "O" Type	1991-Up	16330/21645	21610	22950	22870	22910	-	16300/21642	16340/21646
150 "M" Type	2002-Up	16330/21645	21610	22950	22870	22910	-	16340/21654	16340/21646
175 "M" Type	2002-Up	16330/21645	21610	22950	22870	22910	-	16340/21654	16340/21646
175 "O" Type	1991-Up	16330/21645	21610	22950	22870	22910	-	16300/21642	16340/21646
185 "O" Type	1993-1994	16330/21645	21610	22950	22870	22910	-	16300/21642	16340/21646
200 "O" Type	1991-Up	16330/21645	21610	22950	22870	22910	-	16300/21642	16340/21646
200 "M" Type	2002-Up	16330/21645	21610	22950	22870	22910	-	16340/21654	16340/21646
225 "O" Type	1991-Up	16330/21645	21610	22950	22870	22910	-	16300/21642	16340/21646
225 "M" Type	2002-Up	16330/21645	21610	22950	22870	22910	-	16340/21654	16340/21646

OIL SEALS APPLICATION

HP	Year	Prop Shaft	Qty. Req.	Drive Shaft	Qty. Req.	HP	Year	Prop Shaft	Qty. Req.	Drive Shaft	Qty. Req.
1.5, 2, 2.5, 3	1958-1968	-	1	86450	1	10	1989	86190 / 86150	1	86270 / 86150	1
1.5, 2	1968-1990	86450	1	86450	1	14	1988-1990	86190 / 86150	1	86270 / 86150	1
2.5, 4	1973-1980	86450	1	86450	2	15	1974-1983	86180	2	86170	1
2.5	1987	86510	2	86450	2	15	1984-1995	86180	2	86170	1
2.5, 4	1981-1995	-	1	86450	2	18	1957	86410	1	86430	1
3 Weedless	1958-1968	86450	1	-	1	18	1958-1973	86410	1	86430	1
3, 4, 6 Weedless	1968-1982	86400	1	86400	1	20	1981-1982	86190 / 86420	1	86420	1
4	1981-90	86510	2	-	1	20	1983	86190 / 86420	1	86150 / 86420	1
4	1984, 1986-95	-	1	86510	2	20	1984	86120 / 86150	1	86270 / 86420	1
4.5, 7.5	1980-1987	-	1	86510	1	20	1985-1986	85120	1	86200	1
5, 5.5, 6, 7.5	1957-1964	86360	1	86360	1	20	1987-1995	85120	1	86200 / 86520	1
5, 6, 8	1980-1987	-	1	86510	2	25	1969-1976	86410	1	86430	1
6	1965-1967	-	1	86390	1	25	1977-1978	86410	1	86430	1
6	1968-1979	86390	1	86400	1	25	1979-1982	86190 / 86420	1	86420	1
9.5	1964-1973	86360	1	86360	1	25	1983	86190 / 86420	1	86150 / 86420	1
9.9	1974-1983	86180	1	86170	1	25	1984	86190 / 86150	1	86270 / 86420	1
9.9	1984-1995	86180	1	86170	1	25	1985-1986	85120	1	86200	2
10	1957-1958	86410	1	86430	1	25	1987-1995	85120	1	86270 / 86420	1
10	1959-1963	86360	1	86360	1	25 C	1982	86420	1	86420	1
10	1981	86390 (inner)	1	-	1	25 C	1983	86190 / 86150	1	86150 / 86420	1



GLM Products, Inc.

OIL SEALS APPLICATION CONTINUED...

HP	Year	Prop Shaft	Qty. Req.	Drive Shaft	Qty. Req.	HP	Year	Prop Shaft	Qty. Req.	Drive Shaft	Qty. Req.
25 C	1984-1990	86190 / 86150	1	86270 / 86150	1	65 (3-Cyl.)	1972-1973	86030	2	86160	2
28	1962-1964	86350	1	86410	1	65 C	1984-1985	86030	2	86160	2
28	1987-1990	86190 / 86150	1	86270 / 86150	1	65 C	1986-1989	86030	2	86460 / 86160	1
30	1984-1986	85120	1	86200	1	70 (Large)	1974-1985	86030	2	86160	2
30	1987-1995	85120	1	86200 (inner)	1	70 (Large)	1986-1995	86030	2	86460 / 86160	1
33	1965-1976	86350	1	86410	1	70 (Small)	1977-1985	86060	2	86160	2
35	1957-1959	86350	1	86410	1	75 (Manual)	1960-1962	86740	1	86750	1
35	1976	85120	1	86150	2	75 (Large)	1975-1984	86030	2	86160	2
35	1977-1986	85120	2	86200	2	75 (Large)	1986-1987	86030	2	86460 / 86160	1
35	1987-1990	85120	2	86200 (inner)	1	75 (Small)	1975-1984	86060	2	86160	2
40	1960-1961	86350	1	86410	1	80	1966-1968	86740	1	86750	1
40	1962-1973	86350	1	86410	1	85	1969-1970	85110	2	86160	2
40	1974-1976	86350	1	86180	1	85	1971-1972	86030	2	86160	2
40 C	1981-1986	86350	1	86180	2	85	1973-1980	86030	2	85120	2
40	1984-1985	86060	2	86160	2	88	1987-1994	86030	2	86240 / 86250	1
40 (AR, AE, AT)	1988	86030	1	86270 / 86150	1	90	1981-1983	86030	2	85120	2
40	1986-1989	86060	2	86460 / 86150	1	90	1984-1994	86030	2	86240 / 86250	1
45 C	1985	86030	2	86270 / 86150	1	90 Seadrive	1985-1990	86030	2	86240 / 86250	1
45 C	1986	86030	2	86460 / 86150	1	100	1971-1972	86030	2	86160	2
45 C	1987	86030	2	86270 / 86150	1	100	1979-1980	86030	2	85120	2
45 C	1988-1994	86030	2	86270 / 86150	1	100 C	1984-1990	85130	2	86240 / 86250	1
45 C	1995	86030	2	86460 / 86160	1	110	1986-1988	86030	2	86240 / 86250	1
48	1988-1995	86060	2	86460 / 86160	1	115	1969-1970	85110	2	86160	2
50 (Manual)	1971-1974	86030	2	86150	2	115	1973-1983	86030	2	85120	2
50	1975	86060	2	86160	1	115	1984-1985	86030	2	86240 / 86250	1
50	1979	86030	2	86150	2	115	1990-1994	86030	2	86240 / 86250	1
50	1980	86030	2	86160	1	120	1985	85130	2	86240 / 86250	1
50/60 (Pull Start)	1981-1983	86030	2	86150	1	120	1986-1988	86030	2	86240 / 86250	1
50/60 (Electric)	1981-1983	86060	2	86160	1	120	1989	85130	2	86240 / 86250	1
50/60	1984-1985	86060	2	86160	1	120	1990-1994	86030	2	86240 / 86250	1
50/60 (Small)	1986-1987	86060	2	86460 / 86160	1	125	1971-1972	86030	2	86160	2
50/60 (Large)	1986-1987	86030	2	86460 / 86160	1	125 C	1989	85130	2	86240 / 86250	1
50/60	1988-1989	86030	2	86460 / 86160	1	125 C (ESX)	1989	86030	2	86240	1
50	1990-1995	86060	2	86460 / 86160	1	135	1973-1976	86030	2	85120	2
55	1968-1969	85110	2	86160	2	140	1977-1983	86030	2	85120	2
55	1976-1977	86060	2	86160	2	140	1984	86030	2	85120	2
55	1978	86160	1	86160	2	140	1985	85130	2	86240 / 86250	1
55	1979-1983	86030	2	86150	1	140	1986-1994	86030	2	86240 / 86250	1
55 (Electric)	1980-1983	85110	2	86150	2	140 TX	1989	85130	1	86240 / 86250	1
55 C	1984	86030	2	86270 / 86150	1	150	1978-1983	85130	2	85120	2
55 C	1985	86030	2	86270	1	150	1984	85130	2	86240 / 86250	1
55 C	1986	86030	2	86460 / 86160	1	155 C	1984-1985	85130	2	86240 / 86250	1
55 C	1987-1994	86030	2	86270 / 86160	1	155 C	1986-1990	85130	2	86240 / 86250	1
55 C	1995	86030	2	86460 / 86770	1	175	1977-1985	85130	2	85120	2
60 (Manual)	1964-1968	86740	1	86750	1	175	1986-1990	85130	2	86240 / 86250	1
60	1970	85110	1	86160	2	185	1984-1985	85160	2	86240 / 86250	1
60 (3-Cyl.)	1971	86030	2	86160	2	185	1990	85130	2	86240 / 86250	1
60 (Pull Start)	1980-1983	86030	2	86150	2	200	1976-1983	85130	2	85120	2
60 (Electric)	1980-1983	86030	2	86160	2	200	1984-1985	85130	2	86240 / 86250	1
60	1970	85110	1	86160	2	200, 225	1986-1990	85130	2	86240 / 86250	1
60 SST	1989	86060	2	86460 / 86160	1	235	1978-1983	85130	2	85120	2
60 SST	1990	86060	1	86460 / 86160	1	235	1984-1985	85130	2	86240 / 86250	1
60 (3-Cyl.)	1987-1995	86030	2	86460 / 86160	1	275	1985-1988	85130	2	86240 / 86250	1
65 (Manual)	1968	86740	1	86750	1	3.6L, 300	1985-1990	85130	2	86240 / 86250	1

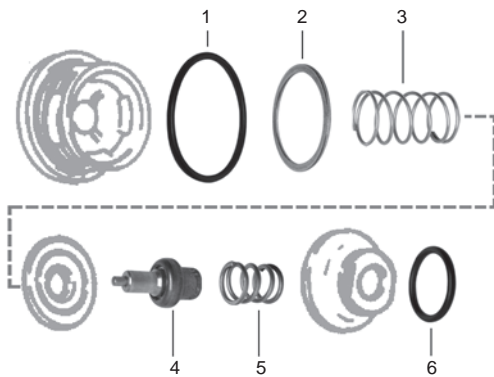
DRIVE SHAFT HOUSING OIL SEALS APPLICATION

HP	Year	Oil Seal	Qty.	Application	HP	Year	Oil Seal	Qty.	Application
5, 6, 6.5, 8	1982-2001	86510	1	Driveshaft to Exhaust Hsg.	80	1961-1968	86060	1	Pivot Shaft
25, 40, 45, 50, 55	1987-1994	86270	1	Exhaust Hsg. to Adapter	85	1961-1968	86060	1	Pivot Shaft
50	1958-1968	86060	1	Pivot Shaft	90	1964-1968	86060	1	Pivot Shaft
60	1958-1968	86060	1	Pivot Shaft	100	1964-1968	86060	1	Pivot Shaft
65	1958-1968	86060	1	Pivot Shaft					
75	1961-1968	86060	1	Pivot Shaft					

GLM Products, Inc.

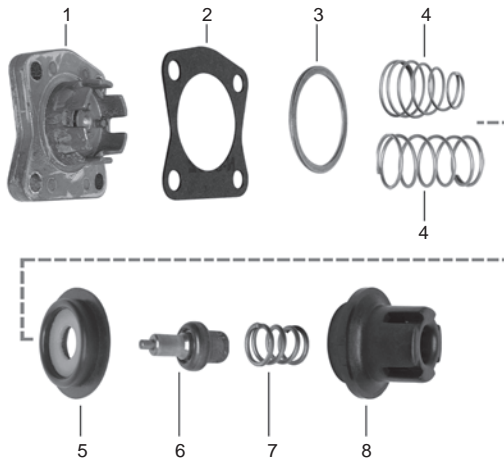
THERMOSTAT ASSEMBLIES

2-Cylinder, 25 & 35 HP (1996-2001)



Ref. No.	GLM No.	OEM No.	Item
1	81290	308458	O-ring
2	21658	336185	Washer
3	11041	336211	Spring
4	13150	436195	Thermostat
5	11038	336179	Spring
6	81170	301967	O-ring

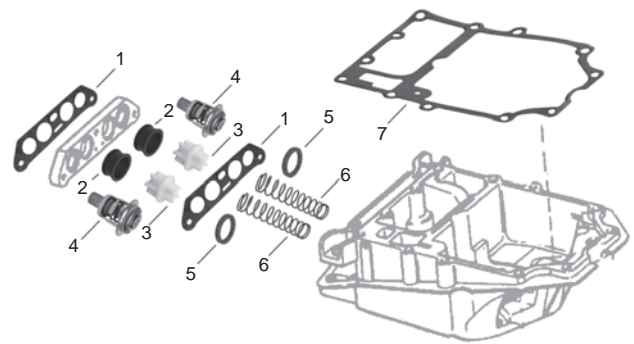
2 & 3-Cylinder & V4 Loopcharged (1992-2000)



Ref. No.	GLM No.	OEM No.	Item
1	13240	343141	Cover
2	35440	329830	Gasket
3	21658	336185	Washer
4*	11041	336211	Spring 60-70 HP (1993) & V4
4	11042	342421	Spring 40-70 HP (1995-1996) & V4
4	11043	343115	Spring 40-70 HP (1997-1998)
4	11044	343020	Spring V4
4	11053	343977	Spring 40-70 HP (1986-2001)
5	46132	435957	Diaphragm
6	13150	436195	Thermostat
7	11038	336179	Spring
8	13570	336178	Thermostat Sleeve

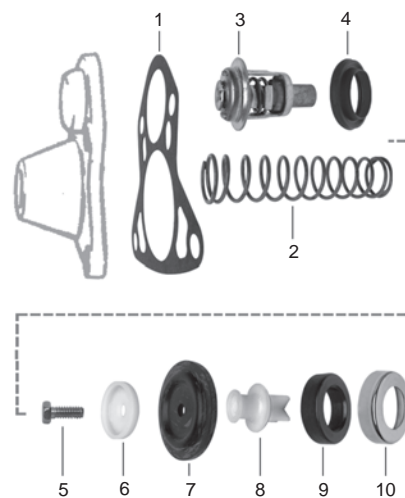
* Use Spring No. 11041 w/ Thermostat Cover No. 339207

V4 Crossflow



Ref. No.	GLM No.	OEM No.	Item
1	33650	332369	Gasket
2	86481	321692	Grommet
3	46170	318395	Valve
4	13010	5005440	Thermostat
5	34440	321932	Gasket
6	46150	317245	Spring
7	34880	318373	Gasket (1973-1977)
7	33640	342513	Gasket (1978-1997)

V6 Crossflow



Ref. No.	GLM No.	OEM No.	Item
1	33600	321184	Gasket
2	46150	317245	Spring
3	13010	5005440	Thermostat
4	30610	310058	Gasket
5	22370	306643	Screw
6	46160	321220	Spring retainer
7	46140	321221	Diaphragm
8	46180	321027	Valve
9	46100	320880	Valve Seat
10	46120	321222	Valve Cup

TOC

Manifolds-Merc.

Manifolds-OMC

Manifolds-Volvo

Manifolds-Barr

MerCruiser

Merc / Mar / For

OMC / Volvo

Johnson / Evinrude

Yamaha

Index / X-Ref.

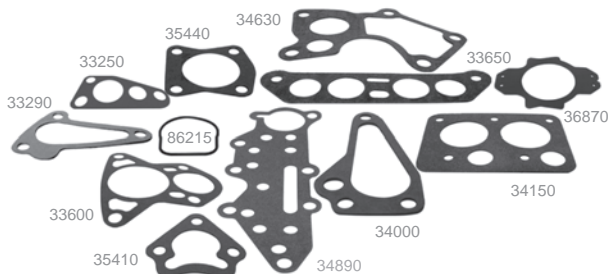
Warranty

Thermostat Covers - Johnson / Evinrude



- 13240** OEM: 343141 50-70 HP (1986 & Up)
- 13730** OEM: 332944 2-Cyl. Loopcharged (1997), V6 Offshore Models
- 13720** OEM: 338632 60° V4 & V6

Thermostat Cover Gaskets Johnson / Evinrude



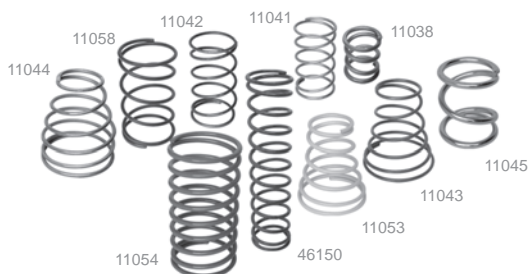
- 35410** OEM: 329076 6-8 HP
- 86215** OEM: 336947 5, 6, 8, 10, 15 HP (1991-2001)
- 33290** OEM: 308328 2-Cyl. Crossflow
- 34000** OEM: 311145 2-Cyl. Crossflow
- 33250** OEM: 305196 2-Cyl. Crossflow
- 34890** OEM: 318917 2-Cyl. Crossflow
- 35440** OEM: 329830 2-Cyl., 3-Cyl. & 90° V4 Loopcharged
- 34630** OEM: 332108 3-Cyl., 49 Cubic inch (1985-1988)
- 34150** OEM: 305586 90° V4 Crossflow
- 33650** OEM: 332369 90° V4 Crossflow
- 33600** OEM: 321184 90° V6 Crossflow
- 36870** OEM: 337068 90° V6 Loopcharged

Thermostat Gaskets - Johnson / Evinrude



- 34130** OEM: 323582 Rubber Grommet - 2-Cyl. Crossflow, 9.9-25 HP Thermostat
- 30610** OEM: 310058 Rubber Grommet - 2-Cyl. Crossflow, 90° V6 Crossflow Thermostat
- 34110** OEM: 329319 Rubber - 2-Cyl. Crossflow, 8-30 HP Thermostat
- 34260** OEM: 313416 Cork - 3-Cyl. Thermostat
- 36590** OEM: 332130 Rubber - 3-Cyl. Thermostat
- 33070** OEM: 339044 Rubber - 60° V4 & V6 Thermostat
- 34440** OEM: 321932 Cork - 90° V4 Crossflow Thermostat
- 86213** OEM: 335981 Pop Off Seat

Thermostat & Valve Springs Johnson / Evinrude



- 11038** OEM: 336179 Thermostat & Valve Spring
- 11041** OEM: 336211 Thermostat & Valve Spring
- 11042** OEM: 342421 Thermostat & Valve Spring
- 11043** OEM: 343115 Thermostat & Valve Spring
- 11044** OEM: 343020 Thermostat & Valve Spring
- 11045** OEM: 337067 Thermostat & Valve Spring
- 11053** OEM: 343977 Thermostat & Valve Spring
- 11054** OEM: 333858 Thermostat & Valve Spring
- 11058** OEM: 338174 Thermostat & Valve Spring
- 46150** OEM: 317245 Thermostat & Valve Spring

Thermostat Housing Components Johnson / Evinrude



- 46110** OEM: 330273 Valve Cup - V4/V6 Loopcharged
- 46120** OEM: 321222 Valve Cup - V6 Crossflow
- 46132** OEM: 435957 Valve Diaphragm - 2-Cyl., 3-Cyl., V4 Loopcharged
- 46130** OEM: 394408 Valve Diaphragm - V4/V6 Loopcharged
- 46140** OEM: 321221 Valve Diaphragm - V6 Crossflow
- 46100** OEM: 320880 Valve Seat - V6 Crossflow
- 46170** OEM: 318395 Valve - V4 Crossflow
- 46180** OEM: 321027 Valve - V6 Crossflow
- 46160** OEM: 321220 Spring Retainer - V6 Crossflow
- 86481** OEM: 321692 Grommet - V4 Crossflow
- 13251** OEM: 343105 Thermostat Sleeve
- 13570** OEM: 336178 Thermostat Sleeve - 2-Cyl., 3-Cyl., & V4 Loopcharged
- 13580** OEM: 337533 Thermostat Sleeve - 90° V6 Loopcharged
- 21658** OEM: 336185 Washer - 2-Cyl., 3-Cyl. & V4 Loopcharged
- 10563** OEM: 126776 Elbow (5/16") - 60-70 HP (1988 & Up)
- 10561** OEM: 321886 Elbow (1/4") - 9.9-15 HP (1978-95), 20-35 HP (1978-90), 3-Cyl., V4 (1978 & Up), V6 (1978-1992) 40-60 HP 2-Cyl. (1978-90), (1978-91)
- 10562** OEM: 331894 Elbow (3/8") - V6 (1987-90) Loopcharged w/ Pwr Strng, V8 (1986-91) w/ Pwr Strng

GLM Products, Inc.

Water Pump Impeller Identification

Water Pump Impellers can be divided into two distinct groups. **High volume** water pumps use **long vane** Impellers, while **high pressure** water pumps use **short vane** Impellers.



High Volume / Long Vane



High Pressure / Short Vane

See Guide below for Identification, Dimensions & Keys*

*Keys are not included with impellers & must be ordered separately.

High Volume / Long Vane	
89660 OEM: 777213 Outside ø: 2.750" Inside ø: .625" Key: 89595 OEM: 308928	
89580 OEM: 434424 Outside ø: 2.50" Inside ø: .425" Key: 89594 OEM: 300611	
89650 OEM: 775518 Outside ø: 2.50" Inside ø: .500" Key: 89594 OEM: 300611	
89670 OEM: 775519, 377178 Outside ø: 2.50" Inside ø: .550" Key: 89594 OEM: 300611	
89480 OEM: 775521 Outside ø: 2.750" Inside ø: .625" Key: 89595 OEM: 308928	
89690 OEM: 389589 Outside ø: 2.750" Inside ø: .625" Key: 89594 OEM: 300611	
89780 OEM: 396809 Outside ø: 2.750" Inside ø: .625" Key (included): 89593 OEM: 330619	
89790 OEM: 432941 (Includes O-ring No. 81250) Outside ø: 3.600" Inside ø: .750" Key: 89592 OEM: 334897	

High Volume / Long Vane continued...	
89940 OEM: 382547 Outside ø: 3.600" Inside ø: .750" Key: 89595 OEM: 308928	
89710 OEM: 396725 Outside ø: 3.600" Inside ø: .753" Keys included: 89591 - 89592 OEM: 331901 - 334897	
89470 OEM: 377992 Outside ø: 4.20" Inside ø: .750" Key: 89595 OEM: 308928	
89612 OEM: 385072 Outside ø: 3.500" Inside ø: .750" Key: 89595 OEM: 308928	
89680 OEM: 777212 Outside ø: 3.500" Inside ø: .875" Key: 89595 OEM: 308928	
89570 OEM: 5001593 Includes O-rings & Seals Outside ø: 3.50" Inside ø: .875" Key included: 89590 OEM: 331107	
High Pressure / Short Vane	
89490 OEM: 387361 Outside ø: 1.50" Inside ø: .440" Key: N/A - Pin OEM: 321130	
89500 OEM: 389576, 436137 Outside ø: 1.50" Inside ø: .440" Key: 89594 OEM: 300611	
89770 OEM: 386084 Outside ø: 1.50" Inside ø: .500" Key: 89594 OEM: 300611	
89750 OEM: 395289 Outside ø: 1.975" Inside ø: .625" Key included: 89593 OEM: 344470	
89990 OEM: 390286 Outside ø: 2.00" Inside ø: .690" Key: 89595 OEM: 308928	

TOC
 Manifolds-Merc.
 Manifolds-OMC
 Manifolds-Volvo
 Manifolds-Barr
 MerCruiser
 Merc / Mar / For
 OMC / Volvo
 Johnson / Evin
 Yamaha
 Index / X-Ref.
 Warranty

TOC

Manifolds-Merc.

Manifolds-OMC

Manifolds-Volvo

Manifolds-Barr

MerCruiser

Merc / Mar / For

OMC / Volvo

Johnson / Evin

Yamaha

Index / X-Ref.

Warranty

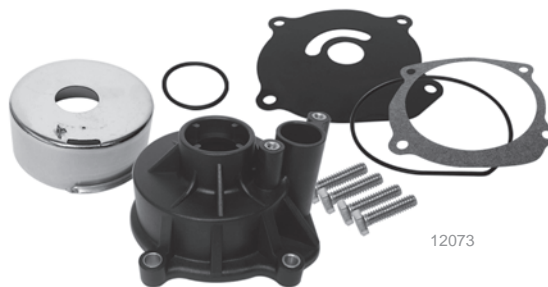
**Complete Water Pump Housing Kits
Johnson / Evinrude**



12102

15 HP & Below		
12065	OEM: N/A	2-Stroke 4, 4.5, 5, 6, 7.5, 8 HP (1980 & Up)
12050	OEM: 394711	9.9, 15 HP (1974 & Up) 4-Stroke, 9.9-15 HP (1994 & Up)
18-40 HP 2-Cylinder Crossflow		
12070	OEM: 393630	20-35 HP w/ thru-prop exhaust & one-piece gearcase (1980-2005)
12060	OEM: 395270	18, 25, 28 HP w/ thru cavitation plate exhaust & two-piece gearcase (1979-1998)
12247	OEM: 391741	40 HP (1974-1976), 40 Comm. w/ thru-cavitation plate exhaust & two-piece gearcase (1981-1987)
2 & 3-Cylinder Loopcharged		
12232	OEM: 389133	Small gearcase w/ small water pump & half-moon key (1971-78)
12210	OEM: 439077	Small gearcase w/ small water pump & plastic wedge key (1984-94)
12235	OEM: 5000308	40, 45, 55 HP (1995-2005), 40, 50, 60 HP Large gearcase w/ large water pump & six vane impeller (2004-05)
12245	OEM: 438592	40, 45, 48, 50 HP Small Gearcase w/ large water pump & 3 vane impeller (1989-2005)
12233	OEM: 437907	3-Cyl., 25, 30, 35 HP (1996-2001)
12246	OEM: 432955	3-Cyl., 65, 70, 75 HP Large gearcase w/ large water pump & plastic wedge key (1986-2001)
12244	OEM: 438579	3-Cyl., 70, 75 HP Large gearcase w/ large water pump & half-moon key (1974-1978)
12240	OEM: 438602	2-Cyl., 40-60 HP Large grcs (1979-05) 3-Cyl., 65, 70, 75 HP Large gearcase w/ large water pump & plastic wedge impeller key
V4 / V6 / V8		
12101	OEM: 395073	V4 (1977-78) & V6 (1976-78) with mech/hydraulic shift & half-moon key
12102	OEM: 5001594	V4/V6/V8 (1979-2006) with 20" shaft & plastic wedge key.
12000	OEM: 5001595	V4/V6/V8 (1979-2006) with 25" & 30" shaft & plastic wedge key.
12181	OEM: 5007556	V4 (2009 & Up) 115-130 HP with plastic wedge key.

**Water Pump Housing Kits
Johnson / Evinrude**



12073

12103	OEM: 395072	V4/V6/V8
12073	OEM: N/A	V4/V6/V8

**Water Pump Kits without Housing
Johnson / Evinrude**



12104

12255	OEM: 396644	2-Stroke 4, 4.5, 5, 6, 7.5, 8 HP (1980 & Up)
12072	OEM: N/A	V4/V6 (1978 & Before)
12104	OEM: N/A	V4/V6/V8 (1979 & Up)

**Water Pump Impeller Kits
Johnson / Evinrude**



12106

12108	OEM: N/A	3-5 HP (1952-78), 4 HP (1969-83), 5 HP (1965-68), 5.5 HP (1954-79), 6 HP (1954-79), 7.5 HP (1954-58)
12105	OEM: N/A	V4/V6 (1978 & Before)
12106	OEM: N/A	V4/V6/V8 (1979 & Up)

GLM Products, Inc.

**Water Pump Cups & Wear Plates
Johnson / Evinrude**



Pump Cup & Wear Plate Assembly

12880 OEM: 435027 V4, V6 & V8 (Includes 12811 & 12580)

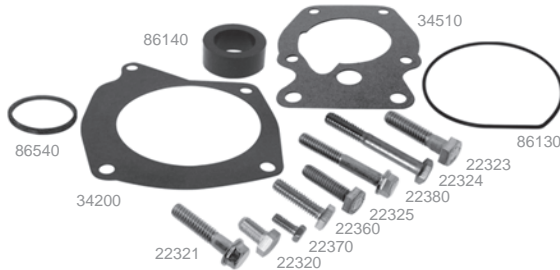
Water Pump Cups

- 12818** OEM: 324641 4-8 HP
- 12813** OEM: 324097 8, 9.9 & 15 HP
- 12812** OEM: 328751 18-35 HP 2-Cyl. Crossflow, 3-Cyl.
- 12816** OEM: 325397 40 HP 2-Cyl. Crossflow
- 12815** OEM: 328751 2-Cyl. Loopcharged, 3-Cyl.
- 12814** OEM: 328751 2-Cyl. Loopcharged
- 12811** OEM: 338486 V4, V6 & V8

Wear Plates

- 12600** OEM: 203132 Wear Plate (See Applications)
- 12555** OEM: 324640 Wear Plate (See Applications)
- 12610** OEM: 318995 8, 9.5 & 15 HP
- 12630** OEM: 328755 2-Cyl. Cross, 3-Cyl. Loop w/ Thru-Prop Ex.
- 12640** OEM: 329391 1 & 2-Cyl. Crossflow w/ Thru-Cav Plate Ex.
- 12564** OEM: 325398 40 HP 2-Cyl. Crossflow
- 12551** OEM: 341038 2-Cyl. Loopcharged, 3-Cyl.
- 12620** OEM: 320981 2-Cyl. Loopcharged
- 12580** OEM: 338485 V4, V6 & V8

Water Pump Components



- 34200** OEM: 309204 Gasket, Impeller Hsg. - Electric Shift
- 34510** OEM: 325535 Gasket, Plate to Hsg. - 35 HP Water Pump
- 86140** OEM: 305762 Grommet
- 86130** OEM: 321120 Plate Seal
- 86540** OEM: 332000 Plate Seal
- 22360** OEM: 302325 Screw - 1/4-20 x 1
- 22380** OEM: 323626 Screw - 1/4-20 x 1-7/8
- 22323** OEM: 331979 Screw - 1/4-20 x 1-1/8
- 22320** OEM: 908158 Screw - 1/4-20 x 1/2
- 22370** OEM: 306643 Screw - #10-24 x 1/2
- 22321** OEM: 324334 Screw - 1/4-20 x 1-1/8
- 22324** OEM: 331980 Screw - 1/4-20 x 2
- 22325** OEM: 909533 Screw - 1/4-20 x 1

**Water Pump Housings & Impellers
Johnson / Evinrude**



Water Pump Housings

- 12436** OEM: 389577 4-8 HP
- 12460** OEM: 435390 8, 9.9 & 15 HP
- 12470** OEM: 393632 20, 25, 35 HP w/ Thru-Prop Exhaust
- 12440** OEM: 330560 18, 25, 28 HP w/ Thru-Cav Plate Exhaust
- 12474** OEM: 390613 40 HP 2-Cyl. Crossflow
- 12480** OEM: 393632 2-Cyl. Loopcharged
- 12450** OEM: 384087 2-Cyl. Loopcharged
- 12482** OEM: 438545 2-Cyl. Loopcharged
- 12400** OEM: 438543 2-Cyl. Loopcharged, 3-Cyl.
- 12472** OEM: 339720 3-Cylinder
- 12430** OEM: 435990 w/ Spray Hole - V4, V6 & V8, 25" & 30"
- 12395** OEM: 435959 w/o Spray Hole - V4, V6 & V8, 20"
- 12399** OEM: 5007554 115-130 HP - V4 (2009 & Up)

Water Pump Impellers

- 89490** OEM: 387361 1.5, 2 & 4 HP
- 89580** OEM: 434424 3, 4, 5, 5.5, 6, 7.5 HP
- 89500** OEM: 389576 4, 4.5, 5, 6, 7.5, 8 HP
- 89670** OEM: 775519 9.5 HP (1964-1973)
- 89770** OEM: 386084 8, 9.9 & 15 HP (1974 & Up)
- 89650** OEM: 775518 2-Cyl. Crossflow
- 89750** OEM: 395289 2-Cyl. Crossflow (w/ Key No. 89593)
- 89660** OEM: 777213 2-Cyl. Crossflow
- 89480** OEM: 775521 2-Cyl. Crossflow
- 89990** OEM: 390286 2-Cyl. Crossflow
- 89790** OEM: 437059 2-Cyl. Loopcharged (w/ O-ring No. 81250)
- 89690** OEM: 777129 2-Cyl. Loopcharged
- 89780** OEM: 777214 2 & 3-Cyl. Loopcharged (w/ Key No. 89593)
- 89710** OEM: 396725 2 & 3-Cyl. Loop (w/ Keys No. 89591 & 89592)
- 89940** OEM: 382547 3-Cyl. Loopcharged
- 89470** OEM: 377992 V4 (1958-1968)
- 89612** OEM: 385072 V4 (1969-1972)
- 89680** OEM: 777212 V4, V6 (1973-1978)
- 89570** OEM: 5001593 V4, V6 & V8 (1979 & Up) (w/ Key 89590, Seal 86660 & O-rings 81160 & 82129)

Impeller Keys

- 89594** OEM: 300611 Key - Pin, Stainless Steel
- 89596** OEM: 300771 Key - Pin, Stainless Steel
- 89595** OEM: 308928 Key - Half-moon, Stainless Steel
- 89592** OEM: 334897 Key - Wedge, Plastic Black
- 89591** OEM: 331901 Key - Wedge, Plastic White
- 89593** OEM: 344470 Key - Wedge, Plastic White
- 89590** OEM: 331107 Key - Wedge, Plastic White

GLM Products, Inc.

TOC

Manifolds-Merc.

Manifolds-OMC

Manifolds-Volvo

Manifolds-Barr

MerCruiser

Merc / Mar / For

OMC / Volvo

Johnson / Evin

Yamaha

Index / X-Ref.

Warranty

WATER PUMP KITS & COMPONENTS APPLICATION

HP / Model	Year	Impeller	Wear Plate	Pump Cup	Pump Housing	Service Kit w/o Hsg.	Complete Water Pump Kit
1.5 HP - 15 HP							
1.5	1968-70	89490	-	-	-	-	-
2	1971-88	89490	-	-	-	-	-
3	1952-68	89580	12600	-	-	12108	-
3, 4	1991-96	-	-	12818	-	-	-
4	1969-72	89580	12600	-	-	12108	-
4 (90)	1973-80	89490	-	-	-	-	-
4 (110)	1973-82	89580	12600	-	-	12108	-
4 (90)	1981-90	89500	-	12818	-	-	-
4 Deluxe	1985-88	89500	12555	12818	12436	12255	12065
4 Deluxe	1989-96	-	12555	12818	-	-	-
4.5	1980-84	89500	12555	12818	12436	12255	12065
5	1965-68	89580	12600	-	-	12108	-
5	1986-90	89500	12555	12818	12436	12255	12065
5 4-Stroke	1998-	89500	12555	12818	12436	12255	12065
5.5	1956-64	89580	12600	-	-	-	-
6	1965-79	89580	12600	-	-	-	-
6	1984-96	89500	12555	12818	12436	12255	12065
6 4-Stroke	1998-	89500	12555	12818	12436	12255	12065
7.5	1954-58	89580	12600	-	-	12108	-
7.5	1980-83	89500	12555	12818	12436	12255	12065
8	1984-96	89500	12555	12818	12436	12255	12065
8 4-Stroke	1995-	89770	12610	12813	12460	-	12050
9.5	1964-73	89670	-	-	-	-	-
9.9 2-Stroke	1974-96	89770	12610	12813	12460	-	12050
9.9 4-Stroke	1995-01	89770	12610	12813	12460	-	12050
10	1956-63	89650	-	-	-	-	-
15	1953-56	89650	-	-	-	-	-
15 2-Stroke	1974-96	89770	12610	12813	12460	-	12050
15 4-Stroke	1995-01	89770	12610	12813	12460	-	12050
18-40 HP 2-Cylinder Crossflow							
18	1957-73	89650	-	-	-	-	-
18	1997-98	89750	12640	12812	12440	-	12060
20	1966-67	89650	-	-	-	-	-
20 Thru-Prop	1985-98	89750	12630	12812	12470	-	12070
25	1969-78	89650	-	-	-	-	-
25	1969-78	89650	-	-	-	-	-
25	1979-05	89750	12640	12812	12440	-	12060
25 Thru-Prop	1985-05	89750	12640	12812	12470	-	12070
28	1962-64	89480	-	-	-	-	-
28	1986-98	89750	12640	12812	12440	-	12060
30	1956	89480	-	-	-	-	-
33	1965-70	89480	-	-	-	-	-
35	1957-58	89480	-	-	-	-	-
35 w. Therm.	1958-59	89660	-	-	-	-	-
35 Thru-Prop	1980-96	89750	12630	12812	12470	-	12070
40	1960-70	89660	-	-	-	-	-
40	1971-73	89480	-	-	-	-	-
40	1974-76	89990	12564	12816	12474	-	12247
40	1981-87	89990	12564	12816	12474	-	12247



GLM Products, Inc.

WATER PUMP KITS & COMPONENTS APPLICATION

HP / Model	Year	Impeller	Wear Plate	Pump Cup	Pump Housing	Service Kit w/o Hsg.	Complete Water Pump Kit
40-60 HP 2-Cylinder Loopcharged							
40 Small Housing	1984-88	89780	12620	12814	12450	-	12210
40 Small Housing	1989-98	89790	12551	12815	12480	-	12245
40 Comm. Small Housing	1993-94	89780	12620	12815	12480	-	12210
40 Large Housing	1995-05	89710	12551	12815	12482	12252	12235
45 Comm. Small Housing	1986-94	89780	12620	12814	12450	-	12210
45 Comm. Large Housing	1995-05	89710	12551	12815	12482	12252	12235
48 Small Housing	1987-88	89780	12620	12814	12450	-	12210
48 Small Housing	1989-98	89790	12551	12815	12480	-	12245
50 Small Housing	1971-78	89660	12620	12814	12450	-	12232
50 Small Housing	1979-85	89690	12620	12814	12450	-	-
50 Small Housing	1986-88	89780	12620	12814	12450	-	12210
50 Small Housing	1989-98	89790	12551	12815	12480	-	12245
55 Comm. Small Housing	1986-94	89780	12620	12814	12450	-	12210
55 Large Housing	1995-05	89710	12551	12815	12482	12252	12235
60 Small Housing	1980-85	89690	12620	12814	12450	-	12210
60 Large Housing	1986-88	89710	12551	12815	12400	12252	12240
3-Cylinder							
25, 35	1995-01	89750	12630	12812	12472	-	12233
55	1968-69	89940	-	-	-	-	-
60	1970-71	89940	-	-	-	-	-
60	1989-01	89710	12551	12815	12400	12252	12246
60 4-stroke	1998-Up	89710	12551	12815	12400	12252	12246
65	1972-73	89940	-	-	-	-	-
65	1979-01	89710	12551	12815	12400	12252	12246
70	1974-78	89940	12551	12815	12400	-	12244
70	1979-94	89710	12551	12815	12400	12252	12246
70 4-stroke	1998-Up	89710	12551	12815	12400	12252	12246
75	1974-78	89940	12551	12815	12400	-	12244
75	1979-88	89710	12551	12815	12400	12252	12246
V4							
All V4	1958-68	89470	-	-	-	-	-
85	1969-72	89612	-	-	-	-	-
85	1973-77	89680	-	-	-	-	-
85 25" Shaft	1977	89680	12580	12811	12430	12072	12101
85	1978	89680	12580	12811	12430	12072	12101
85	1979-80	89570	12580	12811	12430	12104	12102
90	1981-94	89570	12580	12811	12430	12104	12102
90 20" Shaft	1995-03	89570	12580	12811	12430	12104	12102
90 25" Shaft	1995-03	89570	12580	12811	12395	12104	12000
100	1971-72	89612	-	-	-	-	-
100	1979-80	89570	12580	12811	12430	12072	12101
100	1984-97	89570	12580	12811	12430	12104	12102
100 20" Shaft	1998-05	89570	12580	12811	12430	12104	12102
100 25" Shaft	1998-05	89570	12580	12811	12395	12104	12000
105	1998-01	89570	12580	12811	12395	12104	12000
115	1973-77	89680	-	-	-	-	-
115 25" Shaft	1977	89680	12580	12811	12430	12072	12101
115	1978	89680	12580	12811	12430	12072	12101
115	1979-94	89570	12580	12811	12430	12104	12102

GLM Products, Inc.

WATER PUMP KITS & COMPONENTS APPLICATION

HP / Model	Year	Impeller	Wear Plate	Pump Cup	Pump Housing	Service Kit w/o Hsg.	Complete Water Pump Kit
V4 Continued...							
115 20" Shaft	1995-06	89570	12580	12811	12430	12104	12102
115 25" Shaft	1995-06	89570	12580	12811	12395	12104	12000
120 20" Shaft	1985-94	89570	12580	12811	12430	12104	12102
120 25" Shaft	1985-94	89570	12580	12811	12395	12104	12000
125	1971-72	89612	-	-	-	-	-
130 20" Shaft	1995-98	89570	12580	12811	12430	12104	12102
130 25" Shaft	1995-98	89570	12580	12811	12395	12104	12000
135	1973-76	89680	-	-	-	-	-
135 20" Shaft	2000-06	89570	12580	12811	12430	12104	12102
135 25" Shaft	2000-06	89570	12580	12811	12395	12104	12000
140	1977-78	89680	12580	12811	12430	12072	12101
140	1979-84	89570	12580	12811	12430	12104	12102
140 20" Shaft	1985-94	89570	12580	12811	12430	12104	12102
140 25" Shaft	1985-94	89570	12580	12811	12395	12104	12000
V6							
150	1978	89680	12580	12811	12430	12072	12101
150	1979-92	89570	12580	12811	12430	12104	12102
150 20" Shaft	1993-06	89570	12580	12811	12430	12104	12102
150 25" Shaft	1993-06	89570	12580	12811	12395	12104	12000
175	1977-78	89680	12580	12811	12430	12072	12101
175	1979-92	89570	12580	12811	12430	12104	12102
175 20" Shaft	1993-06	89570	12580	12811	12430	12104	12102
175 25" Shaft	1993-06	89570	12580	12811	12395	12104	12000
185	1984-92	89570	12580	12811	12430	12104	12102
185 20" Shaft	1993-94	89570	12580	12811	12430	12104	12102
185 25" shaft	1993-94	89570	12580	12811	12395	12104	12000
200	1976-78	89680	12580	12811	12430	12072	12101
200	1979-92	89570	12580	12811	12430	12104	12102
200 20" Shaft	1993-06	89570	12580	12811	12430	12104	12102
200 25" 30"	1993-06	89570	12580	12811	12395	12104	12000
225	1986-92	89570	12580	12811	12430	12104	12102
225 20" Shaft	1993-06	89570	12580	12811	12430	12104	12102
225 25" 30"	1993-06	89570	12580	12811	12395	12104	12000
235	1978	89680	12580	12811	12430	12072	12101
235	1979-85	89570	12580	12811	12430	12104	12102
250 20" Shaft	2006	89570	12580	12811	12430	12104	12102
250 25" 30"	2006	89570	12580	12811	12395	12104	12000
V8							
250	1991-92	89570	12580	12811	12430	12104	12102
250 20" Shaft	1993-98	89570	12580	12811	12430	12104	12102
250 25" 30"	1993-98	89570	12580	12811	12395	12104	12000
275	1985-88	89570	12580	12811	12430	12104	12102
300	1985-92	89570	12580	12811	12430	12104	12102
300 20" Shaft	1993-95	89570	12580	12811	12430	12104	12102
300 25" 30"	1993-95	89570	12580	12811	12395	12104	12000



GLM Products, Inc.

GLM's Exclusive Marine Pistons

- Fully Machined Hypereutectic Pistons
- Featuring a Hard Anodizing Coating on Top
- Resisting Temperatures up to 1560°F
- Hardness: HV280-400
- Pistons are T-6 Heat Treated
- GLM Pistons are 100% Cast



	Casting	Forging
Pros	Low expansion rate Lighter weight Longer life, Lower costs	Greater Strength
Cons	Less strength but compensated by strong mold process	Heavier weight High expansion rate Shorter Life, Higher costs
Verdict	For Recreational & General use	High Performance Purposes

Piston Ring Coatings Comparison

Did you know sometimes as much as 30% of engine friction comes from the piston rings? Therefore, 2-ring pistons have less friction than 3-ring pistons.

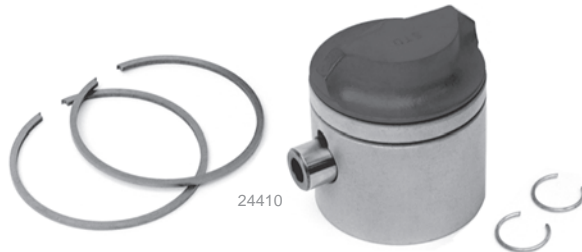
To minimize piston ring friction in the engine you should:

- Choose the right ring tension and coating
- If oversize, check that the bore size is correct
- Change the engine oil regularly

Ring Coating	Scuff Resistance	Wear Resistance
Plain	Poor	Low
Plasma Moly	Excellent	Good
Nitriding	Average	Excellent
Chrome	Average	Excellent

Warning: GLM Products, Inc. will not cover the warranty for non-authorized marine engine boring services.

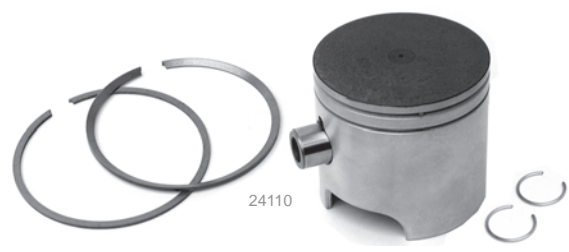
Pistons - 2-Cyl. Crossflow 9.9 & 15 HP (1981-92) (ø2.1875")



Pistons come with rings, pin & retainer. Rings come 2 in a set.

Pistons		
24410	OEM: 5006670	Size: ø 2.1875"
24420	OEM: N/A	Size: ø 2.1875" + .020
24430	OEM: 5006662	Size: ø 2.1875" + .030
Rings		
23710	OEM: 386279	Size: ø 2.1875"
23720	OEM: N/A	Size: ø 2.1875" + .020
23730	OEM: 386280	Size: ø 2.1875" + .030

Pistons - 2-Cyl. Loopcharged 40-60 HP (1980-94) (ø3.1875")



Pistons come with rings, pin & retainer. Rings come 2 in a set.

Pistons		
24110	OEM: 5006655	Size: ø 3.1875"
24112	OEM: N/A	Size: ø 3.1875" + .020
24130	OEM: 5006665	Size: ø 3.1875" + .030
Rings		
24310	OEM: 391170	Size: ø 3.1875"
24320	OEM: N/A	Size: ø 3.1875" + .020
24330	OEM: 391416	Size: ø 3.1875" + .030

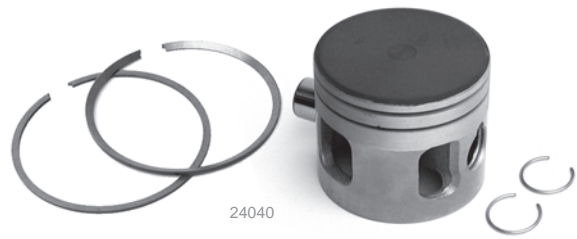
Pistons - 2-Cyl. Crossflow 20, 25, 30 & 35 HP (1981-94) (ø3.000")



Pistons come with rings, pin & retainer. Rings come 2 in a set.

Pistons		
23910	OEM: 5006657	Size: ø 3.000"
23920	OEM: N/A	Size: ø 3.000" + .020
23930	OEM: 5006664	Size: ø 3.000" + .030
Rings		
24240	OEM: 396377	Size: ø 3.000"
24260	OEM: N/A	Size: ø 3.000" + .020
24280	OEM: 396379	Size: ø 3.000" + .030

Pistons - 3-Cyl. Loopcharged 60, 65, 70 & 75 HP (1976-88) (ø3.000")




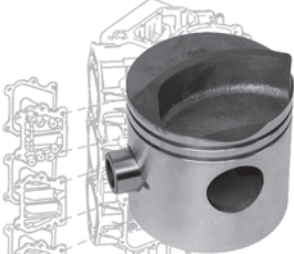
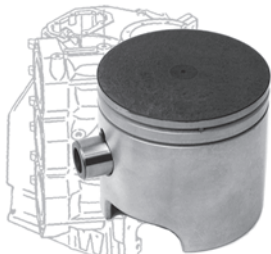

Pistons come with rings, pin & retainer. Rings come 2 in a set.

Pistons		
24040	OEM: 5006751	Size: ø 3.000"
24060	OEM: N/A	Size: ø 3.000" + .020
24080	OEM: 5006666	Size: ø 3.000" + .030
Rings		
24240	OEM: 396377	Size: ø 3.000"
24260	OEM: N/A	Size: ø 3.000" + .020
24280	OEM: 396379	Size: ø 3.000" + .030

TOC
Manifolds-Merc.
Manifolds-OMC
Manifolds-Volvo
Manifolds-Barr
MerCruiser
Merc / Mar / For
OMC / Volvo
Johnson / Evin
Yamaha
Index / X-Ref.
Warranty

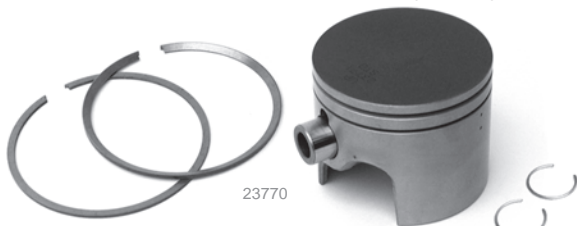
GLM Products, Inc.

The Four Basic Piston Designs used in Mercury / Mariner / Force engines are:

DFI	Crossflow	Loopcharged	Four-Stroke
<i>Piston with Dome Top and Splash Well</i>	<i>Piston with Deflector Top</i>	<i>Piston with Flat Top</i>	<i>Piston with Flat Top & Oil-ring in the Bottom Position</i>
			
Standard Ring Set	Removeable Transfer Port Cover	Non-Removeable Transfer Port Cover	3 Rings w/ Oil Control Ring in Bottom Position

Pistons - 3-Cyl. Loopcharged 60, 65, 70 & 75 HP (1986-94) (ø3.1875")

These pistons come with Keystone (triangular) rings

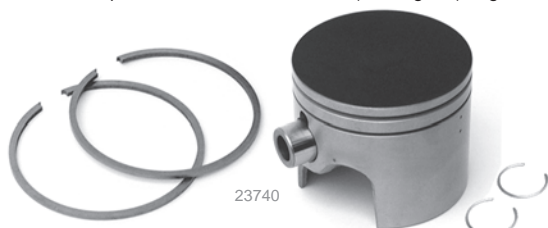


Pistons come with rings, pin & retainer. Rings come 2 in a set.

Pistons		
23770	OEM: 5006701	Size: ø 3.1875"
23780	OEM: N/A	Size: ø 3.1875" + .020
23790	OEM: 5006702	Size: ø 3.1875" + .030
Rings		
24310	OEM: 391170	Size: ø 3.1875"
24320	OEM: N/A	Size: ø 3.1875" + .020
24330	OEM: 391416	Size: ø 3.1875" + .030

Pistons - 3-Cyl. Loopcharged 60, 65 & 70 HP (1994-01) (ø3.1875")

These pistons come with traditional (rectangular) rings



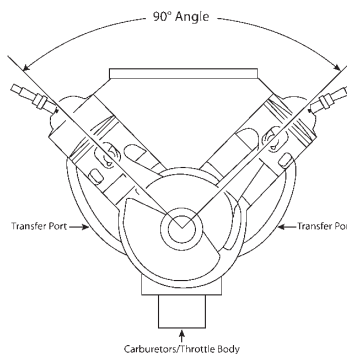
Pistons come with rings, pin & retainer. Rings come 2 in a set.

Pistons		
23740	OEM: 5006694	Size: ø 3.1875"
23750	OEM: 5006707	Size: ø 3.1875" + .020
23760	OEM: 5006695	Size: ø 3.1875" + .030
Rings		
24540	OEM: 436972	Size: ø 3.1875"
24550	OEM: N/A	Size: ø 3.1875" + .020
24560	OEM: 436973	Size: ø 3.1875" + .030

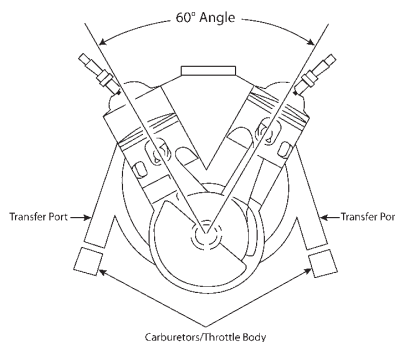
Difference in Engine Designs Johnson / Evinrude V4 & V6 60° vs. 90°

Johnson / Evinrude outboards were the first to break away from the inline cylinder engine concept. In 1958 they introduced a V4 outboard to the marine industry. This outboard had the cylinder walls configured into a 90 degree V shape. In 1976 two more cylinders were added and the 90 degree V6 was born. As casting techniques improved a more compact 60 degree V6 engine was introduced in 1991 followed by the 60 degree V4 in 1995. Other than a narrower profile the difference between an older 90 degree engine and a newer 60 degree engine is the location of the carburetors/throttle bodies. A 90 degree V4/V6 engine will have the carburetors/throttle bodies located in the front of the crankcase directly over the crankshaft. A 60 degree V4/V6 engine will have the carburetors/throttle bodies located on the side of the crankcase, directly over the transfer ports.

90° V4/V6

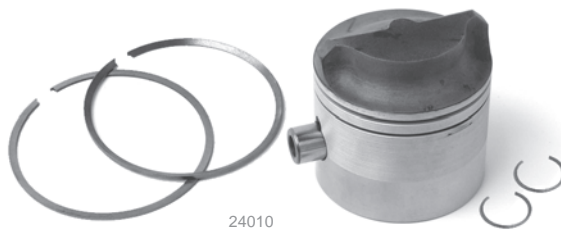


60° V4/V6



GLM Products, Inc.

Pistons - V4 90° & V6 90° Crossflow 9.9 & 15 HP (1981-1992) (ø3.5000")

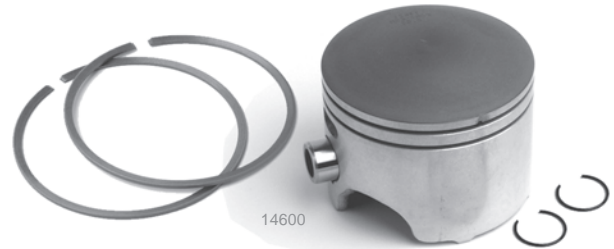


24010

Pistons come with rings, pin & retainer. Rings come 2 in a set.

Pistons		
24010	OEM: 5006658	Size: ø 3.500"
24020	OEM: 5006703	Size: ø 3.500" + .020
24030	OEM: 5006669	Size: ø 3.500" + .030
24034	OEM: 5006704	Size: ø 3.500" + .040
Rings		
24210	OEM: 394930	Size: ø 3.500"
24220	OEM: 439001	Size: ø 3.500" + .020
24230	OEM: 396504	Size: ø 3.500" + .030
24300	OEM: 439002	Size: ø 3.500" + .040

Pistons - V4 60° & V6 60° Loopcharged 90, 115, 150 & 175 HP w/ Carburetors (1991 & Up) (ø3.6000")

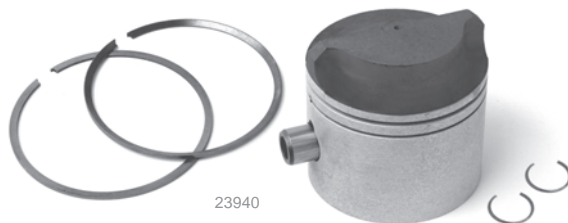


14600

Pistons come with rings, pin & retainer. Rings come 2 in a set.

Pistons - Port Side		
14600	OEM: 5006687, 5006681	Size: ø 3.600"
14620	OEM: 5006708	Size: ø 3.600" + .020
14640	OEM: 5006714, 5006679	Size: ø 3.600" + .030
Pistons - Starboard Side		
14610	OEM: 5006688, 5006682	Size: ø 3.600"
14630	OEM: 5006715	Size: ø 3.600" + .020
14650	OEM: 5006716, 5006680	Size: ø 3.600" + .030
Rings		
14170	OEM: 436353	Size: ø 3.600"
14180	OEM: 439029	Size: ø 3.600" + .020
14190	OEM: 436354	Size: ø 3.600" + .030

Pistons - V6 90° Crossflow 175 HP (1986-91) & 235 HP (1980-85) (ø3.625")

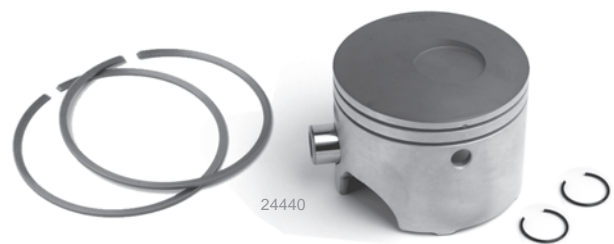


23940

Pistons come with rings, pin & retainer. Rings come 2 in a set.

Pistons		
23940	OEM: 5006656	Size: ø 3.625"
23950	OEM: N/A	Size: ø 3.625" + .020
23960	OEM: 5006668	Size: ø 3.625" + .030
Rings		
24570	OEM: 390509	Size: ø 3.625"
24580	OEM: N/A	Size: ø 3.625" + .020
24590	OEM: 390510	Size: ø 3.625" + .030

Pistons - V4 60° & V6 60° Loopcharged 75, 90, 115, 150 & 175 HP w/ DFI (2000 & Up) (ø3.6000")



24440

Pistons come with rings, pin & retainer. Rings come 2 in a set.

Pistons - Port Side		
24440	OEM: 5006727	Size: ø 3.600"
24460	OEM: N/A	Size: ø 3.600" + .020
24480	OEM: 5006729	Size: ø 3.600" + .030
Pistons - Starboard Side		
24450	OEM: 5006728	Size: ø 3.600"
24470	OEM: N/A	Size: ø 3.600" + .020
24490	OEM: 5006730	Size: ø 3.600" + .030
Rings		
14170	OEM: 436353	Size: ø 3.600"
14180	OEM: 439029	Size: ø 3.600" + .020
14190	OEM: 436354	Size: ø 3.600" + .030



GLM Products, Inc.

TOC

Manifolds-Merc.

Manifolds-OMC

Manifolds-Volvo

Manifolds-Bar

MerCruiser

Merc / Mar / For

OMC / Volvo

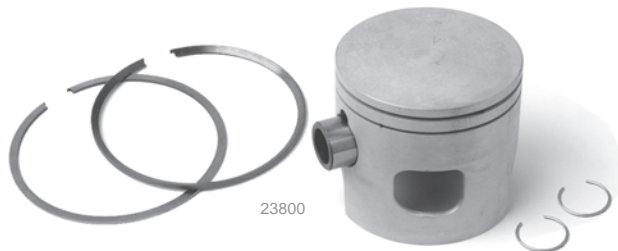
Johnson / Evin

Yamaha

Index / X-Ref.

Warranty

Pistons - V4, V6 & V8 90° Loopcharged 120-300 HP (1985-1987) (ø3.5000")



23800

Pistons come with rings, pin & retainer. Rings come 2 in a set.

Pistons - Port Side

23800	OEM: 5006659	Size: ø 3.500"
23820	OEM: N/A	Size: ø 3.500" + .020
23840	OEM: 5006660	Size: ø 3.500" + .030

Pistons - Starboard Side

23810	OEM: N/A	Size: ø 3.500"
23830	OEM: N/A	Size: ø 3.500" + .020
23850	OEM: N/A	Size: ø 3.500" + .030

Rings

24210	OEM: 394930	Size: ø 3.500"
24220	OEM: 439001	Size: ø 3.500" + .020
24230	OEM: 396504	Size: ø 3.500" + .030

Pistons - V6 90° Loopcharged 200 & 225 HP (1993-2001) (ø3.6875")



24150

Pistons come with rings, pin & retainer. Rings come 2 in a set.

Pistons - Port Side

24150	OEM: 5006691	Size: ø 3.6875"
24170	OEM: 5006706	Size: ø 3.6875" + .020
24190	OEM: 5006711	Size: ø 3.6875" + .030

Pistons - Starboard Side

24160	OEM: 5006690	Size: ø 3.6875"
24180	OEM: 5006712	Size: ø 3.6875" + .020
24200	OEM: 5006711	Size: ø 3.6875" + .030

Rings

24340	OEM: 436254	Size: ø 3.6875"
24350	OEM: 439538	Size: ø 3.6875" + .020
24360	OEM: 436251	Size: ø 3.6875" + .030

Pistons - V4, V6 & V8 90° Loopcharged 120-300 HP (1988 & Up) (ø3.6875")



24050

Pistons come with rings, pin & retainer. Rings come 2 in a set.

Pistons - Port Side

24050	OEM: 5006675, 5006671	Size: ø 3.685"
24070	OEM: N/A	Size: ø 3.685" + .020
24090	OEM: 5006673, 5006677	Size: ø 3.685" + .030

Pistons - Starboard Side

24100	OEM: 5006676, 5006672	Size: ø 3.685"
24120	OEM: N/A	Size: ø 3.685" + .020
24140	OEM: 5006674, 5006678	Size: ø 3.685" + .030

Rings

24250	OEM: 431870	Size: ø 3.685"
24270	OEM: N/A	Size: ø 3.685" + .020
24290	OEM: 431844	Size: ø 3.685" + .030

Pistons - 2-Cylinder Four-Stroke 9.9 & 15 HP (1995-2002) (ø65mm)



24500

Pistons come with rings, pin & retainer. Rings come 5 in a set.

Pistons - Port Side

24500	OEM: 437776	Size: ø 65mm
24520	OEM: 437777	Size: ø 65mm + .030

Rings

24370	OEM: 436289	Size: ø 65mm
24390	OEM: 436290	Size: ø 65mm + .030

GLM Products, Inc.

PISTON KITS & RINGS APPLICATION

HP / Model	Year	Standard		.020 Oversize		.030 Oversize		.040 Oversize	
		Piston	Ring	Piston	Ring	Piston	Ring	Piston	Ring
2-Cylinder									
2-Cyl., 9.9, 15 (ø 2.1875)	1981-92	24410	23710	24420	23720	24430	23730	N/A	N/A
9.9, 15 (4 Cycle)	1995-02	24500	24370	N/A	N/A	24520	24390	N/A	N/A
20, 25, 3.0	81-83/86-94	23910	24240	23920	24260	23930	24280	N/A	N/A
30, 3.0	1984-94	23910	24240	23920	24260	23930	24280	N/A	N/A
20, 35	1976-80	N/A	N/A	N/A	N/A	N/A	N/A	N/A	N/A
2-Cylinder Loopcharged									
40 (ø 3.1875)	1984-94	24110	24310	24112	24320	24130	24330	N/A	N/A
48	1987-94	24110	24310	24112	24320	24130	24330	N/A	N/A
50	1981-94	24110	24310	24112	24320	24130	24330	N/A	N/A
55	1980-93	24110	24310	24112	24320	24130	24330	N/A	N/A
45, 55	1994	24110	24310	24112	24320	24130	24330	N/A	N/A
60	1980-85	24110	24310	24112	24320	24130	24330	N/A	N/A
3-Cylinder Loopcharged									
50 (ø 3.1875)	1995-98	23740	24540	23750	24550	23760	24560	N/A	N/A
60, 3.0	1986-88	24040	24240	24060	24260	24080	24280	N/A	N/A
60, 65, 70 (ø 3.1875)	1986-94	23770	24310	23780	24320	23790	24330	N/A	N/A
60, 70 (ø 3.1875)	1994-Thru	23740	24540	23750	24550	23760	24560	N/A	N/A
65, 3.0	1984-86	24040	24240	24060	24260	24080	24280	N/A	N/A
70, 3.0	1976-85	24040	24240	24060	24260	24080	24280	N/A	N/A
75, 3.0	1976-85	24040	24240	24060	24260	24080	24280	N/A	N/A
V4 60° Loopcharged									
75, 90, 115, Fuel Inj. V4 60°	2000-Thru	24440 PORT	14170	24460	14180	24480	14190	N/A	N/A
		24450 STBD	14170	24470	14180	24490	14190	N/A	N/A
90, 115, Carburetors V4 60°	1995-Thru	14600 PORT	14170	14620	14180	14640	14190	N/A	N/A
		14610 STBD	14170	14630	14180	14650	14190	N/A	N/A
V4 90° Crossflow									
85 Crossflow	1979-80	24010	24210	24020	24220	24030	24230	24034	24300
88 Crossflow	1987-98	24010	24210	24020	24220	24030	24230	24034	24300
90 Crossflow	1981-98	24010	24210	24020	24220	24030	24230	24034	24300
100 Crossflow	1979-80	24010	24210	24020	24220	24030	24230	24034	24300
100 Crossflow Comm.	1984-Thru	24010	24210	24020	24220	24030	24230	24034	24300
110 Crossflow	1986-88	24010	24210	24020	24220	24030	24230	24034	24300
115 Crossflow	1974-98	24010	24210	24020	24220	24030	24230	24034	24300
135 Crossflow	1974-76	24010	24210	24020	24220	24030	24230	24034	24300
140 Crossflow	1977-84	24010	24210	24020	24220	24030	24230	24034	24300

GLM Products, Inc.

PISTON KITS & RINGS APPLICATION CONTINUED...

HP / Model	Year	Standard		.020 Oversize		.030 Oversize		.040 Oversize	
		Piston	Ring	Piston	Ring	Piston	Ring	Piston	Ring
V4 90° Loopcharged									
120, 140 Loopcharged	1985-87	23800 PORT	24210	23820	24220	23840	24230	N/A	N/A
		23810 STBD	24210	23830	24220	23850	24230	N/A	N/A
120, 130, 140 Loopcharged	1988-94	24050 PORT	24250	24070	24270	24090	24290	N/A	N/A
		24100 STBD	24250	24120	24270	24140	24290	N/A	N/A
V6 90° Crossflow									
150 Crossflow	1978-83	24010	24210	24020	24220	24030	24230	24034	24300
150 Crossflow	1984-91	24010	24210	24020	24220	24030	24230	24034	24300
155 Comm. Crossflow	1985-87	24010	24210	24020	24220	24220	24230	N/A	N/A
175 Crossflow	1977-83	24010	24210	24020	24220	24030	24230	24034	24300
175 Crossflow	1984-85	24010	24210	24020	24220	24220	24230	N/A	N/A
175 Crossflow	1986-91	23940	24570	23950	24580	23960	24590	N/A	N/A
185 Crossflow	1985	24010	24210	24020	24220	24220	24230	N/A	N/A
200 Crossflow	1976-83	24010	24210	24020	24220	24030	24230	24034	24300
235 Crossflow	1978-79	24010	24210	24020	24220	24030	24230	24034	24300
235 Crossflow	1980-85	23940	24570	23950	24580	23960	24590	N/A	N/A
V6 60° Loopcharged									
150, 175 Carburetors V6 60°	1991-Thru	14600 PORT	14170	14620	14180	14640	14190	N/A	N/A
		14610 STBD	14170	14630	14180	14650	14190	N/A	N/A
150, 175 Fuel Inj. V6 60°	2000-Thru	24440 PORT	14170	24460	14180	24480	14190	N/A	N/A
		24450 STBD	14170	24470	14180	24490	14190	N/A	N/A
V6 90° Loopcharged									
200-225 Loopcharged V6 90°	1985-87	23800 PORT	24210	23820	24220	23840	24230	N/A	N/A
		23810 STBD	24210	23830	24220	23850	24230	N/A	N/A
200-225 Loopcharged V6 90°	1988-92	24050 PORT	24250	24070	24270	24090	24290	N/A	N/A
		24100 STBD	24250	24120	24270	24140	24290	N/A	N/A
200-225 Loopcharged V6 90°	1993-01	24150 PORT	24340	24170	24350	24190	24360	N/A	N/A
		24160 STBD	24340	24180	24350	24200	24360	N/A	N/A
V8 Loopcharged									
250 Loopcharged V8	1991-98	24050 PORT	24250	24070	24270	24090	24290	N/A	N/A
		24100 STBD	24250	24120	24270	24140	24290	N/A	N/A
300 Loopcharged V8	1988-95	24050 PORT	24250	24070	24270	24090	24290	N/A	N/A
		24100 STBD	24250	24120	24270	24140	24290	N/A	N/A
275-300 Loopcharged V8	1985-87	23800 PORT	24210	23820	24220	23840	24230	N/A	N/A
		23810 STBD	24210	23830	24220	23850	24230	N/A	N/A



GLM Products, Inc.

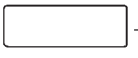
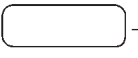


GLM's Needle & Caged Bearings


They look the same but are NOT the same!

Our needle rollers are mainly supplied by needle roller specialist or OEM manufacturers. The rollers are made of Bearing Steel (SAG 52100) and have been subjected to heat treatment and precision grinding. The hardness is HV700-860 (HRC 60-66). Both ends of our rollers used in marine engines are shaped with a special profile, known as "crowning".


What is Crowning?

Crowning is also known as "controlled contour", or coded as "ZB2". The crowning is to shape both ends, in a .040"-.080" area, to have a parabolic curvature (as the figure below, however it is difficult to see this curvature with the naked eye). The purpose of crowning is to avoid high stress concentration at the end areas of rollers and to ensure even contact stress between rollers and the race. Because the crowning lessens the rollers' maximum stress, it can increase bearing life significantly.

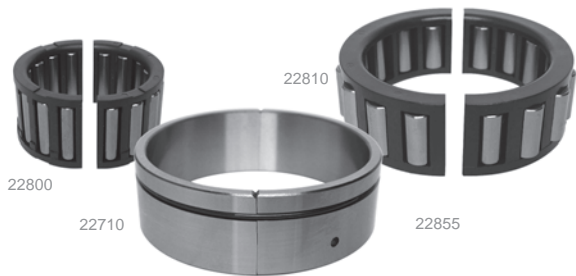
<p>Common Needle Roller</p>  <p>Stress Distribution for common needle rollers</p>	<p>GLM's Crowning Needle Roller</p>  <p>Stress Distribution for crowning needle rollers</p>
 <p>This causes HIGH stress in both ends</p>	 <p>This allows stress to be EVENLY distributed</p>



How About the Cages?
GLM's Cages use High Quality Swiss Made Automatic Carbonitriding Furnace Heat Treatment



Powerhead Bearings - Center Bearing Kits & Components Johnson / Evinrude



Center Bearing Kits

22855 OEM: N/A **Journal ø:** 2.1875" , Metal Cage V4 Crossflow (1979 & Up), V6 Crossflow (1976 & Up), V4/V6 60° All models (Includes No. 22810 & No. 22710) Limited Stock Available.

Center Bearings

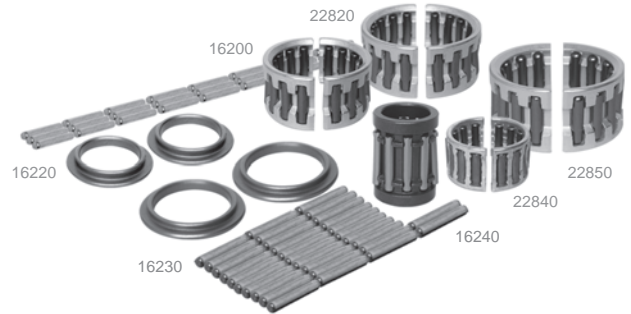
22800 OEM: 378252 **Journal ø:** 1.375" , Metal Cage 40C (1974 & Up), 45-60 HP 2-Cyl. (1971 & Up), 3-Cyl. all, V4 (1962-78) Limited Stock Available.

22810 OEM: 387041 **Journal ø:** 2.1875" , Metal Cage V4 Crossflow (1979 & Up), V6 Crossflow (1976 & Up), V4/V6 60° All models Limited Stock Available.

Center Split Sleeve

22710 OEM: 320499 V4 Crossflow (1979 & Up), V6 Crossflow (1976 & Up), V4/V6 60° All models Limited Stock Available.

Powerhead Bearings - Connecting Rod Bearings Johnson / Evinrude



Connecting Rod Bearings - Small End

16240 OEM: 378251 25, 40, 50, 65 & 85 HP (1972 & Up) Heavy Duty Cage! GLM Design! Meets ISO 3030 Standard

16220 OEM: 395627 20-35 HP (1981-95), 45-60 2-Cyl. (1977-95), 3-Cyl. (1976 & Up), V4 Crossflow (1973 & Up), V6 Crossflow (1976 & Up), V4/V6 60° All models

16230 OEM: 434844 V4/V6/V8 90° Loopcharged (1985 & Up)

Connecting Rod Bearings - Big End

22840 OEM: 395401 **Journal ø:** 0.8125" **Cage:** Metal 9.9-15 HP (1974-95)

16200 OEM: 437088 **Journal ø:** 1.1825" (30mm) **Cage:** Metal 20-35 HP (1976-95), 46-60 HP 2-Cyl. (1971-94), 3-Cyl. (1968-93), V4 (1961-73)

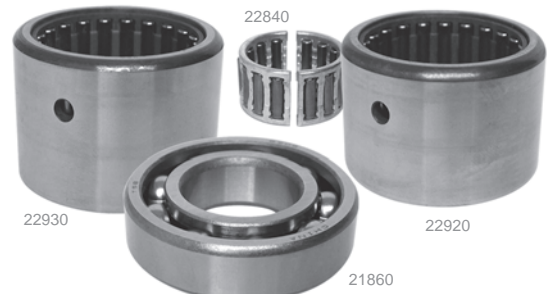
22820 OEM: 387787 **Journal ø:** 1.375" **Cage:** Metal V4 Crossflow (1979 & Up), V6 Crossflow (1976 & Up), V4/V6 60° All models

22850 OEM: 396041 **Journal ø:** 1.500" **Cage:** Metal V4/V6/V8 90° Loopcharged (1985-95)

Replacement Bearings for Cage

22500 OEM: 387139, **Needle Size:** 0.158 X 0.595
OEM: 387142 For No. 16200 & No. 22820

Powerhead Bearings - Main Bearings Johnson / Evinrude



22840 OEM: 395401 **Journal ø:** 0.8125" , Metal Cage 9.9-15 HP (1974-95)

22920 OEM: 390900 2 & 3-Cyl., 40-60 HP Most early & late models

22930 OEM: 398529 2 & 3-Cyl., 45-60 HP Most late models

21860 OEM: 377139 3-Cyl. (1968-94), Lower Crankshaft

TOC
Manifolds-Merc.
Manifolds-OMC
Manifolds-Volvo
Manifolds-Barr
MerCruiser
Merc / Mar / For
OMC / Volvo
Johnson / Evin
Yamaha
Index / X-Ref.
Warranty

GLM Products, Inc.

BEARINGS APPLICATION

HP / Model	Year	Main Bearing	Center Bearing	Center Split Sleeve Bearing	Center Bearing Kit	Connecting Rod Bearing Small End	Connecting Rod Bearing Big End
9.9	1974-83	-	22840	-	-	-	22840
9.9	1984-97	-	-	-	-	-	22840
10	1981	-	22840	-	-	-	22840
10 Comm.	1989-91	-	-	-	-	-	22840
10 Comm.	1994	-	-	-	-	-	22840
14	1981	-	22840	-	-	-	22840
14 Comm.	1989-91	-	-	-	-	-	22840
15	1974-83	-	22840	-	-	-	22840
15	1984-97	-	-	-	-	-	22840
15 Comm.	1994	-	-	-	-	-	22840
18	1960-68	-	-	-	-	-	-
18	1970-73	-	-	-	-	16240	-
18 Jet	1996-97	-	-	-	-	16220	22840
20	1981-84	-	-	-	-	16220	22840
20	1985-97	-	-	-	-	16220	16200
25	1970-76	-	-	-	-	16240	-
25	1977	-	-	-	-	16240	16200
25	1978-80	-	-	-	-	16240	16200
25	1981-84	-	-	-	-	16220	16200
25	1985-97	-	-	-	-	16220	16200
25 Comm.	1982-84	-	-	-	-	16220	16200
25 Comm.	1985-97	-	-	-	-	16220	16200
28	1962-64	-	-	-	-	-	-
28	1987-97	-	-	-	-	16220	16200
30	1984	-	-	-	-	16220	16200
30	1985-97	-	-	-	-	16220	16200
33	1965-69	-	-	-	-	-	-
33	1970	-	-	-	-	16240	16200
35	1976-80	-	-	-	-	16240	16200
35	1981-84	-	-	-	-	16220	16200
35	1985-97	-	-	-	-	16220	16200
40	1961-70	-	-	-	-	-	-
40	1971-73	-	-	-	-	16240	16200
40	1974-76	-	22800	22700	22755	16240	16200
40	1983	-	22800	22700	22755	16240	16200
40	1984-86	22920	22800	22700	22755	16220	16200
40	1987-97	22930	22800	22700	22755	16220	16200
40 Comm.	1982-83	-	22800	22700	22755	16240	16200
40 Comm.	1984-85	22920	22800	22700	22755	16240	16200
40 Comm.	1989-90	22930	22800	22700	22755	16240	16200
40 Comm.	1994	22930	22800	22700	22755	16220	16200
40 Comm.	1995-00	22930	22800	22700	22755	16220	-
45 Comm.	1987-94	22920	22800	22700	22755	16220	16200
45 Comm.	1995-97	22930	22800	22700	22755	16220	-
45 SS	1987-90	22920	22800	22700	22755	16220	16200
48	1987	22920	22800	22700	22755	16220	16200
48	1988-96	22930	22800	22700	22755	16220	16200
50	1979-83	22920	22800	22700	22755	16220	16200
50	1984-86	22920	22800	22700	22755	16220	16200
50	1987-00	22930	22800	22700	22755	16220	16200
50	1995-00	22930	22800	22700	22755	16220	-
55	1968-69	-	22800	22700	22755	16240	16200
55	1976-81	22920	22800	22700	22755	16220	16200
55 Comm.	1982	22920	22800	22700	22755	16220	16200
55 Comm.	1983-86	22920	22800	22700	22755	16220	16200
55 Comm.	1987-94	22930	22800	22700	22755	16220	16200
55 Comm.	1995-00	22930	22800	22700	22755	16220	-
60	1964-01 / 1970-71	-	22800	22700	22755	16240	16200
60	1980-83	22920	22800	22700	22755	16220	16200
60	1984-85	22920	22800	22700	22755	16220	16200
60	1986-90	22920	22800	22700	22755	16220	16200
60	1991-93	22930	22800	22700	22755	16220	16200
60	1994-01	22930	22800	22700	22755	16220	16200
SST-69	1989-90	22920	22800	22700	22755	16220	-
65	1968	-	22800	22700	22755	16240	16200
65	1972-73	22920	22800	22700	22755	16240	16200



GLM Products, Inc.

BEARINGS APPLICATION CONTINUED...

HP / Model	Year	Main Bearing	Center Bearing	Center Split Sleeve Bearing	Center Bearing Kit	Connecting Rod Bearing Small End	Connecting Rod Bearing Big End
65 Comm.	1984	22920	22800	22700	22755	16220	16200
65 Comm.	1985-90	22920	22800	22700	22755	16220	16200
65 Comm.	1991-93	22930	22800	22700	22755	16220	16200
65 Comm.	1994-01	22930	22800	22700	22755	16220	-
70	1974-75	22920	22800	22700	22755	16240	16200
70	1976-84	22920	22800	22700	22755	16220	16200
70	1985-90	22920	22800	22700	22755	16220	16200
70	1991-93	22930	22800	22700	22755	16220	16200
70	1994-01	22930	22800	22700	22755	16220	-
75	1960-65	-	22800	22700	22755	16240	16200
75	1975	22920	22800	22700	22755	16240	16200
75	1976-84	22920	22800	22700	22755	16220	16200
75	1985-88	22920	22800	22700	22755	16220	16200
80	1966-67	-	22800	22700	22755	16240	16200
80 Jet	1992-98	-	22810	22710	22855	16220	-
85	1968-72	-	22800	22700	22755	16240	16200
85	1973	-	22800	22700	22755	16220	16200
85	1974-78	-	22800	22700	22755	16220	22820
85	1979-80	-	22810	22710	22855	16220	22820
85	1991-95	-	22810	22710	22855	16220	22820
88	1987-96	-	22810	22710	22855	16220	22820
90	1981-03	-	22810	22710	22855	16220	22820
90	1995-03	-	22810	22710	22855	16220	22820
90 Jet	1994-95	-	22810	22710	22855	16220	22820
100	1966-68	-	22800	22700	22755	16240	16200
100	1971-72	-	22800	22700	22755	16240	16200
100	1979-80	-	22810	22710	22855	16220	22820
100	1990-94	-	22810	22710	22855	16220	22820
100 Comm.	1984-05	-	22810	22710	22855	16220	22820
110	1986-89	-	22810	22710	22855	16220	22820
112	1994-96	-	22810	22710	22855	16220	22820
115	1969-70	-	22800	22700	22755	16240	16200
115	1973	-	22800	22700	22755	16220	16200
115	1974-78	-	22800	22700	22755	16220	22820
115	1979-85	-	22810	22710	22855	16220	22820
115	1990-06	-	22810	22710	22855	16220	22820
115	1995-06	-	22810	22710	22855	22820	22820
115 Jet	1994-06	-	22810	22710	22855	16220	22820
120	1985-94	-	22810	22710	22855	16230	22850
125	1971-72	-	22800	22700	22755	16240	16200
125 Comm.	1989-95	-	22810	22710	22855	16230	22850
125 ESX	1991-94	-	22810	22710	22855	16230	22850
130	1994-00	-	22810	22710	22855	16230	22850
135	1973	-	22800	22700	22755	16220	16200
135	1974-76	-	22800	22700	22755	16220	22820
140	1977-78	-	22800	22700	22755	16220	22820
140	1979-84	-	22810	22710	22855	16220	22820
140	1985-94	-	22810	22710	22855	16230	22850
150	1978-91	-	22810	22710	22855	16220	22820
150	1991-06	-	22810	-	-	16220	22820
150 Comm.	1993-95	-	22810	-	-	16220	22820
155 Comm.	1984-92	-	22810	22710	22855	16220	22820
175	1977-91	-	22810	22710	22855	16220	22820
175	1991-06	-	22810	-	-	16220	22820
185	1984-85	-	22810	22710	22855	16220	22820
185	1990-94	-	22810	22710	22855	16230	22850
200	1976-83	-	22810	22710	22855	16220	22820
200	1986-06	-	22810	22710	22855	16230	22850
200 Comm.	1990, 1994	-	22810	22710	22855	16230	22850
225	1986-06	-	22810	22710	22855	16230	22850
235	1978-85	-	22810	22710	22855	16220	22820
250	1991-95, 1997	-	22810	22710	22855	16230	22850
275	1985-88	-	22810	22710	22855	16230	22850
3.6L	1985-87	-	22810	22710	22855	16230	22850
300	1988-95	-	22810	22710	22855	16230	22850

TOC

Manifolds-Merc.

Manifolds-OMC

Manifolds-Volvo

Manifolds-Barr

MerCruiser

Merc / Mar / For

OMC / Volvo

Johnson / Evin

Yamaha

Index / X-Ref.

Warranty

GLM Products, Inc.

CRANKSHAFT SEALS APPLICATION

HP / Model	Year	Upper Crankcase	Qty. Req.	Lower Crankcase	Qty. Req.	HP / Model	Year	Upper Crankcase	Qty. Req.	Lower Crankcase	Qty. Req.
9.9	1974-1983	-	-	86760	1	65 (3-Cyl.)	1972-1973	86770	1	86030	1
9.9	1984-1995	-	-	86760 / 86430	1	65 C	1984-1985	86770	1	86030	1
10	1981	-	-	86760	-	65 C	1986-1989	86770	1	86030	1
10	1989	-	-	86760 / 86430	1	70 (Large)	1974-1985	86770	1	86030	1
14	1988-1990	-	-	86760 / 86430	1	70 (Large)	1986-1995	86770	1	-	-
15	1974-1983	-	-	87670	1	70 (Small)	1977-1985	86770	1	-	-
15	1984-1995	-	-	86760 / 86430	1	75 (Large)	1975-1984	86770	1	-	-
18	1957	86060	1	-	-	75 (Large)	1986-1987	86770	1	-	-
18	1958-1973	86380	1	-	-	75 (Small)	1975-1984	86770	1	86030	1
25	1969-1976	86380	1	-	-	85	1969-1970	86440	1	86030	1
40	1960-1961	86380	1	-	-	85	1971-1972	86440	1	86030	1
40	1974-1976	86770	1	86030	1	85	1973-1980	86440	2	86030	1
40 C	1981-1986	86770	1	86030	2	88	1987-1994	86440	2	-	-
40	1984-1985	86770	1	86030	1	90	1981-1983	86440	2	86030	1
40 (AR, AE, AT)	1988	86770	1	-	-	90	1984-1994	86250	1	-	-
40	1986-1989	86770	1	-	-	90 Seadrive	1985-1990	86440	2	86030	1
45 C	1985	86770	1	-	-	100	1971-1972	86440	1	86030	1
45 C	1986	86770	1	-	-	100	1979-1980	86440	2	86030	1
45 C	1987	86770	1	-	-	100 C	1984-1990	86440	2	-	-
45 C	1988-1994	86770	1	-	-	110	1986-1988	86440	2	86030	1
45 C	1995	86770	1	-	-	115	1969-1970	86440	1	86030	1
48	1988-1995	86770	1	86270 (Inner)	1	115	1973-1983	86440	1	86030	1
50	1971-1974	86770	1	86030	1	115	1984-1985	86440	2	86030	1
50	1975	86770	1	86030	1	115	1990-1994	86440	2	-	-
50	1979	86770	1	86030	1	120	1985	86440	2	86470	2
50	1980	86770	1	86030	1	120	1986-1988	86440	2	86470	2
50/60 (Pull Start)	1981-1983	86770	1	86030	1	120	1989	86440	2	86470	2
50/60 (Electric)	1981-1983	86770	1	86030	1	120	1990-1994	86440	2	86470	2
50/60	1984-1985	86770	1	86030	1	125	1971-1972	86440	1	86030	1
50/60 (Small)	1986-1987	86770	1	86030	1	125 C	1989	86440	2	86470	1
50/60 (Large)	1986-1987	86770	1	86030	1	125 C (ESX)	1989	86250	1	86470	1
50/60	1988-1989	86770	1	86030	1	135	1973-1976	86440	2	86030	1
50	1990-1995	86770	1	86270 (Inner)	1	140	1977-1983	86440	2	86030	1
55	1968-1969	86770	1	86030	1	140	1984	86440	2	86030	1
55	1976-1977	86770	1	86030	1	140	1985	86440	2	86470	2
55	1978	86770	1	86030	1	140	1986-1994	86440	2	86470	2
55	1979-1983	86770	1	86030	1	140 TX	1989	86440	2	86470	2
55 (Electric)	1980-1983	86770	1	86030	1	150	1978-1983	86440	2	86470	2
55 C	1984	86770	1	86030	1	150	1984	86440	2	-	-
55 C	1985	86770	1	86030	1	155 C	1984-1985	86440	2	86030	1
55 C	1986	86770	1	-	-	155 C	1986-1990	86440	2	-	-
55 C	1987-1994	86770	1	-	-	175	1977-1985	86440	2	86030	1
55 C	1995	86770	1	-	-	175	1986-1990	86440	2	-	-
60	1970	86770	1	86030	1	185	1984-1985	86440	2	86030	1
60 (3-Cyl.)	1971	86770	1	86030	1	185	1990	86440	2	86470	1
60 (Pull Start)	1980-1983	86770	1	86030	1	200	1976-1983	86440	2	86030	1
60 (Electric)	1980-1983	86770	1	86030	1	200	1984-1985	86440	2	-	-
60	1970	86770	1	86030	1	200, 225	1986-1990	86440	2	86470	2
60 SST	1989	86770	1	86030	1	235	1978-1983	86440	2	86030	1
60 SST	1990	86770	1	-	-	235	1984-1985	86440	2	86030	1
60 (3-Cyl.)	1987-1995	86770	1	-	-	275	1985-1988	86440	2	86470	2
65 (Manual)	1968	86770	1	-	-	3.6L, 300	1985-1990	86440	2	86470	2



GLM Products, Inc.

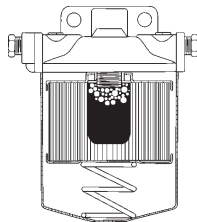
Eliminate Fuel Starvation with GLM's Low Pick-up Water/Fuel Separator Mounting Bracket

Engine compartment temperatures can soar on hot summer days creating high gasoline temperatures. High temps and agitation caused by rough seas can aerate the gasoline in the water/fuel separator filter turning it into foam. A fuel pump can't pull aerated gasoline from the water/fuel separator and deliver it to the carburetor or fuel rail efficiently. The engine will show signs of gasoline starvation (lean) at high speeds, a situation very similar to vapor lock.

Because this aerated gasoline rises to the top of the water/fuel separating filter, GLM has introduced a filter mounting bracket with a fuel pick-up extending deeper into the filter. Through extensive research and testing the GLM engineers have found the optimum location for the fuel pick-up. The deeper location is low enough to be free of aerated gasoline but high enough to be free of the water in the bottom of the separator.

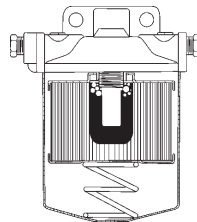
The deeper fuel pickup is only found on the new GLM water/fuel separator mounting bracket kits. It might solve some of those mysterious fuel delivery problems your engine may be experiencing!

Conventional Fuel Filter



Air molecules rise to top and into the fuel system.

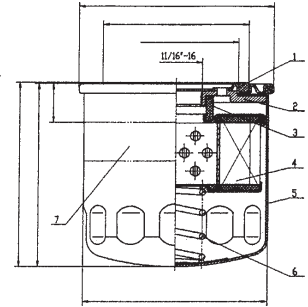
GLM's Fuel Filter



Our design prevents air from entering the fuel system.

GLM Fuel Filter Features

- 28 or 10 micron filter paper shaped into 70 pleats total 327 sq. in. filtration. The largest filtering capability in the aftermarket. (4)
- BWG #11 heavy duty spring (6).
- Gasoline resistant rubber seals (1) (3).
- Oxidizing treatment inside powder coated outside for corrosion protection (5).
- Minimum 196N.m. torque strength between adapt plate and canister (2).
- Will not separate 2 cycle oil from gasoline!



Water Separating Fuel Filter Kits



All kits come with 2 brass plugs & 2 extension tubes.

w/ Translucent Red Stainless Steel Bracket

24960	(24940+25011)	28 Micron
	Flow: 50 GPH	ø1/4" NPTF Ports
24962	(24940+25031)	28 Micron
	Flow: 75 GPH	ø3/8" NPTF Ports

w/ SUS 316 Stainless Steel Bracket

24956	(24950+25010)	28 Micron
	Flow: 50 GPH	ø1/4" NPTF Ports
24958	(24940+25030)	28 Micron
	Flow: 75 GPH	ø3/8" NPTF Ports
24957	(24942+25010)	10 Micron
	Flow: 50 GPH	ø1/4" NPTF Ports

w/ Die Cast Aluminum Bracket

24950	(24940+25000)	28 Micron
	Flow: 50 GPH	ø1/4" NPTF Ports
24953	(24940+25020)	28 Micron
	Flow: 75 GPH	ø3/8" NPTF Ports
24952	(24942+25000)	10 Micron
	Flow: 50 GPH	ø1/4" NPTF Ports
24954	(24942+25020)	10 Micron
	Flow: 75 GPH	ø3/8" NPTF Ports

Water Separating Fuel Filters



24942	OEM: N/A	10 Micron (4-7/16" H)
24940	OEM: N/A	28 Micron (4-7/16" H)
24941	OEM: N/A	28 Micron (3-3/4" H)
24930	OEM: N/A	28 Micron (4-7/16" H)

Water Separating Fuel Filter Brackets



All brackets come with 2 brass plugs & 2 extension tubes.

Translucent Red Stainless Steel Brackets

25011	(2 inputs & 2 outputs)	ø1/4" NPTF Ports
25031	(2 inputs & 2 outputs)	ø3/8" NPTF Ports

SUS 316 Stainless Steel Brackets

25010	(2 inputs & 2 outputs)	ø1/4" NPTF Ports
25030	(2 inputs & 2 outputs)	ø3/8" NPTF Ports

Die Cast Aluminum Brackets

25000	(2 inputs & 2 outputs)	ø1/4" NPTF Ports
25020	(2 inputs & 2 outputs)	ø3/8" NPTF Ports

TOC

Manifolds-Merc.

Manifolds-OMC

Manifolds-Volvo

Manifolds-Barr

MerCruiser

Merc / Mar / For

OMC / Volvo

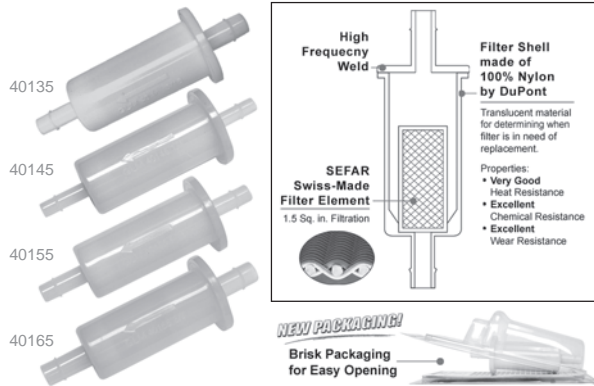
Johnson / Evin

Yamaha

Index / X-Ref.

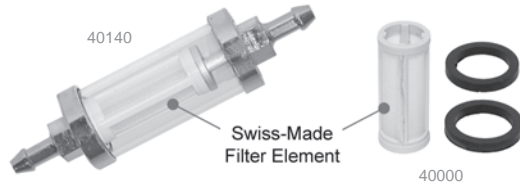
Warranty

Plastic Inline Fuel Filters



40135	OEM: 435918	ø 5/16" In - ø 3/8" Out
40145	OEM: 35-816296Q03	ø 1/4"
40155	OEM: 35-816296Q2	ø 5/16"
40165	OEM: N/A	ø 3/8"

Transparent Inline Fuel Filters



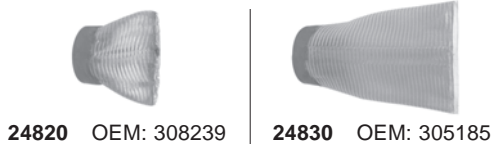
40140	OEM: N/A	ø 1/4" w/ Swiss Made Filter Element
40150	OEM: N/A	ø 5/16" w/ Swiss Made Filter Element
40160	OEM: N/A	ø 3/8" w/ Swiss Made Filter Element

* Warning: Do NOT use on Inboard Engine Applications

Replacement Swiss Made Filter Elements

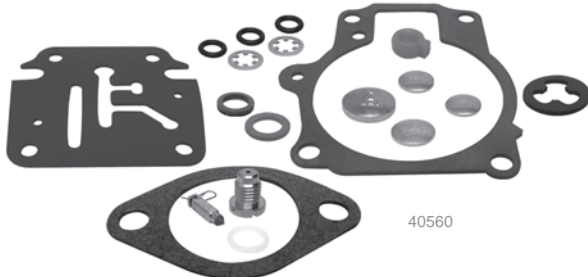
40000	OEM: N/A	For No. 40140, 40150 & 40160 Filters
-------	----------	--------------------------------------

Carburetor Fuel Filters



24820	OEM: 308239	24830	OEM: 305185
-------	-------------	-------	-------------

Carburetor Service Kits - Johnson / Evinrude



40510	OEM: 439071	40580	OEM: 439078,439079
	w/o Float		(w/o Float)
40550	OEM: 439072	40520	OEM: 437327
40530	OEM: 439074, 439075		(w/o Float)
	(w/o Float & Fliter)	40540	OEM: 436959 (L.T.S.)
40600	OEM: 439073	40570	OEM: 439076
40560	OEM: 396701	40590	OEM: 438996

Inlet Needle & Seats - Johnson / Evinrude



40720	OEM: 396522	40700	OEM: 387262
40710	OEM: 396521	40730	OEM: 396520

Carburetor Gaskets & Components Johnson / Evinrude



23203	OEM: 315232	Retainer
32650	OEM: 307583	Gasket
31174	OEM: 317477	Plug Washer, Carb. Screw
37799	OEM: 338883	Gasket
33100	OEM: 338860	Gasket
37790	OEM: 335070	Gasket
37794	OEM: 343512	Gasket
37760	OEM: 338813	Gasket
33120	OEM: 338878	Float Bowl
33130	OEM: 338880	Fuel Bowl
34090	OEM: 303750	Fuel Bowl
33140	OEM: 338884	Carburetor Bowl
34831	OEM: N/A	Nozzle & Float Bowl Gasket Kit
33260	OEM: 305218	Carburetor Body

Fuel System Gaskets - Johnson / Evinrude



37795	OEM: 340616	Cvr Gasket	37793	OEM: 340657	Gasket
37796	OEM: 341501	Cvr Gasket	37798	OEM: 333348	Gasket
37797	OEM: 334043	Cvr Gasket	34220	OEM: 125530	Hsg. to Tank
37840	OEM: 334353	Gasket	86654	OEM: 332253	Seal
37770	OEM: 335648	Gasket	86656	OEM: 344046	Seal
37780	OEM: 327223	Gasket	86657	OEM: 343613	Seal
37791	OEM: 341085	Gasket	86658	OEM: 335076	Seal
37792	OEM: 335115	Gasket			

GLM Products, Inc.

CARBURETOR SERVICE KITS - NEEDLE & SEATS APPLICATION

HP / Model	Year	Carb. Kit w/out Float	Needle & Seat	HP / Model	Year	Carb. Kit w/out Float	Needle & Seat
1.5	1970-90	40510	40720	60	1964-67	40540	40710
2	1970-90	40510	40720	60	1970-95	40560	40710
3	1952-67	40510	40710	60	1992-93	40560	40710
3	1968	40510	40720	65	1972-95	40560	40710
4	1965-78	40510	40720	65	1992-93	40560	40710
4	1983-89	40550	40720	70	1972-95 (3-Cyl.)	40560	40710
4	1991-93	40550	40720	70	1992-93	40560	40710
4.5	1982-84,87	40550	40720	75	1960-63	40540	40710
5	1965-67	40510	40720	75	1975-88	40560	40710
5	1968	40530	40710	80	1966-67	40540	40710
5	1984-85	40550	40720	85	1968	40540	40710
5.5	1954-67	40510	40720	85	1971-79	40530	40710
6	1954-79	40510	40720	85	1969-70,91-93	40570	40700
6	1968	40530	40710	V-4	1969-79	40570	40700
6	1984-85	40550	40720	V-4	1983-84	40570	40700
6	1986-up	40600	40720	88,90	1985-95	40570	40700
7.5	1955-58	40510	40720	90	1981-82,83	40570	40700
7.5	1982-83	40550	40720	100	1971,1980	40570	40700
8	1984-85	40550	40720	100	1972,1979	N/A	40710
8	1986-up	40600	N/A	100	1985-95	40570	40700
9.9	1974-88	40550	40720	110	1985-90	40570	40700
9.9	1989-up	40600	40720	115	1969,80-95	40570	40700
10	1954-63	40510	40720	115	1970,73-79	N/A	40710
14	1968	40550	40720	V-6	1976-90	40570	40700
15	1955-56	40510	40720	115	1983	40570	40700
15	1974-88	40550	40720	120	1985-90	40580	40720
15	1989-up	40600	40720	120	1985-90,1993	40580	40720
18	1957-68	40510	40720	125	1971-72	N/A	40710
20	1969-73	40560	40710	125	1993	40580	40720
20	1957-68	40510	40720	125 C	1989-95	40580	40720
20	1969-90	40560	40710	130	1995("P" only) -1999	40520	40720
25	1991-95	40560	40710	135	1973-76	N/A	40710
SAIL	1954-55	40530	40710	140	1977,80-83	40570	40700
DR	1978-90	40560	40710	140	1978-79	N/A	40710
25	1969-95	40560	40710	140	1985-91	40580	40720
25	1991-95	40560	40710	140	1993	40580	40720
28	1962-64	40530	40710	150	1979-90	40570	40700
28	1976-95	40560	40710	150	1993	40590	40720
28	1992-93	40560	40710	150	1992-93	40590	40720
30	1956	40530	40710	155	1984-93	40570	40700
30	1976-95	40560	40710	175	1977-91	40570	40700
30	1991-93	40560	40710	175	1992-93	40590	40720
33	1965-70	40530	40710	185	1984	40570	40700
35	1957-59	40530	40710	185	1989-93	40590	40720
35	1959	40530	40710	200	1976-83	40570	40700
35	1976-95	40560	40710	200	1986-90	40580	40720
35	1991-3	40560	40710	200	1992-93	40590	40720
40	1960-63,71	40530	40710	200TX	1996	40520	40720
40	1965-70,72-78	40530	40710	200/225 Loop	1997	40520	40720
40	1971-90,79-92	40560	40710	225	1986-90	40590	40720
40	1993	40560	40710	225	1992-93	40590	40720
45	1971-95	40560	40710	235	1978-84	40570	40700
45	1992	40560	40710	250	1991-93	40590	40720
48	1992-95	40560	40710	250 V6 Loop	1998-1999	40520	40720
50	1958-59	40540	40710	275\3.6 L	1985-88	40590	40720
50	1971-95	40560	40710	300	1988	40590	40720
50	1993	40560	40710	300	1991-93	40590	40720
55	1968-69,71-95	40560	40710	130/200/225/250	2000	40520	40720
55	1992	40560	40710	135/200/225/250	2001	40520	40720

TOC

Manifolds-Merc.

Manifolds-OMC

Manifolds-Volvo

Manifolds-Barr

MerCruiser

Merc / Mar / For

OMC / Volvo

Johnson / Evin

Yamaha

Index / X-Ref.

Warranty

GLM Products, Inc.

Fuel Pump Kits - Johnson / Evinrude



- 40810** OEM: 393088 Fuel Pump Kit
- 40820** OEM: 393103 Fuel Pump Kit
- 40830** OEM: 398514 Fuel Pump Kit
- 40840** OEM: 432962 Fuel Pump Kit
- 40850** OEM: 438616 Fuel Pump Kit

Fuel Pump Components - Johnson / Evinrude



- 04095** OEM: 335334 Check Valve
- 33110** OEM: 338876 Fuel Pump Gasket
- 34080** OEM: 303615 Fuel Pump Mounting Gasket
- 33370** OEM: 338879 Fuel Pump Gasket
- 31172** OEM: 303630 Fuel Pump Screw Gasket (Washer Fiber)
- 04092** OEM: 331307 Diaphragm

FUEL PUMP KITS APPLICATION

HP / Model	Year	Fuel Pump Kit	HP / Model	Year	Fuel Pump Kit
2.5	1987-88	40810	45, 55 Comm.	1989-90	40830
4	1981-Up	40810	48	1987	40830
4.0 Deluxe	1992-93	40810	48	1988	40840
4.5	1981-Up	40810	48, 50	1990	40840
5	1985-93	40810	50	1958-59	-
6	1977-Up	40810	50	1987	40830
6.5	1989-90	40810	50, 60	1982-84	40820
7.5	1982-83	40810	55	1983	40820
8	1984-93	40810	55 Comm.	1984	40820
9.9, 15	1981	40820	55-75	1970-78	40820
9.9, 15	1982-Up	40810	60	1964-67	-
9.9 Electric & 15	1987-89	40830	60	1988	40830
9.9 Electric & 15	1990-Up	40850	65	1985-87	40820
10/14	1989-90	40810	65	1990	40830
14	1988	40810	65 Comm.	1984	40820
20/25	1977-86	40820	65 Comm.	1988-89	40830
20-30	1990-Up	40850	70, 75	1982-84	40820
20, 25, 30	1987	40830	70	1990	40830
20, 25, 30	1988-89	40840	75	1960-65	-
20, 25, 30 Rope	1990	40840	80	1966-67	-
20, 30, 35 Remote	1990	40840	85	1978-83	40820
20/35 Rope	1989	40840	88	1987	40830
25 Comm.	1982	40820	88, 90, 110	1988-89	40830
25 Comm.	1988-90	40840	88, 90, 100, 115	1990	40830
28	1962-63	-	88, 100, 125	1990-Up	40850
28	1987	40830	90	1964-65	-
30, 35	1976-86	40820	90, 115	1978-83	40820
35	1958-59	-	90, 115, 140	1982	40820
40	1960-64	-	100	1966	-
40	1987	40830	100 Comm.	1989-90	40830
40	1990-Up	40850	125 Comm.	1989-90	40830
40	1970-78	40820	V4 140	1978-83	40820
40, 50	1988-89	40840	150, 175, 200	1982	40820
45	1958-59	-	V6 150, 175	1983	40820
45, 48, 50	1989	40840	155 Comm.	1989-90	40830
45, 48, 50	1990-Up	40850	V6 235	1983	40820
45, 55	1985-86	40830	2.6	1984	40830
45, 55	1987	40830	3.0	1991-93	40810

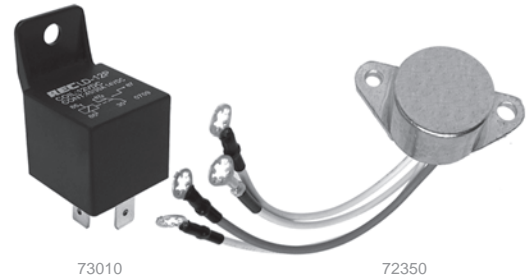
GLM Products, Inc.

Point Sets & Condenser Johnson / Evinrude



- 70070** OEM: 580148 Point Set
- 70200** OEM: 581207 Point Set
- 70590** OEM: 580256 Condenser

Power Trim Relay & Rectifiers Johnson / Evinrude



- 73010** OEM: 586147, Power Trim Relay
OEM: 586224
- 72350** OEM: 581778 Rectifier - 4 wire

POINT SETS & CONDENSER APPLICATION

HP / Model	Year	Point Sets	Condenser	HP / Model	Year	Point Sets	Condenser
1.5, 2	1968-90	70070	-	25	1969-76	70070	-
3	1952-68	70070	-	28	1962-64	70070	-
4	1965-76	70070	-	30	1956	70070	-
4	1981-90	70070	-	33	1965-70	70070	-
4.5	1981	70200	-	35	1958-59	70070	-
5	1965-68	70070	-	35	1976	70070	-
5.5	1954-64	70070	-	40	1960-61	70200	-
6	1965-76	70070	-	40	1962-73	70070	-
7.5	1956-58	70070	-	40	1974-76	70070	-
9.5	1964-73	70070	-	40 C	1981-83	70200	-
10	1954-63	70070	-	45	1958-59	-	70590
15	1956	70200	-	50	1958-59	-	70590
15	1974-76	70070	-	60	1964-67	-	70590
18	1957-61	70070	-	75	1960-65	-	70590
18	1962-73	70070	-	80	1966-67	-	70590
20	1962-73	70070	-	90	1964-75	-	70590
25	1955	70070	-	100	1966	-	70590

POWER TRIM RELAY APPLICATION

HP / Model	Year	P.T. Relay	HP / Model	Year	P.T. Relay
80	1984-92	73010	125 (Comm. Models Only)	1982-92	73010
SST 60	1989-90	73010	140	1982-92	73010
85 (Comm. Models Only)	1985-92	73010	150	1982-92	73010
70	1982-92	73010	155 (Comm. Models)	1984-92	73010
75	1982-88	73010	2500cc	1988	73010
85	1991-92	73010	175	1982-92	73010
88	1987-92	73010	185	1984-92	73010
90	1981	73010	200 (Comm. Models Only)	1982-92	73010
100 w/ Elec. Shift	1984-92	73010	225	1986-92	73010
F600cc (13)	1988	73010	235	1982-85	73010
110	1986-89	73010	250	1991-91	73010
115	1982-92	73010	275	1985-88	73010
120	1985-92	73010			

RECTIFIER APPLICATION

Model	Year	Rectifier	Model	Year	Rectifier
50	1971-75	72350		(Except 1992 WTLNE & WTXENE)	
55	1976-77	72350	115	1973-92	72350
60	1970 (D Models), 1971	72350	125	1971-72	72350
60	1989-91 (EL & TL Models)	72350	135	1974 (135443, 135483 Models)	72350
SST 60	1989-90	72350	135	1973, 1975-76	72350
65	1972-73, 1988-91	72350	140	1977-88	72350
70	1992-01	72350	150	1979-88	72350
75	1975-88	72350	155	1984-88	72350
85	1970-80	72350	175	1977-83	72350
88	1989-92	72350	185	1984-88	72350
90	1981-92	72350	200	1976-83	72350
100	1971, 1979-80, 1984-92	72350	235	1978-88	72350

GLM Products, Inc.

TOC

Manifolds-Merc.

Manifolds-OMC

Manifolds-Volvo

Manifolds-Barr

MerCruiser

Merc / Mar / For

OMC / Volvo

Johnson / Evin

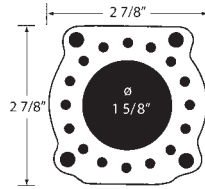
Yamaha

Index / X-Ref.

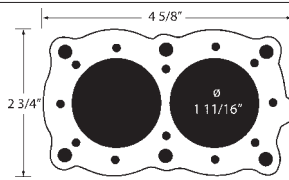
Warranty

Head Gasket Identification
1, 2 & 3-Cylinder - Johnson / Evinrude

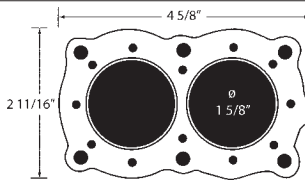
33850 OEM: 33850
2 HP, 1-Cyl.,
(1969-1990)



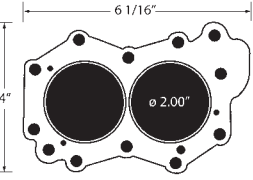
34010 OEM: 203130
4 HP, 2-Cyl.,
(1968-1980)



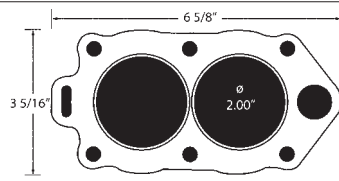
33860 OEM: 332010
2.5, 3, 4, 4.5 HP,
2-Cyl., (1987-1998)



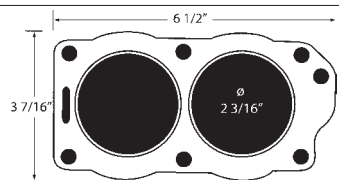
33830 OEM: 329103
6 HP, 2-Cyl.,
(1959-1979)



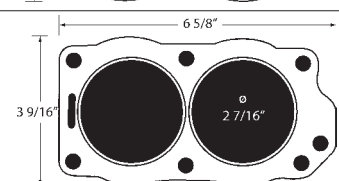
36310 OEM: 325273
6, 7.5, 8 HP.,
2-Cyl. (1980-1998)



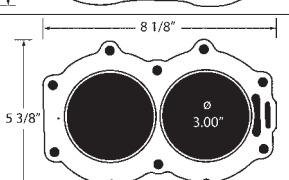
34140 OEM: 330818
9.9, 15 HP
2-Cyl. (1985-1992)



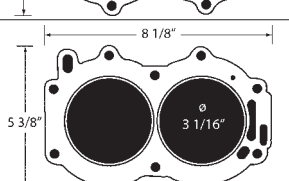
36020 OEM: 338222
9.9, 15 HP
2-Cyl. (1993-1999)



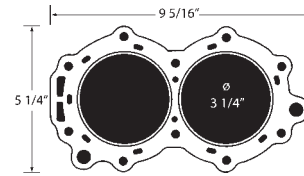
35840 OEM: 319633
25, 35 HP,
2-Cyl. (1976-1978)



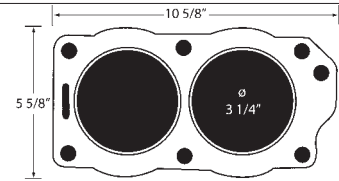
34570 OEM: 329419
20, 25, 28, 30, 35 HP
2-Cyl. (1979-2000)



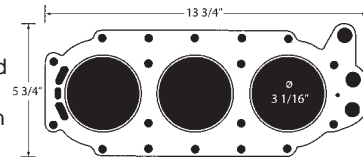
35990 OEM: 307069
40 HP, 2-Cyl.,
Crossflow
(1987-1998)



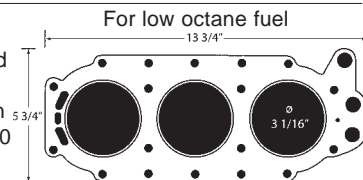
34250 OEM: 335359
Large 2-Cyl.,
Loopcharged
(1976-2001)



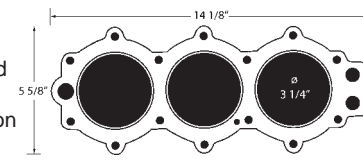
33400 OEM: 313413
3-Cyl. Loopcharged
(1968-1989)
For ø 3.000" Piston



35830 OEM: 332816
3-Cyl. Loopcharged
(1968-1989)
For ø 3.000" Piston
Same as No. 33400
except thicker

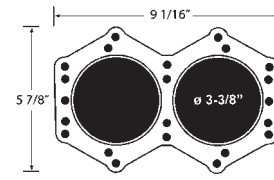


34280 OEM: 329836
3-Cyl. Loopcharged
(1986-2001)
For ø 3.1875" Piston

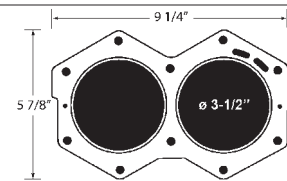


Head Gasket Identification
V4, V6 & V8 - Johnson / Evinrude

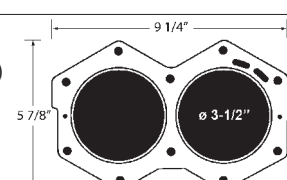
34030 OEM: 306048
V4 90° Crossflow
(1968-1972)
For ø 3.375" Piston



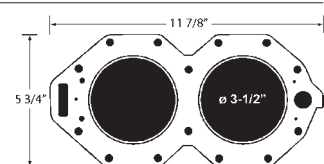
33540 OEM: 318358
V4 90° Crossflow
(1968-1972)
For ø 3.500" Piston



35820 OEM: 332819
V4 90° Crossflow (1973-94)
For ø 3.500" Piston
Same as No. 33540
except thicker for
low octane fuel



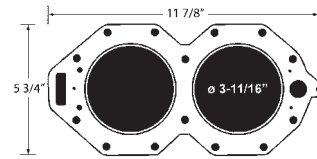
34400 OEM: 328623
V4 90° Loopcharged
(1985-1987)
For ø 3.500" Piston



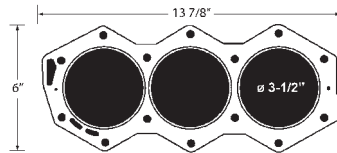
GLM Products, Inc.

Head Gasket Identification V4, V6 & V8 continued...

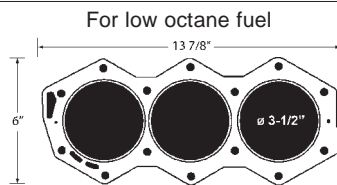
35930 OEM: 340115
V4 90° Loopcharged
(1988-1999)
For ø 3.6875" Piston



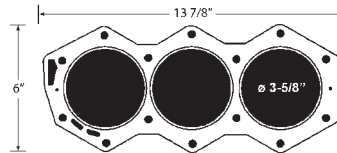
33870 OEM: 335360
V6 90° Crossflow
(1976-1991)
For ø 3.500" Piston



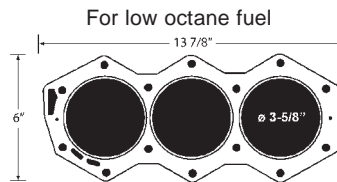
35940 OEM: 332817
V6 90° Crossflow
(1976-1991)
For ø 3.500" Piston
Same as No. 33870
except thicker



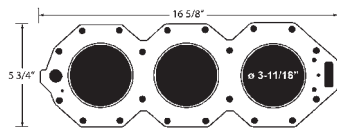
34240 OEM: 335361
V6 90° Crossflow
(1980-1991)
For ø 3.625" Piston



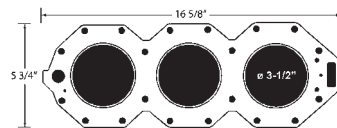
35960 OEM: 332818
V6 90° Crossflow
(1980-1991)
For ø 3.625" Piston
Same as No. 34240
except thicker



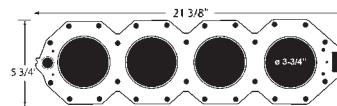
34590 OEM: 333670
V6 90° Loopcharged
(1988-2001)
For ø 3.685" Piston



35950 OEM: 331211
V6 90° Loopcharged
(1985-1987)
For ø 3.500" Piston



35970 OEM: 340116
V8 90° Loopcharged
(1994-1998)
For ø 3.685" Piston



Head Gaskets Johnson / Evinrude



1, 2 & 3-Cylinder		
33850	OEM: 313782	2 HP, 1-Cyl. (1969-1990) For ø 1.625" Piston
34010	OEM: 203130	4 HP, 2-Cyl. (1968-1980) For ø 1.6875" Piston
33860	OEM: 332010	2.5, 3, 4, 4.5 HP, 2-Cyl. (1987-1998) For ø 1.625" Piston
33830	OEM: 329103	6 HP, 2-Cyl. (1959-1979) For ø 2.000" Piston
36310	OEM: 325273	6, 7.5, 8 HP, 2-Cyl. (1980-1998) For ø 2.000" Piston
34140	OEM: 330818	9.9, 15 HP, 2-Cyl. (1985-1992) For ø 2.1875" Piston
36020	OEM: 338222	9.9, 15 HP, 2-Cyl. (1993-1999) For ø 2.4375" Piston
35840	OEM: 319633	25, 35 HP, 2-Cyl. (1976-1978) For ø 3.000" Piston
34570	OEM: 329419	20, 25, 28, 30, 35 HP, 2-Cyl. (1979-00) For ø 3.0625" Piston
35990	OEM: 307069	40 HP, 2-Cyl. Crossflow (1960-1986) For ø 3.250" Piston
34250	OEM: 335359	Large, 2-Cyl. Loopcharged (1976-01) For ø 3.250" Piston
33400	OEM: 313413	3-Cyl. Loopcharged (1968-1989) For ø 3.000" Piston
35830	OEM: 332816	3-Cyl. Loopcharged (1968-1989) For ø 3.000" Piston, low octane fuel
34280	OEM: 329836	3-Cyl. Loopcharged (1986-2001) For ø 3.1875" Piston
V4, V6 & V8		
34030	OEM: 306048	V4 90° Crossflow (1968-1972) For ø 3.375" Piston
33540	OEM: 318358	V4 90° Crossflow (1973-1994) For ø 3.500" Piston
35820	OEM: 332819	V4 90° Crossflow (1973-1994) For ø 3.500" Piston, low octane fuel
34400	OEM: 328623	V4 90° Loopcharged (1985-1987) For ø 3.500" Piston
33540	OEM: 318358	V4 90° Loopcharged (1988-1999) For ø 3.8675" Piston
33870	OEM: 335360	V6 90° Crossflow (1976-1991) For ø 3.500" Piston
35940	OEM: 332817	V6 90° Crossflow (1976-1991) For ø 3.500" Piston, low octane fuel
34240	OEM: 335361	V6 90° Crossflow (1980-1991) For ø 3.625" Piston
35960	OEM: 332818	V6 90° Crossflow (1980-1991) For ø 3.625" Piston, low octane fuel
34590	OEM: 333670	V6 90° Loopcharged (1988-2001) For ø 3.685" Piston
35950	OEM: 331211	V6 90° Loopcharged (1985-1987) For ø 3.500" Piston
35970	OEM: 340116	V8 90° Loopcharged (1994-1998) For ø 3.685" Piston

TOC

Manifolds-Merc.

Manifolds-OMC

Manifolds-Volvo

Manifolds-Barr

MerCruiser

Merc / Mar / For

OMC / Volvo

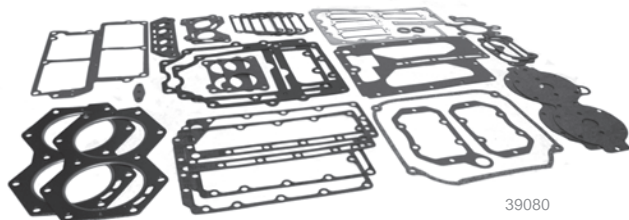
Johnson / Evin

Yamaha

Index / X-Ref.

Warranty

**Powerhead Gasket Kits
Johnson / Evinrude**



2-Cylinder

39380	OEM: 394546	9.9-15 HP (1984-1992)
39353	OEM: 436358	9.9-15 HP (1993-1999)
39420	OEM: 433941	20, 25, 30 HP Crossflow (1996-1999)
39355	OEM: 390700	40 HP Comm., Crossflow (1983-1986)
39370	OEM: 439083	40-60 HP, 2-Cyl. Loopcharged (1998-01)

3-Cylinder

39350	OEM: 390078	60-70 HP, 3-Cyl. (1979-1988)
39390	OEM: 438904	60-70 HP, 3-Cyl. (1986-2001)

V4 Crossflow

39360	OEM: 388602	V4 90° Crossflow (1973-1977)
39080	OEM: 439085	V4 90° Crossflow (1978-1994)

V4 90° Loopcharged

39354	OEM: 396750	V4 90° Loopcharged 120-140 HP (1985-87)
39400	OEM: 432570	V4 90° Loopcharged 120-140 HP (1988-99)

V4 60° Loopcharged

39351	OEM: 439559	V4 60° Loopcharged, Carb., 90-115 HP (1995 & Up)
39356	OEM: 5000400	V4 60° Loopcharged, EFI, 90-115 HP (1998 & Up)

V6 90° Crossflow

39090	OEM: 391988	V6 Crossflow (1978-1991) (All except 175-235 HP, 1980-1991)
39430	OEM: 434381	V6 Crossflow, 175, 235 HP (1980-91)

V6 60° Loopcharged

39352	OEM: 437155	V6 60° Loopcharged, Carb., 150-175 HP (1991-1999)
--------------	-------------	---

V6 90° Loopcharged

39930	OEM: 398172	V6 90° Loopcharged, Carb., 200, 225 HP (1986-1987)
39410	OEM: 436891	V6 90° Loopcharged, Carb., 200-225 HP (1988-1993)
39510	OEM: 437725	V6 90° Loopcharged, Carb., 200, 225, 250 HP (1994-2001)

V8

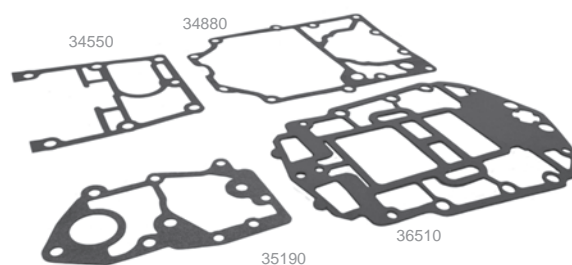
39070	OEM: 398693	V8 250, 275 HP, 300 Special (1994-98)
--------------	-------------	---------------------------------------

Exhaust Housing Seals & Crankcase Cover Screw



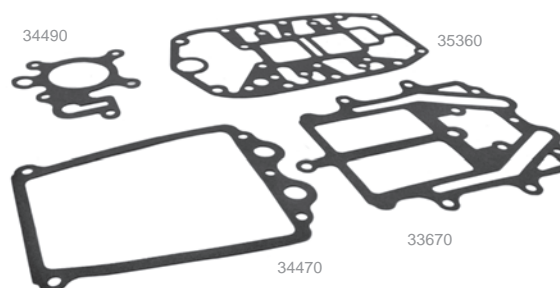
85830	OEM: 320936	86210	OEM: 324937
85840	OEM: 320961	22301	OEM: 317763 - Screw

**Powerhead Mounting Gaskets
Johnson / Evinrude**



35190	OEM: 324717	9.9, 15 HP (1972-1985)
33080	OEM: 325721	9.9, 15 HP (1986 & Up)
33430	OEM: 314421	18, 25 HP
33190	OEM: 319348	28, 33, 40 HP
34350	OEM: 319710	25, 35 HP (1976-1978)
33710	OEM: 330621	25, 35 HP (1979 & Up)
35340	OEM: 351018	9.9, 15 HP, 2-Cyl. Loopcharged
35430	OEM: 329828	60, 70 HP, 3-Cyl.
33410	OEM: 313763	3-Cyl., Thin Gasket
34550	OEM: 328618	3-Cyl., Thick Gasket
34880	OEM: 318373	V4 90° Crossflow (1973-1977)
33640	OEM: 342513	V4 90° Crossflow (1978-1997)
35370	OEM: 328590	V4 90° Loopcharged
36500	OEM: 343853	V4 60° (1997)
36510	OEM: 344386	V4 60° (1998 & Up)
34460	OEM: 323214	V6 90° Crossflow
36560	OEM: 335419	V6 60°
35790	OEM: 335503	V6 90° Loopcharged
35780	OEM: 333879	V6 90° Loopcharged
35460	OEM: 329975	V8 90° Loopcharged

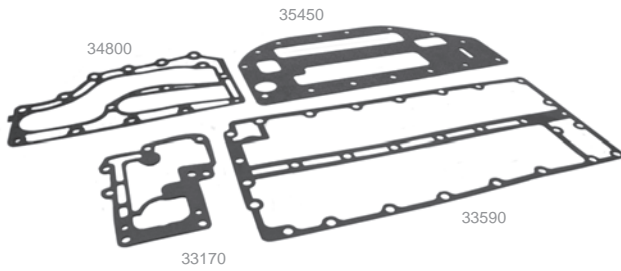
**Intermediate Housing Exhaust Gaskets
Johnson / Evinrude**



35360	OEM: 351019	2-Cyl., Loopcharged
35420	OEM: 329826	2-Cyl., Loop, Exhst Relief Cvr
34600	OEM: 331016	3-Cyl. (1972-1985)
35810	OEM: 336308	3-Cyl., 60, 70 HP (1986 & Up)
34500	OEM: 324516	V6 90° Crossflow
33670	OEM: 323292	V6 90° Crossflow
35680	OEM: 331585	V6 90° Crossflow
34470	OEM: 323222	V4/V6 90° Crossflow
34490	OEM: 323459	V4 90° Crossflow
35770	OEM: 343809	V6 90° Loopcharged
35760	OEM: 333564	V6 90° Loopcharged

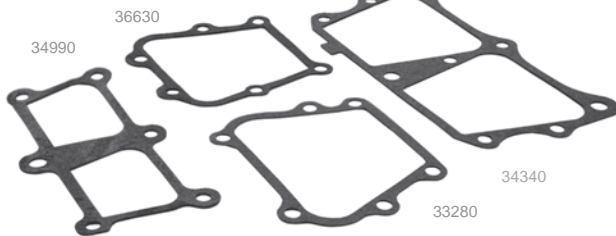
GLM Products, Inc.

Powerhead Exhaust Gaskets Johnson / Evinrude



33170	OEM: 313065	5, 5.5, 6 HP
35200	OEM: 325211	5, 5.5, 6 HP
34320	OEM: 318915	9.9, 15 HP
33690	OEM: 324323	25, 35 HP
35330	OEM: 326264	2-Cyl. Crossflow
33230	OEM: 304762	2-Cyl. Crossflow
34800	OEM: 315868	2-Cyl. Loopcharged
34850	OEM: 315869	2-Cyl. Loopcharged
34610	OEM: 331916	3-Cyl.
34620	OEM: 331917	3-Cyl.
35450	OEM: 343863	3-Cyl., 60-70 HP
34300	OEM: 317955	V4 90° Crossflow
34290	OEM: 317914	V4 90° Crossflow
33240	OEM: 305176	V4 90° Crossflow
33680	OEM: 323469	V4 90° Crossflow
33510	OEM: 318156	V4 90° Crossflow
34650	OEM: 393561	V6 90° Crossflow, 235 HP
33620	OEM: 321435	V6 90° Crossflow
33590	OEM: 321182	V6 90° Crossflow
32560	OEM: 336430	V6 90° Crossflow

Powerhead Transfer Port Gaskets Johnson / Evinrude



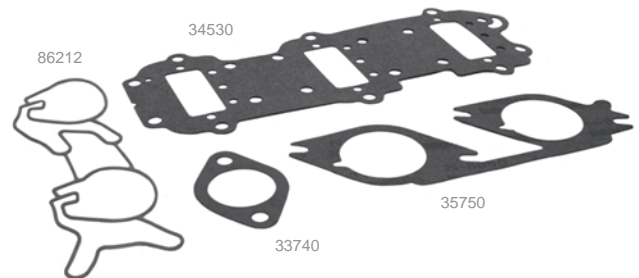
34990	OEM: 319332	9.9, 15 HP Crossflow
34340	OEM: 319661	25, 35 HP Crossflow
36630	OEM: 304784	2-Cyl. Crossflow
33280	OEM: 307133	V4 90° Crossflow

Powerhead Water Passage Cover Gaskets Johnson / Evinrude



34580	OEM: 329920	9.9, 15 HP
33560	OEM: 319665	25, 35 HP
33700	OEM: 327674	25, 35 HP
34780	OEM: 315538	50, 55 HP
36640	OEM: 318962	2-Cyl. Loopcharged
33530	OEM: 318335	V4
34310	OEM: 318609	3-Cyl.
34370	OEM: 321028	V6
86214	OEM: 3010036	V4/V6 60° (1997-00) Regulator Mount Gasket
36540	OEM: 342291	V4/V6 60° - Regulator Mount Gasket
35470	OEM: 344472	V4/V6 90° - Regulator Mount Gasket
34870	OEM: 317951	V4/V6
34450	OEM: 322858	V4/V6
35760	OEM: 333564	V6 90° Loopcharged

Carburetor to Intake Manifold Gaskets Johnson / Evinrude



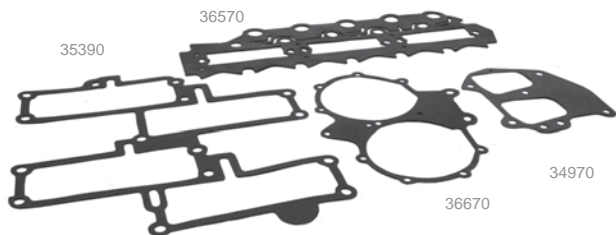
33740	OEM: 325092	Carburetor to Manifold
34980	OEM: 318932	Carburetor to Manifold
35750	OEM: 332319	Throttle Body to Manifold
33460	OEM: 315052	V4 - Carburetor to Manifold
34540	OEM: 327707	V4/V6 - Carburetor to Manifold
34530	OEM: 326926	3-Cyl. - Carburetor to Manifold
34860	OEM: 317305	3-Cyl. - Carburetor to Manifold
36620	OEM: 344526	60° EFI - Throttle Body
86211	OEM: 335818	60° V4 - Intake to Carburetor Port
86212	OEM: 335819	60° V4 - Intake to Carburetor Starboard
86650	OEM: 335403	60° V6 - Intake to Carburetor Port
86651	OEM: 335404	60° V6 - Intake to Carburetor Starboard



TOC
Manifolds-Merc.
Manifolds-OMC
Manifolds-Volvo
Manifolds-Barr
MerCruiser
Merc / Mar / For
OMC / Volvo
Johnson / Evin
Yamaha
Index / X-Ref.
Warranty

GLM Products, Inc.

Intake Manifold & Reed Plate Gaskets Johnson / Evinrude



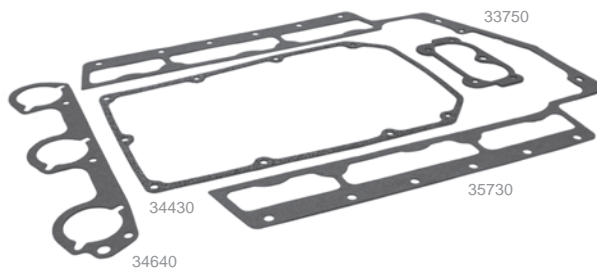
Reed Plate Gaskets

34970	OEM: 318924	9.9, 15 HP
35320	OEM: 325260	9.9, 15 HP
34390	OEM: 321479	25, 35 HP
33090	OEM: 326260	25, 35 HP
36660	OEM: 311364	40 HP Comm., Crossflow
36670	OEM: 311365	40 HP Comm., Crossflow
35400	OEM: 328626	V4/V6 90° Loopcharged, Reed Box
35740	OEM: 332266	V4/V6 90° Loopcharged, Reed Box
33660	OEM: 321907	V4/V6 90° Crossflow, Reed Box
36650	OEM: 317254	2-Cyl. Crossflow

Intake Manifold Gaskets

34790	OEM: 315578	2-Cyl. Loopcharged
35800	OEM: 335633	2-Cyl. Loopcharged
33180	OEM: 319174	V4 90° Crossflow
33610	OEM: 329718	V6 90° Crossflow
35390	OEM: 328622	V4/V6 90° Loopcharged
35540	OEM: 331532	V6 90° Loopcharged
36520	OEM: 336388	V4 60° - Port
36530	OEM: 336389	V4 60° - Starboard
36570	OEM: 336226	V6 60° - Port
36580	OEM: 336227	V6 60° - Starboard

Air Silencer & Cover to Base Gaskets Johnson / Evinrude



Air Silencer Gaskets

34480	OEM: 323338	25, 35 HP
36550	OEM: 336821	V4/V6 60° Loopcharged
37800	OEM: 338882	6, 8, 9.9, 15 HP
33750	OEM: 386573,	V4/V6 90° Crossflow
	319771	
35180	OEM: 321497	40-60 HP, 2-Cyl. Loopcharged
34420	OEM: 333008	3-Cyl.
34640	OEM: 314115	70, 75 HP
35380	OEM: 328604	120, 140, 275 & 300 HP
35490	OEM: 330909	40-60 HP, 2-Cyl. Loopcharged
35000	OEM: 320679	40-60 HP, 2-Cyl. Loopcharged
35480	OEM: 330698	40-60 HP, 2-Cyl. Loopcharged
34430	OEM: 321794	3-Cyl.
33630	OEM: 321722	V4
34380	OEM: 321183	V6
34740	OEM: 314322	70, 75 HP

Cover to Base Gaskets

35500	OEM: 331101	V4
35350	OEM: 327236	V6
35730	OEM: 331598	V6

HEAD GASKET APPLICATION - 1974 & LATER MODELS

Model	Year	GLM No.	Model	Year	GLM No.
2 Colt, Junior®	1969-90	33850	115, 135, 140 V4 Crossflow	1973-78	33540
2.3, 3.3, 3.5	1991-Up	-	85, 88, 90, 100, 110, 115 V4 Crossflow	1978-94	33540
4	1968-80	34010	115 V4 Crossflow	1985	35820
2.5, 3, 4, 4.5, Ultra, Excel 4	1981-98	33860	135, 140 V4 Crossflow	1973-84	35820
6 (145cc)	1959-79	33830	140 V4 Crossflow	1977-84	33540
6, 7.5, 8 (164cc)	1980-98	36310	120, 140, V4 Loopcharged	1985-87	34400
9.9, 15 (216cc)	1974-92	34140	120, 130, 140 V4 Loopcharged, 2 L	1988-99	35930
9.9, 15 (255cc)	1993-99	36020	150, 155, 175, 185, 200 Crossflow	1976-91	33870
25 (361cc)	1974-76	-	150, 155, 175, 185, 200 Crossflow	1976-91	35940
25 (521cc)	1977-78	35840	175 V6 Crossflow	1986-92	34240
35 (521cc)	1976-78	35840	200, 225 V6 Loopcharged	1986-87	35950
20, 25, 28, 30, 35 (521cc)	1979-00	34570	200, 225 Loopcharged V6, 3 L	1988-93	34590
40, 40 Comm. (719cc)	1968-86	35990	200, 225, 250 V6 Loopcharged, 3L	1994-01	34590
50 (680cc)	1974-75	-	235 V6 Crossflow	1978-79	33870
40, 45, 48, 50, 55, 60 (737cc)	1976-01	34250	235 V6 Crossflow	1980-85	34240
60 3-Cyl. (814cc)	1986-89	33400	235 V6 Crossflow	1978-79	35940
60 3-Cyl. (913cc)	1974-85	33400	235 V6 Crossflow	1980-85	35960
70 3-Cyl. (814cc)	1989-01	34280	2.6 XP-GT V6 Crossflow	1983-85	-
70 3-Cyl. (913cc)	1986-01	34280	2.6 XP-GT V6 Crossflow	1983-85	35960
75 3-Cyl. (814cc)	1975-89	33400	275, 3.6 L V8 Loopcharged	1985-87	-
75 3-Cyl. (814cc) Low Octane	1975-78	35830	250, 275, 300 V8 Loopcharged, 4 L	1988-93	35970
85 V4 Crossflow	1974-78	-	300 V8 Loopcharged, 4 L	1993-94	35970



TOC

Manifolds-Merc.

Manifolds-OMC

Manifolds-Volvo

Manifolds-Barr

MerCruiser

Merc / Mar / For

OMC / Volvo

Johnson / Evin

Yamaha

Index / X-Ref.

Warranty

GLM Products, Inc.

HEAD GASKET APPLICATION - FAST MOVING GASKETS FOR OLDER MODELS

Model	Year	GLM No.	Model	Year	GLM No.
5, 5.5, 6	1959-73	33830	60, 65	1970-73	35830
40	1960-73	35990	75, 80, 85, 90, 100, 115	1960-70	34030
50, 60, 65	1968-73	33400	115, 135	1973	33540

POWERHEAD GASKET KITS APPLICATION

Model	Year	GLM No.	Model	Year	GLM No.
2-Cylinder			V4 Crossflow		
2 Colt, Junior®	1985-88	-	85	1973-77	39360
2 Colt, Junior®	1989-90	-	115, 135, 140 Use 33540 HD Gskt, Plus P/N	1973-77	39360
4	1978-82	-	85	1978	-
2.5, 4, 4.5, Ultra or Excel 4	1983-87	-	85, 88, 90, 110, 115	1979 & Up	39080
2.5, 4, 4.5, Ultra or Excel 4	1988-90	-	100, 115, 140	1978-84	39080
3, 4	1991 & Up	-	115	1985	39080
5, 6	1984-90	-	V4 90° Loopcharged		
5, 6, 8	1991 & Up	-	120-140	1985-87	39354
6	1972-79	-	120-140	1988-94	39400
6, 7.5	1981-83	-	130	1995	39400
8	1980-83	-	V4 60° Loopcharged		
8	1984-90	-	90-115 V4 60°	1995 & Up	39351
9.9, 15	1974-92	39380	90-115 FFI	1998 & Up	39356
9.9, 15	1993 & Up	39353	V6 90° Crossflow		
18	1970-73	-	150	1978-91	39090
25	1973-76	-	155	1986-91	39090
25	1977-78	-	175	1977-85	39090
20, 25, 28, 30	1979 & Up	39420	185	1984-85	39090
35	1979-86	39420	200	1976-83	39090
40	1970-71	-	235	1978-79	39090
40 Comm.	1987-91	39355	175	1986-91	39430
40, 45, 48, 55	1980 & Up	39370	235	1980-85	39430
50	1971-75	39370	235	1983-85	-
55	1976	39370	V6 60° Loopcharged		
55	1977-79	39370	150-175 V6 60°	1991 & Up	39352
50	1980	39370	150-175 FFI	1997-98	-
55, 60	1980-85	39370	150-175 FFI	2000 & Up	-
3-Cylinder			V6 90° Loopcharged		
50	1995	39390	200, 225	1985-87	39930
60	1986-88	39350	200, 225	1988-1993	39410
60	1989 & Up	39390	200, 225	1994-01	39510
65 Use 33400 HD Gskt, Plus P/N	1972-73	39350	V8		
65	1984-86	39350	275, 3.6 L	1985-87	-
65	1987 & Up	39390	250, 275, 300 Special	1988 & Up	39070
70	1974-85	39350	200-250 FFI	2001	-
70	1986 & Up	39390			

TOC

Manifolds-Merc.

Manifolds-OMC

Manifolds-Volvo

Manifolds-Barr

MerCruiser

Merc / Mar / For

OMC / Volvo

Johnson / Evin

Yamaha

Index / X-Ref.

Warranty

GLM Products, Inc.

TOC

Manifolds-Merc.

Manifolds-OMC

Manifolds-Volvo

Manifolds-Barr

MerCruiser

Merc / Mar / For

OMC / Volvo

Johnson / Evin

Yamaha

Index / X-Ref.

Warranty

**Universal Puller Plate
Johnson / Evinrude**



90150 OEM: 91-37241 Pulls gears & bearings.

**Drive Shaft Adaptor
Johnson / Evinrude**



90350 OEM: 314438 Drive Shaft Adaptor

**Prop & Bearing Carrier Puller
Johnson / Evinrude**

TOES IN
For prop & old style
bearing carrier.



TOES OUT
For new style
bearing carrier.

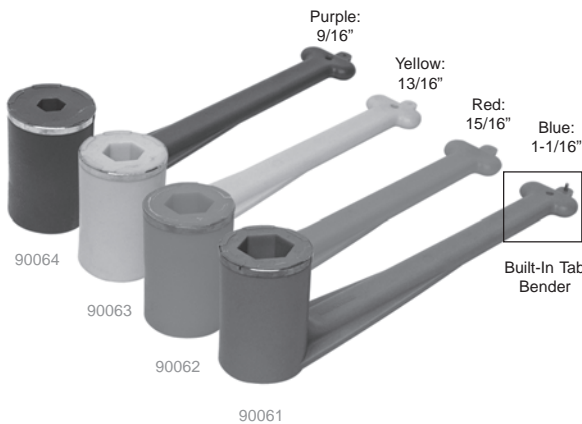
90095 OEM: N/A For all style bearing carrier and most prop. (5 ton min.)

**Pinion Nut Adaptor Kit
Johnson / Evinrude**



90340 OEM: N/A Pinion Nut Adaptor Kit (includes No. 90350)

**Prop Wrenches - Color Coded
Johnson / Evinrude**



- 90061** OEM: 91-859046M4 Color Coded: Blue 1-1/16" With Built-In Tab Bender
- 90062** OEM: 91-859046M3 Color Coded: Red 15/16"
- 90063** OEM: 91-859046M2 Color Coded: Yellow 13/16"
- 90064** OEM: 91-859046M1 Color Coded: Purple 9/16"

**Drive Shaft Shimming Tool
Johnson / Evinrude**



For use with OMC Stringer and Cobra V6 Outboards with "O" Type or "M" Type Gearcases.

Not for use with Magnum Gearcases.

90330 OEM: N/A Drive Shaft Shimming Tool

GLM Products, Inc.

OIL SEALS SHAFT & BORE SIZE

Table By OEM Numbers

GLM No.	OEM No.	Shaft Size	Bore Size	GLM No.	OEM No.	Shaft Size	Bore Size
86530	302564	0.7813	1.3750	86200	321928	0.6250	1.3750
86360	303345	0.5625	1.0000	86510	324639	0.4375	0.9375
86380	305987	1.0000	1.3750	86750	326716	0.7500	1.3750
86370	309989	1.3750	2.0000	86450	327031	0.4375	0.8750
85110	310599	1.0000	1.5000	86240	329922	0.8750	1.3750
86040	310649	2.5000	3.0000	86250	329923	0.8750	1.3750
86390	313282	0.5540	1.0625	86030	330137	1.1250	1.6250
86740	313283	0.8125	1.3125	86270	330327	0.6250	1.1250
86410	313284	0.6250	1.1250	86790	331103	1.1250	1.6250
86050	313353	1.9375	2.4375	86460	332205	0.7500	1.1250
85010	313392	1.1875	1.8750	86520	332261	0.6250	1.3750
86012	314281	1.2500	1.6875	86470	332942	1.6250	2.0625
86400	314167	0.4219	0.9375	86810	334950	1.2500	1.6875
86120	318972	0.5000	0.8750	86440	339620	1.6250	2.1250
85130	320862	1.1875	1.6875	86011	341280	0.8750	1.3750
85120	321453	0.8750	1.2500	86013	342786	0.7500	1.1875
86150	321459	0.6250	1.1250	86590	908855	0.6250	1.0000
86160	321466	0.7500	1.1250	86070	911019	1.0000	2.5000
86060	321467	1.0000	1.3750	86530	911685	2.0000	2.5000
86170	321480	0.5000	1.2500	86550	911788	1.0000	1.3750
86180	321481	0.6875	1.2500	86560	911785	1.3750	2.1875
86420	321786	0.6250	1.1250	86010	981195	1.5000	2.1250
86190	321787	0.6250	1.1250	86080	981196	1.7500	2.5000
86430	321788	0.5000	1.0000	86090	981268	1.6250	2.5000
86760	321831	0.7500	1.2500	86560	3852548	1.3750	2.1875
86770	321895	1.6250	1.9219	86610	3853655	0.5000	0.9062

Table By Shaft Size

GLM No.	OEM No.	Shaft Size	Bore Size	GLM No.	OEM No.	Shaft Size	Bore Size
86400	314167	0.4219	0.9375	86011	341280	0.8750	1.3750
86450	327031	0.4375	0.8750	86240	329922	0.8750	1.3750
86510	324639	0.4375	0.9375	86250	329923	0.8750	1.3750
86120	318972	0.5000	0.8750	85110	310599	1.0000	1.5000
86170	321480	0.5000	1.2500	86060	321467	1.0000	1.3750
86430	321788	0.5000	1.0000	86070	911019	1.0000	2.5000
86610	3853655	0.5000	0.9062	86380	305987	1.0000	1.3750
86390	313282	0.5540	1.0625	86550	911788	1.0000	1.3750
86360	303345	0.5625	1.0000	86030	330137	1.1250	1.6250
86410	313284	0.6250	1.1250	86790	331103	1.1250	1.6250
86150	321459	0.6250	1.1250	85010	313392	1.1875	1.8750
86190	321787	0.6250	1.1250	85130	320862	1.1875	1.6875
86200	321928	0.6250	1.3750	86012	314281	1.2500	1.6875
86270	330327	0.6250	1.1250	86810	334950	1.2500	1.6875
86420	321786	0.6250	1.1250	86370	309989	1.3750	2.0000
86520	332261	0.6250	1.3750	86560	911785	1.3750	2.1875
86590	908855	0.6250	1.0000	86560	3852548	1.3750	2.1875
86180	321481	0.6875	1.2500	86010	981195	1.5000	2.1250
86160	321466	0.7500	1.1250	86090	981268	1.6250	2.5000
86460	332205	0.7500	1.1250	86440	339620	1.6250	2.1250
86013	342786	0.7500	1.1875	86470	332942	1.6250	2.0625
86750	326716	0.7500	1.3750	86770	321895	1.6250	1.9219
86760	321831	0.7500	1.2500	86080	981196	1.7500	2.5000
86530	302564	0.7813	1.3750	86050	313353	1.9375	2.4375
86740	313283	0.8125	1.3125	86530	911685	2.0000	2.5000
85120	321453	0.8750	1.2500	86040	310649	2.5000	3.0000

TOC
Manifolds-Merc.
Manifolds-OMC
Manifolds-Volvo
Manifolds-Barr
MerCruiser
Merc / Mar / For
OMC / Volvo
Johnson / Evin
Yamaha
Index / X-Ref.
Warranty

GLM Products, Inc.

TOC

Manifolds-Merc.

Manifolds-OMC

Manifolds-Volvo

Manifolds-Barr

MerCruiser

Merc / Mar / For

OMC / Volvo

Johnson / Evin

Yamaha

Index / X-Ref.

Warranty

O-RINGS

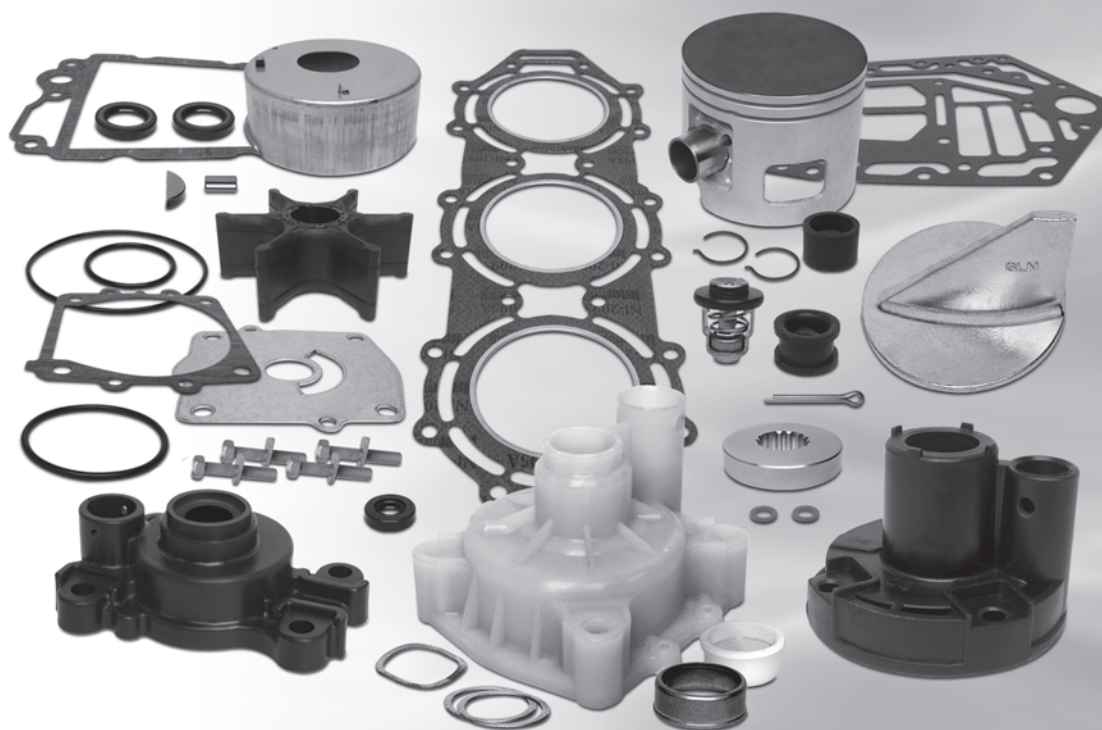
GLM	OEM	I.D.	O.D.	W.	GLM	OEM	I.D.	O.D.	W.	GLM	OEM	I.D.	O.D.	W.
Table By OEM Numbers														
80120	202893	3/8	1/2	1/16	81230	309731	1 3/16	1 3/8	3/32	81140	329380	5/8	13/16	3/32
81070	301824	7/32	13/32	3/32	82250	310327	1 7/8	2 1/8	1/8	81100	329381	3/8	9/16	3/32
45230	301877	31/128	73/128	21/128	82390	310414	3 5/8	3 7/8	1/8	80100	332583	1/4	3/8	1/16
81170	301967	13/16	1	3/32	82100	310584	3/4	1	1/8	80100	332584	1/4	3/8	1/16
82260	302337	2	2 1/4	1/8	81160	310585	3/4	15/16	3/32	81080	333572	1/4	7/16	3/32
82170	302493	1 3/16	1 7/16	1/8	81160	310967	3/4	15/16	3/32	81540	335523	3 3/4	3 15/16	3/32
81260	302537	1 3/8	1 9/16	3/32	80180	311338	3/4	7/8	1/16	81450	338518	2 9/16	2 3/4	3/32
82140	302540	1	1 1/4	1/8	82480	313175	4 3/4	5	1/8	81300	338522	1 5/8	1 13/16	3/32
82240	302588	1 3/4	2	1/8	81310	313340	1 11/16	1 7/8	3/32	81120	339543	1/2	11/16	3/32
81100	303067	3/8	9/16	3/32	82370	313446	3 3/8	3 5/8	1/8	82360	553126	3 1/4	3 1/2	1/8
80110	303191	5/16	7/16	1/16	81340	313754	1 7/8	2 1/16	3/32	81220	554545	1 1/8	1 5/16	3/32
81110	303347	7/16	5/8	3/32	80220	314491	1	1 1/8	1/16	81550	908194	4	4 3/16	3/32
82150	303360	1 1/16	1 5/16	1/8	81380	314728	2 1/8	2 5/16	3/32	81440	908383	2 1/2	2 11/16	3/32
80140	304174	1/2	5/8	1/16	80100	317178	1/4	3/8	1/16	81140	909047	5/8	13/16	3/32
82400	305123	3 3/4	4	1/8	45200	318372	8 mm	16 mm	4 mm	41120	909048	1/2	11/16	3/32
82080	305146	5/8	7/8	1/8	83250	318717	1 1/2	1 7/8	3/16	42140	909139	1	1 1/4	1/8
82030	305242	5/16	9/16	1/8	83200	319085	1 1/8	1 1/2	3/16	80230	909140	1 1/16	1 3/16	1/16
82230	305270	1 5/8	1 7/8	1/8	81330	319662	1 3/4	1 15/16	3/32	81280	909316	1 1/2	1 11/16	3/32
80100	305739	1/4	3/8	1/16	82130	320140	15/16	1 3/16	1/8	81090	909747	5/16	1/2	3/32
82310	307082	2 5/8	2 7/8	1/8	82320	320303	2 3/4	3	1/8	82520	910238	5 1/4	5 1/2	1/8
80130	307450	7/16	9/16	1/16	80080	321117	3/16	5/16	1/16	82250	910582	1 7/8	2 1/8	1/8
80090	307853	7/32	11/32	1/16	81250	322501	1 5/16	1 1/2	3/32	80100	911311	1/4	3/8	1/16
82350	308621	3 1/8	3 3/8	1/8	80090	322598	7/32	11/32	1/16	82380	911686	3 1/2	3 3/4	1/8
81290	308458	1 9/16	1 3/4	3/32	81140	326649	5/8	13/16	3/32	82430	911700	4 1/8	4 3/8	1/8
81190	308624	15/16	1 1/8	3/32	82460	326741	4 1/2	4 3/4	1/8	81210	911718	1 1/16	1 1/4	3/32
81270	308626	1 7/16	1 5/8	3/32	82440	326849	4 1/4	4 1/2	1/8	81230	911871	1 3/16	1 3/8	3/32
82280	308627	2 1/4	2 1/2	1/8	45230	326956	31/128	73/128	21/128	81180	3852565	7/8	1 1/16	3/32
81400	308876	2 1/4	2 7/16	3/32	81250	331188	1 5/16	1 1/2	3/32					

Table By Nominal Size

80080	321117	3/16	5/16	1/16	81170	301967	13/16	1	3/32	82140	302540	1	1 1/4	1/8
80090	307853	7/32	11/32	1/16	81180	3852565	7/8	1 1/16	3/32	82150	303360	1 1/16	1 5/16	1/8
80090	322598	7/32	11/32	1/16	81190	308624	15/16	1 1/8	3/32	82170	302493	1 3/16	1 7/16	1/8
80100	305739	1/4	3/8	1/16	81210	911718	1 1/16	1 1/4	3/32	82230	305270	1 5/8	1 7/8	1/8
80100	317178	1/4	3/8	1/16	81220	554545	1 1/8	1 5/16	3/32	82240	302588	1 3/4	2	1/8
80100	332583	1/4	3/8	1/16	81230	309731	1 3/16	1 3/8	3/32	82250	310327	1 7/8	2 1/8	1/8
80100	332584	1/4	3/8	1/16	81230	911871	1 3/16	1 3/8	3/32	82250	910582	1 7/8	2 1/8	1/8
80100	911311	1/4	3/8	1/16	81250	322501	1 5/16	1 1/2	3/32	82260	302337	2	2 1/4	1/8
80110	303191	5/16	7/16	1/16	81260	302537	1 3/8	1 9/16	3/32	82280	308627	2 1/4	2 1/2	1/8
80120	202893	3/8	1/2	1/16	81270	308626	1 7/16	1 5/8	3/32	82310	307082	2 5/8	2 7/8	1/8
80130	307450	7/16	9/16	1/16	81280	909316	1 1/2	1 11/16	3/32	82320	320303	2 3/4	3	1/8
80140	304174	1/2	5/8	1/16	81290	308458	1 9/16	1 3/4	3/32	82350	308621	3 1/8	3 3/8	1/8
80180	311338	3/4	7/8	1/16	81300	338522	1 5/8	1 13/16	3/32	82360	553126	3 1/4	3 1/2	1/8
80220	314491	1	1 1/8	1/16	81310	313340	1 11/16	1 7/8	3/32	82370	313446	3 3/8	3 5/8	1/8
80230	909140	1 1/16	1 3/16	1/16	81330	319662	1 3/4	1 15/16	3/32	82380	911686	3 1/2	3 3/4	1/8
41120	909048	1/2	11/16	3/32	81340	313754	1 7/8	2 1/16	3/32	82390	310414	3 5/8	3 7/8	1/8
81070	301824	7/32	13/32	3/32	81380	314728	2 1/8	2 5/16	3/32	82400	305123	3 3/4	4	1/8
81080	333572	1/4	7/16	3/32	81400	308876	2 1/4	2 7/16	3/32	82430	911700	4 1/8	4 3/8	1/8
81090	909747	5/16	1/2	3/32	81440	908383	2 1/2	2 11/16	3/32	82440	326849	4 1/4	4 1/2	1/8
81100	303067	3/8	9/16	3/32	81450	338518	2 9/16	2 3/4	3/32	82460	326741	4 1/2	4 3/4	1/8
81100	329381	3/8	9/16	3/32	81540	335523	3 3/4	3 15/16	3/32	82480	313175	4 3/4	5	1/8
81110	303347	7/16	5/8	3/32	81550	908194	4	4 3/16	3/32	82520	910238	5 1/4	5 1/2	1/8
81120	339543	1/2	11/16	3/32	42140	909139	1	1 1/4	1/8	45230	301877	31/128	73/128	21/128
81140	326649	5/8	13/16	3/32	82030	305242	5/16	9/16	1/8	45230	326956	31/128	73/128	21/128
81140	329380	5/8	13/16	3/32	82080	305146	5/8	7/8	1/8	83200	319085	1 1/8	1 1/2	3/16
81140	909047	5/8	13/16	3/32	82100	310584	3/4	1	1/8	83250	318717	1 1/2	1 7/8	3/16
81160	310585	3/4	15/16	3/32	82130	320140	15/16	1 3/16	1/8	45200	318372	8 mm	16 mm	4 mm
81160	310967	3/4	15/16	3/32	81250	331188	1 15/16	1 1/2	3/32					

* Quad Ring





Quality Replacement Parts for

Yamaha[®]

Gearcase Exploded Views	400-441	Pistons	454-456
Gearcase Seal Kits	442-444	Fuel System	457-458
Prop Hardware Kits	445	Powerhead Gaskets	459-460
Aluminum Anodes	446	Oil Seals Size Charts	461
Cooling System	447-453	Year/Model Index	462-470

TOC

Manifolds-Merc.

Manifolds-OMC

Manifolds-Volvo

Manifolds-Barr

MerCruiser

Merc / Mar / For

OMC / Volvo

Johnson / Evin

Yamaha

Index / X-Ref.

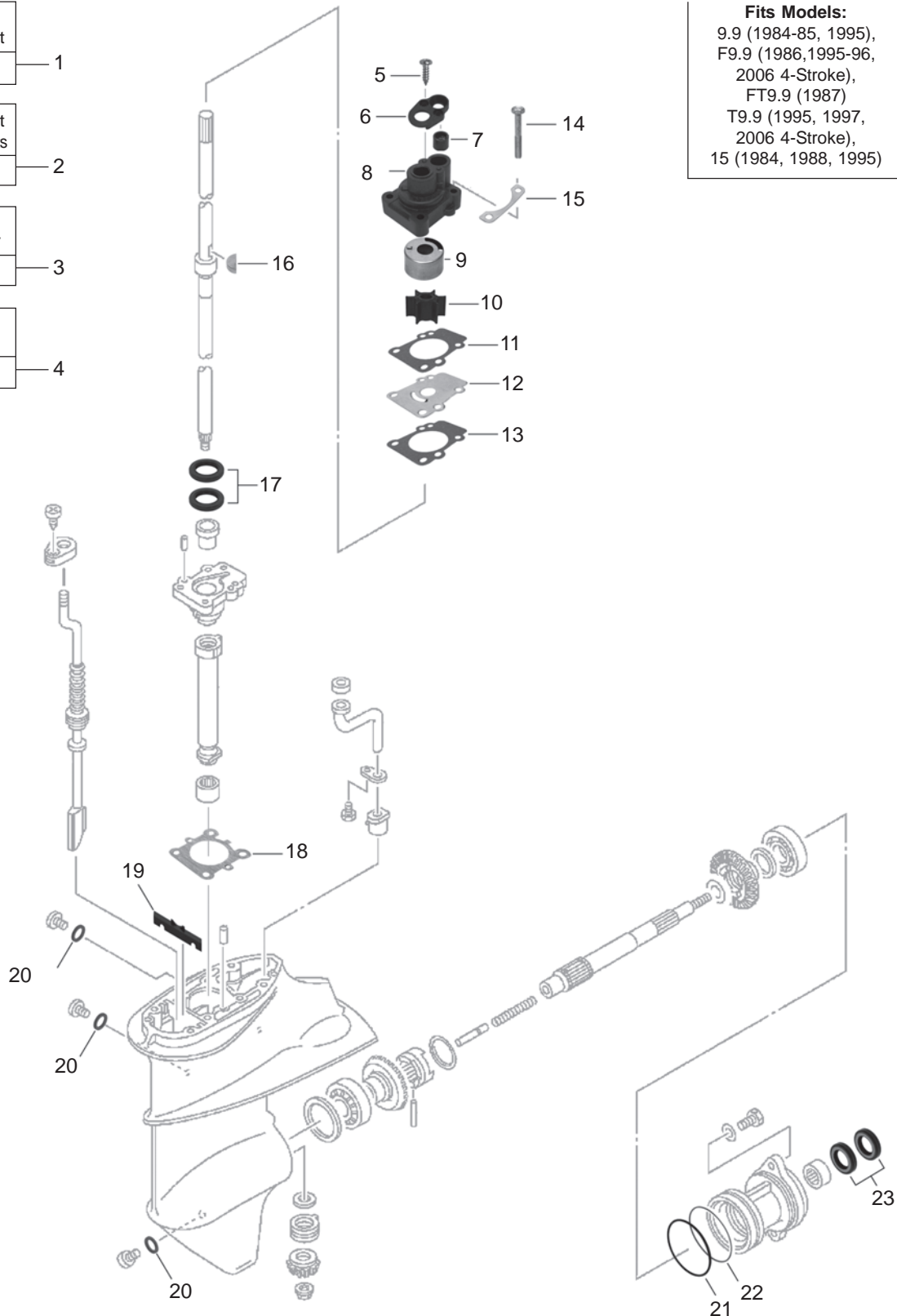
Warranty

GLM Products, Inc.

YAMAHA MODEL 9.9 & 15 HP (1984-2006)

- Complete Water Pump Kit
No. 12281 — 1
- Water Pump Kit w/o Hsg with Bolts
No. 12278 — 2
- Water Pump Hsg. Assembly
No. 12448 — 3
- Gearcase Seal Kit
No. 87843 — 4

Fits Models:
 9.9 (1984-85, 1995),
 F9.9 (1986, 1995-96,
 2006 4-Stroke),
 FT9.9 (1987)
 T9.9 (1995, 1997,
 2006 4-Stroke),
 15 (1984, 1988, 1995)

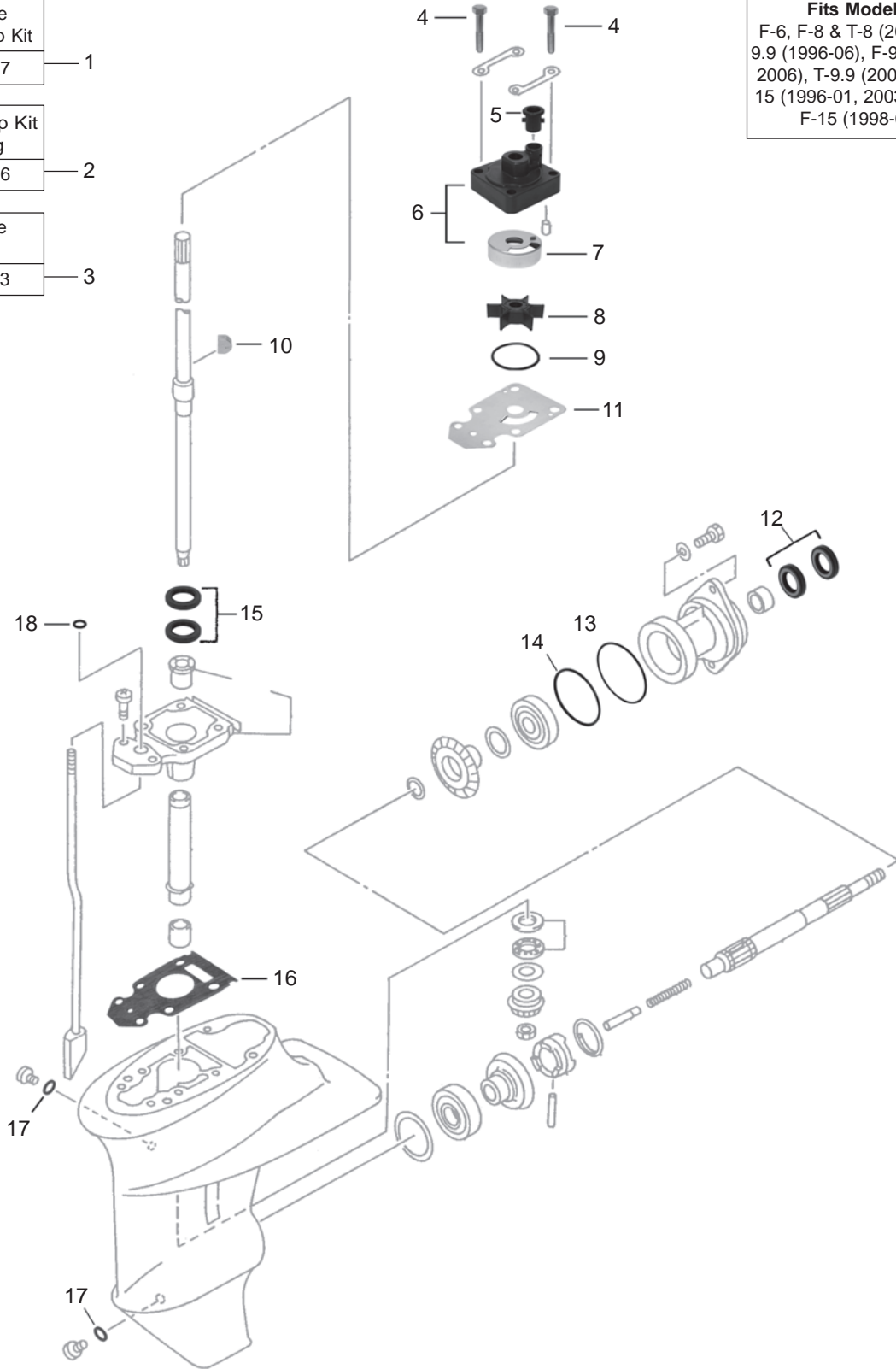


GLM Products, Inc.

YAMAHA MODEL 9.9 & 15 HP (1996-2006)

- Complete Water Pump Kit
No. 12087 — 1
- Water Pump Kit w/o Hsg
No. 12066 — 2
- Gearcase Seal Kit
No. 87843 — 3

Fits Models:
 F-6, F-8 & T-8 (2001-06),
 9.9 (1996-06), F-9.9 (2003,
 2006), T-9.9 (2003,2006),
 15 (1996-01, 2003, 2006),
 F-15 (1998-06)

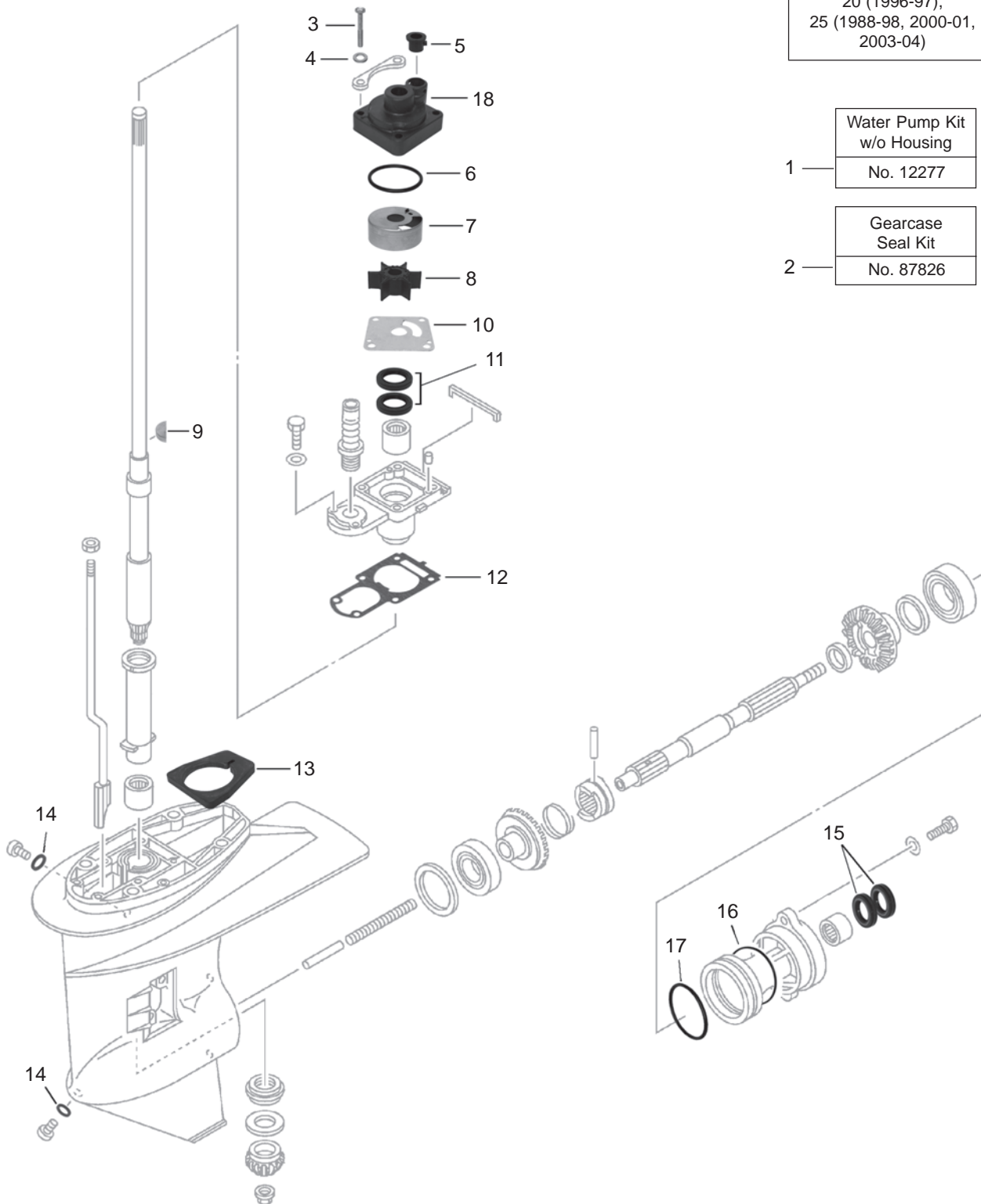


YAMAHA MODEL 20 & 25 HP - 2-CYL.

Fits Models:
 20 (1996-97),
 25 (1988-98, 2000-01,
 2003-04)

1 — Water Pump Kit
 w/o Housing
 No. 12277

2 — Gearcase
 Seal Kit
 No. 87826

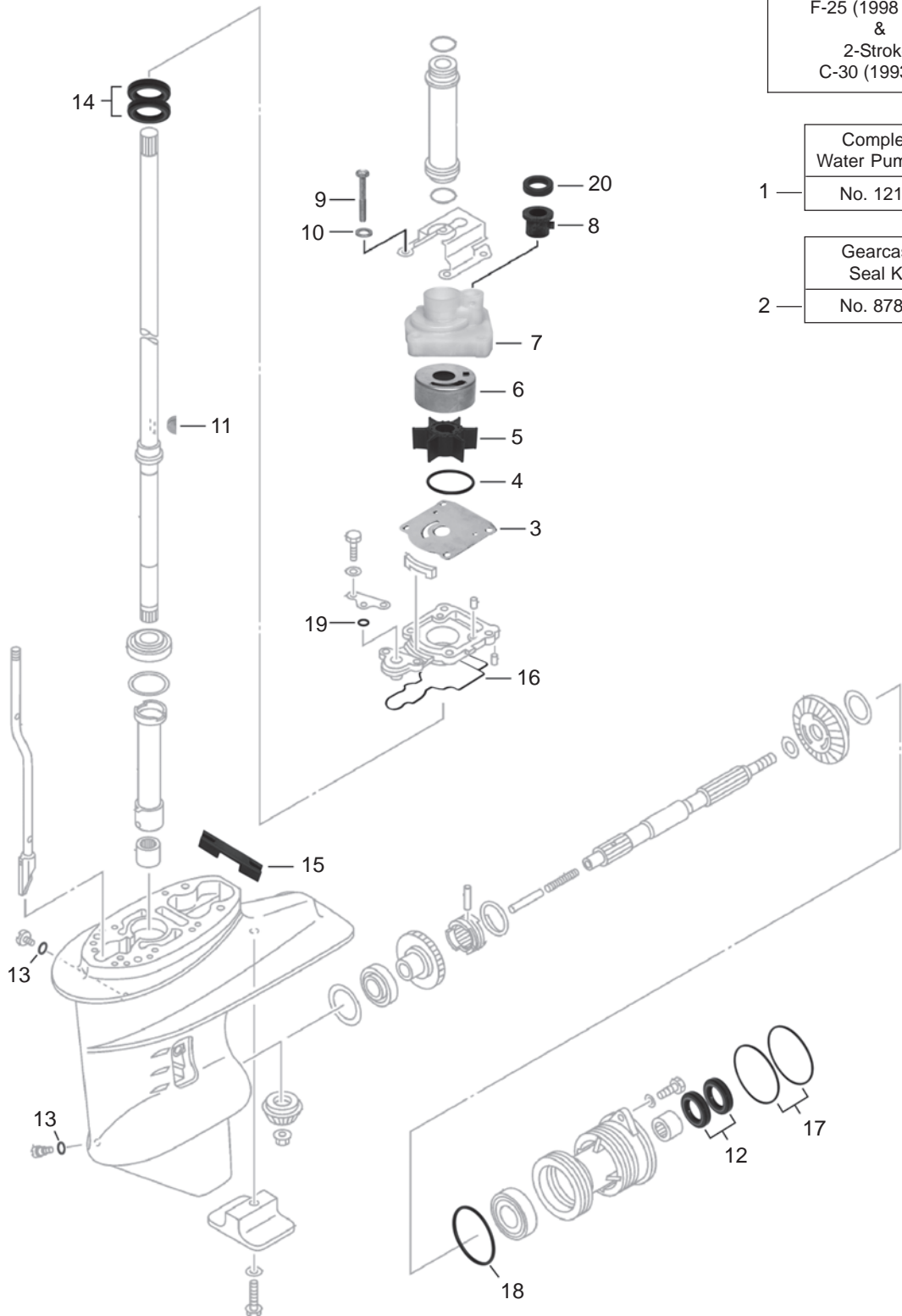


GLM Products, Inc.

YAMAHA MODEL F-25 & C-30 HP

Fits Models:
 4-Stroke:
 F-25 (1998 & Up)
 &
 2-Stroke:
 C-30 (1993-97)

- | | |
|---|--------------------------------------|
| 1 | Complete Water Pump Kit
No. 12127 |
| 2 | Gearcase Seal Kit
No. 87846 |



GLM Products, Inc.

YAMAHA MODEL 25, 30, 40 & 50 HP

Complete
Water Pump Kit

No. 12285

1

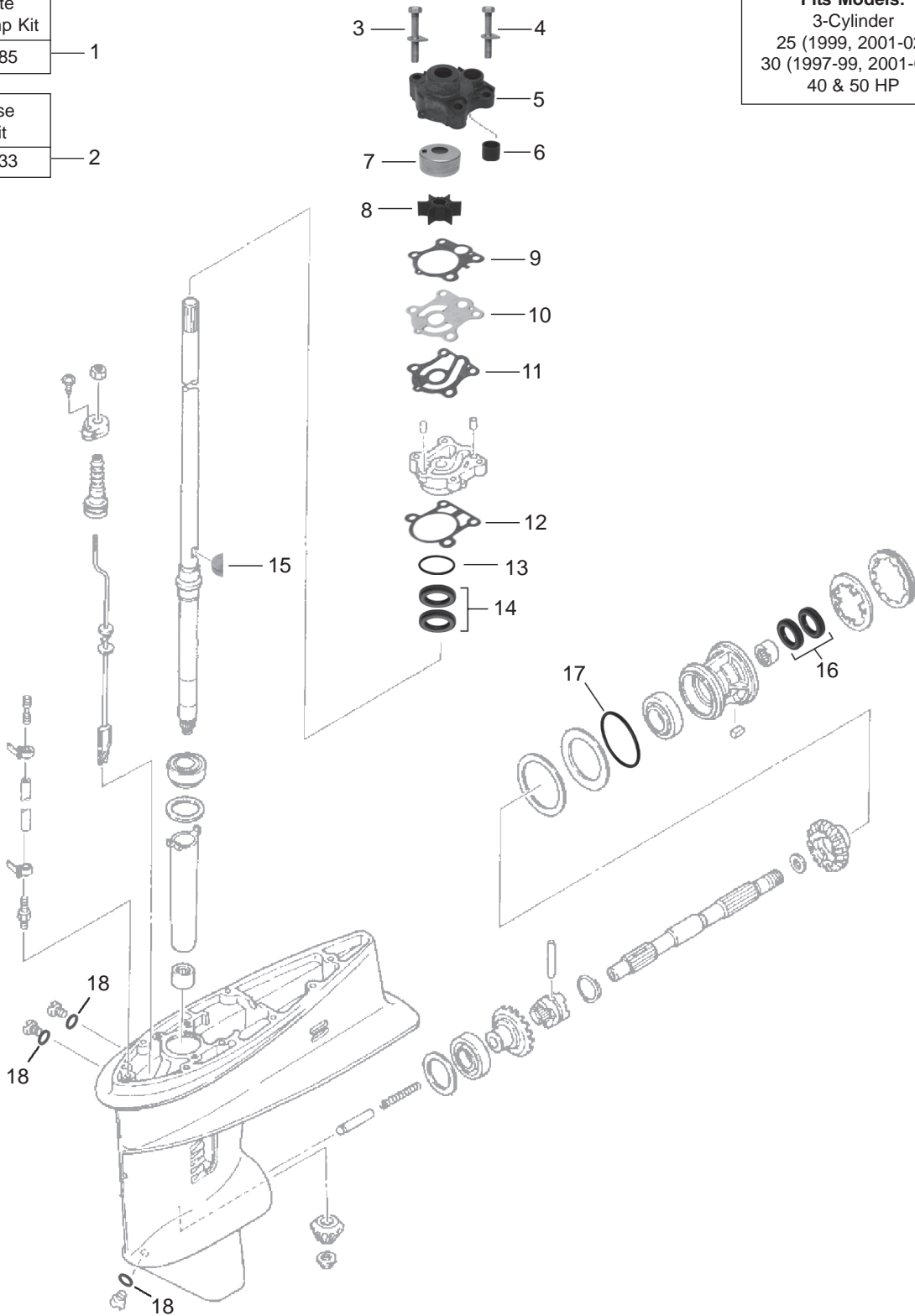
Gearcase
Seal Kit

No. 87833

2

Fits Models:

3-Cylinder
25 (1999, 2001-02)
30 (1997-99, 2001-02),
40 & 50 HP

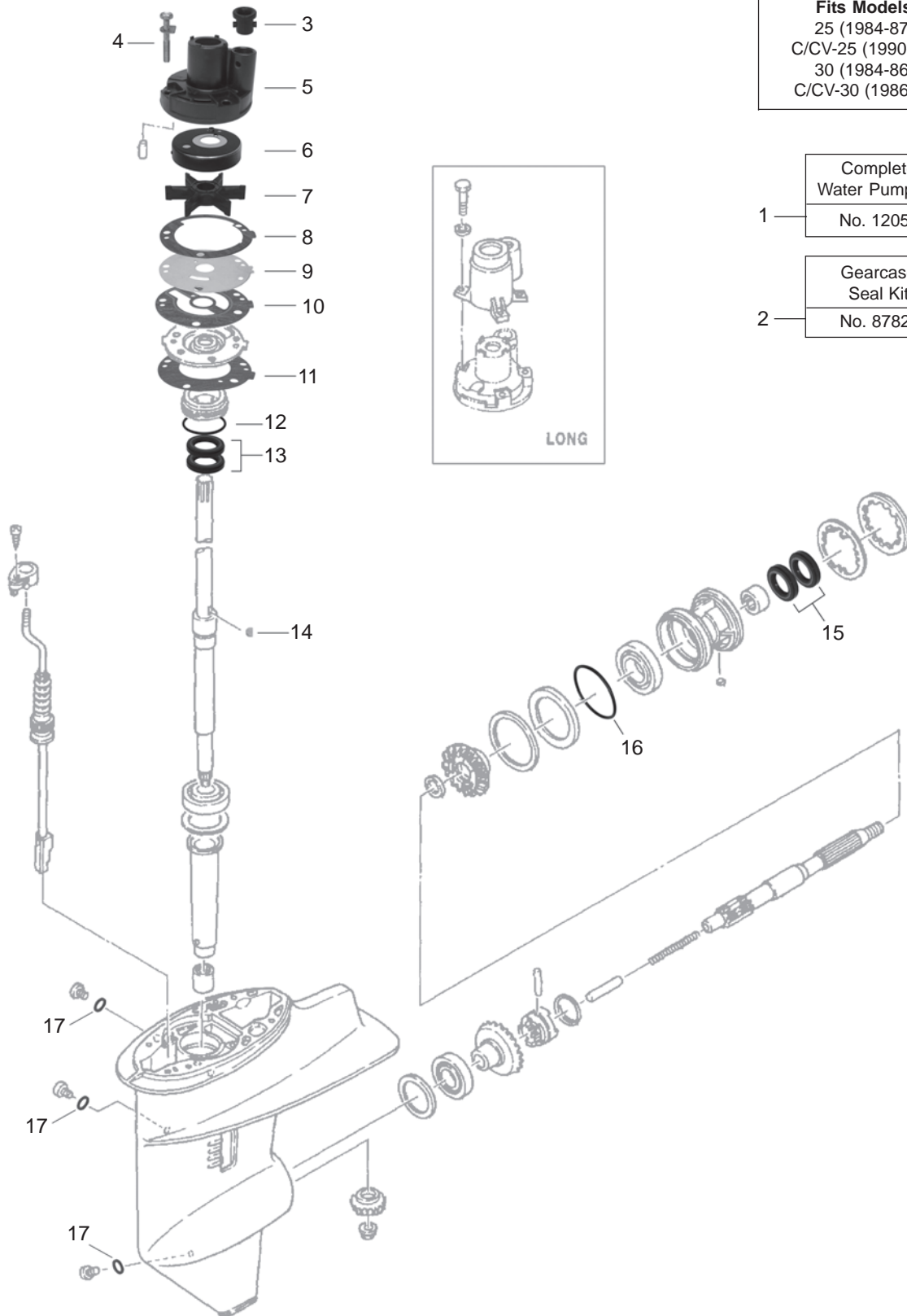


GLM Products, Inc.

YAMAHA MODEL C-25 & C-30 HP

Fits Models:
 25 (1984-87),
 C/CV-25 (1990-97),
 30 (1984-86),
 C/CV-30 (1986-92)

- | | |
|---|--------------------------------------|
| 1 | Complete Water Pump Kit
No. 12059 |
| 2 | Gearcase Seal Kit
No. 87827 |



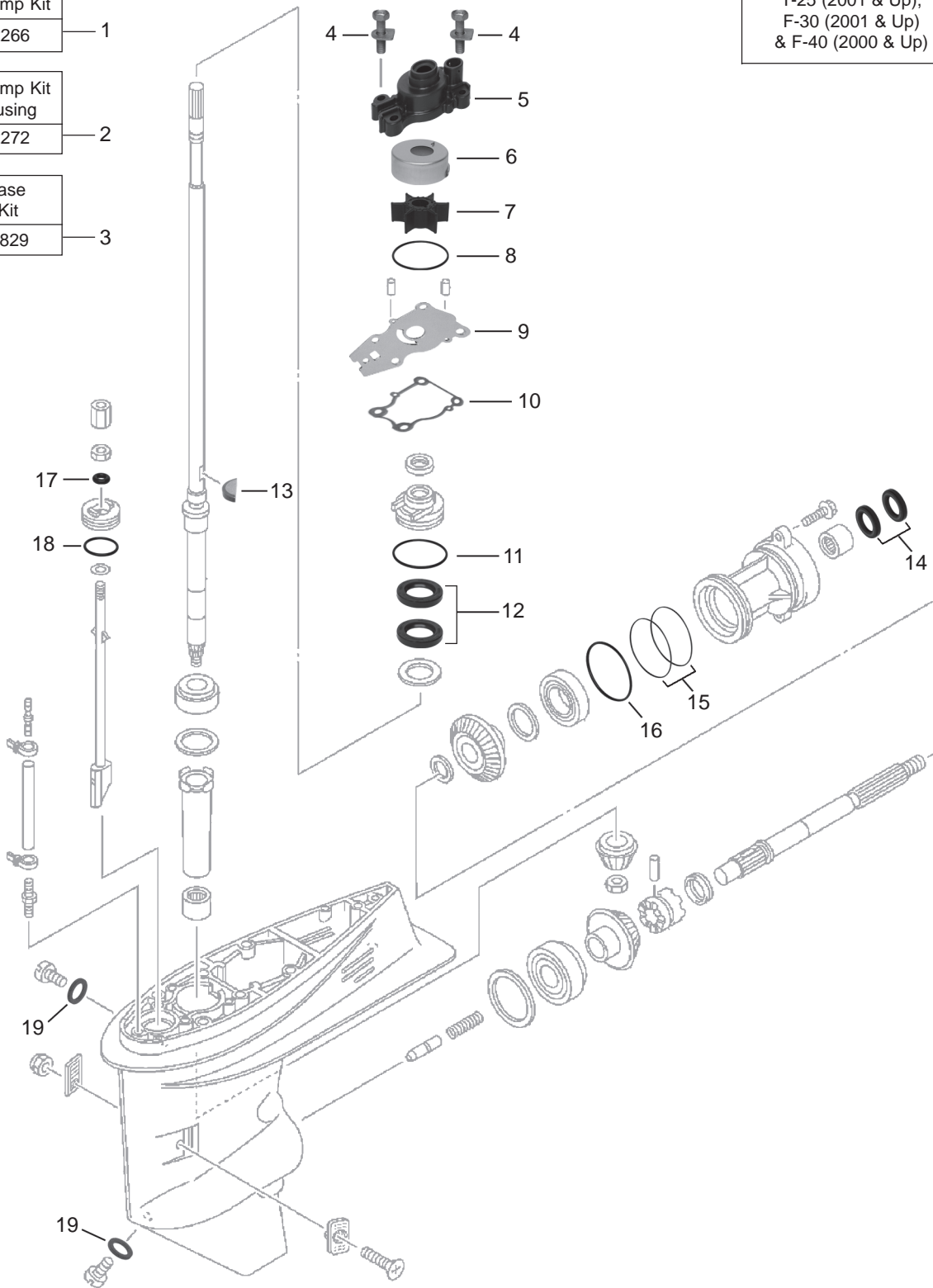
YAMAHA MODEL 25, 30 & 40 HP

Complete Water Pump Kit
No. 12266 — 1

Water Pump Kit w/o Housing
No. 12272 — 2

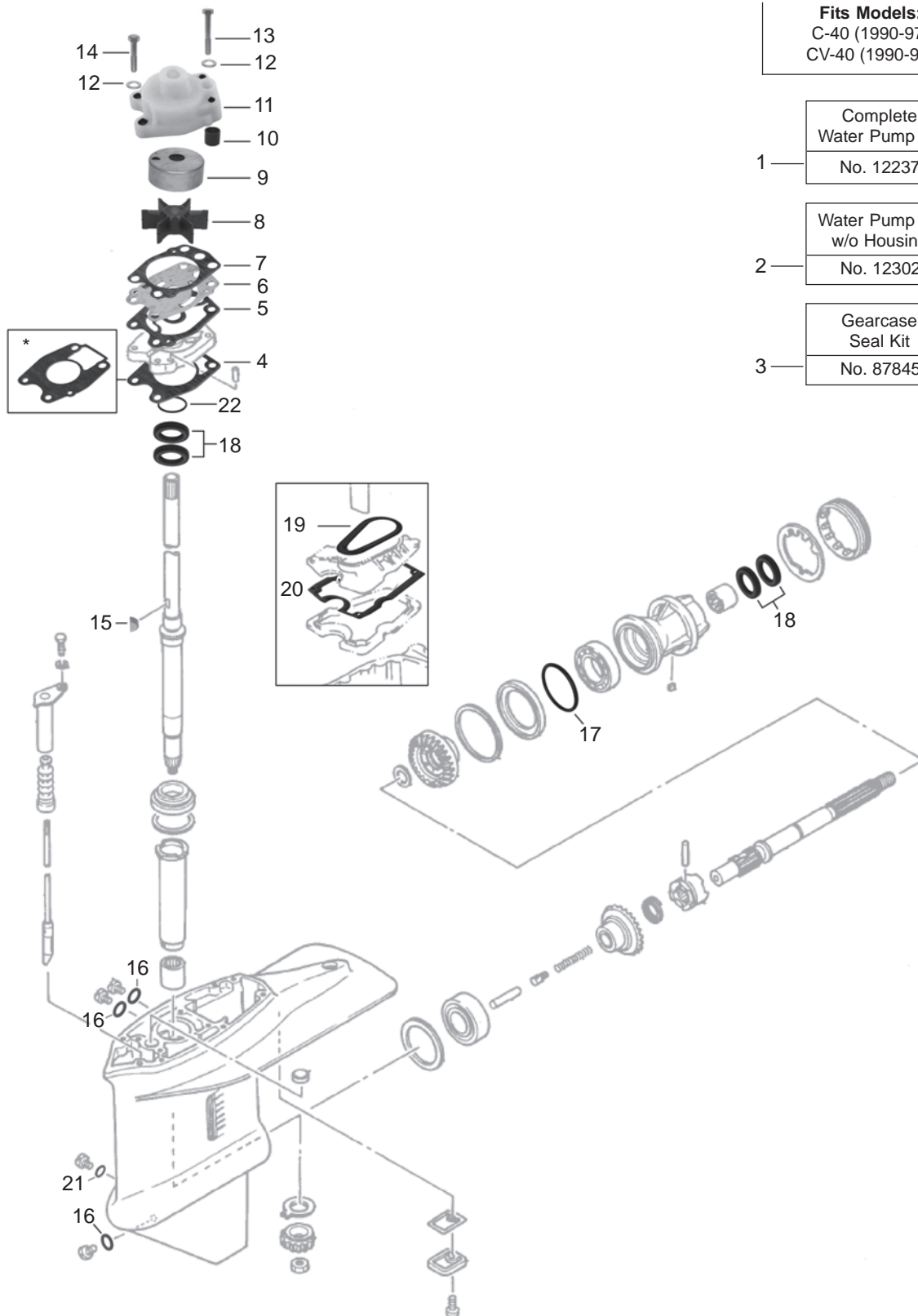
Gearcase Seal Kit
No. 87829 — 3

Fits Models:
T-25 (2001 & Up),
F-30 (2001 & Up)
& F-40 (2000 & Up)



GLM Products, Inc.

YAMAHA MODEL C/CV-40 HP



Fits Models:
C-40 (1990-97)
CV-40 (1990-97)

1 — Complete Water Pump Kit
No. 12237

2 — Water Pump Kit w/o Housing
No. 12302

3 — Gearcase Seal Kit
No. 87845

TOC

Manifolds-Merc.

Manifolds-OMC

Manifolds-Volvo

Manifolds-Barr

MerCruiser

Merc / Mar / For

OMC / Volvo

Johnson / Evin

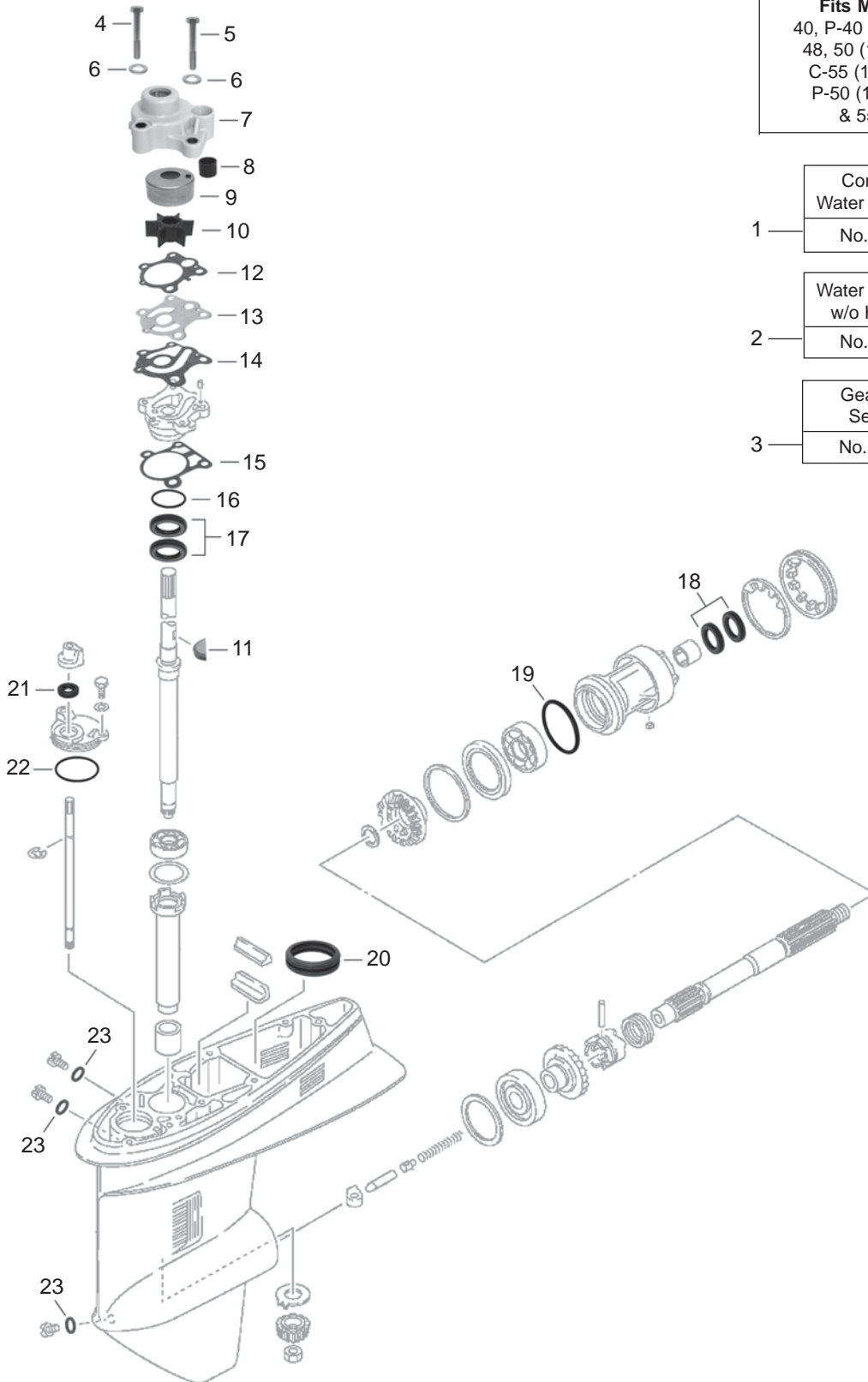
Yamaha

Index / X-Ref.

Warranty

GLM Products, Inc.

YAMAHA MODEL 40, 48, 50, P-50 & 55 HP



Fits Models:
 40, P-40 (1984-94),
 48, 50 (1984-94),
 C-55 (1989-95),
 P-50 (1987-94)
 & 55 HP

- 1 — Complete Water Pump Kit
No. 12287
- 2 — Water Pump Kit w/o Housing
No. 12064
- 3 — Gearcase Seal Kit
No. 87812

TOC

Manifolds-Merc.

Manifolds-OMC

Manifolds-Volvo

Manifolds-Barr

MerCruiser

Merc / Mar / For

OMC / Volvo

Johnson / Evin

Yamaha

Index / X-Ref.

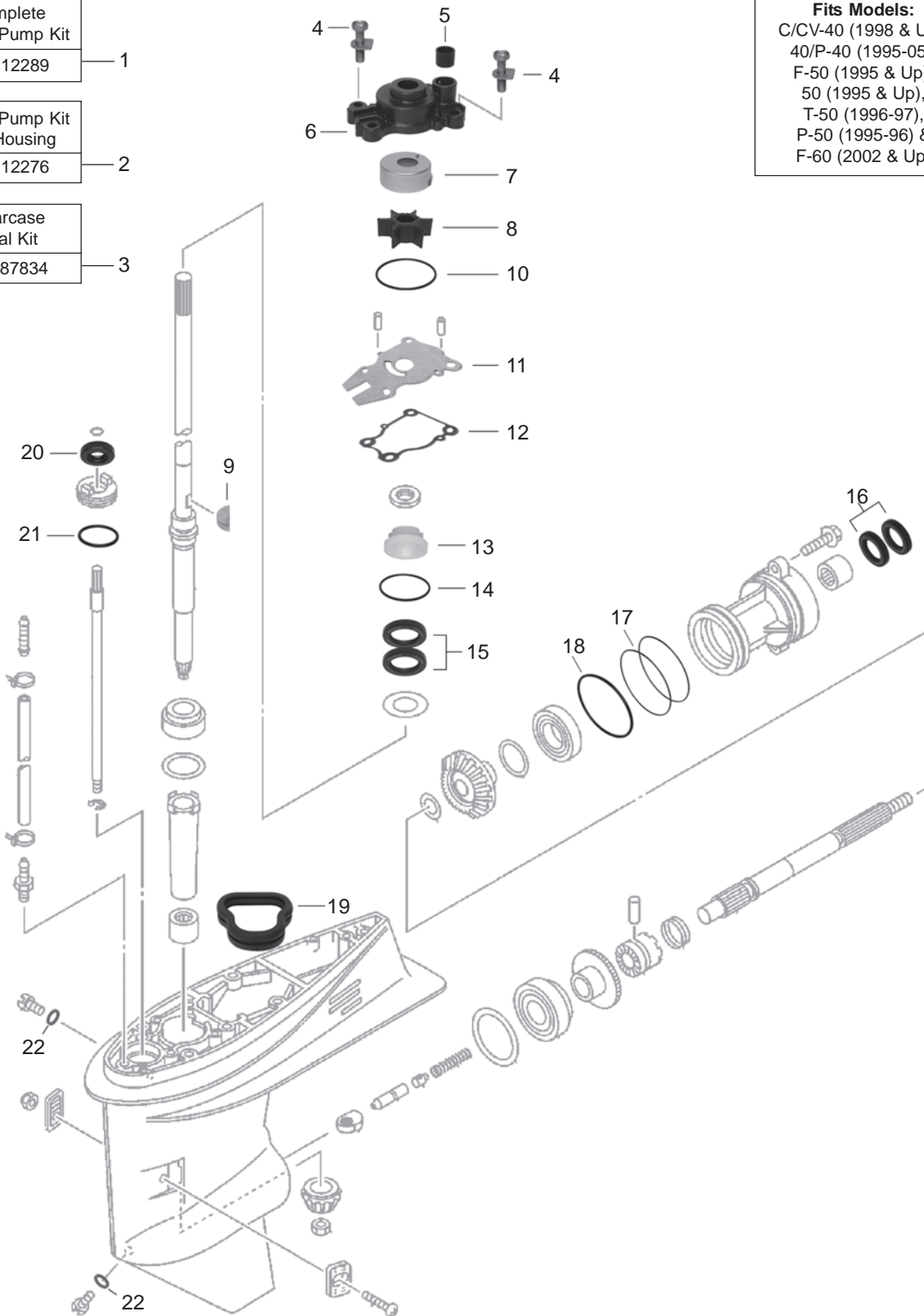
Warranty

GLM Products, Inc.

YAMAHA MODEL 40, 50 & 60 HP

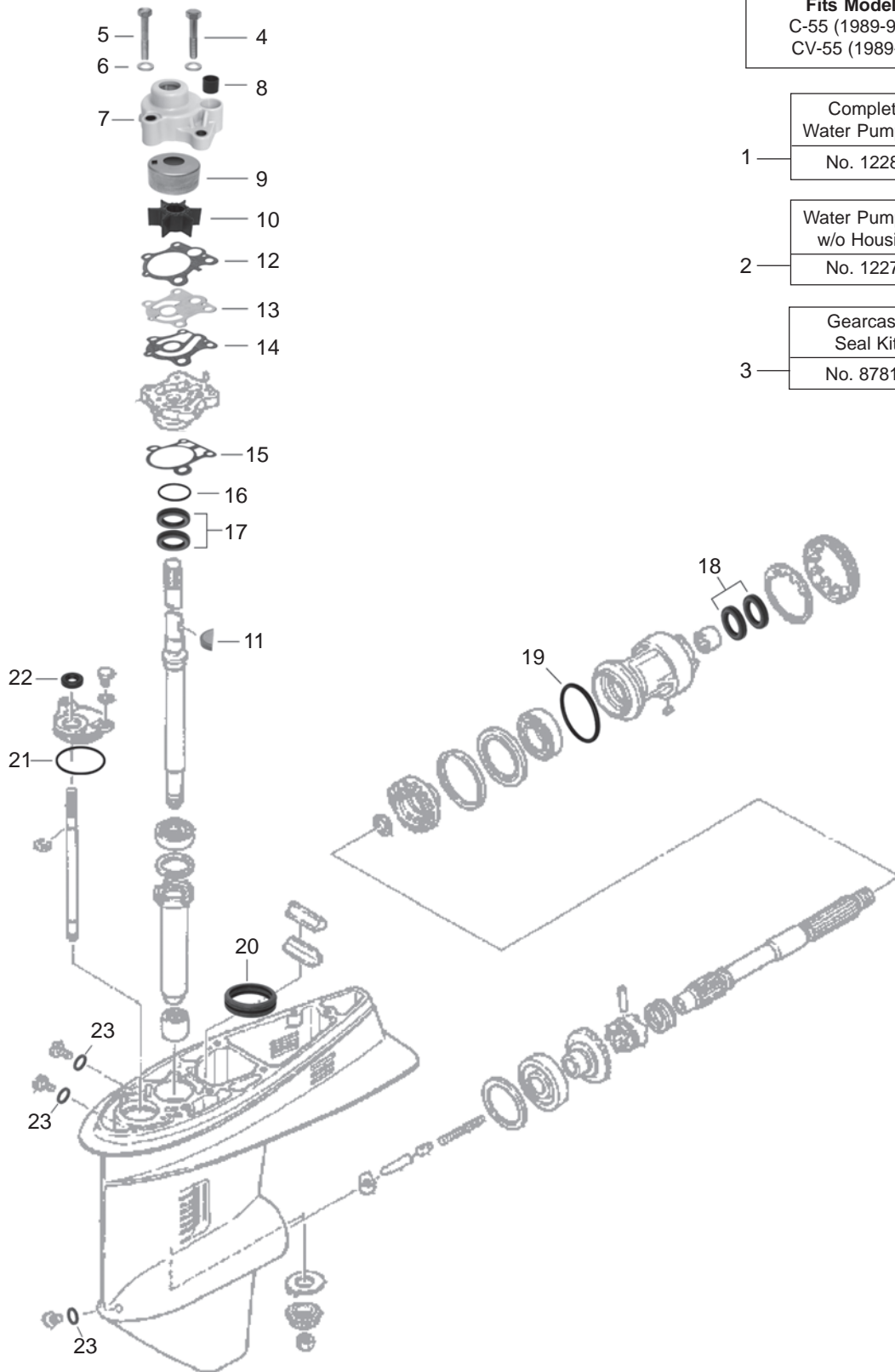
- Complete Water Pump Kit
No. 12289 — 1
- Water Pump Kit w/o Housing
No. 12276 — 2
- Gearcase Seal Kit
No. 87834 — 3

Fits Models:
 C/CV-40 (1998 & Up),
 40/P-40 (1995-05),
 F-50 (1995 & Up),
 50 (1995 & Up),
 T-50 (1996-97),
 P-50 (1995-96) &
 F-60 (2002 & Up)



GLM Products, Inc.

YAMAHA MODEL C/CV-55 HP



Fits Models:
C-55 (1989-95) &
CV-55 (1989-95)

- 1 Complete Water Pump Kit
No. 12288
- 2 Water Pump Kit w/o Housing
No. 12279
- 3 Gearcase Seal Kit
No. 87812

TOC

Manifolds-Merc.

Manifolds-OMC

Manifolds-Volvo

Manifolds-Barr

MerCruiser

Merc / Mar / For

OMC / Volvo

Johnson / Evin

Yamaha

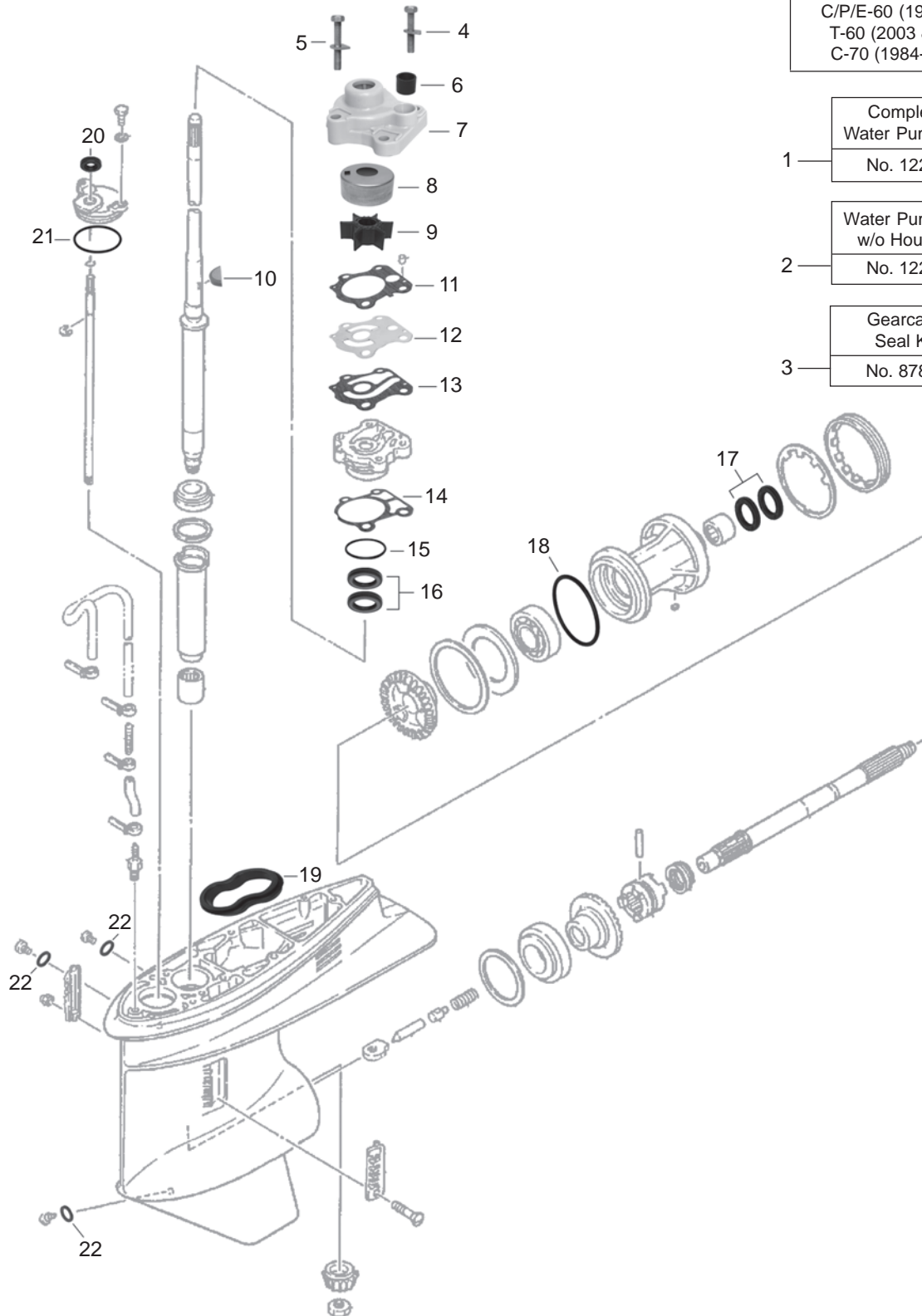
Index / X-Ref.

Warranty

GLM Products, Inc.

YAMAHA MODEL C/P/E/T-60 & C-70 HP

Fits Models:
 C/P/E-60 (1991-01),
 T-60 (2003 & Up),
 C-70 (1984-2003)



- | | |
|---|---|
| 1 | Complete Water Pump Kit
No. 12291 |
| 2 | Water Pump Kit w/o Housing
No. 12283 |
| 3 | Gearcase Seal Kit
No. 87836 |

GLM Products, Inc.

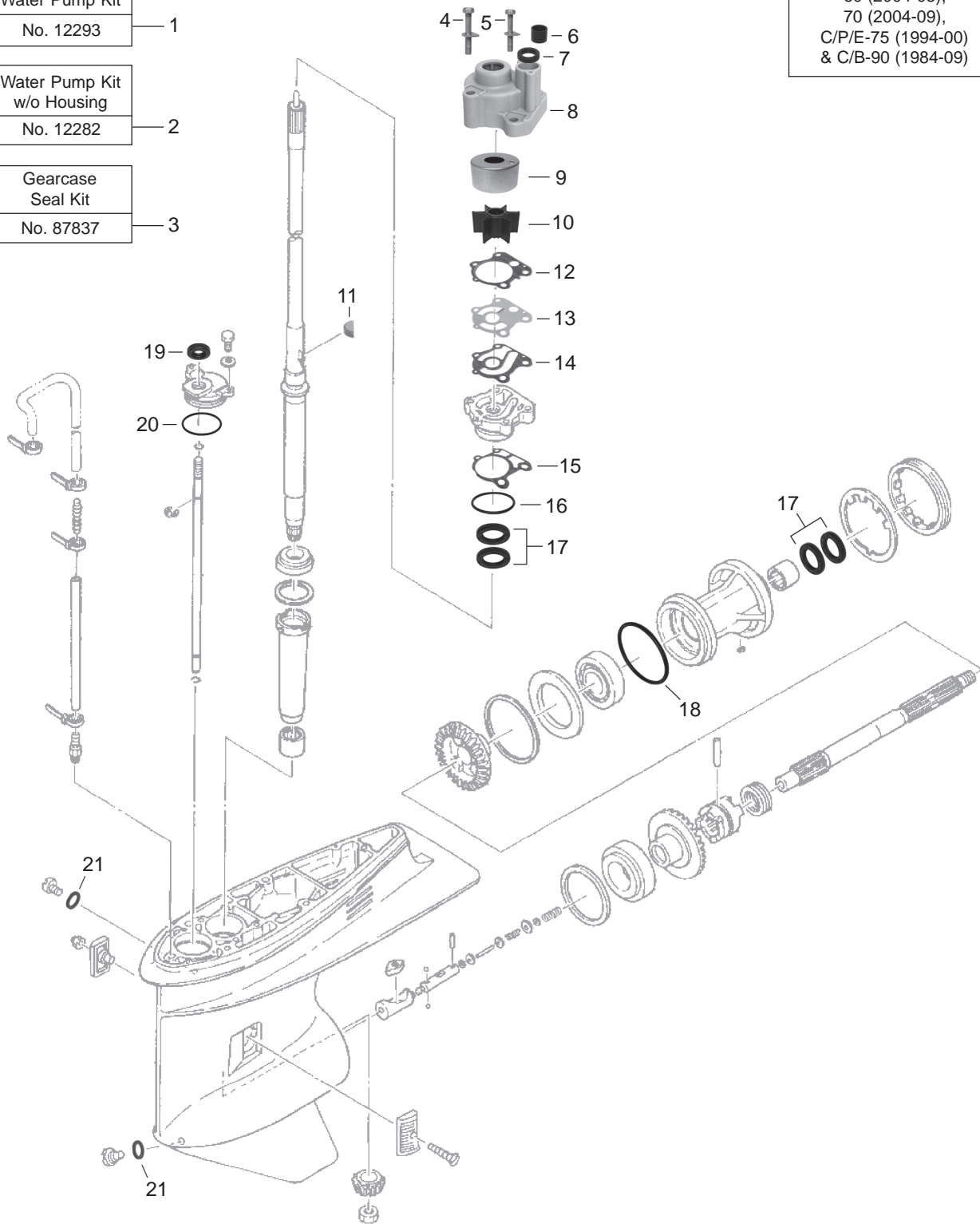
YAMAHA MODEL 60, 70, 75 & 90 HP

Complete Water Pump Kit
No. 12293 — 1

Water Pump Kit w/o Housing
No. 12282 — 2

Gearcase Seal Kit
No. 87837 — 3

Fits Models:
60 (2004-05),
70 (2004-09),
C/P/E-75 (1994-00)
& C/B-90 (1984-09)



GLM Products, Inc.

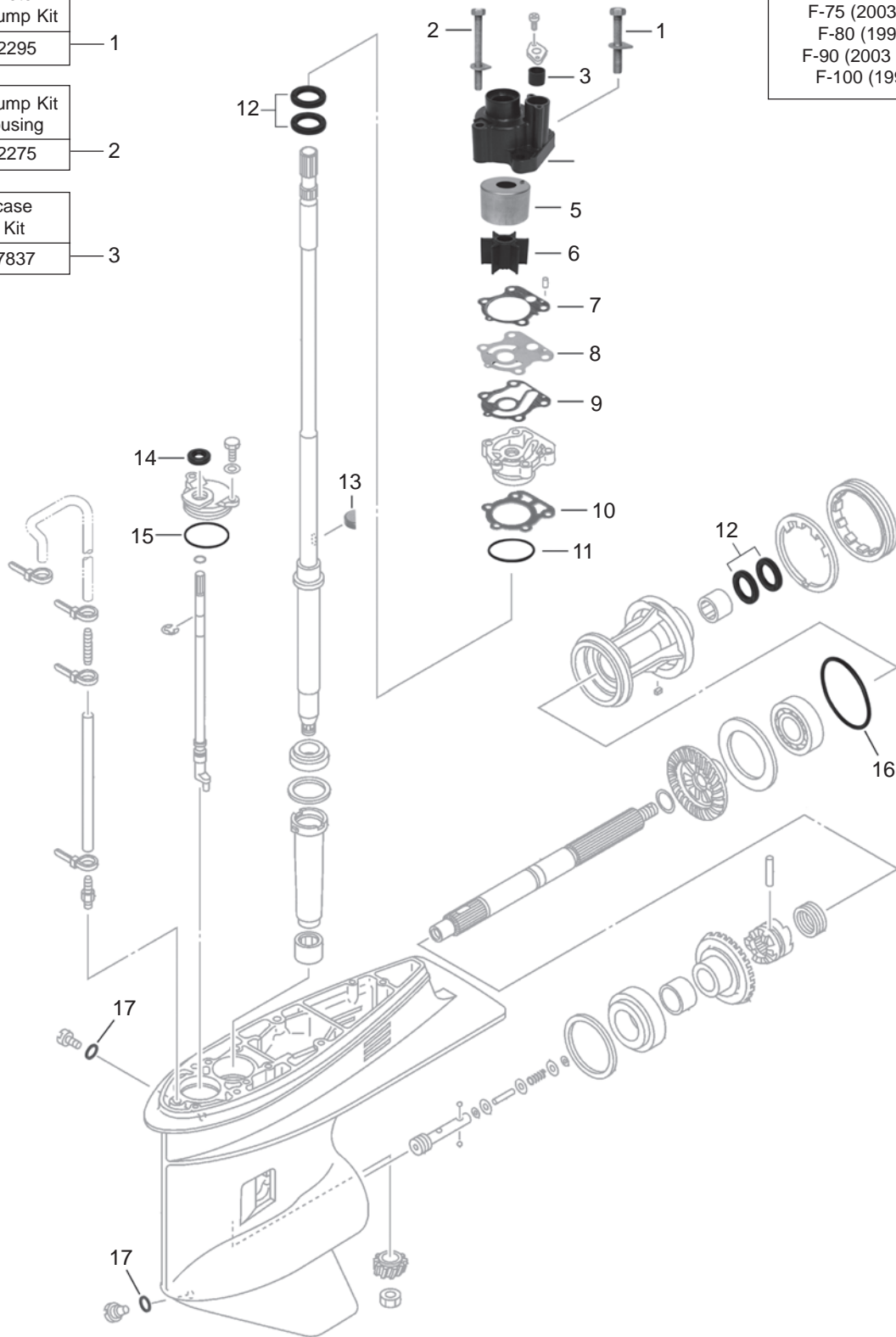
YAMAHA MODEL F-75, F-80, F-90 & F-100 HP

Complete Water Pump Kit
No. 12295 — 1

Water Pump Kit w/o Housing
No. 12275 — 2

Gearcase Seal Kit
No. 87837 — 3

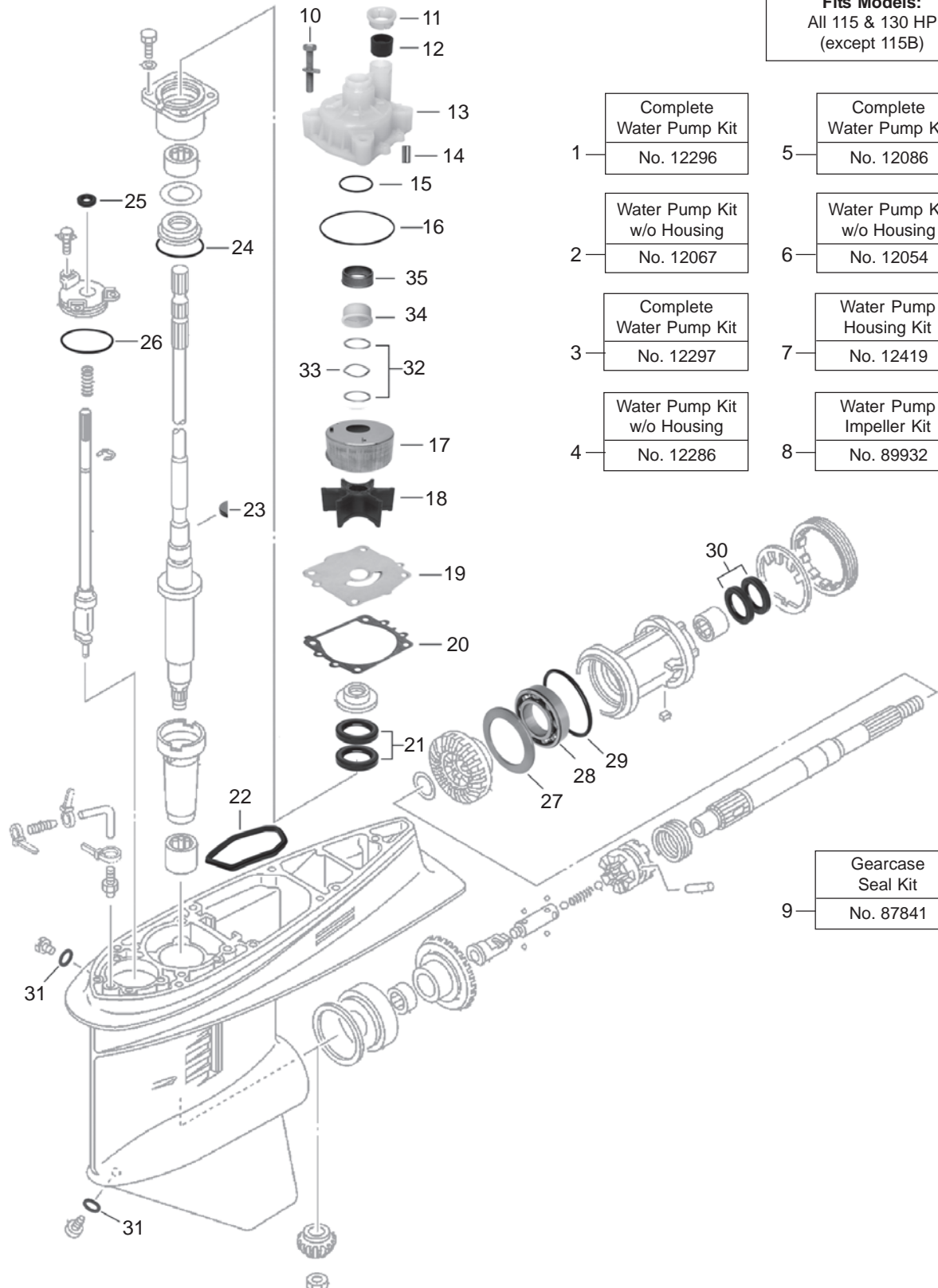
Fits Models:
F-75 (2003 & Up),
F-80 (1990-03),
F-90 (2003 & Up) &
F-100 (1999-03)



GLM Products, Inc.

YAMAHA MODEL 115 & 130 HP (All F, LF & C)

Fits Models:
All 115 & 130 HP
(except 115B)



- | | | | |
|---|---|---|---|
| 1 | Complete Water Pump Kit
No. 12296 | 5 | Complete Water Pump Kit
No. 12086 |
| 2 | Water Pump Kit w/o Housing
No. 12067 | 6 | Water Pump Kit w/o Housing
No. 12054 |
| 3 | Complete Water Pump Kit
No. 12297 | 7 | Water Pump Housing Kit
No. 12419 |
| 4 | Water Pump Kit w/o Housing
No. 12286 | 8 | Water Pump Impeller Kit
No. 89932 |

- | | |
|---|--------------------------------|
| 9 | Gearcase Seal Kit
No. 87841 |
|---|--------------------------------|

TOC
Manifolds-Merc.
Manifolds-OMC
Manifolds-Volvo
Manifolds-Barr
MerCruiser
Merc / Mar / For
OMC / Volvo
Johnson / Evin
Yamaha
Index / X-Ref.
Warranty

GLM Products, Inc.

YAMAHA MODEL 115 & 130 HP (All F, LF & C)

Ref No.	GLM No.	OEM No.	Description
1	12296	68V-W0078-00 + 61A-44311-00-00	Complete Water Pump Kit
2	12067	68V-W0078-00	Water Pump Kit w/o Housing
3	12297	6N6-W0078-02 + 61A-44311-00-00	Complete Water Pump Kit
4	12286	6N6-W0078-02	Water Pump Kit w/o Housing
5	12086	6E5-W0078-01 + 6E5-44311-00-00	Complete Water Pump Kit
6	12054	6E5-W0078-01	Water Pump Kit w/o Housing
7	12419	N/A	Water Pump Housing Kit
8	89932	N/A	Water Pump Impeller Kit
9	87841	6G5-W0001-C1	Gearcase Seal Kit
10◆+●-#	22504	90119-08M14	Bolt w/ Washer (4)
10a. !<	22502	97080-08045	Bolt (4)
10b. !<	22506	90209-08M02	Washer (4)
11 #	12839	6E5-44312-00-00	Cover, Water Pump Housing
12 #Λ	38300	6E5-44365-00-00	Damper
13◆●#	12074	61A-44311-01-00	Water Pump Housing (1993 & Up)
13!	12077	6E5-44311-00-00	Water Pump Housing (1984-1992)
14◆+●-!< #	12808	93606-12019	Pin, Dowell (2)
15◆+●-!< # *Λ	84300	93210-37M67	O-ring
16◆+●-!< # *Λ	84295	93210-86M38	O-ring
17◆+●- #	12870	61A-44322-02	Pump Cup
17!<	12871	6E5-44322-00	Pump Cup
18◆+●-!< # *	89930	6E5-44352-01-00	Impeller
19◆+	12518	68V-44323-00	Wear Plate
19●-!<	12522	6E5-44323-00	Wear Plate
20◆+●-!<Λ	38000	6E5-44315-A0	Gasket, Water Pump
21Λ	85222	93101-28M16	Seal, Drive Shaft
22Λ	38029	6E5-45123-00-00	Gasket, Muffler
23◆+●-!< # *	89588	90280-04002-00	Key, Woodruff
24Λ	84215	93210-54534-00	O-ring, Drive Shaft
25Λ	85223	93106-09014	Seal, Shift Shaft
26Λ	84240	93210-58677-00	O-ring, Shift Shaft
27	23140	6G5-45576-00-00	Thrust Washer
28	21620	93306-209U0-00	Ball Bearing
29Λ	84245	93210-97M55-00	O-ring, Prop Carrier
30Λ	85221	93101-30M17	Seal, Prop Shaft
31Λ	38015	90430-08020	Gasket, Drain Fill
32	21657	90201-22M01-00	Washer
33	21727	N/A	Spring Washer
34	22199	61A-45538-00-00	Spacer
35	11194	61A-45527-00-00	Collar
◆ Included in Kit No. 12296			
+ Included in Kit No. 12067			
● Included in Kit No. 12297			
- Included in Kit No. 12286			
! Included in Kit No. 12086			
< Included in Kit No. 12054			
# Included in Kit No. 12419			
* Included in Kit No. 89932			
Λ Included in Kit No. 87841			

YAMAHA MODEL 150, 175, 200, 220 HP (All Except VF-200 & VZ-200)

TOC

Manifolds-Merc.

Manifolds-OMC

Manifolds-Volvo

Manifolds-Barr

MerCruiser

Merc / Mar / For

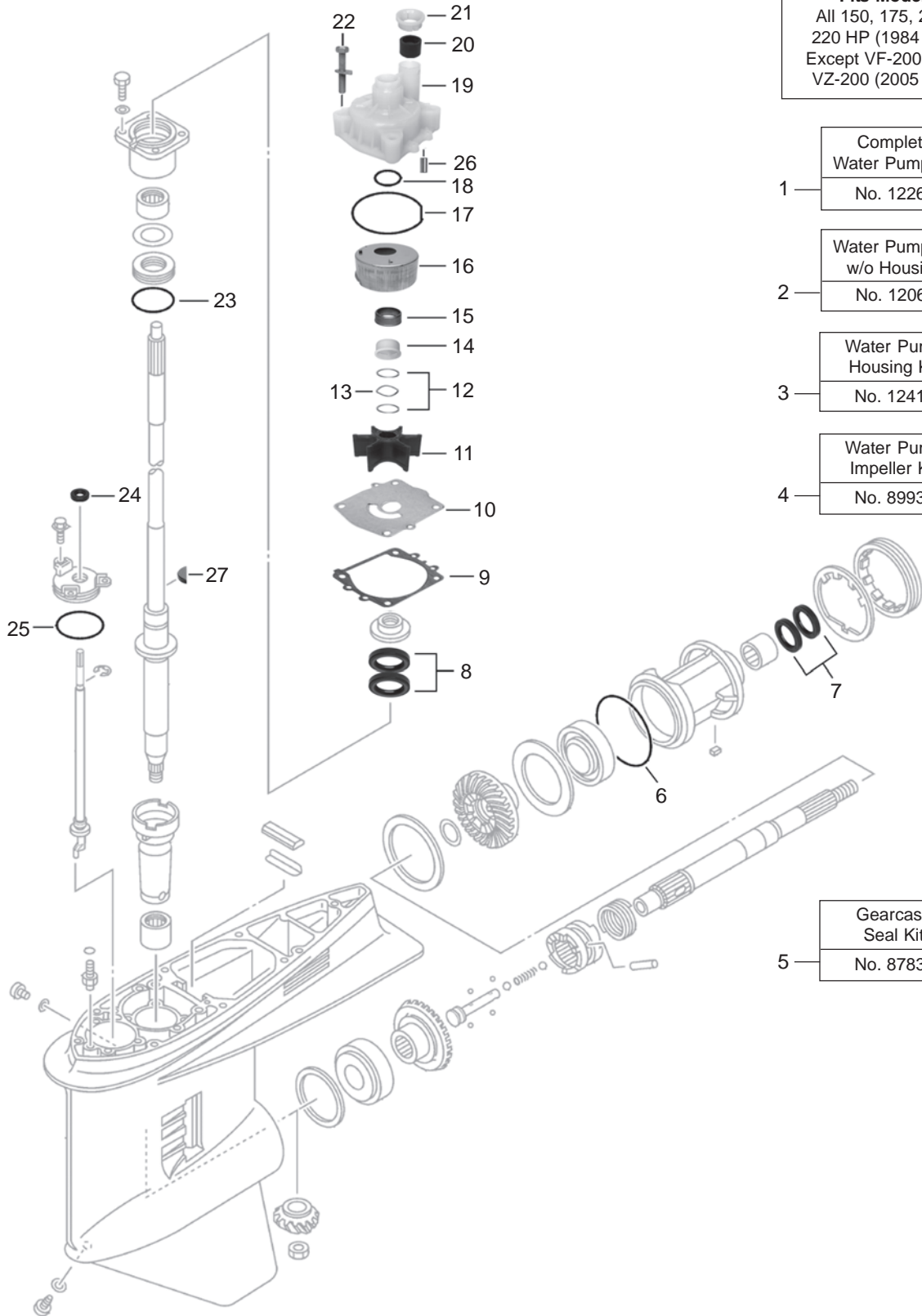
OMC / Volvo

Johnson / Evin

Yamaha

Index / X-Ref.

Warranty



Fits Models:
 All 150, 175, 200 &
 220 HP (1984 & Up)
 Except VF-200 (All) &
 VZ-200 (2005 & Up)

1 Complete
 Water Pump Kit
 No. 12262

2 Water Pump Kit
 w/o Housing
 No. 12069

3 Water Pump
 Housing Kit
 No. 12419

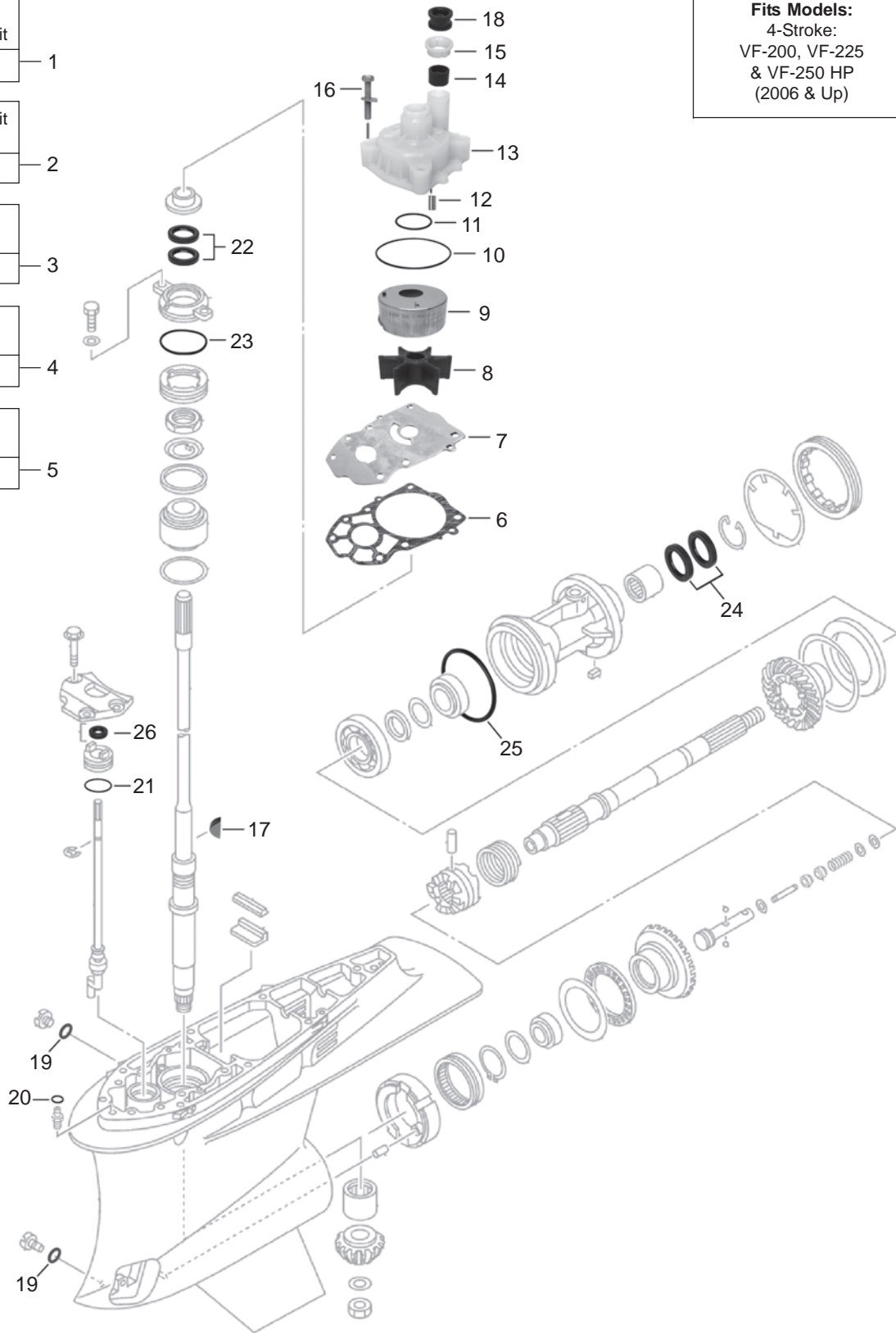
4 Water Pump
 Impeller Kit
 No. 89932

5 Gearcase
 Seal Kit
 No. 87838

YAMAHA MODEL VF-200 & VF-250 HP

- Complete Water Pump Kit
No. 12249 — 1
- Water Pump Kit w/o Housing
No. 12259 — 2
- Water Pump Housing Kit
No. 12419 — 3
- Water Pump Impeller Kit
No. 89932 — 4
- Gearcase Seal Kit
No. 87847 — 5

Fits Models:
4-Stroke:
VF-200, VF-225
& VF-250 HP
(2006 & Up)



TOC

Manifolds-Merc.

Manifolds-OMC

Manifolds-Volvo

Manifolds-Barr

MerCruiser

Merc / Mar / For

OMC / Volvo

Johnson / Evin

Yamaha

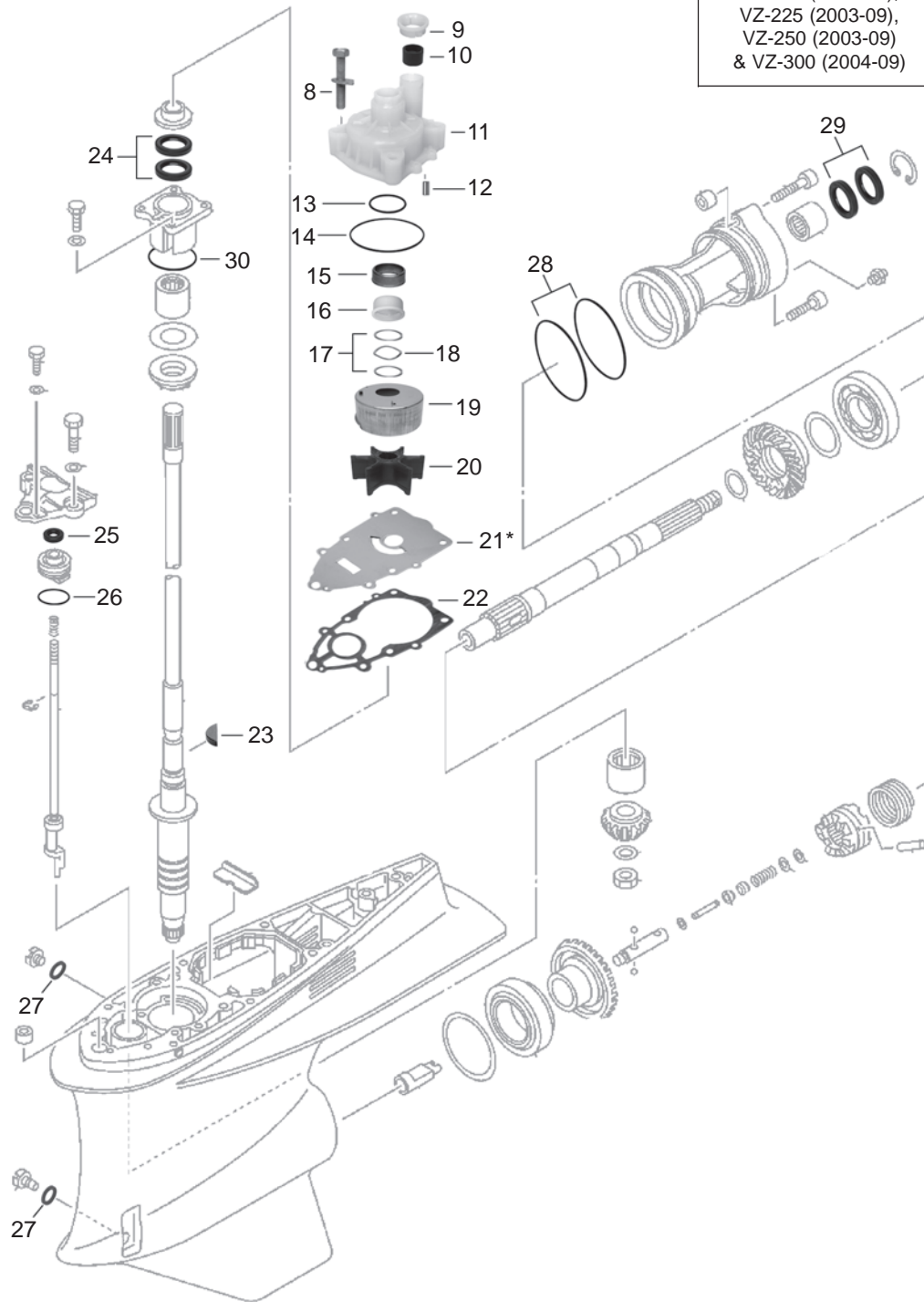
Index / X-Ref.

Warranty

YAMAHA MODEL VZ-200, 225, 250 & 300 HP

Fits Models:
 VZ-200 (2005-09),
 VZ-225 (2003-09),
 VZ-250 (2003-09)
 & VZ-300 (2004-09)

- Complete Water Pump Kit
No. 12261 — 1
- Complete Water Pump Kit
No. 12263 — 2
- Water Pump Kit w/o Housing
No. 12068 — 3
- Water Pump Kit w/o Housing
No. 12258 — 4
- Water Pump Housing Kit
No. 12419 — 5
- Water Pump Impeller Kit
No. 89932 — 6
- Gearcase Seal Kit
No. 87825 — 7



TOC

Manifolds-Merc.

Manifolds-OMC

Manifolds-Volvo

Manifolds-Barr

Merc/Cruiser

Merc / Mar / For

OMC / Volvo

Johnson / Evin

Yamaha

Index / X-Ref.

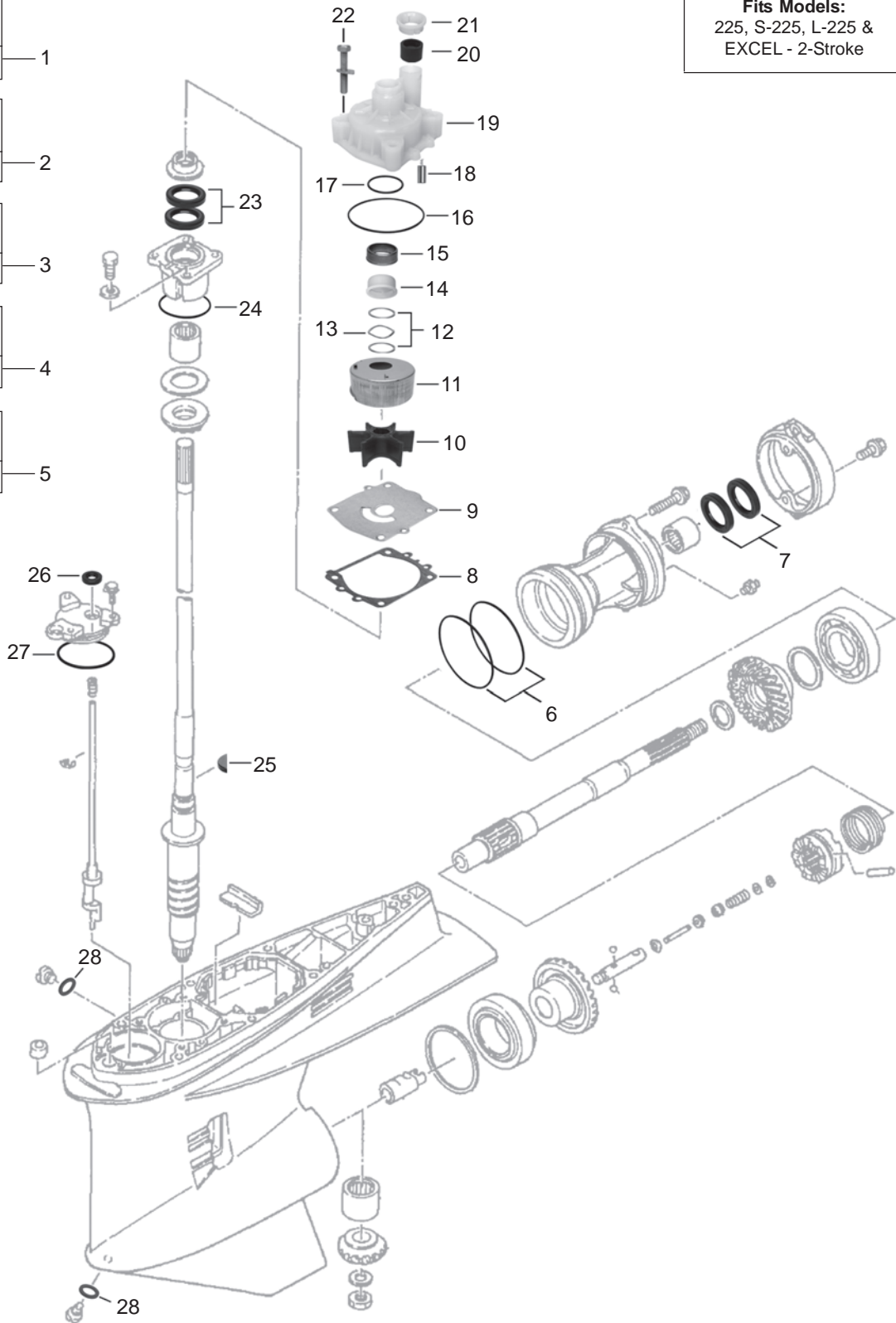
Warranty

GLM Products, Inc.

YAMAHA MODEL 220-225 HP

Fits Models:
225, S-225, L-225 &
EXCEL - 2-Stroke

- Complete Water Pump Kit
No. 12262 — 1
- Water Pump Kit w/o Housing
No. 12069 — 2
- Water Pump Housing Kit
No. 12419 — 3
- Water Pump Impeller Kit
No. 89932 — 4
- Gearcase Seal Kit
No. 87828 — 5



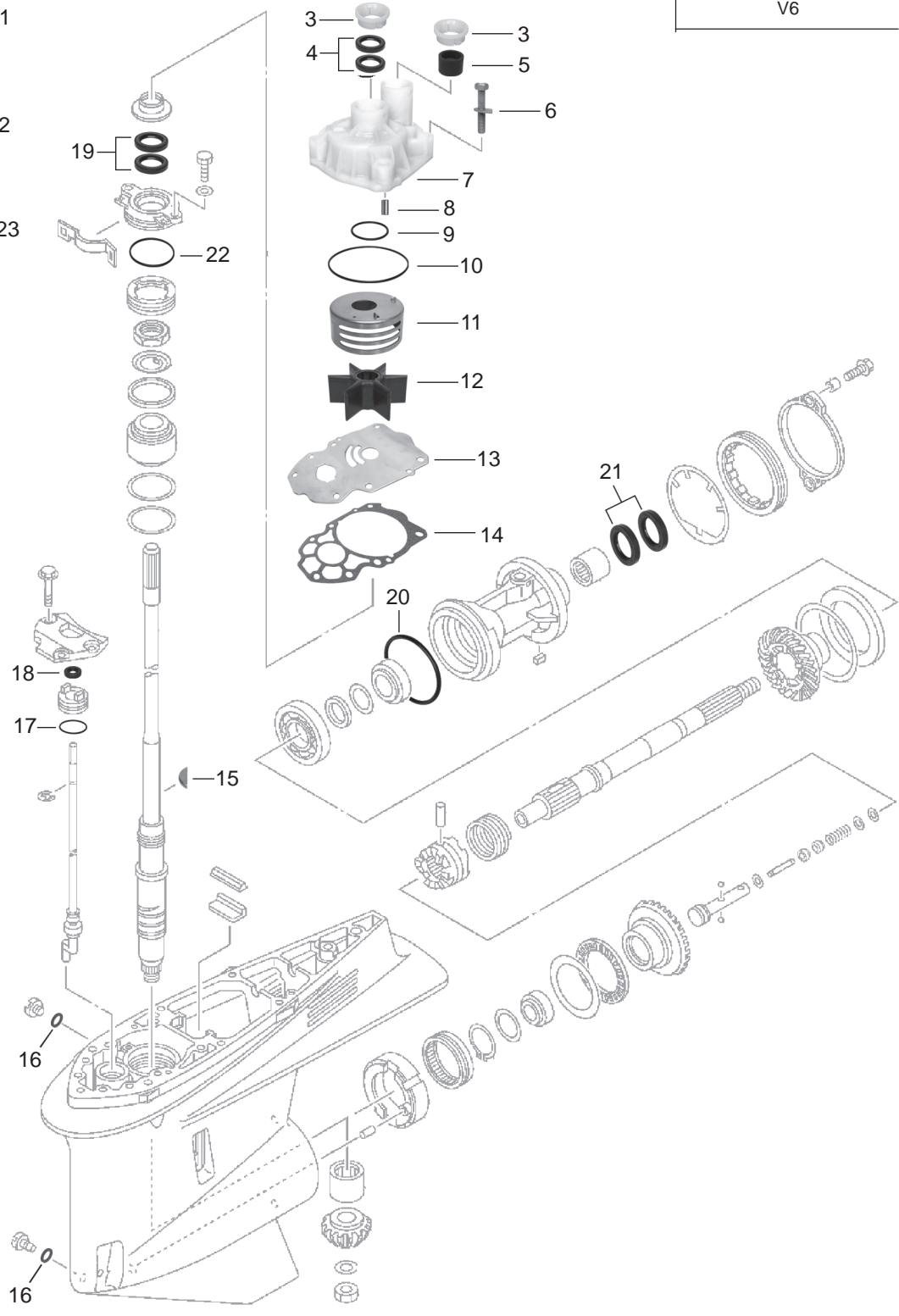
YAMAHA MODEL 225, 250, 300 HP - V6

Complete Water Pump Kit
No. 12265 — 1

Water Pump Kit w/o Housing
No. 12063 — 2

Gearcase Seal Kit
No. 87844 — 23

Fits Models:
225, 250 & 300 HP
V6



TOC

Manifolds-Merc.

Manifolds-OMC

Manifolds-Volvo

Manifolds-Barr

MerCruiser

Merc / Mar / For

OMC / Volvo

Johnson / Evin

Yamaha

Index / X-Ref.

Warranty

GLM Products, Inc.

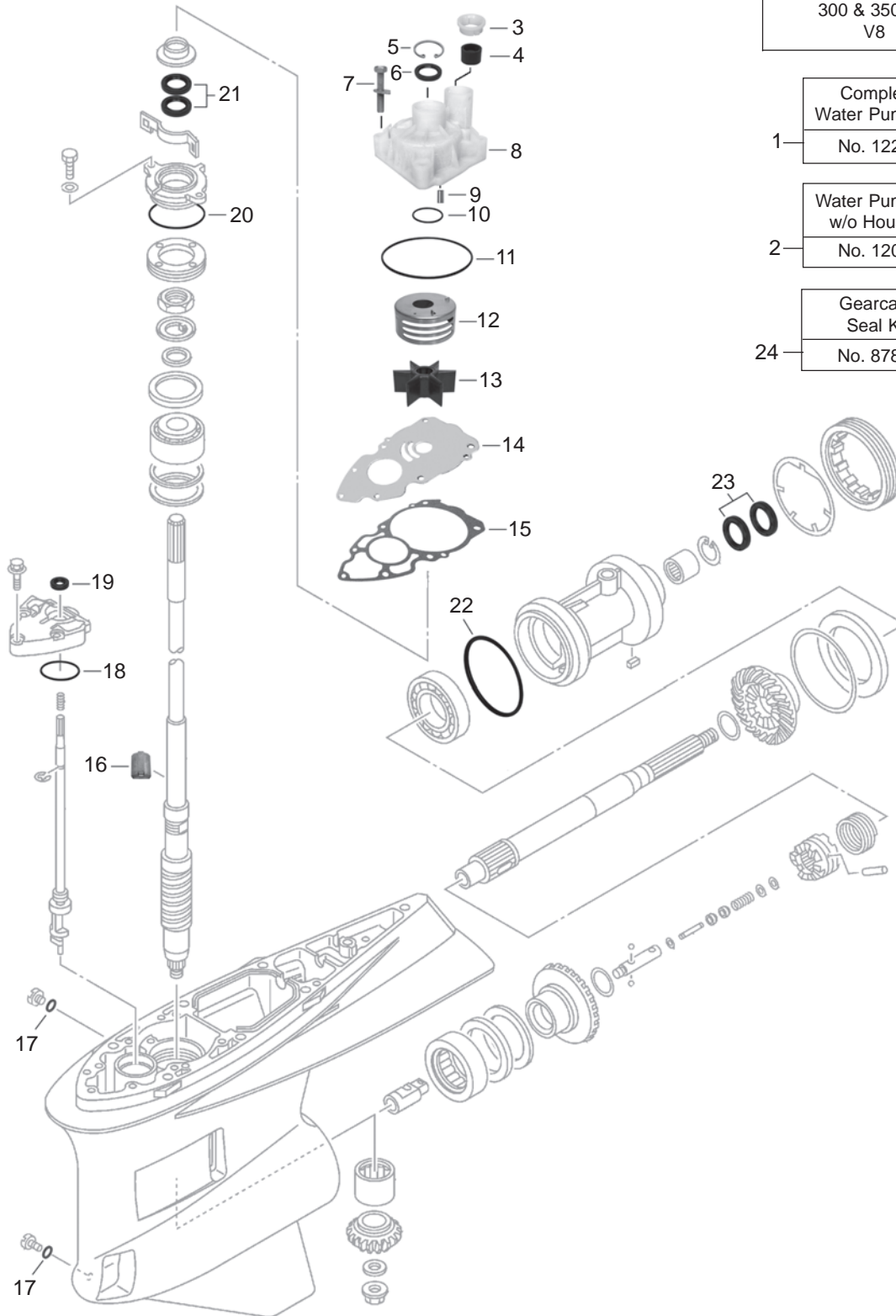
YAMAHA MODEL 300 & 350 HP - V8

Fits Models:
300 & 350 HP
V8

Complete
Water Pump Kit
1 No. 12248

Water Pump Kit
w/o Housing
2 No. 12089

Gearcase
Seal Kit
24 No. 87850



TOC

Manifolds-Merc.

Manifolds-OMC

Manifolds-Volvo

Manifolds-Barr

MerCruiser

Merc / Mar / For

OMC / Volvo

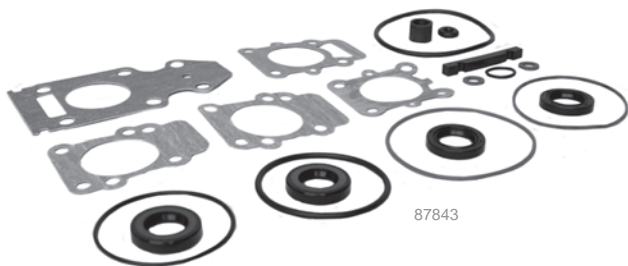
Johnson / Evin

Yamaha

Index / X-Ref.

Warranty

**Gearcase Seal Kits
Yamaha**



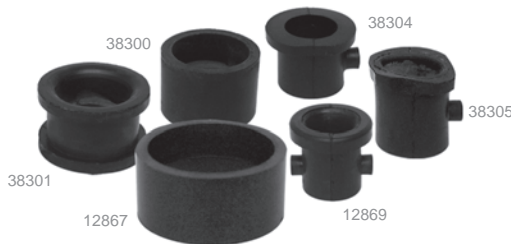
9.9 thru 90 HP		
87843	OEM: N/A	All 9.9 & 15HP, 2 & 4-stroke GLM Original Design!
87826	OEM: 6L2-W0001-C3	20HP (1996-97), 25HP (1988-98, 2000, 2002-05) GLM Original Design!
87827	OEM: 689-W0001-C2 & OEM: 689-W0001-23	C-30HP (1991-92), CV-25HP (1990), CV-30 HP (1989-90) C-25HP (1991-97) GLM Original Design!
87846	OEM: 65W-W0001-20	F-25HP (1998 & Up) 4-Stroke, C-30HP (1993-97) 2-Stroke
87829	OEM: 67C-W0001-22	F-30HP (2002-05), F-40HP (2000-05), T-25 HP (2001-05)
87833	OEM: 6J8-W0001-C2	F-25HP (1999-01), 30HP (1987, 1989-93, 1996-99, 2001-02)
87845	OEM: 6A0-W0001-22	C-40HP (1990-97) CV-40HP (1993-97)
87812	OEM: 698-W0001-21 & OEM: 698-W0001-C0	C-55HP (1991-95), E-48HP (1995, 1997-00) CV-55HP (1989)
87834	OEM: 63D-W0001-20	C-40HP (1998-02), C-50HP (1998-01), P-40HP (1998), P-50HP (1991-96), 40HP (1984-85) & 50HP (1986-05)
87836	OEM: 6H3-W0001-22 & OEM: 6H2-W0001-20	C-60HP (1996-01), C-70 HP (2000-01), E-60HP (1995-00), P-60HP (1991-99), 60HP (2001-05) & 70HP (1984-05)
87837	OEM: 688-W0001-C0 & OEM: 688-W0001-22	CV-85HP (1989-90) B-90HP (1998-99), C-75HP (1994-98), C-80HP (1997), C-85HP (1991-96), C-90HP (1997-01), E-75HP (1995-00), P-75HP (1996-99), 90HP (1984-05)

V4 - 115-130 HP		
87838	OEM: 6F5-W0001-C1	115-130 HP, V4
200-300 HP (LZ, Z & VZ)		
87825	OEM: 6D0-W0001-21	200-300 HP, (LZ, Z & VZ)
150, 175, 200, 220, VF200-VF250 HP		
87841	OEM: 6G5-W0001-C1	150, 175, 200 & 220 HP, (except VF-200 & VZ-200, 2005 & Up)
87847	OEM: 6CB-W0001-20	VF-200, VF-225 & VF-250 HP (2006 & Up)

**Gearcase Seal Kits continued...
Yamaha**

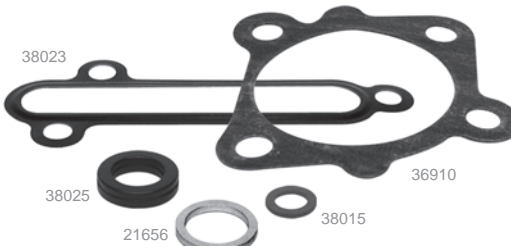
V6 - 225-300 HP		
87844	OEM: 6CE-W0001-20	225, 250 & 300 HP
87828	OEM: 65L-W0001-C0	L-225 (1994-99), L-250 (1990-99), LX-225 & LX-250 (2000-03), 225 (1994-96), S-225 (1996-99), 250 (1990-92, 94-95), S-250 (1996-99), SX-225 & SX-250 HP (2000-03)
V8 - 300-350 HP		
87850	OEM: 6AW-W0001-21	300 & 350 HP

**Gearcase Seal Kit Components - Yamaha
Damper Water Seals & Grommets**



12867	OEM: 6AW-44365-00	Damper, Water Seal
85624	OEM: 6E5-44366-00	Damper, Water Seal
85622	OEM: 682-45375-01	Damper, Water Seal
12869	OEM: 626-44365-01	Damper, Water Seal
12877	OEM: 682-44365-01	Grommet, Water Tube
12875	OEM: 663-44366-00	Damper, Water Seal
38300	OEM: 6E5-44365-00	Damper, Water Seal
38301	OEM: 6E5-44366-00	Damper, Water Seal
38304	OEM: 6L2-44367-00	Damper, Water Seal
38305	OEM: 689-44366-00	Damper, Water Seal

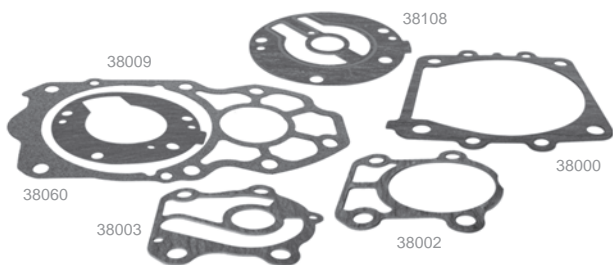
**Gearcase Seal Kit Components - Yamaha
Misc. Gaskets, Seals & Washers**



38015	OEM: 90430-08020	Gasket
38025	OEM: 90430-12072	Gasket, Water Tube
21656	OEM: 90430-14M09	Washer, Oil Drain Plug
38023	OEM: 62Y-13475-00	Gasket
36910	OEM: 6G8-41133-A0-00	Damper, Exhaust Tube
85621	OEM: 61N-45315-00	Packing, Lower Casing
38065	OEM: 62Y-41133-00	Gasket, Exhaust Manifold

GLM Products, Inc.

Gearcase Seal Kit Components - Yamaha Water Pump Gaskets



38005	OEM: 6H3-44324-A0	Gasket, Cartridge
38011	OEM: 663-44324-A0	Gasket, Cartridge
38109	OEM: 689-44324-A0	Gasket, Cartridge
36930	OEM: 683-45315-A0	Gasket, Water Pump Base
38120	OEM: 6G8-45315-A0	Gasket, Water Pump Base
38130	OEM: 63V-45315-A0	Gasket, Water Pump Base
38058	OEM: 676-44315-A1-00	Gasket, Water Pump
38059	OEM: 676-44324-A1-00	Gasket, Water Pump
38061	OEM: 679-44316-A1-00	Gasket, Water Pump
38062	OEM: 676-44316-A1-00	Gasket, Water Pump
38057	OEM: 6CB-44315-00	Gasket, Water Pump
38006	OEM: 60X-44315-A0	Gasket, Water Pump
38050	OEM: 6AW-44315-00	Gasket, Impeller Plate
38060	OEM: 6CE-44315-00	Gasket, Impeller Plate
38000	OEM: 6E5-44315-A0	Gasket, Water Pump
38001	OEM: 688-44315-A0	Gasket, Water Pump
38002	OEM: 688-44316-A0	Gasket, Water Pump
38004	OEM: 6H3-44315-A0	Gasket, Water Pump
38007	OEM: 65N-44315-A0	Gasket, Water Pump
38008	OEM: 63D-44316-00	Gasket, Water Pump
38009	OEM: 689-44315-A0	Gasket, Water Pump
38010	OEM: 663-44316-A0	Gasket, Water Pump
38106	OEM: 663-44315-A0	Gasket, Water Pump
38107	OEM: 682-44315-A0	Gasket, Water Pump
38108	OEM: 689-44316-A0	Gasket, Water Pump
38003	OEM: 688-44324-A0	Gasket, Water Pump

Gearcase Seal Kit Components - Yamaha Muffler Gaskets & Seals

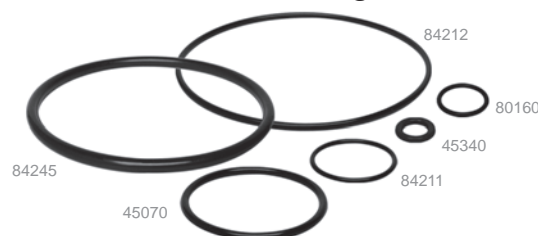


38014	OEM: 61A-45123-01	Gasket, Muffler
38018	OEM: 63D-45123-00	Gasket, Muffler
38021	OEM: 67C-45123-00	Gasket, Muffler
38029	OEM: 6E5-45123-00	Gasket, Muffler

Gearcase Seal Kit Components - Yamaha Muffler Gaskets & Seals continued...

38032	OEM: 663-45123-00	Gasket, Muffler
38036	OEM: 688-45123-00	Gasket, Muffler
38038	OEM: 6H3-45123-00	Gasket, Muffler
38040	OEM: 6L2-41134-00	Gasket, Exhaust Manifold
38035	OEM: 688-41133-00	Gasket, Cartridge
38302	OEM: 6H3-45127	Seal
38303	OEM: 62Y-45127	Seal
38055	OEM: 6D0-45123-00	Seal, Exhaust
85625	OEM: 65W-45128-00	Seal
38063	OEM: 676-45127-00	Seal
38064	OEM: 676-45128-00	Seal

Gearcase Seal Kit O-rings - Yamaha



45070	OEM: N/A	O-ring, Bearing Housing
84211	OEM: 93210-33M85	O-ring, Shift Shaft
84212	OEM: 93211-04384	O-ring, Prop Carrier
84216	OEM: 93211-02001	O-ring, Prop Carrier
83480	OEM: 93211-10232	O-ring, Prop Carrier
45330	OEM: 93210-94003	O-ring
80160	OEM: 93210-16772	O-ring
84200	OEM: 93210-33MG4	O-ring
84205	OEM: 93210-65752	O-ring
84210	OEM: 93211-04384	O-ring
84215	OEM: 93210-54534	O-ring
84220	OEM: 93210-48MGB	O-ring
84225	OEM: 93210-69MG6	O-ring
84230	OEM: 93210-74775	O-ring
45340	OEM: 93210-06ME6	O-ring
84240	OEM: 93210-58677	O-ring
84245	OEM: 93210-97M55	O-ring
84250	OEM: 93210-86M39	O-ring
84255	OEM: 93210-49046	O-ring
84260	OEM: 93210-41042	O-ring
84265	OEM: 93210-66M98	O-ring
84270	OEM: 93210-85M97	O-ring
84275	OEM: 93210-60MA3	O-ring
84280	OEM: 93210-60M99	O-ring
84285	OEM: 93210-40M10	O-ring
84290	OEM: 93210-46044	O-ring
84295	OEM: 93210-86M38	O-ring
84001	OEM: 93210-22298	O-ring
84002	OEM: 93210-26240	O-ring
84003	OEM: 93210-64ME7	O-ring
84004	OEM: 93210-65M50	O-ring

**Gearcase Seal Kit Components - Yamaha
O-rings continued...**

84300	OEM: 93210-37M67	O-ring
84305	OEM: 93210-59MG7	O-ring
84310	OEM: 93210-45161	O-ring
84320	OEM: 93210-08M60	O-ring
84335	OEM: 93210-74316	O-ring
84340	OEM: 93210-74M68	O-ring
84350	OEM: 93210-56M80	O-ring
84360	OEM: 93210-57M09	O-ring
87213	OEM: 93210-07540	O-ring

**Gearcase Seal Kit Components - Yamaha
Oil Seals continued...**

85234	OEM: 93104-22M07	Oil Seal, Water Pump Hsg.
85235	OEM: 93101-28018	Oil Seal, Drive Shaft
85236	OEM: 93101-35018	Oil Seal, Prop Shaft
85237	OEM: 93101-12M70	Oil Seal, Shift Shaft
85221	OEM: 93101-30M17	Oil Seal
85222	OEM: 93101-28M16	Oil Seal
85223	OEM: 93106-09014	Oil Seal
85224	OEM: 93101-25M57	Oil Seal
85225	OEM: 93101-22067	Oil Seal
85226	OEM: 93110-16004	Oil Seal
85227	OEM: 93101-22M60	Oil Seal
85228	OEM: 93101-23070	Oil Seal
85229	OEM: 93101-25M03	Oil Seal
85231	OEM: 93101-20M07	Oil Seal
85232	OEM: 93102-20484	Oil Seal
85660	OEM: 93101-17054	Oil Seal
85658	OEM: 93101-13M27	Oil Seal
85238	OEM: 93104-16M01	Oil Seal

Gearcase Seal Kit Oil Seals- Yamaha



GEARCASE SEAL KITS APPLICATION

Model	Year	Seal Kit	Model	Year	Seal Kit	Model	Year	Seal Kit
9.9 / 15	All	87843	C-90	1997-01	87837	P-175	1994-95	87841
20	1996-97	87826	V4			P-175	1996-99	87841
25	1988-98, 2000, 2002-05	87826	115	1986, 1995	87838	S-175	1996-99	87841
25	1999, 2001	87833	115	1994-05	87838	V-175	2000	87841
C-25	1991-97	87827	C-115	1991-95	87838	Z-175	2001-05	87841
CV-25	1990	87827	C-115	1996-00	87838	VZ-175	2001-05	87841
F-25,4-S	1998 & Up	87846	P-115	1993-95	87838	200	1984-95	87841
T-25	2001-05	87829	P-115	1996	87838	200	1996-98	87841
30	87, 89-93, 96-99, 01-02	87833	S-115	1996-99	87838	L-200	1986-95	87841
C-30	1991-92	87827	130	1988, 1995	87838	L-200	1996-99	87841
C-30, 2-S	1993-97	87846	130	1994-04	87838	P-200	1991-95	87841
CV-30	1989-90	87827	C-130	1996	87838	P-200	1996-99	87841
F-30	2001-05	87829	L-130	1989, 1995	87838	S-200	1996-99	87841
40	1984-05	87834	L-130	1994-01	87838	LX-200	1999-01	87841
C-40	1990-97	87845	S-130	1997-98	87838	SX-200	1999-05	87841
C-40	1998-02	87834	S-130	1996, 99	87838	LZ-200	2000-05	87841
CV-40	1990-97	87845	V6			Z-200	2000-05	87841
F-40	2000-05	87829	150	1988	87841	VF-200, 4-S	2006 & Up	87847
P-40	1998	87834	150	1985-95	87841	VZ-200	2001-04	87841
E-48	1995, 1997-00	87812	150	1996-05	87841	225	1990-93	87841
50	1986-05	87834	C-150	1996, 1998-99	87841	225	1994-96	87828
C-50	1998-01	87834	L-150	1986-95	87841	225	1997	87841
P-50	91-96	87834	L-150	1996-99	87841	L-225	1994-96	87828
C-55	1991-95	87812	P-150	1991-95	87841	L-225	1997-99	87828
C-60	1996-01	87836	P-150	1996-99	87841	S-225	1996	87828
E-60	1995-00	87836	S-150	1996-99	87841	S-225	1997-99	87828
P-60	1991-99	87836	V-150	2000-05	87841	LX-225	2000-03	87828
C-70	2000-01	87836	PW-150	1998	87841	SX-225	2000-03	87828
C-75	1994-98	87837	LX-150	1999-01	87841	VF-225, 4-S	2006 & Up	87847
E-75	1995-00	87837	PX-150	1999	87841	250	1990-92, 1994-95	87828
P-75	1996-99	87837	SX-150	1999-04	87841	L-250	1990-99	87828
S-75	1996	87841	VX-150	2000-04	87841	S-250	1996-99	87828
C-80	1997	87837	Z-150	2000-05	87841	LX-250	2000-03	87828
C-85	1991-96	87837	LZ-150	2000-05	87841	SX-250	2000-03	87828
CV-85	1989-90	87837	VZ-150	2000-05	87841	VF-250, 4-S	2006 & Up	87847
90	1984-05	87837	175	1985-95	87841			
B-90	1998-99	87837	175	1997	87841			

GLM Products, Inc.

Prop Hardware - Yamaha 25 thru CV-30 HP



21255	OEM: 689-W4599-00	Prop Hardware Kit (All Components)
22070	OEM: 91490-30030-00	Cotter Pin
21233	OEM: 90171-14013-00	Prop Nut - M14 x 1.5
21224	OEM: 92990-14200-00	Washer
22177	OEM: 689-45997-00	Spacer

Fits Models: 25, 25-C/CV/F, 30, 30-C/CV HP

Prop Hardware - Yamaha F-50 thru F-100 HP



21254	OEM: 67F-W4599-00	Prop Hardware Kit (All Components)
22090	OEM: 91490-40030-00	Cotter Pin
21231	OEM: 90171-16011-00	Prop Nut - M12 x 1.5
21223	OEM: 90389-25M00-00	Bushing
22178	OEM: 67F-45997-00	Spacer

Fits Models: 50-F/T, 60, T-60, 70, F-75, 80-F/FT, 90, F-90 & F-100

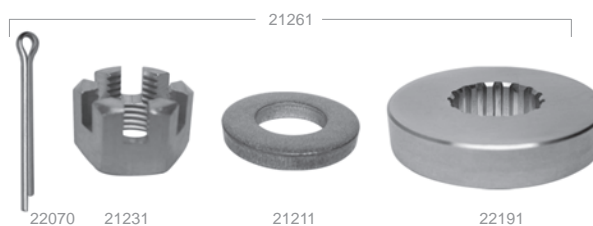
Prop Hardware - Yamaha F-30 thru F-60 HP



21253	OEM: 66T-W4599-00	Prop Hardware Kit (All Components)
22070	OEM: 91490-30030-00	Cotter Pin
21231	OEM: 90171-16011-00	Prop Nut - M12 x 1.5
21222	OEM: 90389-22M01-00	Bushing
22179	OEM: 66T-45997-00	Spacer

Fits Models:
F-30, F-40, F-50 & F-60 HP

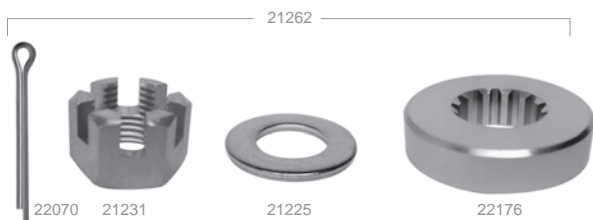
Prop Hardware - Yamaha T-50 thru C-90 HP



21261	OEM: 6H1-W4599-00	Prop Hardware Kit (All Components)
22070	OEM: 91490-30030-00	Cotter Pin
21231	OEM: 90171-16011-00	Prop Nut - M12 x 1.5
21211	OEM: 90201-17M00-00	Washer
22191	OEM: 688-45997-01	Spacer

Fits Models: T-50, 60, 60-C/E/P, 70, C-70, 75-C/E/P/S
C-80, C-85, CV-85, 90, 90-B/C HP

Prop Hardware - Yamaha 40 thru CV-55 HP



21262	OEM: 6H4-W4599-00	Prop Hardware Kit (All Components)
22070	OEM: 91490-30030-00	Cotter Pin
21231	OEM: 90171-16011-00	Prop Nut - M12 x 1.5
21225	OEM: 92990-16200-00	Washer
22176	OEM: 670-45997-02	Spacer

Fits Models: 40, C-40, CV-40, F-40, P-40,
E-48, 50, 50-C/F/P, C-55 & CV-55

Prop Hardware - Yamaha 115 thru Z-300 HP



21251	OEM: 6G5-W4599-00	Prop Hardware Kit (All Components)
22090	OEM: 91490-40030-00	Cotter Pin
21241	OEM: 90171-18M04-00	Prop Nut - M16 x 1.5
21221	OEM: 92990-18200-00	Washer
22191	OEM: 688-45997-01	Spacer

Fits Models: 115, 115-B/C/F/L/LF/P/S, 130,130-L/S,
150, 150-C/D/DX/F/L/LF/LX/LZ/P/PW/PX/S/SX/V/VX/VZ/Z,
175, 175-P/S/V/VZ/Z, 200, 200-L/LF/LX/LZ/F/P/S/SX/V/VX/VZ/Z,
225, 225-F/L/LF/LX/S/SX/V/VX/VZ, 250, 250-F/L/LF/LX/LZ/S,
250-SX/V/VZ/Z, 300-LZ/V/VZ/Z HP

TOC

Manifolds-Merc.

Manifolds-OMC

Manifolds-Volvo

Manifolds-Barr

MerCruiser

Merc / Mar / For

OMC / Volvo

Johnson / Evin

Yamaha

Index / X-Ref.

Warranty

TOC

Manifolds-Merc.

Manifolds-OMC

Manifolds-Volvo

Manifolds-Barr

MerCruiser

Merc / Mar / For

OMC / Volvo

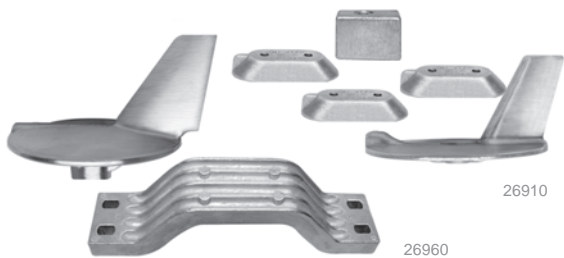
Johnson / Evin

Yamaha

Index / X-Ref.

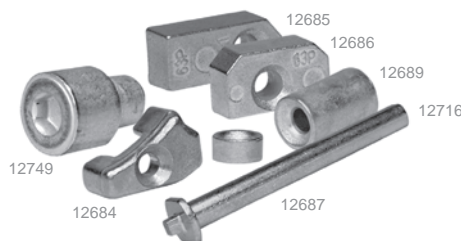
Warranty

Aluminum Anode Kits - Yamaha



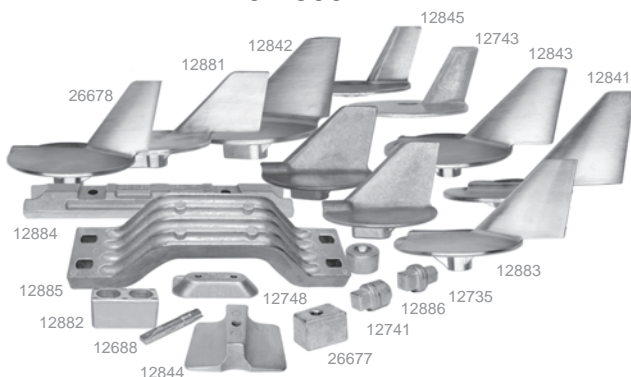
26910	OEM: N/A	4T, 40-60 HP
26920	OEM: N/A	60-90 HP
26930	OEM: N/A	150-200 HP
26940	OEM: N/A	150-200 HP Counter Rotation
26950	OEM: N/A	200-250 HP
26960	OEM: N/A	200-300 HP

Aluminum Anodes Misc. - Yamaha



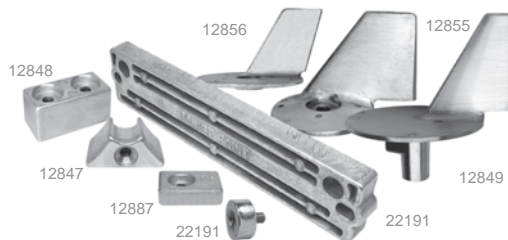
12685	OEM: 63P-11325-01	Cube for Engine
12686	OEM: 63P-11325-11	Cube for Engine
12749	OEM: 68V-11325-02	For Cylinder Head
12684	OEM: 682-11325-00	Small Plate for Engine
12687	OEM: 63P-11325-21	Washer Anode
12689	OEM: 68T-11325-00	Long Washer Anode
12716	OEM: 61A-11325-00	Pencil Anode

**Aluminum Anodes - Yamaha
20 - 300 HP**



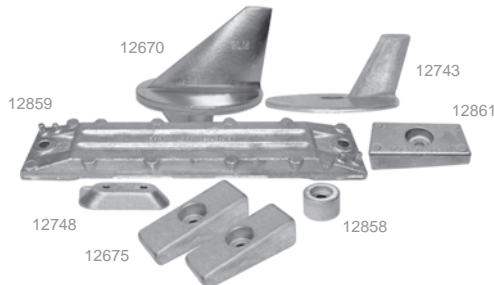
12743	OEM: 664-45371-01	20-50 HP
12844	OEM: 61N-45251-01	F-25 & C-30 HP
12748	OEM: 6E0-45251-12-00	40 HP
26677	OEM: 67C-45251-00	4T, 40-60 HP
12886	OEM: 688-45251-01	40-90 HP
12884	OEM: 6H1-45251-03-00	40-90 HP
12882	OEM: 6E5-45251-00	40-90 HP
12688	OEM: 62Y-11325-00	40-200 HP
12881	OEM: 688-45371-02	60, 70, 90 HP (1984 & Up), C-60, C-75, C-85, C-90 HP (1994-01), E-60, E-75, F-50, P-60, P-75, T-50 HP
12741	OEM: 67F-11325-00	80-100 HP
12735	OEM: 67F-11325-01	80-100 HP
12845	OEM: 67C-45371	80-100 HP
12841	OEM: 6T5-45371-01	V6 / V8 DR, DL (1989-90), L4 DR (1990), 90, 100, 115 HP
12744	OEM: 6E5-45371-01	115, 130 HP, V6
12885	OEM: 6G5-45251-02-00	115-225 HP
12843	OEM: 6K1-45371-02	120, 200 HP Counter Rotation
12883	OEM: 6J9-45371	150 HP
12745	OEM: 6K1-45371	150, 200 HP
12842	OEM: 61A-45371	200, 225 & 250 HP
26678	OEM: 69L-45371-00	200-300 HP

Aluminum Anodes - Suzuki



12887	OEM: 55320-95310	DF-9.9-250 HP (1997-06) DT-4-225 HP (1983-06)
12856	OEM: 55125-96310	DF-25, DF-30 HP (2000-03) DT-20-35 HP (1983-00)
12885	OEM: 55125-95500	DF-40, DF-50 HP (1999-06) DT-40-85 HP (1983-00)
12846	OEM: 11130-94600	DF-60, DF-70 HP (1998-03) DT-5-175 HP (1983-06)
12848	OEM: 41810-87D00	DT-90-225 HP (1986-03)
12857	OEM: 55320-94900	DF-60-250 HP (2001-06) DT-115, DT-140 HP (1996-01)
12849	OEM: 55120-8780	DT-150-225 HP (1986-03)
12847	OEM: 11281-87D00	DT-75-225 HP (1986-03)

Aluminum Anodes - Honda



12748	OEM: 6E0-45251-12-00	4-5 HP
12743	OEM: 41107-ZV5-000	20-50 HP
12670	OEM: 41107-ZW1-003ZA	BF-75, BF-90 HP
12858	OEM: 12155-ZV5-000	Mounts inside water passages
12675	OEM: 41109-ZW1-003	Mounts on each side of ext. case.
12861	OEM: 41109-ZW1-B00	Mounts on each side of ext. case.
12859	OEM: 06411-ZW1-000	Mounts on bottom stern bracket.

GLM Products, Inc.

Water Pump Impeller Identification

Water Pump Impellers can be divided into two distinct groups.

High volume water pumps use **long vane** Impellers, while **high pressure** water pumps use **short vane** Impellers.



High Volume / Long Vane



High Pressure / Short Vane

See Guide below for Identification, Dimensions & Keys*

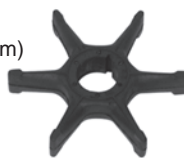
*Keys are not included with impellers & must be ordered separately.

High Volume / Long Vane

89660 OEM: 6F5-44352-00
Outside \varnothing : 2.750"
Inside \varnothing : .625"
Key: **89595**
OEM: 90280-04M04-00



89890 OEM: 689-44352-02
Outside \varnothing : 2.736" (69.5mm)
Inside \varnothing : .630" (16mm)
Key: **89589**
OEM: 664-44338-00



89960 OEM: 6AW-44352-00
Outside \varnothing : 3.50"
Inside \varnothing : 1.00"
Key: **89586**
OEM: 6AW-44336-00



89300 OEM: 6CE-44352-00-00
Outside \varnothing : 3.50"
Inside \varnothing : 1.00"
Key: **89588**
OEM: 90280-04002-00



89930 OEM: 6E5-44352-01-00
Outside \varnothing : 3.50"
Inside \varnothing : .875"
Key: **89588**
OEM: 90280-04M05-00,
90280-04002-00



High Pressure / Short Vane

89870 OEM: 6G1-44352-00
Outside \varnothing : 1.575"
Inside \varnothing : .453"
Key: **N/A**
OEM: 28-81912M



89860 OEM: 6E0-44352-00
Outside \varnothing : 1.575" (40mm)
Inside \varnothing : .438" (11mm)
Keys: **N/A**
OEM: 17-82355M



89850 OEM: 646-44352-01
Outside \varnothing : 1.875"
Inside \varnothing : .438"
Key: **N/A**
OEM: 17-82355M



89619 OEM: 63V-44352-01
Outside \varnothing : 2.125"
Inside \varnothing : .500"
Key: **89589**
OEM: 664-44338-00



89900 OEM: 6H4-44352-02-00
Outside \varnothing : 2.00"
Inside \varnothing : .625"
Key: **89587**
OEM: 90280-03024



89880 OEM: 682-44352-03
Outside \varnothing : 1.575" (40mm)
Inside \varnothing : .512" (13mm)
Key: **89587**
OEM: 90280-03024



89622 OEM: 6L2-44352-00
Outside \varnothing : 2.0625"
Inside \varnothing : .53125"
Key: **89587**
OEM: 90280-03024



89624 OEM: 67F-44352-00
Outside \varnothing : 2.3125"
Inside \varnothing : .8125"
Key: **89595**
OEM: 90280-04M04-00



89920 OEM: 688-44352-03
Outside \varnothing : 2.3125"
Inside \varnothing : .8125"
Key: **89595**
OEM: 90280-04M04-00



89910 OEM: 6H3-44352-00
Outside \varnothing : 2.047" (52mm)
Inside \varnothing : .709" (18mm)
Key: **89599**
OEM: 90280-03M03-00



TOC

Manifolds-Merc.

Manifolds-OMC

Manifolds-Volvo

Manifolds-Barr

MerCruiser

Merc / Mar / For

OMC / Volvo

Johnson / Evin

Yamaha

Index / X-Ref.

Warranty

TOC

Manifolds-Merc.

Manifolds-OMC

Manifolds-Volvo

Manifolds-Barr

MerCruiser

Merc./Mar./For

OMC/Volvo

Johnson/Evin

Yamaha

Index/X-Ref.

Warranty

**Complete Water Pump Housing Kits
Yamaha**



12263

*See Application Chart for Models

9.9 - 15 HP	
12281	OEM: 682-W0078-A1-00 + 682-44300-01-00 9.9-15 HP*
12269	OEM: 682-W0078-A3-00 + 682-44300-01-00 9.9-15 HP*
12087	OEM: 63V-W0078-01 + 63V-44301-00-00 9.9-15 HP*
12129	OEM: 69G-W0078-01 + 63V-44301-00-00 9.9-15 HP*
20-25 HP	
12267	OEM: 6L2-W0078-00 + 6L2-44311-00-00 20-25 HP*
F-25 & C-30 HP	
12127	OEM: 61N-W0078-11-00 F-20 & C-30 HP*
25 & 30 HP	
12059	OEM: 689-W0078-A6 25 & 30 HP*
25, 30, 40 & 50 HP (3-Cylinder)	
12268	OEM: 6J8-W0078-A2 + 6J8-44311-00 25-50 HP, 3-Cyl.*
C/ CV-40 HP	
12237	OEM: 679-W0078-A1 + 676-44311-00 C-40 & CV-40 HP*
40-50 HP	
12287	OEM: 6H4-W0078-A0 + 663-44311-00-00 40-50 HP*
12289	OEM: 63D-W0078-01 + 63D-44311-00-00 40-50 HP*
T-25, F-30 & F-40 HP (4-Stroke)	
12266	OEM: 66T-W0078-00 + 66T-44311-00 T-25, F-30 & F-40 HP (4-Stroke)*
12238	OEM: 6BG-W0078-00 + 66T-44311-00 T-25, F-30 & F-40 HP (4-Stroke)*
55 HP	
12288	OEM: 663-W0078-01, 663-W0078-A0 55 HP* + 663-44311-02-00
50-70 HP	
12291	OEM: 6H3-W0078-01, 6H3-W0078-02 50-70 HP* + 6H3-44311-02-00
70-90 HP	
12293	OEM: 692-W0078-02 + 688-44311-01-00 70-90 HP*

**Complete Water Pump Housing Kits
Yamaha - continued...**

*See Application Chart for Models

75-100 HP	
12295	OEM: 67F-W0078-00 + 67F-44311-01-00 75-100 HP*
115 HP (4-Stroke)	
12296	OEM: 68V-W0078-00 + 61A-44311-00-00 115 HP (4-Stroke)*
115-130 HP (2 & 4-Stroke)	
12297	OEM: 6N6-W0078-02, 6E5-W0078-A1 115-130 HP (2 & 4-Stroke)* + 61A-44311-00-00
115 & 150 HP (2-Stroke)	
12298	OEM: 65N-W0078-A1 + 61A-44311-00-00 115 & 150 HP (2-Stroke)*
150-300 HP (2-Stroke)	
12261	OEM: 60X-W0078-00 + 61A-44311-01-00 150-300 HP (2-Stroke)*
150-300 HP (2 & 4-Stroke)	
12262	OEM: 61A-W0078-A3 + 61A-44311-01-00 150-300 HP (2 & 4-Stroke)*
VF-200 - VF-250 HP (4-Stroke)	
12249	OEM: 6CB-W0078-00 VF-200 - VF-250 HP + 61A-44311-01-00 (4-Stroke)*
F-225 - F-300 HP (V6)	
12265	OEM: 6CE-W0078-00 + 6CE-44311-01-00 F-225 - F-300 HP (V6)*
250 HP (4-Stroke)	
12263	OEM: 6P2-W0078-00 + 61A-44311-01-00 250 HP (4-Stroke)*
300-350 HP (V8, 4-Stroke)	
12248	OEM: 6AW-W0078-00 + 6AW-44311-01 300-350 HP (V8, 4-Stroke)*

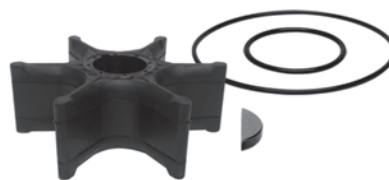
Water Pump Housing Kit - Yamaha



*See Application Chart for Models

12419	OEM: N/A 115-300 HP*
-------	----------------------

Water Pump Impeller Kit - Yamaha

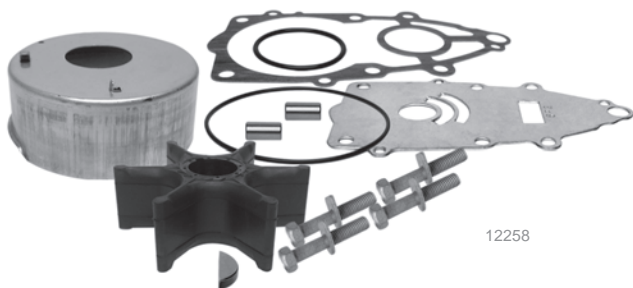


*See Application Chart for Models

89932	OEM: N/A 115-300 HP*
-------	----------------------

GLM Products, Inc.

Water Pump Kits without Housing Yamaha



12258

*See Application Chart for Models

9.9 - 15 HP		
12278	OEM: 682-W0078-A1	9.9-15 HP*
12273	OEM: 682-W0078-A3	9.9-15 HP*
12066	OEM: 63V-W0078-01	9.9-15 HP*
12052	OEM: 69G-W0078-00	9.9-15 HP*
20 - 25 HP		
12277	OEM: 6L2-W0078-00	20-25 HP*
25, 30, 40 & 50 HP (3-Cylinder)		
12285	OEM: 6J8-W0078-A2	25-50 HP (3-Cylinder)*
C/CV-40 HP		
12302	OEM: 679-W0078-A1-00 + 6F5-W0078-A0-00	C-40 & CV-40 HP*
40-50 HP		
12064	OEM: 6H4-W0078-A0	40-50 HP*
12276	OEM: 63D-W0078-01 + 63D-W0078-00	40-50 HP*
T-25, F-30 & F-40 (4-Stroke)		
12272	OEM: 66T-W0078-00	T-25, F-30 & F-40 HP (4-Stroke)*
12303	OEM: 6BG-W0078-00	T-25, F-30 & F-40 HP (4-Stroke)*
55 HP		
12279	OEM: 663-W0078-01 + 663-W0078-A0	55 HP*
50-70 HP		
12283	OEM: 6H3-W0078-A0 + 6H3-W0078-02	50-70 HP*
70-90 HP		
12282	OEM: 692-W0078-02, 692-W0078-01 & 692-W0078-A0	70-90 HP*
75-100 HP		
12275	OEM: 67F-W0078-00	75-100 HP*
115 HP (4-Stroke)		
12067	OEM: 68V-W0078-00	115 HP (4-Stroke)*
115-130 HP (2 & 4-Stroke)		
12286	OEM: 6N6-W0078-02, 6E5-W0078-A1 & 6N6-W0078-00	115-130 HP* (2 & 4-Stroke)
115 & 150 HP (2-Stroke)		
12075	OEM: 65N-W0078-A1	115 & 150 HP (2-Stroke)*
150-300 HP (2-Stroke)		
12068	OEM: 60X-W0078-00	150-300 HP (2-Stroke)*

Water Pump Kits without Housing Yamaha - continued...

*See Application Chart for Models

150-300 HP (2 & 4-Stroke)		
12069	OEM: 61A-W0078-A3, 61A-W0078-A1-00 & 695-W0078-A1-00	150-300 HP (2 & 4-Stroke)*
VF-200 - VF-250 HP (4-Stroke)		
12259	OEM: 6CB-W0078-00	VF-200 - VF-250 HP (4-Stroke)*
F-225 - F-300 HP (V6)		
12063	OEM: 6CE-W0078-00	F-225 - F-300 HP (V6)*
250 HP (4-Stroke)		
12258	OEM: 6P2-W0078-00	250 HP (4-Stroke)*
300-350 HP (V8, 4-Stroke)		
12089	OEM: 6AW-W0078-00	300-350 HP (V8, 4-Stroke)

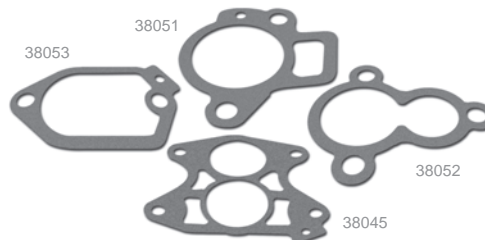
Thermostat Kits & Thermostats 140°F (60°C) & 122°F (50°C) - Yamaha



13321

Thermostat Kits		
13015	OEM: N/A (GLM Original)	140 °F (60 °C) Includes: 13012, 38045, 38051 & 38052
13321	OEM: N/A (GLM Original)	122 °F (50 °C) Includes: 13320, 38045, 38051, 38052 & 38053
Thermostats		
13012	OEM: 6E5-12411-00/01/02, 6F5-12411-01/02/03, 69M-12411-00/01, 6H3-12411-00/10/11	140 °F (60 °C)
13320	OEM: 6E5-12411-10/20/30 688-12411-00/01/10/11, 6G8-12411-00/01/02/03, 66M-12411-00/01	122 °F (50 °C)

Thermostat Gaskets - Yamaha



38045	OEM: 688-12414-A1-00	140 °F & 122 °F
38051	OEM: 6H3-12414-A1-00	140 °F & 122 °F
38052	OEM: 68D-E2414-A0-00	140 °F & 122 °F
38053	OEM: 6J8-12414-A0-00	122 °F

TOC
Manifolds-Merc.
Manifolds-OMC
Manifolds-Volvo
Manifolds-Barr
MerCruiser
Merc / Mar / For
OMC / Volvo
Johnson / Evin
Yamaha
Index / X-Ref.
Warranty

GLM Products, Inc.

WATER PUMP KITS & COMPONENTS APPLICATION

Model / HP	Year(s)	Repair Kit	Complete Kit	Housing	Impeller	Pump Cup	Wear Plate	Impeller Kit
T8(4ST)	2007 & Up	12052	12129	12445	89619	12809	12516	-
9.9	1984-93	12278	12281	12448	89880	12876	12515	-
9.9	1994-95	12273	12269	12448	89880	12876	12515	-
9.9	1996-09	12066	12087	12445	89619	12809	12517	-
9.9 F/T/FT	1985-1996	12278	12281	12448	89880	12876	12515	-
9.9 F/T/FT	1997-2005	12273	12269	12448	89880	12876	12515	-
9.9 F/T	2005-2006	12066	12087	12445	89619	12809	12517	-
9.9 F/T	2007 & Up	12052	12129	12445	89619	12809	12516	-
15	1984-1995	12278	12281	12448	89880	12876	12515	-
15	1996-2009	12066	12087	12445	89619	12809	12517	-
F15	1998-2006	12066	12087	12445	89619	12809	12517	-
F15C	2006 & Up	-	12239	12457	89619	12809	12516	-
20	1996-1997	12277	12267	12455	89622	12866	12508	-
F20	2006 & Up	-	12239	12457	89619	12809	12516	-
25 (2CYL)	1984-1987	-	12059	12076	89890	12868	12527	-
25 (2CYL)	1988-2009	12277	12267	12455	89622	12866	12508	-
25 (3CYL)	1997-2002	12285	12268	12452	89900	12864	12526	-
CV25	1990	-	12059	12076	89890	12868	12527	-
C25	1991-1997	-	12059	12076	89890	12868	12527	-
T25	2001 & Up	12272	12266	12451	89900	12873	12512	-
F25	1998 & Up	-	12127	12453	89900	12807	12533	-
30	1984-1987	-	12059	12076	89890	12868	12527	-
30	1988-2002	12285	12268	12452	89900	12864	12526	-
C/CV30	1989-1992	-	12059	12076	89890	12868	12527	-
C30	1993-1997	-	12127	12453	89900	12807	12533	-
F30	2001-2005	12272	12266	12451	89900	12873	12512	-
F30	2013 & Up	-	-	12451	89900	12873	12524	-
40	1984-1994	12268	12285	12452	89900	12864	12526	-
40/P40	1995-2005	12276	12289	12079	89910	12873	12524	-
CV/C40	1990-1997	12302	12237	12454	89660	12805	12509	-
C40	1998-2003	12276	12289	12079	89910	12873	12524	-
F40	1999	12276	12289	12079	89910	12873	12524	-
F40/B	2000-2008	12272	12266	12451	89900	12873	12512	-
F40/A	2008 & Up	12303	12238	12451	89900	12873	12524	-
50	1984-1994	12268	12285	12452	89900	12864	12526	-
50	1995-2009	12276	12289	12079	89910	12873	12524	-
P/PRO50	1987-1994	12064	12287	12446	89900	12864	12526	-
P/PRO50	1995-1996	12276	12289	12079	89910	12873	12524	-
C50	1998-2001	12276	12289	12079	89910	12873	12524	-
T50	1996 & Up	12283	12291	12447	89910	12864	12514	-
F50	1995 & Up	12276	12289	12079	89910	12873	12524	-
CV/C55	1989-1995	12279	12288	12446	89910	12864	12526	-
E60	1995-1996	12283	12291	12447	89910	12864	12514	-
E60	1997-2000	-	-	-	-	-	-	-



GLM Products, Inc.

WATER PUMP KITS & COMPONENTS APPLICATION

Model / HP	Year(s)	Repair Kit	Complete Kit	Housing	Impeller	Pump Cup	Wear Plate	Impeller Kit
C60	1996-2001	12283	12291	12447	89910	12864	12514	-
P60	1991-1999	12283	12291	12447	89910	12864	12514	-
60	2001-2003	12283	12291	12447	89910	12864	12514	-
60	2004-2005	12282	12293	12078	89920	12862	12513	-
T60	2003 & Up	12283	12291	12447	89910	12864	12514	-
F60	2002 & Up	12276	12289	12079	89910	12873	12524	-
70	1984-2003	12283	12291	12447	89910	12864	12514	-
70	2003-2009	12282	12293	12078	89920	12862	12513	-
C70	2001	12283	12291	12447	89910	12864	12514	-
F70	2010 & Up	12304	12131	12458	89910	12873	12556	-
C/E/P75	1994-2000	12282	12293	12078	89920	12862	12513	-
F75	2003 & Up	12275	12295	12443	89624	12872	12523	-
C80	1987	12282	12293	12078	89920	12862	12513	-
F80	1999-2003	12275	12295	12443	89624	12872	12523	-
C85	1989-1996	12282	12293	12078	89920	12862	12513	-
C/90	1984-2009	12282	12293	12078	89920	12862	12513	-
F90 A/B	2003 & Up	12275	12295	12443	89624	12872	12523	-
F100	1999-2003	12275	12295	12443	89624	12872	12523	-
C/P/S115	1984-2009	12286	12297	12074	89930	12870	12522	89932
B115	1998-1999	12075	12298	12074	89930	12870	12521	89932
F/LF115	2000-2001	12286	12297	12074	89930	12870	12522	89932
F/LF115	2002 & Up	12067	12296	12074	89930	12870	12518	89932
VF 115	2015 & Up	12067	12296	12074	89930	12870	12518	89932
L/S/130	1988-2004	12286	12297	12074	89930	12870	12522	89932
L/S/150	1984-2009	12069	12262	12074	89930	12870	12511	89932
PROV/P/PX150	1986-1999	12069	12262	12074	89930	12870	12511	89932
C150	1996-1999	12069	12262	12074	89930	12870	12511	89932
SX/LX150	1999-2004	12069	12262	12074	89930	12870	12511	89932
V/VX/VZ150	2000-2014	12069	12262	12074	89930	12870	12511	89932
Z/LZ150	2000-2005	12069	12262	12074	89930	12870	12511	89932
D/DX150	1997-2005	12075	12298	12074	89930	12870	12521	89932
F/LF150A/B	2004 & Up	12069	12262	12074	89930	12870	12511	89932
S/175	1984-2000	12069	12262	12074	89930	12870	12511	89932
V/VZ175	2000-2012	12069	12262	12074	89930	12870	12511	89932
P/Z175	1994-2005	12069	12262	12074	89930	12870	12511	89932
F/VF175	2014 & Up	12069	12262	12074	89930	12870	12511	89932
L/S200	1984-1999	12069	12262	12074	89930	12870	12511	89932
LX/SX200	1999-2005	12069	12262	12074	89930	12870	12511	89932
P200	1991-1999	12069	12262	12074	89930	12870	12511	89932
Z/LZ200	2000-2012	12069	12262	12074	89930	12870	12511	89932
V/VX200	1998-2005	12069	12262	12074	89930	12870	12511	89932
VZ200	2001-2004	12069	12262	12074	89930	12870	12511	89932
VZ200	2005-2009	12063	12265	12074	89930	12870	12519	89932
F/LF200/A	2002 & Up	12069	12262	12074	89930	12870	12511	89932

GLM Products, Inc.

THERMOSTAT KITS & COMPONENTS APPLICATION

Model / HP	Year	T-stat	OEM	T-stat Kit	OEM	Model / HP	Year	T-stat	OEM	T-stat Kit	OEM
F4	1999 & Up	13012	66M-12411-00-00	13015	N/A	C50	1998-01	13320	6E5-12411-30-00	13321	N/A
F8	2001-04	13012	66M-12411-00-00	13015	N/A	P50	1991-96	13320	6E5-12411-30-00	13321	N/A
F8	2005 & Up	13012	66M-12411-00-00	13015	N/A	C55	1991-95	13012	6F5-12411-03-00	13015	N/A
T8	2001-04	13012	66M-12411-00-00	13015	N/A	CV55	1989	13012	6F5-12411-03-00	13015	N/A
T8	2005 & Up	13012	66M-12411-00-00	13015	N/A	S75	1996	13320	6E5-12411-30-00	13321	N/A
8 2stroke	1989 & Up	13320	6E5-12411-02-00	13321	N/A	9.9	1996-05	13012	6F5-12411-03-00	13015	N/A
6 2stroke	1986-88	13320	6E5-12411-20-00	13321	N/A	F9.9	1986-04	13320	6E5-12411-30-00	13321	N/A
6 2Stroke	1989 & Up	13320	6E5-12411-01-00	13321	N/A	V4					
F6	2001-04	13012	66M-12411-00-00	13015	N/A	115	1984-05	13320	6E5-12411-30-00	13321	N/A
F6	2005 & Up	13012	66M-12411-01-00	13015	N/A	B115	1998-99	13320	6E5-12411-30-00	13321	N/A
9.9 2Stroke	1984-95	13012	6F5-12411-02-00	13015	N/A	C115	1991-00	13320	6E5-12411-30-00	13321	N/A
9.9 2Stroke	1996 & Up	13320	6E5-12411-30-00	13321	N/A	L115	1998	13320	6E5-12411-30-00	13321	N/A
FT 9.9	1985 & Up	13012	6G8-12411-03-00	13015	N/A	P115	1993-96	13320	6E5-12411-30-00	13321	N/A
T/FT 9.9	1985 & Up	13012	6G8-12411-03-00	13015	N/A	S115	1996-99	13320	6E5-12411-30-00	13321	N/A
F9.9	1985 & Up	13012	6G8-12411-03-00	13015	N/A	130	1988-04	13320	6E5-12411-30-00	13321	N/A
T9.9(66R)	2005 & Up	13012	66M-12411-01-00	13015	N/A	L130	1989-01	13320	6E5-12411-30-00	13321	N/A
F9.9(66N)	2005 & Up	13012	66M-12411-01-00	13015	N/A	S130	1996-99	13320	6E5-12411-30-00	13321	N/A
F9.9G(6AV)	2007 & Up	13012	66M-12411-01-00	13015	N/A	V6					
F9.9F(6A0)	2007 & Up	13012	66M-12411-01-00	13015	N/A	C150	1996-99	13320	6E5-12411-30-00	13321	N/A
15 2Stroke	1984-95	13012	6F5-12411-02-00	13015	N/A	D150	1999-05	13320	6E5-12411-30-00	13321	N/A
15 2Stroke	1996 & Up	13320	6E5-12411-30-00	13321	N/A	DX150	1999-05	13320	6E5-12411-30-00	13321	N/A
15 4Stroke	1998 & Up	13012	66M-12411-01-00	13015	N/A	L150	1986-99	13320	6E5-12411-30-00	13321	N/A
15	1986-95	13012	6F5-12411-03-00	13015	N/A	LX150	1999-01	13320	6E5-12411-30-00	13321	N/A
15	1996-04	13320	6E5-12411-30-00	13321	N/A	LZ150	2000-05	13320	6E5-12411-30-00	13321	N/A
20 2Stroke	1996-97	13320	6E5-12411-20-00	13321	N/A	P150	1991-99	13320	6E5-12411-30-00	13321	N/A
F20	All	13320	6AH-12411-00-00	13321	N/A	PW150	1998	13320	6E5-12411-30-00	13321	N/A
25	1988	13320	6E5-12411-30-00	13321	N/A	PX150	1999	13320	6E5-12411-30-00	13321	N/A
25 2-Cyl.	1988-89	13320	6E5-12411-20-00	13321	N/A	S150	1996-99	13320	6E5-12411-30-00	13321	N/A
25-2 Stroke	1990-95	13320	6E5-12411-01-00	13321	N/A	SX150	1999-04	13320	6E5-12411-30-00	13321	N/A
25-2 Stroke	1996-99	13320	6E5-12411-20-00	13321	N/A	V150	2000-05	13320	6E5-12411-30-00	13321	N/A
25-2 Stroke	2000-02	13320	6E5-12411-20-00	13321	N/A	VX150	2000-04	13320	6E5-12411-30-00	13321	N/A
25-2 Stroke	2003 & Up	13320	6E5-12411-30-00	13321	N/A	VZ150	2000-05	13320	6E5-12411-30-00	13321	N/A
25	1996	13320	6E5-12411-30-00	13321	N/A	Z150	2000-05	13320	6E5-12411-30-00	13321	N/A
25 3-Cyl.	1997-02	13320	688-12411-10-00	13321	N/A	175	1986-00	13320	6E5-12411-30-00	13321	N/A
25	2003-05	13320	6E5-12411-30-00	13321	N/A	P175	1994-99	13320	6E5-12411-30-00	13321	N/A
C25	1990-97	13312	6F5-12411-02-00	13015	N/A	S175	1996-99	13320	6E5-12411-30-00	13321	N/A
C25	1991-97	13312	6F5-12411-03-00	13015	N/A	V175	2000	13320	6E5-12411-30-00	13321	N/A
CV25	1990	13312	6F5-12411-03-00	13015	N/A	VZ175	2001-05	13320	6E5-12411-30-00	13321	N/A
F25	1998	13312	6G8-12411-02-00	13015	N/A	Z175	2001-05	13320	6E5-12411-30-00	13321	N/A
F25	1999-04	13312	6G8-12411-02-00	13015	N/A	200	1986-98	13320	6E5-12411-30-00	13321	N/A
F25	2005 & Up	13312	6G8-12411-03-00	13015	N/A	L200	1986-99	13320	6E5-12411-30-00	13321	N/A
T25	2001-04	13312	6G8-12411-02-00	13015	N/A	LX200	1999-01	13320	6E5-12411-30-00	13321	N/A
T25	2005 & Up	13312	6G8-12411-03-00	13015	N/A	LZ200	2000-05	13320	6E5-12411-30-00	13321	N/A
30	1986	13012	6F5-12411-03-00	13015	N/A	P200	1991-99	13320	6E5-12411-30-00	13321	N/A
30	1987	13320	6E5-12411-30-00	13321	N/A	S200	1996-99	13320	6E5-12411-30-00	13321	N/A
30 2-Cyl.	1984-86	13320	6F5-12411-02-00	13321	N/A	SX200	1999-05	13320	6E5-12411-30-00	13321	N/A
30-3-Cyl.	1987-88	13320	6E5-12411-20-00	13321	N/A	V200	1998-99	13320	6E5-12411-30-00	13321	N/A
30-3-Cyl.	1989-91	13320	6E5-12411-01-00	13321	N/A	VX200	2000-05	13320	6E5-12411-30-00	13321	N/A
30-3-Cyl.	1992-94	13320	688-12411-10-00	13321	N/A	VZ200	2001-04	13320	6E5-12411-30-00	13321	N/A
30-3-Cyl.	1995-98	13320	688-12411-10-00	13321	N/A	Z200	2000-05	13320	6E5-12411-30-00	13321	N/A
30-3-Cyl.	1999-02	13320	688-12411-10-00	13321	N/A	225	1990-97	13320	6E5-12411-30-00	13321	N/A
C30	1991-92	13012	6F5-12411-03-00	13015	N/A	L225	1995-99	13320	6E5-12411-30-00	13321	N/A
CV30	1989-90	13012	6F5-12411-03-00	13015	N/A	LX225	2000-03	13320	6E5-12411-30-00	13321	N/A
C/ CV30	1989-92	13012	6F5-12411-02-00	13015	N/A	S225	1996-99	13320	6E5-12411-30-00	13321	N/A
CV-2cyl.	1993-97	13020	6E5-12411-01-00	13321	N/A	SX225	2000-03	13320	6E5-12411-30-00	13321	N/A
CV-3cyl.	1995	13020	688-12411-10-00	13321	N/A	V225	1998-99	13320	6E5-12411-30-00	13321	N/A
F30	2001-04	13012	6G8-12411-02-00	13015	N/A	VX225	2000-04	13320	6E5-12411-30-00	13321	N/A
F30	2005 & Up	13012	6G8-12411-03-00	13015	N/A	250	1990-95	13320	6E5-12411-30-00	13321	N/A
40	1986-05	13320	6E5-12411-30-00	13321	N/A	L250	1990-99	13320	6E5-12411-30-00	13321	N/A
C40	1991-97	13012	6F5-12411-03-00	13015	N/A	LX250	2000-03	13320	6E5-12411-30-00	13321	N/A
C40	1998-02	13320	6E5-12411-30-00	13321	N/A	S250	1996-99	13320	6E5-12411-30-00	13321	N/A
CV40	1990	13012	6F5-12411-03-00	13015	N/A	SX250	2000-03	13320	6E5-12411-30-00	13321	N/A
P40	1998	13320	6E5-12411-30-00	13321	N/A	VX250	2002-04	13320	6E5-12411-30-00	13321	N/A
50	1986-05	13320	6E5-12411-30-00	13321	N/A						

TOC

Manifolds-Merc.

Manifolds-OMC

Manifolds-Volvo

Manifolds-Barr

MerCruiser

Merc / Mar / For

OMC / Volvo

Johnson / Evin

Yamaha

Index / X-Ref.

Warranty

GLM Products, Inc.

GLM's Exclusive Marine Pistons

- Fully Machined Hypereutectic Pistons
- Featuring a Hard Anodizing Coating on Top
- Resisting Temperatures up to 1560°F
- Hardness: HV280-400
- Pistons are T-6 Heat Treated
- GLM Pistons are 100% Cast



	Casting	Forging
Pros	Low expansion rate Lighter weight Longer life, Lower costs	Greater Strength
Cons	Less strength but compensated by strong mold process	Heavier weight High expansion rate Shorter life, Higher costs
Verdict	For Recreational & General use	High Performance Purposes

Warning:

GLM Products, Inc. will not cover the warranty for non-authorized marine engine boring services.

Piston Ring Coatings Comparison

Did you know sometimes as much as 30% of engine friction comes from the piston rings? Therefore, 2-ring pistons have less friction than 3-ring pistons.

To minimize piston ring friction in the engine you should:

- Choose the right ring tension and coating
- If oversize, check that the bore size is correct
- Change the engine oil regularly



Ring Coating	Scuff Resistance	Wear Resistance
Plain	Poor	Low
Plasma Moly	Excellent	Good
Nitriding	Average	Excellent
Chrome	Average	Excellent

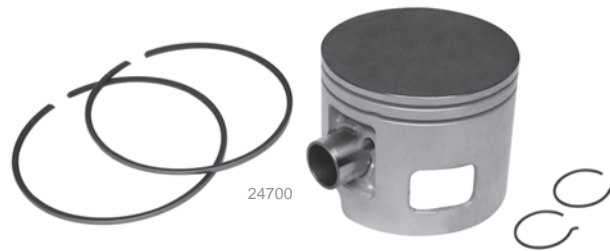
Pistons - Inline 48, 55, 75, 80, 85 & 90 HP (ø 81mm)



Pistons come with rings, pin & retainer.
Rings come 2 in a set.

Pistons	
24760	OEM: 6H1-11631-03-95 Size: ø 81mm
24761	OEM: 6H1-11635-03-00 Size: ø 81mm + .25mm
24762	OEM: 6H1-11636-03-00 Size: ø 81mm + .50mm
Rings	
14300	OEM: 688-11603-A0-00 Size: ø 81mm
14301	OEM: 688-11604-A0-00 Size: ø 81mm + .25mm
14302	OEM: 688-11605-A0-00 Size: ø 81mm + .50mm

Pistons - 115, 130, 150, 175, 200 & 225 HP V4 & V6 (ø 89mm w/ 23mm Wrist Pin)



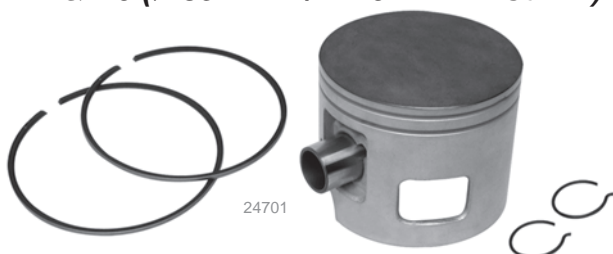
Pistons come with rings, pin & retainer.
Rings come 2 in a set (1 Keystone & 1 Rectangle).

Pistons - Port Side	
24700	OEM: 68F-11642-01-85, Size: ø 89mm OEM: 64D-11642-02-90, OEM: 6R5-11642-11-93
24720	OEM: 6R5-11645-11-00, Size: ø 89mm + .25mm OEM: 68F-11645-01-00
24740	OEM: 6R5-11646-11-00, Size: ø 89mm + .50mm OEM: 68F-11646-01-00
Pistons - Starboard Side	
24710	OEM: 68F-11631-01-85, Size: ø 89mm OEM: 64D-11631-02-90, OEM: 6R5-11631-11-93
24730	OEM: 6R5-11635-11-00, Size: ø 89mm + .25mm OEM: 68F-11635-01-00
24750	OEM: 6R5-11636-11-00, Size: ø 89mm + .50mm OEM: 68F-11636-01-00
Rings	
14303	OEM: 64D-11603-02-00 Size: ø 89mm
14304	OEM: 64D-11604-02-00 Size: ø 89mm + .25mm
14305	OEM: 64D-11605-02-00 Size: ø 89mm + .50mm



GLM Products, Inc.

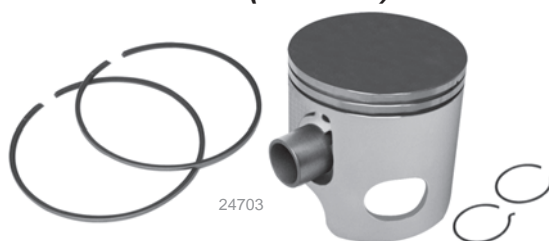
Pistons - 115, 130, 150, 175, 200 & 225 HP V4 & V6 (ø 89mm w/ 21.5mm Wrist Pin)



Pistons come with rings, pin & retainer.
Rings come 2 in a set (1 Keystone & 1 Rectangle).

Pistons - Port Side	
24701	OEM: 6R5-11642-01-93 Size: ø 89mm
24721	OEM: 6R5-11645-11-00 Size: ø 89mm + .25mm
24741	OEM: 6R5-11646-01-00 Size: ø 89mm + .50mm
Pistons - Starboard Side	
24702	OEM: 6R5-11631-01-93 Size: ø 89mm
24732	OEM: 6R5-11635-11-00 Size: ø 89mm + .25mm
24752	OEM: 6R5-11636-01-00 Size: ø 89mm + .50mm
Rings	
14303	OEM: 64D-11603-02-00 Size: ø 89mm
14304	OEM: 64D-11604-02-00 Size: ø 89mm + .25mm
14305	OEM: 64D-11605-02-00 Size: ø 89mm + .50mm

Pistons - 200, 225 & 250 HP V6 (ø 89mm)



Pistons come with rings, pin & retainer.
Rings come 2 in a set (1 Keystone & 1 Rectangle).

Pistons - Port Side	
24703	OEM: 69L-11642-00-85 Size: ø 89mm
24723	OEM: 69L-11645-00-00 Size: ø 89mm + .25mm
24743	OEM: 69L-11646-00-00 Size: ø 89mm + .50mm
Pistons - Starboard Side	
24704	OEM: 69L-11631-00-85 Size: ø 89mm
24734	OEM: 69L-11635-00-00 Size: ø 89mm + .25mm
24754	OEM: 69L-11636-00-00 Size: ø 89mm + .50mm
Rings	
14303	OEM: 64D-11603-02-00 Size: ø 89mm
14304	OEM: 64D-11604-02-00 Size: ø 89mm + .25mm
14305	OEM: 64D-11605-02-00 Size: ø 89mm + .50mm

PISTON KITS & RINGS APPLICATION

HP / Model	Year	Standard mm		.25mm Oversize		.50mm Oversize		
		Piston	Ring	Piston	Ring	Piston	Ring	
Inline 48, 55, 75, 80, 85 & 90 HP (ø 81mm)								
48 - E	1995-2000	24760	14300	24761	14301	24762	14302	
55 - C	1993-1995	24760	14300	24761	14301	24762	14302	
75 - C, E	1994-1995	24760	14300	24761	14301	24762	14302	
75 - C, E, P	1996-2000	24760	14300	24761	14301	24762	14302	
80 - C	1997	24760	14300	24761	14301	24762	14302	
85 - C	1993-1996	24760	14300	24761	14301	24762	14302	
90 - C, B	1994-2005	24760	14300	24761	14301	24762	14302	
115, 130, 150, 175, 200, 225 HP - V4 & V6 - (ø 89mm) w/ 23mm Wrist Pin								
115 & 130 -	Port	1993 & Up	24700	14303	24720	14304	24740	14305
V4	Starboard		24710	14303	24730	14304	24750	14305
150 & 175 -	Port	1993 & Up	24700	14303	24720	14304	24740	14305
V6	Starboard		24710	14303	24730	14304	24750	14305
200 & 225 -	Port	1992 & Up	24700	14303	24720	14304	24740	14305
V6	Starboard		24710	14303	24730	14304	24750	14305

TOC
Manifolds-Merc.
Manifolds-OMC
Manifolds-Volvo
Manifolds-Barr
MerCruiser
Merc / Mar / For
OMC / Volvo
Johnson / Evin
Yamaha
Index / X-Ref.
Warranty

GLM Products, Inc.

PISTON KITS & RINGS APPLICATION continued...

HP / Model	Year	Standard mm		.25mm Oversize		.50mm Oversize		
		Piston	Ring	Piston	Ring	Piston	Ring	
115, 130, 150, 175, 200, 225 HP - V4 & V6 - (ø 89mm) w/ 21.5mm Wrist Pin								
115 - V4, C	Port	1984-1992	24701	14303	24721	14304	24741	14305
	Starboard		24702	14303	24732	14304	24752	14305
130 - V4, L	Port	1988-1992	24701	14303	24721	14304	24741	14305
	Starboard		24702	14303	24732	14304	24752	14305
150 - V6, L, P	Port	1985-1992	24701	14303	24721	14304	24741	14305
	Starboard		24702	14303	24732	14304	24752	14305
175 - V6	Port	1985-1992	24701	14303	24721	14304	24741	14305
	Starboard		24702	14303	24732	14304	24752	14305
200 - V6, L	Port	1984-1991	24701	14303	24721	14304	24741	14305
	Starboard		24702	14303	24732	14304	24752	14305
225 - V6	Port	1990-1991	24701	14303	24721	14304	24741	14305
	Starboard		24702	14303	24732	14304	24752	14305
200, 225 & 250 HP - V6 - (ø 89mm)								
200 - V6, V, VX	Port	1998-2005	24703	14303	24723	14304	24743	14305
	Starboard		24704	14303	24734	14304	24754	14305
200 - V6, VX	Port	2002-2005	24703	14303	24723	14304	24743	14305
	Starboard		24704	14303	24734	14304	24754	14305
225 - V6, L	Port	1994-1995	24703	14303	24723	14304	24743	14305
	Starboard		24704	14303	24734	14304	24754	14305
225 - V6, L, S, SX	Port	1996-2001	24703	14303	24723	14304	24743	14305
	Starboard		24704	14303	24734	14304	24754	14305
225 - V6, LX, SX, VX	Port	2002-2004	24703	14303	24723	14304	24743	14305
	Starboard		24704	14303	24734	14304	24754	14305
225 - V6, V	Port	1998	24703	14303	24723	14304	24743	14305
	Starboard		24704	14303	24734	14304	24754	14305
225 - V6, V, VX	Port	1999-01	24703	14303	24723	14304	24743	14305
	Starboard		24704	14303	24734	14304	24754	14305
250 - V6, L	Port	1995	24703	14303	24723	14304	24743	14305
	Starboard		24704	14303	24734	14304	24754	14305
250 - V6, L, S, SX	Port	1996-2001	24703	14303	24723	14304	24743	14305
	Starboard		24704	14303	24734	14304	24754	14305
250 - V6, LX, SX, VX	Port	2002-2004	24703	14303	24723	14304	24743	14305
	Starboard		24704	14303	24734	14304	24754	14305



GLM Products, Inc.

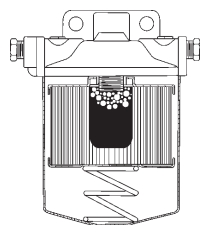
Eliminate Fuel Starvation with GLM's Low Pick-up Water/Fuel Separator Mounting Bracket

Engine compartment temperatures can soar on hot summer days creating high gasoline temperatures. High temps and agitation caused by rough seas can aerate the gasoline in the water/fuel separator filter turning it into foam. A fuel pump can't pull aerated gasoline from the water/fuel separator and deliver it to the carburetor or fuel rail efficiently. The engine will show signs of gasoline starvation (lean) at high speeds, a situation very similar to vapor lock.

Because this aerated gasoline rises to the top of the water/fuel separating filter, GLM has introduced a filter mounting bracket with a fuel pick-up extending deeper into the filter. Through extensive research and testing the GLM engineers have found the optimum location for the fuel pick-up. The deeper location is low enough to be free of aerated gasoline but high enough to be free of the water in the bottom of the separator.

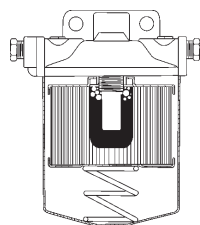
The deeper fuel pickup is only found on the new GLM water/fuel separator mounting bracket kits. It might solve some of those mysterious fuel delivery problems your engine may be experiencing!

Conventional Fuel Filter



Air molecules rise to top and into the fuel system.

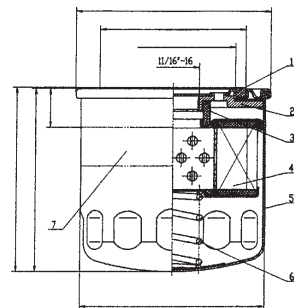
GLM's Fuel Filter



Our design prevents air from entering the fuel system.

GLM Fuel Filter Features

- 28 or 10 micron filter paper shaped into 70 pleats total 327 sq. in. filtration. The largest filtering capability in the aftermarket. (4)
- BWG #11 heavy duty spring (6).
- Gasoline resistant rubber seals (1) (3).
- Oxidizing treatment inside powder coated outside for corrosion protection (5).
- Minimum 196N.m. torque strength between adapt plate and canister (2).
- Will not separate 2 cycle oil from gasoline!



Water Separating Fuel Filter Kits



All kits come with 2 brass plugs & 2 extension tubes.

w/ Translucent Red Stainless Steel Bracket

24960	(24940+25011)	28 Micron
	Flow: 50 GPH	ø1/4" NPTF Ports
24962	(24940+25031)	28 Micron
	Flow: 75 GPH	ø3/8" NPTF Ports

w/ SUS 316 Stainless Steel Bracket

24956	(24950+25010)	28 Micron
	Flow: 50 GPH	ø1/4" NPTF Ports
24958	(24940+25030)	28 Micron
	Flow: 75 GPH	ø3/8" NPTF Ports
24957	(24942+25010)	10 Micron
	Flow: 50 GPH	ø1/4" NPTF Ports
24959	(24942+25030)	10 Micron
	Flow: 75 GPH	ø3/8" NPTF Ports

w/ Die Cast Aluminum Bracket

24950	(24940+25000)	28 Micron
	Flow: 50 GPH	ø1/4" NPTF Ports
24953	(24940+25020)	28 Micron
	Flow: 75 GPH	ø3/8" NPTF Ports
24952	(24942+25000)	10 Micron
	Flow: 50 GPH	ø1/4" NPTF Ports
24954	(24942+25020)	10 Micron
	Flow: 75 GPH	ø3/8" NPTF Ports

Water Separating Fuel Filters



24942	OEM: N/A	10 Micron (4-7/16" H)
24940	OEM: N/A	28 Micron (4-7/16" H)
24941	OEM: N/A	28 Micron (3-3/4" H)
24930	OEM: N/A	28 Micron (4-7/16" H)

Water Separating Fuel Filter Brackets



All brackets come with 2 brass plugs & 2 extension tubes.

Translucent Red Stainless Steel Brackets

25011	(2 inputs & 2 outputs)	ø1/4" NPTF Ports
25031	(2 inputs & 2 outputs)	ø3/8" NPTF Ports

SUS 316 Stainless Steel Brackets

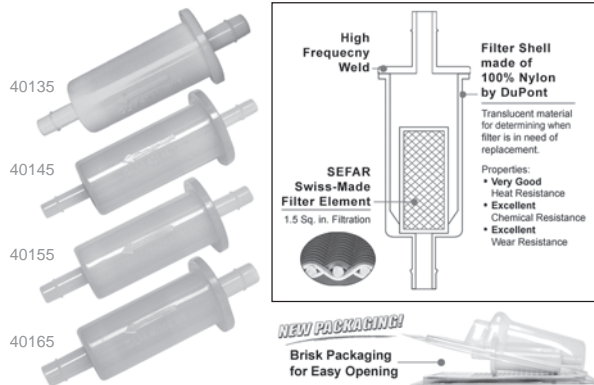
25010	(2 inputs & 2 outputs)	ø1/4" NPTF Ports
25030	(2 inputs & 2 outputs)	ø3/8" NPTF Ports

Die Cast Aluminum Brackets

25000	(2 inputs & 2 outputs)	ø1/4" NPTF Ports
25020	(2 inputs & 2 outputs)	ø3/8" NPTF Ports

TOC
Manifolds-Merc.
Manifolds-OMC
Manifolds-Volvo
Manifolds-Volvo
Manifolds-Barr
MerCruiser
Merc / Mar / For
OMC / Volvo
Johnson / Evin
Yamaha
Index / X-Ref.
Warranty

**Plastic Inline Fuel Filters
Yamaha**



40135	OEM: 435918	ø 5/16" In - ø 3/8" Out
40145	OEM: 35-816296Q03	ø 1/4"
40155	OEM: 35-816296Q2	ø 5/16"
40165	OEM: N/A	ø 3/8"

Carburetor Service Kits - Yamaha



40681	OEM: 6G1-W0093-00	3-8 HP
40667	OEM: 6G8-W0093-02	8 & 9.9 HP
40669	OEM: 6G8-W0093-03	8 & 9.9 HP
40689	OEM: 63V-W0093-00	9.9 & 15 HP
40668	OEM: 66M-W0093-01	9.9 & 15 HP
40688	OEM: 6E7-W0093-04	9.9 & 15 HP
40687	OEM: 6L2-W0093-00	20-25 HP
40672	OEM: 65W-W0093-00	25 HP
40690	OEM: 689-W0093-02	25 & 30 HP
40691	OEM: 6J8-W0093-00	25 & 30 HP
40692	OEM: 61N-W0093-00	30 HP
40693	OEM: 6E9-W0093-02	40 HP
40509	OEM: 6E9-W0093-03	40 HP
40694	OEM: 6H4-W0093-01	40 & 50 HP
40695	OEM: 6H4-W0093-03	40 & 50 HP
40698	OEM: 6H3-W0093-02	60 HP
40697	OEM: 6H2-W0093-10	60-70 HP
40501	OEM: 6H0-W0093-00	75 & 80 HP
40502	OEM: 6H1-W0093-01	75-90 HP
40699	OEM: 6H1-W0093-10	75 & 90 HP
40678	OEM: 67F-W0093-00	80 & 100 HP
40504	OEM: 6N6-W0093-02	115 & 130 HP
40505	OEM: 6E5-W0093-06	115-225 HP
40508	OEM: 64D-W0093-02	150-225 HP
40511	OEM: 61A-W0093-01	225 & 250 HP

**Fuel Pump Diaphragm Kits
Yamaha**



40291	OEM: N/A	115-200 HP, V4 & V6
40292	OEM: N/A	40-90 HP

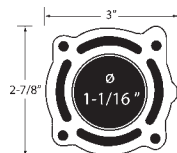
CARBURETOR SERVICE KITS APPLICATION

Model / HP	Year(s)	Repair Kits	Model / HP	Year(s)	Repair Kits	Model / HP	Year(s)	Repair Kits
3, 2-S	1988-2002	40681	50, 2-S	1989-2009	40695	L/S/150, 2-S	1992-1995	40505
6, 2-S	1988-1996	40681	P/PRO50, 2-S	1987-1988	40694	L/S/150, 2-S	1996-2002	40508
8, 2-S	1984-1996	40681	P/PRO50, 2-S	1989-1996	40695	C150, 2-S	1996-1999	40508
9.9, 2-S	1986-1995	40688	C50, 2-S	1998-2001	40695	V150, 2-S	2000-2001	40508
9.9, 2-S	1996-2009	40689	C/CV55, 2-S	1989-1995	-	PROV150, 2-S	1986-1987	40505
15, 2-S	1985-1995	40688	P60, 2-S	1992-1999	40697	D150, 2-S	1996-1999	40508
15, 2-S	1996-2009	40689	E60, 2-S	1995-2000	40698	S/175, 2-S	1986-1987	40505
20, 2-S	1996-1997	40687	70, 2-S	1992-2009	40697	S/175, 2-S	1992-1995	40505
25, 2-S	1984-1987	40690	C75, 2-S	1994-1996	40502	S/175, 2-S	1996-2000	40508
25, 2-S	1988-2009	40687	C75, 2-S	1998-1999	40501	V175, 2-S	2000	40508
C/CV25, 2-S	1990-1997	40690	E75, 2-S	1995-2000	40502	P175, 2-S	1994-1995	40505
25 (3CYL), 2-S	1997-2002	40691	P75, 2-S	1996-1999	40699	P175, 2-S	1996-1999	40508
30(2CYL), 2-S	1984-1986	40690	C80, 2-S	1997	40501	L/S/200, 2-S	1986-1987	40505
30 (3CYL), 2-S	1987-2002	40691	C85, 2-S	1989-1996	40502	L/P/S/200, 2-S	1992-1995	40505
C/CV30, 2-S	1989-1992	40691	90, 2-S	1984-1991	40502	L/P/S/200, 2-S	1996-1999	40508
C30, 2-S	1993-1997	40692	C90/90, 2-S	1992-2009	40699	220, 2-S	1986	40505
40/P40, 2-S	1984-1988	40694	115, 2-S	1987-1988	40505	L/S/225, 2-S	1992-1995	40505
40/P40, 2-S	1989-2005	40695	115, 2-S	1990-1991	40504	L/S/225, 2-S	1996-1997	40508
C/CV40, 2-S	1990-1993	40693	115, 2-S	1992-1995	40505	L/S/250, 2-S	1990-1996	40511
C/CV40, 2-S	1994-1997	40509	C115, 2-S	1992-1995	40505	FT/T/9.9, 4-S	1985-1991	40667
C/CV40, 2-S	1998-2003	40695	P115, 2-S	1993-1996	40505	FT/T/9.9, 4-S	1992-2005	40669
40/P40, 2-S	1984-1988	40694	130, 2-S	1988	40505	F/T/9.9, 4-S	2005-2006	40668
40/P40, 2-S	1989-2005	40695	L/130, 2-S	1990-1991	40504	F15, 4-S	1998-2006	40668
E48, 2-S	1995-2000	-	L/S130, 2-S	1992-1995	40505	F80, 4-S	1999-2002	40678
50, 2-S	1984-1988	40694	L/S/150, 2-S	1987-1988	40505	F100, 4-S	1999-2002	40678

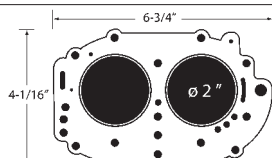
GLM Products, Inc.

Head Gasket Identification Yamaha

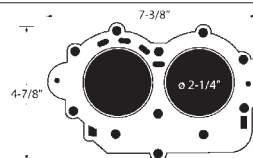
34900 OEM: 6A1-11181-00
1-Cyl., 2 HP
For \varnothing 1.0625" Piston



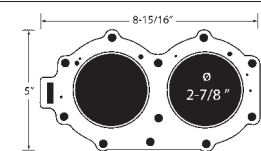
34910 OEM: 677-11181-A1-00
2-Cyl., 8 HP
For \varnothing 2.000" Piston



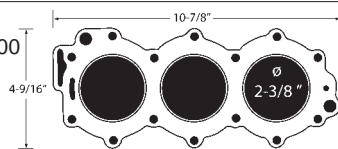
33890 OEM: 6E7-11181-00
2-Cyl., 9.9 & 15 HP
For \varnothing 2.250" Piston



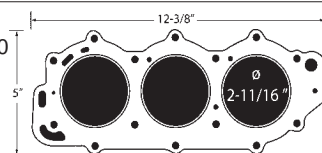
33880 OEM: 689-11181-02
2-Cyl., 25, 30 (1984-1985) & CV-30 HP
For \varnothing 2.875" Piston



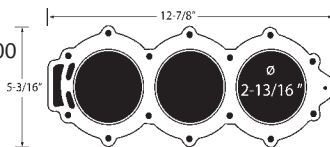
34920 OEM: 6J8-11181-A2-00
3-Cyl., 30 HP
(1987-1990)
For \varnothing 2.375" Piston



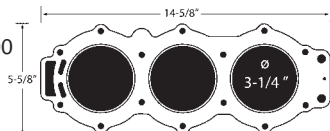
34930 OEM: 6H4-11181-A2-00
3-Cyl., 40, 50 & PRO 50 HP
For \varnothing 2.6875" Piston



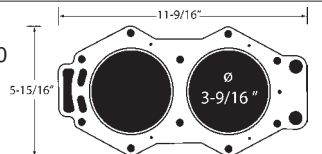
34940 OEM: 6H3-11181-A2-00
3-Cyl., 70 HP
For \varnothing 2.8125" Piston



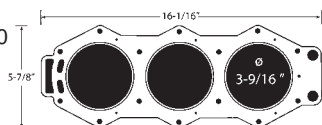
34950 OEM: 688-11181-A2-00
3-Cyl., 85 & 90 HP
For \varnothing 3.2500" Piston



34960 OEM: 6E5-11181-A2-00
V4, 115 & 130 HP
For \varnothing 3.5625" Piston

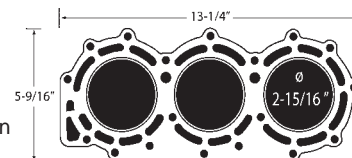


36400 OEM: 6G5-11181-01-00
V6, 150-200 HP
For \varnothing 3.5625" Piston

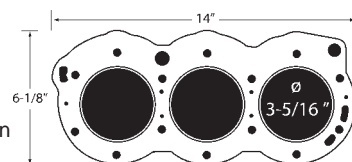


Head Gasket Identification Suzuki

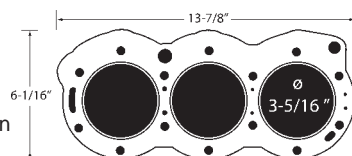
36250 OEM: 11141-94720
3-Cyl., 55 & 65 HP
(1985-1989)
For \varnothing 2.9375" Piston



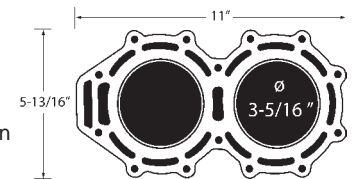
36260 OEM: 11141-95505
3-Cyl., 75 & 85 HP
(1983-1987)
For \varnothing 3.3125" Piston



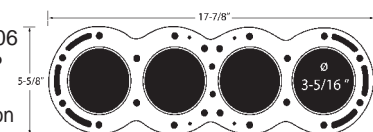
36270 OEM: 11141-95600
3-Cyl., 75 & 85 HP
(1988-1989)
For \varnothing 3.3125" Piston



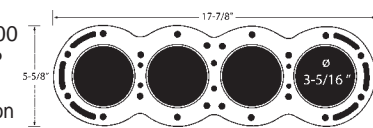
36220 OEM: 11141-87E90
V4, 90 & 100 HP
(1989)
For \varnothing 3.3125" Piston



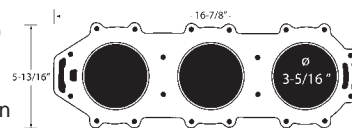
36230 OEM: 11141-94506
L4, 115 & 140 HP
(1983-1984)
For \varnothing 3.3125" Piston



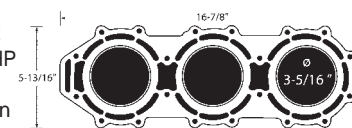
36240 OEM: 11141-94600
L4, 115 & 140 HP
(1986-1989)
For \varnothing 3.3125" Piston



36200 OEM: 11141-87D90
V6, 150 & 200 HP
(1986)
For \varnothing 3.3125" Piston



36210 OEM: 11141-87D92
V6, 150, 175 & 200 HP
(1987-1989)
For \varnothing 3.3125" Piston



TOC

Manifolds-Merc.

Manifolds-OMC

Manifolds-Volvo

Manifolds-Barr

MerCruiser

Merc / Mar / For

OMC / Volvo

Johnson / Evin

Yamaha

Index / X-Ref.

Warranty

**Head Gaskets
Yamaha**



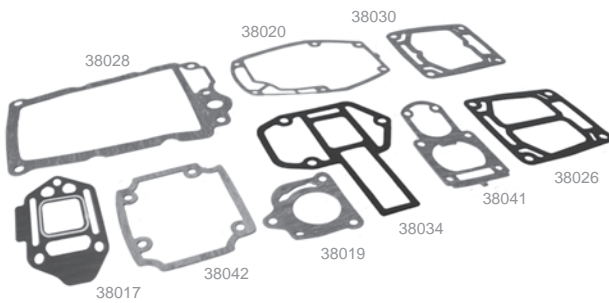
Yamaha Head Gaskets		
34900	OEM: 6A1-11181-00	2 HP, 1-Cyl. For ø 1.0625" Piston
34910	OEM: 677-11181-A1-00	8 HP, 2-Cyl. For ø 2.000" Piston
33890	OEM: 6E7-11181-00	9.9, 15 HP, 2-Cyl. For ø 2.250" Piston
33880	OEM: 689-11181-02	25, 30 (1984-85) & CV-30 HP, 2-Cyl. For ø 2.875" Piston
34920	OEM: 6J8-11181-A2-00	30 HP (1987-90), 3-Cyl. For ø 2.375" Piston
34930	OEM: 6H4-11181-A2-00	40, 50, PRO 50 HP, 3-Cyl. For ø 2.6875" Piston
34940	OEM: 6H3-11181-A2-00	70 HP, 3-Cyl. For ø 2.8125" Piston
34950	OEM: 688-11181-A2-00	85, 90 HP, 3-Cyl. For ø 3.25" Piston
34960	OEM: 6E5-11181-A2-00	115, 130 HP, V4 For ø 3.5625" Piston
36400	OEM: 6G5-11181-01-00	150-200 HP, V6 For ø 3.5625" Piston

**Head Gaskets
Suzuki**



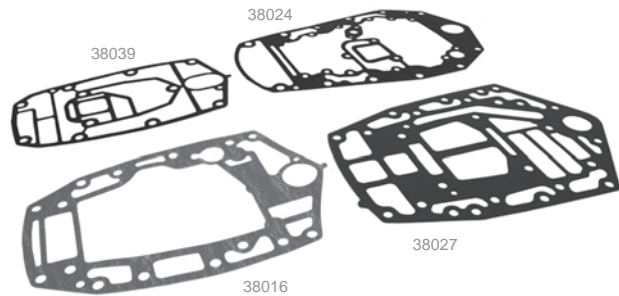
Suzuki Head Gaskets		
36250	OEM: 11141-94720	55, 65 HP (1985-89), 3-Cyl. For ø 2.9375" Piston
36260	OEM: 11141-95505	75, 85 HP (1983-87), 3-Cyl. For ø 3.3125" Piston
36270	OEM: 11141-95600	75, 85 HP (1988-89), 3-Cyl. For ø 3.3125" Piston
36220	OEM: 11141-87E90	90, 100 HP (1989), V4 For ø 3.3125" Piston
36230	OEM: 11141-94506	115, 140 HP (1983-84), L4 For ø 3.3125" Piston
36240	OEM: 11141-94600	115, 140 HP (1986-89), L4 For ø 3.3125" Piston
36200	OEM: 11141-87D90	150, 200 HP (1986), V6 For ø 3.3125" Piston
36210	OEM: 11141-87D92	150, 175, 200 HP (1987-89), V6 For ø 3.3125" Piston

**Exhaust Manifold Gaskets
Yamaha**



38026	OEM: 6G5-41134-A1	Gasket, Exhaust Manifold
38028	OEM: 6E5-41135-A0	Gasket, Exhaust Manifold
38030	OEM: 6E5-41134-A0	Gasket, Exhaust Manifold
38034	OEM: 688-41134-A0	Gasket, Exhaust Manifold
38020	OEM: 6BG-41134-00-00	Gasket, Exhaust Manifold
38019	OEM: 67C-41133-00	Gasket, Exhaust Manifold
38017	OEM: 6H4-41134-A0	Gasket, Exhaust Manifold
38042	OEM: 664-41134-A0	Gasket, Exhaust Manifold
38041	OEM: 6L2-45315-A0	Packing, Lower Casing

**Powerhead Gaskets
Yamaha**



38024	OEM: 69W-15312-00	Gasket, Oil Pan
38013	OEM: 61A-45114-A0	Gasket, Upper Casing
38016	OEM: 63D-45114-A0	Gasket, Upper Casing
38027	OEM: 6G5-45114-A1	Gasket, Upper Casing
38031	OEM: 697-45114-A0	Gasket, Upper Casing
38033	OEM: 688-45114-A1	Gasket, Upper Casing
38037	OEM: 6H3-45114-A1	Gasket, Upper Casing
38039	OEM: 6J8-45114-A1	Gasket, Upper Casing
38012	OEM: 6D0-41134-00	Gasket, Exhaust Manifold

GLM Products, Inc.

OIL SEALS SHAFT & BORE SIZE

Table By OEM Numbers

GLM No.	OEM No.	Shaft Size	Bore Size
85658	93101-13M27	13mm	25mm
85660	93101-17054	-	-
85231	93101-20M07	20mm	34mm
85225	93101-22067	22mm	36mm
85227	93101-22M60	22mm	35.5mm
85228	93101-23070	23mm	37mm
85229	93101-25M03	25mm	40mm
85224	93101-25M57	23mm	35.5
85222	93101-28M16	28mm	43mm
85221	93101-30M17	30mm	45mm
85232	93102-20484	20mm	30mm
85223	93106-09014	9mm	19mm
85226	93110-16004	16mm	30mm

Table By Shaft Size

GLM No.	OEM No.	Shaft Size	Bore Size
85223	93106-09014	9mm	19mm
85658	93101-13M27	13mm	25mm
85226	93110-16004	16mm	30mm
85232	93102-20484	20mm	30mm
85231	93101-20M07	20mm	34mm
85227	93101-22M60	22mm	35.5mm
85225	93101-22067	22mm	36mm
85224	93101-25M57	23mm	35.5
85228	93101-23070	23mm	37mm
85229	93101-25M03	25mm	40mm
85222	93101-28M16	28mm	43mm
85221	93101-30M17	30mm	45mm
85660	93101-17054	-	-

TOC

Manifolds-Merc.

Manifolds-OMC

Manifolds-Volvo

Manifolds-Barr

MerCruiser

Merc / Mar / For

OMC / Volvo

Johnson / Evin

Yamaha

Index / X-Ref.

Warranty

GLM Products, Inc.

YAMAHA OUTBOARDS - ALL YEARS & MODELS (1984-1989)

Year	HP / Model	Year	HP / Model	Year	HP / Model
1984	115ETLN	1985	V6-SPECIAL LK	1987	L200ETXH
1984	115ETXN	1985	V6-SPECIAL XK	1987	PRO V 150LH
1984	15ELN	1986	115ETLJ	1987	PRO50LH
1984	15ESN	1986	115ETXJ	1987	V6 EXCEL LH
1984	15LN	1986	150ETLJ	1987	V6 EXCEL XH
1984	15SN	1986	150ETXJ	1988	115ETLG
1984	200ETLN	1986	15ELJ	1988	115ETLGJD
1984	200ETXN	1986	15ESJ	1988	115ETXG
1984	25ELN	1986	15LJ	1988	130ETLG
1984	25ESN	1986	15SJ	1988	130ETXG
1984	25LN	1986	175ETLJ	1988	15ELG
1984	25SN	1986	175ETXJ	1988	15ESG
1984	2SN	1986	200ETLJ	1988	15LG
1984	30ELN	1986	200ETXJ	1988	15SG
1984	30ESN	1986	30ELJ	1988	25ELG
1984	40ELN	1986	30ESJ	1988	25ESG
1984	40ESN	1986	40ELJ	1988	25LG
1984	40LN	1986	40ESJ	1988	25SG
1984	40SN	1986	40ETLJ	1988	2SG
1984	4LN	1986	40LJ	1988	3LG
1984	4SN	1986	40SJ	1988	3SG
1984	5LN	1986	50ELJ	1988	40ELG
1984	5SN	1986	50ESJ	1988	40ESG
1984	70ETLN	1986	50ETLJ	1988	40ETLG
1984	8LN	1986	70ETLJ	1988	40LG
1984	8SN	1986	9.9ELJ	1988	40SG
1984	9.9ELN	1986	9.9ESJ	1988	4LG
1984	9.9ESN	1986	9.9LJ	1988	4SG
1984	9.9LN	1986	9.9SJ	1988	50ELG
1984	9.9SN	1986	90ETLJ	1988	50ESG
1984	90ETLN	1986	F9.9SJ	1988	50ESGJD
1984	90ETXN	1986	FT9.9ELJ	1988	70ETLG
1985	115ETLK	1986	FT9.9EXJ	1988	9.9ELG
1985	115ETXK	1986	FT9.9XJ	1988	9.9ESG
1985	150ETLK	1986	L150ETXJ	1988	9.9LG
1985	150ETXK	1986	L200ETXJ	1988	9.9SG
1985	15ELK	1986	PROV 150J	1988	90ETLG
1985	15ESK	1986	V6 SPECIAL J	1988	90ETLGJD
1985	15LK	1987	115ETLH	1988	F9.9LG
1985	15SK	1987	115ETJHJD	1988	F9.9SG
1985	175ETLK	1987	115ETXH	1988	FT9.9ELG
1985	175ETXK	1987	150ETLH	1988	FT9.9EXG
1985	200ETLK	1987	150ETXH	1988	FT9.9XG
1985	200ETXK	1987	15ELH	1988	L150ETXG
1985	25ELK	1987	15ESH	1988	L200ETXG
1985	25ESK	1987	15LH	1988	PRO50LG
1985	25LK	1987	15SH	1988	PROV150LG
1985	25SK	1987	175ETLH	1988	V6EXCELLG
1985	2SK	1987	175ETXH	1988	V6EXCELXG
1985	30ELK	1987	200ETLH	1989	115ETLF
1985	30ESK	1987	200ETLHJD	1989	115ETLFJD
1985	40ELK	1987	200ETXH	1989	115ETXF
1985	40ESK	1987	30ELH	1989	130ETLF
1985	40ETLK	1987	30ESH	1989	130ETXF
1985	40LK	1987	30LH	1989	150ETLF
1985	40SK	1987	30SH	1989	150ELF
1985	4LK	1987	50ELH	1989	15ELF
1985	4SK	1987	50ESH	1989	15ESF
1985	5LK	1987	50ESHJD	1989	15LF
1985	5SK	1987	70ETLH	1989	15SF
1985	70ETLK	1987	9.9ELH	1989	175ETLF
1985	8LK	1987	9.9ESH	1989	175ETXF
1985	8LK	1987	9.9LH	1989	200ETLF
1985	8SK	1987	9.9SH	1989	200ETLFJD
1985	9.9ELK	1987	90ETLH	1989	200ETXF
1985	9.9ESK	1987	90ETLHJD	1989	25ELF
1985	9.9LK	1987	F9.9LH	1989	25ESF
1985	9.9SK	1987	F9.9SH	1989	25LF
1985	90ETLK	1987	FT9.9ELH	1989	25SF
1985	FT9.9ELK	1987	FT9.9EXH	1989	2F
1985	FT9.9EXK	1987	FT9.9XH	1989	30ELF
1985	FT9.9XK	1987	L150ETXH	1989	30ESF



GLM Products, Inc.

YAMAHA OUTBOARDS - ALL YEARS & MODELS (1989-1992)

Year	HP / Model	Year	HP / Model	Year	HP / Model
1989	30LF	1990	225ETLD	1991	40MSHP
1989	30SF	1990	225ETXD	1991	40PLRP
1989	3LF	1990	250ETXD	1991	4MLHP
1989	3SF	1990	25ELD	1991	4MSHP
1989	40ELF	1990	25ESD	1991	50EJRP
1989	40ESF	1990	25LD	1991	50ELRP
1989	40ETLF	1990	25SD	1991	50TLHP
1989	40LF	1990	2SD	1991	70TLRP
1989	40SF	1990	30ELD	1991	8MLHP
1989	40SFJD	1990	30ESD	1991	8MSHP
1989	4LF	1990	30LD	1991	9.9ELHP
1989	4SF	1990	30SD	1991	9.9ESHP
1989	50ELF	1990	3LD	1991	9.9MLHP
1989	50ESF	1990	3SD	1991	9.9MSHP
1989	50ESFJD	1990	40ELD	1991	90TJRP
1989	6LF	1990	40ESD	1991	90TLRP
1989	6SF	1990	40ETLD	1991	C115TLRP
1989	70ETLF	1990	40LD	1991	C25ELRP
1989	8LF	1990	40SD	1991	C30ELRP
1989	8SF	1990	40SDJD	1991	C40ELRP
1989	9.9ELF	1990	4LD	1991	C55ELRP
1989	9.9ESF	1990	4SD	1991	C85TLRP
1989	9.9LF	1990	50ELD	1991	F9.9MLHP
1989	9.9SF	1990	50ESD	1991	F9.9MSHP
1989	90ETLF	1990	50ESDJD	1991	L130TXRP
1989	90ETLFJD	1990	50ETMLD	1991	L150TXRP
1989	F9.9LF	1990	70ETLD	1991	L200TXRP
1989	F9.9SF	1990	8LD	1991	L250TLRP
1989	FT9.9ELF	1990	8SD	1991	P150TLRP
1989	FT9.9EXF	1990	9.9ELD	1991	P200TLRP
1989	FT9.9XF	1990	9.9ESD	1991	P50TLRP
1989	L130ETXF	1990	9.9LD	1991	P60TLHP
1989	L150ETXF	1990	9.9SD	1991	T9.9ELHP
1989	L200ETXF	1990	90ETLD	1991	T9.9ELRP
1989	PRO50LF	1990	90ETLDJD	1991	T9.9EXHP
1989	PROV150LF	1991	115TJRP	1991	T9.9MXHP
1989	V6 EXCEL LF	1991	115TLRP	1992	9.9MLHQ
1989	V6 EXCEL XF	1991	115TXRP	1992	9.9MSHQ
1990	CV25ELD	1991	130TLRP	1992	90TJRP
1990	CV25EMLD	1991	130TXRP	1992	90TLRP
1990	CV30ELD	1991	150TLRP	1992	C115TLRP
1990	CV40ELD	1991	150TXRP	1992	C115TXRP
1990	CV85ELD	1991	15ELHP	1992	C30ELRP
1990	CV85ELD	1991	15ESHP	1992	C40ELRP
1990	F9.9LD	1991	15MLHP	1992	C40MSHQ
1990	F9.9SD	1991	15MSHP	1992	C40PLRP
1990	FT9.9ELD	1991	175TLRP	1992	C55ELRP
1990	FT9.9ERLD	1991	175TXRP	1992	C85TLRP
1990	FT9.9EXD	1991	200TJRP	1992	DUAL STATION
1990	FT9.9XD	1991	200TLRP	1992	F9.9MLHQ
1990	L130ETXD	1991	200TXRP	1992	F9.9MSHQ
1990	L150ETXD	1991	225TLRP	1992	L130TXRP
1990	L200ETXD	1991	225TXRP	1992	L150TXRP
1990	L250ETXD	1991	250TURP	1992	L200TXRP
1990	PRO50LD	1991	250TXRP	1992	L250TURQ
1990	PROV150LD	1991	25ELHP	1992	L250TXRP
1990	115ETLD	1991	25ELRP	1992	P150TLRP
1990	115ETLDJD	1991	25ESHP	1992	P200TLRP
1990	115ETXD	1991	25MLHP	1992	P50TLRP
1990	130ETLD	1991	25MSHP	1992	P60TLHP
1990	130ETXD	1991	2MSHP	1992	T9.9ELHQ
1990	150ETLD	1991	30ELRP	1992	T9.9ELRP
1990	150ETXD	1991	30ESRP	1992	T9.9EXHQ
1990	15ELD	1991	30MLHP	1992	T9.9MXHQ
1990	15ESD	1991	30MSHP	1992	115TJRP
1990	15LD	1991	3MLHP	1992	115TLRP
1990	15SD	1991	3MSHP	1992	115TXRP
1990	175ETLD	1991	40EJRP	1992	130TLRP
1990	175ETXD	1991	40ELRP	1992	130TXRP
1990	200ETLD	1991	40ESRP	1992	150TLRP
1990	200ETLDJD	1991	40MJHP	1992	150TXRP
1990	200ETXD	1991	40MLHP	1992	15ELHQ

TOC

Manifolds-Merc.

Manifolds-OMC

Manifolds-Volvo

Manifolds-Barr

MerCruiser

Merc / Mar / For

OMC / Volvo

Johnson / Evin

Yamaha

Index / X-Ref.

Warranty

YAMAHA OUTBOARDS - ALL YEARS & MODELS (1992-1995)

Year	HP / Model	Year	HP / Model	Year	HP / Model
1992	15ESHQ	1993	3MLHR	1994	225TXRS
1992	15MLHQ	1993	3MSHR	1994	250TURS
1992	15MSHQ	1993	40EJRR	1994	250TXRS
1992	175TLRQ	1993	40ELRR	1994	25ELHS
1992	175TXRQ	1993	40ESRR	1994	25ELRS
1992	200TJRQ	1993	40MJHR	1994	25ESHS
1992	200TLRQ	1993	40MLHR	1994	25MLHS
1992	200TXRQ	1993	40MSHR	1994	25MSHS
1992	225TLRQ	1993	40PLRR	1994	2MSHS
1992	225TXRQ	1993	4MLHR	1994	3MLHS
1992	250TURQ	1993	4MSHR	1994	3MSHS
1992	250TXRQ	1993	50EJRR	1994	40EJRS
1992	25ELHQ	1993	50ELRR	1994	40ELRS
1992	25ELRQ	1993	50TLHR	1994	40ESRS
1992	25ESHQ	1993	6MLHR	1994	40MJHS
1992	25MLHQ	1993	6MSHR	1994	40MLHS
1992	25MSHQ	1993	70TLRR	1994	40MSHS
1992	2MSHQ	1993	70TRR	1994	40PLRS
1992	30ELRQ	1993	8MLHR	1994	40TLRS
1992	30ESRQ	1993	8MSHR	1994	4MLHS
1992	30MLHQ	1993	9.9ELHR	1994	4MSHS
1992	30MSHQ	1993	9.9ESHR	1994	50EJRS
1992	3MLHQ	1993	9.9MLHR	1994	50ELRS
1992	3MSHQ	1993	9.9MSHR	1994	50THS
1992	40EJRQ	1993	90TJRR	1994	50TLHS
1992	40ELRQ	1993	90TLRR	1994	6MLHS
1992	40ESRQ	1993	C115TLRR	1994	6MSHS
1992	40MJHQ	1993	C115TXRR	1994	70TLRS
1992	40MLHQ	1993	C25ELHR	1994	8MLHS
1992	40MSHQ	1993	C25ELRR	1994	8MSHS
1992	40PLRQ	1993	C25MLHR	1994	9.9ELHS
1992	4MLHQ	1993	C25MSHR	1994	9.9ESHS
1992	4MSHQ	1993	C30ELRR	1994	9.9MLHS
1992	50EJRQ	1993	C40ELRR	1994	9.9MSHS
1992	50ELRQ	1993	C40MSHR	1994	90TJRS
1992	50TLHQ	1993	C40PLRR	1994	90TLRS
1992	6MLHQ	1993	C55ELRR	1994	C115TLRS
1992	6MSHQ	1993	C55TLRR	1994	C115TXRS
1992	70TLRQ	1993	C85TLRR	1994	C25ELHS
1992	8MLHQ	1993	F9.9MLHR	1994	C25ELRS
1992	8MSHQ	1993	F9.9MSHR	1994	C25MLHS
1992	9.9ELHQ	1993	L130TXRR	1994	C25MSHS
1992	9.9ESHQ	1993	L150TXRR	1994	C30ELRS
1992	9.9ESHQ	1993	L200TXRR	1994	C55ELRS
1993	115TJRP	1993	L250TURR	1994	C55TLRS
1993	115TLRP	1993	L250TXRR	1994	C75TLRS
1993	115TXRR	1993	P115TLRR	1994	C85TLRS
1993	130TLRP	1993	P150TLRR	1994	F9.9MLHS
1993	130TXRR	1993	P200TLRR	1994	F9.9MSHS
1993	150TLRR	1993	P50TLRR	1994	L130TXRS
1993	150TXRR	1993	P60TLHR	1994	L150TXRS
1993	15ELHR	1993	T9.9ELHR	1994	L200TXRS
1993	15ESHR	1993	T9.9ELRR	1994	L225TXRS
1993	15MLHR	1993	T9.9EXHR	1994	L250TURS
1993	15MSHR	1993	T9.9MXHR	1994	L250TXRS
1993	175TLRR	1994	115TJRS	1994	P115TLRS
1993	175TXRR	1994	115TLRS	1994	P150TLRS
1993	200TJRR	1994	115TXRS	1994	P175TLRS
1993	200TLRR	1994	130TLRS	1994	P200TLRS
1993	200TXRR	1994	130TXRS	1994	P50TLRS
1993	225TLRR	1994	150TLRS	1994	P60TLHS
1993	225TXRR	1994	150TXRS	1994	T9.9ELHS
1993	25ELHR	1994	15ELHS	1994	T9.9ELRS
1993	25ELRR	1994	15ESHS	1994	T9.9EXHS
1993	25ESHR	1994	15MLHS	1994	T9.9MXHS
1993	25MLHR	1994	15MSHS	1995	115EJRT
1993	25MSHR	1994	175TLRS	1995	115TLRT
1993	2MSHR	1994	175TXRS	1995	115TXRT
1993	30ELRR	1994	200TJRS	1995	130TLRT
1993	30ESRR	1994	200TLRS	1995	130TXRT
1993	30MLHR	1994	200TXRS	1995	150TLRT
1993	30MSHR	1994	225TLRS	1995	150TXRT

GLM Products, Inc.

YAMAHA OUTBOARDS - ALL YEARS & MODELS (1995-1997)

Year	HP / Model	Year	HP / Model	Year	HP / Model
1995	15ELHT	1995	L225TXRT	1996	C25MSHU
1995	15ESHT	1995	L250TURT	1996	C30ELRU
1995	15MLHT	1995	L250TXRT	1996	C40ELRU
1995	15MSHT	1995	P115TLRT	1996	C40MSHU
1995	175TLRT	1995	P150TLRT	1996	C40PLRU
1995	175TXRT	1995	P175TLRT	1996	C60TLRU
1995	200TJRT	1995	P200LTRT	1996	C75TLRU
1995	200TLRT	1995	P50TLRT	1996	C85TLRU
1995	200TXRT	1995	P60TLHT	1996	E60MLHU
1995	225TLRT	1995	T9.9ELHT	1996	E75MLHU
1995	225TURT	1995	T9.9ELRT	1996	F50TLHU
1995	225TXRT	1995	T9.9EXHT	1996	F50TLRU
1995	250TURT	1995	T9.9MXHT	1996	L130TXRU
1995	250TXRT	1996	115TJRU	1996	L150TXRU
1995	25ELHT	1996	115TLRU	1996	L200TXRU
1995	25ELRT	1996	130TLRU	1996	L225TURU
1995	25ESHT	1996	150TJRU	1996	L225TXRU
1995	25MLHT	1996	150TLRU	1996	L250TURU
1995	25MLHT	1996	15ELHU	1996	L250TXRU
1995	2MSHT	1996	15ESHU	1996	P115TLRU
1995	3MLHT	1996	15MLHU	1996	P150TLRU
1995	3MSHT	1996	15MSHU	1996	P175TLRU
1995	40EJRT	1996	200TLRU	1996	P200TLRU
1995	40ELRT	1996	20MLHU	1996	P50TLRU
1995	40ESRT	1996	20MSHU	1996	P60TLHU
1995	40MJHT	1996	225TLRU	1996	P75TLHU
1995	40MLHT	1996	25ELHU	1996	S115TLRU
1995	40MSHT	1996	25ELRU	1996	S115TXRU
1995	40TLRT	1996	25ESHU	1996	S130TLRU
1995	4MLHT	1996	25MLHU	1996	S130TXRU
1995	4MSHT	1996	25MSHU	1996	S150TLRU
1995	50EJRT	1996	2MSHU	1996	S150TSRU
1995	50ELRT	1996	30ELHU	1996	S175TXRU
1995	50TLHT	1996	30ELRU	1996	S200TXRU
1995	5MSHT	1996	30ESRU	1996	S225TXRU
1995	5MSHT	1996	30MLHU	1996	S225TXRU
1995	6MLHT	1996	30MSHU	1996	S250TURU
1995	6MSHT	1996	3MLHU	1996	S250TXRU
1995	70TLRT	1996	3MSHU	1996	T50TLRU
1995	8MLHT	1996	40EJRU	1996	T9.9ELHU
1995	8MSHT	1996	40ELRU	1996	T9.9ELRU
1995	9.9ELHT	1996	40ESRU	1996	T9.9EXHU
1995	9.9ESHT	1996	40MJHU	1996	T9.9MLHU
1995	9.9MLHT	1996	40MLHU	1996	T9.9MXHU
1995	9.9MSHT	1996	40MSHU	1997	115TJRV
1995	90EJRT	1996	40TLHU	1997	115TLRV
1995	90TLRT	1996	40TLRU	1997	130TLRV
1995	C115TLRT	1996	4MLHU	1997	150TJRV
1995	C115TXRT	1996	4MSHU	1997	150TLRV
1995	C25ELHT	1996	50EJRU	1997	15ELHV
1995	C25ELRT	1996	50TLHU	1997	15ESHV
1995	C25MLHT	1996	5MLHU	1997	15MLHV
1995	C25MSHT	1996	5MSHU	1997	15MSHV
1995	C30ELRT	1996	6MLHU	1997	175TLRV
1995	C40ELRT	1996	6MSHU	1997	200TLRV
1995	C40MLHT	1996	70TLRU	1997	20MLHV
1995	C40MSHT	1996	8MLHU	1997	20MSHV
1995	C40PLRT	1996	8MSHU	1997	225TLRV
1995	C55ELRT	1996	9.9ELHU	1997	25ELHV
1995	C55TLRT	1996	9.9ELRU	1997	25ELRV
1995	C75TLRT	1996	9.9ESHU	1997	25ESHV
1995	C85TLRT	1996	9.9MLHU	1997	25MLHV3
1995	E48MLHT	1996	9.9MSHU	1997	25MSHV3
1995	E60MLHT	1996	90TJRU	1997	2MSHV
1995	E75MLHT	1996	90TLRU	1997	30ELHV
1995	F9.9MLHT	1996	C115TLRU	1997	30ELRV
1995	F9.9MSHT	1996	C115TXRU	1997	30ESRV
1995	L130TXRT	1996	C150TLRU	1997	30MLHV
1995	L150TXRT	1996	C150TXRU	1997	30MSHV
1995	L200TLRT	1996	C25ELHU	1997	3MLHV
1995	L200TXRT	1996	C25ELRU	1997	3MSHV
1995	L225TURT	1996	C25MLHU	1997	40EJRV

TOC

Manifolds-Merc.

Manifolds-OMC

Manifolds-Volvo

Manifolds-Barr

MerCruiser

Merc / Mar / For

OMC / Volvo

Johnson / Evin

Yamaha

Index / X-Ref.

Warranty

YAMAHA OUTBOARDS - ALL YEARS & MODELS (1997-1999)

Year	HP / Model	Year	HP / Model	Year	HP / Model
1997	40ELRV	1997	S250TURV	1998	F25ELRW
1997	40ESRV	1997	S250TXRX	1998	F25ESHW
1997	40MJHV	1997	T50TLRV	1998	F25TLRW
1997	40MLHV	1997	T9.9ELHV	1998	F50TLHW
1997	40MSHV	1997	T9.9ELRV	1998	F50TLRW
1997	40TLHV	1997	T9.9EXHV	1998	F9.9MLHW
1997	40TLRV	1997	T9.9EXRV	1998	F9.9MSHW
1997	4MLHV	1997	T9.9MLHV	1998	L130TXRW
1997	4MSHV	1997	T9.9MXHV	1998	L150TXRW
1997	50EJRV	1998	115TJRV	1998	L200TXRW
1997	50TLHV	1998	115TLRW	1998	L225TURW
1997	50TLRV	1998	130TLRW	1998	L225TXRW
1997	5MLHV	1998	150TJRV	1998	L250TURW
1997	5MSHV	1998	150TLRW	1998	L250TXRW
1997	6MLHV	1998	15MLHW	1998	P150TLRW
1997	6MSHV	1998	15MSHW	1998	P175TLRW
1997	70TLRV	1998	175TLRW	1998	P200TLRW
1997	8MLHV	1998	200TLRW	1998	P40EJRW
1997	8MSHV	1998	25ELHW	1998	P40TLHW
1997	9.9ELRV	1998	25ELRW	1998	P60TLHW
1997	9.9ESHV	1998	25ESHW	1998	P75TLHW
1997	9.9MLHV	1998	25MLHW	1998	S115TLRW
1997	9.9MSHV	1998	25MLHW3	1998	S115TXRW
1997	90TJRV	1998	25MSHW	1998	S130TLRW
1997	90TLRV	1998	25MSHW3	1998	S130TXRW
1997	C115TLRV	1998	2MSHW	1998	S225TURW
1997	C115TXRV	1998	30ELHW	1998	S225TXRW
1997	C150TLRV	1998	30ELHW	1998	S250TXRW
1997	C150TXRV	1998	30ELRW	1998	T50TLRW
1997	C25ELHV	1998	30ESRV	1998	V200TLRW
1997	C25ELRV	1998	30MLHW	1998	V225TLRW
1997	C25MLHV	1998	30MSHW	1999	115TJRX
1997	C25MSHV	1998	3MLHW	1999	130TLRX
1997	C30ELRV	1998	3MSHW	1999	150TJRX
1997	C40ELRV	1998	40ELRW	1999	15MLHX
1997	C40ESHV	1998	40ESRV	1999	15MSHX
1997	C40MSHV	1998	40MLHW	1999	25MLHX3
1997	C40PLRV	1998	40MSHW	1999	25MSHX3
1997	C40TLRV	1998	40TLRW	1999	2MSHX
1997	C60TLRV	1998	4MLHW	1999	30EHX
1997	C80TLRV	1998	4MSHW	1999	30ELHX
1997	C90TLRV	1998	5MLHW	1999	30ELRX
1997	D150TLRV	1998	5MSHW	1999	30ERX
1997	E48MLHV	1998	6MLHW	1999	30MHX
1997	E60MLHV	1998	6MSHW	1999	30MLHX
1997	E75MLHV	1998	70TLRW	1999	30MSHX
1997	F50TLHV	1998	8MLHW	1999	3MLHX
1997	F50TLRV	1998	8MSHW	1999	3MSHX
1997	F9.9MLHV	1998	9.9MLHW	1999	40EJRX
1997	F9.9MSHV	1998	9.9MSHW	1999	40ESRX
1997	L130TXRV	1998	90TJRV	1999	40MJHX
1997	L150TXRV	1998	90TLRW	1999	40MLHX
1997	L200TXRV	1998	B115TLRW	1999	40MSHX
1997	L225TURV	1998	B90TLRW	1999	40TLRX
1997	L225TXRV	1998	C115TLRW	1999	4MLHX
1997	L250TURV	1998	C115TXRW	1999	4MSHX
1997	L250TXRV	1998	C150TLRW	1999	50EJRX
1997	P150TLRV	1998	C150TXRW	1999	5MLHX
1997	P175TLRV	1998	C40TLRW	1999	5MSHX
1997	P200TLRV	1998	C50TLRW	1999	6MLHX
1997	P60TLHV	1998	C60TLRW	1999	6MSHX
1997	P75TLHV	1998	C75TLRW	1999	70TRX
1997	S115TLRV	1998	C90TLRW	1999	8MLHX
1997	S115TXRV	1998	D150TLRW	1999	8MSHX
1997	S130TLRV	1998	E48MLHW	1999	9.9MLHX
1997	S130TXRV	1998	E60MLHW	1999	9.9MSHX
1997	S150TLRV	1998	E75MLHW	1999	90TJRX
1997	S150TXRV	1998	F15ELHW	1999	90TLRX
1997	S175TXRV	1998	F15ESHW	1999	B115TLRX
1997	S200TXRV	1998	F15MLHW	1999	B90TLRX
1997	S225TURV	1998	F15MSHW	1999	C115TLRX
1997	S225TXRV	1998	F25ELHW	1999	C115TXRX



GLM Products, Inc.

YAMAHA OUTBOARDS - ALL YEARS & MODELS (1999-2001)

Year	HP / Model	Year	HP / Model	Year	HP / Model
1999	C150TLRX	2000	40MHY	2001	F100TLRZ
1999	C150TXRX	2000	40TLRY	2001	F100TXRZ
1999	C40TLRX	2000	50ERY	2001	F115TJRZ
1999	C50TLRX	2000	70TLRY	2001	F115TLRZ
1999	C60TLRX	2000	9.9MHY	2001	F115TXRZ
1999	C75TLRX	2000	90TJRY	2001	F15ELHZ
1999	C90TLRX	2000	90TLRY	2001	F15ESHZ
1999	D150TLRX	2000	C115TRY	2001	F15MLHZ
1999	DX150TLRX	2000	C40TLRY	2001	F15MSHZ
1999	E48MLHX	2000	C50TLRY	2001	F15PLHZ
1999	E60MLHX	2000	C60TLRY	2001	F15PLRZ
1999	E75MLHX	2000	C70TLRY	2001	F25ELHZ
1999	F100TLRX	2000	C90TLRY	2001	F25ELRZ
1999	F100TXRX	2000	DX150TLRY	2001	F25ESHZ
1999	F15ELHX	2000	E48MHY	2001	F25ESRZ
1999	F15ESHX	2000	E60MLHY	2001	F25MLHZ
1999	F15MLHX	2000	E75MLHY	2001	F25MSHZ
1999	F15MSHX	2000	F100TLRY	2001	F25TLRZ
1999	F25ELHX	2000	F115TRY	2001	F30TLRZ
1999	F25ELRX	2000	F15EHY	2001	F40ESRZ
1999	F25ESHX	2000	F15MHY	2001	F40MJHZ
1999	F25MLHX	2000	F25EHY	2001	F40MLHZ
1999	F25MSHX	2000	F25ELRY	2001	F40MSHZ
1999	F25TLRX	2000	F25MHY	2001	F40TLRZ
1999	F40TLRX	2000	F25TLRY	2001	F4MLHZ
1999	F4MLHX	2000	F40ESRY	2001	F4MSHZ
1999	F4MSHX	2000	F40MHY	2001	F50TJRZ
1999	F50TLRX	2000	F40TLRY	2001	F50TLRZ
1999	F80TLRX	2000	F4MHY	2001	F6MLHZ
1999	F80TXRX	2000	F50TLRY	2001	F6MSHZ
1999	F9.9MLHX	2000	F80TLRY	2001	F80TJRZ
1999	F9.9MSHX	2000	L130TRY	2001	F80TLRZ
1999	L130TXRX	2000	LF115TRY	2001	F8MLHZ
1999	L150TXRX	2000	LX225TRY	2001	F8MSHZ
1999	L200TXRX	2000	LX250TRY	2001	F9.9ELRZ
1999	L225TXRX	2000	LZ150TRY	2001	F9.9MLHZ
1999	L250TURX	2000	LZ200TRY	2001	F9.9MSHZ
1999	L250TXRX	2000	SX225TRY	2001	LF115TXRZ
1999	LX150TXRX	2000	SX250TRY	2001	LX150TXRZ
1999	LX200TXRX	2000	T50TLRY	2001	LX200TXRZ
1999	P150TLRX	2000	V150TLRY	2001	LX225TXRZ
1999	P175TLRX	2000	V175TLRY	2001	LX250TURZ
1999	P200TLRX	2000	VX150TLRY	2001	LX250TXRZ
1999	P60TLHX	2000	VX200TLRY	2001	LZ150TXRZ
1999	P75TLHX	2000	VX225TLRY	2001	LZ200TXRZ
1999	PX150TLRX	2000	VZ150TLRY	2001	SX150TXRZ
1999	S115TLRX	2000	Z150TRY	2001	SX200TXRZ
1999	S115TXRX	2000	Z200TRY	2001	SX225TURZ
1999	S130TLRX	2001	150TXRZ	2001	SX225TXRZ
1999	S130TXRX	2001	15MSHZ	2001	SX250TURZ
1999	S150TLRX	2001	25MHZ3	2001	SX250TXRZ
1999	S150TXRX	2001	25MLHZ	2001	T25TLRZ
1999	S175TXRX	2001	25MSHZ	2001	T50TLRZ
1999	S200TXRX	2001	30ELHZ	2001	T8PLHZ
1999	S225TURX	2001	30ELRZ	2001	T8PLRZ
1999	S225TXRX	2001	30MLHZ	2001	T8PXHZ
1999	S250TXRX	2001	30MSHZ	2001	T8PXRZ
1999	SX150TLRX	2001	40MJHZ	2001	T9.9ELHZ
1999	SX150TXRX	2001	40MLHZ	2001	T9.9ELRZ
1999	T50TLRX	2001	40TLRZ	2001	T9.9EXHZ
1999	T9.9ELHX	2001	5MSHZ	2001	T9.9EXRZ
1999	T9.9ELRX	2001	70TLRZ	2001	V150TLRZ
1999	T9.9EXHX	2001	8MSHZ	2001	VX150TLRZ
1999	T9.9EXRX	2001	9.9MSHZ	2001	VX200TLRZ
1999	V200TLRX	2001	90TJRZ	2001	VX225TLRZ
1999	V225TLRX	2001	90TLRZ	2001	VZ150TLRZ
2000	115TRY	2001	C40TLRZ	2001	VZ175TLRZ
2000	130TRY	2001	C50TLRZ	2001	VZ200TLRZ
2000	150TRY	2001	C60TLRZ	2001	Z150TLRZ
2000	15MHY	2001	C70TLRZ	2001	Z150TXRZ
2000	175TRY	2001	C90TLRZ	2001	Z175TXRZ
2000	25MHY	2001	DX150TLRZ	2001	Z200TLRZ

TOC

Manifolds-Merc.

Manifolds-OMC

Manifolds-Volvo

Manifolds-Barr

MerCruiser

Merc / Mar / For

OMC / Volvo

Johnson / Evin

Yamaha

Index / X-Ref.

Warranty

YAMAHA OUTBOARDS - ALL YEARS & MODELS (2001-2004)

Year	HP / Model	Year	HP / Model	Year	HP / Model
2001	Z200TXRZ	2002	LZ150TXRA	2003	F4MLHB
2002	115TLRA	2002	LZ200TXRA	2003	F4MSHB
2002	115TXRA	2002	SX150TXRA	2003	F50TLRB
2002	130TLRA	2002	SX200TXRA	2003	F60TJRB
2002	130TXRA	2002	SX225TURA	2003	F60TLRB
2002	150TXRA	2002	SX225TXRA	2003	F6MLHB
2002	15MSHA	2002	SX250TURA	2003	F6MSHB
2002	25MSH3A	2002	SX250TXRA	2003	F75TLRB
2002	25MSHA	2002	T25TLRA	2003	F8MLHB
2002	25MSHA3	2002	T50TLRA	2003	F8MSHB
2002	2MSHA	2002	T8ELHA	2003	F9.9MSHB
2002	30MSHA	2002	T8EXHA	2003	F9.9ELRB
2002	3MSHA	2002	T8PLHA	2003	F9.9MLHB
2002	40TLRA	2002	T8PLRA	2003	F90TJRB
2002	50TLRA	2002	T8PXHA	2003	F90TLRB
2002	5MSHA	2002	T8PXRA	2003	LF115TXRB
2002	60TLRA	2002	T9.9ELHA	2003	LF200TXRB
2002	70TLRA	2002	T9.9ELRA	2003	LF225TURB
2002	8MSHA	2002	T9.9EXHA	2003	LF225TXRB
2002	9.9MSHA	2002	V150TLRA	2003	LX225TXRB
2002	90TLRA	2002	VX200TLRA	2003	LX250TXRB
2002	C40TLRA	2002	VX225TLRA	2003	LZ150TXRB
2002	DX150TLRA	2002	VX250TLRA	2003	LZ200TXRB
2002	F100TLRA	2002	VZ150TLRA	2003	LZ250TURB
2002	F100TXRA	2002	VZ175TLRA	2003	LZ250TXRB
2002	F115TJRA	2002	VZ200TLRA	2003	SX150TXRB
2002	F115TLRA	2002	Z150TLRA	2003	SX200TLRB
2002	F115TXRA	2002	Z150TXRA	2003	SX200TXRB
2002	F15ELHA	2002	Z175TXRA	2003	SX225TURB
2002	F15ESHA	2002	Z200TXRA	2003	SX225TXRB
2002	F15MLHA	2003	115TLRB	2003	SX250TURB
2002	F15MSHA	2003	115TXRB	2003	SX250TXRB
2002	F15PLHA	2003	130TLRB	2003	T25TLRB
2002	F15PLRA	2003	130TXRB	2003	T50TLRB
2002	F200TXRA	2003	150TXRB	2003	T60TLRB
2002	F225TURA	2003	15MSHB	2003	T8ELHB
2002	F225TURA	2003	25MSHB	2003	T8EXHB
2002	F225TXRA	2003	40TLRB	2003	T8PLHB
2002	F25ELHA	2003	50TLRB	2003	T8PLRB
2002	F25ELRA	2003	60TLRB	2003	T8PXHB
2002	F25ESHA	2003	70TLRB	2003	T8PXR
2002	F25ESRA	2003	9.9MSHB	2003	T9.9ELHB
2002	F25MLHA	2003	90TLRB	2003	T9.9ELRB
2002	F25MSHA	2003	DX150TLRB	2003	T9.9EXHB
2002	F25TLRA	2003	F115TJRB	2003	V150TLRB
2002	F30TLRA	2003	F115TLRB	2003	VX150TLRB
2002	F40ESRA	2003	F115TXRB	2003	VX200TLRB
2002	F40MJHA	2003	F15ELHB	2003	VX225TLRB
2002	F40MLHA	2003	F15ESHB	2003	VX250TLRB
2002	F40MSHA	2003	F15MLHB	2003	VZ150TLRB
2002	F40TLRA	2003	F15MSHB	2003	VZ175TLRB
2002	F4MLHA	2003	F15PLHB	2003	VZ200TLRB
2002	F4MSHA	2003	F15PLRB	2003	VZ225TLRB
2002	F50TJRA	2003	F2.5MLHB	2003	VZ250TLRB
2002	F50TLRA	2003	F2.5MSHB	2003	Z150TLRB
2002	F60TLRA	2003	F200TXRB	2003	Z150TXRB
2002	F6MLHA	2003	F225TURB	2003	Z175TXRB
2002	F6MSHA	2003	F225TXRB	2003	Z250TURB
2002	F80TJRA	2003	F25ELHB	2003	Z250TXRB
2002	F80TLRA	2003	F25ELRB	2004	115TLRC
2002	F8MLHA	2003	F25ESHB	2004	115TXRC
2002	F8MSHA	2003	F25ESRB	2004	130TLRC
2002	F9.9ELRA	2003	F25MLHB	2004	130TXRC
2002	F9.9MLHA	2003	F25MSHB	2004	150TXRC
2002	F9.9MSHA	2003	F25TLRB	2004	15MSHC
2002	LF115TXRA	2003	F30TLRB	2004	25MSHC
2002	LF200TXRA	2003	F40EJRB	2004	40TLRC
2002	LF225TURA	2003	F40ESRB	2004	50TLRC
2002	LF225TXRA	2003	F40MJHB	2004	60TLRC
2002	LX225TXRA	2003	F40MLHB	2004	70TLRC
2002	LX250TURA	2003	F40MSHB	2004	8MSHC
2002	LX250TXRA	2003	F40TLRB	2004	9.9MSHC

GLM Products, Inc.

YAMAHA OUTBOARDS - ALL YEARS & MODELS (2004-2006)

Year	HP / Model	Year	HP / Model	Year	HP / Model
2004	90TLRC	2004	VX200TLRC	2005	F9.9MSH2D
2004	DX150TLRC	2004	VX225TLRC	2005	F9.9MSHD
2004	F115TJRC	2004	VX250TLRC	2005	F90TJRD
2004	F115TLRC	2004	VZ150TLRC	2005	F90TLRD
2004	F115TXRC	2004	VZ175TLRC	2005	F90TXRD
2004	F115TXRC	2004	VZ200TLRC	2005	FMMLHD
2004	F115TXRC	2004	VZ225TLRC	2005	LF115TXRD
2004	F150TLRC	2004	VZ250TLRC	2005	LF150TXRD
2004	F150TXRC	2004	VZ300TLRC	2005	LF200TXRD
2004	F15ESHC	2004	Z150TLRC	2005	LF225TURD
2004	F15ESLC	2004	Z175TXRC	2005	LF225TXRD
2004	F15MLHC	2004	Z200TXRC	2005	LZ150TXRD
2004	F15MSHC	2004	Z250TURC	2005	LZ200TXRD
2004	F15PLHC	2004	Z250TXRC	2005	LZ250TURD
2004	F15PLRC	2004	Z300TURC	2005	LZ250TXRD
2004	F2.5MSHC	2004	Z300TXRC	2005	LZ300TURD
2004	F200TXRC	2005	115TLRD	2005	LZ300TXRD
2004	F225TURC	2005	115TXRD	2005	SX200TXRD
2004	F225TXRC	2005	150TXRD	2005	T25TLRD
2004	F25ELHC	2005	15MHSD	2005	T50TLRD
2004	F25ELRC	2005	25MSHD	2005	T60TLRD
2004	F25ESHC	2005	40TLRD	2005	T8ELHD
2004	F25ESRC	2005	50TLRD	2005	T8EXHD
2004	F25MLHC	2005	60TLRD	2005	T8PLHD
2004	F25MSHC	2005	70TLRD	2005	T8PLRD
2004	F25TLRC	2005	8MSHD	2005	T8PXHD
2004	F30TLRC	2005	9.9MHSD	2005	T8PXR
2004	F40TJRC	2005	90TLRD	2005	T9.9ELH2D
2004	F40MJHC	2005	DX150TLRD	2005	T9.9ELHD
2004	F40MLHC	2005	F115TJRD	2005	T9.9ELR2D
2004	F40TLRC	2005	F115TLRD	2005	T9.9ELRD
2004	F4MLHC	2005	F115TXRD	2005	T9.9EXH2D
2004	F4MSHC	2005	F150TLRD	2005	T9.9EXHD
2004	F50TLRC	2005	F150TXRD	2005	V150TLRD
2004	F60TJRC	2005	F15ELHD	2005	VX200TLRD
2004	F60TLRC	2005	F15ESHD	2005	VZ150TLRD
2004	F6MLHC	2005	F15MLHD	2005	VZ175TLRD
2004	F6MSHC	2005	F15MSHD	2005	VZ200TLRD
2004	F75TLRC	2005	F15PLHD	2005	VZ225TLRD
2004	F8MLHC	2005	F15PLRD	2005	VZ250TLRD
2004	F8MSHC	2005	F2.5MSHD	2005	VZ300TLRD
2004	F9.9ELRC	2005	F200TXRD	2005	Z150TXRD
2004	F9.9MLHC	2005	F225TURD	2005	Z175TXRD
2004	F9.9MSHC	2005	F225TXRD	2005	Z200TLRD
2004	F90TJRC	2005	F25ELHD	2005	Z200TXRD
2004	F90TLRC	2005	F25ELRD	2005	Z250TURD
2004	LF115TXRC	2005	F25ESHD	2005	Z250TXRD
2004	LF150TXRC	2005	F25ESRD	2005	Z300TURD
2004	LF200TXRC	2005	F25MLHD	2005	Z300TXRD
2004	LF225TURC	2005	F25MSHD	2006	115TLR
2004	LF225TXRC	2005	F25TLRD	2006	115TXR
2004	LZ150TXRC	2005	F30TLRD	2006	150TXR
2004	LZ200TXRC	2005	F40EJRD	2006	15MSH
2004	LZ250TURC	2005	F40MJHD	2006	15PLH
2004	LZ250TXRC	2005	F40MLHD	2006	25MSH
2004	LZ300TURC	2005	F40MSHD	2006	40TLR
2004	LZ300TXRC	2005	F40TLRD	2006	50TLR
2004	SX150TXRC	2005	F4MLHD	2006	60TLR
2004	SX200TXRC	2005	F4MSHD	2006	70TLR
2004	T25TLRC	2005	F50TLRD	2006	8MSH
2004	T50TLRC	2005	F60TJRD	2006	9.9MSH
2004	T60TLRC	2005	F60TLRD	2006	90TLR
2004	T8ELHC	2005	F6MLHD	2006	F115TJR
2004	T8EXHC	2005	F6MSHD	2006	F115TLR
2004	T8PLHC	2005	F75TLRD	2006	F115TXR
2004	T8PLRC	2005	F8MLHD	2006	F150TLR
2004	T8PXHC	2005	F8MSHD	2006	F15ELH
2004	T8PXR	2005	F9.9ELR2D	2006	F15ESH
2004	T9.9ELRC	2005	F9.9ELRD	2006	F15MLH
2004	T9.9EXHC	2005	F9.9MLH2D	2006	F15MSH
2004	V150TLRC	2005	F9.9MLHD	2006	F15PLR
2004	VX150TLRC	2005	F9.9MLHR2D	2006	F2.5MSH

TOC

Manifolds-Merc.

Manifolds-OMC

Manifolds-Volvo

Manifolds-Barr

MerCruiser

Merc / Mar / For

OMC / Volvo

Johnson / Evin

Yamaha

Index / X-Ref.

Warranty

GLM Products, Inc.

YAMAHA OUTBOARDS - ALL YEARS & MODELS (2006)

Year	HP / Model	Year	HP / Model	Year	HP / Model
2006	F200TXR	2006	Z175TXR		
2006	F225TUR	2006	Z200TLR		
2006	F225TXR	2006	Z200TXR		
2006	F250TUR	2006	Z250TXR		
2006	F250TXR	2006	Z300TRU		
2006	F25ELH	2006	Z300TXR		
2006	F25ELR				
2006	F25ESH				
2006	F25ESR				
2006	F25MLH				
2006	F25MSH				
2006	F25TLR				
2006	F30MSH				
2006	F30TLR				
2006	F40EJR				
2006	F40MJH				
2006	F40MLH				
2006	F40TLR				
2006	F4MLH				
2006	F4MSH				
2006	F50TLR				
2006	F60TJR				
2006	F60TLR				
2006	F6MLH				
2006	F6MSH				
2006	F75TLR				
2006	F8MLH				
2006	F8MSH				
2006	F9.9ELR				
2006	F9.9ELR2				
2006	F9.9MLH				
2006	F9.9MLH2				
2006	F9.9MSH				
2006	F9.9MSH2				
2006	F90TJR				
2006	F90TLR				
2006	F90TXR				
2006	LF115TXR				
2006	LF150TXR				
2006	LF200TXR				
2006	LF225TUR				
2006	LF225TXR				
2006	LF250TUR				
2006	LF250TXR				
2006	LZ150TXR				
2006	LZ200TXR				
2006	LZ250TXR				
2006	LZ300TRU				
2006	LZ300TXR				
2006	T25TLR				
2006	T50TLR				
2006	T60TLR				
2006	T8ELH				
2006	T8EXH				
2006	T8PLH				
2006	T8PLR				
2006	T8PXH				
2006	T8PXR				
2006	T9.9ELH				
2006	T9.9ELH2				
2006	T9.9ELR				
2006	T9.9ELR2				
2006	T9.9EXH				
2006	T9.9EXH2				
2006	V150TLR				
2006	VZ150TLR				
2006	VZ175TLR				
2006	VZ200TLR				
2006	VZ225TLR				
2006	VZ250TLR				
2006	VZ300TLR				
2006	Z150TXR				



GLM Products, Inc.

INDEX - No. 01056 thru No. 11840

GLM	Page(s)	GLM	Page(s)	GLM	Page(s)
01056	17, 21, 23, 27, 29, 31, 103, 124	11092	79, 81, 91, 183	11398	339, 357
01070	31, 97-99, 103, 255, 271	11100	85, 91	11405	81, 83, 85, 92, 175, 190
01071	44, 54, 97-98, 100, 103	11110	85, 95	11406	258, 265, 273, 343
01073	15, 17	11120	79, 83, 95	11408	265, 267, 343, 357
01080	124, 311	11130	69, 77, 446	11410	81, 83, 85, 92-93, 171, 173, 175, 189-
01090	38-44, 46, 48, 50-51, 53-54, 56, 255, 271	11131	65, 67, 77		190, 265, 267, 279, 281, 343, 347, 357, 363
01100	15, 17, 21, 23, 27, 29, 31, 40-41, 43-44, 46, 50-51, 53-54, 56, 97-99, 103, 124	11140	79, 81, 95, 175, 192-193	11412	171, 189
01200	42, 46	11151	173, 189-190	11416	333, 356
02187	109	11152	173, 189-190	11420	81, 83, 85, 92-93, 171, 173, 175, 189-190
02190	109	11153	171, 189	11422	333
02191	109	11154	253, 257	11423	335, 363
02192	109	11155	81, 83, 85, 95, 171, 175, 189-190	11424	329
02195	109	11156	167, 189	11425	329
02196	109	11160	171, 192	11426	165, 189
02197	109	11161	173, 192	11427	167, 169, 189
02199	109	11162	173, 192	11428	165, 167, 169, 189
04092	388	11163	173, 192	11429	192
04095	388	11164	171, 192	11430	173, 190, 333, 337, 363
05009	65, 67, 100-101, 111-114	11165	167, 192	11440	183-184
06210	114	11166	192	11442	182-183
06220	114	11167	169, 192	11444	182-183
07400	108-109	11170	253, 257	11450	173, 183-184
08110	108	11180	173, 186	11452	167, 182-183
08742	108	11182	171, 185	11454	165, 182-183
08743	108	11184	167, 169, 171, 185	11460	173, 183-184
10561	368	11185	171, 185	11462	167, 182-183
10562	197, 368	11186	165, 185	11464	165, 182-183
10563	368	11187	167, 185	11470	184
10991	67	11188	169, 185	11480	184
11012	81, 83, 91, 173, 175	11190	81, 83, 85, 96, 171, 173, 175, 177, 192-	11490	184
11013	81, 83, 91, 175, 183-184, 311		193, 265, 268, 279, 282, 339, 341, 343,	11500	106
11020	85, 91	11191	345, 347, 362	11510	106
11030	81, 83, 85, 96, 175, 186	11192	96	11520	106
11033	173	11192	165, 167, 169, 192, 333, 335, 337	11530	106
11034	171, 185	11194	429, 431, 435, 437	11532	106
11036	171, 185	11210	65, 69, 72-73	11550	182-184
11038	367-368	11212	72-73	11552	182-183
11039	337, 339, 341, 354	11214	67, 72-73	11555	182-184
11040	81, 83, 85, 96	11215	72-73	11556	182-184
11041	367-368	11216	72-73	11557	182-184
11042	367-368	11217	72-73	11560	171, 182-184
11043	367-368	11220	65, 69, 72-73	11562	169, 182-183
11044	367-368	11222	67, 72-73	11565	171, 182-184
11045	368	11225	72-73	11566	182-184
11046	165, 185	11226	72-73	11567	182-184
11047	165, 167, 185	11227	72-73	11570	171, 182-184
11048	169, 185	11230	65, 69, 72-73	11572	169, 182-183
11049	185	11233	67, 72-73	11575	171, 182-184
11050	81, 83, 85, 91, 169, 171, 173, 175, 177, 185-186	11235	72-73	11576	182-184
11051	333, 335, 350, 354	11236	72-73	11577	182-184
11052	265-266, 279-280, 337, 339, 341, 343, 345, 347, 350-351, 354-355	11237	72-73	11610	107-108, 110
11053	367-368	11240	65, 69, 72-73	11620	108, 110
11054	368	11244	67, 72-73	11660	182, 184
11055	265, 267, 279, 343, 345, 355	11245	72-73	11665	182, 184
11056	275, 277	11246	72-73	11670	173, 182, 184
11058	368	11247	72-73	11675	173, 182, 184
11059	173, 186	11300	91	11680	173, 182, 184
11060	81, 83, 85, 91, 173, 175, 183, 186, 188	11312	91, 184	11685	173, 182, 184
11061	171, 173, 182, 185-187	11313	91, 183	11700	183-184
11062	173, 182-183, 186-188	11330	182	11710	173, 175, 183-184
11063	169, 171, 182, 185-187	11340	173, 182	11720	173, 175, 183-184
11064	173, 175, 183, 186-188	11350	173, 182	11730	184
11065	167, 185-186	11360	173, 182	11740	184
11066	165, 185-186	11370	167	11750	184
11070	83, 85, 124, 173, 199	11380	85, 92-93, 173, 188	11770	182, 184
11071	81, 124, 171, 175, 177	11381	81, 83, 87, 92, 175, 188	11780	173, 182, 184
11080	83, 85, 92, 167, 173	11382	167	11790	173, 182, 184
11081	357	11388	258, 322, 341	11800	178, 180-181
11091	79, 81, 83, 91, 175, 184	11390	337	11810	178, 180-181
		11392	341, 357	11820	178, 180-181
		11394	165, 169	11830	178-180
		11396	173	11840	178, 181

GLM Products, Inc.

INDEX - No. 11850 thru No. 12511

GLM	Page(s)	GLM	Page(s)	GLM	Page(s)
11850	178-179	12115	122	12302	414-415, 449-450
11860	178-179	12116	123	12303	449-450
11870	178-179	12118	122-123	12304	451
11900	185-187	12120	82-83, 123	12305	161
11910	185-187	12121	177, 200	12306	160-161, 200
11920	186-188	12122	158-159, 176, 200	12310	85, 123-124
11930	186-188	12124	200	12311	123-124
11940	185-186	12126	164-165, 200	12320	83, 123-124, 173
11950	185-186	12127	406-407, 448, 450	12322	123-124
11960	185-186	12129	448, 450	12330	123-124
12000	370, 373-374	12130	123	12333	123-124
12010	200	12131	451	12341	81, 96, 123, 175
12011	200	12150	200	12342	171
12012	200	12180	166-167, 200	12352	169
12013	176-177, 200	12181	370	12358	165
12014	162-163, 200	12190	274-275, 290	12366	177
12020	200	12191	274-275, 290	12390	275, 290
12030	167, 200	12200	69, 77	12391	261, 289
12043	80-81, 123, 170-171, 200	12202	69, 77	12395	339, 341, 343, 347, 371, 373-374
12044	168-169, 200	12210	370, 373	12399	371
12045	164-165, 200	12232	370, 373	12400	337, 371, 373
12050	370, 372	12233	370, 373	12402	441, 452
12051	160-161, 200	12235	370, 373	12405	261, 289
12052	449-450	12237	414-415, 448, 450	12406	439, 452
12054	428-429	12238	448, 450	12410	83, 85, 124, 173
12059	410-411, 448, 450	12239	450	12413	81
12060	370, 372	12240	370, 373	12414	80-81, 123, 170-171, 174-175, 200, 449
12063	438-439, 449, 451-452	12244	23, 25, 27, 29, 370, 373	12415	175, 177
12064	416-417, 449-450	12245	370, 373	12416	171
12065	370, 372	12246	370, 373	12417	169
12066	402-403, 449-450	12247	370, 372	12419	428-437, 448
12067	428-429, 449, 451	12248	440-441, 448, 452	12420	167
12068	434-435, 449, 452	12249	432-433, 448, 452	12423	163
12069	430-431, 436-437, 449, 451-452	12250	166-167, 200	12424	161
12070	195, 370, 372	12252	373	12426	164-165, 200
12072	370, 373-374, 407, 425, 442	12255	370, 372	12428	159
12073	370	12258	434-435, 449, 452	12430	339, 341, 343, 345, 371, 373-374
12074	429, 431, 433, 435, 437, 451-452	12259	432-433, 449, 452	12433	159
12075	449, 451	12260	200	12434	159
12076	411, 450	12261	434-435, 448, 452	12436	325, 371-372
12077	100-101, 429	12262	430-431, 436-437, 448, 451-452	12437	401
12078	425, 451	12263	434-435, 448, 452	12440	331, 371-372
12079	419, 450-451	12265	438-439, 448, 451-452	12443	427, 451
12080	123	12266	412-413, 448, 450	12445	403, 450
12082	123	12267	448, 450	12446	417, 421, 450
12083	123	12268	448, 450	12447	423, 450-451
12084	123	12269	448, 450	12448	400-401, 450
12085	123	12270	158-159, 200	12449	401
12086	428-429	12271	158-159, 200	12450	335, 371, 373
12087	402-403, 448, 450	12272	412-413, 449-450	12451	413, 450
12088	122	12273	449-450	12452	409, 450
12089	440-441, 449, 452	12275	426-427, 449, 451	12453	407, 450
12091	289	12276	418-419, 449-451	12454	415, 450
12092	289	12277	404-405, 449-450	12455	405, 450
12093	122	12278	400-401, 449-450	12457	450
12094	170-171, 200	12279	420-421, 449-450	12458	451
12095	168-169, 200	12280	123, 172-173, 200	12460	327, 371-372
12096	170-171, 174-175, 200	12281	400-401, 448, 450	12470	329, 371-372
12097	122	12282	424-425, 449, 451	12472	329, 371, 373
12100	166-167, 200	12283	423, 449-451	12474	371-372
12101	370, 373-374	12285	408-409, 449-450	12480	333, 371, 373
12102	370, 373-374	12286	428-429, 449, 451	12482	333, 371, 373
12103	370	12287	416-417, 448, 450	12490	163
12104	370, 373-374	12288	420-421, 448, 450	12494	161
12105	370	12289	418-419, 448, 450-451	12495	401
12106	370	12290	82-85, 123, 172-173, 200	12500	81, 124, 171, 175, 177
12107	162-163, 200	12291	422-423, 448, 450-451	12505	165
12108	370, 372	12293	424-425, 448, 451	12506	169
12110	84-85, 123	12295	426-427, 448, 451	12508	405, 450
12111	122-123	12296	428-429, 448, 451	12509	415, 450
12112	122-123	12297	428-429, 448, 451	12510	83, 85, 124, 173
12114	122	12298	448, 451	12511	431, 437, 451-452

GLM Products, Inc.

INDEX - No. 12512 thru No. 12908

GLM	Page(s)	GLM	Page(s)	GLM	Page(s)
12512	413, 450	12708	71, 78, 116	12821	85, 124
12513	425, 451	12710	81, 87, 89, 116, 175, 177, 193, 195-196	12822	83, 85, 96
12514	423, 450-451	12711	65, 67, 105, 116	12824	81, 124
12515	401, 450	12712	71, 116	12825	81, 124
12516	450	12713	100-101, 116	12827	339, 345
12517	403, 450	12716	177, 446	12829	65, 67
12518	429, 451	12717	116, 193-195	12830	83, 85, 124, 173
12519	435, 451-452	12718	116, 193-196, 366	12831	65, 67, 77
12520	167	12720	193, 196	12832	81, 87, 111-113
12521	451	12722	80-81, 116	12833	83, 124, 173
12522	429, 451	12724	86-87, 116	12834	81, 96, 124, 175, 177, 193
12523	427, 451	12726	86-89, 116	12836	161
12524	419, 450-451	12727	116, 366	12837	159, 161
12526	409, 417, 421, 450	12728	116, 366	12838	171, 175
12527	411, 450	12729	116	12839	429, 431, 433, 435, 437
12528	441, 452	12730	327, 366	12841	446
12529	435, 452	12733	366	12842	446
12531	439, 452	12734	116	12843	446
12533	407, 450	12735	446	12844	446
12540	159	12736	366	12845	446
12544	123	12737	265, 287, 337, 339, 341, 343, 345, 366	12846	446
12545	123	12738	335, 366	12847	446
12551	333, 337, 371, 373	12739	366	12848	446
12553	433, 452	12740	116	12849	446
12555	325, 371-372	12741	446	12850	290
12556	451	12742	333, 366	12851	290
12564	371-372	12743	446	12852	290
12570	339, 341, 343, 345, 347	12744	446	12854	312
12580	343, 345, 347, 371, 373-374	12745	446	12855	446
12590	275, 290	12748	446	12856	446
12600	371-372	12749	446	12857	366, 446
12610	327, 371-372	12750	116	12858	446
12620	335, 371, 373	12754	82-85, 116	12859	446
12630	329, 371-373	12756	87, 116	12860	167
12640	331, 371-372	12758	116	12861	446
12661	251, 256, 261, 263	12760	261, 289	12862	425, 451
12662	251, 256, 261, 263	12761	325, 366	12863	439, 441
12663	65, 67	12762	366	12864	409, 417, 421, 423, 450-451
12664	65, 67	12763	366	12865	403
12670	83, 85, 116, 167, 171, 175, 193-196, 446	12765	89, 116	12866	405, 450
12671	195	12772	287	12867	439, 441-442
12672	108, 111-112, 116	12773	279, 287	12868	411, 450
12675	171, 173, 175, 177, 193-196, 446	12774	265, 287	12869	442
12676	165, 193-194	12775	240, 287	12870	429, 431, 433, 435, 437, 451-452
12678	163	12776	265, 279, 287, 335, 337, 339, 341, 343, 345, 366	12871	429
12680	193, 196			12872	427, 451
12681	253, 287, 312	12777	253, 312	12873	413, 419, 450-451
12682	287	12778	312	12874	419
12683	287, 366	12780	312	12875	409, 415, 417, 419, 421, 423, 425, 427, 442
12684	446	12781	307, 312		
12685	446	12782	312	12876	401, 450
12686	446	12783	307, 312	12877	401, 442
12687	446	12784	71-72, 307, 312	12879	439, 441, 452
12688	446	12785	307, 312	12880	339, 341, 371
12689	446	12786	312	12881	446
12690	193-196	12787	307, 312	12882	446
12691	23, 27, 29	12788	307, 312	12883	446
12692	23, 27	12789	312	12884	446
12693	29	12805	415, 450	12885	446
12694	29	12807	407, 450	12886	446
12695	366	12808	429, 431, 433, 435, 437, 439, 441	12887	446
12696	366	12809	403, 450	12891	88-89, 116
12697	329, 366	12810	83, 85, 124, 173	12892	287
12698	271, 287	12811	343, 345, 347, 371, 373-374	12893	287
12699	255, 287, 312	12812	329, 331, 371-373	12894	312
12700	100, 116	12813	327, 371-372	12895	312
12702	81, 83, 116	12814	335, 371, 373	12896	312
12703	107, 111-112, 116	12815	333, 337, 371, 373	12897	312
12704	108, 113, 116	12816	371-372	12898	312
12705	116, 193-195, 366	12817	159	12899	312
12706	116, 193-195, 366	12818	325, 371-372	12907	161, 193-194
12707	116, 193-196, 366	12820	83, 85, 124, 173	12908	193-194

TOC

Manifolds-Merc.

Manifolds-OMC

Manifolds-Volvo

Manifolds-Barr

MerCruiser

Merc / Mar / For

OMC / Volvo

Johnson / Evin

Yamaha

Index / X-Ref.

Warranty

GLM Products, Inc.

INDEX - No. 12915 thru No. 14610

GLM	Page(s)	GLM	Page(s)	GLM	Page(s)
12915	89	13250	117	13993	38, 48, 56
12917	177	13251	368	14010	207, 210-211
12918	193-194	13260	366	14020	210-211
12920	71, 78	13270	366	14030	207, 210-211
12921	312	13280	366	14050	207, 210-211
12930	65, 67, 71, 78	13290	366	14070	208, 210
12933	312	13310	366	14080	208, 210
12938	312	13312	453	14090	208, 210
12940	335	13320	449, 453	14110	209, 212
12944	176-177, 193	13321	449, 453	14115	209, 212
12945	176-177, 193	13330	366	14120	209, 212
12947	193	13340	197-198	14125	209, 212
12948	312	13350	366	14130	209, 212
12950	337	13360	197-198	14135	209, 212
12960	265, 268	13370	118-119	14140	209, 212
12961	265, 268	13380	118-121	14145	209, 212
12962	265, 268	13381	288	14150	209, 212
12963	159	13390	118-121	14155	209, 212
12965	65, 67	13420	118-119	14160	209, 212
12966	65, 67	13421	118	14165	209, 212
12967	100-101	13430	288	14170	377, 379-380
12972	312	13431	288	14171	207, 210
12973	312	13440	288	14180	377, 379-380
12974	312	13441	288	14181	207, 210
12975	312	13450	366	14190	377, 379-380
12976	312	13490	197-198	14210	207, 210-211
13010	197, 366-367	13520	117, 120-121	14220	207, 210-211
13012	449, 453	13530	117, 119-120	14230	207, 210-211
13015	449, 453	13540	117, 119-121	14240	144, 151, 209, 212, 247
13020	118-119, 288, 453	13550	117, 119-121	14241	143, 207, 210
13022	288	13570	367-368	14250	143, 209, 212
13025	288	13580	368	14251	207, 210
13028	288	13610	197	14260	209, 212
13030	118-121, 288	13620	197-198	14261	207, 210
13040	21, 118-119	13700	117, 119-121	14270	209, 212
13041	288	13710	117, 119-121	14275	209, 212
13045	288	13720	368	14280	212
13060	288	13730	368	14285	209, 212
13065	288	13800	197-198	14290	209, 212
13070	288	13801	197	14295	209, 212
13080	118-119, 366	13802	197	14300	454-455
13100	118-121	13803	197	14301	454-455
13101	118-121	13805	197	14302	454-455
13110	366	13806	197	14303	454-456
13120	197	13808	197	14304	454-456
13121	197-198	13809	197	14305	454-456
13122	197-198	13810	197-198	14310	209, 212
13123	197-198	13811	197	14315	209, 212
13124	197-198	13812	197	14320	209, 212
13130	366	13815	197	14325	209, 212
13140	197	13816	197	14330	209, 212
13141	197-198	13817	197	14335	209, 212
13142	197	13821	197	14340	209, 212
13143	197	13822	197	14345	209, 212
13144	197	13823	197	14350	209, 212
13150	366-367	13824	197	14355	209, 212
13170	366	13825	197	14360	209, 212
13180	366	13830	21	14365	209, 212
13190	366	13930	21	14370	207, 210
13200	197	13940	21	14380	207, 210
13201	197-198	13960	17, 23, 25, 27, 29, 58-60	14390	207, 210
13220	117, 119-121, 129	13970	38, 40-41, 43, 48-53	14410	209, 212
13221	117, 453	13980	15, 17, 19	14420	209, 212
13230	117, 119-121	13982	40-41, 44, 49-52, 54	14430	209, 212
13231	117, 119-121	13983	40-41, 44, 49-52, 54	14440	209, 212
13232	117	13984	15, 17, 23, 25, 27, 29, 58-60	14450	209, 212
13233	117	13985	41, 44, 51, 54	14460	209, 212
13234	117	13986	21, 58-60	14470	208, 210-211
13235	117	13990	23, 25, 27, 29	14480	197, 208, 210-211
13236	117	13991	23, 25, 27, 29	14490	208, 210-211
13237	117	13992	15, 17, 19, 23, 25, 27, 29, 40-41, 44,	14600	377, 379-380
13240	367-368		49-52, 54	14610	377, 379-380



GLM Products, Inc.

INDEX - No. 14620 thru No. 21422

GLM	Page(s)	GLM	Page(s)	GLM	Page(s)
14620	377, 379-380	19000	62-63, 69	21139	339, 341, 343, 345, 362
14630	377, 379-380	19100	62-63	21140	97-98, 105
14640	377, 379-380	19190	62	21144	105
14650	377, 379-380	19200	62-63	21150	173, 186
14660	208, 211	19290	62	21160	39, 114-115
14670	208, 211	19300	62-63	21161	83, 85, 96, 167
14680	208, 211	19310	102, 105	21162	102
14760	208, 210-211	19320	102, 105	21163	117
14770	208, 210-211	19326	102, 105	21164	100-101
14780	208, 210-211	19340	102, 105	21169	171, 173, 175, 177, 193
14790	207, 210	19350	102, 105	21170	69, 83, 85, 89, 97-99, 101, 112-113, 115, 261
14800	207, 210	19354	15, 17, 19, 38, 48	21180	83, 85, 96, 100-101, 167, 173, 251, 255, 265, 268, 271, 279
14810	212	19360	134	21190	83, 85, 173
14820	212	19390	62	21200	81, 83, 85, 87, 95, 171, 173, 175
14830	212	19400	62-63	21211	445
14840	212	19500	62-63	21220	165, 167, 169, 190
14850	212	19600	62-63	21221	445
14860	212	19700	62-63	21222	445
14870	212	19800	62-63	21223	445
14880	212	19900	62-63	21224	445
14910	208, 210-211	20100	62-63	21225	445
14911	208, 210	20200	62-63	21230	83, 85, 87, 95, 171, 173
14920	208, 210-211	20300	62-63	21231	445
14921	208, 210	20400	62-63	21232	163, 190
14930	208, 210-211	20500	62-63	21233	445
14931	208, 210	20600	62-63	21240	165, 167, 169, 190
14940	208-211	20700	62-63	21241	445
14950	208-211	20800	62-63	21242	163, 190
14960	208-211	20900	62-63	21243	161, 190
14970	209, 212	21010	83, 85, 96	21245	265, 268
14980	209, 212	21015	81, 96	21246	23
14990	209, 212	21016	96	21248	15, 17, 19, 21, 23, 25, 27, 29, 38, 40-42, 44, 48, 50-51, 54, 58-60
15100	122, 289	21017	96	21249	39
15120	290	21018	175, 186	21250	81, 95, 175
15201	122, 289	21019	165	21251	445
15301	122, 289	21020	167, 173, 185-186	21253	445
16005	100-101, 103	21022	169, 185	21254	445
16100	213-216	21024	171, 185	21255	445
16110	213-214	21030	83, 85, 95	21260	190
16120	213, 215-218	21031	81, 95	21261	445
16130	213, 215-217	21032	265, 268	21262	445
16140	213-216	21033	265, 268	21281	190
16150	213, 215-218	21043	102	21282	161, 190
16160	213, 215-217	21045	102, 105	21285	190
16170	213, 218	21050	102, 105	21286	190
16185	213, 217-218	21060	105	21290	165, 167, 169, 189-190
16190	213-215	21070	105	21295	190
16200	213, 215-218, 381, 383, 445	21080	105	21300	95
16210	213, 215-218	21090	105	21301	81, 83, 85, 87, 95, 173, 175, 189
16220	381, 383	21091	167, 169, 185	21303	163, 190
16230	381, 383	21100	114-115	21305	95
16240	381, 383	21101	173	21306	190
16250	213, 216-218	21102	173, 186	21307	190
16260	213, 217-218	21103	173, 186	21310	115
16300	265, 267, 279, 281, 337, 339, 341, 343, 347, 356-357, 363	21104	173, 175, 177, 186	21320	167
16310	266, 279-280, 337, 339, 341, 356-357, 363	21105	337, 339, 341, 354	21321	163
16320	337, 363	21106	165, 185	21330	83, 85, 173
16330	265, 269, 279, 281, 339, 341, 343, 345, 347, 362-363	21107	167, 169, 185	21350	171, 189
16340	265-266, 279, 343, 345, 357, 363	21110	92, 188	21360	81, 83, 85, 87, 95, 173, 175
16350	333, 356, 363	21112	167	21370	112, 115
16360	333, 356, 363	21120	81, 83, 85, 87, 92-93, 173, 175, 177, 188	21380	112, 115
16370	333, 363	21130	114-115	21390	115
16410	213-215	21131	81, 83, 85, 91, 171, 173, 175, 177, 185-186	21400	112, 115
16420	213, 216-218	21132	83, 85	21410	112, 115
17000	62	21133	333, 350, 354	21413	83, 85
18000	62, 79, 83	21135	265-267, 279-281, 337, 339, 341, 343, 345, 347, 350-351, 354-355	21418	105
18001	79	21136	81, 96, 167, 169, 171, 173, 185-186	21419	97, 105
18100	62, 79	21137	265, 267, 279, 281, 343, 355	21420	98, 105
18190	62, 79	21138	265, 279, 335, 337, 339, 341, 343, 345, 354-355	21421	69, 98, 105
18300	62, 79			21422	69, 98

TOC

Manifolds-Merc.

Manifolds-OMC

Manifolds-Volvo

Manifolds-Barr

MerCruiser

Merc / Mar / For

OMC / Volvo

Johnson / Evin

Yamaha

Index / X-Ref.

Warranty

GLM Products, Inc.

INDEX - No. 21423 thru No. 22185

GLM	Page(s)	GLM	Page(s)	GLM	Page(s)
21423	69, 78	21640	114-115	21780	102
21424	111, 115	21641	337, 356, 363	21790	100-101, 103
21425	111, 115	21642	265-267, 279-281, 339, 341, 343, 347,	21791	42, 100-101, 103
21426	134		357, 363	21800	83, 85, 96
21427	329	21643	337, 363	21813	102, 105
21430	102, 105	21644	266, 279-280, 337, 339, 341, 356-357, 363	21820	67, 81, 92-93, 171, 173, 175, 183-184,
21432	102, 105, 269, 271	21645	265, 269, 279, 281, 339, 341, 343, 345,		189-190
21433	102, 105, 269, 271		347, 362-363	21830	173, 184, 190
21434	269, 271	21646	265-266, 279, 343, 345, 357, 363	21840	92-93, 213, 219-220
21435	269-271	21647	333, 356, 363	21842	311
21450	102, 105	21648	333, 356, 363	21843	311
21451	102, 105	21649	333, 363	21851	100-101, 104
21453	102, 105	21650	114-115	21860	213, 220-222, 381
21455	269-271, 284	21651	265-267, 280, 343, 351, 357	21870	83, 85, 96
21462	102, 105	21653	171, 189	21874	43, 53
21463	102, 105	21654	345, 357	21880	83, 85, 96
21465	185, 197, 271	21656	442	21885	257, 265, 279, 339, 343
21466	271	21657	429, 431, 435, 437	21887	15, 17, 19, 38, 48
21470	105	21658	367-368	21889	23, 25, 27, 29, 44, 54
21480	113, 115	21659	339	21890	69, 78
21481	113, 115	21660	112, 115	21892	17, 23, 27, 29, 58-60
21489	89	21661	134	21893	17, 23, 25, 27, 29, 97
21490	83, 85, 163, 165, 167, 173, 185, 193,	21662	21, 89	21894	21
	265, 268, 279, 405	21664	15, 17, 19, 38, 48	21895	23, 27, 29
21491	81, 87, 111-113, 134, 327, 329	21665	173	21896	23, 25, 27, 29, 40-44, 50-51, 53-54, 101
21492	275-276, 283, 285-286	21666	97-99	21899	25, 27
21493	17, 23, 25, 27, 29, 39, 42	21668	109	21906	100-101, 104, 255-256, 269, 271
21494	39	21670	112-113, 115	21910	115
21495	21	21671	113, 115	21920	115
21496	21, 39, 271	21672	111, 115	21930	109-110
21510	65, 69, 76	21673	347	21940	109
21511	65, 67, 69, 76-77, 335, 363	21674	265, 279, 333, 339, 341, 343, 345	21950	98, 103-104
21512	87, 89, 92-93, 253, 257, 283, 285	21675	17, 117	21951	98, 103-104
21520	65, 69, 76	21676	261-262	21960	97, 103-104
21522	67, 76	21677	109, 339, 343, 345	21962	269-271
21525	71, 76	21678	265, 279, 339, 341, 343, 345	21963	254-256
21530	69	21679	265	21965	99, 101, 103-104
21540	65, 67, 69, 76, 93, 261-263	21710	102, 105	21970	100-101, 111-114
21541	169, 183, 261-263	21711	102, 105	21980	110, 114
21542	261-263	21715	269, 271	21981	109-110
21543	261, 263	21720	83, 85, 173, 255, 271, 415, 417, 421	21982	114
21544	275-276	21724	407	21984	109
21545	275-277	21725	49, 52	21990	110
21546	275-277	21726	49, 52	22010	276, 283, 285
21547	275-276	21727	429, 431, 435, 437	22020	275-276
21550	69, 76	21731	71, 81, 83, 85, 87, 89, 96, 161, 163,	22030	275-276, 283, 285
21560	65, 67, 69, 76		165, 167, 169, 171, 173, 175, 253,	22031	69, 78
21570	85, 92-93, 192		257, 265, 275, 279, 282, 286, 325,	22032	69, 78
21580	79, 81, 83, 92-93, 173, 175, 192-193		333, 337, 339, 341, 343, 345	22040	283, 285
21581	87, 89, 92-93, 165, 183, 189, 253, 257	21732	261, 263	22044	335
21582	251, 257	21740	83, 85, 96	22050	274-276, 283-285
21583	251, 257	21741	81, 89, 96, 175, 177, 193	22070	445
21584	81, 92-93	21745	15, 17, 23, 25, 27	22090	445
21585	167, 169, 192	21748	21	22100	69, 98, 359
21586	253, 257	21750	97-98, 105	22110	347, 359
21590	81, 83, 85, 91-93, 175, 184, 190	21751	197	22120	279, 286, 333, 335, 337, 339, 341, 358-360
21591	81, 83, 92-93	21753	38, 42, 48	22130	329, 359-360
21592	87, 89, 92-93	21755	29, 43-44, 53-54	22140	327, 359-360
21593	81, 91-92, 175, 184, 190	21756	19, 33	22141	360
21600	85, 93	21757	38, 48	22142	253, 265, 279, 286-287, 325, 343, 345,
21610	81, 83, 92-93, 173, 175, 177, 192-193,	21760	81, 83, 85, 87, 95, 173, 175		358-359
	265, 268, 279, 282, 343, 345, 347, 362-363	21761	265, 279	22145	279, 281, 333
21611	253, 257	21762	345	22147	100-101
21620	81, 83, 85, 92-93, 173, 175, 190, 429	21763	339, 345	22150	279, 286, 333, 335, 337, 339, 341, 358-360
21621	92-93	21770	113, 115	22160	327, 359-360
21622	213, 221-222	21771	111, 115	22170	329, 359-360
21623	213, 222	21773	251, 256, 261, 263	22176	445
21624	213, 222	21774	337, 341, 356-357	22177	445
21626	213, 220-221	21775	177	22178	445
21627	213, 221-222	21777	311	22179	445
21628	165, 167, 169, 189	21778	311	22180	347, 360
21630	76, 92-93, 167, 183, 189	21779	441	22185	253, 265, 279, 286-287, 343, 345, 358-360



GLM Products, Inc.

INDEX - No. 22186 thru No. 22652

GLM	Page(s)	GLM	Page(s)	GLM	Page(s)
22186	286, 358-359		345, 347, 371	22447	17
22188	287	22361	329	22455	163
22189	287	22362	39, 265, 269, 279, 281, 333, 339, 341,	22458	339
22190	265, 279, 286, 343, 345, 347, 358-360		343, 345, 362	22462	23, 27
22191	445-446	22363	257, 265, 279, 339, 343, 345	22466	25
22192	161, 190	22365	265, 279, 341, 343, 345	22471	265
22194	159	22366	265, 279, 335, 337, 341, 343	22472	265
22195	134	22367	265, 279, 343, 345	22473	279
22199	429, 431, 435, 437	22368	89, 265, 279, 337, 339, 341, 343, 345, 347	22474	23, 27, 29
22200	286, 358-360	22369	265, 279	22475	15
22209	123	22370	327, 339, 341, 343, 345, 347, 367, 371	22479	21
22210	190	22371	265, 279, 339, 341, 343, 345	22481	23, 27, 29, 58-60
22211	190	22373	265, 267, 339, 341, 343, 345, 357	22482	15, 17, 19, 38-39, 48
22213	122-123	22374	339, 343, 345	22483	39
22215	190	22375	161, 265, 268	22484	17, 39
22216	190	22376	39, 117	22486	44, 54
22217	123	22379	23, 27, 29, 40-41, 43-44, 50-51, 53-54	22487	40-42, 50-51
22220	286, 347, 356, 358-360	22380	371	22488	38, 48
22221	253, 257, 265, 279, 286-287, 343, 345,	22381	23, 27, 29	22490	327, 329, 333, 347, 354
	356, 358-360	22384	251, 261-263	22491	265, 267, 279, 335, 343, 345, 355
22222	358-360	22385	261, 289	22492	171
22225	286, 358-359	22386	251, 261, 263	22493	337, 339, 341, 354
22230	279, 286, 337, 339, 341, 356, 358-360	22387	261, 263	22500	381
22235	286, 358-359	22388	265, 268, 271	22502	403, 415, 417, 421, 429
22240	333, 335, 356, 358-360	22390	265, 268	22503	415, 417
22241	358-360	22391	19, 23, 25, 27, 29	22504	423, 429, 431, 433, 435, 437, 439, 441
22242	327, 358-360	22392	333	22505	421
22245	358-359	22393	333	22506	429
22250	279, 286, 333, 335, 337, 339, 341, 358-360	22394	333, 345	22508	409, 425, 427
22252	253, 287	22395	325, 333	22509	427
22255	327, 358-360	22397	21	22510	275-276
22260	329, 358-360	22398	25, 40-41, 43-44, 50-51, 53-54	22512	275-276
22270	358-360	22399	39	22514	275-276
22280	15, 17, 42	22400	329, 335, 337, 356	22515	275, 277
22290	44, 54	22403	345, 362	22516	272-273
22291	423	22404	265, 268	22518	275-276
22292	409	22405	339, 362	22519	272-273
22293	425	22406	265, 268	22520	261-262
22299	251, 256	22407	343, 362	22522	262
22300	265, 279, 341, 347-348, 357	22408	361	22525	261-262
22301	392	22409	341, 362	22530	275-276
22305	134	22410	275, 290	22532	262
22306	111-113	22411	275	22537	272-273
22307	275, 277	22412	275, 277	22538	272-273
22310	275, 277, 282	22413	279-280, 282	22539	272-273
22311	134	22414	265-267, 279-281, 343, 356-357, 359	22540	261-262
22312	134	22415	280, 347	22542	262
22315	38, 48	22416	265-267, 279-281, 341, 356-357, 359	22544	261-262
22317	52	22417	265-267, 343, 345, 356-357, 359	22560	261-262
22318	49, 52	22418	337, 356, 359	22562	262
22320	265, 271, 337, 339, 341, 343, 345, 371	22419	339, 356-357, 359	22567	272-273, 275
22321	327, 371	22420	65, 67, 69, 78, 159, 161, 163, 165, 167,	22568	272-273, 275
22322	335		169, 171, 173, 175, 285, 325, 327, 329,	22570	272-273, 275
22323	371		331, 335, 337, 347	22580	272-273, 275
22324	325, 335, 371	22421	333, 356, 359	22590	272-273, 275
22325	285-286, 371	22422	275	22600	288
22327	275-276, 283, 285, 335, 337, 339, 345	22423	275	22601	288
22328	255, 271, 275, 277	22427	411	22615	352
22329	275, 277, 333, 335	22428	401, 405, 407	22620	280, 351, 353
22330	275-276, 283, 285	22429	413, 419	22621	279-280, 347, 351, 353
22334	89	22430	83, 85, 96	22622	266, 280, 351, 353
22335	329	22431	341, 362	22623	265-266, 279-280, 343, 351, 353
22340	286, 358-360	22432	341, 362	22624	265-266, 279-280, 343, 347, 351, 353
22341	171, 173, 175, 177, 193	22433	341, 345, 362	22625	265-266, 279-280, 322, 343, 345, 347,
22342	171, 193	22434	341, 345, 362		351-353, 355
22350	358-360	22435	339, 343, 362	22630	266, 280, 322, 348, 351-352
22351	325	22436	343, 345, 362	22631	266, 279-280, 339, 341, 351-352
22353	49	22440	65, 67, 69, 77, 100-101, 111-114	22632	266, 279, 339, 341, 351-352
22354	109	22443	15, 17, 19, 33	22633	266, 279-280, 322, 339, 341, 351-354
22355	23, 25, 27, 29, 58-60	22444	49, 52	22650	322, 348, 351-353
22358	161	22445	15, 17	22651	343, 351-353
22360	327, 331, 333, 335, 337, 339, 341, 343,	22446	17	22652	280, 351, 353

TOC

Manifolds-Merc.

Manifolds-OMC

Manifolds-Volvo

Manifolds-Barr

MerCruiser

Merc / Mar / For

OMC / Volvo

Johnson / Evin

Yamaha

Index / X-Ref.

Warranty

GLM Products, Inc.

INDEX - No. 22653 thru No. 24260

GLM	Page(s)	GLM	Page(s)	GLM	Page(s)
22653	343, 351-353	23124	312	23363	251, 261-262
22660	350, 352	23130	303, 309	23364	251, 261-262
22661	333, 350, 352	23140	81, 83, 173, 175, 190, 429	23365	262
22662	333, 350, 352	23141	85	23371	261, 263
22663	333, 350, 352, 354	23150	307, 312	23372	261, 263
22666	259, 266, 272-273, 279-280, 322, 343, 348, 351, 353	23151	307, 312	23373	261, 263
22670	350, 352	23152	312	23374	261, 263
22671	337, 350, 352	23153	312	23375	261, 263
22672	337, 350, 352	23160	307, 312	23376	261, 263
22673	337, 350, 352, 354	23170	303, 309	23381	261-262
22680	350, 352	23171	303, 309	23382	261-262
22681	335, 350, 352	23172	303, 309	23383	261-262
22683	335, 350, 352, 354	23173	303, 309	23431	362
22700	383	23174	303, 309	23510	265, 269, 279, 281, 339, 341, 343, 345, 347, 362
22710	381, 383	23180	303, 309	23530	335
22720	339, 341, 343, 345, 347, 362	23190	303	23540	335
22722	337	23200	81, 83, 96, 173, 175, 177, 192-193	23550	335
22726	337	23201	161	23580	265, 269, 279, 281, 339, 341, 343, 345, 362
22728	335	23202	261-262, 386	23590	265, 269, 279, 281, 339, 341, 343, 345, 362
22730	279, 281	23203	386	23600	337
22732	122	23208	192	23610	337
22734	122	23210	81, 83, 173, 175, 192-193	23620	337
22736	122	23220	81, 83, 85, 173, 175, 190	23710	375, 379
22750	171, 189	23221	81, 171, 175, 189-190	23720	375, 379
22755	383	23222	171, 192	23730	375, 379
22760	171, 189	23223	169, 192	23740	376, 379
22770	92-93	23224	169, 189	23750	376, 379
22780	173, 192	23225	167, 192	23760	376, 379
22800	213, 218, 381, 383	23226	167, 189	23770	376, 379
22810	213, 218, 381, 383	23230	303, 305	23780	376, 379
22820	381, 383	23233	21	23790	376, 379
22840	381	23234	161, 171	23800	378, 380
22850	381, 383	23236	165, 169	23810	378, 380
22855	381, 383	23238	401	23820	378, 380
22860	267, 281-282, 337, 339, 341, 356-357, 363	23240	307, 312	23830	378, 380
22870	265, 267, 279, 281, 333, 337, 339, 341, 343, 345, 356-357, 363	23260	65, 69	23840	378, 380
22880	268, 279, 339, 341, 362-363	23261	65, 67, 69, 77	23850	378, 380
22890	333, 335, 356, 363	23270	65, 67, 69	23910	375, 379
22900	333, 335, 356, 363	23280	65, 67, 69	23920	375, 379
22910	265, 267, 279, 281, 343, 345, 357, 363	23290	85	23930	375, 379
22920	381, 383	23300	85	23940	377, 380
22930	381, 383	23310	276	23950	377, 380
22940	333, 356, 363	23312	275-276	23960	377, 380
22950	265, 267, 343, 357, 363	23314	275-276	24010	377, 379-380
22960	171, 192	23315	275-276	24020	377, 379-380
22980	192	23316	275-276	24030	377, 379-380
23010	303, 309	23320	276	24034	377, 379-380
23011	303, 309	23323	275-276	24040	375, 379
23013	303, 309	23324	275-276	24050	378, 380
23020	303, 309	23325	275-276	24060	375, 379
23030	303, 305	23326	275-276	24070	378, 380
23040	307, 312	23327	275-276	24080	375, 379
23050	307, 312	23328	275-276	24090	378, 380
23055	309	23330	277	24100	378, 380
23060	307, 312	23333	275, 277	24110	375, 379
23070	307, 312, 409, 417, 421, 423, 444, 461	23334	275, 277	24112	375, 379
23080	303	23335	275, 277	24120	378, 380
23090	303, 309	23336	275, 277	24130	375, 379
23091	303, 309	23337	275, 277	24140	378, 380
23092	303, 309	23338	275, 277	24150	378, 380
23093	303, 309	23339	275, 277	24160	378, 380
23094	251	23340	275, 277	24170	378, 380
23100	303, 305	23345	275, 277	24180	378, 380
23110	307	23346	275, 277	24190	378, 380
23111	253, 257	23347	275, 277	24200	378, 380
23112	265	23348	275, 277	24210	377-380
23120	312	23349	275, 277	24220	377-380
23121	312	23350	275, 277	24230	377-380
23122	312	23360	251, 256, 261, 263	24240	375, 379
23123	312	23361	251, 261-262	24250	378, 380
		23362	251, 261-262	24260	375, 379

GLM Products, Inc.

INDEX - No. 24270 thru No. 28060

GLM	Page(s)	GLM	Page(s)	GLM	Page(s)
24270	378, 380	24954	128, 223, 292, 385, 457	26580	107, 110
24280	375, 379	24956	128, 223, 292, 385, 457	26675	193
24290	378, 380	24957	128, 223, 292, 385, 457	26676	193
24300	377, 379-380	24958	128, 223, 292, 385, 457	26677	446
24310	375-376, 379	24959	128, 223, 292, 385, 457	26678	446
24320	375-376, 379	24960	128, 223, 292, 385, 457	26800	193
24330	375-376, 379	24962	128, 223, 292, 385, 457	26810	193
24340	378, 380	24970	293-294	26910	446
24350	378, 380	24980	129, 293-294	26920	446
24360	378, 380	25000	128, 223, 292, 385, 457	26930	446
24370	378-379	25010	128, 223, 292, 385, 457	26940	446
24390	378-379	25011	128, 223, 292, 385, 457	26950	446
24410	375, 379	25020	128, 223, 292, 385, 457	26960	446
24420	375, 379	25030	128, 223, 292, 385, 457	27000	272-273, 275
24430	375, 379	25031	128, 223, 292, 385, 457	27100	272-273
24440	377, 379-380	25110	90	27200	272-273
24450	377, 379-380	25115	90	27300	272-273
24460	377, 379-380	25120	90	27400	272-273
24470	377, 379-380	25125	90	27500	272-273
24480	377, 379-380	25130	90	27700	265, 267, 279, 281, 343, 355
24490	377, 379-380	25135	90	27702	267, 279, 281, 337, 339, 341, 354
24500	378-379	25140	90	27704	354
24520	378-379	25145	90	27710	265, 267, 279, 281, 339, 341, 343, 354-355
24540	376, 379	25150	90	27711	354
24550	376, 379	25155	90	27712	354
24560	376, 379	25190	62, 79	27720	265, 267, 339, 341, 343, 354-355
24570	377, 380	25191	79	27721	279, 281
24580	377, 380	25192	79	27722	354
24590	151, 247, 377, 380	25193	79	27723	354
24600	207	26220	114	27730	265, 267, 279, 281, 335, 337, 339, 341, 343, 345, 354-355
24610	207	26230	114	27740	265, 267, 279, 281, 343, 345, 355
24620	207	26310	114-115	27741	267, 279, 281, 337, 339, 341, 354
24670	207	26320	115	27742	354
24680	207	26330	112, 115	27750	265, 268
24690	207	26340	113, 115	27752	339, 341, 343, 345, 354-355
24700	454-455	26350	111, 115	27754	337, 354-355
24701	455-456	26360	115	27756	335, 354-355
24702	455-456	26380	108, 110	27760	265, 268
24703	455-456	26381	108	27770	265, 269
24704	455-456	26382	108	27780	279, 282
24710	454-455	26383	108	27782	282
24720	454-455	26384	108-109	27786	271
24721	455-456	26385	108	27790	333
24723	455-456	26386	108-109	27800	261-262
24730	454-455	26387	108	27820	275, 277
24732	455-456	26388	108	27830	275
24734	455-456	26389	108	27840	275, 277
24740	454-455	26390	111-113	27850	265, 267, 339, 341, 343, 345, 357
24741	455-456	26391	108	27860	275, 277
24743	455-456	26392	108	27870	279, 281
24750	454-455	26393	108	27880	83, 85, 96, 279, 281
24752	455-456	26400	110, 112	27890	279, 281
24754	455-456	26401	108, 110	27900	261, 263, 289
24760	454-455	26402	108, 110	27920	261-262
24761	454-455	26410	110, 112	27931	282
24762	454-455	26411	108, 110	27940	333, 354-355
24810	129	26412	108, 110	27942	333
24820	386	26420	173, 186	27950	275, 277
24830	386	26430	173, 186	27960	275-276
24840	129, 294	26440	265, 268	27970	275, 277
24841	129, 293-294	26460	110, 113	27980	275, 277
24850	129, 293	26470	110, 113	27990	275, 277
24900	293	26480	112-113, 115	28000	62, 79, 81
24901	293	26490	111, 115	28010	72
24910	293	26500	110, 112	28020	72-73, 303
24930	128, 223, 292, 385, 457	26501	108, 110	28030	65, 67, 69, 71-73, 251, 256, 261, 263, 305
24940	128, 223, 292, 385, 457	26510	110, 112	28040	67, 71-72, 251, 256, 303
24941	128, 223, 292, 385, 457	26511	108, 110	28050	65, 69, 72-73
24942	128, 223, 292, 385, 457	26520	110-111	28060	71-73
24950	128, 223, 292, 385, 457	26521	107, 110		
24952	128, 223, 292, 385, 457	26530	110-111		
24953	128, 223, 292, 385, 457	26531	107, 110		

TOC

Manifolds-Merc.

Manifolds-OMC

Manifolds-Volvo

Manifolds-Barr

MerCruiser

Merc / Mar / For

OMC / Volvo

Johnson / Evin

Yamaha

Index / X-Ref.

Warranty

GLM Products, Inc.

INDEX - No. 28070 thru No. 31190

GLM	Page(s)	GLM	Page(s)	GLM	Page(s)
28070	65, 67, 72-73	28830	272-273	30381	293
28080	67, 72	28840	348	30382	38, 48, 293
28090	71-72	28850	348	30400	241
28100	65, 67, 69, 71-73, 251, 256, 261, 263	28860	259	30410	241
28110	67, 71-72, 251, 256	28862	259	30420	241
28120	79	28870	273	30430	239
28180	230	28880	322-323	30440	143, 302
28190	230	28885	348	30450	239
28200	322-323, 341	29000	62-63, 65	30460	143, 302
28210	322-323	29020	63, 67	30470	143-144, 301
28220	348	29190	62	30490	143, 302
28240	348	29290	62	30500	118-119, 288
28300	65, 67, 69, 77	29390	62	30510	129
28302	72	29490	62	30520	241
28303	72	29900	258-259, 261	30530	143-144, 151, 247, 302
28304	72	29910	258-259	30550	241
28305	72	29911	258-259	30570	240
28310	65, 69, 72-73	29919	258-259	30580	129, 131, 293
28312	67, 72-73	29920	258-259	30600	241
28313	72	29921	258-259	30610	197, 367-368
28314	72	29929	258-259	30620	241
28315	65, 67, 69, 71-73, 251, 256, 261, 263	29930	258-259	30640	241
28316	67, 71-72, 251, 256	29931	258-259	30650	241
28317	251, 256	29939	258-259	30670	240
28318	251, 256	29940	258-259	30680	240
28320	261, 263	29941	258-259	30700	240
28322	67, 72	29949	258-259	30710	240
28323	251, 256	30010	83, 85, 96	30720	85, 124, 197, 241
28325	261, 263	30017	240	30740	239
28328	251, 256	30020	102, 105	30760	197, 241
28330	65, 67, 69, 72	30030	167, 173, 175, 177, 185-186, 445	30770	197, 241
28340	71-73	30040	97-98	30780	241
28345	71-72	30050	241	30800	197, 241
28350	65, 67, 69, 78	30060	241	30820	143
28351	339, 341, 343, 345, 362	30070	241	30830	224
28352	339, 343, 345	30090	81, 124, 171, 175, 177	30850	143-144
28353	339, 343, 345	30100	143, 301	30860	142, 301
28360	65, 67, 69, 72	30110	143, 302	30880	241
28370	65, 67, 69, 74	30120	143, 301	30890	239
28372	71, 74	30160	240	30900	159, 241
28380	65, 67, 69	30170	240	30910	33, 124
28381	67	30180	240	30920	15, 17, 19, 33, 124
28390	65, 67, 69, 78	30190	33, 124	30930	239
28400	69, 77	30200	143	30940	241
28402	65, 67, 77	30220	23, 25, 27, 29, 33, 124	30960	224
28404	261, 263	30231	122, 289	30970	240
28406	261, 263	30240	23, 25, 27, 29, 33-36, 124	30980	240
28408	261, 263	30260	240	30990	240
28410	65, 67, 97-99, 251, 261	30270	240	31010	83, 85, 124, 173
28420	65, 67, 89, 101, 171, 261	30280	241	31020	83, 85, 124, 173
28430	65, 67, 89	30310	241	31040	85, 124
28440	275, 277	30320	171	31050	83, 124, 173
28450	275, 277	30330	240	31060	167
28460	261-262	30340	143-144, 301	31070	167
28470	261-262	30345	142, 301	31100	25, 27, 32, 34-35, 41-42, 51-52, 58, 291
28480	281	30347	142, 301	31101	32, 291
28481	267, 355	30349	142, 301	31105	32
28482	267, 354	30350	143, 301	31130	98
28483	281	30351	142, 144, 301	31141	97-98
28484	354	30353	143, 301	31150	69, 77
28485	354	30354	143, 302	31160	97-98, 104
28500	322-323, 339	30355	100	31170	65, 67, 69, 71, 78, 81, 83, 85, 87, 89, 96, 159, 161, 163, 165, 167, 169, 171, 173, 175, 177, 282, 286, 325, 327, 337
28510	322-323	30356	143-144, 301		251, 253, 257, 265, 275, 279, 285, 329,
28520	348	30357	143, 301		331, 333, 335, 339, 341, 343, 345
28540	348	30358	143, 301	31171	
28600	272-273, 279	30359	143-144, 301		
28700	322-323, 343	30360	143-144, 302	31172	388, 415
28710	322-323	30361	129, 293	31173	275, 277
28720	348	30362	129	31174	386
28800	258-259, 265, 322-323, 343	30363	129	31177	169
28810	322-323	30370	143, 302	31178	161
28820	258-259	30380	129, 131-133, 293	31190	167



GLM Products, Inc.

INDEX - No. 31210 thru No. 33780

GLM	Page(s)	GLM	Page(s)	GLM	Page(s)
31210	163, 165	32010	240	32950	241
31220	161	32030	302	32960	224
31230	161	32040	35, 143, 302	32970	293
31240	81, 124, 171, 175, 177	32050	241	32980	291
31260	224	32060	134, 143	32990	291
31270	224	32070	241	33000	100-101
31280	224	32080	23, 25, 27, 29, 33-36, 124	33010	282
31300	224	32090	240	33020	279, 339, 341, 343, 345, 354-355
31340	118, 288	32100	21, 118-119	33030	291
31350	122, 289	32110	240	33040	301
31360	129, 294	32120	224	33050	275, 285-286
31370	134, 143, 302	32130	129, 131-132, 293	33060	283, 285
31380	122, 289	32140	129, 293	33070	368
31390	142	32150	241	33080	392
31400	240	32160	100-101, 111-114	33090	394
31410	33, 124	32170	23, 25, 32-34, 40, 49-50, 144, 291	33100	386
31420	33, 124	32175	32	33110	388
31430	118-119	32180	15, 17, 129-132, 293	33120	386
31440	32-33, 142, 144, 291	32190	224	33130	386
31450	240	32200	224	33140	386
31460	117-121	32210	143-144, 301	33150	333, 337
31470	114	32220	240	33170	393
31480	33-36, 124	32280	241	33180	394
31490	19, 33, 124	32290	143	33190	392
31500	120, 224	32300	143, 302	33200	355
31510	118-121	32310	239	33220	355
31520	15, 17, 19, 33-35, 124	32320	240	33230	393
31540	129, 131-132, 293	32340	143	33240	393
31550	32-33, 142, 144, 291	32350	224	33250	368
31560	117-121, 288	32360	163	33260	386
31570	19, 32-33, 39, 142, 144, 291, 301	32370	33, 124	33280	393
31580	239	32390	143	33290	368
31590	169	32410	143	33330	39, 291
31591	163	32420	240	33340	291
31600	241	32440	240	33370	388
31620	118-120	32450	240	33400	390-391, 394-395
31630	118-121	32460	21, 33, 124	33410	392
31631	117-118, 121	32470	21, 33, 83, 85, 96, 124	33420	335, 337, 354-355
31640	240	32480	122	33430	392
31650	224	32500	100-101, 111-114	33440	288
31660	17, 19, 129-131, 293	32510	240	33450	355
31670	118-121	32520	240	33460	393
31680	240	32530	240	33470	285-286
31690	224	32540	240	33480	286
31700	105, 129, 294	32560	393	33510	393
31710	21, 32-33, 144, 291	32580	39, 291	33511	331, 355
31720	240	32600	102	33530	393
31730	241	32630	15, 17, 19, 33	33540	390-391, 394-395
31740	293	32640	143, 301	33550	355
31750	142, 144	32650	386	33560	393
31770	122, 289	32680	301	33570	15, 17, 32-33, 142, 144, 291
31780	241	32690	122, 289	33580	15, 32-33, 38, 48, 142, 144, 291, 301
31790	241	32692	325	33590	393
31800	129, 294	32700	118-121	33600	367-368
31810	224	32710	167	33610	394
31820	143-144	32750	129, 294	33620	393
31830	143	32760	197	33630	394
31840	118	32770	224	33640	367, 392
31850	143	32780	240	33650	367-368
31860	224	32790	83, 85, 96	33660	394
31870	240	32800	81, 83, 96, 173, 175, 177, 192-193,	33670	392
31880	241		345, 362	33680	393
31890	240	32820	197	33690	393
31900	122, 289	32830	240	33700	136, 393
31910	241	32840	240	33710	392
31920	240	32841	240	33730	279, 282, 286, 339, 341, 343, 345, 347
31930	241	32850	241	33740	393
31950	240	32860	241	33750	394
31960	241	32870	240	33760	29, 32, 35-36, 43, 53, 59, 291
31970	241	32880	241	33765	32, 136
31980	240	32930	241	33770	38-39, 48, 291
31990	197, 241	32940	241	33780	291

TOC

Manifolds-Merc.

Manifolds-OMC

Manifolds-Volvo

Manifolds-Barr

MerCruiser

Merc / Mar / For

OMC / Volvo

Johnson / Evin

Yamaha

Index / X-Ref.

Warranty

GLM Products, Inc.

INDEX - No. 33790 thru No. 36670

GLM	Page(s)	GLM	Page(s)	GLM	Page(s)
33790	32, 34-35, 44, 54, 60, 144, 291	34650	393	35750	393
33795	32	34690	279, 281	35760	392-393
33810	40-44, 50-51, 53-54, 291	34700	39, 293	35770	392
33820	291	34720	279, 282	35780	392
33830	390-391, 394-395	34730	261, 271	35790	392
33850	390-391, 394	34740	394	35800	394
33860	390-391, 394	34750	285-286	35810	392
33870	391, 394	34760	285-286	35820	390-391, 394
33880	238-239, 459-460	34770	261, 289	35830	390-391, 394-395
33890	238-239, 459-460	34771	261, 263, 289	35840	390-391, 394
33900	285-286	34780	393	35850	238-239, 243-244
33910	261, 263	34790	394	35860	238-239, 244
33920	291	34800	393	35870	238-239, 244
33930	291	34810	283	35880	238-239, 244
33940	301	34820	283	35890	238-239, 244
33950	283, 285	34831	386	35900	238-239, 244
33960	265, 268, 281	34850	393	35910	238-239, 244
33970	265, 268	34860	393	35930	391, 394
33980	355	34870	393	35940	391, 394
34000	368	34880	367, 392	35950	391, 394
34010	390-391, 394	34890	368	35960	391, 394
34030	390-391, 395	34900	459-460	35970	391, 394
34080	388	34910	459-460	35990	390-391, 394-395
34090	386	34920	459-460	36020	390-391, 394
34110	368	34930	459-460	36080	301
34120	355	34940	459-460	36090	301
34130	368	34950	459-460	36100	142, 144, 301
34140	390-391, 394	34960	459-460	36110	142, 301
34150	368	34970	394	36120	142, 144, 301
34180	275, 277	34980	393	36130	142, 144, 301
34200	371	34990	393	36140	142, 144, 301
34220	386	35000	394	36150	142, 144, 301
34230	283	35010	303	36160	142, 301
34240	391, 394	35011	197	36170	142, 144, 301
34250	390-391, 394	35030	291	36180	142
34260	288, 368	35040	291	36190	301
34280	390-391, 394	35060	118, 288	36200	459-460
34290	393	35070	118, 288	36210	459-460
34300	393	35080	49, 52, 291	36220	459-460
34310	393	35090	197	36230	459-460
34320	393	35160	288	36240	459-460
34330	337	35170	288	36250	459-460
34340	393	35180	394	36260	459-460
34350	392	35190	392	36270	459-460
34370	393	35200	393	36280	142, 301
34380	394	35320	394	36290	238-239
34390	394	35330	393	36300	238-239
34400	390-391, 394	35340	392	36310	390-391, 394
34410	327, 329, 355	35350	394	36330	238-239, 242
34420	394	35360	392	36340	238-239, 242
34430	394	35370	392	36350	238-239, 242
34440	367-368	35380	394	36360	238-239, 242
34450	393	35390	394	36370	238-239, 242
34460	143, 392	35400	394	36380	238-239, 242-243
34470	392	35410	368	36390	153, 238-239, 243-244, 248
34480	394	35420	392	36400	459-460
34490	392	35430	392	36500	392
34500	392	35440	367-368	36510	392
34510	371	35450	393	36520	394
34520	329	35460	392	36530	394
34530	393	35470	393	36540	393
34540	393	35480	153, 248, 394	36550	394
34550	392	35490	394	36560	392
34560	331	35500	394	36570	394
34570	390-391, 394	35520	251, 257	36580	394
34580	393	35540	394	36590	368
34590	391, 394	35550	251, 257	36620	393
34600	392	35570	240	36630	393
34610	393	35650	197	36640	393
34620	393	35680	392	36650	394
34630	368	35730	394	36660	394
34640	394	35740	394	36670	394



GLM Products, Inc.

INDEX - No. 36750 thru No. 39460

GLM	Page(s)	GLM	Page(s)	GLM	Page(s)
36750	240	38001	425, 427, 443	39012	142, 144
36760	240	38002	423, 425, 427, 443	39013	142, 144
36810	325	38003	425, 427, 443	39014	142, 144
36820	58-60	38004	423, 443	39015	142
36830	58-60	38005	423, 443	39016	142
36870	368	38006	435, 443	39017	142
36900	240	38007	443	39018	142
36901	240	38008	413, 419, 443	39019	142
36902	240	38009	411, 443	39020	142
36903	240	38010	409, 417, 421, 443	39021	301
36910	442	38011	409, 417, 421, 443	39022	301
36930	401, 443	38012	460	39030	142, 144
36940	240	38013	460	39040	142, 144
36950	240	38014	443	39050	142, 144
37000	239	38015	401, 403, 405, 407, 409, 411, 413, 415, 417, 419, 421, 423, 425, 427, 429, 433, 435, 437, 439, 441-442	39060	142, 144
37010	239			39070	392, 395
37040	239			39080	392, 395
37050	239	38016	460	39090	392, 395
37060	239	38017	460	39100	142, 144
37070	239	38018	419, 443	39110	142, 144
37100	56, 291	38019	460	39120	32
37120	241	38020	460	39130	143-144, 302
37150	224	38021	443	39140	239, 243
37185	241	38023	442	39150	239, 243
37220	240	38024	460	39160	143-144, 302
37241	150, 246, 313, 396	38025	407, 425, 442	39170	142, 301
37320	240	38026	460	39180	239, 243
37370	240	38027	460	39190	239, 242-243
37380	224	38028	460	39200	142, 144, 301
37390	224	38029	429, 443	39210	239, 243
37400	224	38030	460	39240	239, 243
37420	224	38031	460	39250	239, 244
37450	241	38032	417, 421, 443	39270	32
37460	240	38033	460	39271	32
37470	169	38034	460	39272	32
37490	165, 169	38035	443	39273	32
37520	239	38036	417, 421, 443	39280	32
37530	240	38037	460	39290	32
37540	240	38038	423, 443	39300	32
37550	240	38039	460	39310	32
37560	241	38040	405, 443	39320	32
37570	240	38041	405, 460	39330	239, 242
37610	240	38042	460	39331	239, 243-244
37620	240	38045	449	39332	239, 244
37630	241	38050	441, 443	39333	239, 243
37640	241	38051	449	39335	239, 242
37650	241	38052	449	39336	239, 243
37660	240-241	38053	449	39337	239, 242-243
37670	240-241	38055	443	39338	239, 244
37680	241	38057	433, 443	39339	239
37690	241	38058	415, 443	39340	239, 244
37700	165	38059	415, 443	39341	239
37760	386	38060	439, 443	39342	239
37770	386	38061	415, 443	39343	239
37780	386	38062	415, 443	39350	392, 395
37790	386	38063	415, 443	39351	392, 395
37791	386	38064	415, 443	39352	392, 395
37792	386	38065	442	39353	392, 395
37793	386	38106	409, 417, 421, 443	39354	392, 395
37794	386	38107	401, 443	39355	392, 395
37795	386	38108	411, 443	39356	392, 395
37796	386	38109	411, 443	39360	392, 395
37797	386	38120	443	39370	392, 395
37798	386	38130	403, 443	39380	392, 395
37799	386	38300	429, 431, 433, 435, 437, 442	39390	392, 395
37800	394	38301	433, 442	39400	392, 395
37840	386	38302	443	39410	392, 395
37850	197	38303	443	39420	392, 395
37860	177	38304	405, 407, 442	39430	392, 395
37861	240	38305	411, 442	39440	239, 244
37870	197	39010	142	39450	239, 244
38000	429, 431, 437, 443	39011	142	39460	143, 302

TOC

Manifolds-Merc.

Manifolds-OMC

Manifolds-Volvo

Manifolds-Barr

MerCruiser

Merc / Mar / For

OMC / Volvo

Johnson / Evin

Yamaha

Index / X-Ref.

Warranty

GLM Products, Inc.

INDEX - No. 39470 thru No. 50007

GLM	Page(s)	GLM	Page(s)	GLM	Page(s)
39470	143-144, 302	40170	225-227	40697	458
39490	143, 302	40180	225-228	40698	458
39500	143, 302	40190	225, 227-228	40699	458
39510	392, 395	40200	225, 227	40700	386
39520	239, 243-244	40210	225, 228	40710	386
39530	123, 200	40220	225, 228-229	40720	386
39540	143, 302	40230	225, 229	40730	386
39550	239, 243-244	40240	225, 229	40740	129, 131-132
39560	239, 244	40250	225, 227-228	40750	129-131
39570	200	40260	225, 228	40760	129, 131-133, 293
39580	200	40280	227-228	40770	129, 132-133
39590	68-69, 74, 98, 103-104	40290	225-229	40780	129, 131
39600	103-104	40291	458	40810	388
39622	64-69, 74, 97-98, 103-105	40292	458	40820	388
39630	269-271	40300	225, 227	40830	388
39631	254-256	40310	225-228	40840	388
39640	70-71, 74, 103-104	40320	225-228	40850	388
39650	142, 144	40330	225, 227-228	40860	225
39651	142	40340	227	40870	225
39652	142, 301	40350	225, 228	40900	224, 228-229
39654	301	40360	225, 228-229	40910	224-228
39660	142, 301	40370	225, 228	40920	224-228
39661	142, 301	40380	225, 229	40930	224, 226-227
39662	142, 301	40390	225, 229	40940	224, 228-229
39663	142, 301	40401	224, 226-228	40950	224, 226-228
39664	142	40410	224, 226-227	40960	224, 226-227
39670	142, 301	40420	224, 228-229	40970	224-226
39680	142, 301	40435	224-228	40980	224
39690	142, 301	40440	224, 226	41120	275, 277, 316, 398
39700	142	40450	224	41170	109
39710	143, 302	40460	224-226	41172	109
39720	143, 302	40470	224	42140	275, 277, 316, 398
39730	143, 302	40480	224	44990	161
39740	143, 302	40490	224, 226-228	45010	309
39750	122, 289	40500	224	45070	443
39760	122, 144	40501	458	45080	257, 305, 316
39770	46, 291	40502	458	45090	305, 307
39771	46, 56, 291	40504	458	45100	309
39772	46	40505	458	45110	309
39773	46, 56, 291	40508	458	45120	305, 307
39774	56, 291	40509	458	45140	305
39775	56, 291	40510	386	45160	305
39776	291	40511	458	45180	307, 311
39780	46, 291	40520	386	45200	265, 268, 316, 333, 335, 337, 339, 341, 343, 345, 347, 398
39781	57	40530	386		
39782	57	40540	386	45230	163, 165, 185, 316, 327, 329, 398
39783	57	40550	386, 458	45250	153, 248
39790	46, 291	40560	386	45260	153, 248
39810	301	40570	386	45270	153, 248
39820	301	40580	386	45280	153, 248
39830	301	40590	386	45290	333
39840	143-144, 302	40600	386	45330	439, 441, 443
39850	143, 302	40610	224-226	45340	403, 407, 443
39860	143, 302	40620	224, 228-229	46100	367-368
39870	32	40630	224, 228-229	46110	368
39880	32	40640	224, 226	46120	367-368
39890	32	40660	225-226	46130	368
39900	239, 242	40667	458	46132	367-368
39910	46, 56, 291	40668	458	46140	367-368
39920	46, 56, 291	40669	458	46150	367-368
39930	392, 395	40672	458	46160	367-368
39940	46, 56, 291	40678	458	46170	367-368
39950	32	40681	458	46180	367-368
40000	224, 386	40687	458	47010	261, 289
40040	130	40688	458	47110	97-98, 100, 103
40135	224, 386, 458	40689	458	47120	98, 100, 103
40140	161, 190, 224, 386	40690	458	47130	101
40145	224, 386, 458	40691	458	47133	99, 101, 103
40150	224, 386	40692	458	47221	101
40155	224, 386, 458	40693	458	47230	99, 101, 103
40160	224, 386	40694	458	47236	103
40165	224, 386, 458	40695	458	50007	38, 48



GLM Products, Inc.

INDEX - No. 50040 thru No. 71790

GLM	Page(s)	GLM	Page(s)	GLM	Page(s)
50040	32, 46, 56	53640	56, 291	70020	136, 140, 295, 297
50300	23, 25, 27, 29, 31	53770	56	70030	136, 297
50310	31	53771	56	70040	136, 140, 295, 297-298
50320	31	53772	46, 56, 291	70050	140
50350	24-25	53773	46, 56, 291	70060	136, 140-141, 295, 297-298
50600	23, 25, 27, 29, 31	53775	56, 291	70070	389
50610	31	53781	57	70082	295, 299
50620	31	53782	57	70100	295, 299
50700	44, 54	53783	57	70110	230
50730	42	53870	32	70160	230-231
50740	42	53880	32	70170	230-231
50750	23	53890	32	70200	389
50760	27, 29	53910	46, 56, 291	70500	295, 299
50780	41, 51	53911	6, 56, 291	70510	136, 140, 295, 297-298
50790	40, 50	53920	46, 56, 291	70520	297
50800	44, 54	53921	46, 56, 291	70530	136, 140, 295, 297
51010	19, 33-36	53930	32	70540	136, 140, 295, 297-298
51020	15, 17, 33	53932	32	70580	136, 140-141, 295, 297-298
51030	15, 17, 19, 33-36	53940	46, 56, 291	70590	389
51110	13, 23, 27, 29, 33-36	53950	32	70591	295, 299
51115	23, 27, 29	56030	58-60	70610	295, 299
51130	32	56110	57-60	70660	230
51140	13, 23, 27, 29, 34-36	56140	57-60	70670	230-231
51145	23, 27, 29	56250	57, 60	70680	230-231
51148	13, 25	58214	14-15, 30	71000	296, 299
51160	15, 17, 33	58221	30	71010	135-136, 297
51170	21, 32	58222	30	71020	135-136, 140, 296-297
51180	21, 32	58223	30	71030	135-136, 140, 296-298
51190	19, 32	58224	30	71040	135-136, 140-141, 296-298
51210	17	58225	30	71050	140, 296-298
51212	19, 33	58226	30	71060	135-136, 140, 296-299
51214	15, 17, 32-33	58231	30	71090	296-298
51220	13, 23, 25, 33-34	58232	30	71100	135, 295
51230	13, 25, 27, 34-35	58233	30	71110	135, 295, 298
51240	13, 29, 36	58234	30	71120	135, 295, 298
51320	37, 42	58235	30	71130	298
51330	37, 40-41, 43-44, 47, 50-51, 53-54	58236	30	71140	295, 298
51332	37, 44, 47, 54	58241	30	71160	295, 297
51334	37, 44, 47, 54	58242	30	71240	134, 137
51336	50	58243	30	71250	134, 137-139
51337	37, 40-41, 43-44, 47, 50-51, 53-54	58244	30	71400	135, 140-141, 295
51338	51	58245	30	71410	135, 295, 298
51340	38, 48	58246	30	71420	135, 295, 298
51410	37, 42	58410	45	71430	295, 297
51420	42	58430	45, 55	71450	296
51430	37, 41, 47, 51	58437	45, 55	71460	296
51450	38, 48	58438	55	71470	296, 299
51480	37, 40, 47, 50	58450	38, 45, 48, 55	71480	296, 299
51490	37, 44, 47, 54	58480	45, 55	71490	296, 299
51500	37, 43, 47, 53	58486	55	71500	134, 136
51510	47, 52	58487	45, 55	71510	134, 136, 140-141
51520	46, 49	58490	45, 55	71520	135-136, 297
51630	47, 52	58491	45, 55	71530	135-136, 140, 296-297
51640	46, 49	58492	45, 55	71540	135-136, 140, 296-297
53040	28-29, 32, 43, 46, 53, 56	58497	45	71550	135-136, 140, 296-298
53100	32	58498	45	71560	140, 296-299
53110	32	58500	45, 55	71570	135-136, 140, 296-298
53120	32	58507	45, 55	71580	296-298
53130	32	58625	57	71590	135-136, 140-141, 296-298
53271	32	58630	55	71600	135-136, 140, 296-298
53300	32	58635	57	71640	295, 298
53301	32	58640	55	71650	295, 297
53330	32	58650	30	71700	135, 297
53331	32	58653	30	71710	135, 295, 297
53360	32	58660	30	71720	135, 295, 297
53361	32	58663	30	71730	295, 297-298
53400	32	58930	46, 55	71740	135, 295, 297-298
53401	32	58940	30	71750	135, 295, 297-298
53430	32	58990	30, 136	71760	135, 295, 297-298
53431	32	58992	30	71770	135, 295, 297-298
53460	32	58995	45	71780	134, 298
53461	32	70010	136, 140, 295, 297-298	71790	134

TOC

Manifolds-Merc.

Manifolds-OMC

Manifolds-Volvo

Manifolds-Barr

MerCruiser

Merc / Mar / For

OMC / Volvo

Johnson / Evin

Yamaha

Index / X-Ref.

Warranty

GLM Products, Inc.

INDEX - No. 71800 thru No. 82310

GLM	Page(s)	GLM	Page(s)	GLM	Page(s)
71800	295, 297-298	76083	129	81190	153, 248, 316, 398
71810	135, 295	76084	131	81200	185
71820	135, 295	76085	129, 131	81210	255, 271, 316, 398
71830	135, 295	76086	129-132	81220	153, 248, 316, 329, 398
71840	135, 140	76088	293-294	81230	153, 159, 248, 255, 271, 316, 398
71850	295, 298	76096	129, 131-132, 293-294	81240	153, 248, 331
71890	295, 297	76098	131	81250	153, 248, 255, 271, 316, 333, 339, 341, 343, 345, 347, 369, 371, 398
71900	297	76101	293		
72110	136, 140-141, 230-231, 296	76102	293	81260	153, 248, 316, 398
72113	135, 295	76103	293	81270	71, 104, 153, 248, 285-286, 316, 398
72114	135	76104	293	81275	171, 185
72115	136, 140-141, 296	76106	129, 131-132	81280	261, 263, 289, 316, 398
72116	296	76107	129	81290	316, 367, 398
72117	296	76108	293	81300	316, 398
72118	296	76110	129, 133	81310	316, 398
72120	230-231	76111	293-294	81330	316, 398
72122	136, 296	76120	293-294	81340	316, 337, 398
72130	135, 137-139, 295, 298	76140	129, 132-133	81360	153, 159, 248
72140	298	76150	129, 131-133, 293-294	81370	325
72200	296, 300	76160	294	81380	265, 269, 279, 281, 316, 339, 341, 343, 345, 347, 362, 398
72210	136, 296, 300	76170	21, 129, 132		
72220	296	77104	294	81390	81, 83, 153, 173, 175, 213, 220-221, 248
72230	296	77200	130-131, 293-294	81395	177
72240	136	77210	130-131, 293-294	81400	316, 398
72250	136	77220	130-133, 293-294	81420	153, 248
72260	296	77230	130-132, 293	81430	87, 89, 153, 213, 221-222, 248
72270	296	77240	130-133	81440	283, 285, 316, 398
72290	296, 300	79448	173, 175, 177, 188	81450	316, 329, 398
72310	230	80070	153, 248	81470	153, 163, 248
72350	389	80080	316, 398	81500	213, 221-222
72360	136, 296, 300	80090	153, 248, 316, 398	81510	153, 248
72370	136, 230, 232-237	80100	271, 316, 333, 335, 345, 398	81520	153, 213, 222, 248
72380	136, 230, 232-234	80110	316, 398	81530	153, 213, 222, 248
72390	136, 230, 232-236	80115	153, 248	81540	213, 222, 398
72400	136, 230, 232-237	80120	97, 99, 153, 248, 255, 271, 316, 398	81550	283, 285, 316, 398
72403	296, 300	80130	71, 316, 398	81551	239, 244
72410	136, 300	80139	108	81552	239, 244
72420	296	80140	15, 17, 19, 23, 25, 27, 29, 40-41, 44, 49-52, 54, 153, 248, 271, 316, 398	81553	239, 244
72430	230, 296			81554	239, 244
72440	300	80160	153, 248, 443	81555	239, 244
72450	136	80170	153, 248, 316	81560	239, 244
72460	136, 296, 300	80180	99, 153, 248, 316, 329, 398	81570	71, 153, 248
72470	136	80190	69, 153, 248	81780	169
72480	136, 230, 232-236	80220	275, 290, 316, 398	81900	123
72490	136, 296, 300	80230	153, 248, 275, 277, 316, 398	82030	316, 325, 398
72600	295, 299	80290	153, 248	82050	153, 248
72610	135, 140, 295, 297	80330	153, 213, 220-222, 248	82060	153, 248
72620	135, 140-141, 295, 297-298	80350	153, 213, 220, 248	82080	316, 398
72630	135, 140, 297	80380	153, 248	82100	153, 163, 248, 316, 333, 398
72640	135, 140, 295, 297-298	80390	153, 248	82109	109
72650	135, 140, 295, 297-299	80410	153, 213, 222, 248	82110	81, 153, 175, 248
72660	140, 295, 297-298	80420	65, 67, 69, 77, 153, 213, 220-222, 248	82120	153, 248, 339, 341, 343, 345
72670	140	80430	153, 213, 219, 222, 248	82129	109, 371
72680	295, 297-298	80440	153, 213, 220-221, 248	82130	316, 347, 398
72690	295, 299	81030	153, 248	82140	153, 248, 275, 283, 285, 316, 398
72700	295, 299	81070	153, 248, 316, 398	82150	65, 67, 71, 73, 153, 175, 248, 316, 398
72880	134, 136	81080	153, 248, 316, 398	82170	316, 398
72890	134, 136	81090	159, 316, 398	82180	288
72970	230	81100	153, 248, 251, 257, 261, 263, 316, 337, 356, 398	82189	108
72980	230-231			82200	97-98, 104, 153, 248, 288
72990	230-231	81109	109	82210	165
73010	296, 389	81110	153, 159, 248, 316, 329, 398	82230	153, 165, 185, 248, 316, 333, 354-355, 398
73020	296	81120	316, 335, 398	82239	108
73040	230, 232-237	81140	153, 248, 316, 398	82240	153, 167, 248, 288, 316, 335, 398
73190	135, 137-139, 295, 298	81150	153, 248	82250	118-121, 153, 169, 248, 275, 277, 316, 333, 398, 403
73410	298	81160	83, 85, 153, 248, 316, 347, 371, 398		
73420	298	81165	341, 343	82260	85, 153, 161, 248, 255, 271, 285-286, 316, 398
74009	30, 136	81169	108-109		
76068	129-131, 293-294	81170	316, 331, 367, 398	82270	83, 153, 248
76075	294	81175	81, 153, 175, 177, 186, 248	82280	87, 89, 153, 213, 219, 248, 316, 327, 398
76081	129, 131, 293-294	81180	65, 67, 69, 71, 73, 83, 85, 153, 167, 173, 185-186, 248, 251, 256, 261, 263, 316, 398	82300	104
76082	129-130, 293-294			82310	153, 165, 169, 189, 213, 219, 248, 316, 398



GLM Products, Inc.

INDEX - No. 82320 thru No. 86260

GLM	Page(s)	GLM	Page(s)	GLM	Page(s)
82320	251, 316, 335, 356, 398	85010	151, 213, 220-222, 247, 283, 285, 314-315, 397	85520	151, 165, 167, 169, 189, 247
82340	153, 213, 220-222, 248			85530	151, 171, 189, 247
82350	153, 248, 275-276, 316, 398	85012	213, 222	85560	161
82360	153, 213, 220-221, 248, 275, 277, 316, 333, 356, 398	85013	213, 222	85570	161
		85014	213, 222	85580	151-152, 167, 247
82370	251, 257, 265, 267, 279, 281, 316, 337, 339, 341, 357, 398	85015	213, 220-221	85581	81, 83, 85, 151, 167, 169, 171, 173, 175, 177, 185-186, 247
		85016	177		
82380	65, 67, 69, 153, 248, 261-262, 316, 398	85017	177	85582	159
82390	71, 153, 171, 189, 213, 220-222, 248, 316, 398	85019	177	85590	81, 124, 175, 177
		85020	69, 77, 151-152, 247	85600	151, 247
82400	153, 248, 265, 267, 279, 281, 316, 343, 347, 357, 398	85022	65, 67, 77, 81, 151, 175, 213, 220, 247	85610	151, 159, 247
		85030	65, 67, 69, 77, 151-152, 247	85621	407, 442
82420	253, 257	85040	83, 85, 151-152, 173, 213, 219-220, 247	85622	401, 442
82425	89, 93, 153, 248	85050	151-152, 247	85624	442
82430	261, 263, 289, 316, 398	85060	69, 77, 111-113, 151-152, 247	85625	407, 443
82440	153, 248, 255, 271, 316, 345, 357, 398	85070	83, 85, 151-152, 173, 247	85630	167
82460	100-101, 316, 398	85080	92, 151-152, 167, 247	85650	81, 161
82480	153, 248, 261, 263, 275, 277, 316, 398	85090	163, 213, 221-222	85651	159
82520	275, 290, 316, 398	85100	151, 247	85656	100-101
82530	153, 248	85110	151, 247, 282, 314-315, 365, 397	85658	444, 461
82710	153, 248	85120	151, 165, 167, 169, 189, 247, 314, 329, 347, 365, 397	85660	401, 403, 444, 461
82900	153, 248			85680	151, 247
83200	316, 327, 398	85130	81, 83, 85, 87, 92-93, 151-152, 171, 173, 175, 189-190, 247, 265, 267, 279, 281, 314-315, 343, 347, 357, 365, 397	85700	81, 83, 85, 92, 151, 173, 175, 190, 247
83210	316			85780	144, 302
83240	253, 257			85790	144, 151, 247, 302
83250	265, 269, 316, 398	85140	81, 83, 85, 87, 89, 151, 247	85800	151, 247
83330	153, 163, 248	85150	69, 77	85810	151, 247
83340	253, 257	85151	163	85820	71, 77, 151, 247
83345	92, 153, 167, 189, 248	85153	159	85830	339, 341, 343, 345, 392
83415	92, 153, 248	85160	151, 171, 247, 365	85840	339, 341, 343, 345, 392
83445	81, 83, 85, 87, 92-93, 104, 153, 173, 175, 177, 189-190, 248	85170	151, 171, 247	85850	96
		85180	169, 171	85880	165
83465	93, 153, 248	85181	165	85890	165
83480	441, 443	85182	169	85900	253, 257
83505	87, 92-93, 153, 248	85190	171	85910	100-101, 104
84001	407, 443	85210	92, 151-152, 247	85960	144, 302
84002	407, 443	85221	429, 431, 433, 435, 437, 439, 444, 461	85980	144, 302
84003	443	85222	429, 431, 433, 435, 437, 439, 444, 461	86010	283, 285, 314-315, 397
84004	443	85223	417, 419, 421, 423, 425, 427, 429, 431, 433, 435, 437, 439, 441, 444, 461	86011	314, 339, 341, 343, 345, 362, 397
84026	153, 248			86012	314, 343, 345, 357, 397
84190	153, 248	85224	419, 444, 461	86013	333, 335, 337, 397
84200	413, 419, 443	85225	407, 411, 413, 415, 417, 419, 421, 444, 461	86014	325
84205	435, 437, 439, 443	85226	444, 461	86030	267, 281, 314-315, 337, 339, 341, 356-357, 365, 397
84210	437, 443	85227	413, 444, 461		
84211	433, 435, 439, 441, 443	85228	409, 417, 421, 423, 444, 461	86040	279, 282, 314-315, 397
84212	435, 443	85229	423, 425, 427, 444, 461	86050	279, 282, 314-315, 397
84215	429, 431, 437, 443	85231	405, 407, 409, 411, 444, 461	86060	279, 281, 283, 285, 314-315, 333, 335, 356, 365, 397
84216	433, 439, 443	85232	401, 403, 405, 444, 461		
84220	413, 419, 443	85233	441	86070	283, 285, 314-315, 397
84225	413, 419, 441, 443	85234	439, 444	86080	275-276, 314-315, 397
84230	413, 419, 443	85235	441, 444	86090	275, 277, 314-315, 397
84235	413	85236	441, 444	86100	275, 290
84240	429, 431, 433, 443	85237	444	86110	331
84245	429, 431, 443	85238	444	86120	314, 327, 397
84250	427, 443	85250	89	86130	371
84255	417, 421, 423, 425, 427, 443	85260	151, 247	86140	335, 371
84260	409, 415, 417, 421, 443	85270	151, 159, 247	86150	314, 331, 365, 397
84265	415, 417, 421, 443	85290	151, 247	86160	314, 335, 365, 397
84270	423, 425, 443	85330	151, 247	86170	314, 327, 397
84275	405, 409, 411, 443	85360	167	86180	314, 327, 365, 397
84280	405, 443	85370	151, 247	86190	314, 331, 365, 397
84285	411, 443	85371	89	86200	314, 329, 365, 397
84290	423, 425, 427, 443	85372	89	86210	335, 337, 392
84295	429, 431, 433, 435, 437, 443	85380	151, 247	86211	393
84300	429, 431, 433, 435, 437, 439, 441, 444	85390	101	86212	393
84305	413, 419, 444	85420	100	86213	368
84310	405, 407, 444	85440	100, 151, 247	86214	393
84320	444	85460	151, 213, 219, 247	86215	159, 368
84335	401, 444	85480	151, 247	86230	329
84340	401, 444	85490	144, 302	86240	314, 365, 397
84350	403, 444	85500	151, 247	86250	314, 365, 397
84360	403, 444	85510	92-93, 151, 247	86260	314

TOC

Manifolds-Merc.

Manifolds-OMC

Manifolds-Volvo

Manifolds-Barr

MerCruiser

Merc / Mar / For

OMC / Volvo

Johnson / Evin

Yamaha

Index / X-Ref.

Warranty

GLM Products, Inc.

INDEX - No. 86270 thru No. 89230

GLM	Page(s)	GLM	Page(s)	GLM	Page(s)
86270	314, 331, 365, 397	87010	303, 305	87730	303-305
86300	251, 255-256, 271	87011	303	87740	250-251, 256
86310	71, 78	87020	303, 311	87750	252-253, 256
86320	282	87030	303, 305	87760	302, 304-305
86330	282	87040	305	87770	302, 306-307
86340	282	87060	307	87780	302, 306-307
86350	314, 365	87070	309	87790	302
86360	314, 397	87100	251, 257, 314	87800	178, 181
86370	314-315, 397	87110	251, 257, 305, 314	87801	178, 181
86380	314, 397	87213	433, 444	87802	178, 181
86390	314, 397	87400	107-108, 110-111, 113	87803	178, 181
86400	314, 397	87410	109-110	87804	178, 181
86410	314, 365, 397	87411	109	87805	178, 181
86420	314, 397	87412	109-110	87807	178, 181
86430	314, 397	87413	110	87808	162-163, 178-179, 181
86440	314, 397	87480	70-71, 74, 90	87809	168-169, 178-179, 181
86450	159, 314, 397	87490	86-90	87810	178, 181
86460	314, 335, 365, 397	87500	68-69, 74	87812	416-417, 420-421, 442, 444
86470	314, 397	87501	64-67, 74	87820	302, 304-305, 308
86480	339, 341, 343, 345, 347	87510	82-85, 90	87825	434-435, 442
86481	367-368	87511	80-81, 90	87826	404-405, 442, 444
86482	253, 257	87512	174-175, 178, 181	87827	410-411, 442, 444
86487	329	87513	174-175, 178, 181, 183	87828	436-437, 442, 444
86490	337, 339, 341, 343, 345, 347	87514	164-165, 168-169, 178-179	87829	412-413, 442, 444
86491	333, 335, 337	87515	176-177, 181	87830	302, 307
86492	325, 327, 329, 331	87520	172-173, 178, 180-181	87833	408-409, 442, 444
86494	335	87530	166-167, 178-180	87834	418-419, 442, 444
86495	339, 345	87540	172-173, 178, 180-181	87836	422-423, 442, 444
86497	333	87561	97-98, 105	87837	424-427, 442, 444
86500	339, 341, 343, 345	87562	97, 105	87838	430-431, 442, 444
86510	314, 325, 365, 397	87563	70-71, 105	87840	302, 306-307
86520	314, 329, 397	87573	162-163, 178-179	87841	428-429, 442, 444
86530	261-262, 314-315, 397	87574	158-159, 178	87843	400-403, 442, 444
86540	371	87575	162-163, 178-179	87844	438-439, 442
86550	314-315, 397	87576	160-161, 178-179	87845	414-415, 442, 444
86560	255, 271, 315, 397	87580	74, 90	87846	406-407, 442, 444
86570	333, 337	87590	168-171, 178-181	87847	432-433, 442, 444
86580	335	87600	348-349	87850	440-442
86590	151, 247, 285-286, 314, 397	87601	348-349	88010	123
86610	261, 263, 289, 314-315, 397	87602	348-349	88020	123
86620	261, 265, 268	87603	348-349	88180	81, 175, 177
86630	261, 289	87604	349	89010	303, 305, 311
86640	265, 341, 357	87605	349	89020	303, 305, 311
86650	393	87606	349	89030	303, 305
86651	393	87607	349	89040	103-104
86652	275, 277	87608	349	89050	98, 103-104
86653	253, 257	87609	349	89060	19, 31, 124
86654	386	87611	349	89070	17, 21, 23, 27, 29, 31, 124
86656	386	87614	348-349	89080	100-101, 103-104
86657	386	87616	349	89083	165, 185
86658	386	87617	349	89090	17, 21, 23, 27, 29, 31, 124
86660	339, 341, 343, 345, 347, 371	87618	349	89100	31, 97-99, 103-104
86690	255-256, 271	87619	349	89120	15, 17, 23, 27, 29, 31, 124
86700	285-286	87620	273, 278-279	89130	23, 27, 29, 31, 124
86710	285-286	87621	349	89140	99, 103-104
86711	100-101, 103-104	87622	349	89141	99, 103
86712	100, 103-104	87630	273, 278-279	89150	31, 98-99, 103-104
86713	303, 311	87640	273, 278-279	89160	31, 103
86720	71, 78	87650	272-275	89175	31, 103
86730	71, 77, 151, 247	87651	273	89180	97, 103-104
86740	314, 365, 397	87652	283-285	89181	97, 103
86750	314, 365, 397	87653	283-285	89190	255-256, 269, 271
86760	314, 397	87654	258, 260-262	89200	255-256, 269, 271
86770	314, 365, 397	87655	264-266	89210	269, 271
86790	314, 397	87656	264-265	89220	42, 46, 290
86810	265, 267, 314, 343, 345, 357, 397	87660	283, 285	89221	39, 42, 46, 224
86820	163	87670	283-285	89222	38-41, 43-44, 46, 48, 50-51, 53-54, 56, 290
86830	163	87680	348-349	89223	39, 42, 46
86840	159, 161	87690	349	89224	40-41, 43-44, 46, 50-51, 53-54, 56, 213, 290
86850	161, 163	87700	302	89227	49, 52, 56, 290
86860	169	87710	303, 308-309	89229	44, 46, 54, 56
86870	169	87720	303-306	89230	42, 46, 290



GLM Products, Inc.

INDEX - No. 89240 thru No. 90530

GLM	Page(s)	GLM	Page(s)	GLM	Page(s)
89240	31, 46, 56, 103, 290	89880	199, 401, 447, 450		
89250	31, 46, 56, 103, 290	89890	199, 411, 447, 450		
89260	31, 46, 56, 103, 290	89900	407, 409, 413, 447, 450		
89300	439, 447, 452	89910	199, 417, 419, 421, 423, 447, 450-451		
89310	289-290	89920	46, 425, 447, 451		
89440	97-99, 103	89930	429, 431, 433, 435, 437, 447, 451-452		
89450	199	89932	428-437, 448, 451-452		
89451	161, 199	89940	337, 369, 371, 373		
89460	333	89950	261, 289		
89470	369, 371, 373	89960	441, 447, 452		
89480	369, 371-372	89990	369, 371-372		
89490	369, 371-372	90050	148, 313		
89500	325, 369, 371-372	90061	150, 245, 287, 313, 359, 396		
89510	290	90062	150, 245, 287, 313, 359, 396		
89513	290	90063	150, 245, 287, 313, 359, 396		
89520	290	90064	150, 245, 287, 313, 359, 396		
89530	290	90065	95, 150, 245, 287		
89540	289-290	90066	150, 245, 287		
89550	290	90070	110-114		
89560	290	90071	269-271		
89570	339, 341, 343, 345, 369, 371, 373-374	90072	254-256		
89580	369, 371-372	90095	95, 150, 245, 287, 313, 359, 396		
89586	441, 447	90100	148		
89587	199, 401, 405, 407, 409, 419, 447	90110	148		
89588	429, 431, 433, 435, 437, 439, 447	90140	149, 246		
89589	199, 403, 411, 447	90150	150, 246, 313, 396		
89590	339, 341, 343, 345, 371	90160	149, 246		
89591	335, 337, 369, 371	90170	148		
89592	333, 337, 369, 371	90180	148		
89593	329, 331, 335, 369, 371	90190	149, 246		
89594	327, 369, 371	90200	148		
89595	275, 290, 335, 337, 347, 369, 371, 415, 425, 427, 447	90210	149, 246		
89596	371	90220	149, 246		
89597	199	90230	149, 246		
89599	199, 413, 417, 421, 423, 447	90240	149, 246		
89600	199	90260	150, 245		
89610	289-290	90270	150, 245		
89611	290	90280	150, 199, 245, 401, 405, 407, 409, 413, 415, 417, 419, 421, 423, 425, 427, 429, 431, 433, 435, 437, 439, 447		
89612	369, 371, 373-374				
89614	199	90290	150, 245		
89615	199	90295	150, 245		
89616	169, 199	90330	313, 396		
89619	403, 447, 450	90340	313, 396		
89620	290	90350	313, 396		
89621	290	90360	148		
89622	405, 447, 450	90460	313		
89623	290	90470	103, 148		
89624	427, 447, 451	90480	313		
89630	81, 123-124, 171, 175, 177, 199	90490	149		
89640	163, 165, 199	90500	269, 313		
89650	369, 371-372	90510	269, 313		
89660	335, 369, 371-373, 415, 447, 450	90520	269, 313		
89670	369, 371-372	90530	313		
89680	347, 369, 371, 373-374	90580	269, 313		
89690	369, 371, 373				
89702	123				
89710	337, 369, 371, 373				
89740	123				
89750	329, 331, 369, 371-373				
89760	275, 290				
89770	327, 369, 371-372				
89780	335, 369, 371, 373				
89790	333, 369, 371, 373				
89800	159, 199-200				
89810	159, 199-200				
89820	199				
89830	167, 199				
89840	83, 85, 123-124, 173, 199				
89850	199, 447				
89860	199, 447				
89870	199, 447				

TOC

Manifolds-Merc.

Manifolds-OMC

Manifolds-Volvo

Manifolds-Barr

MerCruiser

Merc / Mar / For

OMC / Volvo

Johnson / Evin

Yamaha

Index / X-Ref.

Warranty

GLM Products, Inc.

TOC

CROSS REFERENCE - MERC to GLM

Manifolds-Merc.

Manifolds-OMC

Manifolds-Volvo

Manifolds-Barr

MerCruiser

Merc / Mar / For

OMC / Volvo

Johnson / Evin

Yamaha

Index / X-Ref.

Warranty

MERCURY	GLM	MERCURY	GLM	MERCURY	GLM	MERCURY	GLM
33700	70030	11-826709106	21163	1395-7824	40900	1547-9412A23	19400
862039	21779	11-826709111	21190	1395-811223 1	40490	15-57007A1	23300
878680	35350	11-827614Q04	21355	1395-811690 1	40940	15-71013	28380
880653	26675	11-859116	21170	1395-8318 1	40910	15-812769A1	23223
883925	15330	11-859124	21161	1395-8673	77250	15-812770A1	23224
893404	26676	11-859135	28410	1395-879194011	40950	15-92881A1	23225
10-12244	22355	11-862902	19354	1395-879194024	40401	15-97166	23290
10-13954	23237	11-862903	21160	1395-9022	40970	15995	13830
10-14164	22376	11-863332	19350	1395-9024	40640	16-11376	22461
10-17989	13234	11-88228	21242	1395-9258 1	40920	1623-5356A4	17000
10-20518	21433	12076A2	51160	1395-9267	77280	1623-815822A30	28000
10-24323	22336	12-12577	21653	1395-9594	77260	1623-815822A53	18300
10-28667	22360	12-16448	31178	1395-9651	40440	1623-8951A37	18000
10-28668	22440	12-19183 3	31170	1395-9761 1	40610	1623-8951A43	18100
10-30206	22430	12-20084	21664	1396-4656	76081	16-49545	22391
10-30720	12821	12-20553	21675	1396-5238	76096	16496	13815
10-31700	21090	12-27880	32790	1397-2060	77200	16-56826	22484
10-32470	21740	12-29245	21490	1397-2150	24980	16-70236	22482
10-34354	22447	12-29395	21800	1397-2610	77210	16755Q1	39640
10-37562	21756	12-31211Q03	21360	1397-3327	77220	16755Q1	86310
10-37612	21755	12-31266	30010	1397-3458	76111	16-806300	22475
10-43749	22381	12-32666	21422	1397-5831	76107	16-8M0022137	22474
10-45590	21750	12-32834	30020	1397-5837	77230	16-8M0034454	22479
10-48408	22358	12-35462	21679	1397-6367A1	76083	16-97520	22481
10-52743	22442	12-35777	19320	1397-8548	40760	17-14872A1	21380
10-53728	21745	12-36001	21720	1397-8760	76106	17-14872A1	21400
10-66686	22311	12-38453	32710	1397-8767Q	24841	17-14873A1	21370
10-66863 1	22445	12-39116	30040	1398-3089	76082	17264T2	12947
10-69570	21751	12-44163	21670	1399-1717	40435	17264T2	15001
10-72094	22446	12-44164	21671	1399-5135	40460	17-44166	21480
10-72202	22312	12-45176	28420	1399-5137	40660	17-44166T1	21910
10-73275	22441	12-45737	21640	1399-5207	32200	17-44167A1	21481
10-73657	23233	12-45810	28330	1399-99	32190	17-45735	21130
10-74727	22397	12-46765	21650	14034A3	26500	17-45738	21100
10-76156	12822	12552	13237	14035A3	26510	17-47617	22195
10-78259	21748	12596T2	11412	14-18323	11381	17494A1	13700
10-79953Q04	22420	12644A1	89250	14334A3	12417	17-78905	21102
10-806290	12832	12708	86720	14478T01	50750	17-78906	21101
10-806327	21741	12711	21418	14479 1	13812	17-78909	21103
10-816601	28430	12-76451	13817	14480	13811	17-815953A01	21424
10-816928	12834	12-77674	30030	14505A2	11520	17-828356	21104
10-824832 4	23236	12784	28340	14-53012	11370	17-8M0020941	21131
10-824941	22443	12-78910	21665	14586	13120	17-8M0020942	21107
10-826844 25	23235	12-806241	19324	14586A3	13121	17-8M0020999	21106
10-826844 30	23234	12-814806	21662	14586A4	13122	17-8M0065070	21425
10-85486	22306	12-815472	32600	14586A6	13123	18-32665	22100
10-860008	22375	12-815952	21672	14586A7	13201	18-54929	22147
10-865321	22368	12-835467Q01	21300	14705	21463	18643A5	11532
10-865982057	22398	12-835467Q01	21301	14-76281	21220	18643A7	11530
10-90926	22305	12-85058	21660	14-79447	11380	18654A1	89100
10-96411	12833	12-85303	13816	14-816629Q	21200	19-14842	26480
10-97934	19310	12-86645-1	31175	15248A1	73230	19271 1	40930
10-97934A1	21810	12-8M0005777	31177	15-32563A1	23261	19291A3	11394
10-98794	28300	12-8M0027721	31210	15-35980A1	23280	19-42682	22031
10-F1425	22309	12-90931	21661	15-36178A02	23270	19-47579	21890
10-F1990	22308	12-92721	32800	15-38374A1	23226	19-59504	12826
11-13914Q02	21286	12-94182	13803	15-42637A1	23210	19643	31330
11-22339	28360	12-F480388	37510	15-44491A1	23221	19700A2	12506
11-31990Q02	21295	12-F658504	34440	15-44492A1	23222	19-815951	26490
11-35888	21180	13191Q01	21350	15-45691A1	23260	19-82492800119	12966
11-35921	11190	13220	76110	15-47397A1	23220	20843	21091
11-40119 12	21232	13-33734	19330	1547-815930A7	29000	21-13424A1	40170
11-40119Q02	21306	13-35048	21493	1547-861063A10	19700	21-30430A1	40180
11-40140	21243	13-35479	21495	1547-861063A12	19600	21-30430A11	40230
11-49838	21248	13-39107	21496	1547-861063A4	29020	21-30430A12	40240
11-49910	21162	13-42351 1	21760	1547-861063A6	19900	21-30430A13	40250
11-52707Q1	21230	13524A6	72890	1547-861063A8	19800	21-30430A14	40260
11-52707Q1	21250	13524T1	72880	1547-9412A18	19000	21-30430A3	40190
11-55910	11192	13-69432	21491	1547-9412A19	19500	21-30430A4	40200
11-69578Q01	21240	13-78968	05009	1547-9412A20	19100	21-30430A7	40210
11-69578Q1	21260	1395-6200	40410	1547-9412A21	19200	21-30430A8	40220
11-812820-1	23208	1395-6452	40420	1547-9412A22	19300	21-857005A1	40290



GLM Products, Inc.

CROSS REFERENCE - MERC to GLM

MERCURY	GLM	MERCURY	GLM	MERCURY	GLM	MERCURY	GLM
22-13234A1	21897	25-23145	82140	26-14756	85960	26-821309	85880
22-32802 2	21893	25-25007	80080	26-15123	85970	26-821310	85890
22-32803	21894	25-25439	81180	26-16709A2	87480	26-821928	85560
22-36382	21887	25-26543	81080	26-16977	85040	26-823894	85030
22-37372	21899	25-26722	82240	26-20070	86590	26-828627	86000
22-41622	21892	25-26802	81110	26-23517	85210	26-830749A01	87515
22-42861 1	21896	25-26855	82230	26-24590	85680	26-830898 1	85013
22-42861 1	22032	25-29439	81230	26-26226	85110	26-85090001	85151
22-73379	22379	25-29845	81190	26-26805	85100	26-85090A1	87575
22-76170	13940	25-30224	82250	26-30530	85260	26-85090A2	87808
22-806608A102	13992	25-30271	21330	26-30696	85582	26-854639001	13144
22-862210A01	13990	25-30529	81360	26-30900	86450	26-858093	85012
22-862210A01	13991	25-30613	81160	26-30913	85270	26-861694	85370
22-862557	13980	25-31305	82360	26-32121	85290	26-861694	85371
22-866725	13984	25-31986	83345	26-32511	85020	26-861695	85372
22-866725	13986	25-32546	80420	26-32511A1	87500	26-88397	12831
22-88847A1	16005	25-33145	82260	26-33144A2	87510	26-88397A1	87501
22-8M0058389	21731	25-33465	81430	26-33613	12837	26-88416	85910
22-98477A2	13236	25-33466	81260	26-36556	85200	26-888483	85018
22-99498	13930	25-33504	82200	26-36557	85150	26-888483	85019
23014A1	40310	25-35027	82150	26-36558	85153	26-888920	85016
23-29804T	12820	25-35029	82350	26-38452	85360	26-888921	85017
23-30617A2	21010	25-35276	82100	26-38970	12830	26-89238	85070
23-31792T23	12963	25-35480	81240	26-41131	86820	26-89238A2	87540
23-32632	21423	25-38099	82270	26-41132	86830	26-897153	85610
23-42091 1	22192	25-38933	80090	26-41365 1	85570	26-897154	85330
23-43045	31590	25-42357	82710	26-41365A3	87576	26-90562	85080
23-43052A4	21024	25-45253	80140	26-41953	85010	26-94038	85600
23-47508T	13250	25-45257	80290	26-42102 1	12836	26-96503 1	85060
23-77631A2	21020	25-45710 1	81270	26-42133	85650	26-97335	85780
23-805041A2	87561	25-45710 1	81275	26-43035	85160	26-99325	86850
23-806036A1	87562	25-45711	81140	26-43035A4	87590	26-F351307	85410
23-806981	22198	25-47254	82390	26-43036	85170	26-F458736	86960
23-807073	26340	25-48171	80120	26-43993	85090	2704-821896A3	14480
23-813696A2	21022	25-55801	80190	26-45577 1	85140	2704-821896A4	14490
23-815921A20	21017	25-57413	81550	26-45587	85380	2704-826191T4	14470
23-815921A21	21015	25-58390	80230	26-48443	85800	27-11338	30890
23-815921A4	21018	25-60342A2	87410	26-54815	85014	27-11338A88	39450
23-815950 1	26350	25-62702	80110	26-54925	85420	27-11977	30351
23-816583	12825	25-62704	81090	26-55682	85440	27-11977A92	39650
23-824108	11012	25-62705	80180	26-55682A1	87520	27-11988	30359
23-85095	31591	25-62706	80430	26-56397	85460	27-11999	30353
23-861209A1	87563	25-64872	13806	26-56788	85480	27-12732	30362
23-86215	22194	25-65936	81250	26-62818	85500	27-12775 4	30970
23-89574	26310	25661T1	72480	26-64796	85980	27-13461 2	37630
23-90203	26320	25-67202	82480	26-66022	86840	27-13461A99	39331
23-90915	21426	25-69201	83465	26-66301	85015	27-13687	36110
23-98356	21692	25-70937	82380	26-66302	85011	27-13709	36120
23-98357 1	21694	25-805197	82530	26-66303A1	87573	27-13865-1	39850
23-99291T	26330	25-805331	82425	26-69188	85120	27-13937 6	32220
23-99299	19340	25-818573	81551	26-69189	85520	27-13958 1	37640
23-99322	21050	25-821308	82210	26-70080	85531	27-14250	30530
24-17997A1	12930	25-822236	44990	26-70081	85530	27-14318005	32760
24-30622	11034	25-85549	83330	26-72785	85810	27-14697 2	37530
24-30893	11050	25-85594	45230	26-76868A04	87490	27-14697A87	39332
24-38114	11047	25-86203	21321	26-77066A1	87574	27-14901A1	39470
24-39845	11049	25-86993	83240	26-79831	85580	27-15172 4	32770
24-42996	13824	25-87400A2	87400	26-79831A1	87530	27-16737 1	37540
24-47968	13823	25-88923	81560	26-805344	85250	2716-853340A10	14435
24-64878	13821	25-88955	81540	26-807006	86730	2716-858789A4	14445
24-66852	13822	25-896522	81175	26-812889	86641	2716-858789A4	14540
24-75533	13235	25-896523	81395	26-814622	85490	2716-858789T2	14520
24-78962	11059	25-896524	83445	26-814669	86860	2716-858790A4	14530
24-815418	11048	25-90011	81390	26-814669A2	87809	2716-858790T2	14510
24-8261991	11046	25-94288	84026	26-814670	86870	27-17145	30860
24-850327	11036	25-97387	81570	26-816464-1	85581	27-17467	30357
24-90392	13825	25-F455305	81330	26-816575A2	85590	27-18272	32470
25-20195 1	81120	25-F707278	83400	26-816575A3	87511	27-18307 6	37570
25-20273	21320	26-12224	85700	26-816575A4	87512	27-18785T	35850
25-20385	80100	26-12709 1	85820	26-816575A5	87513	27-18786T	35890
25-20826	82280	26-14077	85130	26-820645A1	87810	27-18889 1	37520
25-20863	82310	26-14240	85790	26-821092	85510	27-18937	33890

TOC

Manifolds-Merc.

Manifolds-OMC

Manifolds-Volvo

Manifolds-Barr

MerCruiser

Merc / Mar / For

OMC / Volvo

Johnson / Evin

Yamaha

Index / X-Ref.

Warranty

GLM Products, Inc.

CROSS REFERENCE - MERC to GLM

MERCURY	GLM	MERCURY	GLM	MERCURY	GLM	MERCURY	GLM
27-19050 3	37560	27-43779 2	30270	27-64763A2	39680	27-803192A2	32690
27-19138	33880	27-43779A87	39336	27-64798	39160	27-803508	36330
27-19184	35580	27-44108 1	33000	27-64818T4	39590	27-803508-2	36340
27-19186 1	35570	27-44328 4	37670	27-64859	30640	27-804115-1	36390
27-19202001	31230	27-46351	30280	27-64941	32860	27-805215 1	32740
27-19204 3	31220	27-46401	31440	27-65577	32130	27-805396	30363
27-19250002	35650	27-46401A1	39270	27-65744 3	30670	27-805760	32060
27-19454-1	37478	27-46820	33760	27-65788	30680	27-806452	32210
27-19551	31070	27-46820A1	39120	27-66102 1	30700	27-806640	32570
27-19552	31190	27-47190	30310	27-66335	30710	27-806871A96	39018
27-19553	31060	27-47257	31450	27-66847	30720	27-807218	30920
27-25725	30050	27-47453	36140	27-67275 1	30740	27-807473A1	30347
27-25848	31260	27-47453A1	39660	27-67751 1	31690	27-807982 1	32180
27-25849	31270	27-47510	31460	27-68714A7	39760	27-809753A1	37000
27-25851	31280	27-47590 1	31430	27-68715	31710	27-809754A1	37010
27-27936 1	30060	27-47644 1	31470	27-69238 1	31720	27-812775 4	37680
27-29166	30070	27-48042	31480	27-69524 2	30760	27-812775 5	37690
27-31402	31300	27-48043 1	31490	27-69524A75	39180	27-812867 1	35011
27-32438	31030	27-48164 1	31500	27-69525 2	30770	27-812867 2	35090
27-33179 2	31670	27-48399	31540	27-69860	30780	27-812867A97	39339
27-33395	31100	27-48801	30330	27-70142	32140	27-812868	36900
27-33395A2	39280	27-48818 1	31510	27-70335 1	30800	27-812869	36901
27-33918	35060	27-49110	31770	27-70905	31750	27-814195 1	36903
27-33956	31350	27-49121	30350	27-71614	30820	27-814195A93	39342
27-34208	30100	27-49936	30340	27-71827	30830	27-814680 1	31340
27-34209	30120	27-49949	39130	27-72142 1	31730	27-814703	32640
27-34213	31360	27-49953	30360	27-72479A5	30850	27-814754A00	39338
27-34213A2	39710	27-49955	30370	27-72486A32	39190	27-815528	33580
27-34273-1	36130	27-52364	36150	27-72805	31800	27-815791A92	39520
27-34273A88	39050	27-52364A88	39011	27-73042	39200	27-817277 1	31240
27-34460	30110	27-52457 2	30380	27-73377 1	31810	27-818043A1	40860
27-34486 3	31370	27-52546	31550	27-73645	30880	27-820438	36290
27-34895A2	39720	27-52550	39490	27-73645A87	39210	27-820500A3	37120
27-34897	31380	27-52891	30400	27-73665	30900	27-822189	37490
27-34898	32750	27-52893A72	39140	27-73666	31820	27-822217	37700
27-35898A4	39290	27-52894	30410	27-73812	30910	27-822844T05	35870
27-35898T	31390	27-52895	30420	27-73866	33790	27-823142 2	37620
27-35982	31160	27-53045 1	31560	27-74830	31840	27-824323	30441
27-38471	30160	27-53354	31570	27-74830A3	39110	27-824326	30344
27-38501 1	31400	27-53354A1	39300	27-75450	31850	27-824326002	30345
27-39401	30170	27-53650	30430	27-75483	39500	27-824326A02	39014
27-39402	30180	27-53862	31580	27-75611001	36160	27-824326A93	39013
27-39915	31410	27-54014Q1	39600	27-75611A03	39652	27-824615 2	36300
27-39917	30190	27-54505	30500	27-75611A2	39690	27-825482 1	36350
27-39923	31420	27-54506	35070	27-75611A86	39010	27-827154	30358
27-39947	30200	27-54529	30440	27-75611A88	39017	27-827284	37850
27-41244T02	35900	27-54529A1	39740	27-75611A96	39019	27-828292	37590
27-41246 1	35860	27-54566A1	39310	27-75645	36280	27-828316	37320
27-41382	31950	27-55158	30450	27-75647	36170	27-828319	37410
27-41417 2	36750	27-55279 1	31600	27-75647A1	39700	27-828553A97	39341
27-41418 1	36760	27-55810 1	31150	27-75786	32870	27-828925	37150
27-41499A88	39335	27-56108	30460	27-75791 1	31860	27-832934A00	39343
27-41609	30361	27-56108A1	39750	27-75909	31870	27-834777	36370
27-41670006	32780	27-56110A1	39670	27-76636	31880	27-850283	36902
27-41812	31630	27-56173	30470	27-76862 1	30940	27-850318-1	37870
27-41812	32380	27-56859	30490	27-76952	30960	27-850836	36360
27-41812 2	31631	27-56880	31900	27-78028A78	39330	27-851040	30356
27-42364A92	39900	27-58764	30510	27-78246 1	32880	27-85487	31890
27-42457	31700	27-60208	31620	27-78409	31960	27-85488 2	32930
27-42457A1	39730	27-60286	30930	27-78410	30980	27-85491 3	31780
27-42631 1	31050	27-60308	30650	27-78411	31970	27-85491A90	39337
27-42797	39460	27-60309	30550	27-78690002	31990	27-85492 4	31790
27-43004009	37650	27-60317	30570	27-79583 1	35910	27-85493	32010
27-43004A99	39333	27-60715	30580	27-79583A81	39340	27-85495 2	32280
27-43005 7	37660	27-62107	32850	27-79650 1	30990	27-85496 1	32940
27-43006 8	32820	27-62362	30600	27-801839	39060	27-85497 2	32050
27-43007 5	32830	27-62386001	30610	27-801841	39100	27-85498 1	32950
27-43008 6	37610	27-62396	30620	27-801842	39012	27-85608 1	31010
27-43033 1	30090	27-62860 1	31640	27-801843	39015	27-85653A87	39550
27-43047 2	30320	27-63309	31650	27-801853	39020	27-856704	31040
27-43186A1	39040	27-64203A75	39150	27-801857	39030	27-856705	32460
27-43777 2	30260	27-64692	31660	27-803192A1	30231	27-856728	31910



GLM Products, Inc.

CROSS REFERENCE - MERC to GLM

MERCURY	GLM	MERCURY	GLM	MERCURY	GLM	MERCURY	GLM
27-856729	31920	29-39656	16160	31-803095T1	25140	35983	28390
27-856730	32070	29-47270	16120	31-803096T1	25150	36223A2	89040
27-85817A1	39540	29-47897	16130	31-803493T1	11870	37721001	85630
27-858524	31020	29-67483	16170	31-803494T1	11860	38441	11187
27-86015	32290	29-71422 1	16150	31-803495T1	11850	38473	21462
27-861246A98	39016	29-818391001	16250	31-803496T1	11830	391-5075T1	71590
27-863724	30240	29-822553	16260	31-803806T1	11840	391-5076	32040
27-863725 1	30220	29-88258001	16180	31-812768	11429	391-5090T1	72620
27-863726	32080	29-98295	16190	31-816773A2	16530	39-18487A12	14270
27-87707	32300	30-20066	28190	31-828437A2	21591	39-18653A1	14251
27-87736 1	32310	30-20839T	21628	31-828439A2	21593	39-18653A12	14241
27-879150140	36100	30-26379	28180	31-844338A01	16420	391-898253001	70580
27-879150141	36180	30-31265	21621	31-86748A1	21512	391-898253004	70060
27-880729	37860	30-43011T	21622	31-86752A1	21592	391-898253029	71040
27-881715	30354	30-62567T	21627	31-86763A2	21525	39-19721A1	14921
27-883775	37550	30-63326T	21840	31-879877A1	16410	39-19721A2	14931
27-883964T	39840	30-63742T	21860	31-88269T	22810	39-19721A6	14911
27-88449	32090	30-64424T	21626	31-8M0045428	16200	392-6318T	71570
27-88449A32	39240	30-67923T	21623	31-92366A1	21600	392-6324T1	72650
27-88451 1	31980	30-72961	21625	31-93496T	16540	392-6325T1	72660
27-88983	32340	30-803097T1	21950	31-99328A1	21581	392-6326T	71050
27-89221 1	32350	30-803098T1	21951	32-14358001	89130	392-805570A2	72115
27-89221A80	39560	30-803099T1	21960	32-32461	47120	392-881732	72122
27-89221A88	39250	30-803100T1	21961	32-41725 33	47110	392-898253002	70510
27-89656 1	32100	30-862540A3	21905	32-43437	47130	392-898253005	70010
27-89657	32370	30-88268T	21624	32435 1	12510	392-9086T	71600
27-89937	32110	30-88957T	21620	32-44348001	89120	392-9089T	71060
27-8M0000820	37862	30-98475	13233	32-54236	12202	392-9766T1	71560
27-8M0000822	37861	30-98475T1	13232	32-55816	26060	393-4988T1	71840
27-8M0045278	36380	31-12576	22750	32-58432A2	26220	393-4988T 2	71550
27-8M0050224	39170	31-12578T	22760	32-59841	26070	39383 1	28100
27-8ZM0036675	37470	31-15844	22770	32-59842	26080	393-9459T1	71540
27-90430 1	32120	31-16756A4	16500	32-69871	26090	394-1130A1	70660
27-90484 1	32150	31-16756A6	16440	32722	77010	39-78918A4	14250
27-90484A88	39440	31-21700	11428	32768	12520	39-813011A12	14275
27-91892	32390	31-21739	11427	32-860220	12829	39-815267A4	14280
27-92720	32630	31-30894A1	11330	32-86036Q	26100	39-815268A4	14980
27-93536 1	31680	31-30894A1	21820	32-864588	26200	39-817096A16	14220
27-94914	32730	31-30894A5	21522	32-864589	26250	39-817096A26	14230
27-94976	32410	31-30895T	11420	32-864959	26240	39-817096A6	14210
27-94996T2	39622	31-30956T	11410	32-864960	26190	398-173	72120
27-96171 1	32420	31-32573A1	21560	32-87234	26110	398-174	70160
27-96278	32440	31-32575T1	21511	32-87235	26120	39-821695A4	14171
27-96281T01	35880	31-32898T	22780	32-8M0090859	47230	39-821695A6	14181
27-96429	33570	31-33138A1	21584	32-90949T	89090	398-2202	70170
27-96761 1	32450	31-35928T1	21590	32-99904Q	26210	398-2203	70670
27-98185 3	32320	31-35988A12	21520	3302-804689	40740	39-822321A1	14950
27-98769 1	32960	31-35990A1	21540	3302-804844002	76086	39-822321A12	14940
27-98823 1	32500	31-36387A1	21580	3302-804845	76085	39-822321A2	14960
27-99173 2	32510	31-38356A1	21630	3302-9407	40750	39-827179A12	24670
27-99176 4	32520	31-41326	11426	33261	72490	39-848202A12	14970
27-99177 2	32530	31-42647A1	21610	33708	71520	39-853306A12	14570
27-99326 1	32360	31-42677A1	22960	33765T	71530	39-85636A4	14260
27-99506 1	32160	31-43013T3	16510	34127T2	12740	39-857120T12	14580
27-99757	32170	31-53079A1	21570	34235Q1	72610	39-857121T12	14590
27-99776 1	32540	31-61100A1	21510	34235T	70020	398-693	70680
27-99777 2	31520	31-62091T	11431	34682	21060	39-875252A12	24680
27-99777A1	39320	31-62596A1	16210	34762A1	12750	39-875257A12	24690
27-99960	31830	31640Q4	12670	34765A2	89240	39-877544A12	14870
27-F406406	37370	31640T6	12671	35-49088Q2	24880	39-878106A12	14880
27-F433168	37380	31-66818A1	21550	35-53336Q	24840	39-93481A12	14240
27-F433406	37390	31-67445	22800	35-802893	24942	39-96170A12	14910
27-F440906	37400	31-69220T	22980	35-802893Q01	24940	39-96170A3	14920
27-F481836	37420	31-74248T	16520	35-802893Q01	24941	39-96170A4	14930
27-F523031	37430	31-77420A1	21585	35-802893Q4	24950	41674T	47133
28-30281	11080	31-78172A1	21830	35-802893Q4	24951	41802	86217
28-8M0032833	11071	31-803029T1	11800	35-803897Q1	24850	42037	22210
28-8M0032834	11070	31-803031T1	11810	35-816296Q03	40145	42037 1	21281
28-F523498	89597	31-803033T1	11820	35-816296Q2	40155	42121Q02	12907
29-20046T	16100	31-803068T1	25110	35-8M0060041	24964	42200	12494
29-20063	16140	31-803090T1	25120	35915	23141	42375	23201
29-26815	16110	31-803094T1	25130	35-93568	24810	42724A3	12200

GLM Products, Inc.

CROSS REFERENCE - MERC to GLM

MERCURY	GLM	MERCURY	GLM	MERCURY	GLM	MERCURY	GLM
42785	72240	44-12238T	11153	47-19453Q2	12044	5-5010130CP	20500
42909A4	40280	44267T	50760	47-19453T	89616	5-5010147CP	20100
42943A1	16600	44-75365	11156	47-22748	89600	5-5010162CP	20200
43023	85180	44-850308	11155	47-42038Q02	89451	5-5010181CP	20300
43023 2	85190	44-93003	11152	47-42038T3	12306	5-5010194CP	20400
43055A4	12342	44-94148	11151	47-43026Q06	12043	5-5121200TP	20600
43-12635T	11570	45-41939F1	11110	47-43026T2	89630	5-5121300TP	20700
43-18411A2	11210	45-42634	11120	47441A1	13220	5-5121500TP	20800
43-18411A4	11212	45-42646	11162	47442A1	13710	5-5121600TP	20900
43-19671T	11576	45-43031A1	11160	47530	22212	55131A5	13550
43436	21432	45518A3	21140	47-59362A4	12082	55278A1	40320
43-44102A2	11660	45518T1	21144	47-59362Q08	12085	55278A4	40340
43-44102A7	11670	45522A3	87412	47-59362T1	89740	55278A5	40330
43-44104A8	11450	45522T1	21981	47-59362T5	12083	55989Q9	12700
43-44104T2	11440	45-55796	11130	47-59362T6	12084	55989T3	12735
43-45814A5	11220	45-557961	11131	47594	13080	56678A1	40300
43-55778A3	11240	45589A3	21420	47735A17	51264	59078	13020
43567T1	11396	45706A14	21980	47736A17	51266	59078Q3	13370
43-68447T1	11350	45726	21940	47-803630T	89450	59369	21070
43-68548T3	11340	45-76088A2	11166	47-80395M	89850	59501A1	22401
43713	86711	45-812731	11167	47-84027T	89880	59503	12504
43-75325A3	11230	45-816919	11140	47-84797M	89890	59826A3	11510
43-76250T	11360	45-826736A1	11164	47-85089-10	89640	60252A2	51010
43-79158T	11462	45-897624T	11161	47-85089T4	12107	60932A4	89050
43-803037T1	11566	45-98180	11165	47-862232A2	89700	61075	21851
43-803069T1	25135	45-98682A1	11163	47886T	72430	61851A2	50330
43-803071T1	25145	46020T02	28310	47-89980	89800	62092T	77040
43-803073T1	25155	46-42040T5	12305	47-89980T1	12271	62104 1	21421
43-803079T1	25115	46-42089A2	12424	47-89981	89810	64877 1	13808
43-803091T1	25125	46-42089A5	12051	47-89981Q1	12270	65057T1	72410
43-803101T1	11245	46-42579A3	12360	47-89982	89820	65091Q01	21280
43-803102T1	11216	46-43024A7	12094	47-89982T1	12260	65533A1	86712
43-803103T1	11217	46-44292A3	12320	47-89983T	89830	65848	13805
43-803104T1	11227	46-44292A3	12322	47-89983T1	12250	66081A2	28370
43-803105T1	11237	46-44292A4	12120	47-89984T4	89840	68100 1	23140
43-803106T1	11247	46-48747A1	12343	47-89984T5	12290	69386T1	11382
43-803112T1	11225	46-48748A1	12330	47-96305M	89860	700-859562A5	14830
43-803114T1	11235	46-48748T1	12333	47-97108M	89910	700-859562T17	14810
43-803116T1	11215	46-57234A1	12310	47-F436065 2	89614	700-859563A5	14840
43-803118T1	11246	46-57234T1	12311	47-F462065	89615	700-859563T17	14820
43-803119T1	11226	46-60366T1	12010	48752T	12810	700-879858T08	24600
43-803120T1	11236	46-70941A3	12122	48753	12860	700-896961A02	24610
43-803497T1	11452	46-70941T01	12433	48-807151A8	22726	700-896962A02	24620
43-803498T1	11454	46-72774A32	12093	52699	21110	705-850026T2	14800
43-803499T1	11562	46-73640A1	12020	52-803486T1	11950	705-850026T3	14790
43-803500T1	11560	46-73640A2	12180	52-803487T1	11940	70977T	12817
43-803501T 2	11565	46-77177A1	12030	52-803488T1	11900	70981A3	89070
43-803615T2	11675	46-77177A3	12100	52-803489T1	11910	72963A9	51196
43-803619T1	11780	46-77822A1	12420	52-803490T1	11920	73345A1	21290
43-813695T	11572	46-807151A	12115	52-803491T1	11930	73813A1	51030
43-818807	19360	46-807151A14	12088	52-803492T1	11960	74639A2	89080
43-822163T1	11464	46-807151A9	12097	52-821314T	11066	75692	13010
43-824986A2	11460	46-812966A11	12095	52-822539T	11061	75692A6	13360
43-824987A2	11680	46-812966A12	12124	52-823174T	11062	75692A7	13490
43-828072A3	11091	46-812966A7	12352	52-850048T	11063	75692Q2	13340
43-828073A1	11013	46-81416T	12446	52-853594T	11060	75832T	28010
43-828175A1	11685	46-817853T1	12412	52-859340T	11064	75832T	28020
43-850034T	11575	46-821307A2	12358	52-92911T	11065	75832T1	28030
43-850036T	11577	46-821351A3	12426	53114A1	89060	76039A	11184
43-853640A2	11222	46-83396M	12444	53-23720	21772	76062A1	21150
43-853641A2	11214	46895	12540	53-29641	21136	76214 4	12734
43-853642A2	11244	46-94913A5	22725	53-805272	21770	76214A6	12716
43-853643A2	11233	46-96146A5	12370	53-815949	21771	76214Q5	12710
43-85462T	11790	46-96146A6	12350	53-880719	21775	76351A04	51120
43-859321A3	11710	46-96148A 8	12130	54-38863	21790	765-7441T32	14125
43-859322A1	11720	46-96148A8	12140	54-815504320	21791	765-7441T36	14120
43-878087A2	11092	46-96148A8	12150	54-815504348	01070	765-7442T32	14115
43-878087A4	11312	46-96148A8	12280	54-815504372	01100	765-7442T36	14110
43-881260A5	11567	46-96148T1	12410	54-815504456	01056	765-7443A11	14145
43-92320T	11020	46-99157A02	12423	54-816311T	21465	765-7443A12	14140
43-96084A4	11300	46-99157T2	12014	54-86049	89440	765-7444A11	14135
43-96084A7	11100	47-11590M	89870	549281	11430	765-7444A12	14130



GLM Products, Inc.

CROSS REFERENCE - MERC to GLM

MERCURY	GLM	MERCURY	GLM	MERCURY	GLM	MERCURY	GLM
765-7445A12	14160	807477A5	50600	821354A2	12045	86596T	13801
765-7445T11	14165	807929A1	12341	821578	11186	86779A1	28372
765-7446A11	14155	807988Q03	51140	821629A2	12751	86840A05	89140
765-7446T12	14150	808483Q1	71810	821629Q1	12711	86992A5	16460
76668A3	51194	808483T3	71400	821630A2	12752	87290A23	13231
766-8666A43	14340	808500	40040	821630Q1	12712	87290A4	13230
766-8666T41	14325	808534T	72250	821631Q1	12713	87399A2	26380
766-8666T42	14320	809064	76140	821631T3	12749	87399A3	26580
766-8667A43	14330	809065	76170	821932	22211	878453	81552
766-8667T41	14315	809463A1	72450	821932 1	21282	878670	34500
766-8667T42	14310	809570 1	40960	822157T2	12676	878671	33670
76771A2	51190	809658	12728	822158	89083	878695	33550
76850A2	11500	809658A1	12727	822777Q1	12680	878751	36630
76865	11040	809660	12705	823426A1	76150	878890	12070
77442A1	21930	809660A1	12706	823427A1	76068	878992	33920
77481 1	21030	809662A1	12717	823547-1	85181	879027	86370
774-9137A10	14030	809662T	12707	823547A2	87514	879346T30	12664
774-9137A11	14050	809664A1	12718	823548T	21019	879487	71140
774-9137A9	14010	809666A1	12708	823727	40780	88035	11620
777-815965A5	14670	809666T	12758	824519 1	23200	882751A1	73040
777-815965A6	14680	809668A1	12729	825271 1	12918	883885	15400
777-815965T4	14660	810738	77270	826134Q	12675	884727	15100
777-9009A6	14770	810749 2	40620	827251A1	13142	885599-1	13600
777-9009A7	14780	810749-3	40630	827955A2	16630	888755Q03	12721
777-9009T13	14760	811534	40770	828287	26430	888755Q04	12753
780-9229A10	14380	811536T	77240	828692A1	28402	888756Q03	12722
780-9229A7	14370	811635Q2	71830	835257Q5	21305	888756Q04	12754
78385	72210	811635T3	71420	850055001	13140	888757Q02	12723
783-9613T1	14070	811637001	73190	850055A2	13141	888758Q02	12724
783-9613T2	14080	811639T	72130	850307	11185	888760Q03	12725
783-9613T3	14090	811641	73400	850315A1	11182	888760Q04	12890
78458A1	89150	811990M	12746	850399 1	15201	888761Q03	12726
785-9737A10	14430	812881A1	16610	850454 1	15301	888761Q04	12891
785-9737T4	14415	812882 1	13802	850484T2	71410	889735	13143
785-9737T9	14410	812887002	13809	850484T3	71820	89031A1	40350
785-9738T10	14440	8129291	11188	85060	26390	89031A2	40360
785-9738T4	14425	814819A2	28050	850752 2	21080	89031A3	40370
785-9738T9	14420	814819A2	28070	85083	12490	89031A4	40380
78984A08	13530	814819A3	28315	853635	28312	89-18080	72460
79911A1	26420	815407A2	71500	858452 1	81554	893857	85182
801766	72630	815407T5	71790	858498	21303	895338	13200
801767	72670	815471T1	21453	859772 1	81553	89594A1	11180
801768	72640	815919A1	21031	860235A03	51214	89-76416A1	72360
802099	89690	815932	10991	860246Q11	51230	89-817109A2	72500
802180	72270	815935A7	26530	861188A1	13540	89-818997T1	72402
802378A2	22411	815935T	26531	861579	22213	89-818999A2	72380
802417	76088	815954A7	26520	861676A1	77115	898253003	70530
803060T1	13800	815954T	26521	861677T	77100	898253007	70040
803061T1	13124	816431A1	89180	861678A1	77113	898253008	71020
803062T1	13810	81-6485158034	70540	862048A1	77116	898253010	71100
805185A36	71250	816597A1	12824	862077A1	77011	898253011	71120
805185A37	71240	816607	89181	862209	89141	898253012	71110
805629A1	51020	816685	21419	86234A05	77114	898253013	71150
805759T1	71510	816770T	72310	86246T	77070	898253T22	71660
805759T3	71780	816811 2	28350	86247T	77090	898253T23	71650
806105A2	12755	817001A1	16620	863714T01	50017	898253T24	72110
806105Q1	12702	817019Q2	90070	863715T01	50018	898253T27	72113
806188A2	12757	817275A08	12013	864244A2	28060	898253T28	71870
806188Q01	12756	817275A09	12121	864244A2	28090	898253T29	71860
806189A2	12715	817275A1	12415	864281A01	28316	89-850187T1	72401
806189Q1	12703	817275A2	12416	864281A01	28319	89-850188T1	72470
806190A2	12714	817275A5	12098	864281A2	28080	89-853654A1	72370
806190Q1	12704	817275A6	12096	864282T	28322	89876A3	25000
806191T	11610	817275Q5	12414	864591T02	51148	89949A1	12720
806673T1	72114	817276 1	12500	865182Q01	12765	89-96054T	72390
807078T08	51240	818298Q1	12690	865436A02	21451	89-96158T	72400
807166A1	89175	818298T3	12909	865436A02	21710	8M0007131	12366
807252Q3	13380	818349T1	11030	865436A03	21450	8M0057307	13610
807252Q4	13390	818574	81555	865437A02	21711	8M0058677	12944
807252Q5	13101	818598T	50016	865492T	28345	8M0095485	21965
807252T1	13030	818763A10	11405	865496A01	28040	8M2011027	21120
807252T2	13100	821354 2	12505	865503T	28110	8M2015937	12663

TOC

Manifolds-Merc.

Manifolds-OMC

Manifolds-Volvo

Manifolds-Barr

MerCruiser

Merc / Mar / For

Merc / Volvo

OMC / Evin

Johnson / Evin

Yamaha

Index / X-Ref.

Warranty

GLM Products, Inc.

TOC

CROSS REFERENCE - MERC to GLM

Manifolds-Merc.

Manifolds-OMC

Manifolds-Volvo

Manifolds-Barr

Merc/Cruiser

Merc / Mar / For

OMC / Volvo

Johnson / Evin

Yamaha

Index / X-Ref.

Warranty

MERCURY	GLM	MERCURY	GLM	MERCURY	GLM	MERCURY	GLM
90363A1	40390	91-805475A1	90050	96705A1	51212	F010790	40980
90736A18	13520	91-818162	90470	97351	12920	F435562-1	12492
90736A24	13221	91-859046M1	90064	98432T6	12908	F523562	12503
91-12037	90110	91-859046M2	90063	98504A3	51110	FA523735	12835
91-17256	90100	91-859046M3	90062	98703A26	26470	FK10004	40500
91-31107T	90140	91-859046M4	90061	98703A3	26410	FK10352	40450
91-31229	90280	91-859046M4	90065	98703T	26411	FK1060	87800
91-36569T	90270	91-859046Q3	90066	98703T	26412	FK1061	87801
91-37241	90150	93224A1	12428	98704A26	26460	FK1062	87802
91-38628T	90260	93320A13	50310	98704A3	26400	FK1063 2	87803
91-43506T	90240	93320A14	50300	98704T	26401	FK1065	87804
91-45497A1	90360	93320A14	50340	98704T	26402	FK1068	87805
91-56048001	90160	93320A15	50320	98825A4	21970	FK1069	12011
91-56775T	90220	93322A10	50620	99155T1	13421	FK1203 1	87807
91-60523	90170	93322A12	50610	99155T2	13040		
91-60526T	90180	93423 1	21870	99155T2	13420		
91-61067A04	90210	93424 1	21880	99297A1	21040		
91-61069T	90190	94576	12501	99370A2	89160		
91-61077T	90230	94916	12502	996642	10562		
91-78310	90200	94998A4	28400	99746A17	51220		

CROSS REFERENCE - OMC to GLM

OMC	GLM	OMC	GLM	OMC	GLM	OMC	GLM
38543	70030	910599	72210	3853796	15400	0175266	22200
300583	89720	912212	28315	3853814	71600	0175267	22340
302325	22360	912213	28100	3853815	71560	0175268	22350
303059	81120	912471	31015	3853850	15201	0175269	22222
305270	82230	912955	39840	3853869	72460	0201809	22376
305739	80100	913746	85980	3854001	72130	0202893	80120
306470	21496	914812	36150	3854003	73190	0203130	34010
307853	80090	914971	36160	3854017	15100	0203132	12600
309989	86370	915716	28020	3854218	71140	0300611	89594
310585	81160	916221	36170	3854299	36100	0300771	89596
311069	31340	979719	76082	3854300	30359	0301824	81070
311538	21139	980893	70010	3854406	36280	0301877	45230
312456	24880	980894	70510	3854858	77115	0301917	82220
312797	35060	981939	89611	3855033	21893	0301967	81170
313992	85010	982384	76068	3855081	81080	0302035	82120
315713	21896	982538	76081	3855991	15301	0302290	21492
318544	21731	982539	76096	3856443	32640	0302337	82260
320120	27742	982880	71060	3858870	51450	0302493	82170
320775	12814	983864	76150	3861459	51500	0302497	86492
321357	80080	983871	77220	3862627	51337	0302537	81260
321921	81230	983937	21905	5006653	24060	0302540	82140
322501	81250	985052	76088	5006704	24034	0302557	33210
322636	27723	987024	77121	5030610	12846	0302564	86350
326649	81140	987925	72660	5030907	12857	0302588	82240
328701	21761	3850740	22379	5031536	12855	0302804	22100
329241	21720	3850812	28030	5032091	12856	0303067	81100
335523	81540	3852002	21493	5033107	12456	0303069	12552
336535	28352	3852058	21675	5033112	89970	0303191	80110
337085	86800	3852109	31370	5033113	89584	0303339	34040
380147	77210	3852440	21899	5033114	12532	0303345	86360
380455	77010	3852455	33790	5034351	12763	0303347	81110
381389	77200	3852472	33760	0121731	21180	0303360	82150
384538	72270	3852565	81180	0123018	22387	0303615	34080
387041	22810	3852658	30110	0125530	34220	0303630	31172
389637	27704	3852664	39850	0126776	10563	0303750	34090
389844	12065	3852687	30357	0126870	22221	0304023	33220
397768	12741	3852692	30100	0127084	22230	0304026	86483
473424	85490	3852693	32210	0160084	22491	0304027	22375
508503	81430	3852818	30470	0172521	72800	0304174	80140
508713	39130	3852830	22398	0172522	72810	0304762	33230
508886	39470	3853341	85780	0172523	72820	0304764	34120
509263	24850	3853373	22482	0172525	72840	0304784	36630
586842	72360	3853404	21248	0172527	72610	0305123	82400
777129	89690	3853412	32170	0172531	72680	0305146	82080
908237	36140	3853513	30350	0172806	72830	0305176	33240
908729	35070	3853548	72110	0173029	12730	0305185	24830
910582	82250	3853628	50007	0173619	72620	0305196	33250



GLM Products, Inc.

CROSS REFERENCE - OMC to GLM

OMC	GLM	OMC	GLM	OMC	GLM	OMC	GLM
0305218	33260	0313168	23328	0315869	34850	0321027	46180
0305242	82030	0313175	82480	0316355	21249	0321028	34370
0305282	22329	0313176	12590	0316499	33480	0321120	86130
0305512	33200	0313184	27960	0316506	22490	0321129	86499
0305586	34150	0313185	23345	0316563	22300	0321182	33590
0305749	28353	0313186	23346	0317230	21643	0321183	34380
0305762	86140	0313187	23347	0317232	23620	0321184	33600
0305981	21490	0313188	23348	0317245	46150	0321220	46160
0305987	86380	0313189	23349	0317254	36650	0321221	46140
0306048	34030	0313190	23350	0317305	34860	0321222	46120
0306358	21678	0313193	23333	0317477	31174	0321435	33620
0306376	22145	0313194	23334	0317624	22362	0321453	85120
0306394	22142	0313195	23335	0317893	21466	0321459	86150
0306643	22370	0313196	23336	0317914	34290	0321466	86160
0307069	35990	0313197	23337	0317951	34870	0321467	86060
0307082	82310	0313198	23338	0317955	34300	0321479	34390
0307099	33550	0313199	23339	0318156	33510	0321480	86170
0307103	81470	0313200	23340	0318303	22673	0321481	86180
0307133	33280	0313202	23312	0318304	22672	0321497	35180
0307161	21763	0313203	23313	0318335	33530	0321692	86481
0307239	82200	0313204	23314	0318358	33540	0321722	33630
0307450	80130	0313205	23315	0318372	45200	0321738	34410
0307551	22420	0313206	23316	0318373	34880	0321786	86420
0307583	32650	0313228	27860	0318395	46170	0321787	86190
0308239	24820	0313244	34750	0318573	19311	0321788	86430
0308328	33290	0313246	34760	0318609	34310	0321794	34430
0308458	81290	0313282	86390	0318717	83250	0321830	85126
0308590	11056	0313283	86740	0318917	34890	0321831	86760
0308591	28450	0313284	86410	0318924	34970	0321886	10561
0308592	34180	0313339	11192	0318925	34320	0321895	86770
0308621	82350	0313340	81310	0318932	34980	0321907	33660
0308624	81190	0313353	86050	0318962	36640	0321928	86200
0308626	81270	0313368	33010	0318966	22241	0321932	34440
0308627	82280	0313413	33400	0318971	22160	0322494	81370
0308699	28440	0313416	34260	0318972	86120	0322858	34450
0308768	86652	0313445	21774	0318995	12610	0322938	27740
0308799	33060	0313446	82370	0319085	83200	0322941	27710
0308825	22388	0313447	21641	0319174	33180	0323214	34460
0308876	81400	0313448	21135	0319276	12950	0323222	34470
0308883	27820	0313623	19351	0319332	34990	0323292	33670
0308928	89595	0313715	22368	0319348	33190	0323338	34480
0309044	86110	0313754	81340	0319586	34330	0323361	23580
0309204	34200	0313763	33410	0319633	35840	0323362	23590
0309243	22393	0313782	33850	0319661	34340	0323459	34490
0309955	22110	0314008	86490	0319662	81330	0323469	33680
0310058	30610	0314082	33420	0319665	33560	0323582	34130
0310414	82390	0314115	34640	0319710	34350	0323626	22380
0310584	82100	0314167	86400	0319890	22270	0323664	22633
0310597	86320	0314322	34740	0319891	22170	0323889	23600
0310599	85110	0314390	31173	0319895	22683	0323890	23610
0310649	86040	0314421	33430	0320041	22400	0323942	22255
0310870	22483	0314438	90350	0320107	21465	0323943	22260
0311068	31550	0314491	80220	0320140	82130	0324037	27741
0311121	33330	0314502	22120	0320145	21105	0324097	12813
0311130	33340	0314503	22150	0320166	23530	0324323	33690
0311145	34000	0314730	11190	0320167	23540	0324334	22321
0311210	36130	0314731	21642	0320168	23550	0324369	11052
0311338	80180	0314745	23510	0320303	82320	0324449	33511
0311364	36660	0314809	33440	0320305	22240	0324516	34500
0311365	36670	0314876	33450	0320310	21133	0324637	32692
0311508	34230	0314880	86571	0320310	22044	0324639	86510
0311552	33920	0315052	33460	0320311	11051	0324640	12555
0311555	32970	0315055	34700	0320570	22190	0324641	12818
0311598	31171	0315189	33050	0320679	35000	0324717	35190
0311875	90480	0315232	23203	0320785	22130	0324766	21644
0313065	33170	0315538	34780	0320862	85130	0324852	22394
0313080	86700	0315578	34790	0320880	46100	0324937	86210
0313163	23323	0315788	86580	0320936	85830	0324960	22361
0313164	23324	0315810	22250	0320943	86480	0324981	86570
0313165	23325	0315837	86494	0320961	85840	0325040	36810
0313166	23326	0315838	12940	0320981	12620	0325092	33740
0313167	23327	0315868	34800	0321008	86500	0325211	35200

TOC

Manifolds-Merc.

Manifolds-OMC

Manifolds-Volvo

Manifolds-Barr

MerCruiser

Merc / Mar / For

OMC / Volvo

Johnson / Evin

Yamaha

Index / X-Ref.

Warranty

GLM Products, Inc.

CROSS REFERENCE - OMC to GLM

OMC	GLM	OMC	GLM	OMC	GLM	OMC	GLM
0325229	36860	0331585	35680	0336308	35810	0344046	86656
0325260	35320	0331598	35730	0336388	36520	0344227	86493
0325273	36310	0331880	21138	0336389	36530	0344386	36510
0325397	12816	0331894	10562	0336430	32560	0344470	89593
0325398	12564	0331901	89591	0336493	86014	0344472	35470
0325399	36850	0331916	34610	0336530	33150	0344526	36620
0325535	34510	0331917	34620	0336561	22624	0345257	36320
0325537	34520	0331979	22323	0336565	21651	0345905	22407
0325721	33080	0331980	22324	0336574	22653	0345992	22632
0326260	33090	0331998	22365	0336821	36550	0346005	22408
0326264	35330	0331998	22458	0336947	86215	0346006	22409
0326668	27711	0331999	22371	0336982	45290	0347371	22403
0326670	27722	0332000	86540	0337061	22363	0349193	21654
0326716	86750	0332010	33860	0337067	11045	0350038	32800
0326741	82460	0332108	34630	0337068	36870	0350271	22373
0326849	82440	0332130	36590	0337533	13580	0350357	36540
0326926	34530	0332253	86654	0337774	22625	0351018	35340
0327031	86450	0332261	86520	0337778	21885	0351019	35360
0327035	86496	0332266	35740	0338174	11058	0352165	33020
0327223	37780	0332319	35750	0338222	36020	0353076	86470
0327236	35350	0332369	33650	0338484	33730	0354579	12828
0327345	22493	0332489	22662	0338485	12580	0354580	12827
0327656	21645	0332491	22663	0338486	12811	0354731	81380
0327669	21646	0332514	21647	0338504	28351	0375761	21547
0327674	33700	0332583	86640	0338518	81450	0375792	77320
0327707	34540	0332584	86659	0338522	81300	0376856	11425
0328096	22366	0332816	35830	0338601	86495	0377139	21860
0328590	35370	0332817	35940	0338632	13720	0377992	89470
0328604	35380	0332818	35960	0338635	12762	0378251	16240
0328618	34550	0332819	35820	0338813	37760	0378252	22800
0328622	35390	0332944	13730	0338876	33110	0378444	72420
0328623	34400	0333008	34420	0338878	33120	0379504	22860
0328626	35400	0333348	37798	0338879	33370	0379585	21545
0328725	22351	0333564	35760	0338880	33130	0379628	27931
0328743	21659	0333592	22220	0338882	37800	0380186	76111
0328744	22395	0333670	34590	0338883	37799	0380537	70530
0328751	12812	0333677	22335	0338884	33140	0380538	70020
0328753	86230	0333725	21648	0338886	33100	0380541	71540
0328754	21427	0333758	86497	0338893	12570	0382133	71580
0328755	12630	0333771	21649	0339044	33070	0382135	70060
0328825	21137	0333780	27942	0339620	86440	0382136	70580
0329076	35410	0333858	11054	0339720	12472	0382165	21546
0329103	33830	0333879	35780	0340115	35930	0382212	21544
0329319	34110	0333957	27850	0340116	35970	0382343	11430
0329390	34560	0334043	37795	0340616	37797	0382363	77290
0329718	33610	0334163	27730	0340619	12815	0382407	22870
0329826	35420	0334353	37840	0340657	37793	0382408	16300
0329828	35430	0334590	22242	0340811	86487	0382883	22423
0329830	35440	0334897	89592	0341013	22384	0383307	13060
0329836	34280	0334950	86810	0341038	12551	0383440	72260
0329920	34580	0335070	37790	0341085	37791	0383587	71520
0329922	86240	0335076	86658	0341219	22457	0384087	12450
0329923	86250	0335115	37792	0341220	22374	0384195	22880
0329975	35460	0335334	04095	0341280	86011	0384735	71020
0330137	86030	0335359	34250	0341281	86012	0385043	16310
0330263	22367	0335360	33870	0341501	37796	0385068	16320
0330265	21674	0335361	34240	0341732	86491	0385072	89612
0330273	46110	0335403	86650	0342370	86216	0385087	22722
0330327	86270	0335404	86651	0342421	11042	0385175	21511
0330560	12440	0335419	36560	0342513	33640	0386084	89770
0330621	33710	0335503	35790	0342786	86013	0386279	23710
0330698	35480	0335633	35800	0342870	86498	0386280	23730
0330818	34140	0335648	37770	0343020	11044	0386573	33750
0330909	35490	0335818	86211	0343105	13251	0386764	22890
0331016	34600	0335819	86212	0343115	11043	0386765	22900
0331101	35500	0335981	86213	0343141	13240	0386766	11423
0331103	86790	0336178	13570	0343512	37794	0386866	22245
0331107	89590	0336179	11038	0343613	86657	0387067	22728
0331211	35950	0336185	21658	0343809	35770	0387247	11410
0331307	04092	0336211	11041	0343853	36500	0387262	40700
0331353	86660	0336226	36570	0343863	35450	0387336	27756
0331532	35540	0336227	36580	0343977	11053	0387656	16330



GLM Products, Inc.

CROSS REFERENCE - OMC to GLM

OMC	GLM	OMC	GLM	OMC	GLM	OMC	GLM
0387787	22820	0398327	40155	0439002	24300	0907885	51060
0387817	21610	0398514	40830	0439014	14180	0907891	22399
0388602	39360	0398529	22930	0439014	24580	0907932	31440
0388651	27754	0398693	39070	0439071	40510	0908014	50100
0389039	22910	0398873	12742	0439072	40550	0908034	24840
0389042	16340	0398874	11422	0439073	40600	0908062	22030
0389133	12232	0398901	16370	0439075	40530	0908063	22010
0389455	27700	0431642	28200	0439076	40570	0908064	22330
0389576	89500	0431708	12737	0439077	12210	0908069	22020
0389577	12436	0431844	24290	0439078	40580	0908079	31570
0390286	89990	0431870	24250	0439083	39370	0908087	22411
0390509	24570	0432264	22940	0439084	39350	0908158	22320
0390510	24590	0432276	11416	0439085	39080	0908194	81550
0390613	12474	0432397	12761	0439138	22421	0908383	81440
0390700	39355	0432570	39400	0439185	22418	0908594	86330
0390900	22920	0432955	12246	0439476	22720	0908765	30381
0391170	24310	0432962	40840	0439538	24350	0908855	86590
0391365	27702	0433458	12736	0439559	39351	0908870	27970
0391416	24330	0433550	87614	0439967	87656	0908871	27990
0391481	23810	0433570	22681	0439973	28700	0908890	27980
0391508	77300	0433941	39420	0502880	72020	0908935	32980
0391653	23850	0434137	13170	0502881	72030	0909019	86340
0391741	12247	0434153	22225	0502888	72040	0909048	41120
0391988	39090	0434381	39430	0502890	72050	0909121	22412
0392123	12733	0434391	11390	0502905	24930	0909123	22515
0392160	12696	0434424	89580	0508105	39630	0909139	42140
0392461	12695	0434467	22950	0509217	87700	0909140	80230
0392462	12738	0434588	27940	0552906	22140	0909222	22485
0393088	40810	0434844	16230	0552938	21160	0909232	89221
0393103	40820	0435027	12880	0553126	82360	0909316	81280
0393561	34650	0435123	22651	0554545	81220	0909369	50720
0393630	12070	0435274	27790	0580148	70070	0909371	89223
0393632	12470	0435390	12460	0580256	70590	0909386	22327
0394408	46130	0435491	13130	0580290	70080	0909515	33900
0394411	13190	0435519	22726	0580321	70570	0909527	86710
0394546	39380	0435597	13330	0581207	70200	0909529	33470
0394711	12050	0435918	40135	0581419	70640	0909604	34690
0394930	24210	0435957	46132	0581528	72440	0909609	50730
0395072	12103	0435990	12395	0581726	75330	0909610	50740
0395073	12101	0436195	13150	0581778	72350	0909638	22307
0395209	22414	0436251	24360	0582382	72070	0909747	81090
0395270	12060	0436254	24340	0582508	72010	0909753	22410
0395289	89750	0436289	24370	0583408	72320	0909758	31740
0395401	22840	0436290	24390	0583740	72060	0909786	33810
0395627	16220	0436353	14170	0584128	72404	0909863	51320
0396041	22850	0436354	14190	0584477	72100	0909902	33950
0396350	87602	0436358	39353	0584561	72080	0910113	33820
0396351	87680	0436745	12776	0586224	73010	0910236	34720
0396352	87690	0436746	22631	0763735	89490	0910238	82520
0396355	87603	0436888	22416	0763891	50780	0910240	27950
0396377	24240	0436891	39410	0764197	12391	0910280	51070
0396378	24260	0436972	24540	0764799	22280	0910309	27890
0396379	24280	0436973	24560	0765012	34570	0910310	27721
0396504	24230	0437090	13110	0765350	89460	0910311	27870
0396514	77310	0437155	39352	0765350	89790	0910384	51080
0396520	40730	0437288	11424	0765431	89940	0910389	22489
0396521	40710	0437297	22652	0765461	86080	0910539	27880
0396522	40720	0437327	40520	0765642	12640	0910551	22473
0396644	12255	0437330	21677	0775518	89650	0910953	21773
0396701	40560	0437725	39510	0775519	89670	0911019	86070
0396725	89710	0437907	12233	0775521	89480	0911316	27840
0396750	39354	0438050	28600	0777128	89950	0911662	23371
0396987	13080	0438543	12400	0777130	89760	0911663	23372
0397087	11392	0438544	12480	0777212	89680	0911664	23373
0397338	22671	0438545	12482	0777213	89660	0911665	23374
0397537	16350	0438579	12244	0777214	89780	0911666	23375
0397538	16360	0438592	12245	0853868	87110	0911667	23376
0397627	22661	0438602	12240	0907761	32580	0911668	23381
0397768	12683	0438616	40850	0907764	33930	0911678	23361
0398042	22185	0438904	39390	0907774	86100	0911679	23362
0398172	39930	0438996	40590	0907775	32990	0911680	23363
0398319	40165	0439001	24220	0907866	22310	0911681	23364

TOC

Manifolds-Merc.

Manifolds-OMC

Manifolds-Volvo

Manifolds-Barr

MerCruiser

Merc / Mar / For

OMC / Volvo

Johnson / Evin

Yamaha

Index / X-Ref.

Warranty

GLM Products, Inc.

CROSS REFERENCE - OMC to GLM

OMC	GLM	OMC	GLM	OMC	GLM	OMC	GLM
0911683	27920	0980892	71050	0985662	36190	3853397	21753
0911685	86530	0981195	86010	0985662	39830	3853423	23094
0911692	22405	0981220	22422	0985713	72200	3853430	22315
0911693	22406	0981229	27300	0985723	77120	3853431	21757
0911697	21676	0981268	86090	0986357	77104	3853434	22486
0911698	34771	0981797	87620	0986380	29940	3853608	89229
0911699	27900	0981799	87651	0986381	29910	3853655	86610
0911700	82430	0981801	87652	0986382	29920	3853786	21791
0911702	34770	0981911	24901	0986658	21032	3853799	13070
0911703	12760	0981920	24900	0986669	28910	3853806	21042
0911704	86630	0982063	77040	0986759	85960	3853818	12774
0911705	86620	0982063	77101	0986838	27750	3853833	72290
0911706	12960	0982209	71590	0986844	29930	3853860	01100
0911709	22404	0982211	71040	0986979	22630	3853930	12698
0911710	12962	0982226	27000	0987242	28830	3853934	21611
0911713	22471	0982230	24910	0987603	87654	3854002	72113
0911714	22472	0982244	22518	0987661	21715	3854061	12682
0911715	12961	0982259	22512	0987800	28820	3854127	89200
0911718	81210	0982261	22510	0987926	72650	3854130	12699
0911733	33910	0982336	71570	3850360	22600	3854161	72116
0911734	28408	0982342	71090	3850495	33770	3854217	71640
0911750	27800	0982422	22730	3850594	87740	3854249	21581
0911751	21111	0982424	22413	3850799	51340	3854250	21512
0911752	23202	0982438	12772	3850814	28317	3854267	73420
0911753	28460	0982439	27780	3850852	21582	3854286	89610
0911826	89210	0982476	22567	3850853	21583	3854286	89620
0911878	33960	0982477	22580	3850942	21586	3854311	71110
0911937	28470	0982478	22590	3851342	11170	3854331	71410
0911961	11039	0982486	27500	3851981	30370	3854402	23111
0911962	11055	0982487	27200	3852093	22484	3854548	71400
0912029	22525	0982488	27100	3852217	72115	3854549	71100
0912157	22390	0982738	22570	3852272	87100	3854595	86653
0912164	33570	0982739	27400	3852279	35550	3854942	30358
0912214	28010	0982835	22530	3852309	22325	3855269	51334
0912238	22385	0982946	87630	3852315	86482	3855271	51332
0912272	90460	0982947	87640	3852317	35520	3855275	87750
0912273	90050	0982948	87653	3852347	51490	3855276	77102
0912277	90530	0982949	87650	3852350	22252	3855411	12777
0912374	89220	0982997	77118	3852467	22487	3855935	22318
0912388	33980	0983218	12190	3852468	31100	3856265	22601
0912392	23112	0983298	12390	3852473	22328	3857521	21776
0912405	31710	0983494	12773	3852476	22290	3857522	26481
0912441	51410	0983825	22520	3852538	13970	3857656	51480
0912442	51420	0983826	22560	3852539	19352	3857675	11154
0912471	32680	0983835	22544	3852540	19323	3857723	51430
0912477	33030	0983870	24980	3852542	19321	3857827	23190
0912614	47010	0983877	21542	3852548	86560	3857944	51330
0912627	01071	0983878	21543	3852560	86300	3860842	28318
0912766	36120	0983880	28325	3852561	12661	3862281	89540
0912965	30353	0983891	21540	3852562	12662	3863090	85900
0913305	33040	0983892	21541	3852563	23360	5000074	11406
0913393	33780	0983917	22522	3852568	22386	5000308	12235
0913682	51400	0983918	22562	3852604	01090	5000309	87601
0913683	51402	0983919	22532	3852622	19322	5000356	28210
0914017	90500	0983967	28406	3852656	30354	5000400	39356
0914036	89190	0984012	22540	3852657	85790	5000440	11398
0914488	21732	0984013	22542	3852691	30360	5000615	22435
0914489	28404	0984262	22514	3852696	89224	5000618	22431
0914723	26440	0984263	22568	3852742	89222	5000624	22436
0914736	21033	0984264	28320	3852742	89230	5000626	22432
0914742	21434	0984387	01200	3852830	22316	5001036	13180
0914743	21245	0984461	12091	3852865	82425	5001593	89570
0914849	36110	0984462	27770	3852866	83345	5001594	12102
0915271	90510	0984487	76120	3852959	83240	5001594	12104
0915719	33970	0984491	24970	3852970	12681	5001595	12000
0915720	27760	0984518	29900	3853283	30382	5004218	22622
0915840	34730	0984547	12775	3853326	21755	5004257	11408
0915918	21432	0984744	12405	3853372	50790	5004632	28510
0915954	27720	0984978	28900	3853378	22488	5004635	28710
0980014	27782	0985063	72403	3853384	50800	5004765	22417
0980152	71530	0985612	87655	3853386	50700	5004938	22623
0980183	22040	0985662	33940	3853396	21756	5004941	22621



GLM Products, Inc.

CROSS REFERENCE - OMC to GLM

OMC	GLM	OMC	GLM	OMC	GLM	OMC	GLM
5005034	22235	5006688	14610	5007022	28800		
5005401	28810	5006690	24160	5007089	12739		
5005744	28880	5006691	24150	5007582	12697		
5006241	27752	5006692	24500	5007671	22433		
5006310	22419	5006693	24520	5007672	22434		
5006312	28500	5006694	23740	5007968	12430		
5006373	87600	5006695	23760	5034351	12759		
5006655	24110	5006701	23770	5034522	12779		
5006656	23940	5006702	23790				
5006657	23910	5006703	24020				
5006658	24010	5006705	23950				
5006659	23800	5006706	24170				
5006660	23840	5006707	23750				
5006662	24430	5006708	14620				
5006664	23930	5006711	24190				
5006665	24130	5006712	24180				
5006666	24080	5006713	24200				
5006668	23960	5006714	14640				
5006669	24030	5006715	14630				
5006670	24410	5006716	14650				
5006675	24050	5006727	24440				
5006676	24100	5006728	24450				
5006677	24090	5006729	24480				
5006678	24140	5006730	24490				
5006687	14600	5006751	24040				

CROSS REFERENCE - VOLVO to GLM

VOLVO	GLM	VOLVO	GLM	VOLVO	GLM	VOLVO	GLM
872531	01080	835581	35160	875810	12783		
5005440	13010	835874	89611	875812	12786		
125017	45010	838929	12789	875815	12787		
1378645	36080	839253	87030	875821	12788		
1378646	36090	839423	23150	876037	73020		
21730344	89560	839534	23160	876266	87760		
240149	70100	841262	70500	876267	87770		
241669	71450	841263	71480	876268	87780		
243653	70610	841293	76102	876286	12781		
243658	71460	841836	76101	876294	89030		
243797	71470	847605	72230	876305	13381		
243799	70082	850888	23070	876631	89020		
243903	71000	850889	23240	876633	89010		
3287677	72118	852835	12782	897367	23060		
3586494	89510	852868	86713	897426	87060		
3586496	89513	853223	23092	925093	45080		
3593659	89520	853936	35010	925256	45090		
3841697	89550	854031	23011	925258	45170		
3850814	28317	854040	23110	925259	45100		
3850984	22188	854045	23040	925261	45180		
3854053	77121	854047	23050	941816	23230		
3858457	23152	855967	37100	941885	23190		
3858458	23153	856004	35170	941907	21725		
814301	23080	856036	35030	942336	21726		
814332	23171	856042	35040	942547	22444		
814356	23020	856883	51630	942615	87040		
814386	23055	856891	51510	955974	45120		
814388	23130	856894	51640	955995	45150		
814390	23180	857037	51520	956000	45160		
814396	23173	857618	35080	959794	22317		
814419	23174	858467	12852	959796	22353		
826341	23090	870690	71490	975672	45060		
82745	13993	872082	23151				
829433	12851	872096	23093				
831009	12850	872752	23013				
832534	23172	872793	12778				
832570	23100	873395	12854				
832598	12780	875407	76108				
832669	87010	875575	89530				
832675	23030	875741	87790				
832820	23091	875805	12784				
832846	23010	875809	12785				

GLM Products, Inc.

CROSS REFERENCE - YAMAHA to GLM

	YAMAHA	GLM	YAMAHA	GLM	YAMAHA	GLM	YAMAHA	GLM
	351-11-008	89540	67C-45371-00-00	12845	69L-11646-00-00	24743	6J8-44311-00-00	12452
	60X-44315-A0-00	38006	67C-W0001-22-00	87829	69L-45371-00	26678	6J8-45114-A1-00	38039
	60X-44323-00-00	12519	67F-11325-00-00	12741	69W-15312-00-00	38024	6J8-W0001-C2-00	87833
	60X-W0078-00-00	12068	67F-11325-01-00	12735	6A1-11181-A1-00	34900	6J8-W0078-A1-00	12284
	61A-11325-00-00	12716	67F-44311-01-00	12443	6AW-44311-00-00	12402	6J8-W0078-A2-00	12285
	61A-44311-01-00	12074	67F-44322-00-00	12872	6AW-44312-00-00	12863	6J9-45371-01-00	12883
	61A-44311-01-00	12079	67F-44323-00-00	12523	6AW-44315-00-00	38050	6K1-45371-00-00	12745
	61A-44322-02-00	12870	67F-44352-00-00	89624	6AW-44322-00-00	12879	6K1-45371-02-00	12843
	61A-45114-A0-00	38013	67F-45997-00-00	22178	6AW-44336-00-00	89586	6L2-41134-00-00	38040
	61A-45123-01-00	38014	67F-W0078-00-00	12275	6AW-44365-00-00	12867	6L2-44311-00-00	12455
	61A-45371-00-00	12842	67F-W4599-00-00	21254	6AW-W0078-00-00	12089	6L2-44322-00-00	12866
	61A-W0001-C1-00	87842	682-11325-00-00	12684	6BG-41134-00-00	38020	6L2-44323-00-00	12508
	61A-W0078-A3-00	12069	682-44300-01-00	12448	6CE-44311-01-00	12406	6L2-44352-00-00	89622
	61N-44311-01-00	12442	682-44315-A0-00	38107	6CE-44323-00-00	12531	6L2-44367-00-00	38304
	61N-45251-01-00	12844	682-44322-00-00	12876	6CE-44352-00-00	89300	6L2-45315-A0-00	38041
	626-44365-01-00	12869	682-44323-00-00	12515	6CE-W0078-00-00	12063	6L2-W0001-C3-00	87826
	62Y-11325-00-00	12688	682-44352-03-00	89880	6D0-41134-00-00	38012	6L2-W0078-00-00	12277
	62Y-13475-00-00	38023	682-44365-00-00	12877	6E0-44352-00-00	89860	6L5-45251-03-00	12747
	62Y-45127-00-00	38303	682-W0078-A1-00	12278	6E0-45251-12-00	12748	6N6-W0078-00-00	12264
	63D-44312-00-00	12874	682-W0078-A3-00	12281	6E5-11181-A2-00	34960	6N6-W0078-02-00	12286
	63D-44316-00-00	38008	688-11181-A2-00	34950	6E5-12411-30-00	13320	6P2-W0078-00-00	12258
	63D-44322-00-00	12873	688-11603-A0-00	14300	6E5-41134-A0-00	38030	6R5-11631-01-93	24702
	63D-44323-00-00	12524	688-11604-A0-00	14301	6E5-41135-A0-00	38028	6R5-11631-11-93	24710
	63D-45114-A0-00	38016	688-11605-A0-00	14302	6E5-44311-00-00	12077	6R5-11635-11-00	24730
	63D-45123-00-00	38018	688-41133-00-00	38035	6E5-44312-00-00	12839	6R5-11636-01-00	24752
	63D-W0001-20-00	87834	688-41134-A0-00	38034	6E5-44315-A0-00	38000	6R5-11636-11-00	24741
	63D-W0078-01-00	12276	688-44311-01-00	12078	6E5-44322-00-00	12871	6R5-11636-11-00	24750
	63P-11325-01-00	12685	688-44315-A0-00	38001	6E5-44323-00-00	12522	6R5-11642-01-93	24701
	63P-11325-11-00	12686	688-44316-A0-00	38002	6E5-44352-01-00	89930	6R5-11642-11-93	24700
	63P-11325-21-00	12687	688-44322-00-00	12862	6E5-44365-00-00	38300	6R5-11645-11-00	24720
	63V-44301-00-00	12445	688-44323-00-00	12513	6E5-44366-00-00	38301	6R5-11646-11-00	24740
	63V-44322-00-00	12809	688-44323-00-00	38110	6E5-45123-00-00	38029	6T5-45371-00-00	12841
	63V-44323-00-00	12517	688-44324-A0-00	38003	6E5-45251-00-00	12882	90119-08M13-00	22508
	63V-44352-01-00	89619	688-44352-03-00	89920	6E5-45371-10-00	12744	90119-08M14-00	22504
	63V-W0078-01-00	12066	688-45114-A1-00	38033	6E5-W0001-F1-00	87831	90119-08M15-00	22429
	646-44352-01-00	89850	688-45123-00-00	38036	6E5-W0001-F1-00	87838	90119-08M33-00	22291
	647-44366-00-00	12865	688-45251-01-00	12886	6E5-W0078-A1-00	12054	90119-08M87-00	22509
	64D-11603-02-00	14303	688-45371-02-00	12881	6E7-11181-A1-00	33890	90171-14013-00	21233
	64D-11603-02-00	14316	688-45997-01-00	22191	6E8-45251-02-00	12746	90171-16011-00	21231
	64D-11604-02-00	14304	688-W0001-C0-00	87837	6F3-W0001-C1-00	87839	90171-18M04-00	21241
	64D-11604-02-00	14317	689-11181-A0-00	33880	6F5-44352-00-00	89660	90201-17M00-00	21211
	64D-11605-02-00	14305	689-44311-03-00	12076	6G1-44352-00-00	89870	90209-08M02-00	22506
	64D-11605-02-00	14318	689-44315-A0-00	38009	6G5-41134-A1-00	38026	90280-03024-00	89587
	65L-W0001-C0-00	87828	689-44316-A0-00	38108	6G5-44323-00-00	12511	90280-03M03-00	89599
	65N-44315-A0-00	38007	689-44323-02-00	12525	6G5-45114-A1-00	38027	90280-04M04-00	89595
	65N-44323-00-00	12521	689-44323-03-00	12527	6G5-45251-02-00	12885	90280-04M05-00	89588
	65N-W0078-A1-00	12075	689-44324-A0-00	38109	6G5-W0001-C1-00	87841	90389-22M01-00	21222
	662-44352-01-00	89618	689-44352-02-00	89890	6G5-W4599-00-00	21251	90389-25M00-00	21223
	663-44311-02-00	12446	689-44366-00-00	38305	6H1-11631-03-95	24760	90430-06M03	31172
	663-44315-A0-00	38106	689-45997-00-00	22177	6H1-11635-03-00	24761	90430-08020-00	38015
	663-44316-A0-00	38010	689-W0001-C2-00	87827	6H1-11636-03-00	24762	90430-12072-00	38025
	663-44322-00-00	12864	689-W0078-A4-00	12058	6H1-45251-03-00	12884	90430-14M09-00	38022
	663-44323-00-00	12526	689-W0078-A6-00	12059	6H1-W4599-00-00	21261	91490-30020-00	22060
	663-44324-A0-00	38011	689-W4432-01-00	12878	6H3-11181-A2-00	34940	91490-30030-00	22070
	663-44366-00-00	12875	689-W4432-02-00	12868	6H3-44311-00-00	12447	91490-30030-00	22095
	663-45123-00-00	38032	689-W4599-00-00	21255	6H3-44315-A0-00	38004	91490-30030-00	22146
	663-W0078-01-00	12279	68F-11603-02-00	14306	6H3-44323-00-00	12514	91490-30045-00	22080
	664-41134-A0-00	38042	68F-11604-00-00	14307	6H3-44324-A0-00	38005	91490-40030-00	22090
	664-44338-00-00	89589	68F-11605-02-00	14308	6H3-44352-00-00	89910	92990-14200-00	21224
	664-45371-01-00	12743	68T-11325-00-00	12689	6H3-45114-A1-00	38037	92990-16200-00	21225
	66M-12411-01-00	13012	68V-11325-02-00	12749	6H3-45123-00-00	38038	92990-18200-00	21221
	66T-44311-00-00	12451	68V-44323-00-00	12518	6H3-45127-00-00	38302	93101-20M07-00	85231
	66T-45997-00-00	22179	68V-W0078-00-00	12067	6H3-W0001-22-00	87836	93101-22067-00	85225
	66T-W0078-00-00	12272	692-W0078-02-00	12282	6H3-W0078-01-00	12057	93101-22M60-00	85227
	66T-W4599-00-00	21253	692-W0078-A0-00	12053	6H3-W0078-02-00	12283	93101-23070-00	85228
	670-45997-02-00	22176	697-45114-A0-00	38031	6H4-11181-A2-00	34930	93101-25M03-00	85229
	670-45997-02-00	22216	698-W0001-21-00	87812	6H4-41134-A0-00	38017	93101-25M57-00	85224
	676-44311-00-00	12444	69L-11631-00-85	24704	6H4-44352-02-00	89900	93101-28M16-00	85222
	677-11181-A1-00	34910	69L-11635-00-00	24734	6H4-W0078-01-00	12287	93101-30M17-00	85221
	67C-41133-00-00	38019	69L-11636-00-00	24754	6H4-W0078-A0-00	12064	93102-20484-00	85232
	67C-45123-00-00	38021	69L-11642-00-85	24703	6H4-W4599-00-00	21262	93104-22M07-00	85234
	67C-45251-00	26677	69L-11645-00-00	24723	6J8-11181-A2-00	34920	93106-09014-00	85223



GLM Products, Inc.

CROSS REFERENCE - YAMAHA to GLM

YAMAHA	GLM	YAMAHA	GLM	YAMAHA	GLM	YAMAHA	GLM
93109-24001-00	85233	93210-60MA3-00	84275	97095-08055-00	22503		
93110-16004-00	85226	93210-65752-00	84205	97095-08070-00	22501		
93210-06ME6-00	84235	93210-66M98-00	84265	ABA-FUEL-FILTR	24940		
93210-33MG4-00	84200	93210-69MG6-00	84225	ABA-SEPAR-AT-OR	24950		
93210-37M67-00	84300	93210-74775-00	84230	ABB-FUELF-IL-TR	24942		
93210-40M10-00	84285	93210-85M97-00	84270	MAR-PROPW-RN-CH	90061		
93210-41042-00	84260	93210-86M38-00	84295	YSC-101-03	89610		
93210-45161-00	84310	93210-86M39-00	84250	YSC-10161-40	31540		
93210-46044-00	84290	93210-97M55-00	84245	YSC-22190-88	33760		
93210-48214	82250	93211-04384-00	84210	YSG-10046-08	30357		
93210-48MG8-00	84220	93420-35085-00	21779	YSG-10108435G	30550		
93210-49046-00	84255	93606-12019-00	12808	YSG-10108-44	31370		
93210-54534-00	84215	97080-06030-00	22507	YSG-10126-72	30350		
93210-58677-00	84240	97080-08045-00	22502	YSG-14096-15	30100		
93210-59MG7-00	84305	97095-06040-00	22428	YSG-14096-17	39470		
93210-60M99-00	84280	97095-08050-00	22505				

CROSS REFERENCE - SIERRA to GLM

SIERRA	GLM	SIERRA	GLM	SIERRA	GLM	SIERRA	GLM	SIERRA	GLM	SIERRA	GLM
18-0023	87827	18-0185	32390	18-0350	30450	18-0520	85960	18-0679	34000	18-0930	32870
18-0101	30960	18-0189-9	34410	18-0352	30470	18-0521	85150	18-0680	33580	18-0932	30940
18-0102	33680	18-0190	22390	18-0353	30510	18-0522	85170	18-0681	30020	18-0933	34640
18-0103	30990	18-0193	21641	18-0354	30580	18-0523	85090	18-0685	31820	18-0935	34740
18-0104	33930	18-0194	21643	18-0356	31660	18-0525	85380	18-0740	30363	18-0936	31990
18-0105	31910	18-0195	21642	18-0357	32130	18-0526	85800	18-0755	38022	18-0937	34700
18-0106	33690	18-0196	21647	18-0359	30740	18-0527	85460	18-0756-1	38004	18-0939	33050
18-0107	32950	18-0197	21648	18-0360	32140	18-0529	85500	18-0757	38005	18-0940	32930
18-0108	33511	18-0198	21644	18-0365	31850	18-0531	85810	18-0768	38107	18-0941	34780
18-0110	33020	18-0199	21646	18-0369	31870	18-0539	85630	18-0791	37860	18-0942	31780
18-0111	32370	18-0200	21645	18-0371	31960	18-0540	85830	18-0850	34080	18-0943-1	33810
18-0112	35190	18-0201	21649	18-0372	30980	18-0542	86760	18-0851	35420	18-0944	32940
18-0113	32460	18-02062	23371	18-0373	31970	18-0543	86770	18-0866	30970	18-0945	32560
18-0114	32580	18-02066	23375	18-0378	37620	18-0548	33900	18-0867	30410	18-0946	32070
18-0117	34300	18-0239	38001	18-0384	32350	18-0549	22290	18-0868	30860	18-0947	33470
18-0120	35200	18-0244	38000	18-0385	32110	18-0550	22280	18-0869	37120	18-0948	32300
18-0122	35320	18-0246	38002	18-0386	32730	18-0554	85231	18-0870	30060	18-0949	33480
18-0123	30050	18-0265	85222	18-0388	32500	18-0557	12366	18-0872	31100	18-0951	34860
18-0124	34520	18-0266	85221	18-0389	31830	18-0563	85200	18-0874	31370	18-0952	32330
18-0126	35330	18-0267	85223	18-0391	35030	18-0568-9	31590	18-0876	32750	18-0953	34870
18-0128	35340	18-0292	38106	18-0398	35060	18-0577	28370	18-0879	31400	18-0954	32630
18-0129	30670	18-0294	38011	18-0401	33780	18-0581	85570	18-0880	33960	18-0955	33510
18-0130	35740	18-0296	85225	18-0405	39840	18-0583	85160	18-0881	32470	18-0956	31710
18-0131	30770	18-0297	85228	18-0406	38006	18-0584	86840	18-0882	34120	18-0957	34880
18-0133	30900	18-0311	30359	18-0407	39160	18-0585	85560	18-0884-9	33910	18-0959	34970
18-0134	34540	18-0314	37320	18-0410	36280	18-0586	86850	18-0885	31480	18-0960	37150
18-0135	32880	18-0315	37400	18-0410	39200	18-0587	85229	18-0887	30360	18-0961	34980
18-0136	35360	18-0317	37862	18-0412	36870	18-0603	39920	18-0889	31360	18-0963	35800
18-0137	31790	18-0318	32600	18-0415	37430	18-0604	39910	18-0891	31380	18-0965	35780
18-0138	35370	18-0319	37861	18-0418	33760	18-0611	39500	18-0894	31150	18-0967	34990
18-0139	31980	18-0320	32220	18-0422	32040	18-0622	37470	18-0895	30160	18-0969	34330
18-0140	35380	18-0322	30354	18-0424	34790	18-0624	37520	18-0897	30240	18-0970	32960
18-0144	35400	18-0323	32760	18-0426	33250	18-0626	37795	18-0898	30490	18-0971	34340
18-0147	31900	18-0324	32770	18-0430	33030	18-0627	37797	18-0903	31770	18-0972	32860
18-0148	33610	18-0327	31350	18-0431	32680	18-0628	37796	18-0904	30570	18-0973	33460
18-0150	35460	18-0328	30100	18-0434	31740	18-0641	37590	18-0905	30370	18-0975	34420
18-0151	31880	18-0329	30120	18-0435	30381	18-0642	37560	18-0910	30640	18-0976	30530
18-0152	37420	18-0332	31390	18-0437	37840	18-0643	37570	18-0911	34771	18-0977	33650
18-0153	39540	18-0333	30170	18-0440	33970	18-0644	37530	18-0912	30700	18-0978	35730
18-0155	35470	18-0334	30180	18-0441	35410	18-0645	37540	18-0913	33950	18-0979	34380
18-0157	35480	18-0336	32780	18-0462	31540	18-0646	37550	18-0914	30720	18-0980	30440
18-0158	31750	18-0339	32820	18-0464	30350	18-0653	22388	18-0915	37370	18-0981	34390
18-0159	35490	18-0340	39130	18-0465	39170	18-0654	21245	18-0916	32740	18-0983	35180
18-0161	35540	18-0341	37610	18-0466	39470	18-0664	30357	18-0917	34230	18-0985	33630
18-0164	31340	18-0342	31470	18-0478	31015	18-0667	32160	18-0918	30760	18-0987	35750
18-0166	86620	18-0344	30330	18-0483	38008	18-0670	32830	18-0922	30800	18-0988	31640
18-0173	86740	18-0345	37490	18-0492	36320	18-0672	30220	18-0923	34750	18-0989	34430
18-0174	86750	18-0346	30340	18-0505	86960	18-0673	33820	18-0926	30880	18-0991	33660
18-0180	80290	18-0347	32210	18-0515	85260	18-0675	34440	18-0927	34650	18-0994	32180
18-0182	30610	18-0348	39490	18-0516	85270	18-0676	33512	18-0928	30920	18-0995	34470
18-0183	33790	18-0349	35070	18-0519	85790	18-0677	33500	18-0929	34260	18-0997	34480

GLM Products, Inc.

CROSS REFERENCE - SIERRA to GLM

SIERRA	GLM	SIERRA	GLM	SIERRA	GLM	SIERRA	GLM	SIERRA	GLM	SIERRA	GLM
18-0999-9	34490	18-1284	86212	18-1907	56140	18-2056	85060	18-2184	22411	18-2316	30030
18-1095	11428	18-1285	86650	18-1908	50300	18-2058	86050	18-2185	22410	18-2320	21031
18-1096	11427	18-1291	22650	18-1908K	50310	18-2059	86160	18-2186	22413	18-2322	21421
18-1097	11426	18-1343	27850	18-1909-1	51330	18-2060	86060	18-2187	22414	18-2323	11532
18-1099	22730	18-1345	21623	18-1921	51320	18-2061	86240	18-2190	21451	18-2324	11131
18-1103	21581	18-1346	21622	18-1922	51340	18-2062	86250	18-2192	27931	18-2325	22431
18-1112	22750	18-1348	21626	18-1931-1	51630	18-2063	86270	18-2193	21040	18-2326	22433
18-1113	22760	18-1350	22860	18-1932	51640	18-2065	86520	18-2194	23110	18-2327	22435
18-1114	22770	18-1351	22870	18-1935-1	51510	18-2066	86070	18-2199	23030	18-2328	22432
18-1115	22780	18-1352	22800	18-1936	51520	18-2067	86530	18-2200	11300	18-2329	22434
18-1117	21610	18-1353	22810	18-1952-1	51220	18-2068	86610	18-2200	11330	18-2330	22436
18-1118	22960	18-1354	22890	18-1953-2	51230	18-2071	86010	18-2201	11210	18-2336	26320
18-1121	22980	18-1355	22900	18-1955-1	51212	18-2072	86080	18-2202	11060	18-2337	28317
18-1129	21512	18-1356	11430	18-1957-1	51240	18-2073	86090	18-2203	11220	18-2338	28325
18-1130	21592	18-1357	22880	18-1970-1	51110	18-2074	86440	18-2204	11230	18-2339	28318
18-1142	21560	18-1358	22910	18-1971	51120	18-2075	86470	18-2205	11240	18-2340	30010
18-1143	21580	18-1359	22840	18-1976-1	51140	18-2076	85700	18-2207	22671	18-2341-1	26350
18-1150	21600	18-1360	22850	18-1977-1	13220	18-2094	85910	18-2208	22672	18-2342	23140
18-1151	28190	18-1361	22820	18-1978	51190	18-2100	21905	18-2209	22673	18-2343	32800
18-1152	28180	18-1363	16350	18-1986-1	51430	18-2103	26100	18-2210	22670	18-2344	21161
18-1153	21840	18-1364	16360	18-1987-1	58990	18-2104	28020	18-2216	22625	18-2345	21771
18-1154	21860	18-1365	16330	18-1990	51030	18-2107	26060	18-2217	22622	18-2346	23200
18-1155	21620	18-1366	16300	18-1993	13530	18-2108	26070	18-2218	22631	18-2348	11050
18-1156	21820	18-1367	16320	18-1994	13230	18-2109	26080	18-2219	22632	18-2349	85650
18-1157	11420	18-1368	16370	18-1997-1	56230	18-2112	26110	18-2220	22633	18-2353	21015
18-1158	11410	18-1369	22940	18-1998-1	56250	18-2113	26120	18-2221	22630	18-2354	12341
18-1159	21590	18-1370	16340	18-1999	56110	18-2114	26190	18-2224	23530	18-2356	11313
18-1160	21520	18-1371	16310	18-2000	86370	18-2115	26240	18-2225	23540	18-2357	21131
18-1161	21540	18-1372	22920	18-2001	86030	18-2116	26210	18-2226	23550	18-2358	11216
18-1162	21630	18-1373	22930	18-2002	85130	18-2120	26090	18-2229	23590	18-2359	11191
18-1164	21570	18-1374	16220	18-2003	85030	18-2125	28310	18-2230	23580	18-2360	11091
18-1165	21510	18-1375	16240	18-2004	86590	18-2126	26220	18-2231	23510	18-2361	22430
18-1166	21830	18-1376	16230	18-2005	86410	18-2128	28100	18-2232	23600	18-2363	11246
18-1170	21541	18-1398	21625	18-2006	85330	18-2130	11040	18-2233	23610	18-2364	11226
18-1171	21543	18-1500	21885	18-2007	85600	18-2136	26250	18-2234	23620	18-2365	11236
18-1172	21542	18-1501	22491	18-2008	85480	18-2137	26200	18-2236	11061	18-2366	23092
18-1173	21591	18-1502	11055	18-2010	85610	18-2141	21810	18-2239	11151	18-2368	25145
18-1179	21511	18-1506	13190	18-2011	85080	18-2142	21980	18-2243	22490	18-2369	25135
18-1182	21522	18-1560	11577	18-2012	85110	18-2145	21711	18-2244	22420	18-2370	11394
18-1186	16180	18-1562	11063	18-2013	85040	18-2146	28315	18-2245-1	21715	18-2372	11620
18-1190	21628	18-1564	11675	18-2014	85070	18-2148	21930	18-2250	22418	18-2373	11610
18-1191	21653	18-1565	11064	18-2015	85210	18-2149	21430	18-2251	22417	18-2375	21731
18-1193	21584	18-1566	11685	18-2016	85010	18-2150	21030	18-2252	22416	18-2376	11405
18-1195	16420	18-1599	22387	18-2017	85290	18-2151	21100	18-2254	11155	18-2377	22300
18-1196	16520	18-1600	22520	18-2018	86380	18-2152	21130	18-2256	11215	18-2379	22400
18-1197	21593	18-1601	22560	18-2019	85100	18-2153	23080	18-2257	11225	18-2380	22070
18-1198	11429	18-1602	22540	18-2020	86040	18-2154	21010	18-2258	11235	18-2380	22095
18-1202	35440	18-1701	22406	18-2021	86350	18-2155	21020	18-2259	11245	18-2381	28400
18-1204	33570	18-1702	11406	18-2022	86360	18-2156	22040	18-2261	11140	18-2382	28402
18-1205	35430	18-1703	11408	18-2023	86390	18-2157	21710	18-2275	11770	18-2391	86481
18-1207	35450	18-1708	11416	18-2024	86400	18-2161	21140	18-2276	11450	18-2392	86496
18-1209	30190	18-1710	89141	18-2025	86120	18-2162	21080	18-2277	22409	18-2393	21380
18-1210	31420	18-1712	27782	18-2027	86150	18-2163	21090	18-2279	22408	18-2393	21400
18-1211	85490	18-1713	23360	18-2028	86170	18-2164	21060	18-2282	23261	18-2394	21410
18-1212	34530	18-1714	21135	18-2029	86180	18-2165	21070	18-2283	23260	18-2395	21424
18-1213	85780	18-1725	22419	18-2030	86420	18-2167	11110	18-2285	23220	18-2396	21480
18-1218	34800	18-1726	21659	18-2031	86190	18-2168	21150	18-2286	11030	18-2397	21481
18-1219	46100	18-1728	89181	18-2032	86430	18-2169	21420	18-2287	22683	18-2398	11051
18-1221	46110	18-1729	27940	18-2033	86200	18-2170	21750	18-2288	22421	18-2399	11052
18-1222	46130	18-1731	27720	18-2034	86510	18-2171	11500	18-2289	22681	18-2401	18000
18-1224	34850	18-1732	28351	18-2035	86450	18-2172	11520	18-2291	87410	18-2402	17000
18-1225	36670	18-1733	86652	18-2040	87030	18-2173	11510	18-2292	23280	18-2404	25115
18-1228	36660	18-1736	11160	18-2041	87060	18-2174	28030	18-2293	23270	18-2405	25125
18-1229	36630	18-1737	11161	18-2047	87020	18-2175	11530	18-2294	23210	18-2406	11092
18-1236	22393	18-1750	28481	18-2048	85680	18-2176	22010	18-2295	23300	18-2407	11312
18-1237	39850	18-1830	12875	18-2049	85020	18-2177	22020	18-2296	28380	18-2408	11013
18-1240	86720	18-1833	12865	18-2050	85440	18-2178	22050	18-2298	11381	18-2409	11020
18-1241	34831	18-1834	12877	18-2051	85120	18-2179	11130	18-2299	11380	18-2410	11100
18-1243	46150	18-1848	51480	18-2052	85520	18-2180	11120	18-2303	21433	18-2411	29000
18-1254	39652	18-1898	56240	18-2053	85530	18-2181	11163	18-2308	22663	18-2411	29020
18-1279	22362	18-1902	51410	18-2054	85581	18-2182	11152	18-2309	22662	18-2416	19600
18-1283	86211	18-1903	51420	18-2055	85580	18-2183	22412	18-2310	22661	18-2417	19700



GLM Products, Inc.

CROSS REFERENCE - SIERRA to GLM

SIERRA	GLM	SIERRA	GLM	SIERRA	GLM	SIERRA	GLM	SIERRA	GLM	SIERRA	GLM
18-2418	19800	18-2575	32190	18-2690	87609	18-2815	32640	18-2914	31010	18-3082	89940
18-2419	19900	18-2579	37800	18-2691	87611	18-2819	31410	18-2915	31020	18-3083	89660
18-2420	26500	18-2582	37760	18-2694	87614	18-2823	31060	18-2917	31560	18-3086	89760
18-2421	26510	18-2590	87550	18-2697-1	87576	18-2824	31070	18-2918	34730	18-3087	89740
18-2422	26530	18-2599	85590	18-2698	87660	18-2826	31040	18-2919	31050	18-3090	89490
18-2423	26520	18-2601-1	21950	18-2699	39631	18-2830	31440	18-2938	34620	18-3091	89500
18-2424	26470	18-2603	21450	18-2701	26310	18-2831	31430	18-2939	23020	18-3099	89970
18-2425	26460	18-2604	21453	18-2702-1	26330	18-2832	31490	18-2942	37630	18-3103	12552
18-2426	26410	18-2605	22509	18-2703	86490	18-2833	31520	18-2943	37670	18-3104	89790
18-2427	26400	18-2606	22508	18-2704	86480	18-2834	31620	18-2944	85140	18-3106	12850
18-2428	26380	18-2607	22428	18-2705	86491	18-2835	31720	18-2945	31170	18-3107	12520
18-2429	26580	18-2610	37690	18-2706	86500	18-2837	31950	18-2946	36150	18-3108	89595
18-2443	18100	18-2611	37680	18-2707	12920	18-2838	31600	18-2949	31101	18-3109	12820
18-2450	19100	18-2613	39630	18-2708	86497	18-2839	32050	18-2954	35840	18-3110	12830
18-2451	19200	18-2614	39590	18-2709	33150	18-2840	31160	18-2956	33540	18-3111	86100
18-2452	19300	18-2615	39640	18-2710	36750	18-2841	31190	18-2957	35990	18-3113	12817
18-2453	19400	18-2619-1	39622	18-2712	36760	18-2843	31840	18-2959	34030	18-3114	12810
18-2461	21910	18-2620	39600	18-2715	12930	18-2844	31510	18-2960	33400	18-3115	12860
18-2462	21370	18-2621	37640	18-2719	36901	18-2845	30353	18-2961	33830	18-3116	12410
18-2464	21425	18-2622	87561	18-2720	36900	18-2846	31450	18-2963	34140	18-3117	12510
18-2466-9	26490	18-2623	87600	18-2721	37850	18-2848	30380	18-2964	33870	18-3118	12420
18-2500	32010	18-2624	87808	18-2722	12826	18-2849	32080	18-2968	36080	18-3119	12390
18-2501	31680	18-2625	87700	18-2724	86711	18-2850	32980	18-2970	36090	18-3121	12760
18-2502	32150	18-2626	87590	18-2728	12836	18-2851	33010	18-2971	35080	18-3122	12500
18-2503	32530	18-2627	87573	18-2729	35090	18-2852	33710	18-2990	87010	18-3127	12551
18-2504	32090	18-2628	87574	18-2733	89160	18-2853	34320	18-2991	37100	18-3129	12400
18-2505	32420	18-2629	87575	18-2734	36903	18-2854	36830	18-2996	86300	18-3130	12430
18-2506-1	32520	18-2630	87800	18-2737	36902	18-2855	33420	18-3001	89580	18-3133	22323
18-2507	31890	18-2631	87801	18-2740	37650	18-2856	33560	18-3002	89650	18-3134	22361
18-2508-1	32540	18-2632	87803	18-2740	37660	18-2857	33750	18-3003	89670	18-3135	22370
18-2509	31690	18-2635	87809	18-2744	89030	18-2858	33440	18-3005	89470	18-3136	22380
18-2510	32450	18-2636	87810	18-2745	89220	18-2860	33340	18-3006	89480	18-3138	89592
18-2511	32510	18-2637-1	87802	18-2746	89130	18-2861	33330	18-3007	89830	18-3139	12540
18-2512	30930	18-2638	87804	18-2747	89180	18-2862	33090	18-3012	89600	18-3141	12590
18-2513	30890	18-2639	87805	18-2748	89120	18-2863	33060	18-3013	85880	18-3143	12523
18-2514	30430	18-2640	87807	18-2750	89100	18-2864	33640	18-3016-1	89700	18-3145	12391
18-2515	31580	18-2642	87513	18-2751	89050	18-2865	33410	18-3017	89840	18-3147	12096
18-2516	86310	18-2643	87480	18-2752	89040	18-2866	34290	18-3030	89450	18-3147	12414
18-2532	86140	18-2644	87501	18-2753-2	89080	18-2867	33180	18-3039	89810	18-3148	12278
18-2534	86110	18-2645	87490	18-2756	89140	18-2870	33240	18-3043	89680	18-3149-1	12305
18-2536	86130	18-2646-1	87511	18-2757	89010	18-2871	33230	18-3044	89612	18-3150	12088
18-2537	86210	18-2646-1	87512	18-2758	89020	18-2873	33530	18-3046	89620	18-3151	12824
18-2539	86230	18-2648	87500	18-2759	89060	18-2874	33450	18-3047	89621	18-3153	22320
18-2541	86630	18-2649	87400	18-2760	89150	18-2875	33770	18-3050	89770	18-3154	12043
18-2543	34310	18-2652	87510	18-2761	89090	18-2876	33280	18-3051	89750	18-3162	12872
18-2544	34370	18-2653	87520	18-2762	89070	18-2877	33430	18-3052	89820	18-3170	12077
18-2545	33590	18-2654	87530	18-2763	89210	18-2878	34350	18-3053	89710	18-3171	12078
18-2546	33600	18-2655	87540	18-2764	89190	18-2879	33110	18-3054	89800	18-3173	12074
18-2547	34450	18-2656	87602	18-2765	89200	18-2880	33220	18-3055	89690	18-3175	12852
18-2548	34630	18-2657	87690	18-2766	89231	18-2881	34220	18-3056	89630	18-3178	12610
18-2549	33620	18-2658	87680	18-2767	86700	18-2883-1	32990	18-3057	89640	18-3179	12813
18-2550	34460	18-2659	87603	18-2768	86710	18-2884	33850	18-3058	89950	18-3180	12460
18-2552	31670	18-2660	87601	18-2769	86540	18-2887	33210	18-3059	89570	18-3185	12442
18-2553	31460	18-2663	87620	18-2771	21962	18-2888	33860	18-3060	89610	18-3186	12524
18-2554	31630	18-2664	87640	18-2772-1	21963	18-2890	33100	18-3061	89611	18-3190	12532
18-2555	32100	18-2665	87630	18-2777	23011	18-2891	34040	18-3062	89451	18-3195	12517
18-2557	33730	18-2666	87651	18-2778	23010	18-2893	34090	18-3066	89870	18-3197	12822
18-2558	31220	18-2667	87650	18-2779	89224	18-2895	34150	18-3067	89890	18-3198	21880
18-2559	31230	18-2669	87652	18-2780	89222	18-2896	31550	18-3068	89900	18-3199	21870
18-2560	31175	18-2670	87653	18-2781	89230	18-2897	34200	18-3069	89910	18-3200	21200
18-2560	31210	18-2671	87655	18-2798	87837	18-2900	33370	18-3070	89920	18-3201	12108
18-2562	32360	18-2672	87656	18-2800	31860	18-2901	33170	18-3071	89930	18-3204	21220
18-2564	30090	18-2673	87654	18-2801	31030	18-2903	33130	18-3072	89850	18-3206	12405
18-2565	30320	18-2679	87604	18-2802	31500	18-2904	33190	18-3073	89860	18-3207	12250
18-2566	31240	18-2682	87605	18-2803	32120	18-2905	34580	18-3074	89880	18-3210	12106
18-2568	31260	18-2683	87618	18-2804	31810	18-2906	33140	18-3075	89530	18-3211	12105
18-2569	31270	18-2684	87606	18-2805	31920	18-2907	33080	18-3076	89513	18-3212-1	12091
18-2570	31280	18-2685	87619	18-2806	30680	18-2908	33120	18-3077	89550	18-3215	12107
18-2571	31300	18-2686	87607	18-2807	32320	18-2909	32170	18-3078	89560	18-3216	12082
18-2572	31650	18-2687	87621	18-2808	32440	18-2910	32200	18-3079	89510	18-3217	12290
18-2573	31730	18-2688	87622	18-2809	30270	18-2911	34720	18-3080	89520	18-3219	12200
18-2574	32280	18-2689	87608	18-2810	30260	18-2913	34610	18-3081	89540	18-3220	12202

TOC

Manifolds-Merc.

Manifolds-OMC

Manifolds-Volvo

Manifolds-Barr

MerCruiser

Merc / Mar / For

OMC / Volvo

Johnson / Evin

Yamaha

Index / X-Ref.

Warranty

GLM Products, Inc.

CROSS REFERENCE - SIERRA to GLM

SIERRA	GLM	SIERRA	GLM	SIERRA	GLM	SIERRA	GLM	SIERRA	GLM	SIERRA	GLM
18-3221	12829	18-3406	12013	18-3567	46140	18-3750	21110	18-3913	24310	18-4090	14190
18-3222	12825	18-3407	12121	18-3568	13421	18-3751	21120	18-3914	24320	18-4097	24760
18-3224	12084	18-3408	12287	18-3569	13124	18-3752	28350	18-3915	24330	18-4099	24762
18-3226	12821	18-3409	12275	18-3571	12415	18-3754	21432	18-3918	14210	18-4100	24030
18-3229	22440	18-3409	12295	18-3572	12416	18-3759	23141	18-3919	14220	18-4101	23850
18-3230	28430	18-3412	12087	18-3573	15330	18-3760	87562	18-3920	14230	18-4102	23840
18-3231	28300	18-3414	12370	18-3574	15301	18-3762	27740	18-3921	14240	18-4103	23960
18-3232	21890	18-3415	12289	18-3575	15100	18-3763	27710	18-3922	14250	18-4104	24080
18-3233	22391	18-3416	12350	18-3581	15500	18-3764	21137	18-3923	14260	18-4105	24130
18-3236	21423	18-3417	12310	18-3582	15600	18-3765	21138	18-3924	14270	18-4106	24410
18-3239	12270	18-3419	12360	18-3584	15400	18-3766	27730	18-3925	14280	18-4107	23910
18-3252	12260	18-3420	12320	18-3599	15201	18-3767	27700	18-3925	14285	18-4110	24020
18-3286	12191	18-3421	12330	18-3601	47120	18-3768	21111	18-3926	14290	18-4111	23830
18-3290	10561	18-3423	12020	18-3602	47110	18-3769	28460	18-3927	14275	18-4112	23820
18-3292	89584	18-3424	12030	18-3603	47130	18-3770	28470	18-3931	23710	18-4113	23950
18-3293	11071	18-3425	12279	18-3603	47230	18-3781	21261	18-3933	23730	18-4114	24060
18-3294	89594	18-3426	12058	18-3606	13620	18-3782	21251	18-3947	24350	18-4115	24112
18-3295	89593	18-3427	12059	18-3610	23202	18-3800	36310	18-3966	14241	18-4116	24420
18-3299	89590	18-3428-1	12283	18-3618	13025	18-3801	34240	18-3967	14251	18-4117	23920
18-3309	12085	18-3429	12064	18-3647	13101	18-3802	34250	18-3969	14300	18-4120	24010
18-3312	12264	18-3430	12284	18-3649	13100	18-3803	34570	18-3974	24290	18-4121	23810
18-3312	12286	18-3430	12285	18-3650	13370	18-3804	33880	18-3975	24250	18-4122	23800
18-3313	12297	18-3431	12277	18-3651	13380	18-3805	34950	18-3979	14910	18-4123	23940
18-3314	12140	18-3433	12066	18-3653	13430	18-3814	36260	18-3980	14920	18-4124	24040
18-3315-2	12000	18-3434	12276	18-3662	13381	18-3820	36250	18-3981	14930	18-4125	24110
18-3316	12150	18-3435	12864	18-3667	13420	18-3822	36220	18-3982	14940	18-4126	24430
18-3317	12110	18-3436	12526	18-3668	13390	18-3823	36230	18-3983	14950	18-4127	23930
18-3320	12120	18-3440	12272	18-3669	13450	18-3824	36240	18-3984	14960	18-4165	24190
18-3321	12130	18-3444	12809	18-3670	13440	18-3825	36200	18-4009	51010	18-4190	24150
18-3323	12180	18-3445	12352	18-3671	13410	18-3827	36350	18-4010	14115	18-4194	22252
18-3324	12100	18-3446	12122	18-3672	13350	18-3828	33890	18-40110	14125	18-4204	23090
18-3326	89596	18-3449	12873	18-3673	13270	18-3829	34920	18-4012	14135	18-4205	23091
18-3327	12050	18-3455	12815	18-3674	13280	18-3830	34930	18-4013	14145	18-4206	23100
18-3329	86492	18-3461	12291	18-3675	37870	18-3831	34940	18-4014	14155	18-4208	23150
18-3332	86483	18-3464	12057	18-3676	13431	18-3832	34960	18-4015	14165	18-4209	23160
18-3336	12450	18-3480	12456	18-3678	13520	18-3836	34280	18-4017	14080	18-4210	23040
18-3337	86494	18-3488	12092	18-36850	40940	18-3837	34400	18-4018	14090	18-4211	23070
18-3343	12620	18-3500	13170	18-3700	21230	18-3838	35950	18-4019	14911	18-4212	23240
18-3344	12522	18-3501	46132	18-3701	21250	18-3839	34590	18-4020	14921	18-4213	23050
18-3345	12511	18-3507	12010	18-3702	21260	18-3844	36330	18-4021	14931	18-4214	23060
18-3346	12880	18-3515	12063	18-3703	21242	18-3855	36290	18-4035	16100	18-4215	23230
18-3350	12501	18-3516	12068	18-3704	21240	18-3857	36300	18-4036	16120	18-4218	13993
18-3351	12502	18-3517	12280	18-3705	22150	18-3861	35850	18-4037	16150	18-4220	21300
18-3352	12564	18-3519	12870	18-3706	22160	18-3862	35860	18-4039	16200	18-4220	21301
18-3354	36850	18-3520	12519	18-3707	22170	18-3863	35880	18-4050	24670	18-4221	21350
18-3356	12445	18-3521	12518	18-3708-1	22185	18-3864	35870	18-4051	24680	18-4222	22230
18-3358	12812	18-3522	12261	18-3712	28330	18-3866	35930	18-4052	24690	18-4223	22220
18-3359	12630	18-3523	12067	18-3713	28360	18-3871	35890	18-4055	14600	18-4223	22221
18-3360	34560	18-3523	12296	18-3714	21360	18-3872	35900	18-4056	14610	18-4224	13990
18-3363	12440	18-3531	13540	18-3715	22200	18-3876	36160	18-4059	14640	18-4226	13992
18-3366	89990	18-3532	13550	18-3716	22340	18-3877	36110	18-4060	14650	18-4227	13991
18-3367	12470	18-3534	13140	18-3717	22350	18-3878	36120	18-4063	23740	18-4228	22250
18-3368	89780	18-3535	13610	18-3719	11190	18-3879	36100	18-4064	23760	18-4229	22270
18-3369	22360	18-3540	13320	18-3720	21160	18-3880	36130	18-4065	24050	18-4230	22240
18-3370	12053	18-3544	13130	18-3721	21170	18-3881	36140	18-4066	24100	18-4231	22190
18-3370	12282	18-3545	13110	18-3722	21180	18-3883	36170	18-4067	24090	18-4232	22260
18-3371	12293	18-3546	13180	18-3723	21190	18-3887	36180	18-4068	24140	18-4233	21290
18-3372	12054	18-3549	13120	18-3725	22330	18-3895	35830	18-4079	24160	18-4242	22318
18-3378	12210	18-3550	13020	18-3726	21241	18-3896	35940	18-4080	24700	18-4248	31171
18-3382	12070	18-3551	13030	18-3728	19350	18-3897	35960	18-4080	24701	18-4251	22030
18-3383	12060	18-3553	13010	18-3729	19310	18-3898	35820	18-4081	24702	18-4258	21892
18-3386	12190	18-3554	13060	18-3731	22310	18-3899	33700	18-4082	24720	18-4261	31330
18-3387	12246	18-3555	13040	18-3732	21231	18-3901	24340	18-4082	24721	18-4263	21893
18-3389	12240	18-3556	13200	18-3733	22188	18-3904	24210	18-4083	24730	18-4264	21894
18-3389	12244	18-3557	13080	18-3735	22090	18-3905	24230	18-4083	24732	18-4265	21896
18-3390	12104	18-3558	13070	18-3740	22100	18-3906	24220	18-4084	24740	18-4265	22032
18-3391	12103	18-3561	13150	18-3741	22110	18-3907	24570	18-4084	24741	18-4267	21800
18-3392	12102	18-3562	46120	18-3742	22120	18-3908	24590	18-4085	24750	18-4270	21720
18-3393	12101	18-3563	46180	18-3743	22130	18-3909	24580	18-4085	24752	18-4273	22031
18-3394	12245	18-3564	46170	18-3744	22140	18-3910	24240	18-4087	24200	18-4274	22191
18-3396	12069	18-3565	46160	18-3748	22080	18-3911	24260	18-4088	14170	18-4275	21490
18-3405	12395	18-3566	10562	18-3749	21419	18-3912	24280	18-4089	14180	18-4276	22321



GLM Products, Inc.

CROSS REFERENCE - SIERRA to GLM

SIERRA	GLM	SIERRA	GLM	SIERRA	GLM	SIERRA	GLM	SIERRA	GLM	SIERRA	GLM
18-4277	22324	18-4388	39650	18-5181	72100	18-5405	71100	18-6070	12881	18-7096	76096
18-4288	26340	18-4389	39660	18-5192	72040	18-5406	71120	18-6080	12711	18-7097	76085
18-4289	21770	18-4390	39670	18-5193	72070	18-5407	71050	18-6089	12714	18-7098-1	76086
18-4295	21136	18-4391	39680	18-5194	72050	18-5408	71110	18-6090	12885	18-7100	45230
18-4296	28390	18-4392	39690	18-5196	72020	18-5411	71090	18-6091	12884	18-7101	80100
18-4300	39350	18-4393	39700	18-5199	70570	18-5413	71140	18-60916	36360	18-7102	80130
18-4301	39360	18-4394	39280	18-5200	70590	18-5418	71020	18-6092	12704	18-7103	81190
18-4303-1	39080	18-4395	39290	18-5205	70640	18-5426	71870	18-6093	12702	18-7104	82280
18-4304-1	39090	18-4396	39270	18-5206	70680	18-5428	71000	18-6094	12712	18-7105	80180
18-4305	39370	18-4397	39120	18-5212	70670	18-5431	72880	18-6095	12737	18-7106	32650
18-43052	13121	18-4398	39300	18-5244	71660	18-5432	72890	18-6097	12744	18-7107	82480
18-4306	39380	18-4399	39310	18-5245	71150	18-5433	72110	18-6101	12773	18-7108	81450
18-4307	39420	18-4406	39352	18-5245	71650	18-5438	72115	18-6103	12775	18-7109	82310
18-4308	39930	18-4408	30351	18-5247	71860	18-5442	72114	18-6113	12743	18-7110	81540
18-4309	39430	18-4421	39356	18-5250	72610	18-5443	72113	18-6114	12715	18-7111	81070
18-4310	39354	18-4442	90050	18-5251	72620	18-5704	73020	18-6125Z	12699	18-7112	82170
18-4312	37010	18-4456	89240	18-5252	72630	18-5705	73010	18-6245	21740	18-7114	82140
18-4313	37000	18-4457	89250	18-5253	72640	18-5707	72310	18-6249A	12690	18-7115	82240
18-4315	39340	18-4458	89260	18-5254	72670	18-5708	72320	18-6350	11222	18-7116	81100
18-4316	39560	18-4461	13984	18-5256	72680	18-5709	72350	18-6350K	11227	18-7117	82150
18-4317	39440	18-4500	14010	18-5257	72690	18-5711	72260	18-6351	11214	18-7118	82030
18-4319	39250	18-4510	14110	18-5260	72650	18-5724	72210	18-6351K	11217	18-7120	80090
18-4319	39450	18-4515	14030	18-5263	72700	18-5740	72240	18-6352	11244	18-7121	82350
18-4321	39390	18-4525	14130	18-5264	72660	18-5745	72118	18-6352K	11247	18-7123	81400
18-4322	39400	18-4530	14050	18-5267	71770	18-5754	75330	18-6353	11233	18-7126	81310
18-4323	39410	18-4540	14150	18-5268	71720	18-5801	72360	18-6353K	11237	18-7127	82370
18-4324	39355	18-4545	14120	18-5269	71710	18-5802	72410	18-6399	28320	18-7128	81340
18-4325	39337	18-4555	14320	18-5271	71760	18-5807	72420	18-6400	28340	18-7129	80220
18-4326	39336	18-4560	14140	18-5272	71800	18-5808	72430	18-6401	28060	18-7130	81380
18-4333	39342	18-4565	14330	18-5273	71780	18-5812	72403	18-6401	28070	18-7133	82400
18-4334	39335	18-4565	14335	18-5274	71790	18-5814	72440	18-6401	28090	18-7134	81120
18-4336	39333	18-4575	14160	18-5275	71730	18-5815	72370	18-6402	28080	18-7135	82100
18-4337	39339	18-4600	14315	18-5276	71750	18-5816	72390	18-6403	28322	18-7137	45200
18-4338	39338	18-4620	14370	18-5277	71740	18-5817	72400	18-6403	28345	18-7138	83250
18-4339	39332	18-4621	14380	18-5278	71820	18-5819	72402	18-6404	28110	18-7139	83200
18-4340	39331	18-4623	14660	18-5280	71830	18-5820	72380	18-6405	28316	18-7140	82320
18-4347-1	39870	18-4624	14670	18-5281	71810	18-5820	72470	18-6405	28319	18-7141	80080
18-4348	39890	18-4625	14680	18-5284	72600	18-5834	72500	18-6406	28040	18-7143	81250
18-4349	39880	18-4626	14470	18-5303	70010	18-5836	72480	18-7000	76101	18-7144	82440
18-4350	39140	18-4627	14480	18-5305	70082	18-5837	72460	18-7001	76102	18-7145	81080
18-4351	39150	18-4628	14490	18-5306	70100	18-5838	72490	18-7004	40410	18-7146	81220
18-4352	39180	18-4635	14410	18-5310	70030	18-5969	74009	18-7005	40420	18-7153	81180
18-4353	39190	18-4636	14420	18-5311	70020	18-6000	12780	18-7006-1	40401	18-7155	82230
18-4354	39210	18-4637	14430	18-5314	70060	18-6001	12789	18-7006-1	40435	18-7156	81230
18-4355	39330	18-4638	14440	18-5318	70040	18-6002	12720	18-7007	40460	18-7158	81160
18-4356	39550	18-4698	38015	18-5338	70580	18-6004	12782	18-7008	76103	18-7159	83445
18-4357	39240	18-4807	22720	18-5342	70610	18-6005	12784	18-7013	40470	18-7160	83345
18-4358	39100	18-4818	11392	18-5345	70530	18-6009	12787	18-7017	76088	18-7161	80420
18-4359	39520	18-4826	22371	18-5346	70540	18-6010	12788	18-7021	40480	18-7162	82260
18-4366	30850	18-4833	27760	18-5347	70510	18-6011	12670	18-7024	40530	18-7163	81430
18-4367	39320	18-4835	22525	18-5349	70500	18-6012	12740	18-7033	40500	18-7164	81260
18-4368	36190	18-5001	72840	18-5352	71560	18-6013	12750	18-7038	40700	18-7165	80140
18-4368	39830	18-5002	72820	18-5353	71600	18-6014	12680	18-7040	76104	18-7167	82390
18-4369	39770	18-5003	72830	18-5354	71400	18-6016	12710	18-7041	40930	18-7168	80120
18-4370	39780	18-5006	72810	18-5356	71470	18-6017	12730	18-7042	40560	18-7169	82380
18-4371	39790	18-5007	72990	18-5357	71490	18-6019	12772	18-7043	40510	18-7170	82200
18-4372	39800	18-5008	72980	18-5358	71480	18-6023	12781	18-7046	40570	18-7171	81360
18-4373	39810	18-5011	72800	18-5361	71420	18-6024	12776	18-7057	40920	18-7172	82360
18-4374	39820	18-5012	72970	18-5362	71410	18-6025	12736	18-7057	40980	18-7173	82250
18-4375	39710	18-5107-1	73190	18-5369	71570	18-6026	12738	18-7061	40910	18-7174	81140
18-4376	39720	18-5108	72130	18-5375	71580	18-6027	12733	18-7062	40950	18-7176	81390
18-4377	39730	18-5140	70170	18-5376	71590	18-6028	12774	18-7071	76111	18-7178	82130
18-4378	39740	18-5141	70200	18-5384	71520	18-6028	12777	18-7075	76107	18-7180	81110
18-4379	39750	18-5153	70160	18-5385	71540	18-6029	12683	18-7076	76083	18-7181	45060
18-4380	39760	18-5156	70070	18-5386	71530	18-6029	12741	18-7080	76082	18-7184	45090
18-4381	39040	18-5157	70080	18-5389	71550	18-6032	12887	18-7081	76081	18-7186	45100
18-4382	39110	18-5169	70660	18-5393	71450	18-6034	12745	18-7085	76108	18-7189	45140
18-4383	39050	18-5170	72060	18-5394	71460	18-6035	12883	18-7086	76120	18-7192	45150
18-4384	39060	18-5172	72030	18-5395	71510	18-6036	12886	18-7093	40710	18-7193	45120
18-4385	39030	18-5176	72080	18-5396	71500	18-6066A	12713	18-7093	40730	18-7196	82270
18-4386	39010	18-5178	72120	18-5403	71060	18-6067A	12703	18-7094	40720	18-7198	81270
18-4387	39020	18-5179	72010	18-5404-1	71040	18-6068	12675	18-7095	76150	18-7198	81275

GLM Products, Inc.

TOC

CROSS REFERENCE - SIERRA to GLM

SIERRA	GLM	SIERRA	GLM	SIERRA	GLM	SIERRA	GLM	SIERRA	GLM	SIERRA	GLM
18-7200	77200	18-7314	01090	18-7777	25010	18-7860	24880	18-8361	87760	18-99009	38032
18-72000	77260	18-7315	01056	18-7777-1	24956	18-7861	24900	18-8367	86810	18-99010	38042
18-7201	77220	18-7316	01100	18-7784	24850	18-7861	24901	18-8371	87580	18-99016	38019
18-7202	77230	18-7318	21791	18-7796	4095	18-7862	24910	18-8372	34130	18-99017	38021
18-7208	77250	18-7321	21790	18-7800	40850	18-7869	24841	18-8410	22381	18-99023	38035
18-7210	77290	18-73990	21262	18-7804	40310	18-7945	24942	18-8532	33765	18-99024	38034
18-7211-1	40490	18-7400	81550	18-7805	40860	18-7956	83330	18-8900	12044	18-99025	38033
18-7212	40610	18-7401	81440	18-7807	40320	18-7963	86660	18-8900	89616	18-99026	38036
18-7213	40620	18-7403	81280	18-7808	40330	18-7981	24964	18-8901	89615	18-99030	38031
18-7214	40630	18-7404	81090	18-7809	40340	18-7982-1	24952	18-8903	89614	18-99037	38030
18-7215	40640	18-7406	82430	18-7810	40390	18-7984-1	24957	18-9099	90070	18-99038	38028
18-7219	40600	18-7408	81210	18-7811	40350	18-7985-1	24959	18-9218	28050	18-99039	38026
18-7220	40580	18-7411	81240	18-7812	40360	18-7986-1	24954	18-9219	22407	18-99040	38027
18-7221	40590	18-7413	80110	18-7813	40370	18-8111	21887	18-9803	90100	18-99046	38037
18-7223	40550	18-7418	82460	18-7814	40380	18-8205	21951	18-9806E	90110	18-99047	38038
18-7233	40900	18-7426	21330	18-7815	40660	18-8206	21960	18-9817	90140	18-99138	38041
18-7248	40520	18-7428	81470	18-7817	40290	18-8207	25110	18-9819	90280	18-99149	38010
18-7256	77010	18-7436	84290	18-7820	40820	18-8208	25120	18-9829	90270		
18-7260	77105	18-7440-1	81170	18-7821	40830	18-8209	25130	18-9837	90260		
18-7263	77101	18-7445	80190	18-7822	40840	18-8210	11800	18-9842	90240		
18-7267	77040	18-7449	81570	18-7823	40810	18-8211	11810	18-9847	90360		
18-7268	77102	18-7457	81330	18-7826	24830	18-8212	21961	18-9853	90160		
18-7270	77103	18-7461	81290	18-7829	40140	18-8212-1	21965	18-9854	90220		
18-7274	77070	18-7475	86640	18-7829	40145	18-8300	86011	18-9855	90170		
18-7275	77090	18-7475	86659	18-7830	40155	18-8301	86012	18-9856	90180		
18-7278	77114	18-7477	41120	18-7831	40165	18-8304	85126	18-9857	90210		
18-7282	77115	18-7481	86570	18-7844	24941	18-8307	86790	18-9858	90190		
18-7283	77113	18-7490	82080	18-7845	24940	18-8325	86013	18-9861	90200		
18-7284	77011	18-7648	72122	18-7846	24930	18-8348	21321	18-9868	90230		
18-7288-1	77116	18-7717	24810	18-7848-1	24951	18-8352	86654	18-9870	90470		
18-7289	77118	18-7746	76068	18-7852-1	24950	18-8353	85840	18-99000	38012		
18-7295	40970	18-7775	25020	18-7853-1	25000	18-8357	87790	18-99001	38013		
18-7296	23203	18-7775-1	24953	18-7854	24970	18-8358	87770	18-99003	38020		
18-7307	01073	18-7776	25030	18-7855	24980	18-8359	87780	18-99004	38016		
18-7314	01070	18-7776-1	24958	18-7859	24840	18-8360	87670	18-99005	38018		

NOTES

OMC / Voivo

Johnson / Evin

Yamaha

Index / X-Ref.

Warranty



GLM Products, Inc.

TOC

NOTES

Manifolds-Merc.

Manifolds-OMC

Manifolds-Volvo

Manifolds-Barr

MerCruiser

Merc / Mar / For

OMC / Volvo

Johnson / Evin

Yamaha

Index / X-Ref.

Warranty



GLM Products, Inc.

LIMITED WARRANTY of GLM PRODUCTS, INC.

1. This product of GLM Products, Inc. ("GLM") is warranted to be free from defects in material and workmanship for a period of two years from the date of purchase for aluminum elbow/manifold and all other GLM parts and accessories, three years from the date of purchase for cast iron elbow/manifold. Products used for commercial, rental, or income producing activity are warranted for a period of ninety (90) days. Only a person who has proof of purchase of the GLM product will receive warranty service.
2. GLM does not warrant or make any representations in respect to installation errors made by a servicing dealer, servicing mechanic, or the individual. This warranty applies to defects in material and workmanship only, it does not apply to the following: alteration, removal of parts, adjustments, tune-ups, normal wear, rusting, damages due to accident, improper installation or service, misuse, neglect, lack of maintenance, use of any accessory or part not manufactured or sold by GLM, operation with fuels, oils, or lubricants which are not suitable for use with the product, water entering engine cylinder through exhaust system or carburetor, participation in or preparing for racing or other competitive activity or operating with a racing type lower unit. GLM's liability under this warranty shall be terminated on any part damaged by flood, fire, storm, or other natural acts or where the model number and other identification has been altered, defaced or removed.
3. GLM will not be liable for any labor charges and incidental, consequential (such as loss of business), special or indirect damages resulting from the product or caused by the defect or reasonable delay in correcting the defect are not covered under the warranty.
4. GLM reserves the right to inspect and determine whether or not any part has failed due to a defect in material or workmanship. **Do not disassemble any parts including drive units that have been assembled by GLM. GLM's obligation shall be limited to repairing, replacing or crediting the product determined to be defective, at GLM's sole discretion:** GLM reserves the right to credit refund your purchase price for the product rather than repair or replace the product, or any part thereof. Any part is covered only for the original warranty period. Once the warranty on the product has expired, the warranty on any replaced or repaired part also expires. GLM shall be allowed to keep parts it deems defective under this warranty.
5. **ALL WARRANTIES BY AND FROM GLM, EXPRESS OR IMPLIED, INCLUDING WITHOUT LIMITATION IMPLIED WARRANTIES OF MERCHANTABILITY AND FITNESS FOR A PARTICULAR PURPOSE, ARE LIMITED IN DURATION TO THE DURATION OF THIS WARRANTY FOR THE PRODUCT INVOLVED. GLM DOES NOT WARRANT, GUARANTEE OR MAKE ANY REPRESENTATIONS REGARDING THE USE OR THE RESULTS OF THE USE OF THE PRODUCT IN TERMS OF ITS CORRECTNESS, RELIABILITY OR OTHERWISE. THE ENTIRE RISK AS TO THE RESULT AND PERFORMANCE OF THE PRODUCT IS ASSUMED BY YOU. IN NO EVENT WILL GLM, OR ITS RESPECTIVE DIRECTORS, OFFICERS, EMPLOYEES OR AGENTS (COLLECTIVELY, "GLM") BE LIABLE TO YOU FOR ANY CONSEQUENTIAL, INCIDENTAL, SPECIAL OR INDIRECT DAMAGES (INCLUDING DAMAGES FOR LOSS OF BUSINESS PROFITS, BUSINESS INTERRUPTION, LOSS OF BUSINESS INFORMATION AND THE LIKE) ARISING OUT OF THE USE OR INABILITY TO USE THE PRODUCT.** GLM's liability to you for actual damages from any cause whatsoever, and regardless of the form of the action (whether in contract, tort (including negligence), product liability or otherwise), will be limited to the purchase price paid for the product. No GLM dealer, agent or employee is authorized to make any modification or extension to this warranty. Because some states do not allow the exclusion of implied warranties and/or the exclusion or limitation of liability for consequential or incidental damages, the above limitations may not apply to you. This warranty gives you specific legal rights, and you may have other rights which vary from state to state.
6. You are required to notify GLM of any defect within the applicable warranty period and immediately obtain from GLM or its distributor a warranty application and a GLM RGA number. Upon GLM's receipt of the completed warranty application and part claimed under this warranty (with the GLM RGA number marked on the shipping and packaging of the part), GLM will inspect the part for warranty coverage. Only when the defect is covered by the warranty will the part be repaired or replaced, at GLM's sole option. If warranty service is required, you must deliver your product, at your expense, with proof-of-purchase (including original purchase invoice and invoice for installation of warranted part) to GLM for repair. Service is provided by GLM at its corporate headquarters at 705 Los Angeles Avenue, Monrovia, California 91016, Tel: (626) 357-0077, Fax: (626) 357-0600. When repair is completed, GLM will ship back to its indicated address. Shipping methods will be determined by GLM.
7. This warranty comprises the sole and entire warranty pertaining to the product furnished to you by GLM, and GLM makes no other warranty, guarantee or representation of any kind whatsoever pertaining to the product. Any other representations, or promises by any person are unauthorized and are not binding upon GLM unless in writing.

WARRANTY SERVICE PROCEDURE



1. GLM will directly and promptly approve and honor legitimate warranty claims on product only under the condition that the claim is made through a servicing Dealer. ****Do not disassemble any parts including drive units that have been assembled by GLM.****
2. GLM will credit or reimburse the Dealer for qualified warranty claims submitted that comply to GLM identified warranty policies.

ANY CLAIM UNDER GLM'S WARRANTY (Please see Limited Warranty of GLM Products) SHALL BE IN WRITING TO GLM PRODUCTS, INC. WITHIN THE WARRANTY PERIOD. TO ASSURE FAST AND EFFICIENT SERVICE PLEASE SHIP ALL WARRANTY PART(S) AND DOCUMENTATION DIRECTLY TO GLM. ALL WARRANTY CLAIM PRODUCTS MUST BE SHIPPED FREIGHT PREPAID TO GLM FOR WARRANTY INSPECTION. (FREIGHT CHARGES WILL BE REIMBURSED ONLY UPON APPROVAL ON WARRANTY)

1. All returns must have a GLM "RGA #" assigned (contact GLM directly for the "Return Goods Authorization #"). It is imperative to indicate this number on outside of all boxes and included on all submitted documentation. No returns will be accepted without an RGA #.
2. All returns must accompany a copy of the completed warranty application. (Application is available at www.glmmarine.com, in the back of each GLM's catalog or through your GLM distributor.)
3. **ALL** parts involved in the claim.
4. Copy of invoices as follows:
 - Original purchase invoice from distributor.
 - Original invoice for installation of warranted parts.
 - Proposed invoice/ work-order to GLM, if any, for warranty claim.
 NOTE: GLM complies with OEM standard flat hours and rates.
Copies of all invoices for items in above proposed invoice.

Send parcel(s) to:

GLM Products, Inc. - Warranty
705 Los Angeles Avenue
Monrovia, CA 91016
RGA#



GLM Products, Inc.

WARRANTY CLAIM APPLICATION



Note: Please fill out all information and send all requested material. Failure to complete this form and supply all requested material will delay your claim. Do not disassemble units that were assembled by GLM. Other applications that used only GLM parts should have just the parts returned to GLM not the complete unit.

RGA # _____ Contact GLM at 626/357-0077 for a Returned Goods Authorization #. All returned goods **must** have an RGA # marked on package (s) or they will be refused. No exceptions. **Ship to: GLM Products, Inc.**
Date Called: _____
Caller Name: _____ **705 Los Angeles Avenue**
Company Name: _____ **Monrovia, CA 91016**

Distributor Information:

Company: _____ Contact: _____ City: _____ State: _____

Dealer Information:

Company: _____ Address: _____ City: _____
 State: _____ Zip: _____ Tel: _____ Fax: _____ Contact: _____

Dealer Customer Information:

Name: _____ Address: _____ City: _____
 State: _____ Zip: _____ Tel: _____ Fax: _____

Application Details:

Manufacturer: _____ Model: _____ Year: _____
 Length: _____ Beam: _____ Engine / Drive: _____ Horse Power: _____

List any modifications to boat or drive system that were not installed by the original manufacturer:

Details of Return: Please list all item (s) being returned and describe detailed reason for warranty claim.

If you need more space for this description please continue on a blank sheet of paper.

Documentation and other items required to process warranty: Please make sure that all items listed are sent with this application. Failure to do so will delay processing this claim.

1. All parts claimed and listed on this application. This is **all parts** being claimed regardless of manufacturer.
2. Copy of invoices as follows:

A. Original purchase invoice from Distributor.	C. Invoice for installation of warranted parts.
B. Proposed invoice to GLM from the Dealer for repairs.	D. Invoices for any other items being claimed

Note: GLM reserves the right to credit the Dealer, via the Distributor, for all GLM products involved in this claim.



Superior Marine Manifolds

MerCruiser V6



MerCruiser V8



OMC GM V6



OMC Ford V8



100% Complete
Conversion Kits

Gaskets & Hardware
Included

MerCruiser GM V6
MerCruiser GM V8 S.B.
MerCruiser GM V8 B.B.
OMC / Volvo Ford V8 (Carb.)
OMC / Volvo Ford V8 (EFI)
Volvo GM V6 th 1993
OMC / Volvo GM V6
OMC / Volvo GM V8 S.B.
Volvo GM V8 to 1991
OMC / Volvo GM V8 S.B.



100% Complete
Manifold Sets

Gaskets & Hardware
Included

4-Cylinder thru V8 B.B.
Manifolds



MerCruiser
OMC
Volvo Penta
Marine Power
Indmar
Barr

Gaskets Included

Dry Joint Alternative
Manifold-Elbow Set

MerCruiser V6



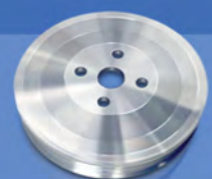
MerCruiser V8



Gaskets & Hardware
Included

and much more!

Over 4,000 Aftermarket Marine Parts



www.glmmarine.com

GLM[®]

www.glmmarine.com
For Current Catalogs & Updates

On-line Catalog Series - Mobile - Tablet - Desktop



GLM Products, Inc.
705 Los Angeles Ave., Monrovia, CA 91016
Tel (626) 357-0077, Fax (626) 357-0600
info@glmmarine.com