



*Suzuki Catalog*



**GLM Products, Inc.** is committed to producing the highest quality and cost efficient aftermarket marine products in the industry. At GLM, we use only the highest quality materials and most advanced technology for our product line, enabling us to produce the most reliable and compatible products for the marine aftermarket parts industry.

GLM offers an exciting line of exceptional products, which are brand new from factory and compatible and interchangeable with OEM application. Our in-house design and engineering teams enable us to make improvements on original OEM materials and designs. At GLM, we strive to include all new advancements, improvements, and superior materials with the ever-changing world of technology.

Consider the many additions to GLM's line over the past several years. No other aftermarket manufacturer can compare with our variety of products being offered that GLM has developed and re-designed. When you invest in a GLM product, you can be assured that you are receiving the highest quality aftermarket marine part available. GLM's innovation and exclusive aftermarket products keep us the only source for all your boat repair or maintenance needs.

At GLM Products, Inc. we deliver the highest quality and most complete line of over 4,000 aftermarket marine parts sold worldwide. At GLM, we are...

*...the Leader of the Aftermarket Marine Parts Industry!*



Contents of this catalog are copyrighted. Reproduction of any or all of its contents is prohibited. We have prepared this catalog to provide you with information that is helpful and accurate as possible. Although care has been taken to assure the accuracy of the data presented in this catalog, GLM Products, Inc. does not assume any liability for errors or omissions. All illustrations, photos, etc. used in this catalog are intended as representative views for reference only. MerCruiser and Mercury/Mariner/Force are registered trademarks of the Brunswick Corporation; OMC Cobra and OMC Stringer are registered trademarks of Outboard Marine Corporation; Volvo Penta is a registered trademark of AB Volvo; Johnson/Evinrude are registered trademarks of Bombardier Motor Corporation of America; Yamaha is a registered trademark of Yamaha Motor Company, U.S.A.; GLM is a registered trademark of GLM Products, Inc. Copyright © 2022.

# TABLE OF CONTENTS

| SUZUKI  |           |
|---|-----------|
| <b>Suzuki</b><br><b>Gearcase Exploded Views</b>   | Section 1 |
| Gearcase Components - DF4, 4A, 6, 6A, 4-Stroke .....  | 6-7       |
| Gearcase Components - DF8A, 9.9, 9.9A, 9.9B, 15, 15A, 20A, 4-S .....  | 8-9       |
| Gearcase Components - DF25, 30, 40, 50, 4-Stroke .....  | 10-11     |
| Gearcase Components - DF25A & DF30A, 4-Stroke .....   | 12-13     |
| Gearcase Components - DF25V, 40A, 50A, 60A, 4-Stroke .....  | 14-15     |
| Gearcase Components - DF50AVT & DF60AVT, 4-Stroke .....   | 16-17     |
| Gearcase Components - DF60 & DF70 (1998-2007), 4-Stroke .   | 18-19     |
| Gearcase Components - DF60 & DF70 (2008-2009), 4-Stroke .   | 20-21     |
| Gearcase Components - DF70A (09-20), 80A (09-11), 90A<br>(09-20), 4-Stroke .....                                | 22-23     |
| Gearcase Components - DF90, 100, 115 (01-08), DF140 (01-12)<br>& DF115, 115A, 140A (2009 & Up), 4-Stroke ...    | 24-25     |
| Gearcase Components - DF150, 150G, 150AP, 175, 175G, 175AP,<br>200A, 200AP (2006 & Up), 4-Stroke .....          | 26-27     |
| Gearcase Components - DF200, 225, 250, V6, 4-Stroke .....   | 28-29     |
| Gearcase Components - DF250A, 250AP, 250SS, 300, 300A,<br>300AP, 4-Stroke .....                                 | 30-31     |
| Gearcase Components - DF300, 350A, 350B, 4-Stroke .....   | 32-33     |
| Gearcase Components - DT4 & DT5, 2-Stroke .....   | 34-35     |
| Gearcase Components - DT6 & DT8, 2-Stroke .....   | 36-37     |
| Gearcase Components - DT8C & DT9.9C, 2-Stroke .....   | 38-39     |
| Gearcase Components - DT9.9, 15, 15C, 2-Stroke .....  | 40-41     |
| Gearcase Components - DT25C & 30C, 2-Stroke .....   | 42-43     |
| Gearcase Components - DT20, 25, 30, 35, 40, 40C, 2-Stroke ...   | 44-45     |
| Gearcase Components - DT55 & DT65, 2-Stroke .....   | 46-47     |
| Gearcase Components - DT75 & DT85, 2-Stroke .....   | 48-49     |
| Gearcase Components - DT90 & DT100, 2-Stroke .....  | 50-51     |
| Gearcase Components - DT115 & DT140, 2-Stroke .....   | 52-54     |
| Gearcase Components - DT150, 175, 200, 225, 2-Stroke .....  | 54-55     |
| <b>Suzuki</b><br><b>Gearcase Seal Kits</b>  | Section 2 |
| Gearcase Seal Kits - DF25 HP thru DF300AP, 4-Stroke .....   | 58-59     |
| Gearcase Seal Kit Components - Oil Seals .....  | 60        |
| Gearcase Seal Kit Components - Seals & Grommets .....   | 60        |
| <b>Suzuki</b><br><b>Gearcase Seal Kits continued...</b>   | Section 2 |
| Gearcase Seal Kit Components - O-Rings .....  | 61-62     |
| Gearcase Seal Kit Components - Gaskets .....  | 62        |
| <b>Suzuki</b><br><b>Cooling System</b>  | Section 3 |
| Water Pump Impeller & Key Identification .....  | 64-65     |
| Water Pump Kits - DF4, 4A, 6, 6A, 8A, 9.9, 9.9A/B, 15,<br>15A, 20A, (4-Stroke) .....                            | 66        |
| Water Pump Kits - DF25, 25A/V, 30, 30A, 40, 40A, 50,<br>50A, 60A, (4-Stroke) .....                              | 67        |
| Water Pump Kits - DF50AVT, 60, 70, 70A, 80A, 90A, (4-S) .....   | 68        |
| Water Pump Kits - DF90, 115, 115A, 140, 140A, 150, 150G, 150AP,<br>175, 175G, 175AP, 200A, 200AP, (4-Stroke) .. | 69        |
| Water Pump Kits - DF200, 225, 250, 250SS, 250AP, 300,<br>300AP, 350A, 350B, (4-Stroke) .....                    | 70        |
| Water Pump Kits Applications - (4-Stroke) .....   | 71-72     |
| Water Pump Kits - DT4, 5, 6, 8, 8C, 9.9, 9.9C, 15, 15C, 20,<br>25, 30, 35, 40C, (2-Stroke) .....                | 73        |
| Water Pump Kits - DT25C, 30C, 55, 65, 75, 85, 90, 100, 115,<br>140, 150, 175, 200, 225, (2-Stroke) .....        | 74        |
| Water Pump Kits Applications - (2-Stroke) .....   | 75        |
| Thermostats & Thermostats Applications - (4-Stroke) .....   | 76        |
| <b>Suzuki</b><br><b>Fuel System</b>   | Section 4 |
| Water Separating Fuel Filter Kits with Collection Bowls .....   | 78        |
| Water Separating Fuel Filter Mounting Brackets .....  | 78        |
| WARRANTY  |           |
| Notes .....   | 79        |
| Limited Warranty of GLM Products, Inc. ....   | 80        |
| Warranty Service Procedure .....  | 81        |
| GLM Products, Inc. Warranty Claim Application .....   | 82        |



# Section 1

## Suzuki

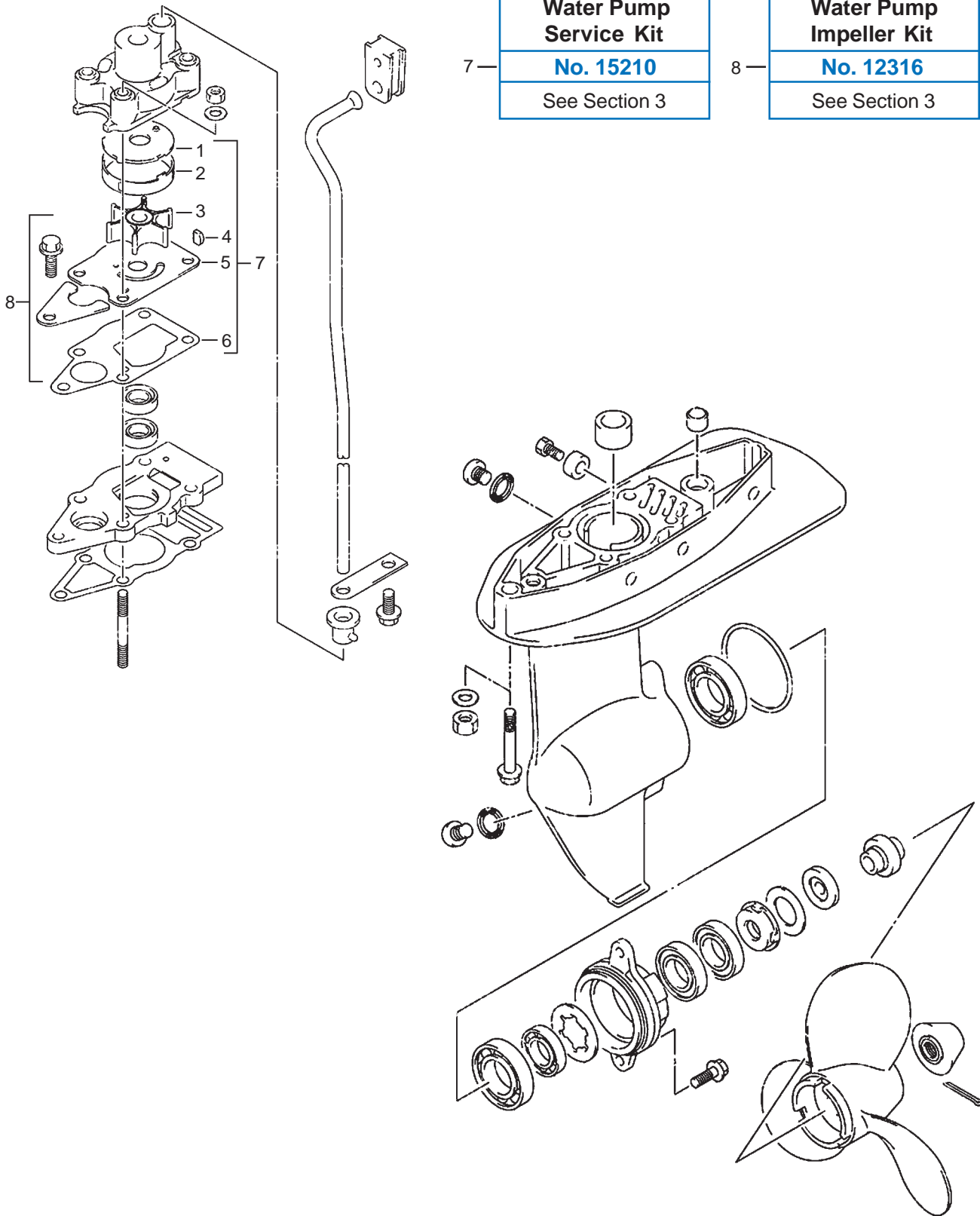
### Gearcase Exploded Views

|  |       |
|--|-------|
| Gearcase Components - DF4, 4A, 6, 6A, 4-Stroke .....                         | 6-7   |
| Gearcase Components - DF8A, 9.9, 9.9A, 9.9B, 15, 15A, 20A, 4-S .....         | 8-9   |
| Gearcase Components - DF25, 30, 40, 50, 4-Stroke .....                       | 10-11 |
| Gearcase Components - DF25A & DF30A, 4-Stroke .....                          | 12-13 |
| Gearcase Components - DF25V, 40A, 50A, 60A, 4-Stroke .....                   | 14-15 |
| Gearcase Components - DF50AVT & DF60AVT, 4-Stroke .....                      | 16-17 |
| Gearcase Components - DF60 & DF70 (1998-2007), 4-Stroke ..                   | 18-19 |
| Gearcase Components - DF60 & DF70 (2008-2009), 4-Stroke ..                   | 20-21 |
| Gearcase Components - DF70A (09-20), 80A (09-11), 90A (09-20), 4-Stroke .... | 22-23 |
| Gearcase Components - DF90, 100, 115 (01-08), DF140 (01-12) & .....          |       |
| DF115, 115A, 140A (2009 & Up), 4-Stroke .....                                | 24-25 |
| Gearcase Components - DF150, 150G, 150AP, 175, 175G, 175AP, .....            |       |
| 200A, 200AP (2006 & Up), 4-Stroke ...  | 26-27 |
| Gearcase Components - DF200, 225, 250, V6, 4-Stroke .....                    | 28-29 |
| Gearcase Components - DF250A, 250AP, 250SS, 300, 300A, 300AP, 4-S ...        | 30-31 |
| Gearcase Components - DF300, 350A, 350B, 4-Stroke .....                      | 32-33 |
| Gearcase Components - DT4 & DT5, 2-Stroke .....                              | 34-35 |
| Gearcase Components - DT6 & DT8, 2-Stroke .....                              | 36-37 |
| Gearcase Components - DT8C & DT9.9C, 2-Stroke .....                          | 38-39 |
| Gearcase Components - DT9.9, 15, 15C, 2-Stroke .....                         | 40-41 |
| Gearcase Components - DT20, 25, 30, 35, 40, 40C, 2-Stroke ....               | 42-43 |
| Gearcase Components - DT25C & 30C, 2-Stroke .....                            | 44-45 |
| Gearcase Components - DT55 & DT65, 2-Stroke .....                            | 46-47 |
| Gearcase Components - DT75 & DT85, 2-Stroke .....                            | 48-49 |
| Gearcase Components - DT90 & DT100, 2-Stroke .....                           | 50-51 |
| Gearcase Components - DT115 & DT140, 2-Stroke .....                          | 52-53 |
| Gearcase Components - DT150, 175, 200, 225, 2-Stroke .....                   | 54-55 |

# Suzuki

4-STROKE

GEARCASE COMPONENTS - DF4, 4A, 6, 6A

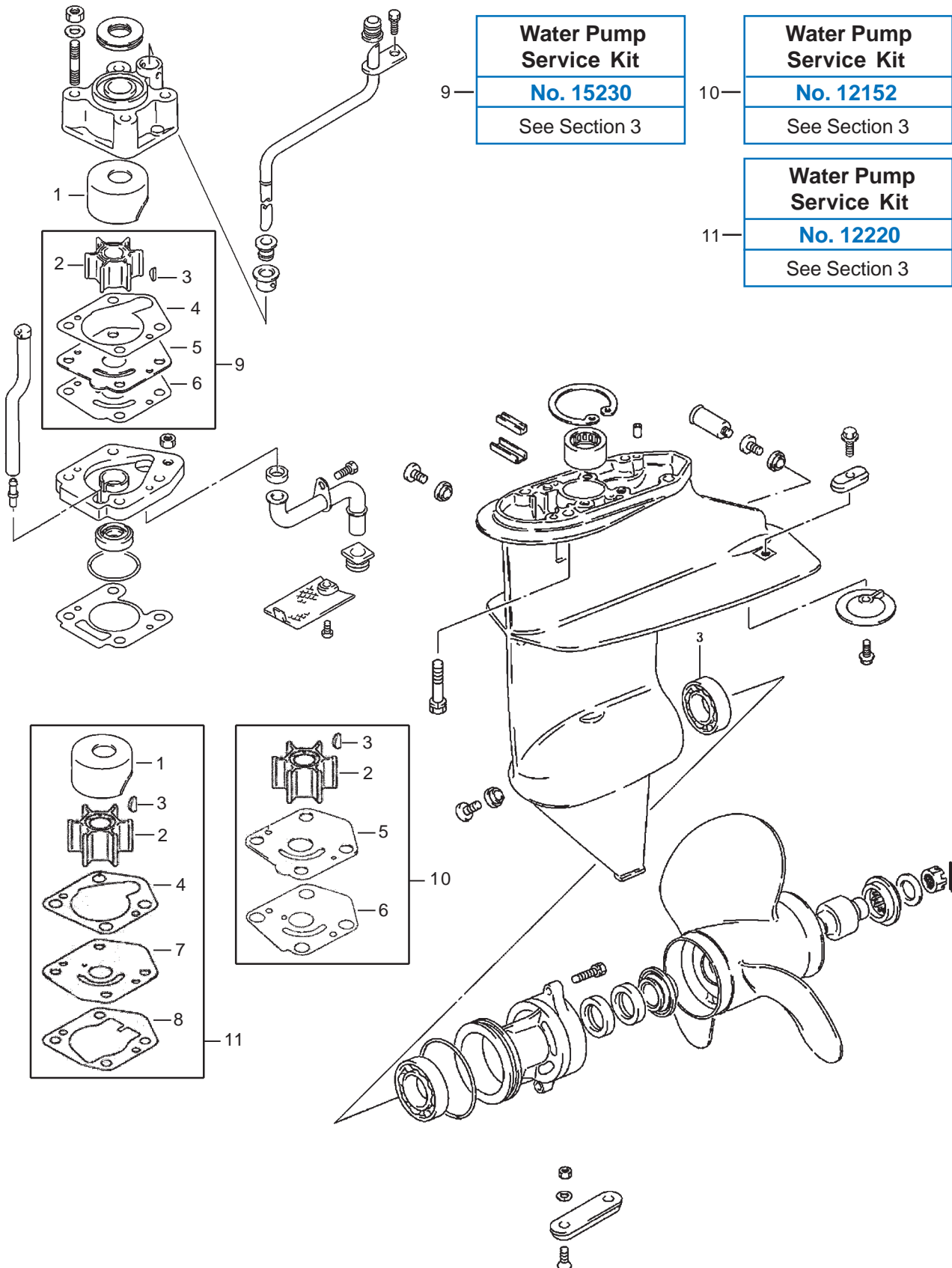




# Suzuki

4-STROKE

GEARCASE COMPONENTS - DF8A, 9.9, 9.9A, 9.9B, 15, 15A, 20A



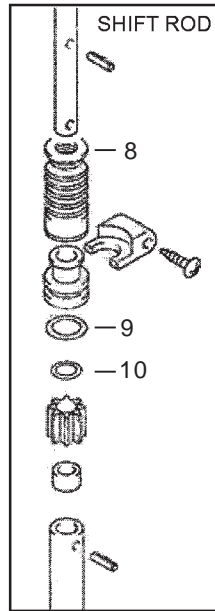
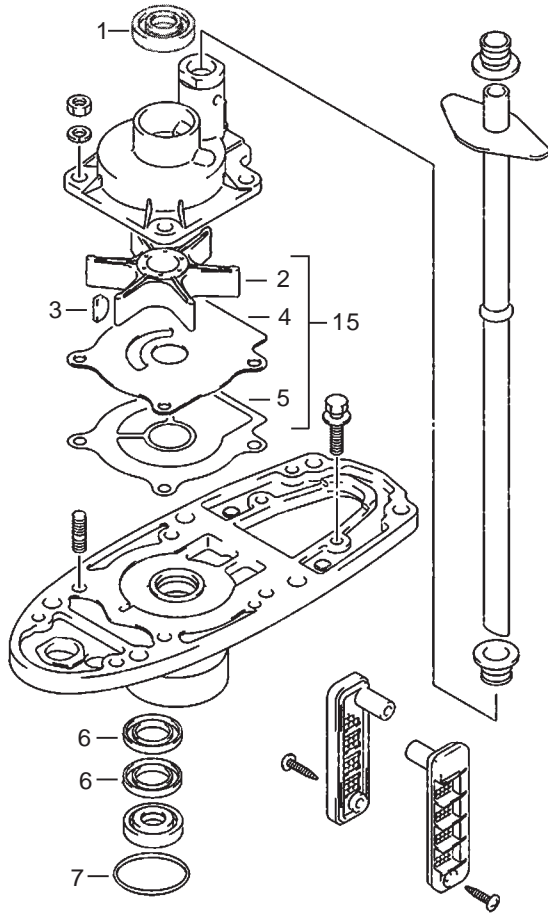




# Suzuki

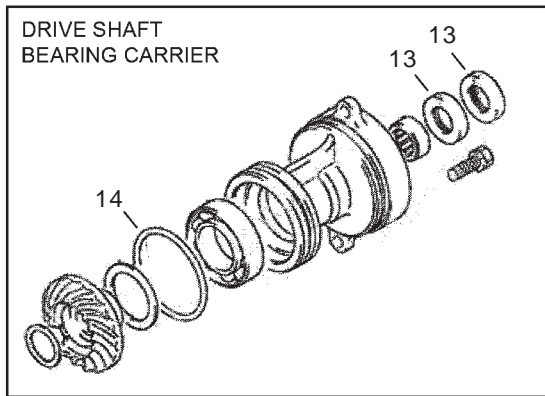
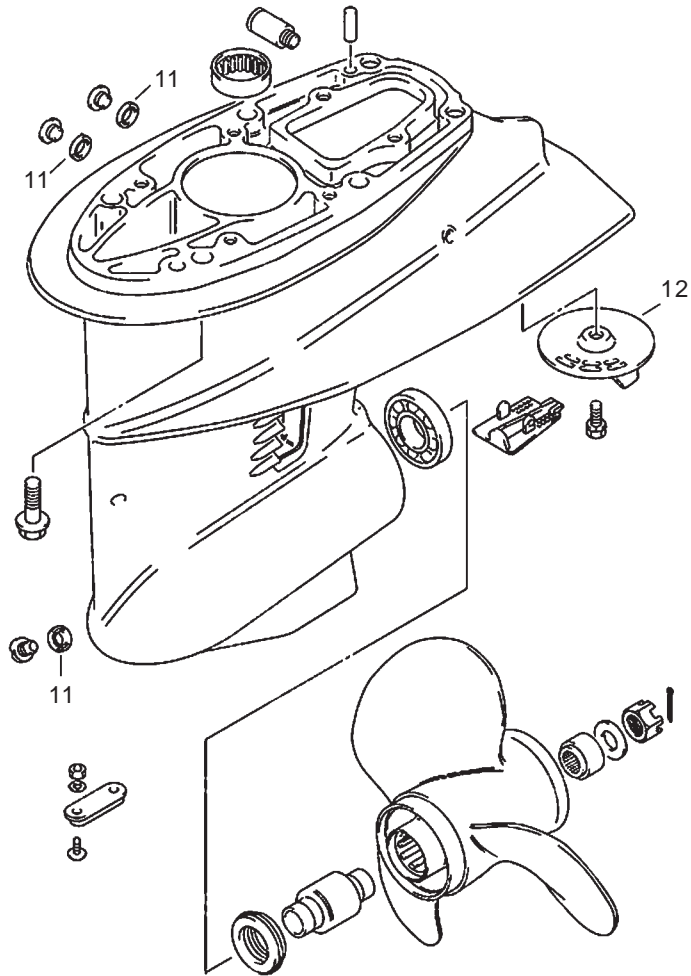
4-STROKE

GEARCASE COMPONENTS - DF25, 30, 40, 50



15 — **Water Pump Service Kit**  
**No. 15250**  
See Section 3

16 — **Gearcase Seal Kit**  
**No. 87860**  
See Section 2



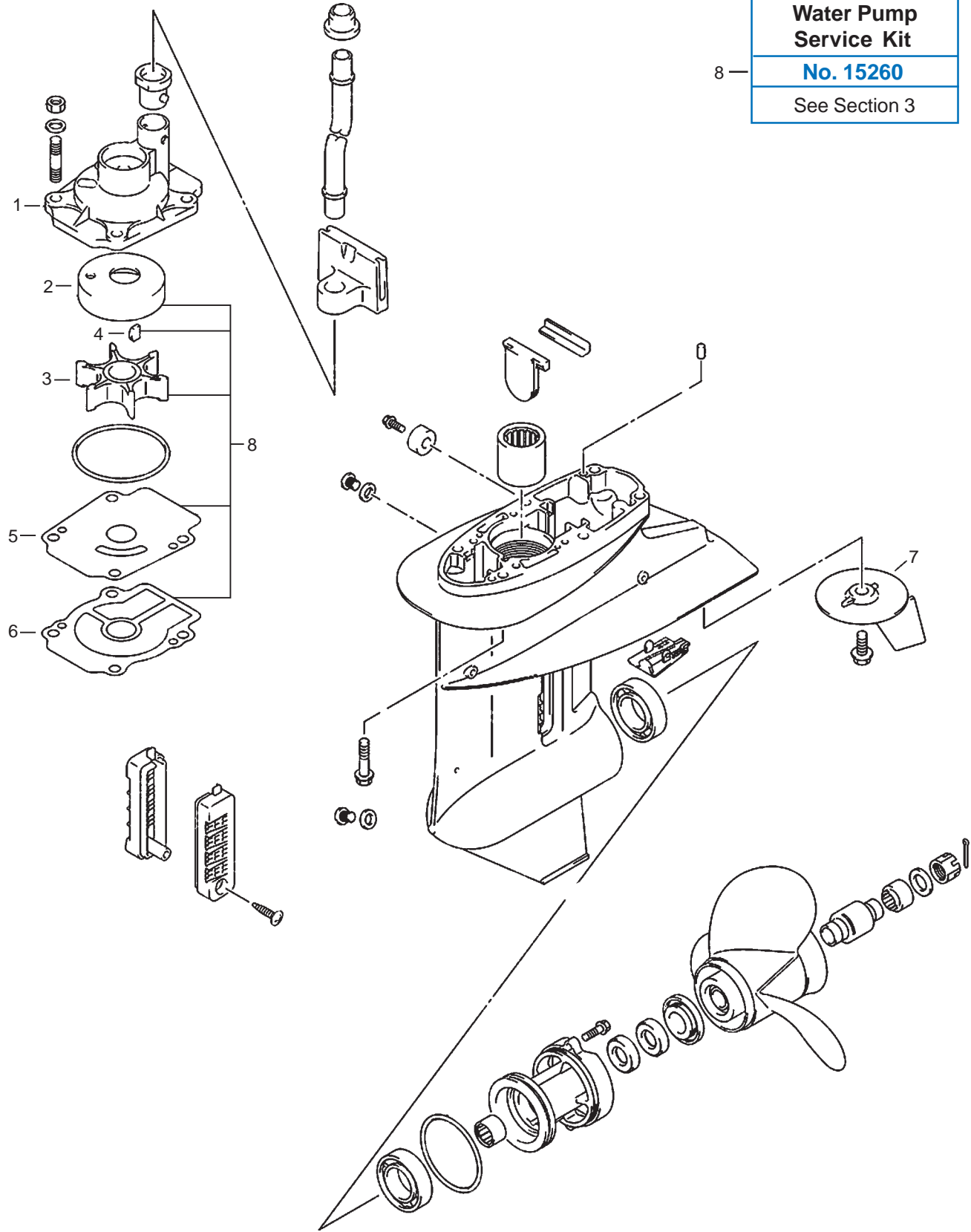


# Suzuki

4-STROKE

GEARCASE COMPONENTS - DF25A & DF30A

|                        |
|------------------------|
| Water Pump Service Kit |
| <b>No. 15260</b>       |
| See Section 3          |

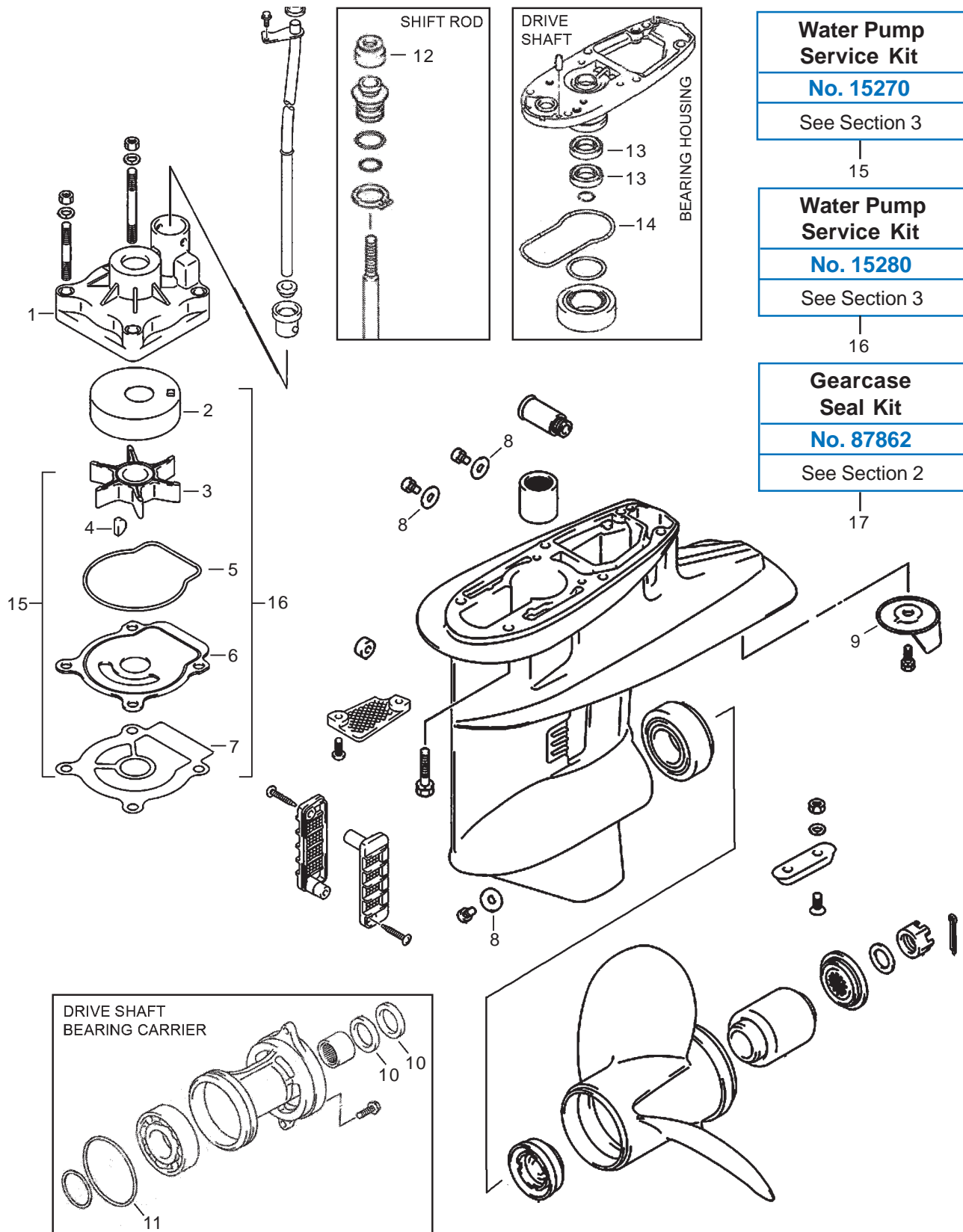




# Suzuki

4-STROKE

GEARCASE COMPONENTS - DF25V, 40A, 50A, 60A

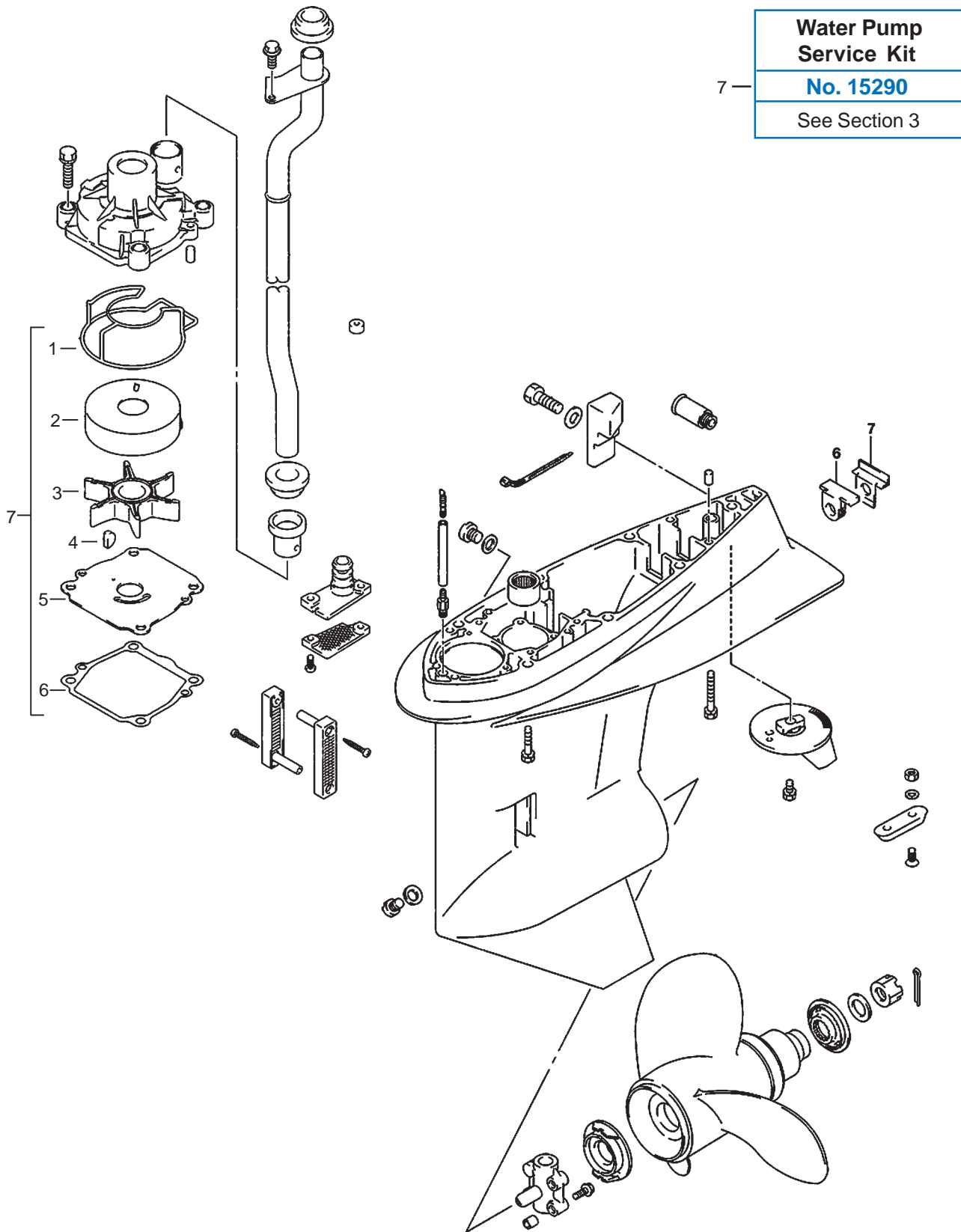




# Suzuki

4-STROKE

GEARCASE COMPONENTS - DF50AVT & DF60AVT



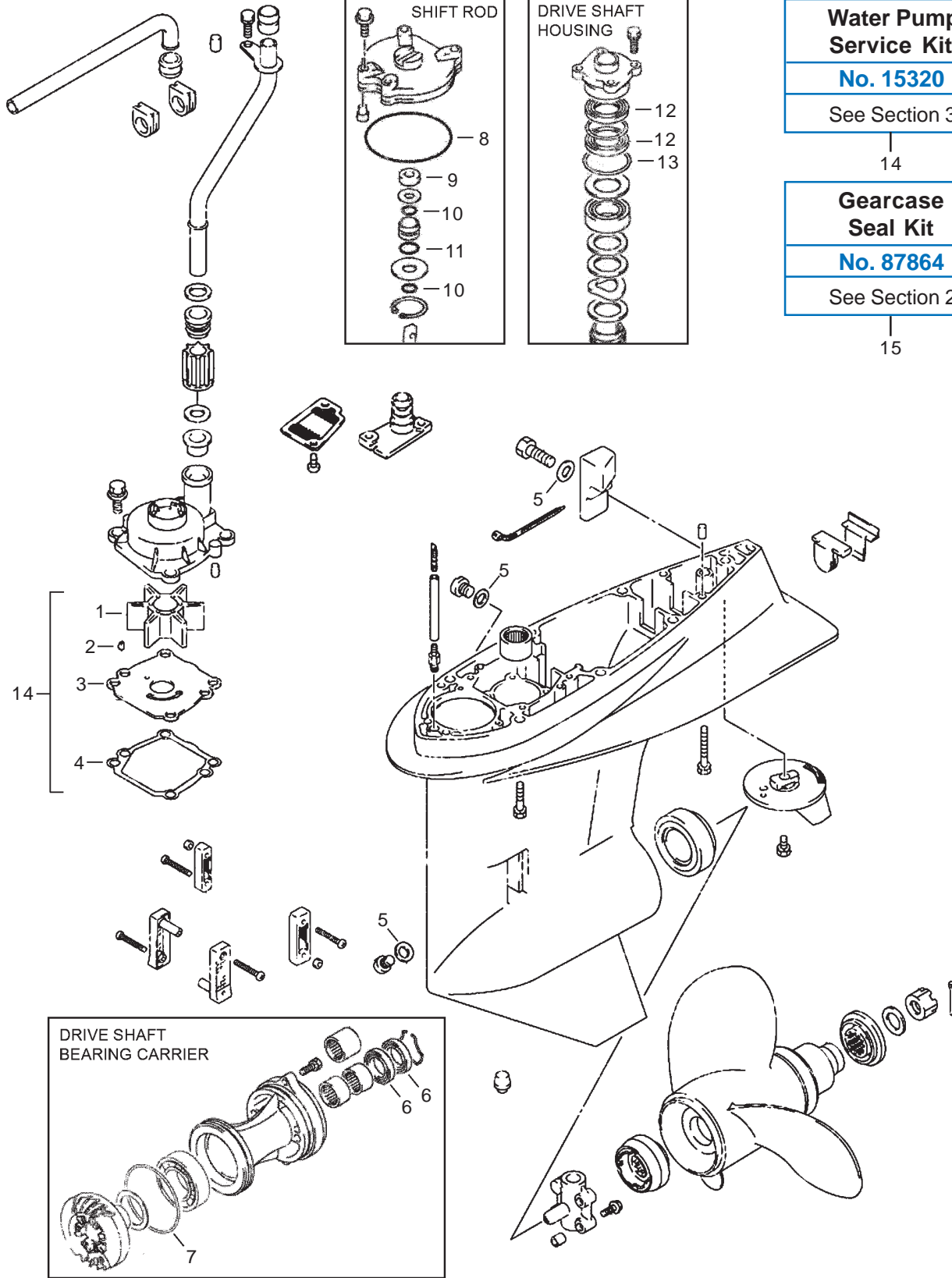




# Suzuki

4-STROKE

GEARCASE COMPONENTS - DF60 & DF70 (1998-2007)



**Water Pump  
Service Kit**

**No. 15320**

See Section 3

14

**Gearcase  
Seal Kit**

**No. 87864**

See Section 2

15

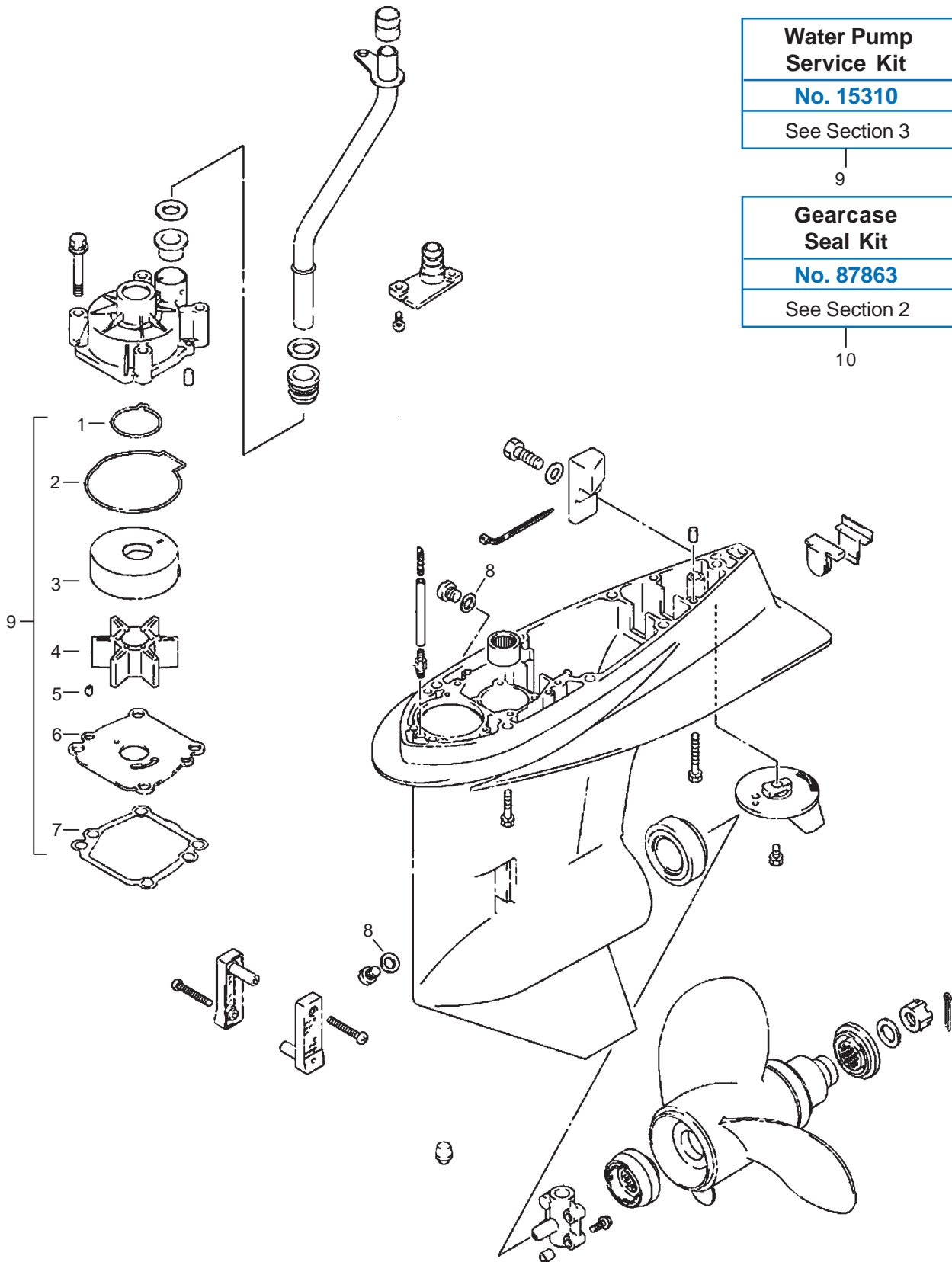
DRIVE SHAFT  
BEARING CARRIER



# Suzuki

4-STROKE

GEARCASE COMPONENTS - DF60 & DF70 (2008-2009)



Water Pump  
Service Kit

**No. 15310**

See Section 3

9

Gearcase  
Seal Kit

**No. 87863**

See Section 2

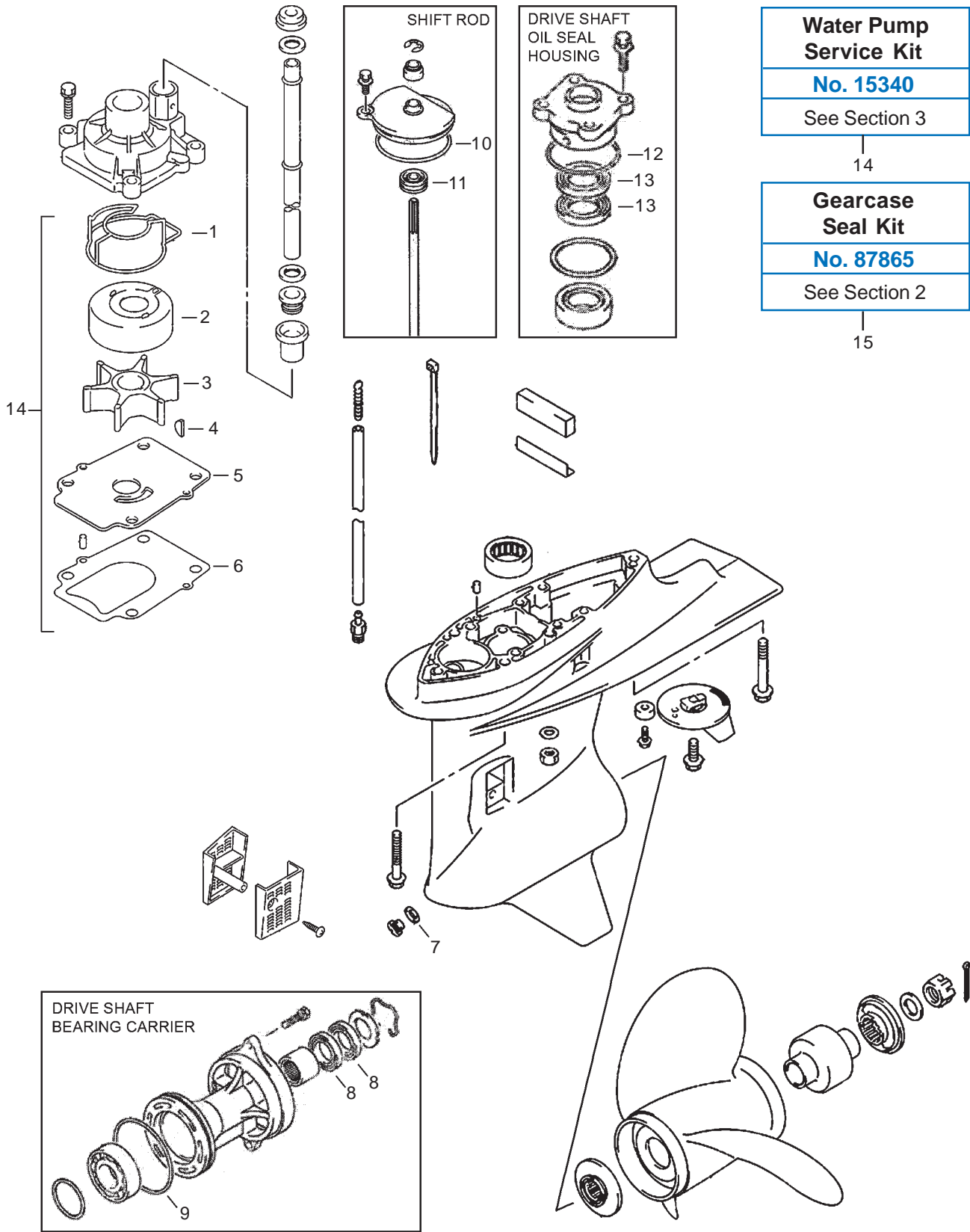
10



# Suzuki

4-STROKE

GEARCASE COMPONENTS - DF70A (09-20), 80A (09-11), 90A (09-20)

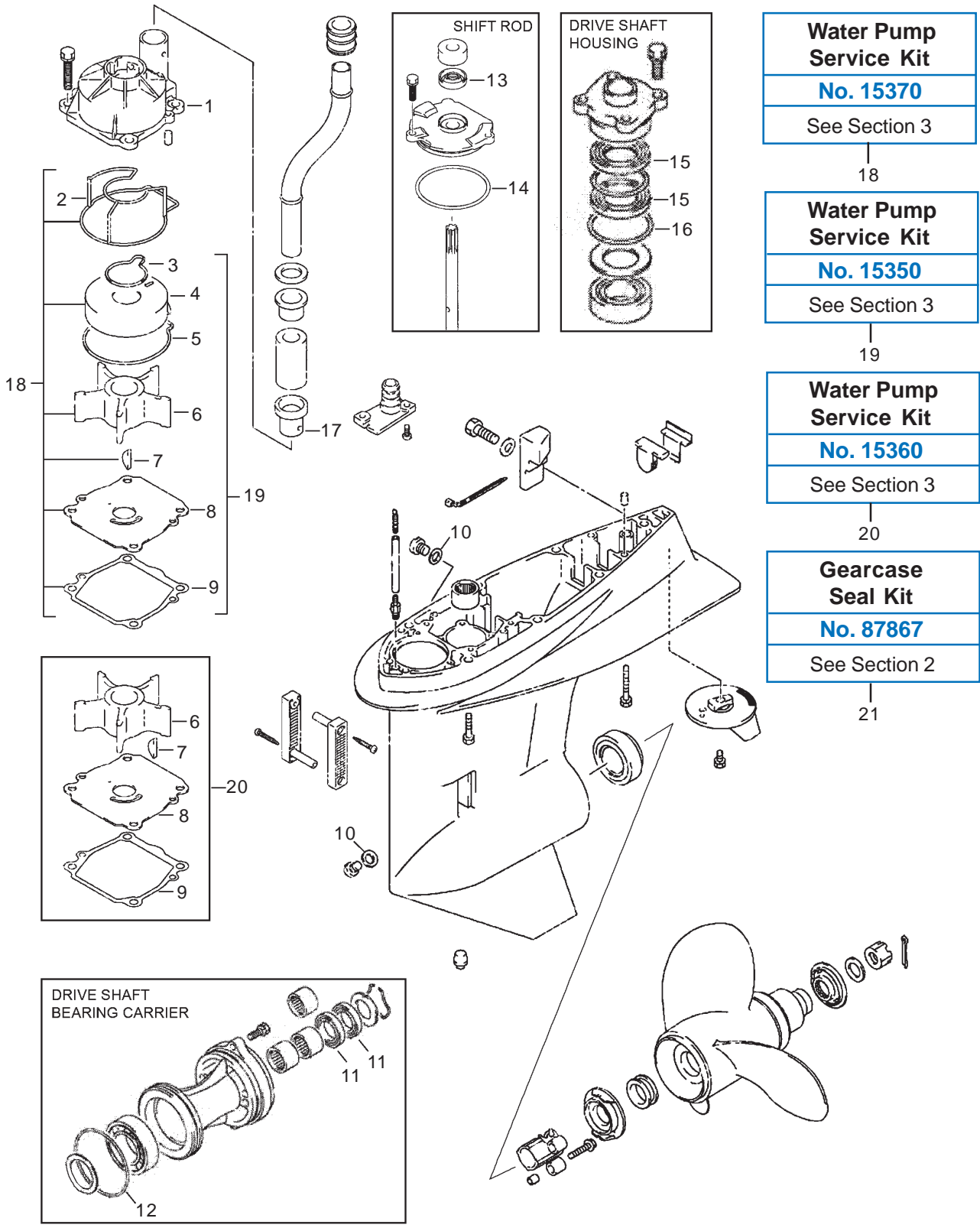




# Suzuki

**4-STROKE**

**GEARCASE COMPONENTS - DF90, 100, 115 (2001-08),  
DF140 (2001-12) & DF115, 115A, 140A (2009 & Up)**



**Water Pump Service Kit**  
**No. 15370**  
See Section 3

18

**Water Pump Service Kit**  
**No. 15350**  
See Section 3

19

**Water Pump Service Kit**  
**No. 15360**  
See Section 3

20

**Gearcase Seal Kit**  
**No. 87867**  
See Section 2

21





# Suzuki

4-STROKE

GEARCASE COMPONENTS - DF150, 150G, 150AP,  
175, 175G, 175AP, 200A, 200AP (2006 & Up)

Water Pump  
Service Kit

No. 15380

See Section 3

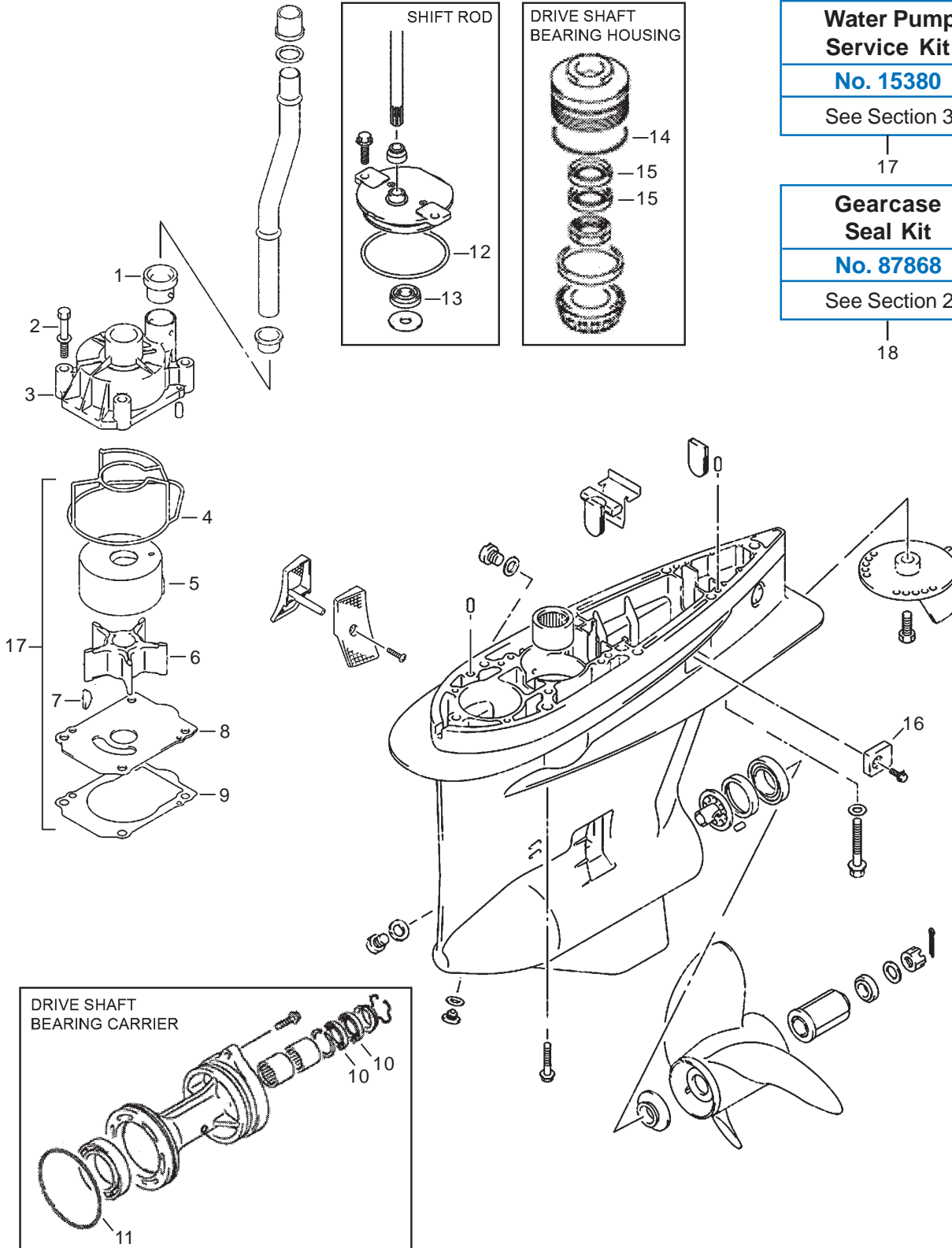
17

Gearcase  
Seal Kit

No. 87868

See Section 2

18

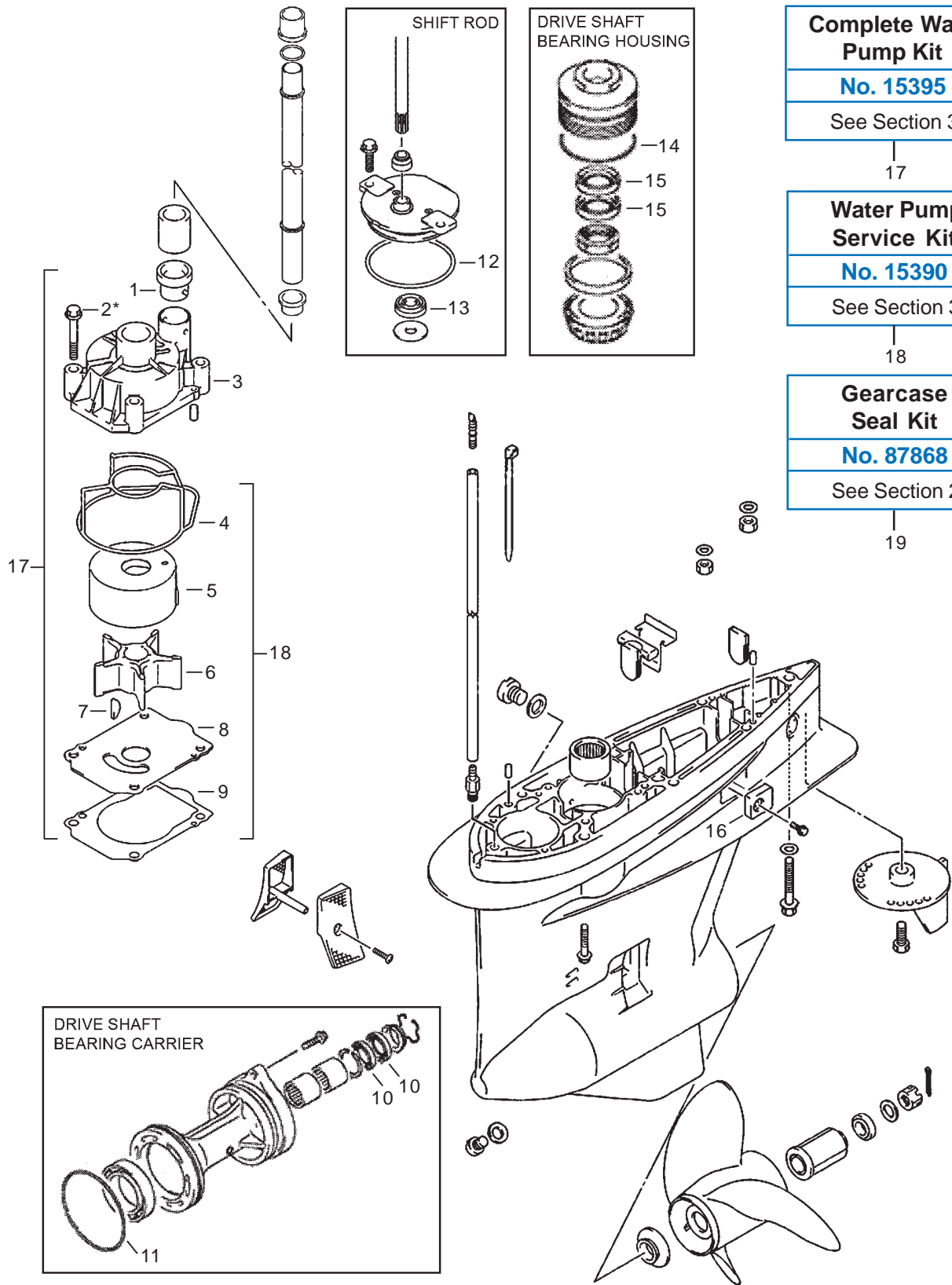




# Suzuki

4-STROKE

GEARCASE COMPONENTS - DF200, 225, 250, V6



**Complete Water Pump Kit**

**No. 15395**

See Section 3

17

**Water Pump Service Kit**

**No. 15390**

See Section 3

18

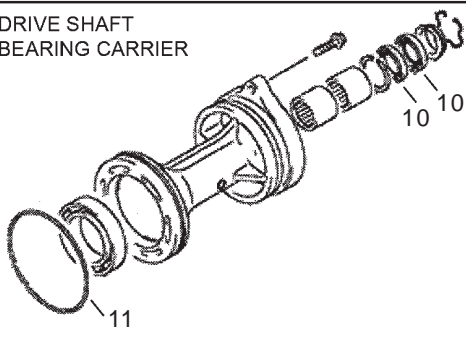
**Gearcase Seal Kit**

**No. 87868**

See Section 2

19

DRIVE SHAFT BEARING CARRIER

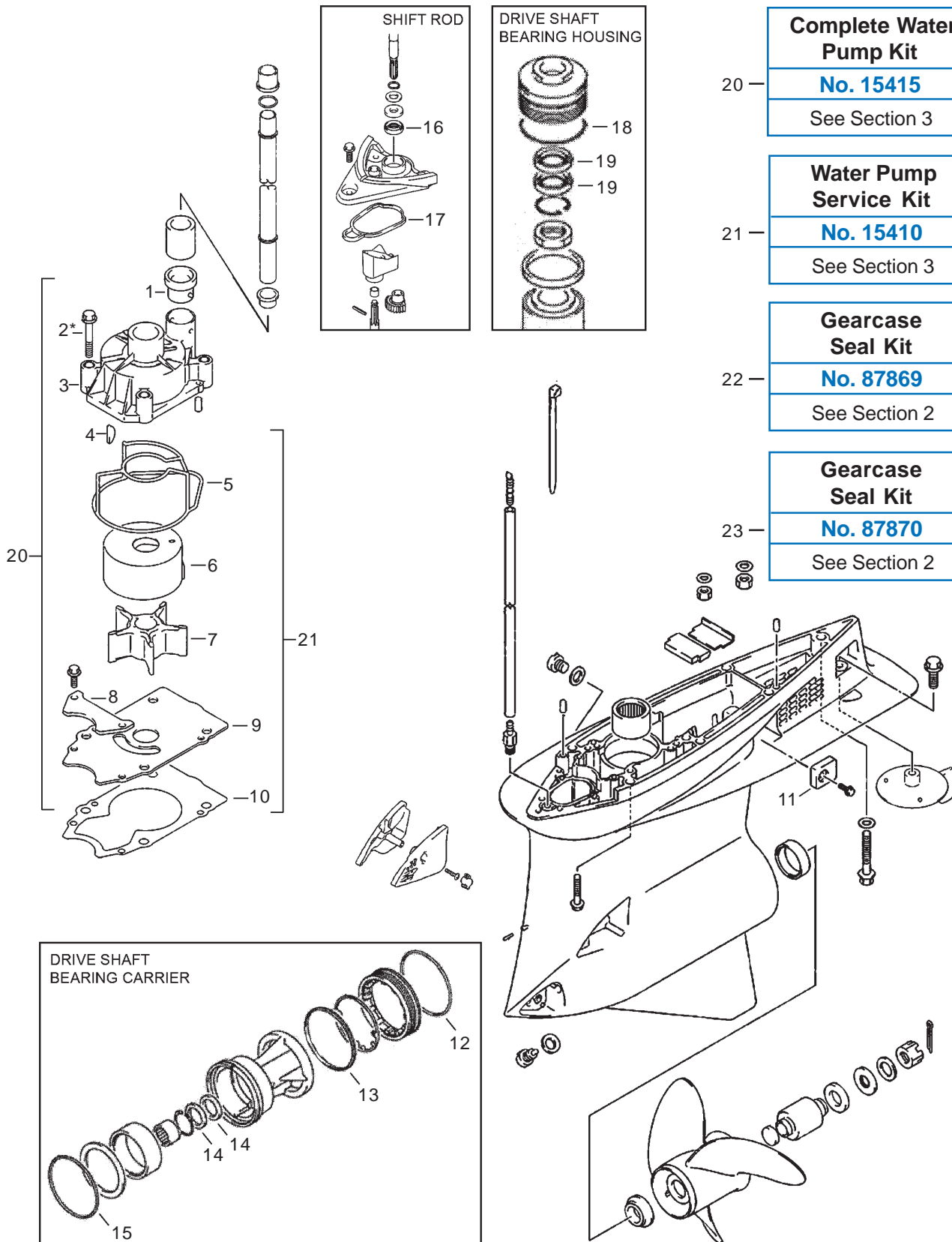




# Suzuki

4-STROKE

GEARCASE COMPONENTS - DF250A, 250AP, 250SS, 300, 300A, 300AP





# Suzuki

4-STROKE

GEARCASE COMPONENTS - DF300, 350A, 350B

Complete Water  
Pump Kit

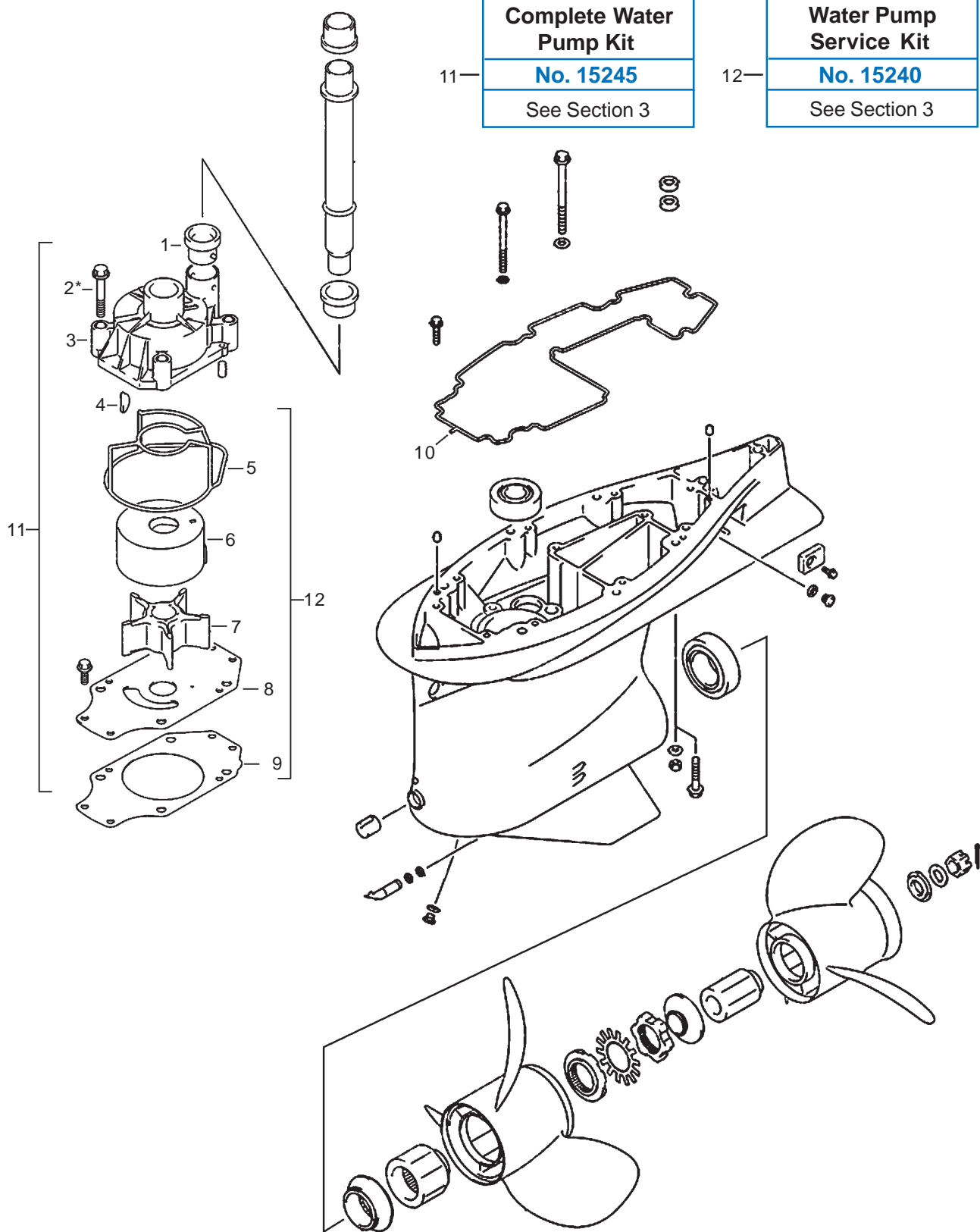
No. 15245

See Section 3

Water Pump  
Service Kit

No. 15240

See Section 3







# Suzuki

2-STROKE

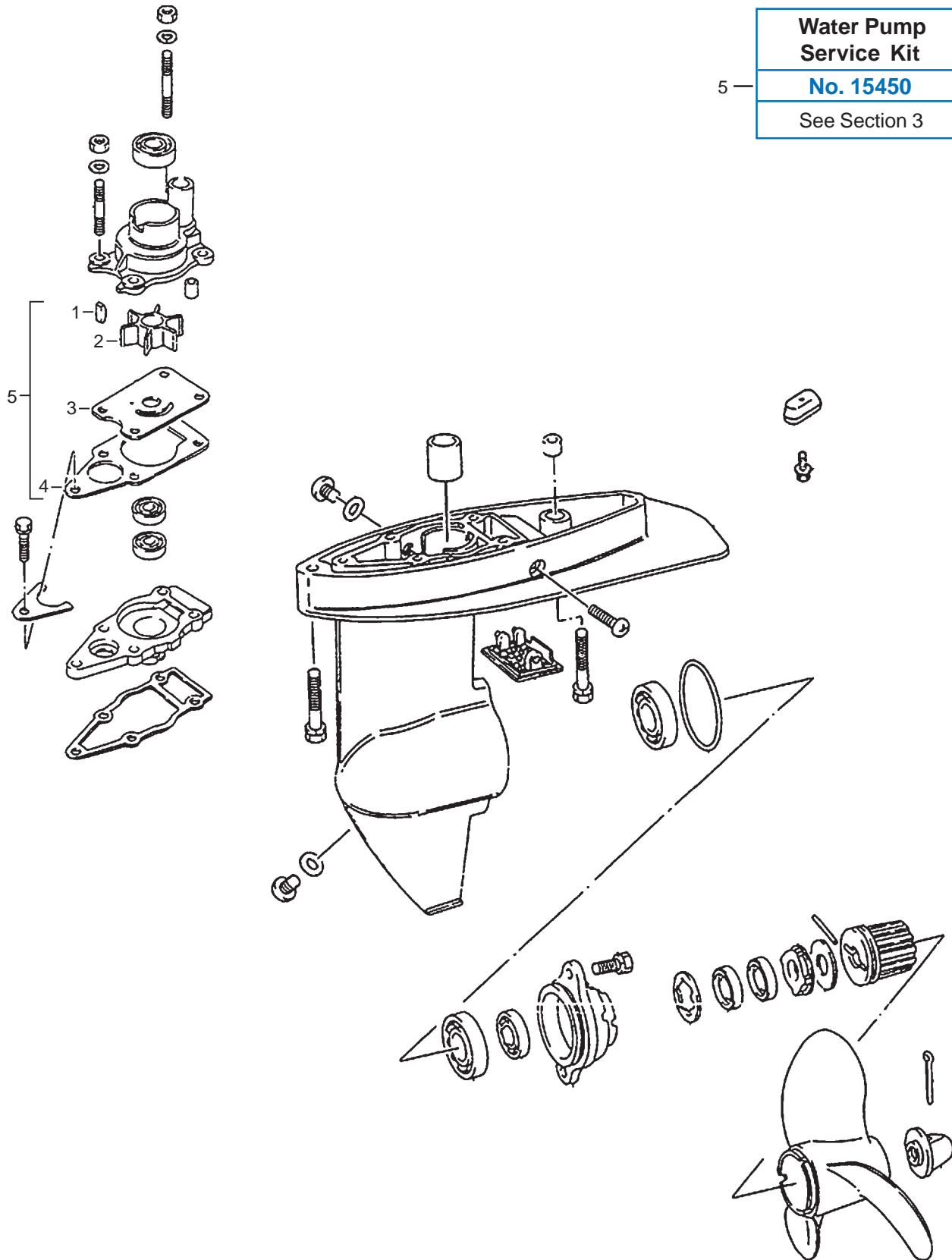
GEARCASE COMPONENTS - DT4 & DT5

Water Pump  
Service Kit

No. 15450

See Section 3

5





# Suzuki

2-STROKE

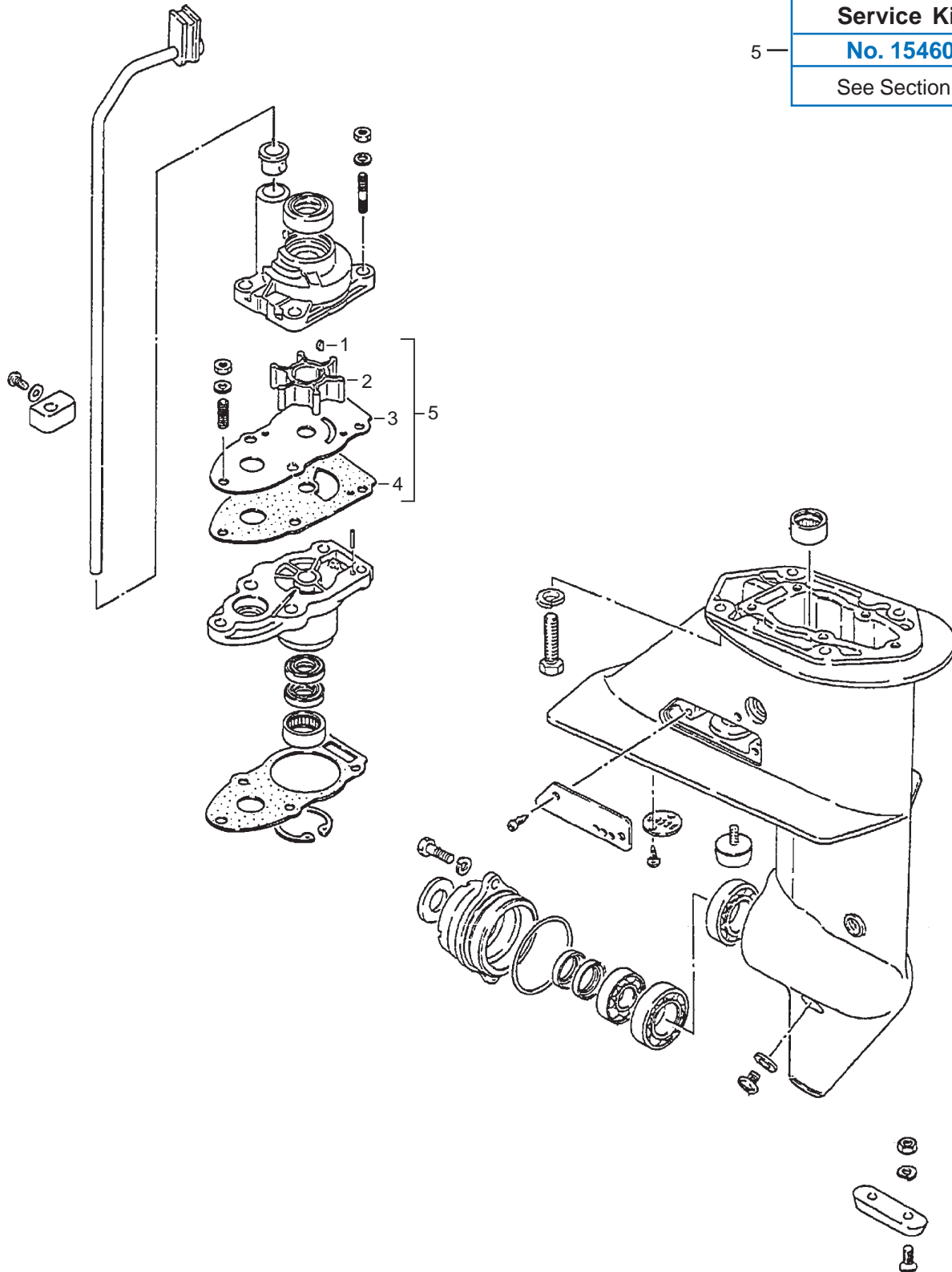
GEARCASE COMPONENTS - DT6 & DT8

Water Pump  
Service Kit

No. 15460

See Section 3

5 —

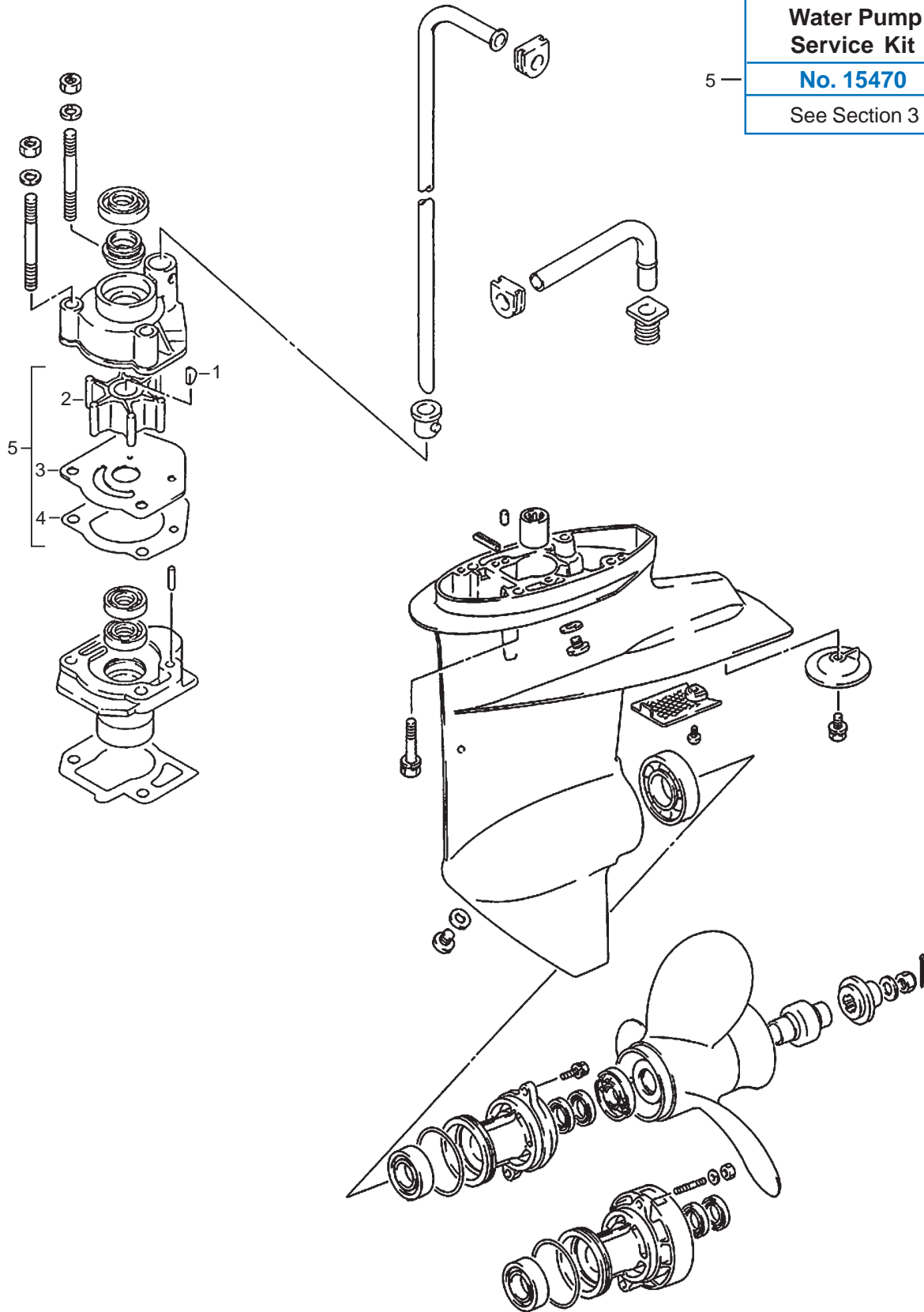




# Suzuki

2-STROKE

GEARCASE COMPONENTS - DT8C & DT9.9C

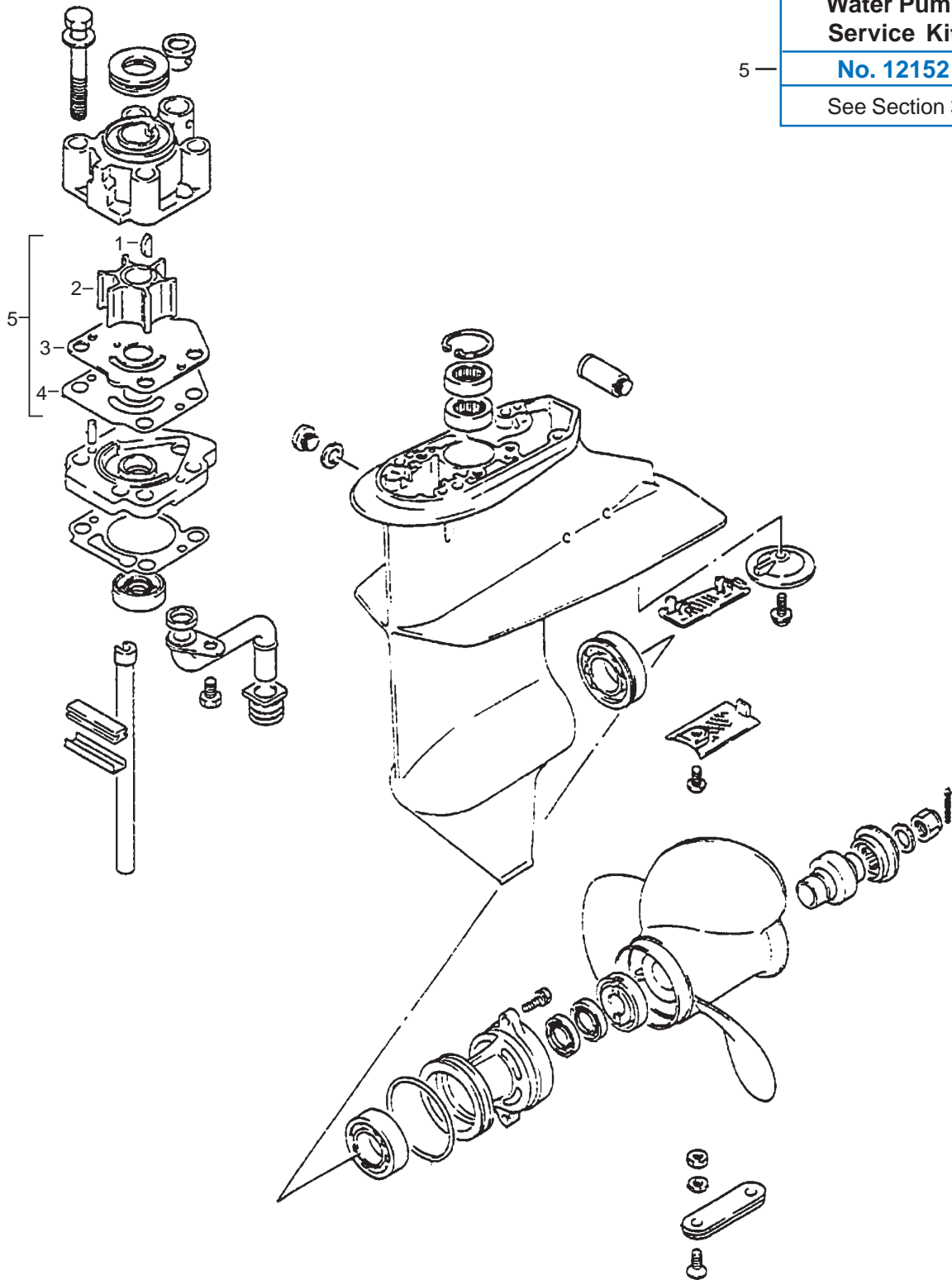




# Suzuki

2-STROKE

GEARCASE COMPONENTS - DT9.9, 15, 15C



Water Pump  
Service Kit  
**No. 12152**  
See Section 3





# Suzuki

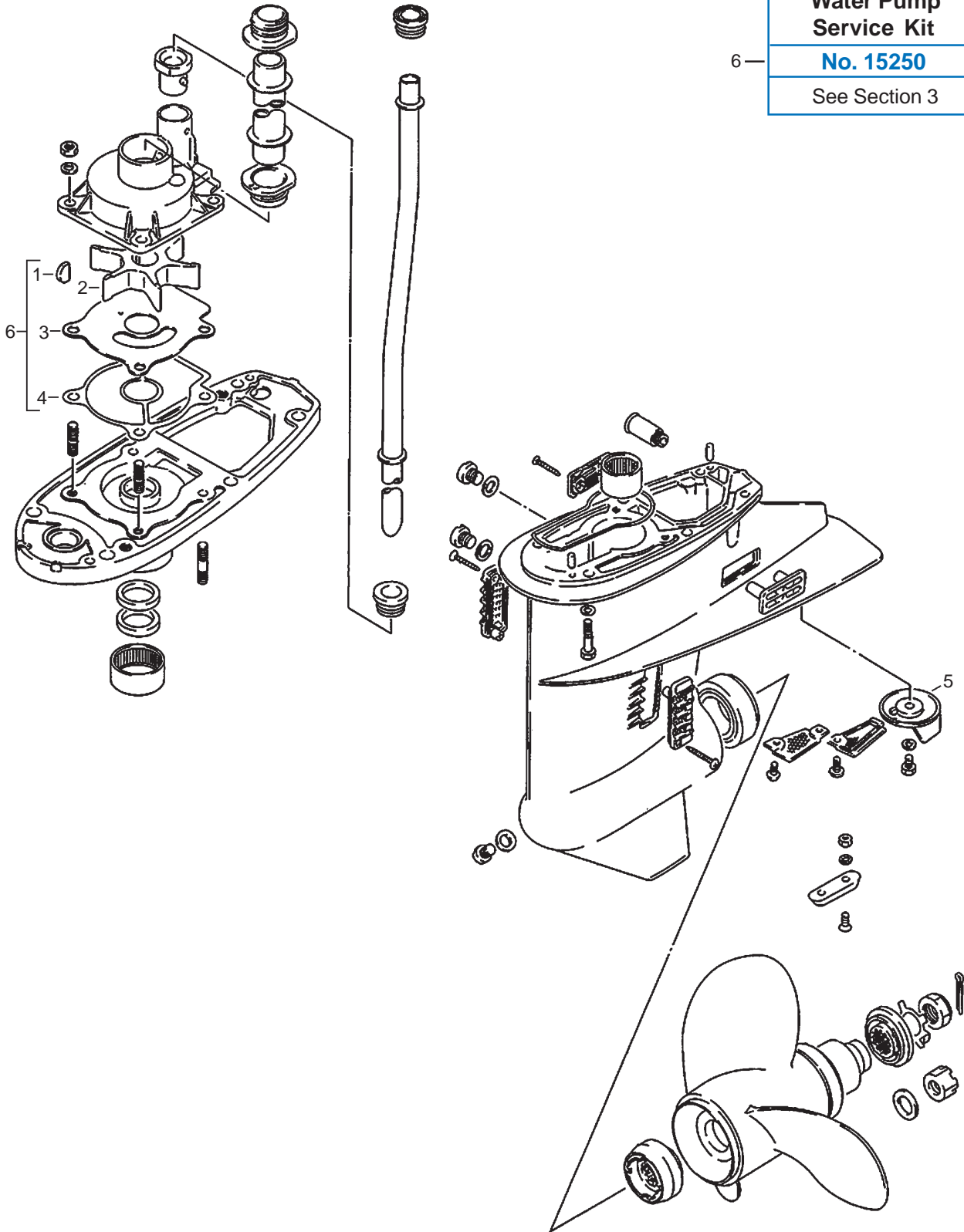
2-STROKE

GEARCASE COMPONENTS - DT20, 25, 30, 35, 40, 40C

Water Pump  
Service Kit

No. 15250

See Section 3





# Suzuki

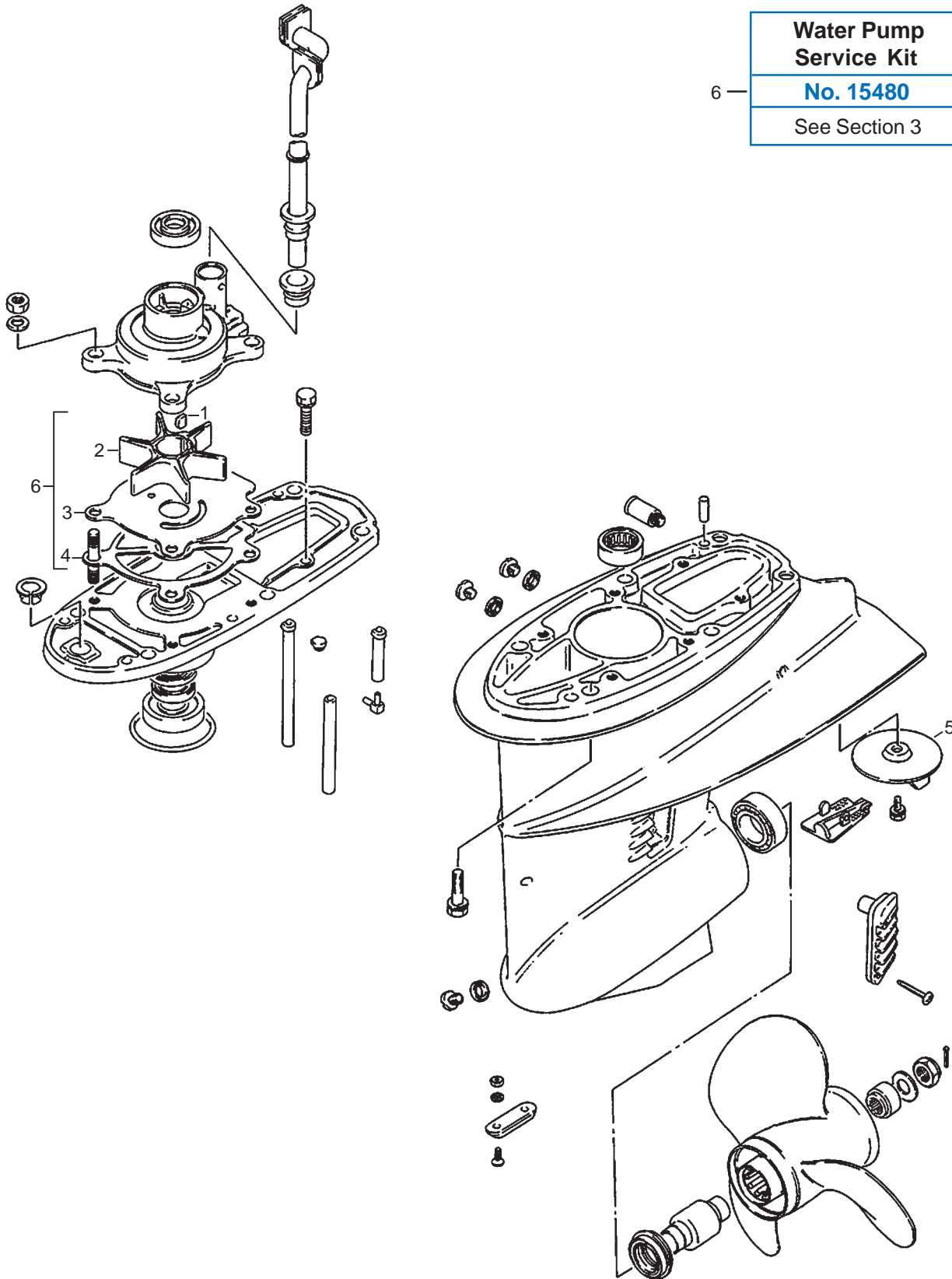
2-STROKE

GEARCASE COMPONENTS - DT25C & DT30C

Water Pump  
Service Kit

6 — **No. 15480**

See Section 3

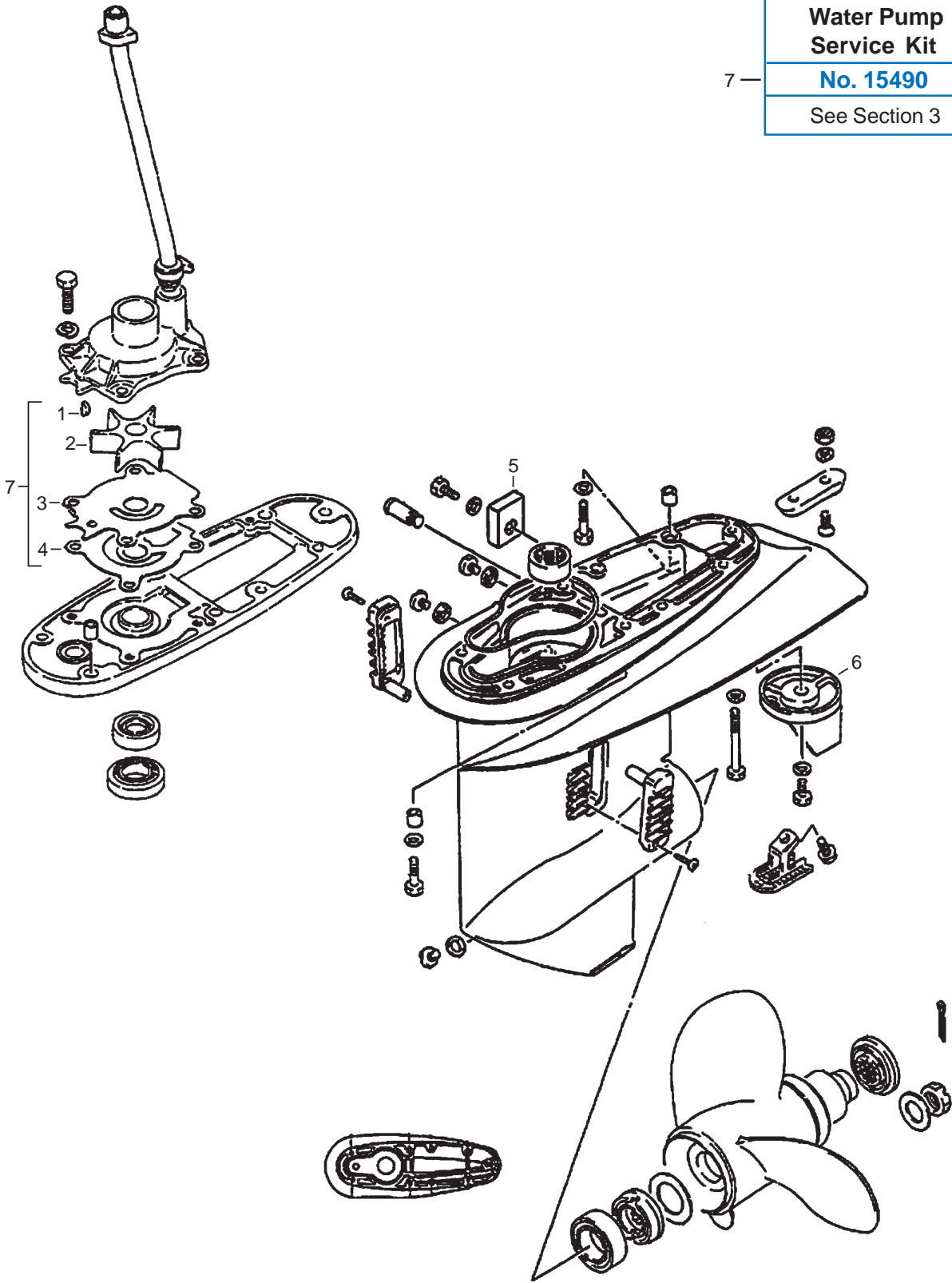




# Suzuki

2-STROKE

GEARCASE COMPONENTS - DT55 & DT65



|                        |
|------------------------|
| Water Pump Service Kit |
| <b>No. 15490</b>       |
| See Section 3          |



# Suzuki

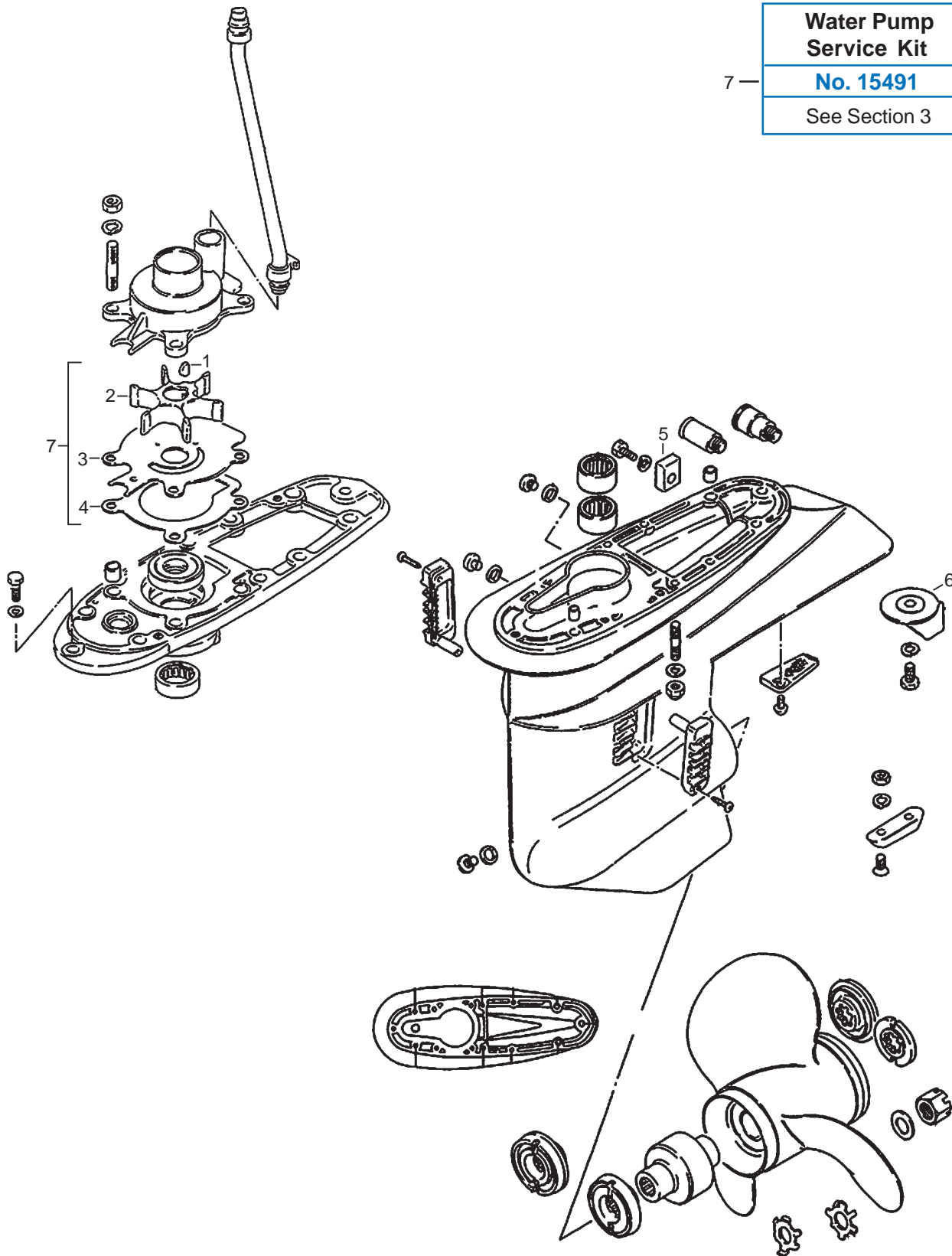
2-STROKE

GEARCASE COMPONENTS - DT75 & DT85

Water Pump  
Service Kit

No. 15491

See Section 3







# Suzuki

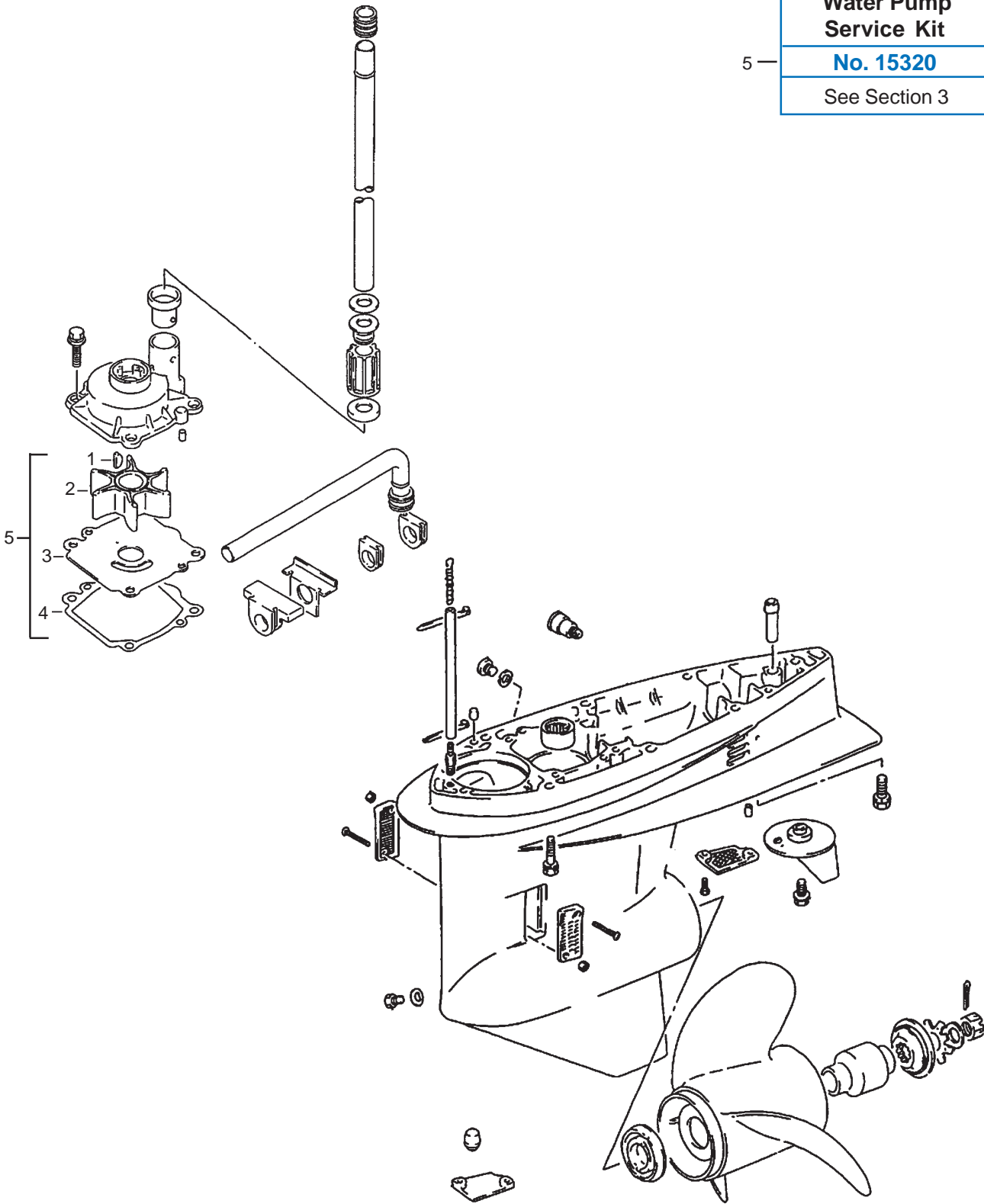
2-STROKE

GEARCASE COMPONENTS - DT90 & DT100

Water Pump  
Service Kit

No. 15320

See Section 3





# Suzuki

2-STROKE

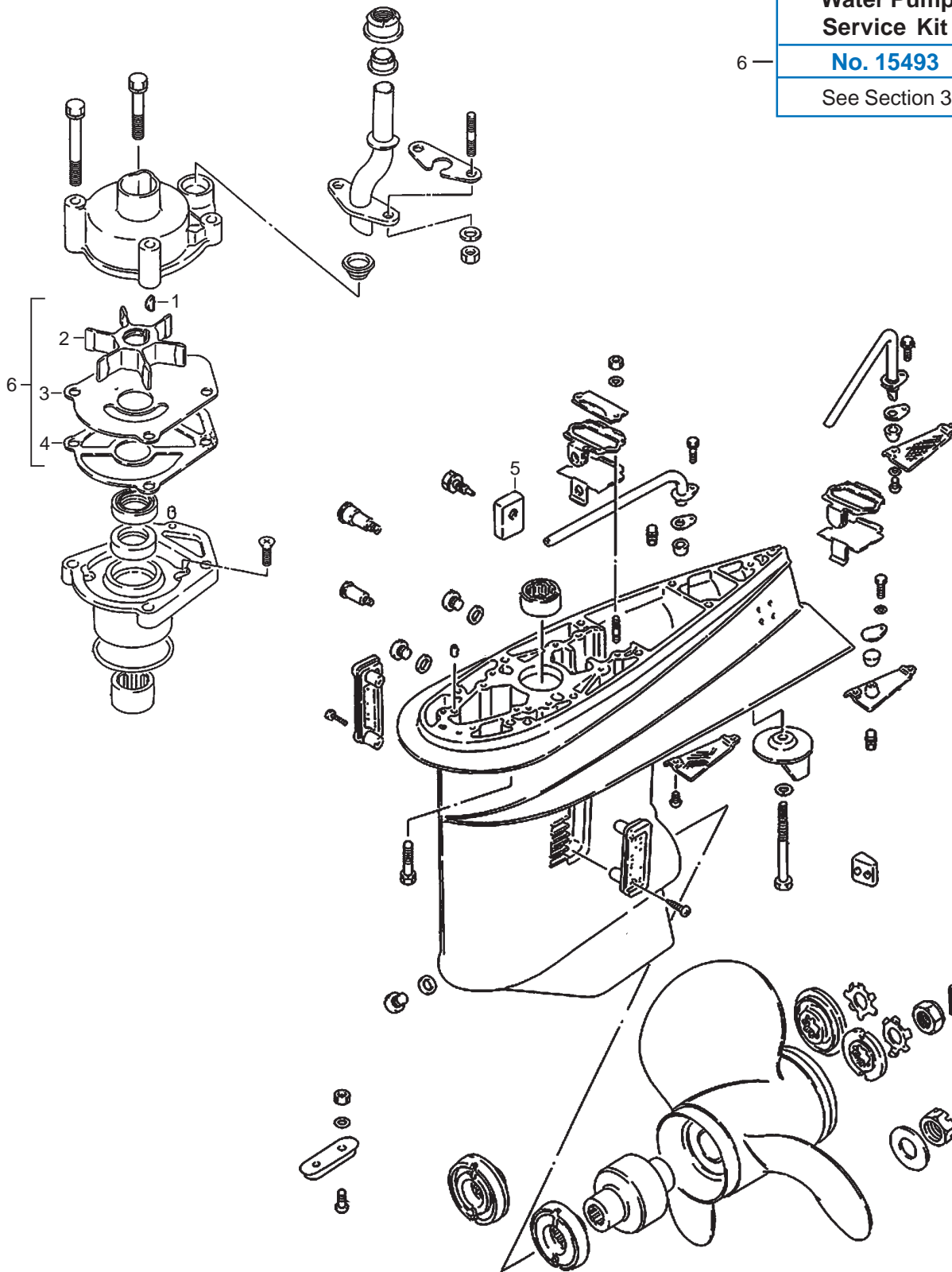
GEARCASE COMPONENTS - DT115 & DT140

Water Pump  
Service Kit

**No. 15493**

See Section 3

6

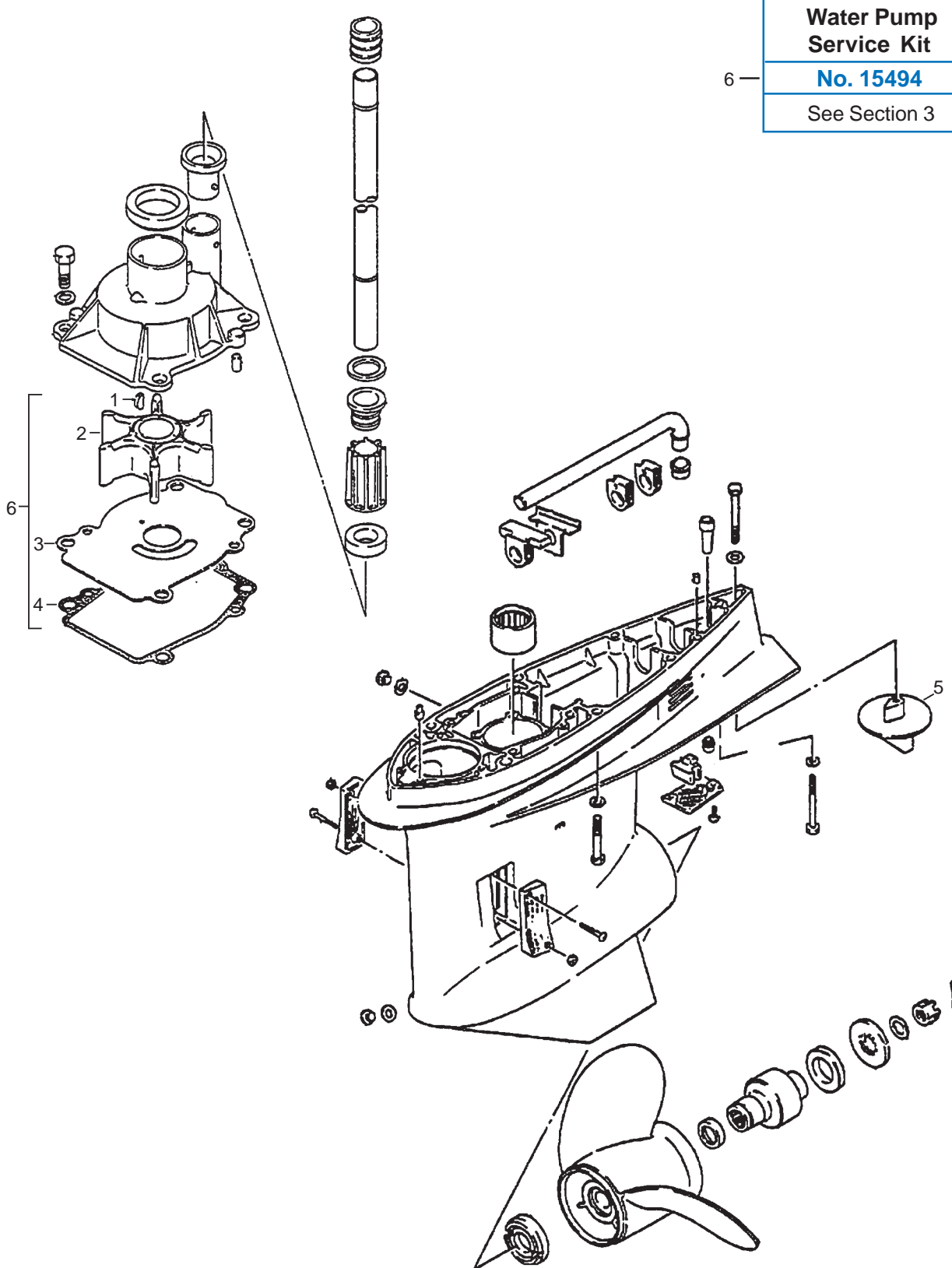




# Suzuki

2-STROKE

GEARCASE COMPONENTS - DT150, 175, 200, 225



|                        |
|------------------------|
| Water Pump Service Kit |
| <b>No. 15494</b>       |
| See Section 3          |







# Section 2

---

## Suzuki

### Gearcase Seal Kits

|   |              |
|---|--------------|
| <i>Gearcase Seal Kits - 4-Stroke - DF25 HP thru DF300AP .....</i> | <i>58-59</i> |
| <i>Gearcase Seal Kit Components - Oil Seals .....</i>             | <i>60</i>    |
| <i>Gearcase Seal Kit Components - Seals &amp; Grommets .....</i>  | <i>60</i>    |
| <i>Gearcase Seal Kit Components - O-rings .....</i>               | <i>61-62</i> |
| <i>Gearcase Seal Kit Components - Gaskets .....</i>               | <i>62</i>    |

# Suzuki

## SUZUKI GEARCASE SEAL KITS

### 4-Stroke

#### No. 87861

GEARCASE SEAL KIT  
OEM: 25700-95J00



DF25 & V-Twin

#### No. 87860

GEARCASE SEAL KIT  
OEM: 25700-95D03



DF25 & DF30 (except V-Twin)

#### No. 87862

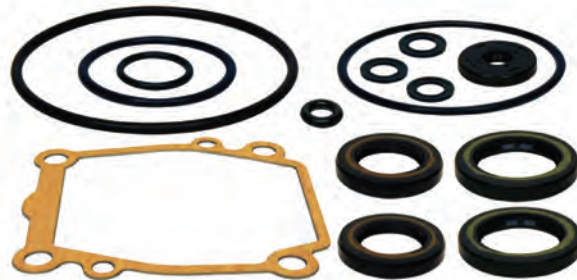
GEARCASE SEAL KIT  
OEM: 25700-88L01



DF40, 40A, 50, 50A, 60, & 60A

#### No. 87863

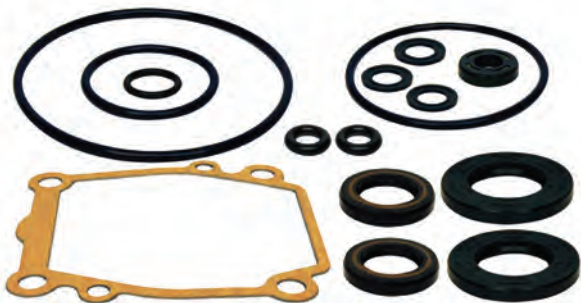
GEARCASE SEAL KIT  
OEM: 25700-87E00



DF60, 70 & V4 Models (1989-2000)

#### No. 87864

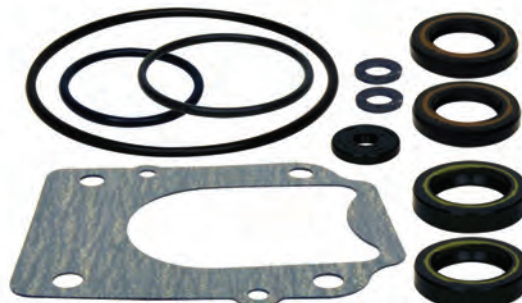
GEARCASE SEAL KIT  
OEM: 25700-99E00



DF60 & DF70 (2001-2010)

#### No. 87865

GEARCASE SEAL KIT  
OEM: 25700-87L00



DF70A & DF90A (2009 & Up)

# Suzuki

## SUZUKI GEARCASE SEAL KITS

### 4-Stroke

#### No. 87866

GEARCASE SEAL KIT  
OEM: 25700-90J01



DF90 & DF115

#### No. 87867

GEARCASE SEAL KIT  
OEM: 25700-92J00



DF140T & DF140Z

#### No. 87868

GEARCASE SEAL KIT  
OEM: 25700-93J00



DF150, 175, 200, 225 & 250

#### No. 87869

GEARCASE SEAL KIT  
OEM: 25700-98J00



DF250 & DF300

#### No. 87870

GEARCASE SEAL KIT  
OEM: 25700-93L02



DF250A, 250AP, 300A & 300AP

  
www.glmmarine.com

# Suzuki

## SUZUKI GEARCASE SEAL KIT COMPONENTS

### Oil Seals

|   |  |  |   |
|---|--|--|---|
| <p><b>No. 87042</b><br/>OIL SEAL<br/>OEM: 09289-20009</p>    | <p><b>No. 87041</b><br/>OIL SEAL<br/>OEM: 09282-17006</p>       | <p><b>No. 87039</b><br/>OIL SEAL<br/>OEM: 09282-17007</p>  | <p><b>No. 87027</b><br/>OIL SEAL<br/>OEM: 09289-22007</p>  |
| <p><b>No. 87038</b><br/>OIL SEAL<br/>OEM: 09282-17005</p>    | <p><b>No. 85225</b><br/>OIL SEAL<br/>OEM: 09282-22004/07</p>    | <p><b>No. 87036</b><br/>OIL SEAL<br/>OEM: 09282-28003</p>  | <p><b>No. 87026</b><br/>OIL SEAL<br/>OEM: 09282-28002</p>  |
| <p><b>No. 87035</b><br/>OIL SEAL<br/>OEM: 09284-08003</p>    | <p><b>No. 87034</b><br/>OIL SEAL<br/>OEM: 09282-25001</p>       | <p><b>No. 87029</b><br/>OIL SEAL<br/>OEM: 09283-10011</p>  | <p><b>No. 87021</b><br/>OIL SEAL<br/>OEM: 09282-24004</p>  |
| <p><b>No. 87022</b><br/>OIL SEAL<br/>OEM: 09282-30006</p>  | <br><a href="http://www.glmmarine.com">www.glmmarine.com</a> |  |   |
















### Seals & Grommets

|   |   |  |
|---|---|--|
| <p><b>No. 86582</b><br/>SEAL, SHIFT SHAFT<br/>OEM: 25223-94400</p>  <p>DF25V, 40A, 50A, 60A</p>  | <p><b>No. 86585</b><br/>SEAL RING<br/>OEM: 55122-88L00</p>  <p>DF25V, 40A, 50A, 60A</p>                                    | <p><b>No. 86584</b><br/>SEAL, SHIFT SHAFT<br/>OEM: 25222-96300</p>  <p>DF25, 25V, 30, 40, 40A, 50A, 60A</p> |
| <p><b>No. 87031</b><br/>SEAL, SHIFT SHAFT<br/>OEM: 09282-08005</p>  <p>DF60 &amp; 70, 70A, 80A, 90A, 150, 150G, 150AP, 175, 175G, 175AP, 200A, 200AP, 250A, 250AP, 250SS, 300, 300A, 300AP</p> | <p><b>No. 86586</b><br/>SEAL, SHIFT ROD GUIDE HSG.<br/>OEM: 55122-93L00</p>  <p>DF250A, 250AP, 250SS, 300, 300A, 300AP</p> | <p><b>No. 86587</b><br/>SEAL, RING<br/>OEM: 56128-93L00</p>  <p>DF250A, 250AP, 250SS, 300, 300A, 300AP</p>  |

# Suzuki

## SUZUKI GEARCASE SEAL KIT COMPONENTS

### O-Rings

|  |   |   |
|--|---|---|
| <p><b>No. 45690</b><br/>O-RING<br/>OEM: 09280-75002</p>                     | <p><b>No. 45700</b><br/>O-RING<br/>OEM: 09280-50005</p>                      | <p><b>No. 45710</b><br/>O-RING, SHIFT SHAFT<br/>OEM: 09280-13005</p>                                 |
| <p><b>No. 45510</b><br/>O-RING, SHIFT SHAFT<br/>OEM: 09280-08005</p>        | <p><b>No. 45680</b><br/>O-RING<br/>OEM: 09280-15007</p>                      | <p><b>No. 45670</b><br/>O-RING<br/>OEM: N/A</p>    |
| <p><b>No. 45660</b><br/>O-RING<br/>OEM: 09280-75001</p>                   | <p><b>No. 45540</b><br/>O-RING, SHIFT SHAFT<br/>OEM: 09280-11001</p>       | <p><b>No. 45490</b><br/>O-RING<br/>OEM: 09280-20004</p>    |
| <p><b>No. 45610</b><br/>O-RING, DRIVE SHAFT OIL<br/>OEM: 09280-46004</p>  | <p><b>No. 45500</b><br/>O-RING, SHIFT ROD GUIDE<br/>OEM: 09280-69001</p>  | <p><b>No. 45650</b><br/>O-RING, SHIFT SHAFT<br/>OEM: 09280-86001</p>                               |
| <p><b>No. 82030</b><br/>O-RING, SHIFT SHAFT<br/>OEM: 09280-08008</p>      | <p><b>No. 45640</b><br/>O-RING, SHIFT ROD GUIDE<br/>OEM: 09280-15003</p>   | <p><b>No. 45620</b><br/>O-RING, PROP SHAFT<br/>BRG HSG &amp; SHIFT SHAFT<br/>OEM: 09280-97001</p>  |

# Suzuki

## SUZUKI GEARCASE SEAL KIT COMPONENTS

### O-Rings continued...

#### No. 45460

O-RING, SHIFT ROD GUIDE HSG  
OEM: 09280-55002



#### No. 45630

O-RING, PROP SHAFT BRG. HSG.  
OEM: 09280-92004



#### No. 45600

O-RING  
OEM: 09280-60007



#### No. 45570

O-RING  
OEM: 09280-66004



#### No. 45580

O-RING  
OEM: 09280-00040



#### No. 45560

O-RING  
OEM: N/A



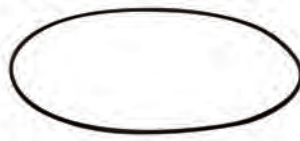
#### No. 45590

O-RING  
OEM: 09280-00047



#### No. 80470

O-RING  
OEM: 09280-00050



### Gaskets

#### No. 38147

GASKET, WATER PUMP  
OEM: 17472-96301



DF25, 25V, 30, 40, 40A, 50A, 60A  
(except V-Twin)

#### No. 38201

GASKET, DRAIN PLUG  
OEM: 09168-10022



DF25, 25V, 30, 40, 40A, 50A, 60, 60A, 70,  
90, 100, 115, 115A, 140, 140A

#### No. 38202

GASKET, DRAIN PLUG  
OEM: 09168-10034



DF70A, 80A, 90A  
(09 Model)

#### No. 38144

GASKET, WATER PUMP  
OEM: 17472-87E10



DF60, 70, 90, 100, 115, 115A, 140, 140A

#### No. 38146

GASKET, WATER PUMP  
OEM: 17472-87L00



DF70A, 80A, 90A (09 Model)



# Section 3

## Suzuki Cooling System

|  |       |
|--|-------|
| <i>Water Pump Impeller &amp; Key Identification</i> .....  | 64-65 |
| <i>Water Pump Kits - DF4, 4A, 6, 6A, 8A, 9.9, 9.9A/B, 15, 15A, 20A, (4-S)</i> ..   | 66    |
| <i>Water Pump Kits - DF25, 25A/V, 30, 30A, 40, 40A, 50, 50A, 60A, (4-S)</i> ..   | 67    |
| <i>Water Pump Kits - DF50AVT, 60, 70, 70A, 80A, 90A, (4-Stroke)</i> .....  | 68    |
| <i>Water Pump Kits - DF90, 115, 115A, 140, 140A, 150, 150G, 150AP, 175,<br/>175G, 175AP, 200A, 200AP, (4-Stroke)</i> ..... | 69    |
| <i>Water Pump Kits - DF200, 225, 250, 250SS, 250AP, 300, 300AP, 350A,<br/>350B, (4-Stroke)</i> .....                       | 70    |
| <i>Water Pump Kits Applications - (4-Stroke)</i> .....   | 71-72 |
| <i>Water Pump Kits - DT4, 5, 6, 8, 8C, 9.9, 9.9C, 15, 15C, 20, 25, 30, 35, 40C, (2-S)</i> .....                            | 73    |
| <i>Water Pump Kits - DT25C, 30C, 55, 65, 75, 85, 90, 100, 115, 140, 150, 175, 200, 225, (2-S)</i> .....                    | 74    |
| <i>Water Pump Kits Applications - (2-Stroke)</i> .....   | 75    |
| <i>Thermostats &amp; Thermostats Applications - (4-Stroke)</i> .....   | 76    |

# Suzuki

## WATER PUMP IMPELLER & KEY IDENTIFICATION

### Water Pump Impellers & Keys

For Suzuki Models  
4-Stroke & 2-Stroke

These water pump impellers can be divided into two distinct groups.

**High volume water pumps use long vane impellers.**

**High pressure water pumps use short vane impellers.**

#### High Pressure / Short Vane Impellers

##### No. 89647 (Kit No's. 12152, 15220, 15230)

HIGH PRESSURE / SHORT VANE IMPELLER

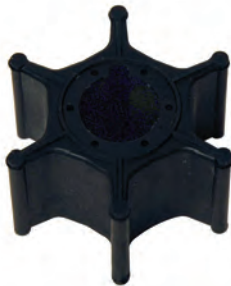
OEM: 17461-939M0

See Application Guide

**Outside ø:** 1.5625"

**Inside ø:** .50"

4-Stroke & 2-Stroke



##### No. 89579

KEY, HALF MOON

OEM: 09420-03009



#### High Volume / Long Vane Impellers

##### No. 89626 (Kit No. 15470)

HIGH VOLUME / LONG VANE IMPELLER

OEM: 17461-92D02

Not Sold Separately

**Outside ø:** 1.625"

**Inside ø:** .4375"

2-Stroke



##### No. 89579

(For Kit No. 15470)

KEY, HALF MOON

OEM: 09420-03009



##### No. 89516 (Kit No's. 15210, 15450, 15460)

HIGH VOLUME / LONG VANE IMPELLER

OEM: 17461-985M0, 17461-98501

See Application Guide

**Outside ø:** 1.625"

**Inside ø:** .4375"

4-Stroke & 2-Stroke



##### No. 89575

KEY, WOODRUFF

OEM: 09420-03002



##### No. 89373 (Kit No. 15260)

HIGH VOLUME / LONG VANE IMPELLER

OEM: 17461-94L00

See Application Guide

**Outside ø:** 2.375"

**Inside ø:** .625"

4-Stroke



##### No. 89574

KEY, WOODRUFF

OEM: 17462-94L00



##### No. 89628 (Kit No's. 15250, 15270, 15280)

HIGH VOLUME / LONG VANE IMPELLER

OEM: 17461-96312

See Application Guide

**Outside ø:** 2.50"

**Inside ø:** .625"

4-Stroke & 2-Stroke



##### No. 89578

KEY, WOODRUFF

OEM: 09420-04006





# Suzuki

## WATER PUMP IMPELLER & KEY IDENTIFICATION

### High Volume / Long Vane Impellers cont...

#### No. 89632 (Kit No. 15480)

HIGH VOLUME / LONG VANE IMPELLER

OEM: 17461-96410

Not Sold Separately

Outside ø: 2.625"

Inside ø: .625"

2-Stroke



#### No. 89578

(For Kit No. 15480)

KEY, WOODRUFF

OEM: 09420-04006



#### No. 89625 (Kit No. 15490)

HIGH VOLUME / LONG VANE IMPELLER

OEM: 17461-94701

Not Sold Separately

Outside ø: 2.625"

Inside ø: .625"

2-Stroke



#### No. 89572

(For Kit No. 15490)

KEY, WOODRUFF

OEM: 09420-04005



#### No. 89627 (Kit No. 15491)

HIGH VOLUME / LONG VANE IMPELLER

OEM: 17461-95302

Not Sold Separately

Outside ø: 2.625"

Inside ø: .75"

2-Stroke



#### No. 89572

(For Kit No. 15491)

KEY, WOODRUFF

OEM: 09420-04005



#### No. 89380 (Kit No's. 15310, 15320, 15340)

HIGH VOLUME / LONG VANE IMPELLER

OEM: 17461-87E12

See Application Guide

Outside ø: 3.0625"

Inside ø: .8125"

4-Stroke & 2-Stroke



#### No. 89577

KEY, HALF MOON

OEM: 09420-04009



#### No. 89370 (Kit No's. 15350, 15360, 15370, 15380, 15493, 15494)

HIGH VOLUME / LONG VANE IMPELLER

OEM: 17461-90J01

See Application Guide

Outside ø: 3.375"

Inside ø: .875"

4-Stroke & 2-Stroke



#### No. 89576

KEY, HALF MOON

OEM: 09420-05009



#### No. 89360 (Kit No's. 15390, 15410, 15240)

HIGH VOLUME / LONG VANE IMPELLER

OEM: 17461-93J00

See Application Guide

Outside ø: 3.4375"

Inside ø: .9375"

4-Stroke



#### No. 89576

KEY, HALF MOON

OEM: 09420-05009



# Suzuki

## 4-STROKE

## WATER PUMP KITS - DF4, 4A, 6, 6A, 8A, 9.9, 9.9A, 9.9B, 15, 15A, 20A

### Water Pump Impeller Kit

#### No. 12316

OEM: 17400-98661



DF4, 4A, 6, 6A

### Water Pump Service Kit

#### No. 15210

OEM: 17400-986L2



DF4, 4A, 6, 6A

### Water Pump Service Kits

#### No. 15220

OEM: 17400-99J01



DF8A (2010-11), DF9.9A (2010-16), DF9.9B (2014 & Up), DF15A (2013 & Up) & DF20A (2013 & Up)

#### No. 15230

OEM: 17400-94J00



DF9.9 (2007-13), DF15 (2007-20)

#### No. 12152

OEM: 17400-93951



DF9.9 (1996-06), DF15 (1996-06)

### Impellers / Pump Cup

### Wear Plates / Gaskets

#### No. 89516

OEM: 17461-985M0



#### No. 89647

OEM: 17461-939M0



#### No. 12586

OEM: 17471-98610



#### No. 12582

OEM: 17471-99J00



#### No. 12581

OEM: 17471-93902



#### No. 16750

OEM: 17413-94J00



#### No. 38154

OEM: 17472-91J00



#### No. 38150

OEM: 17473-94J00



#### No. 38151

OEM: 17472-99J00



#### No. 38152

OEM: 17472-93911



# Suzuki

## WATER PUMP KITS - DF25, 25A, 25V, 30, 30A, 40, 40A, 50, 50A, 60A

**4-STROKE**

### Water Pump Service Kits

#### No. 15250

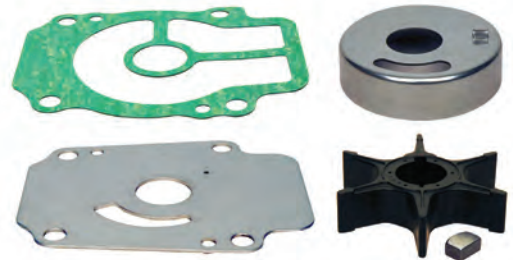
OEM: 17400-96354



DF25 (2000-06), DF30 (2000-07),  
DF40 (1999-10), DF50 (1999-10)

#### No. 15260

OEM: 17400-94L01,17400-94L00



DF25A (2014 & Up),  
DF30A (2014 & Up)

#### No. 15270

OEM: 17400-95J02



DF25V (2006-14), DF40A (2011 & Up),  
DF50A (2011 & Up), DF60A (2010 & Up)

#### No. 15280

OEM: 17400-88L01



DF25V (2006-14), DF40A (2011 & Up),  
DF50A (2011 & Up), DF60A (2010 & Up)

### Impellers / Pump Cups

### Wear Plates / Gaskets / Seal

#### No. 89373

OEM: 17461-94L00



#### No. 89628

OEM: 17461-96312



#### No. 12577

OEM: 17471-94401



#### No. 12585

OEM: 17471-94L20



#### No. 12575

OEM: 17471-95J01



#### No. 16770

OEM: 17413-94L00



#### No. 16740

OEM: 17413-95J00



#### No. 38153

OEM: 17472-94L00



#### No. 38147

OEM: 17472-96304



#### No. 86644

OEM: 17416-95J00



# Suzuki

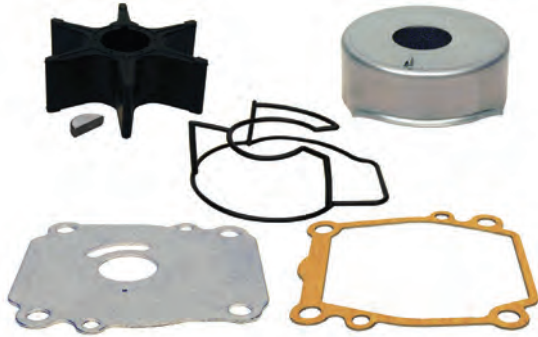
**4-STROKE**

**WATER PUMK KITS - DF50AVT, 60, 70, 70A, 80A, 90A...**

## Water Pump Service Kits

**No. 15290**

OEM: 17400-99E10



DF50AVT & DF60AVT  
(2014-2018)

**No. 15320**

OEM: 17400-87E04



DF60 & DF70  
(1998-2006)

**No. 15310**

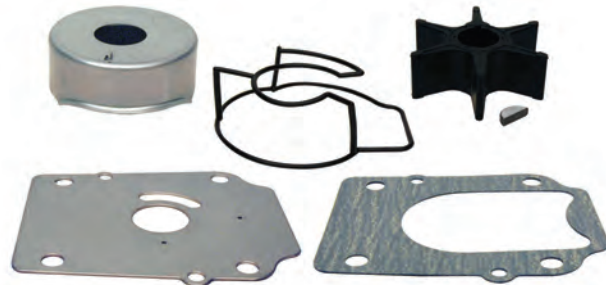
OEM: 17400-99E01



DF60 & 70  
(2007-10)

**No. 15340**

OEM 17400-87L04



DF70A (2009 & Up), DF80A (2009-11),  
DF90A (2009 & Up)

### Impeller / Pump Cup

### Wear Plates / Gaskets / Seals

**No. 89380**

OEM: 17461-87E12



**No. 12576**

OEM: 17471-99E00



**No. 12573**

OEM: 17471-92J00



**No. 12574**

OEM: 17471-87L01



**No. 86626**

OEM: 17417-99E00



**No. 16730**

OEM: 17413-99E11



**No. 38144**

OEM: 17472-87E10



**No. 38146**

OEM: 17472-87L00



**No. 86632**

OEM: 17416-99E11



**No. 86627**

OEM: 17416-99E00



# Suzuki

...DF90, 115, 115A, 140, 140A, 150/G/AP, 175, 175G, 175AP, 200A, 200AP

**4-STROKE**

## Water Pump Service Kits

### No. 15350

OEM: 17400-92J00



DF90, 115, 140  
(2006-08)

### No. 15360

OEM: 17400-90J20



DF90, 115, 140  
(2001-05)

### No. 15370

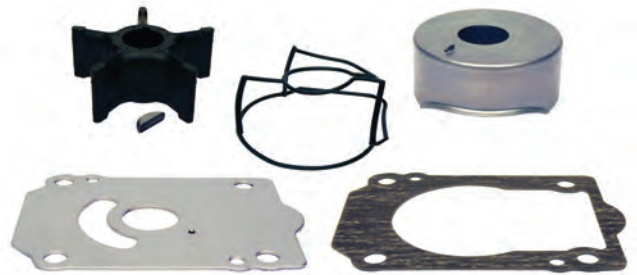
OEM: 17400-92J23



DF115, 115A, 140A, 150AP, 175AP  
(2009 & Up)

### No. 15380

OEM: 17400-96J04



DF150, 150G, 150AP, 175, 175G, 175AP, 200A, 200AP  
(2006 & Up)

### Impeller / Pump Cups

### Wear Plates / Gaskets / Seals

#### No. 89370

OEM: 17461-90J01



#### No. 12573

OEM: 17471-92J00



#### No. 38144

OEM: 17472-87E10



#### No. 12568

OEM: 17471-93J02



#### No. 38143

OEM: 17472-93J00



#### No. 16710

OEM: 17413-96J01



#### No. 16720

OEM: 17413-92J01



#### No. 86643

OEM: 17416-92J11



#### No. 86631

OEM: 17416-96J01



#### No. 86624 + No.86625

OEM: 17416-92J00 + 17417-92J00



# Suzuki

**4-STROKE**

**DF200, 225, 250, 250SS, 250AP, 300, 300AP, 350A, 350B**

## Complete Water Pump Kits

### No. 15395

OEM: 17400-93J04  
+17410-93J01



DF200, 225, 250, V6 (2004 & Up)

### No. 15415

OEM: 17400-98J03  
+17410-93J01



DF250SS, 250AP, 300, 300AP (2007 & Up)

### No. 15245

OEM: 17400-98L02  
+17410-93J01



DF350A & DF350B (All Models)

## Water Pump Service Kits

### No. 15390

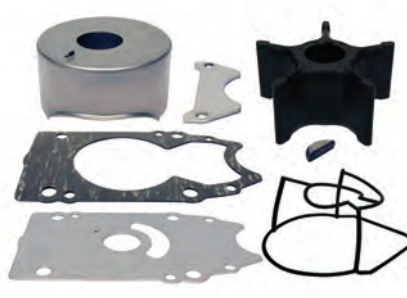
OEM: 17400-93J04



DF200, 225, 250, V6  
(2004 & Up)

### No. 15410

OEM: 17400-98J03



DF250SS, 250AP, 300, 300AP  
(2007 & Up)

### No. 15240

OEM: 17400-98L02



DF350A & DF350B  
(All Models)

## Pump Hsg / Impeller / Pump Cup

### No. 12484

OEM: 17410-93J01



### No. 86325

OEM: 17564-93J01



### No. 12568

OEM: 17471-93J02



### No. 12565

OEM: 17471-98J01



### No. 12566

OEM: 17473-98J00



### No. 12567

OEM: 17471-98L00



### No. 89360

OEM: 17461-93J00



### No. 16700

OEM: 17413-93J02



### No. 38143

OEM: 17472-93J00



### No. 38141

OEM: 17472-98J00



### No. 86623

OEM: 17416-93J01



### No. 38142

OEM: 17472-98L00



# Suzuki

| WATER PUMP KITS APPLICATIONS |           |              |             |               |               |              |          |               | 4-STROKE      |
|------------------------------|-----------|--------------|-------------|---------------|---------------|--------------|----------|---------------|---------------|
| Model / HP                   | Year(s)   | Complete Kit | Service Kit | Seal(s)       | Impeller      | Pump Housing | Pump Cup | Wear Plate(s) | Gasket(s)     |
| <b>4-Stroke</b>              |           |              |             |               |               |              |          |               |               |
| DF4                          | 2003-2016 | -            | 15210       | -             | 12316 / 89516 | -            | -        | 12586         | 38154         |
| DF4A                         | 2017-2020 | -            | 15210       | -             | 12316 / 89516 | -            | -        | 12586         | 38154         |
| DF6                          | 2003-2016 | -            | 15210       | -             | 12316 / 89516 | -            | -        | 12586         | 38154         |
| DF6A                         | 2017-2020 | -            | 15210       | -             | 12316 / 89516 | -            | -        | 12586         | 38154         |
| DF8A                         | 2010-2011 | -            | 15220       | -             | 89647         | -            | 16750    | 12582         | 38150 / 38151 |
| DF9.9                        | 1996-2006 | -            | 12152       | -             | 89647         | -            | -        | 12581         | 38152         |
| DF9.9                        | 2007-2013 | -            | 15230       | -             | 89647         | -            | -        | 12581         | 38150 / 38152 |
| DF9.9A                       | 2010-2016 | -            | 15220       | -             | 89647         | -            | 16750    | 12582         | 38150 / 38151 |
| DF9.9B                       | 2014 & Up | -            | 15220       | -             | 89647         | -            | 16750    | 12582         | 38150 / 38151 |
| DF15                         | 1996-2006 | -            | 12152       | -             | 89647         | -            | -        | 12581         | 38152         |
| DF15                         | 2007-2020 | -            | 15230       | -             | 89647         | -            | -        | 12581         | 38150 / 38152 |
| DF15A                        | 2013 & Up | -            | 15220       | -             | 89647         | -            | 16750    | 12582         | 38150 / 38151 |
| DF20A                        | 2013 & Up | -            | 15220       | -             | 89647         | -            | 16750    | 12582         | 38150 / 38151 |
| DF25                         | 2000-2006 | -            | 15250       | -             | 89628         | -            | -        | 12577         | 38147         |
| DF25A                        | 2014 & Up | -            | 15260       | -             | 89373         | -            | 16770    | 12585         | 38153         |
| DF25V                        | 2006-2014 | -            | 15270       | 86644         | 89628         | -            | -        | 12575         | 38147         |
| DF25V                        | 2006-2014 | -            | 15280       | 86644         | 89628         | -            | 16740    | 12575         | 38147         |
| DF30                         | 2000-2007 | -            | 15250       | -             | 89628         | -            | -        | 12577         | 38147         |
| DF30A                        | 2014 & Up | -            | 15260       | -             | 89373         | -            | 16770    | 12585         | 38153         |
| DF40                         | 1999-2010 | -            | 15250       | -             | 89628         | -            | -        | 12577         | 38147         |
| DF40A                        | 2011 & Up | -            | 15270       | 86644         | 89628         | -            | -        | 12575         | 38147         |
| DF40A                        | 2011 & Up | -            | 15280       | 86644         | 89628         | -            | 16740    | 12575         | 38147         |
| DF50                         | 1999-2010 | -            | 15250       | -             | 89628         | -            | -        | 12577         | 38147         |
| DF50A                        | 2011 & Up | -            | 15270       | 86644         | 89628         | -            | -        | 12575         | 38147         |
| DF50A                        | 2011 & Up | -            | 15280       | 86644         | 89628         | -            | 16740    | 12575         | 38147         |
| DF50AVT                      | 2014-2018 | -            | 15290       | 86632         | 89380         | -            | 16730    | 12576         | 38144         |
| DF60                         | 1998-2006 | -            | 15320       | -             | 89380         | -            | -        | 12573         | 38144         |
| DF60                         | 2007-2010 | -            | 15310       | 86626 / 86677 | 89380         | -            | 16730    | 12576         | 38144         |
| DF60A                        | 2010 & Up | -            | 15270       | 86644         | 89628         | -            | -        | 12575         | 38147         |
| DF60A                        | 2010 & Up | -            | 15280       | 86644         | 89628         | -            | 16740    | 12575         | 38147         |
| DF60AVT                      | 2014-2018 | -            | 15290       | 86632         | 89380         | -            | 16730    | 12576         | 38144         |
| DF70                         | 1998-2006 | -            | 15320       | -             | 89380         | -            | -        | 12573         | 38144         |
| DF70                         | 2007-2010 | -            | 15310       | 86626 / 86677 | 89380         | -            | 16730    | 12576         | 38144         |
| DF70A                        | 2009 & Up | -            | 15340       | 86632         | 89380         | -            | 16730    | 12574         | 38146         |
| DF80A                        | 2009-2011 | -            | 15340       | 86632         | 89380         | -            | 16730    | 12574         | 38146         |
| DF90                         | 2001-2005 | -            | 15360       | -             | 89370         | -            | -        | 12573         | 38144         |
| DF90                         | 2006-2008 | -            | 15350       | 86624 / 86625 | 89370         | -            | 16720    | 12573         | 38144         |
| DF90A                        | 2009 & Up | -            | 15340       | 86632         | 89380         | -            | 16730    | 12574         | 38146         |

# Suzuki

## 4-STROKE

## WATER PUMP KITS APPLICATIONS

| Model / HP      | Year(s)   | Complete Kit | Service Kit | Seal(s)       | Impeller | Pump Housing | Pump Cup | Wear Plate(s) | Gasket(s) |
|-----------------|-----------|--------------|-------------|---------------|----------|--------------|----------|---------------|-----------|
| <b>4-Stroke</b> |           |              |             |               |          |              |          |               |           |
| DF115           | 2001-2005 | -            | 15360       | -             | 89370    | -            | -        | 12573         | 38144     |
| DF115           | 2006-2008 | -            | 15350       | 86624 / 86625 | 89370    | -            | 16720    | 12573         | 38144     |
| DF115           | 2009 & Up | -            | 15370       | 86643         | 89370    | -            | 16720    | 12573         | 38144     |
| DF115A          | 2009 & Up | -            | 15370       | 86643         | 89370    | -            | 16720    | 12573         | 38144     |
| DF140           | 2001-2005 | -            | 15360       | -             | 89370    | -            | -        | 12573         | 38144     |
| DF140           | 2006-2008 | -            | 15350       | 86624 / 86625 | 89370    | -            | 16720    | 12573         | 38144     |
| DF140A          | 2009 & Up | -            | 15370       | 86643         | 89370    | -            | 16720    | 12573         | 38144     |
| DF150           | 2006 & Up | -            | 15380       | 86631         | 89370    | -            | 16710    | 12568         | 38143     |
| DF150AP         | 2006 & Up | -            | 15380       | 86631         | 89370    | -            | 16710    | 12568         | 38143     |
| DF150AP         | 2009 & Up | -            | 15370       | 86643         | 89370    | -            | 16720    | 12573         | 38144     |
| DF150G          | 2006 & Up | -            | 15380       | 86631         | 89370    | -            | 16710    | 12568         | 38143     |
| DF175           | 2006 & Up | -            | 15380       | 86631         | 89370    | -            | 16710    | 12568         | 38143     |
| DF175AP         | 2006 & Up | -            | 15380       | 86631         | 89370    | -            | 16710    | 12568         | 38143     |
| DF175AP         | 2009 & Up | -            | 15370       | 86643         | 89370    | -            | 16720    | 12573         | 38144     |
| DF175G          | 2006 & Up | -            | 15380       | 86631         | 89370    | -            | 16710    | 12568         | 38143     |
| DF200, V6       | 2004 & Up | 15395        | 15390       | 86623         | 89360    | 12484        | 16700    | 12568         | 38143     |
| DF200A          | 2006 & Up | -            | 15380       | 86631         | 89370    | -            | 16710    | 12568         | 38143     |
| DF200AP         | 2006 & Up | -            | 15380       | 86631         | 89370    | -            | 16710    | 12568         | 38143     |
| DF225, V6       | 2004 & Up | 15395        | 15390       | 86623         | 89360    | 12484        | 16700    | 12568         | 38143     |
| DF250, V6       | 2004 & Up | 15395        | 15390       | 86623         | 89360    | 12484        | 16700    | 12568         | 38143     |
| DF250AP         | 2007 & Up | 15415        | 15410       | 86623         | 89360    | 12484        | 16700    | 12565 / 12566 | 38141     |
| DF250SS         | 2007 & Up | 15415        | 15410       | 86623         | 89360    | 12484        | 16700    | 12565 / 12566 | 38141     |
| DF300           | 2007 & Up | 15415        | 15410       | 86623         | 89360    | 12484        | 16700    | 12565 / 12566 | 38141     |
| DF300A          | 2007 & Up | 15415        | 15410       | 86623         | 89360    | 12484        | 16700    | 12565 / 12566 | 38141     |
| DF350A          | All       | 15245        | 15240       | 86623         | 89360    | 12484        | 16700    | 12567         | 38142     |
| DF350B          | All       | 15245        | 15240       | 86623         | 89360    | 12484        | 16700    | 12567         | 38142     |
|                 |           |              |             |               |          |              |          |               |           |
|                 |           |              |             |               |          |              |          |               |           |
|                 |           |              |             |               |          |              |          |               |           |
|                 |           |              |             |               |          |              |          |               |           |
|                 |           |              |             |               |          |              |          |               |           |
|                 |           |              |             |               |          |              |          |               |           |
|                 |           |              |             |               |          |              |          |               |           |
|                 |           |              |             |               |          |              |          |               |           |
|                 |           |              |             |               |          |              |          |               |           |
|                 |           |              |             |               |          |              |          |               |           |
|                 |           |              |             |               |          |              |          |               |           |
|                 |           |              |             |               |          |              |          |               |           |
|                 |           |              |             |               |          |              |          |               |           |
|                 |           |              |             |               |          |              |          |               |           |
|                 |           |              |             |               |          |              |          |               |           |
|                 |           |              |             |               |          |              |          |               |           |





# Suzuki

WATER PUMP KITS - DT4, 5, 6, 8, 8C, 9.9, 9.9C, 15, 15C, 20, 25, 30, 35, 40C

2-STROKE

## Water Pump Service Kits

### No. 15450

OEM: 17400-98652



DT4 (1984-98) & DT5 (1989-02)

### No. 15460

OEM: 17400-98551



DT6 (1984-02) & DT8 (1986-87)

### No. 15470

OEM: 17400-92D01



DT8C (1988-97) & DT9.9C (1988-97)

### No. 12152

OEM: 17400-93951



DT9.9 (1985-87), DT15 (1989-97),  
DT15C (1989-97)

### No. 15250

OEM: 17400-96353



DT20 (1986-88), DT25 (1984-88), DT25/30 (2000-07)  
DT30 (1984-87), DT35/40C (1983-98)

**GLM**  
www.glmmarine.com

# Suzuki

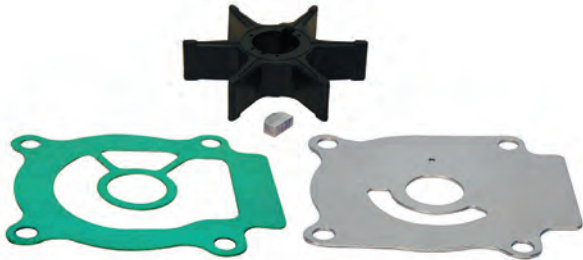
**2-STROKE**

**DT25C, 30C, 55, 65, 75, 85, 90, 100, 115, 140, 150, 175, 200, 225**

## Water Pump Service Kits

**No. 15480**

OEM: 17400-96404



DT25C (1989-00) & DT30C (1988-97)

**No. 15490**

OEM: 17400-94701



DT55 (1985-97) & DT65 (1985-97)

**No. 15491**

OEM: 17400-95351



DT75 (1985-00) & DT85 (1985-00)

**No. 15320**

OEM: 17400-87E04



DT90 (1998-06) & DT100 (1998-06)

**No. 15493**

OEM: 17400-94611



DT115 (1986-01) & DT140 (1986-01)

**No. 15494**

OEM: 17400-87D11



DT150 (1986-03), DT175 (1987-92),  
DT200 (1986-00), DT225 (1990-03)



# Suzuki

## 4-STROKE

## THERMOSTATS

|   |       |   |   |  |  |   |   |                     |
|---|-------|---|---|--|--|---|---|---------------------|
| <b>No. 13011</b><br>OEM: 17670-90J01,<br>17670-90J00<br> | 60° C | <b>No. 13320</b><br>OEM: 17670-90J21,<br>17670-90J20<br> | 50° C   | <b>No. 13033</b><br>OEM: 17670-90J11,<br>17670-90J10<br> | 71° C<br><b>NEW</b>  | <b>No. 13016</b><br>OEM: 17670-93964,<br>17670-93963,<br>17670-93962<br> | 50° C<br><b>NEW</b>   |                     |
| <b>No. 13017</b><br>OEM: 17670-94404,<br>17670-94403<br> |       | 60° C<br><b>NEW</b>   | <b>No. 13035</b><br>OEM: 17670-94J02,<br>17670-94J01<br> | 60° C<br><b>NEW</b>  | <b>No. 13036</b><br>OEM: 17670-91J02,<br>17670-91J01<br> | 50° C<br><b>NEW</b>   | <b>No. 13034</b><br>OEM: 17670-87J01,<br>17670-87J00<br> | 72° C<br><b>NEW</b> |

## 4-STROKE

## THERMOSTATS APPLICATIONS

| Model       | Year(s)   | GLM (Standard)    | GLM (Option) | Model   | Year(s)   | GLM (Standard) | GLM (Option) |
|-------------|-----------|-------------------|--------------|---------|-----------|----------------|--------------|
| DF9.9       | 1996-2004 | 13017             | -            | DF115A  | 2013-2020 | 13320 (s)      | 13033 (o)    |
|             | 2005-2013 | 13035             | -            | DF140   | 2002-2012 | 13011 (s)      | 13033 (o)    |
| DF9.9A      | 2010-2016 | 13035             | -            | DF140A  | 2013-2020 | 13320 (s)      | 13033 (o)    |
| DF9.9B      | 2014-2021 | 13036             | -            | DF150   | 2006-2011 | 13011 (s)      | 13033 (o)    |
| DF15        | 1996-2004 | 13017             | -            |         | 2012-2018 | 13320 (s)      | 13033 (o)    |
|             | 2005-2012 | 13035             | -            | DF150A  | 2019-2020 | 13320 (s)      | 13033 (o)    |
| DF15A       | 2013-2021 | 13036             | -            | DF150AP | 2017-2020 | 13320 (s)      | 13033 (o)    |
| DF20A       | 2013-2020 | 13036             | -            | DF150AS | 2020      | 13320 (s)      | 13033 (o)    |
| DF25        | 2000-2006 | 13017             | -            | DF175   | 2006-2011 | 13011 (s)      | 13033 (o)    |
| DF25 V-Twin | 2006-2014 | 13035             | -            |         | 2012-2018 | 13320 (s)      | 13033 (o)    |
| DF25A       | 2015-2020 | 13035             | -            | DF175A  | 2019-2020 | 13320 (s)      | 13033 (o)    |
| DF30        | 2000-2007 | 13017             | -            | DF175AP | 2017-2020 | 13320 (s)      | 13033 (o)    |
| DF30A       | 2015-2020 | 13035             | -            | DF200   | 2004-2014 | 13011 (s)      | 13033 (o)    |
| DF40        | 1999      | 13016 (s)         | 13017 (o)    | DF200A  | 2015-2020 | 13320 (s)      | 13033 (o)    |
|             | 2000-2010 | 13016 (s)         | 13034 (o)    | DF200AP | 2015-2020 | 13320 (s)      | 13033 (o)    |
| DF40A       | 2011-2020 | N/A (17670-93955) | -            | DF200AS | 2020      | 13320 (s)      | 13033 (o)    |
| DF50        | 1999      | 13016 (s)         | 13017 (o)    | DF225   | 2004-2020 | 13011 (s)      | 13033 (o)    |
|             | 2000-2010 | 13016 (s)         | 13034 (o)    | DF250   | 2004-2020 | 13011 (s)      | 13033 (o)    |
| DF50A       | 2011-2020 | N/A (17670-93955) | -            | DF250AP | 2013-2020 | 13320 (s)      | 13033 (o)    |
| DF60        | 1998-1999 | 13016 (s)         | 13017 (o)    | DF300   | 2007-2011 | 13011 (s)      | 13033 (o)    |
|             | 2000-2009 | 13017 (s)         | 13034 (o)    | DF300AP | 2012-2020 | 13320 (s)      | 13033 (o)    |
| DF60A       | 2010-2020 | N/A (17670-93955) | -            | DF300B  | 2020      | N/A            | -            |
| DF70        | 1998-1999 | 13016 (s)         | 13017 (o)    | DF350   | 2018-2020 | N/A            | -            |
|             | 2000-2008 | 13017 (s)         | 13034 (o)    |         |           |                |              |
| DF70A       | 2009-2020 | 13011 (s)         | 13033 (o)    |         |           |                |              |
| DF80A       | 2009-2011 | 13011 (s)         | 13033 (o)    |         |           |                |              |
| DF90        | 2001-2008 | 13011 (s)         | 13033 (o)    |         |           |                |              |
| DF90A       | 2009-2020 | 13011 (s)         | 13033 (o)    |         |           |                |              |
| DF100       | 2009-2011 | 13011 (s)         | 13033 (o)    |         |           |                |              |
| DF115       | 2001-2012 | 13011 (s)         | 13033 (o)    |         |           |                |              |

# **Section 4**

---

## **Suzuki**

### **Fuel System**

*Water Separating Fuel Filter Kits with Collection Bowls* ..... 78  
*Water Separating Fuel Filter Mounting Brackets* ..... 78

# Suzuki

## WATER SEPARATING FUEL FILTER KITS WITH COLLECTION BOWLS

### No. 25210

OEM: Racor 320R-RAC-01

Aluminum Bracket w/  
Clear Collection Bowl

For Outboard use only  
ABOVE deck installations

ø 1/4" NPTF Ports  
Flow: 60 GPH  
w/ 2 brass plugs No. 21887



10  
Micron



### No. 25220

OEM: 99105-20005-ASY

Aluminum Bracket w/  
Clear Collection Bowl

For Outboard use only  
ABOVE deck installations

ø 3/8" NPTF Ports  
Flow: 60 GPH  
w/ 2 brass plugs No. 21884



10  
Micron



### No. 25230

OEM: N/A

Stainless Steel Bracket  
w/ Clear Collection Bowl

For Outboard use only  
ABOVE deck installations

ø 1/4" NPTF Ports  
Flow: 60 GPH  
w/ 2 brass plugs No. 21887



10  
Micron



### No. 25240

OEM: N/A

Stainless Steel Bracket  
w/ Clear Collection Bowl

For Outboard use only  
ABOVE deck installations

ø 3/8" NPTF Ports  
Flow: 60 GPH  
w/ 2 brass plugs No. 21884



10  
Micron



### No. 25250

OEM: N/A

Fuel Filter Element  
w/ Clear Collection Bowl

For Outboard use only  
ABOVE deck installations

Replacement Filter for:  
No. 25210, 25220, 25230, 25240



10  
Micron

Center  
Threads  
11/16-16  
60 GPH

### No. 25200

OEM: 99105-20005

Fuel Filter Element with  
Viton O-ring No. 82366



10  
Micron

Center  
Threads  
11/16-16

### No. 25000

OEM: 89876A3

Die Cast Aluminum  
Fuel Filter Bracket

ø 1/4" NPTF Ports  
(2 inputs & 2 outputs)  
w/ 2 brass plugs No. 21887



### No. 25005

OEM: 99105-20004-BWL-SUZUKI

Clear Collection Bowl

For Outboard use only  
ABOVE deck installations



### No. 25020

OEM: 8M0095674

Die Cast Aluminum  
Fuel Filter Bracket

ø 3/8" NPTF Ports  
(2 inputs & 2 outputs)  
w/ 2 brass plugs No. 21884



### No. 25010

OEM: N/A

316 Stainless Steel  
Fuel Filter Bracket

ø 1/4" NPTF Ports  
(2 inputs & 2 outputs)  
w/ 2 brass plugs No. 21887



### No. 25030

OEM: N/A

316 Stainless Steel  
Fuel Filter Bracket

ø 3/8" NPTF Ports  
(2 inputs & 2 outputs)  
w/ 2 brass plugs No. 21884





## Limited Warranty of GLM Products, Inc.

1. This product of GLM Products, Inc. ("GLM") is warranted to be free from defects in material and workmanship for a period of two years from the date of purchase for aluminum elbow/manifold and all other GLM parts and accessories, three years from the date of purchase for cast iron elbow/manifold. Products used for commercial, rental, or income producing activity are warranted for a period of ninety (90) days. Only a person who has proof of purchase of the GLM product will receive warranty service.
2. GLM does not warrant or make any representations in respect to installation errors made by a servicing dealer, servicing mechanic, or the individual. This warranty applies to defects in material and workmanship only, it does not apply to the following: alteration, removal of parts, adjustments, tune-ups, normal wear, rusting, damages due to accident, improper installation or service, misuse, neglect, lack of maintenance, use of any accessory or part not manufactured or sold by GLM, operation with fuels, oils, or lubricants which are not suitable for use with the product, water entering engine cylinder through exhaust system or carburetor, participation in or preparing for racing or other competitive activity or operating with a racing type lower unit. GLM's liability under this warranty shall be terminated on any part damaged by flood, fire, storm, or other natural acts or where the model number and other identification has been altered, defaced or removed.
3. GLM will not be liable for any labor charges and incidental, consequential (such as loss of business), special or indirect damages resulting from the product or caused by the defect or reasonable delay in correcting the defect are not covered under the warranty.
4. GLM reserves the right to inspect and determine whether or not any part has failed due to a defect in material or workmanship. **Do not disassemble any parts including drive units that have been assembled by GLM. GLM's obligation shall be limited to repairing, replacing or crediting the product determined to be defective, at GLM's sole discretion:** GLM reserves the right to credit refund your purchase price for the product rather than repair or replace the product, or any part thereof. Any part is covered only for the original warranty period. Once the warranty on the product has expired, the warranty on any replaced or repaired part also expires. GLM shall be allowed to keep parts it deems defective under this warranty.
5. **ALL WARRANTIES BY AND FROM GLM, EXPRESS OR IMPLIED, INCLUDING WITHOUT LIMITATION IMPLIED WARRANTIES OF MERCHANTABILITY AND FITNESS FOR A PARTICULAR PURPOSE, ARE LIMITED IN DURATION TO THE DURATION OF THIS WARRANTY FOR THE PRODUCT INVOLVED. GLM DOES NOT WARRANT, GUARANTEE OR MAKE ANY REPRESENTATIONS REGARDING THE USE OR THE RESULTS OF THE USE OF THE PRODUCT IN TERMS OF ITS CORRECTNESS, RELIABILITY OR OTHERWISE. THE ENTIRE RISK AS TO THE RESULT AND PERFORMANCE OF THE PRODUCT IS ASSUMED BY YOU. IN NO EVENT WILL GLM, OR ITS RESPECTIVE DIRECTORS, OFFICERS, EMPLOYEES OR AGENTS (COLLECTIVELY, "GLM") BE LIABLE TO YOU FOR ANY CONSEQUENTIAL, INCIDENTAL, SPECIAL OR INDIRECT DAMAGES (INCLUDING DAMAGES FOR LOSS OF BUSINESS PROFITS, BUSINESS INTERRUPTION, LOSS OF BUSINESS INFORMATION AND THE LIKE) ARISING OUT OF THE USE OR INABILITY TO USE THE PRODUCT.** GLM's liability to you for actual damages from any cause whatsoever, and regardless of the form of the action (whether in contract, tort (including negligence), product liability or otherwise), will be limited to the purchase price paid for the product. No GLM dealer, agent or employee is authorized to make any modification or extension to this warranty. Because some states do not allow the exclusion of implied warranties and/or the exclusion or limitation of liability for consequential or incidental damages, the above limitations may not apply to you. This warranty gives you specific legal rights, and you may have other rights which vary from state to state.
6. You are required to notify GLM of any defect within the applicable warranty period and immediately obtain from GLM or its distributor a warranty application and a GLM RGA number. Upon GLM's receipt of the completed warranty application and part claimed under this warranty (with the GLM RGA number marked on the shipping and packaging of the part), GLM will inspect the part for warranty coverage. Only when the defect is covered by the warranty will the part be repaired or replaced, at GLM's sole option. If warranty service is required, you must deliver your product, at your expense, with proof-of-purchase (including original purchase invoice and invoice for installation of warranted part) to GLM for repair. Service is provided by GLM at its corporate headquarters at 705 Los Angeles Avenue, Monrovia, California 91016, Tel: (626) 357-0077, Fax: (626) 357-0600. When repair is completed, GLM will ship back to its indicated address. Shipping methods will be determined by GLM.
7. This warranty comprises the sole and entire warranty pertaining to the product furnished to you by GLM, and GLM makes no other warranty, guarantee or representation of any kind whatsoever pertaining to the product. Any other representations, or promises by any person are unauthorized and are not binding upon GLM unless in writing.



# Warranty Service Procedure

- 1) GLM will directly and promptly approve and honor legitimate warranty claims on products only under the condition that the claim is made through a servicing Dealer.  
**\*\*Do not disassemble any parts including drive units that have been assembled by GLM.\*\***
- 2) GLM will credit or reimburse the Dealer for qualified warranty claims submitted that comply to GLM identified warranty policies.

ANY CLAIM UNDER GLM'S WARRANTY (Please see Limited Warranty of GLM Products) SHALL BE IN WRITING TO GLM PRODUCTS, INC. WITHIN THE WARRANTY PERIOD. TO ASSURE FAST AND EFFICIENT SERVICE PLEASE SHIP ALL WARRANTY PART(S) AND DOCUMENTATION DIRECTLY TO GLM. ALL WARRANTY CLAIM PRODUCTS MUST BE SHIPPED FREIGHT PREPAID TO GLM FOR WARRANTY INSPECTION. (FREIGHT CHARGES WILL BE REIMBURSED ONLY UPON APPROVAL ON WARRANTY).

- 1) All returns must have a GLM "RGA#" assigned (contact GLM directly for the "Returned Goods Authorization #"). Packages or boxes without your assigned RGA# on the outside and on all related submitted documents will be refused. No returns will be accepted without a RGA#.
- 2) All returns must include a copy of the completed warranty application. (Application is available at [www.glimmarine.com](http://www.glimmarine.com), on the back of each GLM's catalog or through your GLM distributor.)
- 3) **ALL** parts involved in the claim.
- 4) Copy of invoices as follows:
  - Original purchase invoice from dealer.
  - Original invoice for installation of warranted parts.
  - Proposed invoice/work-order to GLM, if any, for warranty claim.

NOTE: GLM complies with OEM standard flat hours and rates.  
Copies of all invoices for items in above proposed invoice.

**Send parcel(s) to: GLM Products, Inc. – Warranty**  
**705 Los Angeles Avenue**  
**Monrovia, CA 91016 USA**  
**RGA#**



# GLM Products, Inc. Warranty Claim Application

**Note:** Please fill out all information and send all requested material. Failure to complete this form and supply all requested material will delay your claim. **Do not disassemble units that were assembled by GLM.** Other applications that used only GLM parts should have just the parts returned to GLM not the complete unit.

**RGA #** \_\_\_\_\_ **Contact GLM at 626/357-0077 for a Returned Goods Authorization #.** All returned goods **must** have an RGA # marked on package (s) or they will be refused. No exceptions. **Ship to: GLM Products, Inc.**  
**Date Called:** \_\_\_\_\_ **705 Los Angeles Avenue**  
**Caller Name:** \_\_\_\_\_ **Monrovia, CA 91016**  
**Company Name:** \_\_\_\_\_

**Distributor Information:**

**Company:** \_\_\_\_\_ **Contact:** \_\_\_\_\_ **City:** \_\_\_\_\_ **State:** \_\_\_\_\_

**Dealer Information:**

**Company:** \_\_\_\_\_ **Address:** \_\_\_\_\_ **City:** \_\_\_\_\_  
**State:** \_\_\_\_\_ **Zip:** \_\_\_\_\_ **Tel:** \_\_\_\_\_ **Fax:** \_\_\_\_\_ **Contact:** \_\_\_\_\_

**Dealer Customer Information:**

**Name:** \_\_\_\_\_ **Address:** \_\_\_\_\_ **City:** \_\_\_\_\_  
**State:** \_\_\_\_\_ **Zip:** \_\_\_\_\_ **Tel:** \_\_\_\_\_ **Fax:** \_\_\_\_\_

**Application Details:**

**Manufacturer:** \_\_\_\_\_ **Model:** \_\_\_\_\_ **Year:** \_\_\_\_\_  
**Length:** \_\_\_\_\_ **Beam:** \_\_\_\_\_ **Engine / Drive:** \_\_\_\_\_ **Horse Power:** \_\_\_\_\_

List any modifications to boat or drive system that were not installed by the original manufacturer:

\_\_\_\_\_

\_\_\_\_\_

\_\_\_\_\_

\_\_\_\_\_

\_\_\_\_\_

\_\_\_\_\_

\_\_\_\_\_

\_\_\_\_\_

\_\_\_\_\_

**Details of Return:** Please list all item (s) being returned and describe detailed reason for warranty claim.

If you need more space for this description please continue on a blank sheet of paper.

**Documentation and other items required to process warranty:** Please make sure that all items listed are sent with this application. Failure to do so will delay processing this claim.

1. All parts claimed and listed on this application. This is **all parts** being claimed regardless of manufacturer.
2. Copy of invoices as follows:
  - A. Original purchase invoice from Distributor.
  - B. Proposed invoice to GLM from the Dealer for repairs.
  - C. Invoice for installation of warranted parts.
  - D. Invoices for any other items being claimed

**Note:** GLM reserves the right to credit the Dealer, via the Distributor, for all GLM products involved in this claim.



# Superior Marine Manifolds

## Conversion Kits

100% Complete



Gaskets & Hardware Included

MerCruiser V6

MerCruiser V8

OMC GM V6

OMC Ford V8

OMC Ford V8

OMC Ford V8

OMC Ford V8

OMC Ford V8

OMC Ford V8

OMC Ford V8

## Wet Joint Manifold Kits

100% Complete



Gaskets & Hardware Included

MerCruiser 4-Cyl.

MerCruiser GM V6

MerCruiser GM V8

OMC / Volvo 4-Cyl.

OMC / Volvo GM V6

OMC / Volvo GM V8

OMC / Volvo Ford V8

Barr / Indmarr Ford V8

## Dry Joint Alternative

Manifold-Elbow Sets



Gaskets & Hardware Included

Replaces your whole dry joint exhaust system!

MerCruiser V6

MerCruiser V8

MerCruiser V8

MerCruiser V8

MerCruiser V8

MerCruiser V8

MerCruiser V8

MerCruiser V8

MerCruiser V8

MerCruiser V8

## Exhaust Manifolds

4-Cyl. Log Style



Gaskets Included

MerCruiser 120

MerCruiser 140

MerCruiser 3.0 L

MerCruiser 3.0 LX

OMC 3.0 / 3.0 H.O.

Volvo 3.0 GS

## Exhaust Elbows

Standard



MerCruiser 3 Inch  
MerCruiser 4 Inch  
MerCruiser 7° Dry  
MerCruiser 14° Dry  
OMC 3 Inch  
Volvo 3 Inch V6  
Volvo 3 Inch V8 S.B.  
OMC / Volvo (Carb.)  
OMC / Volvo (EFI)  
OMC 3.0 / 3.0 H.O.  
Volvo 3.0 GS  
Barr GM & Ford V8

## Exhaust Manifolds

V6 thru V8 B.B.



Gaskets Included

MerCruiser Wet

MerCruiser Dry

Volvo Penta

OMC

## Dry Joint Manifold Kits

100% Complete



Gaskets & Hardware Included

7° Elbows:

MerCruiser GM V6

MerCruiser GM V8 S.B.

14° Elbows:

MerCruiser GM V6

MerCruiser GM V8 S.B.

## Exhaust Elbows

Hi-Rise



Volvo Penta V6  
Volvo Penta V8 S.B.  
OMC V6  
OMC V8 S.B.  
OMC / Volvo Penta  
V8 B.B.  
OMC / Volvo Penta  
V8 Ford

## 460 Adapter Kits

Ford Engine to GM Manifolds



MerCruiser V8 B.B.

OMC V8 B.B.

Volvo Penta V8 B.B.

FORD 460

FORD 460

FORD 460

FORD 460

FORD 460

FORD 460

FORD 460

FORD 460

FORD 460

FORD 460

FORD 460

FORD 460

FORD 460

FORD 460

FORD 460

FORD 460

FORD 460

FORD 460

FORD 460

FORD 460

FORD 460

FORD 460

## Spacer Kits

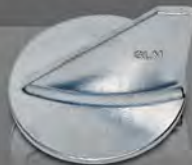
Wet, Dry & D.J. Alternative



Gaskets & Hardware Included

MerCruiser 3" - Wet  
MerCruiser 6" - Wet  
MerCruiser 3" - Alt.  
MerCruiser 1.7" - Dry  
MerCruiser 3" - Dry

Over 4,000 Aftermarket Marine Parts



www.glmmarine.com



[www.glmmarine.com](http://www.glmmarine.com)

For Current Catalogs & Updates

On-line Catalog Series - Mobile - Tablet - Desktop



**Master**  
(Print Version)



**Manifolds**



**MerCruiser**



**Mercury/Mariner/Force**



**OMC/Volvo Penta**



**Johnson/Evinrude**



**Yamaha**



**SUZUKI**



**Anodes**



Digital Version:  
GSU24V1

GLM Products, Inc.  
705 Los Angeles Ave., Monrovia, CA 91016  
Tel (626) 357-0077, Fax (626) 357-0600  
info@glmmarine.com