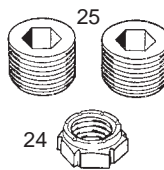
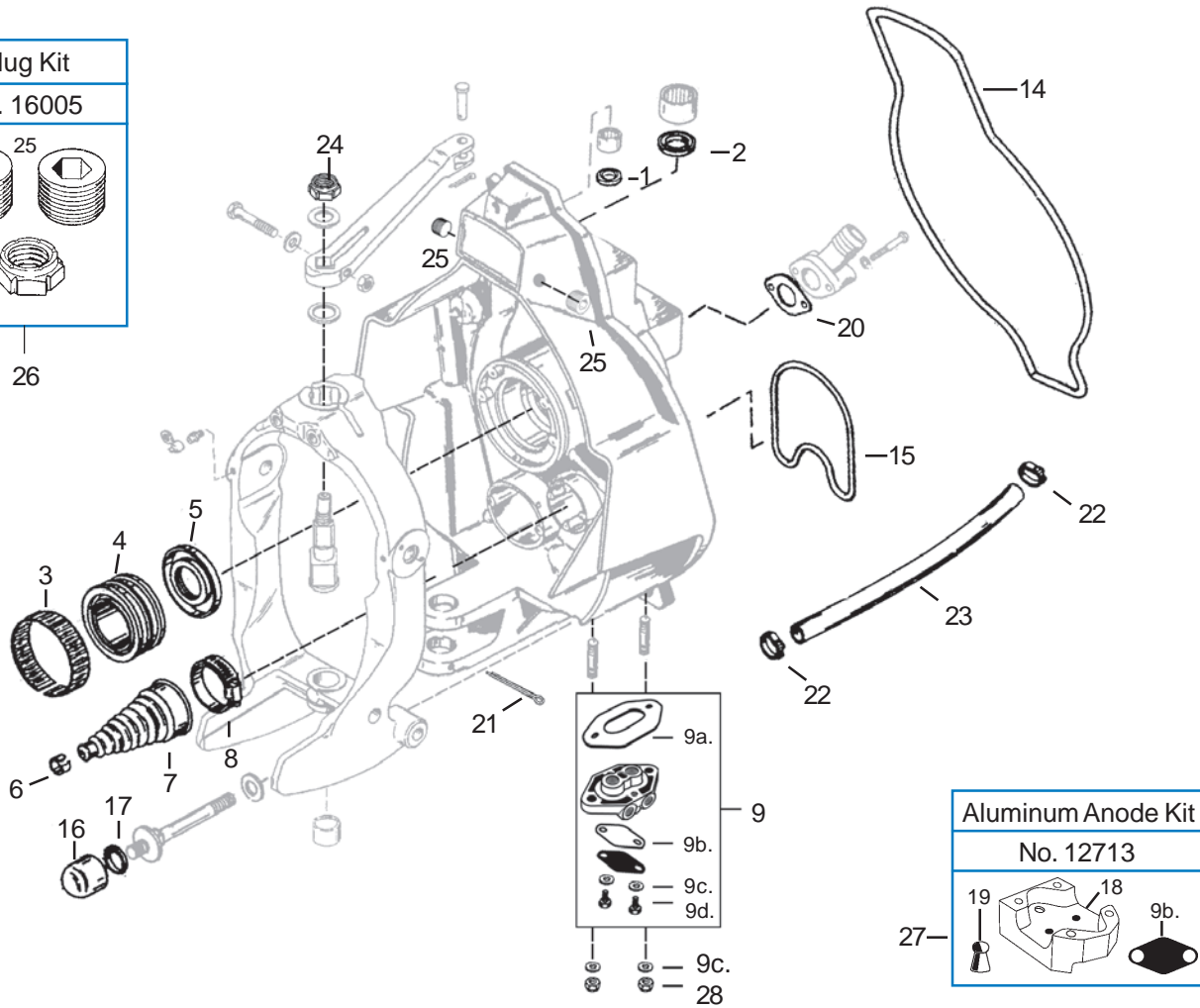


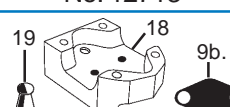
MerCruiser

GIMBAL HOUSING w/ RING - MC-1 / R / MR / ALPHA ONE / ALPHA ONE GEN II

Plug Kit
No. 16005

Aluminum Anode Kit
No. 12713



GLM	Ref No.	OEM	Description	GLM	Ref No.	OEM	Description
85420	1	26-54925	Oil Seal	22440	9d.+	10-28636	Screw
85440	2	26-32911	Oil Seal	86712	14	65533A1	Transom Seal (MC-1 / R / MR / Alpha One)
21851	3	61075	Tolerance Ring	86711	14	43713	Transom Seal (Alpha One Gen II)
21906	4	30-879194A01, 30-879194A02, 30-862540A3, 30-60794A4	Gimbal Bearing (New Maintenance Free!) Includes No. 21851 & 85910	82460	15	41802	Seal
85910	5	26-88416	Oil Seal	12700	16	55989Q9	Anode
21790	6	54-38863	Clamp	30355	17	12-56085	Gasket
89080	7	74639A2	Bellow	12713	18•	821631Q1	Anode
21791	8	54-31766	Clamp	85656	19•	12077	Seal
21970	9	98825A4	Trim Connector Kit	33000	20	27-44108-1	Gasket
32500	9a.+	27-98823-1	Gasket	22147	21	18-54929	Cotter Pin
32160	9b.♦+	27-99506-1	Gasket, Cover	01071	22	912627	Clamp
05009	9c.+	13-78968	Lockwasher	47110	23	32-41725-33	Water Hose 3/4" O.D.
				47120	23	32-32461	Water Hose 5/8" O.D.
				21164	24♦	11-25599	Locknut
				12967	25♦	22-88847	Plug
				16005	26	22-88847A1	Plug Kit
				12713	27	821631Q1	Aluminum Anode Kit
				21180	28	11-826711-9	Locknut

• Included in Kit No. 12713

+ Included in Kit No. 21970

♦ Included in Kit No. 16005

