

# OMC

## V6 & V8 S.B. EXHAUST MANIFOLD DIMENSIONS

### V6 (1986 & Up)

**No. 51330**

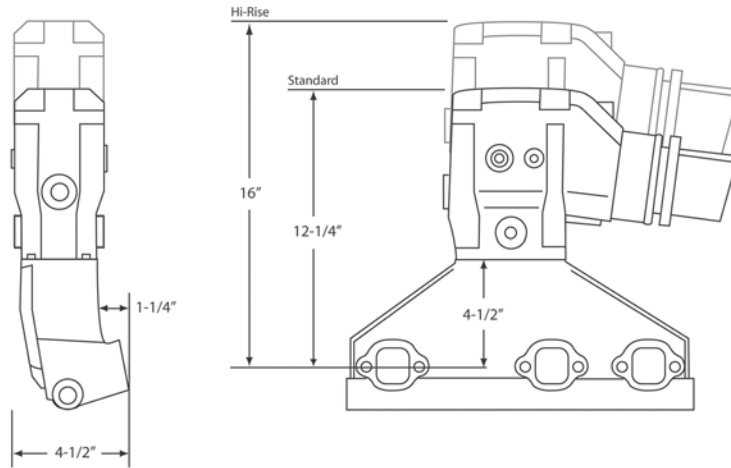
EXHAUST ELBOW (Standard)  
OEM: 3857944

**No. 51337**

EXHAUST ELBOW (Hi-Rise)  
OEM: 3862627

**No. 51480**

EXHAUST MANIFOLD  
OEM: 3857656



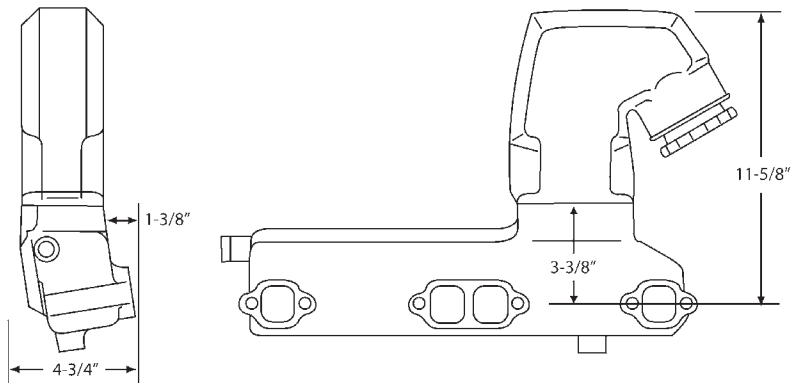
### V8 S.B. (1979-88)

**No. 51320**

EXHAUST ELBOW  
OEM: 909863

**No. 51410**

EXHAUST MANIFOLD  
OEM: 912441



### V8 S.B. (1989 & Up)

**No. 51330**

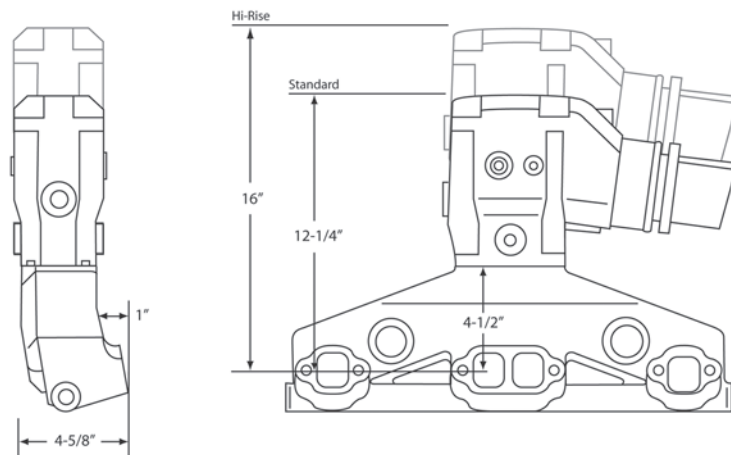
EXHAUST ELBOW (Standard)  
OEM: 3857944

**No. 51337**

EXHAUST ELBOW (Hi-Rise)  
OEM: 3862627

**No. 51430**

EXHAUST MANIFOLD  
OEM: 3857723



# OMC

## V8 S.B. & V8 B.B. EXHAUST MANIFOLD DIMENSIONS

### V8 S.B. (1991 & Up)

#### No. 51330

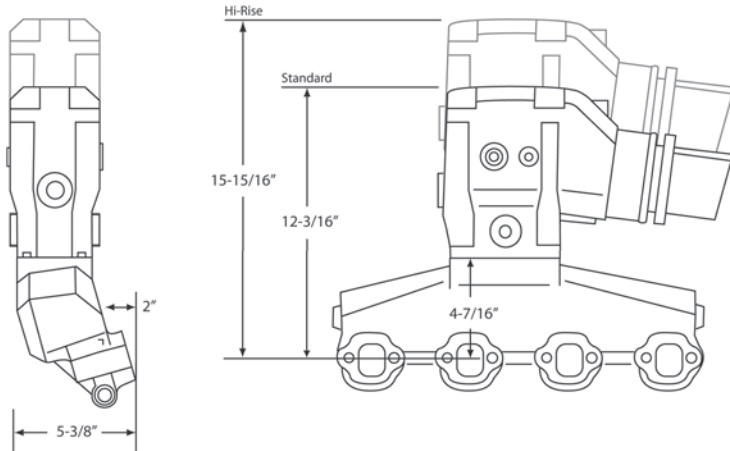
EXHAUST ELBOW (Standard)  
OEM: 3857944

#### No. 51337

EXHAUST ELBOW (Hi-Rise)  
OEM: 3862627

#### No. 51490

EXHAUST MANIFOLD  
OEM: 3852347



### V8 S.B. (1991 & Up)

#### No. 51332

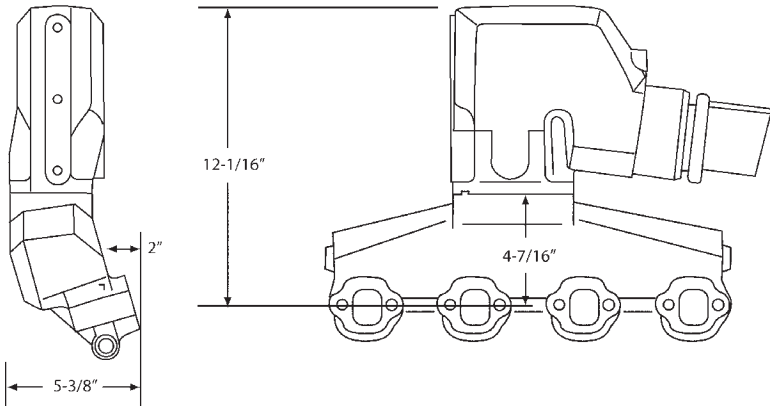
EXHAUST ELBOW - EFI (Port)  
OEM: 3855271

#### No. 51334

EXHAUST ELBOW - EFI (Starboard)  
OEM: 3855269

#### No. 51490

EXHAUST MANIFOLD  
OEM: 3852347



### V8 B.B. (1991 & Up)

#### No. 51330

EXHAUST ELBOW (Standard)  
OEM: 3857944

#### No. 51337

EXHAUST ELBOW (Hi-Rise)  
OEM: 3862627

#### No. 51500

EXHAUST MANIFOLD  
OEM: 3861459

